

# OPERATING INSTRUCTIONS AND PARTS LIST

PRICE \$.25

# Ariens

## 26" ROTARY MOWER ATTACHMENT

### MODEL NO. 910011

AFTER SERIAL NUMBER 000001.

### ⚠ SAFETY MESSAGE ⚠

The product for which you have requested information or replacement parts is not a current product. The replacement models incorporate product designs, safety features, safety instructions or warnings which represent the latest "State Of The Art" developments. For your safety and those around you please contact your nearest Ariens/Gravely Dealer for a demonstration of the current product safety provisions and features.



RMA-72

## WARRANTY

Ariens Company hereby warrants to the original retail purchaser all new products of its own manufacture to be free from defects in material and workmanship, for a period of one year except when used commercially or for rental purposes in which case the warranty period shall be for 45 days from date of original purchase, subject to the following exceptions:

1. Engine parts and service must be handled by the respective engine manufacturer.
2. A 90 day warranty will be extended on belts, tires, throttle controls, or any other items subject to normal wear:
3. No warranty is extended to any equipment which has been misused, neglected or damaged by accident. Ariens Company shall not be responsible for damage in transit or handling by any common carrier, and under no circumstances, within or without the warranty period, will the Company be liable for damages for loss of use, or damages resulting from delay, or any consequential damages.

It is the consumer's responsibility for: (1) Normal maintenance as greasing, gear case lubrication, minor adjustments, etc. (2) Transportation of any Ariens product to and from the place the warranty work is performed.

Ariens warranty WILL NOT APPLY to any products repaired or altered by anyone other than an Authorized Service Distributor or Authorized Service Dealer.

Any transportation charges incurred on any equipment claimed defective, which shall include time and expense of the distributor or dealer for pickup, and/or return of the equipment, shall be borne by the purchaser.

Ariens Company reserves the right to incorporate any changes in design into its products without obligation to make such changes on units previously manufactured.

### DISCLAIMER OF FURTHER WARRANTY

There are no warranties, expressed or implied, oral or written, in fact or by operation of law, nor shall there be a warranty or merchantability, on any of the company's products except as otherwise expressly stated above. In no event shall the company be liable for any indirect, special or consequential damages such as loss of anticipated profits or other economic loss in connection with or arising out of the existence, furnishing, functioning, or the ultimate consumer's use of any products supplied by the company.

**ARIENS COMPANY**



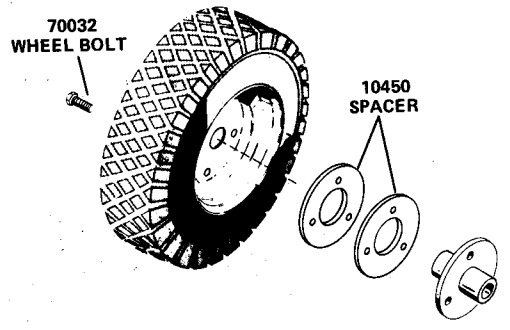
**BRILLION, WIS. 54110**

WITH 12.5/4.50 - 6 Tires INSTALL  
 THE SPACER Between wheel and Flange  
 UNITS WITH  
 0/3.50 - 6 TIRES INSTALL  
 SPACES Between wheel and hub.

ASSEMBLY INSTRUCTIONS FOR ROTARY MOWER

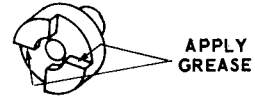
1. TRACTOR

Remove the tractor wheels and insert two of the 10450 Spacers between each wheel and tractor axle flange. Secure with the 70032 Wheel Bolts supplied with rotary mower.



3. JAW CLUTCH

Grease the jaw clutch each time the unit is attached to the tractor or every 25 hours of operation. Use Ariens Moly Lithium grease.

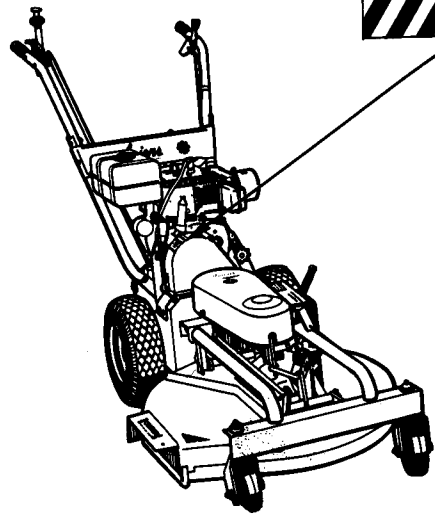
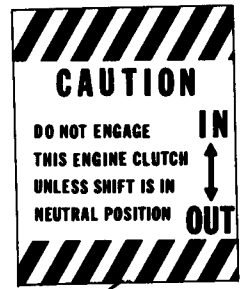
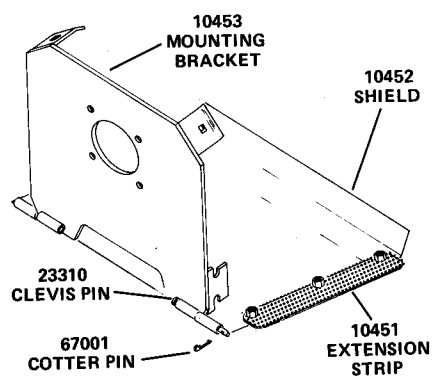


4. DECAL

Safety regulations require that the "CAUTION" decal enclosed must be installed on the tractor at the location indicated. See illustration below. BE SURE TO INSTRUCT THE CUSTOMER ON THE SAFETY INSTRUCTIONS IN THIS MANUAL. Impress on the customer the importance of reading these operating instructions thoroughly.

2. ROTARY MOWER

The rotary mower is assembled except for the 10452 Shield which must be positioned on the 10453 Mounting Bracket. Secure it in place with two 23310 Clevis Pins and 67001 Cotter Pins. This shield is designed to drag between the tractor wheels and protect the operator from any object that might be thrown out the rear of the mower. In order to be sure the shield is effective, loosen the carriage bolts and nuts securing the 10451 Extension Strips to the shield. Adjust the strips to just clear the tires on each side. Retighten the carriage bolts.



# ROTARY MOWER INSTRUCTIONS

## 1. ATTACHING

### CAUTION

Remove the carburetor heater box and install the air cleaner. Refer to detailed instructions packed with the attachment.

a. Hook the notches in the lower portion of the rotary mower frame over the rod passing through the forward section of the tractor frame.

b. Tip the two sections together, being sure the jaw clutch on the mower and tractor are lined up.

c. Insert and tighten the two 3/8-inch flange whizlock screws through the top of the tractor frame and into the mower frame.

## 2. OPERATION

a. Tractor. For operation, see section on OPERATION in the instruction book packed with the tractor.

b. Mower.

(1) To start mower, engage mower clutch as indicated on the belt guard above the lever. Move tractor clutch lever to the IN position gently. See Figure 1.

(2) To stop mower, move clutch lever to the OUT position. To disengage tractor unit, move tractor clutch lever to OUT position.

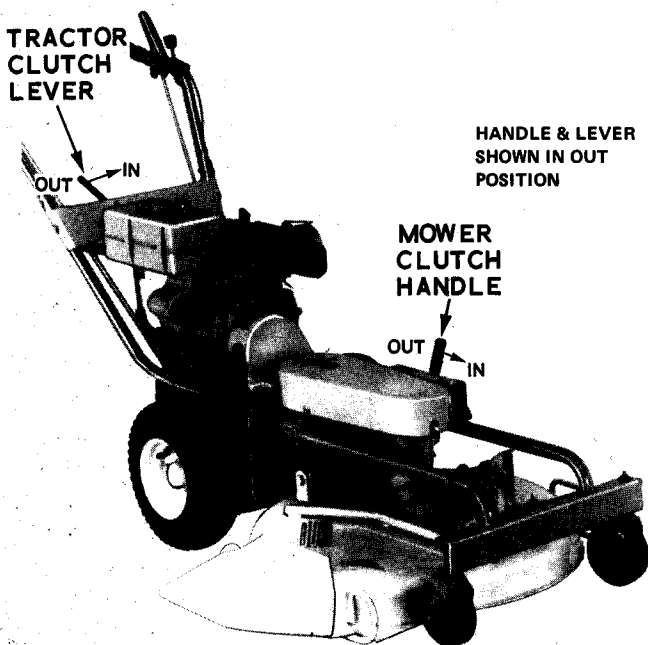


Figure 1

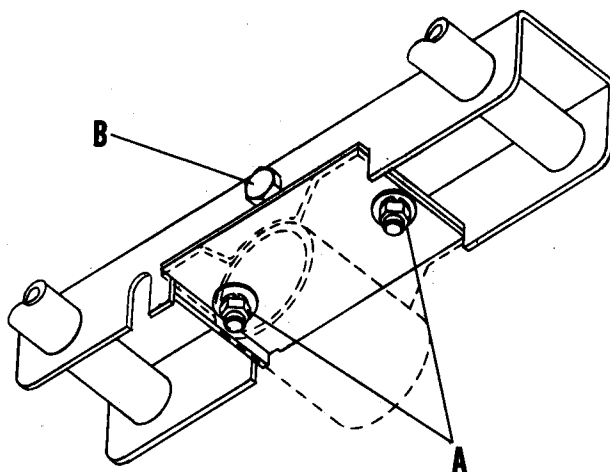


Figure 2

## 3. CUTTING HEIGHT ADJUSTMENT

Cutting height is adjusted by depressing the button in the cutting height adjustment lever and moving the lever to the desired cutting height position.

## 4. BELT ADJUSTMENT (See figure 1)

The mower drive belt has been adjusted at the factory to perform satisfactorily in the five intermediate cutting positions. When operating in the extreme high and extreme low cutting positions, it is advisable to loosen the belt to insure declutching of the blade. Belt adjustment is made as follows:

a. Loosen the two 3/8-inch hex nuts (A, figure 2) located on the underside of the rear frame channel, approximately one full turn.

b. Turn the 3/4-inch hex (B, figure 2) on the front (center) of the rear frame channel to obtain the tension desired. Turn clockwise to loosen belt and counterclockwise to tighten.

c. Tighten the 3/8-inch nuts loosened in step a.

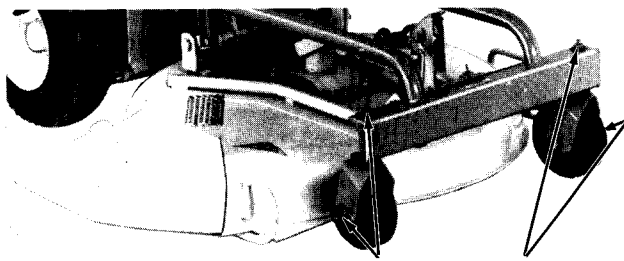
## 5. LUBRICATION

a. Apply grease to jaw coupling each time unit is attached or every 25 hours of use.

b. Lubricate spline shaft on which mower driven sheave is located. This sheave is to be free to move up and down when the height of the mower is moved up and down.

c. Gear Case. Check gear case oil level approximately every 8 hours of operation. Oil level should be within 1/4-inch of filler hole. Drain and refill gear case every 100 hours of operation or once each season. Use Ariens special gear lubricant L-2 (approximately 8 ounces).





**GREASE FITTINGS**  
Figure 3 (four places)

d. Caster Wheel Assembly. Grease fittings are provided on the top of the caster wheel swivel shaft and on the axle bolt. Grease these four fittings approximately every 8 hours of operation.

## 6. BELT REPLACEMENT

- a. Remove belt guard.
- b. Move mower to middle height position.
- c. Loosen belt fingers and swing clear.
- d. Remove belt.

e. Replace belt and reposition belt fingers so that in the engaged position of the clutch, the fingers on the "tight" side of the belt just clear the belt and the fingers on the idler side are 3/16-inch from the belt.

## SAFETY PRECAUTIONS

Improper use of riding lawn mowers, garden tractors and attachments on the part of the operator can result in injury. To reduce this possibility, give complete and undivided attention to the job at hand.

This mower conforms to the requirements of USA Standard B71.1-1968.

1. Know the controls and how to stop quickly - **READ THE OPERATOR'S MANUAL.**

2. Do not allow children to operate vehicle. Do not allow adults to operate it without proper instruction.

3. Do not carry passengers. Keep children and pets a safe distance away.

4. Clear work area of objects which might be picked up and thrown.

5. Disengage all attachment clutches and shift into neutral before attempting to start engine.

6. Disengage power to attachments and stop engine before leaving operator position.

7. Disengage power to attachment and stop engine before making any repairs or adjustments.

8. Disengage power to attachments when transporting or not in use.

9. Take all possible precautions when leaving vehicle unattended; such as disengaging power-take-off, lowering attachments, shifting into neutral, setting parking brake, stopping engine and removing key.

10. Do not stop or start suddenly when going uphill or downhill. Mow up or down the face of steep slopes; never across the face.

11. Reduce speed on slopes and in sharp turns to prevent tipping or loss of control. Exercise extreme caution when changing direction on slopes.

12. Stay alert for holes in terrain and other hidden hazards.

13. Use care when pulling loads or using heavy equipment.

A. Use only approved drawbar hitch points.

B. Limit loads to those you can safely control.

C. Do not turn sharply. Use care when backing.

D. Use wheel weights when suggested in owner's manual.

14. Watch out for traffic when crossing or near roadways.

15. When using any attachments, never direct discharge of material toward bystanders nor allow anyone near vehicle while in operation.

16. Handle gasoline with care -- it is highly flammable.

A. Use approved gasoline container.

B. Never remove cap or add gasoline to a running or hot engine or fill fuel tank indoors. Wipe up spilled gasoline.

C. Open doors if engine is run in garage -- exhaust fumes are dangerous. Do not run engine indoors.

17. Keep vehicle and attachments in good operating condition and keep safety devices in place.

18. Keep all nuts, bolts, and screws tight to be sure equipment is in safe working condition.

19. Never store equipment with gasoline in the tank inside a building where fumes may reach an open flame or spark.

20. Allow engine to cool before storing in any enclosure.

21. To reduce fire hazard, keep engine free of grass, leaves or excessive grease.

22. Vehicle and attachments should be stopped and inspected for damage after striking a foreign object and the damage should be repaired before restarting and operating the equipment.

23. Do not change engine governor settings or overspeed engine.

24. When using vehicle with mower:

A. Mow only in daylight or in good artificial light.

B. Never make a cutting height adjustment while engine is running if operator must dismount to do so.

C. Shut engine off when removing grass catcher and/or unclogging chute.

D. Check blade mounting bolts for proper tightness at frequent intervals.

25. Check grass catcher bags frequently for wear or deterioration. Replace with new bags for safety protection.

# MODEL 710003 GRASS CATCHER

FOR TRAC-TEAM 26" ROTARY MOWER ATTACHMENT

(Model 910011 Serial Number 000001 and up)

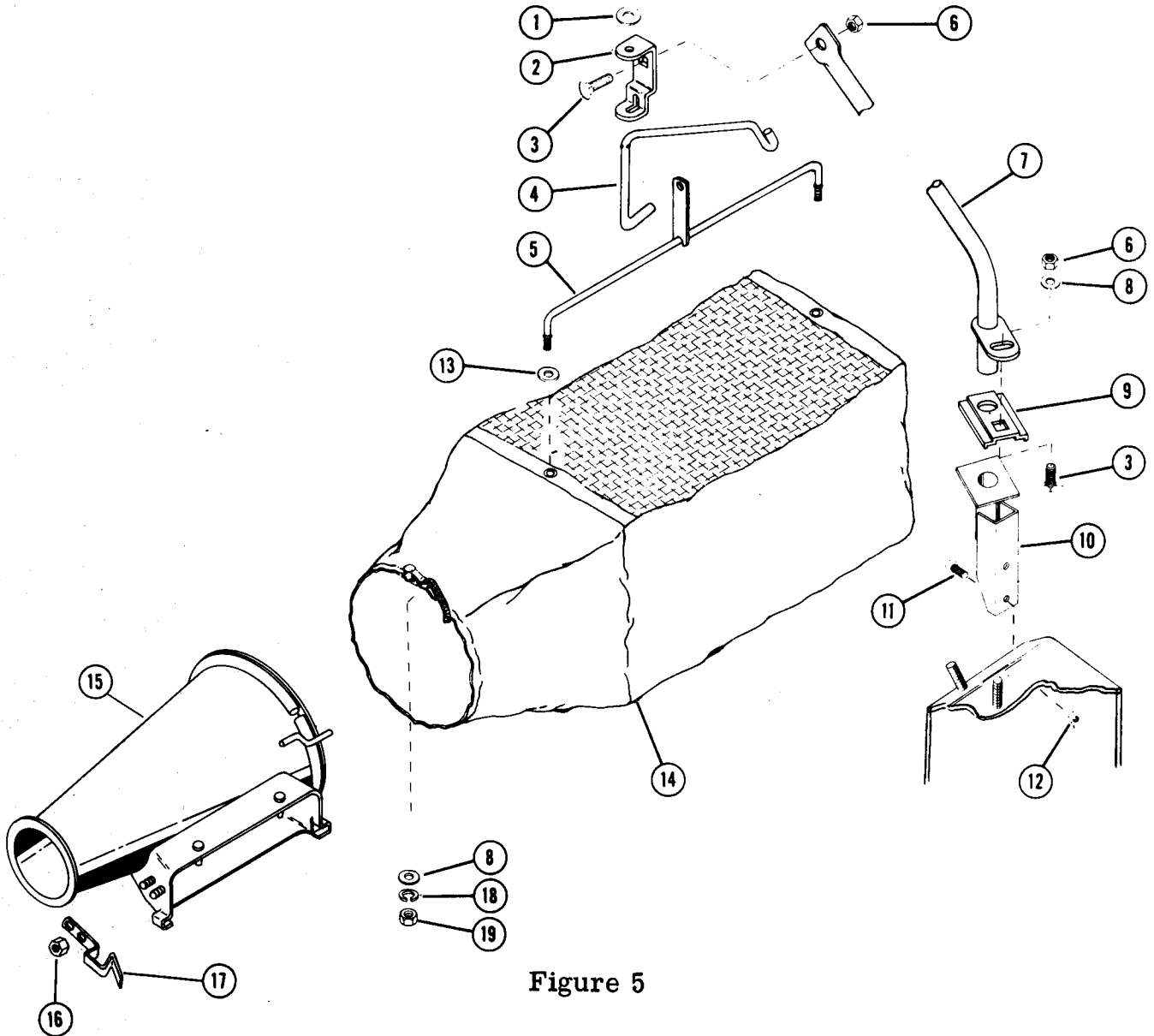
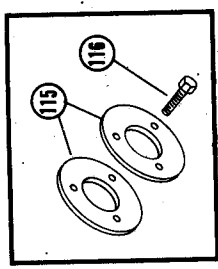
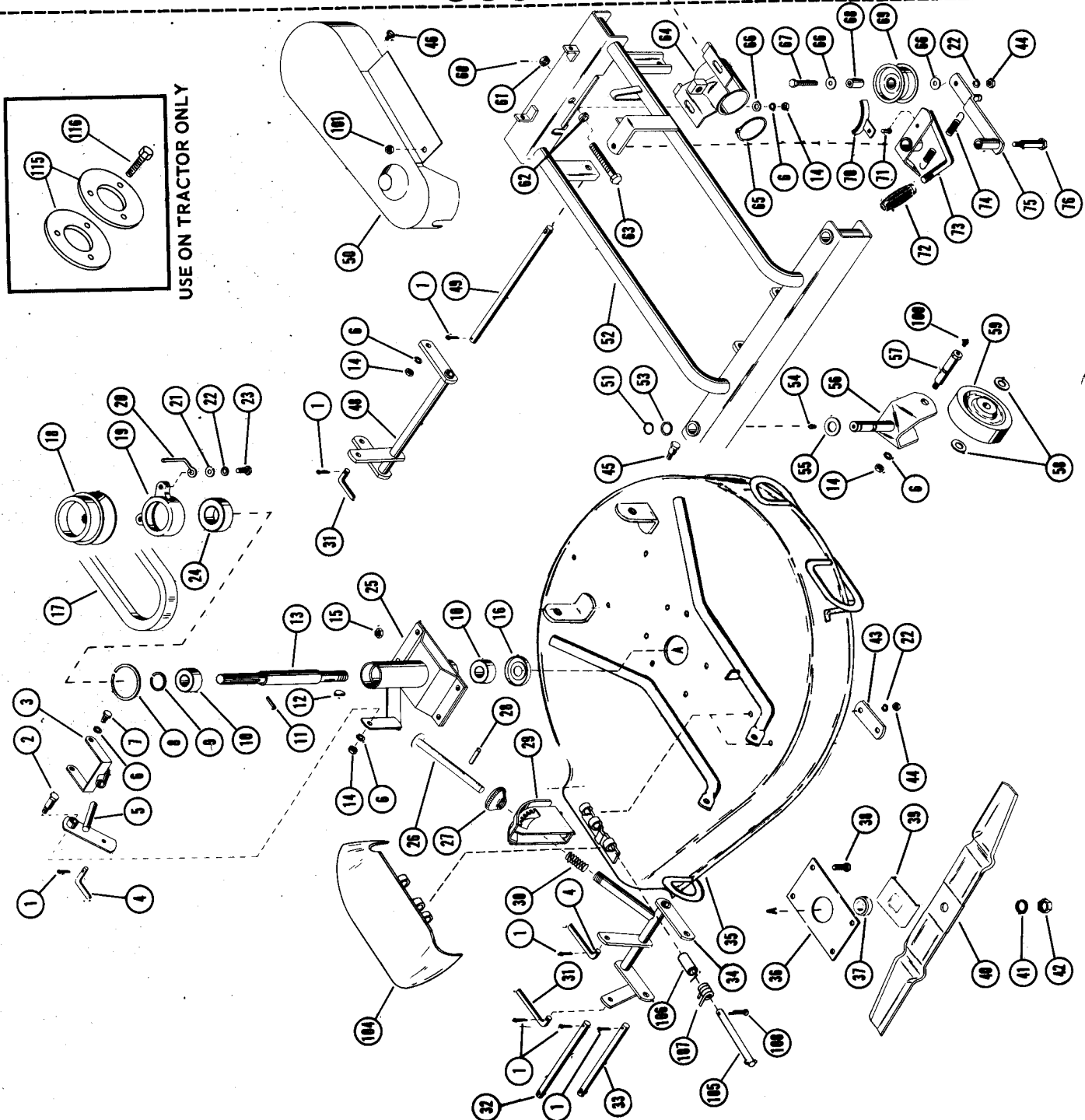
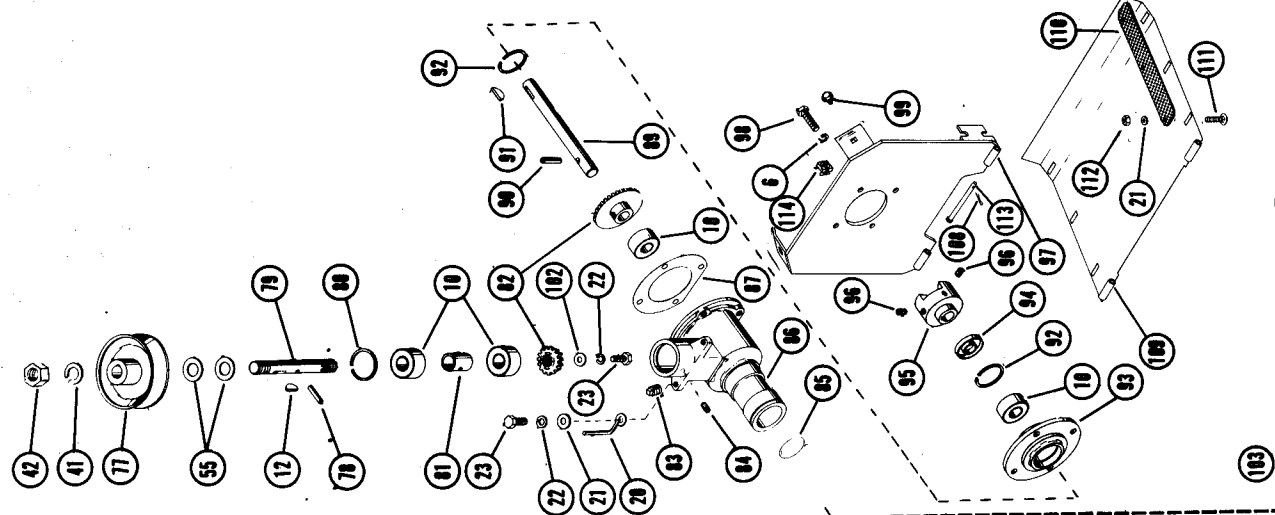


Figure 5

REF. PART NO.	NO.	DESCRIPTION	NO. REQ'D.	REF. PART NO.	NO.	DESCRIPTION	NO. REQ'D.
1	64057	Washer 21/64" ID x .625 OD x .062	1	12	65042	Locknut 5/16"-18	2
2	3341	Stabilizer Bracket	1	13	64002	Washer 5/16" Wrought	2
3	62010	Carriage Bolt 3/8"-16 x 3/4"	2	14	25215	Bag	1
4	3342	Rod	1	15	25211	Catcher Funnel	1
5	3180	Cross Bar	1	16	65056	Whizlock Nut 1/4"-20	2
6	65039	Locknut 3/8"-16	2	17	3185	Flat Spring	1
7	3345	Support Bar	1	18	63004	Lockwasher 3/8" Std.	2
8	64043	Washer 3/8" SAE	3	19	65018	Nut 3/8"-16 Hex	2
9	3344	Channel Plate	1		78054	Patent Pending Label (Not Illus.)	1
10	10534	Bracket	1		78085	Caution Label (Not Illus.)	1
11	59002	Cap Screw 5/16"-18 x 5/8"	2				



USE ON TRACTOR ONLY



ORDER PART NUMBER  
510005 TO RECEIVE ENTIRE  
GEAR CASE ASSEMBLY

# PARTS LIST ROTARY MOWER

REF. PART NO.	DESCRIPTION	NO. REQ'D.	REF. PART NO.	DESCRIPTION	NO. REQ'D.	REF. PART NO.	DESCRIPTION	NO. REQ'D.
1	67004 Cotter Pin 1/8 x 1	7	43	3108 Reinforcing Strip	1	85	77006 Expansion Plug	1
2	3028 Shoulder Bolt	1	44	65015 Nut 5/16-18 Hex Plated	3	86	10503 Gear Case	1
3	10521 Yoke	1	45	3316 Shoulder Bolt	2	87	10506 Gasket	1
4	10524 Link Rod	1	46	70009 Flange Whizlock Screw 5/16-18 x 1/2	2	89	10504 Gear Shaft	1
5	10523 Yoke Lift lever	1	48	10514 Rear Lift Adapter	1	90	58017 Roll Pin 5/16 x 1-1/4	1
6	63004 Lockwasher 3/8-.145 x .115	13	49	10515 Rear Adapter Pin	1	91	66001 Woodruff Key #11	1
7	10522 Screw Pin	2	50	10531 Belt Guard	1	92	57034 Snap Ring	2
8	57046 Snap Ring	1	51	57042 Snap Ring	2	93	10505 Bearing Flange	1
9	57020 Snap Ring	1	52	10449 Frame	2	94	56050 Seal	1
10	54073 Ball Bearing	6	53	64041 Washer 7/54 I.D. x 1" O.D. x .032	2	95	1038 Tiller Driving Jaw	1
11	58009 Roll Pin 1/8 x 1	1	54	10353 Zerk Fitting 1/4-28	2	96	60012 Setscrew 5/16-18 x 3/8 Socket Head	2
12	66003 Woodruff Key #9	2	55	64064 Washer 1.375 x .755 x .125	4	97	10453 Mounting Bracket	1
13	10512 Mower Spindle	1	56	10409 Caster Fork	2	98	59005 Cap Screw 3/8-16 x 1-1/4	4
14	65018 Nut 3/8-16 Hex Full Plated	7	57	10532 Axle Bolt	2	99	70031 Flange Whizlock Screw 3/8-16 x 1/2	4
15	65039 Nut 3/8-16 Locknut Plated	4	58	64039 Washer 1" O.D. x .630 I.D. x .062	4	100	10354 Hydraulic Drive Fitting	2
16	3419 Bearing Slinger	1	59	10417 Caster Wheel	2	101	65001 Nut 3/8-16 Hex Jam Plated	1
17	72045 Belt	1	60	58023 Roll Pin 3/32 x 3/4	1	102	64044 Washer 7/8 x 21/64 I.D. x 7 Ga.	1
18	10519 Spindle Sheave	1	61	10530 Collar	1	103	510005 Gear Case Assembly	1
19	10520 Bearing Housing	1	62	10529 Spacer	1	104	25204 Chute	1
20	10161 L. H. Belt Finger	4	63	10528 Adjustment Screw	1	105	25205 Hinge Pin	1
21	64007 Washer 1/4 Wrought Plated	11	64	10502 Swivel Bracket	1	106	22029 Bushing	1
22	63003 Lockwasher 5/16-.130 x .097	8	65	57045 Snap Ring	1	107	83072 Spring	1
23	59022 Cap Screw 5/16-18 x 3/4 H.H.	5	66	64002 Washer 5/16 Wrought Plated	4	108	67001 Cotter Pin	3
24	54077 Ball Bearing	1	67	59073 Cap Screw 5/16-18 x 1-3/4 H.H.	1	109	10452 Shield	1
25	10511 Mower Spindle Housing	1	68	2026 Spacer	1	110	10451 Extension Strip	2
26	10517 Height Control Plunger	1	69	73068 Pulley	1	111	62017 Carriage Bolt 1/4-20 x 5/8 Round Head	6
27	10248 Shift Ball	1	70	3062 PTO Brake Shoe	1	112	65040 Locknut 1/4-20	6
28	58007 Roll Pin 1/4 x 1-1/4	1	71	68016 Rivet 1/4 x 1/2 Round Head	1	113	23310 Clevis Pin	2
29	3107 Height Adjustment Quadrant	1	72	75004 Grip	1	114	70026 Nut	4
30	83009 Spring	1	73	10526 Brake Lever	1	115	10450 Spacer	4
31	10525 Link Rod	1	74	83004 Spring	1	116	70032 Wheel Bolt	6
32	3105 Adapter Pin	1	75	10527 Idler Arm	1			
33	10518 Front Adapter Pin	1	76	3016 Shoulder Bolt	1	78002	Labels and Decals (Not Illustrated)	1
34	10516 Front Lift Adapter	1	77	73058 Pulley	1	78003	Height Quadrant Label	1
35	10448 Mower Pan	1	78	58006 Roll Pin 1/4 x 1	1	78004	Mower (IN-OUT) Label	1
36	3117 Plate	1	79	10508 Pinion Shaft	1	78007	Logo - Decal	1
37	3169 Retainer Hub	1	80	602982 Snap Ring	1	78030	Discharge Caution Label	1
38	59004 Cap Screw 3/8-16 x 1 H.H.	4	81	10509 Bearing Spacer	1	78160	Attachment Label	1
39	3170 Blade Tray	1	82	10303 Bevel Pinion (Pairs Only)	1	610986	Air Cleaner Kit (Not Illustrated)	1
40	3165 Mower Blade	1	83	1138 Bevel Gear (Pairs Only)	1	78212	Safety Label	1
41	63008 Lockwasher 3/4-.234 x .188	2	84	60029 Pipe Plug 3/8 Square Head	1			
42	65025 Nut 3/4-10 Hex Jam Plated	2			1			

**AUTHORIZED ARIENS SERVICE DISTRIBUTORS**

Arizona 85019 - Phoenix  
 California 94402 - San Mateo  
 Colorado 80232 - Denver  
 Florida 32203 - Jacksonville  
 Florida 33146 - Coral Gables  
 Florida 33902 - Fort Myers  
 Georgia 30301 - Atlanta  
 Georgia 31501 - Waycross  
 Idaho 83301 - Twin Falls  
 Idaho 83706 - Boise  
 Illinois 61832 - Danville  
 Illinois 60622 - Chicago  
 Illinois 62959 - Marion  
 Indiana 46805 - Fort Wayne  
 Indiana 46268 - Indianapolis  
 Iowa 50701 - Waterloo  
 Kansas 67501 - Hutchinson  
 Kentucky 42240 - Hopkinsville  
 Kentucky 41005 - Burlington  
 Louisiana 71201 - Monroe  
 Maryland 21211 - Baltimore  
 Massachusetts 01745 - Fayville  
 Michigan 48723 - Caro  
 Michigan 48087 - Utica  
 Minnesota 55802 - Duluth  
 Minnesota 56085 - Sleepy Eye  
 Mississippi 39204 - Jackson  
 Missouri 65065 - Osage Beach  
 Montana 59401 - Great Falls  
 Nebraska 68467 - York  
 New Mexico 87107 - Albuquerque  
 New York 13201 - Syracuse  
 New York 14609 - Rochester  
 New York 12205 - Albany  
 New York 10538 - Larchmont  
 North Carolina 28201 - Charlotte  
 Ohio 43612 - Toledo  
 Ohio 44143 - Cleveland  
 Oklahoma 74354 - Miami  
 Oregon 97914 - Ontario  
 Pennsylvania 15066 - New Brighton  
 Pennsylvania 19103 - Philadelphia  
 South Carolina 29401 - Charleston  
 South Dakota 57102 - Sioux Falls  
 Tennessee 37202 - Nashville  
 Tennessee 37601 - Johnson City  
 Tennessee 37902 - Knoxville  
 Texas 77055 - Houston  
 Texas 75501 - Texarkana  
 Texas 75203 - Dallas  
 Texas 75701 - Tyler  
 Utah 84116 - Salt Lake City  
 Utah 84111 - Salt Lake City  
 Virginia 23230 - Richmond  
 Virginia 22150 - Springfield  
 Washington 98134 - Seattle  
 Washington 99220 - Spokane  
 Wisconsin 53178 - Sullivan  
 Wisconsin 54303 - Green Bay

Dealer's Wholesale Supply  
 Bob Randick Company  
 Mitchell Equipment Company  
 Florida Tractor Corporation  
 Moz-All of Florida  
 Sarlo Power Mowers, Inc.  
 Beck and Gregg Industries  
 Sam Monroe & Son  
 Hammond's Repair Center  
 House of Wheels  
 Conron, Inc.  
 James Chisholm & Sons  
 E. Blankenship & Company  
 Heine Turf Equipment Company  
 Kenney Machinery Corporation  
 Harnack Motor & Equipment  
 Hodisco, Inc.  
 Cayce Mill Supply  
 J. A. Stevens Mower Company  
 Howard Griffin, Inc.  
 Gourley's Inc.  
 R. E. Jarvis Company  
 Rex Binder Tractor Sales  
 Leisure Equipment Company  
 Halvorson, Inc.  
 Heyman's Company  
 Southern Seed Company  
 Crowell Distributing Company  
 Graham & Ross  
 Scott Hourigan Company  
 Albuquerque Chemical Company  
 Baldwin-Hall, Inc.  
 H. W. O'Neill & Associates, Inc.  
 ACA Outdoor Power Equip., Inc.  
 Ronconi Equipment Company  
 American Hardware & Equipment  
 Century Toro Distributors  
 MPE Sales, Inc.  
 Razor-West Distributing Co.  
 Andrews Seed Company  
 Wallace Equipment Company  
 S. P. Lumms Supply Company  
 Craven's Auto Electric Company  
 Ideal Yardware  
 Ernest Hardison Seed Company  
 Summers Hardware & Supply Co.  
 Tennessee Turf & Toro  
 Al's Wholesale Distributors  
 Hunter Power Saw Company  
 Marr Brothers Top Line Dist.  
 Miller's Power Saw Company  
 Boyd Martin Company  
 Ken Smith Company  
 Richmond Power Equipment Co.  
 Ronconi Equipment Company  
 Ed Short Company  
 Spokane McCulloch, Inc.  
 L. W. Meyer & Son  
 Van's Supply & Equipment

4040 West Whitton Avenue  
 147 - 17th Avenue - P. O. Box 5265  
 2384 S. Kingston  
 2575 West 5th Street - P. O. Box 2500  
 365 Greco Avenue  
 P. O. Box 1169  
 217 Luckie Street - P. O. Box 984  
 333 State Street  
 699 North Washington  
 1026 La Pointe Street  
 309 East Van Buren Street  
 2538 W. Chicago Avenue  
 704 West Main Street  
 5424 Industrial Road  
 8141 Zionville Road  
 728 Commercial  
 1217 West 4th Street  
 505 East 1st Street  
 1275 Petersburg Road  
 P. O. Box 136  
 3500 Sweet Air Street  
 Route 9  
 1264 East Caro Road  
 5260 Auburn Road  
 325 Lake Avenue South  
 Box 411  
 115 Wilmington  
  
 Box 2306  
 Box 248  
 1924 - 7th Street NW - P. O. Box 6311  
 P. O. Box 1245  
 410 North Goodman Street  
 72 Everett Road  
 615 Fifth Avenue  
 Box 2097  
 4409 Bennett Road  
 25850 Chardon Road  
 502 East Central - P. O. Box 390  
 580 South Oregon Street  
 Route 1 - Route 65  
 1917 Market Street  
 196 Meeting Street  
 321 West 12th  
 105-107 Broadway  
 Buffalo & Ashe Streets  
 200 East Jackson Street  
 6908 Long Point Road  
 P. O. Box 702  
 423 East Jefferson Street  
 P. O. Box 4130  
 1260 W. N. Temple  
 1040 South Main  
 1904 North Hamilton Street  
 P. O. Box 746  
 2450 Sixth Avenue South  
 Box 2906 - Terminal Annex  
  
 2640 South Ashland Avenue

**CANADA**

Alberta - Calgary  
 Alberta - Edmonton  
 British Columbia - New West  
 Westminster  
 Manitoba - Winnipeg  
 Nova Scotia - Halifax  
 Ontario - Burlington  
 Ontario - North Bay  
 Quebec - Ste. Foy

Rondel Distributors, Ltd.  
 Interprovincial Turf, Ltd.

Rotary Equipment Sales  
 Consolidated Turf Equipment  
 Wm. Stairs, Son & Morrow  
 Duke Lawn Equipment  
 Hilstad Distributors, Ltd.  
 Morin Equipment Company

113 - 42nd Avenue S.E.  
 12109 - 121 Avenue

P. O. Box 754  
 972 Powell Avenue  
 3667 Strawberry Hill  
 P. O. Box 5007  
 Box 447  
 2075 Branly