

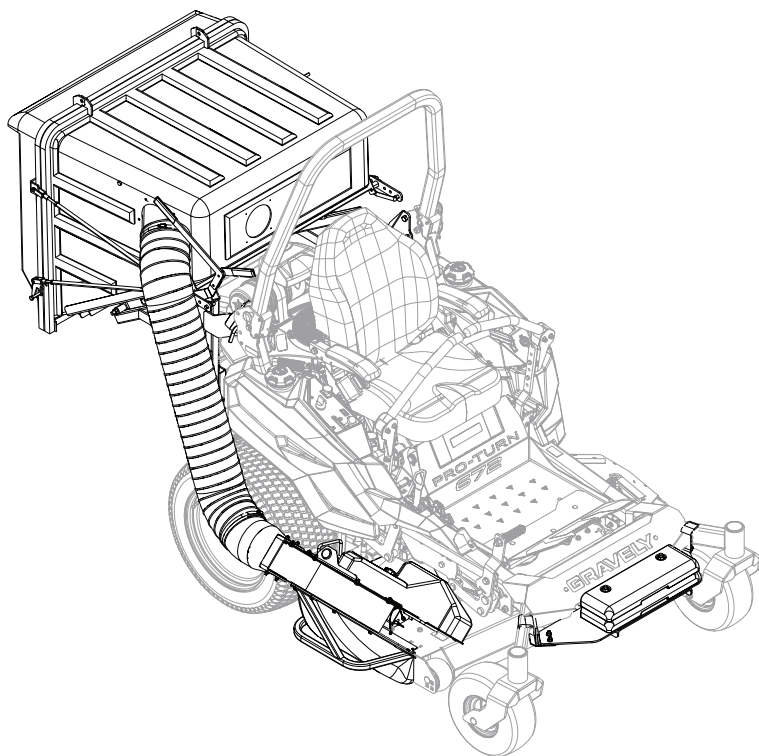
Pro-Turn 500 / 600 Dump From Seat Bagger

Operator's Manual
Manuel de l'utilisateur



Model

892054 – Dump From Seat Bagger
(SN 000400 +)



(EN) ENGLISH

(FR) FRANÇAIS

30156100 • 9/22

Printed in USA

TABLE OF CONTENTS

WELCOME	1
Register Your Product!	1
SAFETY	2
Practices & Laws	2
Required Operator Training	2
Safety Alert Symbol	2
Signal Words	2
Safety Decals	3
Safety Rules	5
ASSEMBLY	8
Removal	9
Install Bagger Mounts & Bumper	9
Assemble Bagger	10
Install Hose Adapter	11
Install Blower Assembly	12
Install Hex Belt	13
Install Hose	14
Install Front Weight Assembly	14
OPERATION	17
Before Each Use	17
Bagging	17
Unclogging Bagger	18
Operating Tips	18
REMOVAL	18
MAINTENANCE	19
Maintenance Schedule	19
ADJUSTMENTS	19
STORAGE	20
INSTALLATION KITS	20
TROUBLESHOOTING	21
SPECIFICATIONS	21
WARRANTY	22

WELCOME

Congratulations on your purchase and welcome to the Gravelly family! Every machine in the Gravelly lineup is designed for long-lasting and unsurpassed performance. We are confident your machine will be part of your family for many years to come.

Have Questions or Need Assistance?

www.gravelly.com

A parts manual for your unit is available for free download or purchase at www.gravelly.com.

Manual del operador español está disponible para su descarga gratuita o compra en www.gravelly.com.

REGISTER YOUR PRODUCT!

It is extremely important to register your product at time of purchase. Product registration activates the warranty and establishes a communication link from AriensCo.

Locate the model and serial number decal on your unit and register those numbers online at www.gravelly.com. See Figure 1 for decal location. Be aware that the original selling dealer may have already completed product registration on behalf of the original purchaser.

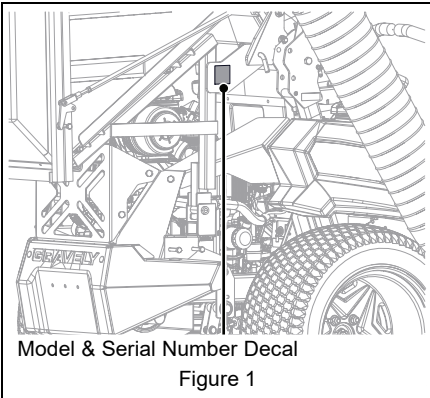


Figure 1

Record model number here.

Record serial number here.

MANUALS

Before operating or servicing the unit, carefully and completely read the manuals provided with the unit. They contain safety instructions and important information about unit controls.

The engine on this unit is covered by a separate manual. Refer to the engine manual for engine service recommendations. Contact the engine manufacturer for a replacement manual if necessary.

Your dealer must review important information in this manual with you before or upon delivery of the unit. It is your responsibility to read and understand all safety precautions and instructions in the manuals. If you do not understand or have difficulty following the instructions, contact your Gravelly dealer for assistance. To locate your nearest Gravelly dealer, go to www.gravelly.com.

DISCLAIMER

Gravelly reserves the right to discontinue, make changes to, and add improvements upon its products at any time without public notice or obligation. The descriptions and specifications contained in this manual were in effect at printing. Equipment described in this manual may be optional. Some illustrations may not be applicable to your unit.

SAFETY

Read these safety rules and follow them closely. Failure to follow these rules could lead to loss of control of unit, severe personal injury or death to you or bystanders, or result in damage to property or the unit.

PRACTICES & LAWS

Practice usual and customary safe working precautions. Learn applicable rules and laws in your area. Always follow the practices set forth in this manual.

REQUIRED OPERATOR TRAINING



Read and understand the Operator's Manual and decals on the unit. This information is for your safety and the proper use of your equipment.

Failure to follow these

instructions and warnings may cause death or serious injury. If you have purchased this product from an Gravelly dealer, the dealer can provide you with training.

Familiarize yourself and any other operators with all controls and the safe use of the features of this unit. If you loan, rent or sell this product to others, provide them with all manuals.

If you have any questions, please call our customer support line at 920-756-4688 or contact us at www.gravelly.com. Do not use this equipment if, after reading the Operator's Manual and the on-board decals, you have any questions about the safe use of this product.



WARNING: AVOID INJURY.

This cutting machine is capable of amputating body parts and throwing objects. Failure to observe the safety instructions in the manuals and on decals could result in serious injury or death.

ALWAYS disengage blades, stop unit and engine, remove key, set parking brake and allow moving parts to stop before leaving operator's position.

SAFETY ALERT SYMBOL



This is the safety alert symbol. It means:

- **ATTENTION!**
- **YOUR SAFETY IS INVOLVED!**

When you see this symbol:

- **BECOME ALERT!**
- **OBEY THE MESSAGE!**

SIGNAL WORDS

The safety alert symbol above and signal words below are used on decals and in this manual. Read and understand all safety messages.

1. Danger



WARNING: Indicates an **IMMINENTLY HAZARDOUS SITUATION!** If not avoided, **WILL RESULT** in death or serious injury.

2. Warning



WARNING: Indicates a **POTENTIALLY HAZARDOUS SITUATION!** If not avoided, **COULD RESULT** in death or serious injury.

3. Caution



WARNING: Indicates a **POTENTIALLY HAZARDOUS SITUATION!** If not avoided, **MAY RESULT** in minor or moderate injury. It may also be used to alert against unsafe practices.

4. Notice

NOTICE: Indicates information or procedures that are considered important but not hazard related. If not followed, property damage could result.

5. Important

IMPORTANT: Indicates general reference information worthy of special attention.

SAFETY DECALS

The safety decals on your unit are visual reminders of the important safety information in this manual. All messages on your unit must be fully understood and carefully followed. Safety decals on the unit are explained below.

Always replace missing or damaged safety decals. Replacement decal information is in the parts manual for your unit. Decals can be ordered from your dealer.

See Figure 2 for safety decal locations.

Safety Decal Locations

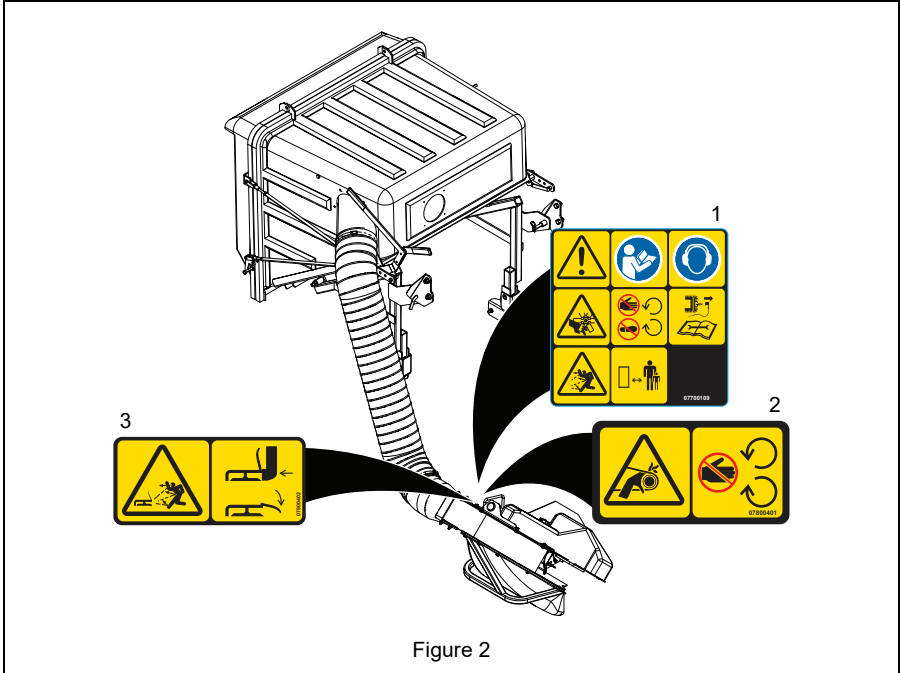




Figure 2

Safety Decal Descriptions


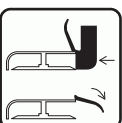
1. DANGER

	DANGER!
	Read and understand the operator's manual before operating unit.
	Wear appropriate hearing protection.
	AVOID INJURY. Stay clear of rotating parts.
	Keep hands away from all rotating or moving parts.
	Disconnect spark plug before servicing or making adjustments to unit.
	Discharge Hazard - NEVER direct discharge toward people, pets or property. Thrown objects can cause injury or damage.
	Keep children and people away from unit during operation.

2. AMPUTATION HAZARD

	DANGER!
	Read and understand the operator's manual before operating unit.

3. DANGER!

	Discharge Hazard - NEVER operate unit without discharge chute in operating position. Thrown objects can cause injury or damage.
	DO NOT operate mower unless all guards are in operating position or bagger is attached.

SAFETY RULES

The following safety instructions are based on B71.1, B71.4 specifications of the American National Standards Institute and ISO 5395 in effect at the time of production.

Safe Practices for Ride-On Mowers

If used improperly, this machine is capable of amputating hands and feet and throwing objects. Failure to observe the following safety instructions could result in serious injury or death. Use only for purposes intended as set forth in the Operator's Manual. Other use is improper and may cause serious injury or death.

General Information
Read, understand, and follow instructions and warnings in this manual and on the machine, engine and attachments.
Only allow operators, who are responsible, trained, familiar with the instructions, and physically capable to operate the machine.
DO NOT carry passengers and keep people or pets away from the mowing area.
DO NOT operate the machine while physically or mentally impaired, feeling tired, ill or under the influence of alcohol or drugs.
Follow the manufacturer's recommendation for wheel weights or counterweights.
DO NOT touch parts which are hot. Allow parts to cool.

Preparation Before Operating
Inspect unit before each use for missing or damaged decals and shields, correctly operating safety interlock system, ROPS and deterioration of grass catchers. Replace or repair as needed.
Clear the operating area of all objects which could be thrown by or interfere with operation of the machine.
Keep the area of operation clear of all bystanders, particularly small children. Stop the machine and attachment(s) if anyone enters the area
DO NOT operate the machine without the entire grass catcher, discharge chute, or other safety devices in place and functioning properly. Check frequently for signs of damage, wear or deterioration and replace as needed.

NEVER tamper with safety devices. Check their proper operation regularly. NEVER do anything to interfere with the intended function of a safety device or to reduce the protection provided by the safety device.
Check parking brake operation frequently. Adjust and service as required.
Wear appropriate personal protective equipment such as safety glasses, hearing protection, and substantial footwear. DO NOT mow barefoot or while wearing sandals.

Operating
Improper use of power equipment can cause serious permanent injury or death to the operator or a bystander. Understand: <ul style="list-style-type: none">• How to operate all controls• The functions of all controls• How to STOP in an emergency• Braking and steering characteristics• Turning radius and clearances If the operator or the mechanic cannot read the manual, it is the owner's responsibility to explain it to them. Manuals are available in other languages at www.ariens.com .
Only run the engine in well ventilated areas. Exhaust gases contain carbon monoxide, an odorless deadly poison.
Only operate the machine in daylight or good artificial light.
Avoid holes, ruts, bumps, rocks and other hazards. Uneven terrain could overturn the machine, or cause operator to lose their balance, footing and/or control of the mower.
DO NOT put hands or feet near rotating parts or under the machine. Keep clear of the discharge opening at all times.
Avoid slippery surfaces. ALWAYS be sure of your footing.
Stop engine before removing grass catcher or unclogging chute.
DO NOT direct discharge material toward anyone. Avoid discharging material against a wall or obstruction. Material may ricochet back toward the operator. Stop the blade(s) when crossing gravel surfaces. DO NOT mow into roads or across sidewalks.

DO NOT leave a running machine unattended. ALWAYS park on level ground, disengage the attachment, set parking brake, stop engine and remove key (if applicable) before leaving the operator's position.

DO NOT mow in reverse unless absolutely necessary. ALWAYS look down and behind before and while backing.

Lightning can cause severe injury or death. If lightning is seen or thunder is heard in the area, DO NOT operate the machine; seek shelter.

If you strike a foreign object, stop and inspect the machine. Repair, if necessary, before restarting.

ALWAYS check overhead and side clearances carefully before operation. Keep in mind that your mower deck may be wider than your track width.

Children Specific

Tragic accidents can occur if the operator is not alert to the presence of children. Children are often attracted to the machine and the mowing activity. NEVER assume that children will remain where you last saw them.

Keep children out of the operating area and under the watchful care of a responsible adult other than the operator.

Do not carry children, even with the blade(s) shut off. Children could fall off and be seriously injured or interfere with safe machine operation. Children who have been given rides in the past could suddenly appear in the mowing area for another ride and be run over or backed over.

DO NOT allow children under the age of 18 to operate any outdoor power equipment.

Slope Specific

Slopes are a major factor related to accidents. Operation on slopes requires extra caution. If you feel uneasy on a slope DO NOT mow it. Use the parking brake for emergency stops.

DO Not operate on slopes of more than 15°.

Do not mow within 1.2 M (4 feet) of a drop off. Do not mow within 1.2 M (4 feet) of a pond or other waterway.

The primary hazard of slope operation is loss of control and/or roll over.

Mow up and down slopes, NEVER across. Exercise caution when changing direction on slopes. Use caution while operating near dropoffs.

Avoid mowing wet grass. Wet surfaces can cause a loss of traction and control.

DO NOT operate machine under any condition where traction, steering, or stability is in question. Tires could slide even if the wheels are stopped.

Always keep the machine in gear when going down slopes. Do not coast downhill.

Avoid starting and stopping on slopes. Avoid making sudden changes in speed or direction. Make turns slowly and gradually.

Use extra care while operating machine with a grass catcher or other attachment(s). They can affect the stability of the machine.

Fire and Fuel Specific

Extinguish all cigarettes, cigars, pipes and other sources of ignition.

Use only an approved fuel container.

DO NOT remove fuel cap or add fuel with the engine running or while hot.

DO NOT refuel indoors or in enclosed spaces.

DO NOT store the machine or fuel container, or refuel, where there is an open flame, spark, or pilot light such as on a water heater or other appliance.

If fuel is spilled, DO NOT attempt to start the engine and avoid creating any source of ignition until fuel vapors have dissipated.

To help prevent fires: keep machine free of grass, leaves, or other debris build up; clean up oil or fuel spillage and remove any fuel soaked debris; allow engine to cool before storing.

Use extra care in handling gasoline and other fuels. They are flammable and vapors are explosive.

Hauling

Use a single full-width ramp for loading and unloading a machine for transport. Secure with appropriate straps.

Towing

Follow the manufacturer's recommendation for weight limits for towed equipment and towing on slopes.

Rollover Protection Structure (ROPS)

The ROPS is an integral safety device. Do not remove or alter the ROPS
--

Keep a folding ROPS in the raised and locked position and use the seat belt when operating the machine.

Lower a folding ROPS temporarily only when absolutely necessary. Do not wear the seat belt when folded down. There is no rollover protection when a folding ROPS is in the down position.

Frequently inspect the ROPS and the seatbelt for damage. Replace a damaged ROPS. Do not repair or alter

Service

Keep machine in good working order. Replace worn or damaged parts.
--

Use caution when servicing blades. Wrap the blade(s) or wear gloves. Replace damaged blades. DO NOT repair or alter blade(s).

Disconnect spark plug wire(s) and the negative battery cable before making any repairs.

Use only attachments recommended by AriensCo that are appropriate to your use and can be used safely in your application.

The use of non-genuine replacement parts or accessories could adversely affect machine operation and safety.
--

DO NOT change engine governor setting or overspeed the engine.
--

ASSEMBLY



WARNING: AVOID INJURY.
Read and understand entire
Safety section before
proceeding.

Remove contents from carton carefully. Place bagger assembly and frame parts on cardboard to help prevent scratches.

Package Contents:

Check the contents of your kit for the parts listed below. Also see Figure 3.

Item	Description	Qty	Part Number
1	Bagger Assembly	1	09443900
2	Right Frame Bracket	1	21576531
3	Left Frame Bracket	1	21576534
4	1/2" x 2 1/2" Hex Bolt	4	05901712
5	56" Bagger Hose	1	05284100
6	Blower Assembly	1	59112500
7	Right Frame Mount Bracket	1	21576530
8	Left Frame Mount Bracket	1	21576533
9	3/8" x 2 1/2" Hex Bolt	4	05901812
10	3/8" Center Locking Flange Nut Alternate: 3/8"-16 Nylock Nut	6	06500901 06500831
11	Weight Support Bracket	1	09480451
12	1/2"-13 x 1 1/4" Round Head Square Neck Bolt	2	06200325
13	Right ROPS Bracket	1	21576529
14	Left ROPS Bracket	1	21576532
15	1/2" x 1" Hex Bolt	4	05901715
16	1/2"-13 Center Locking Flange Nut Alternate: 1/2"-13 Nylock Nut	8	06500902 06500830
17	Lower Hanger Bracket	2	09480751

Item	Description	Qty	Part Number
18	Left Weight Plate Hanger Bracket	1	09480851
19	Right Weight Plate Hanger Bracket	1	09480551
20	52"-60" Weight Support Plate	1	09480651
21	72" Weight Support Plate	1	09487151
22	3/8"-16 x 1 1/4" Round Head Square Neck Bolt	4	06200415
23	3/8"-16 Top Locking Flange Nut	4	06500822
24	Cast Iron Weight	2	00172000
25	1/2"-13 x 5" Round Head Square Neck Bolt	2	06200318
26	1/2"-13 Top Locking Flange Nut	4	06500907
27	Hose Adapter	1	00452200
28	5/16"-18 x 1" Round Head Square Neck Bolt	4	06200237
29	5/16"-18 Top Locking Flange Nut	4	06500904
30	7" Bagger Hose Clamp	2	21576400
31	9/16" Cotter Pin	2	06711900
32	1/2" x 3" Bent Pin	2	21576535
33	Front Dump Handle	1	21576424
34	Rear Dump Handle	1	21576425
35	5/16"-18 x 1 1/4" Hex Bolt	2	05901803
36	5/16"-18 Center Locking Flange Nut Alternate: 5/16"-18 Nylock Nut	2	06500840 06500820
37	Base Dump Handle	1	21576423
38	3/8"-16 x 1" Hex Bolt	2	05901711
39	Blower Guard Weldment	1	09394851

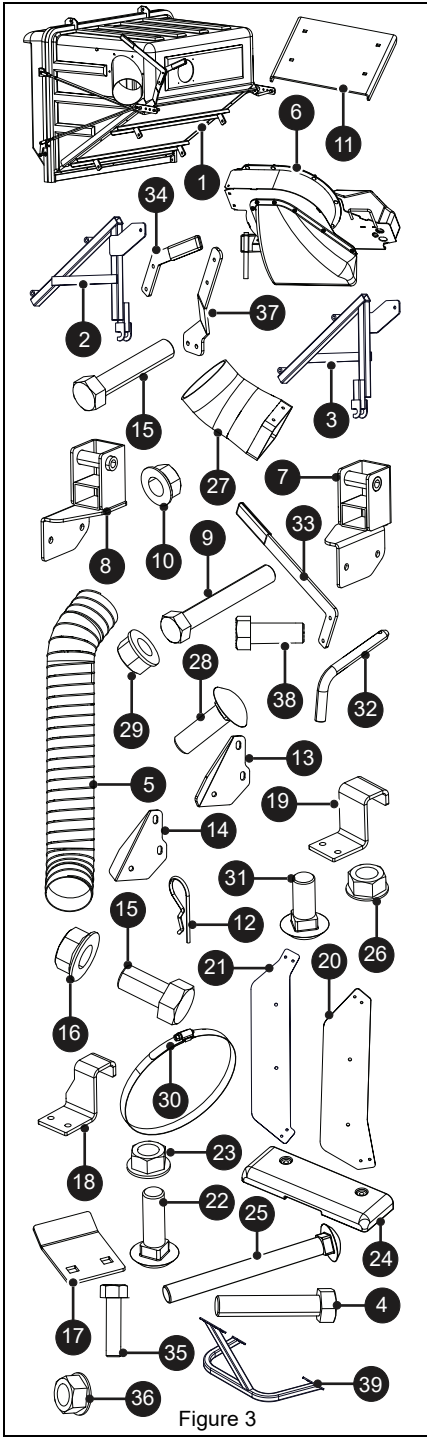


Figure 3

IMPORTANT: Bagger requires deck size-specific completion kit for installation. See *Installation Kits* on page 20.

REMOVAL

1. Remove and discard two hex bolts, two washers, and two locking flange nuts from each corner of bumper. See Figure 4.

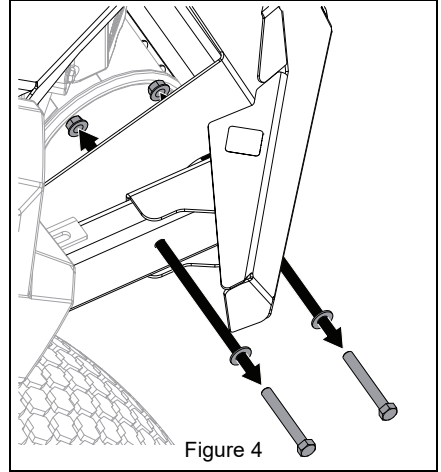


Figure 4

INSTALL BAGGER MOUNTS & BUMPER

1. Insert left bagger mount (item 8) and right bagger mount (item 7) onto top of frame rails. See Figure 5.

IMPORTANT: Rear wrap hardware may need to be loosened to properly align and install mounts in step 2.

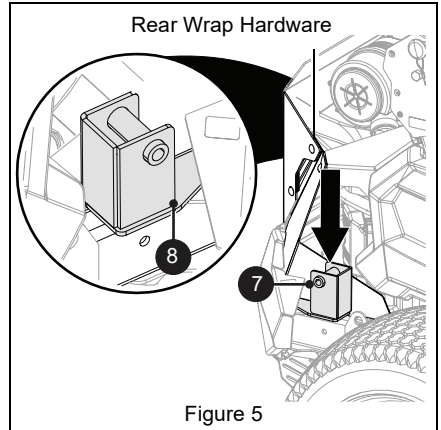
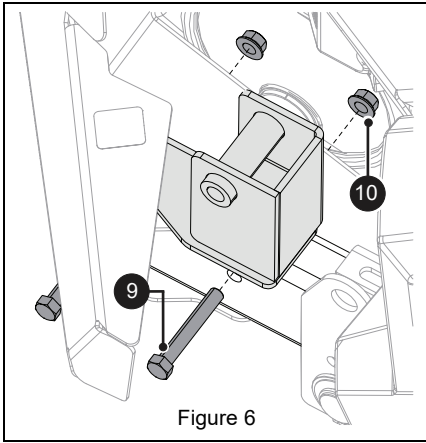


Figure 5

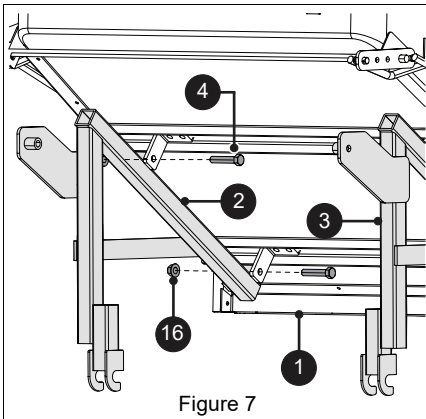
- Position rear bumper on frame. Secure bumper and bagger mounts to frame rail with four $3/8" \times 2 1/2"$ hex bolts (item 9) and four $3/8"$ locking flange nuts (item 10). See Figure 6.



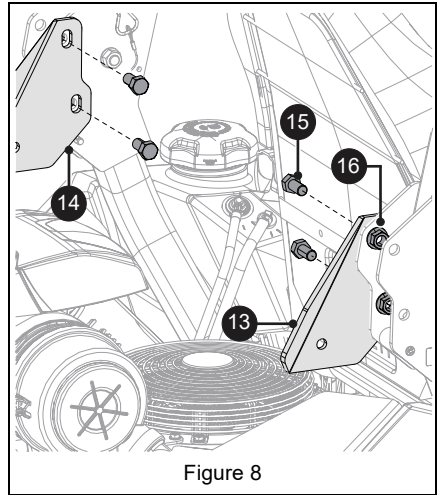
- Tighten all hardware.

ASSEMBLE BAGGER

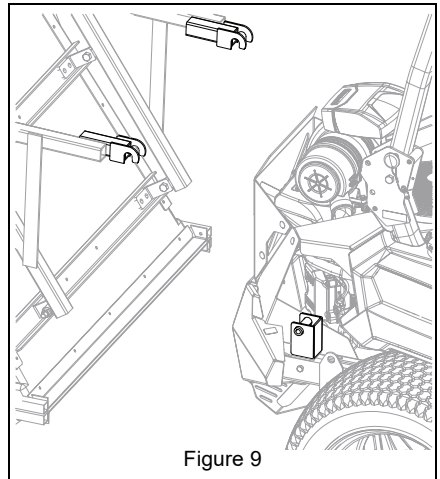
- Install right frame bracket (item 2) to bagger assembly (item 1) with two $1/2" \times 2 1/2"$ hex bolts (item 4) and two $1/2"$ center locking flange nuts (item 16). Repeat for left frame bracket (item 3). See Figure 7.



- Install right ROPS bracket (item 13) to inside of ROPS using two $1/2" \times 1"$ hex bolts (item 15) and two $1/2"$ center locking flange nuts (item 16). Repeat for left ROPS bracket (item 14). DO NOT fully tighten hardware. See Figure 8.



- Place bagger assembly on the ground behind the mower. Align post ends with mount brackets. See Figure 9.



- Using two people or a hoist, position post ends into mount brackets and rotate bagger assembly toward ROPS. See Figures 10 and 11.
- Insert bent pins (item 32) through ROPS and front brackets. Secure with cotter pins (item 31). Ensure that brackets are properly aligned:
 - Move ROPS and front brackets up or down to align pin holes, if necessary.

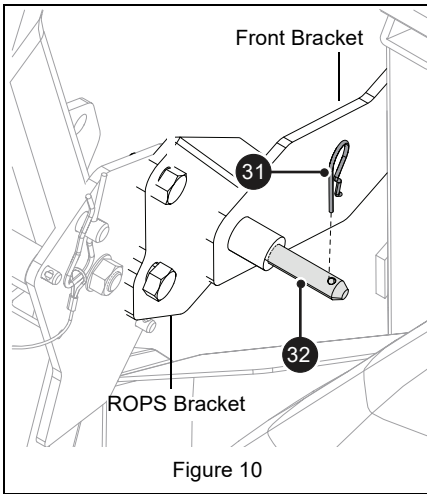


Figure 10

- If gap exists between ROPS and front brackets, loosen four 3/8" hex nuts on side frame and adjust frame to remove gap. Repeat on opposite side.

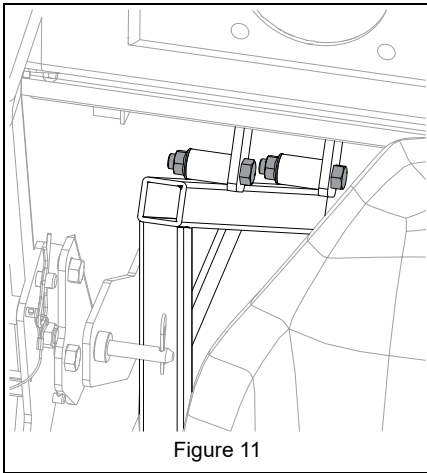


Figure 11

6. Tighten ROPS bracket and side frame hardware.

See Figure 12.

7. Secure base handle (item 37) to bagger assembly using two 3/8" x 1" hex bolts (item 38) and two 3/8" center locking flange nuts (item 10).
8. Secure front handle (item 33) and rear handle (item 34) to base handle using two 5/16" x 1 1/4" hex bolts (item 35) and two 5/16" center locking flange nuts (item 36).

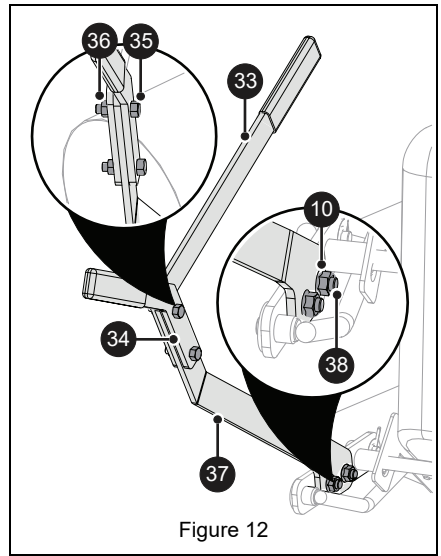


Figure 12

INSTALL HOSE ADAPTER

1. Install hose adapter (item 27) and secure with four 5/16" x 1" round head square neck bolts (item 28) and four 5/16" top locking flange nuts (item 29). Bolts are installed from the inside with the nuts on the outside. See Figure 13.

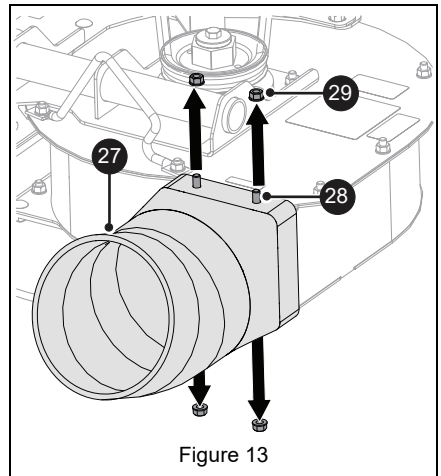


Figure 13

INSTALL BLOWER ASSEMBLY



CAUTION: Ensure blower assembly covers the discharge chute opening.

NOTICE: Install baffle before installing blower assembly. See *Installation Kits* on page 20.

1. Remove and retain two round head square neck bolts and two center locking flange nuts securing chute to deck. Remove discharge chute and retain for operation without bagger. See Figure 14.

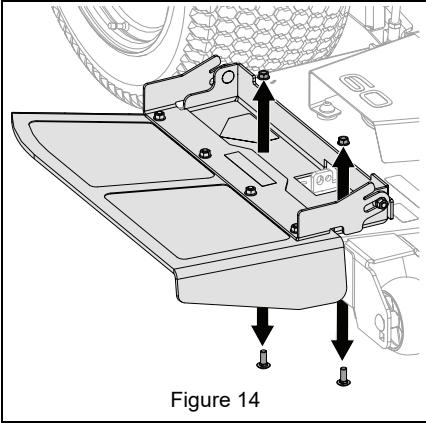


Figure 14

2. Remove belt cover. Retain for operation without bagger. See Figure 15.

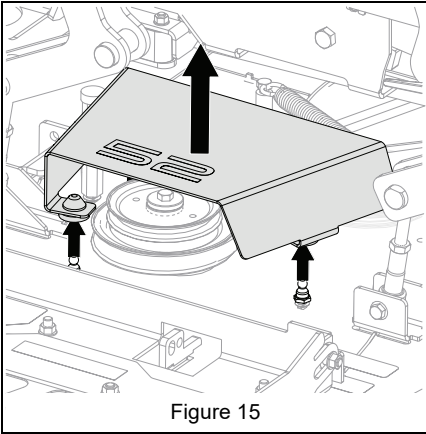


Figure 15

3. *52" and 60" decks only:* Remove tapping screw. Retain for use without bagger. See Figure 16.

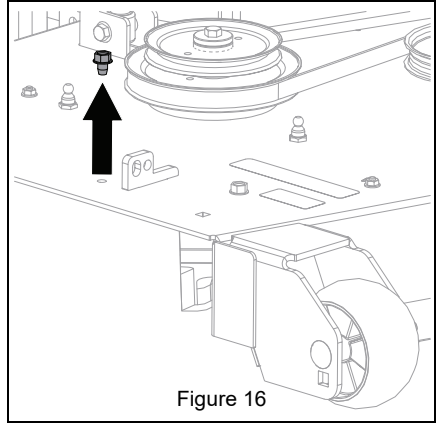


Figure 16

4. Install bagger completion kit components. Refer to Bagger Completion Kit Instruction Sheet for installation instructions.
5. Remove and retain four of eight top locking flange nuts securing bolts to blower plenum. DO NOT remove bolts. See Figure 17.

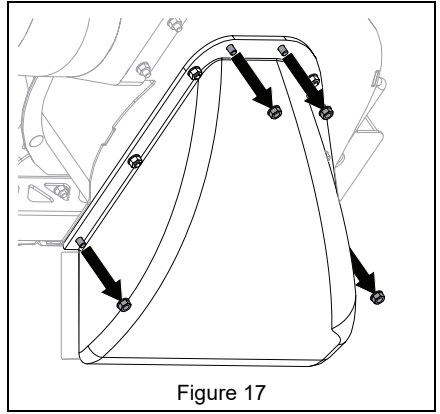


Figure 17

6. Position blower guard on plenum (item 39) and secure with flange nuts removed in step 5. See Figure 18.

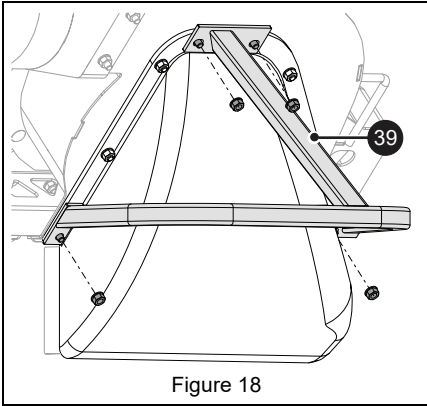


Figure 18

7. Insert discharge chute pin through mounting hole and position blower assembly (item 6) at discharge chute opening. See Figure 19.

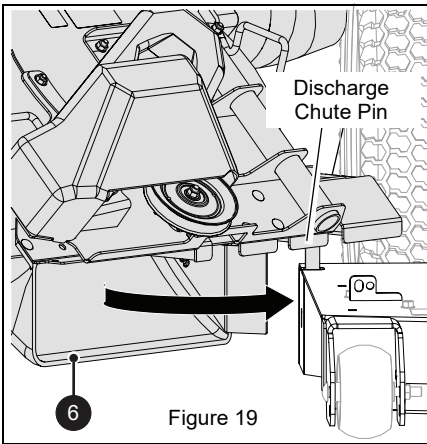


Figure 19

8. Install pin through mower deck bracket. See Figure 20.

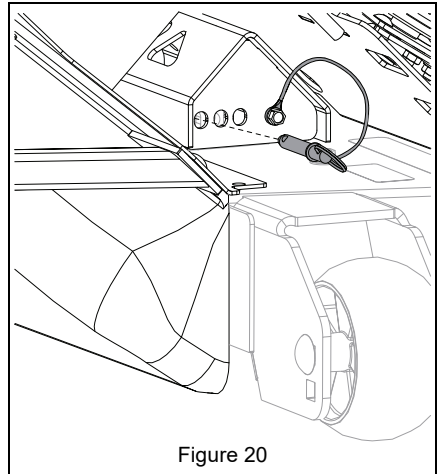


Figure 20

INSTALL HEX BELT

1. Remove retaining knob and washer from blower cover. Remove cover and retain all parts for reinstallation. See Figure 21.

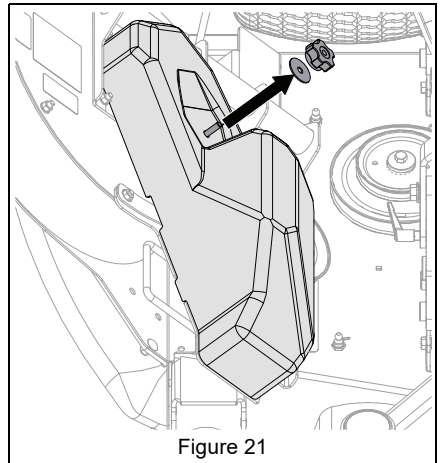


Figure 21

- Place blower belt tensioner in the non-tensioned position. See Figure 22.

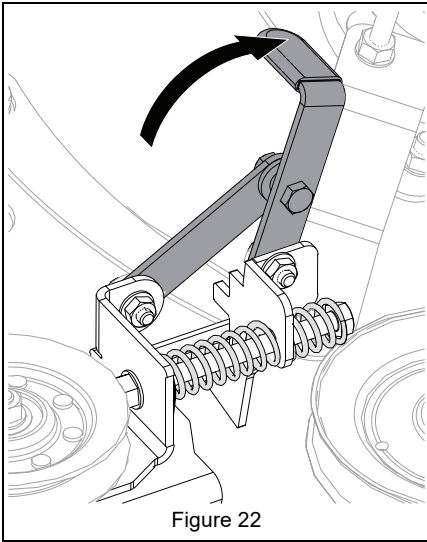


Figure 22

- Install hex belt onto blower and double pulley in the following order:

See Figure 23.

- Around split pulley
- Around front idler pulley (back side of belt should contact back idler pulley)
- Around upper pulley of double pulley

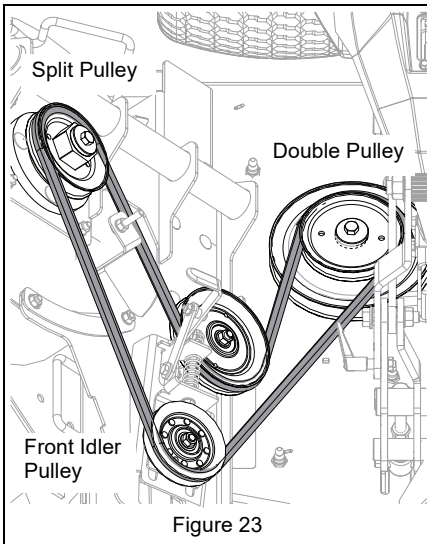


Figure 23

- Return belt tensioner to the tensioned position.
- Install right belt cover. Refer to Bagger Completion Kit Instruction Sheet for installation instructions. See *Installation Kits* on page 20.
- Reinstall blower belt cover.

INSTALL HOSE

- Place mower deck in lowest position. See Figure 24.
- Install hose clamps (item 30) on each end of the hose.
- Install one end of hose (item 5) onto hose adapter.
- Install opposite end of hose onto bagger assembly.
- Tighten hose clamps.

NOTICE: Hose must remain secured at all mower deck heights.

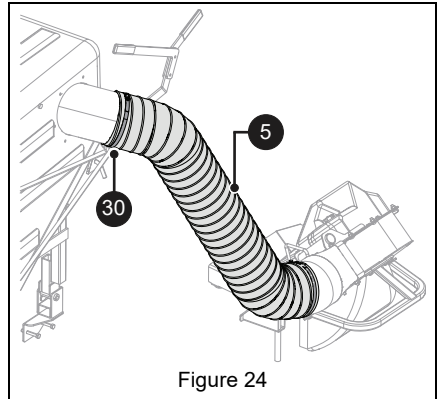


Figure 24

INSTALL FRONT WEIGHT ASSEMBLY

- Remove and retain two round head square neck bolts, two center locking flange nuts, and two or three tapping screws securing front bumper to frame. Remove and retain bumper. See Figure 25.

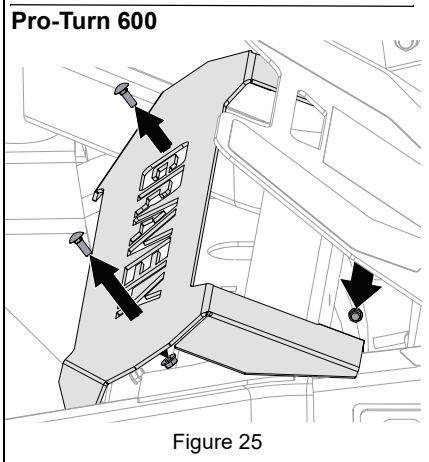
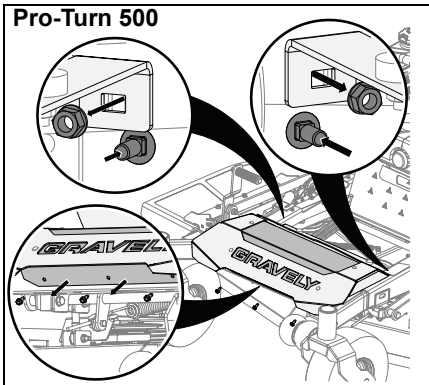


Figure 25

See Figures 26 and 27.

2. Position weight support bracket (item 11) below frame crossmember and align rear holes in bracket (holes closest to bracket edge) with holes in crossmember.
3. Secure bracket to crossmember with two 1/2" x 1 1/4" round head square neck bolts (item 12) and two 1/2" top locking flange nuts (item 26). Insert bolts from bottom of bracket. DO NOT fully tighten hardware.

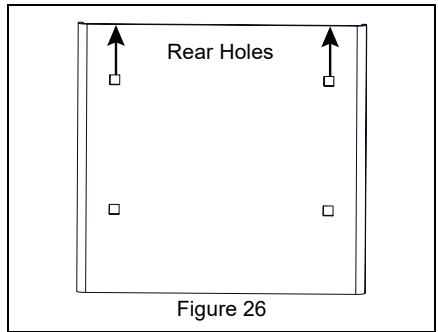


Figure 26

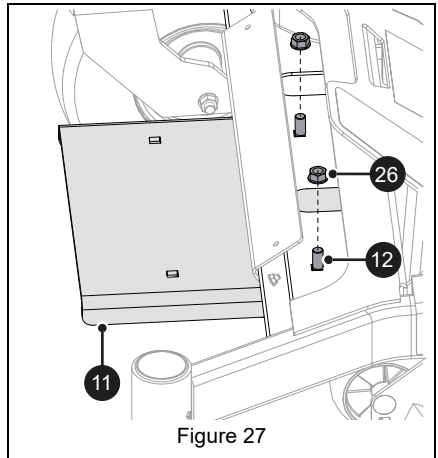


Figure 27

See Figure 28.

4. Position left weight plate hanger bracket (item 18) and right weight plate hanger bracket (item 19) over frame rails.
5. Position 52"-60" weight support plate (item 20) or 72" weight support plate (item 21) over hanger brackets.

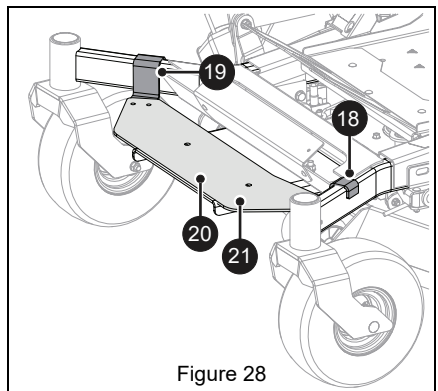


Figure 28

See Figure 29.

6. Position lower hanger brackets (item 17) below hanger weight plate brackets on each side of unit.
7. Align weight plate and hanger bracket holes.
8. Secure lower hanger brackets to front weight assembly with two round head square neck bolts (item 22) and two top locking flange nuts (item 23). Insert bolts from bottom of lower hanger bracket. DO NOT fully tighten hardware.

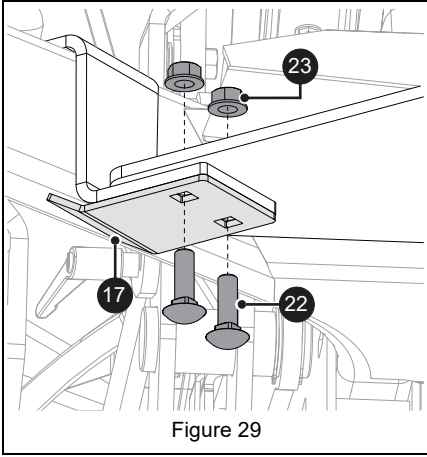


Figure 29

9. Secure two cast iron weights (item 24) to front weight assembly using two round head square neck bolts (item 25) and two top locking flange nuts (item 26). Insert bolts from bottom of weight plate bracket. See Figure 30.
10. Tighten all hardware used to mount front weight assembly.

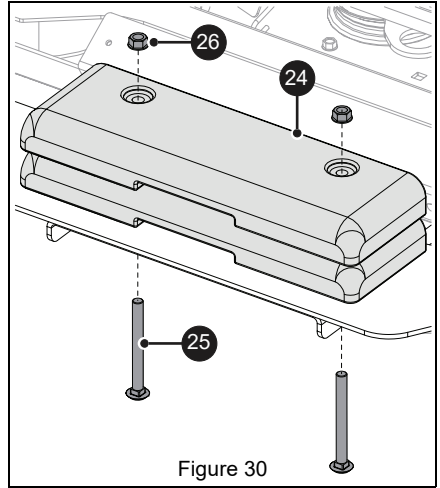


Figure 30

11. Reinstall front bumper using original hardware removed in step 1. See Figure 25.

OPERATION



WARNING: AVOID INJURY.
Read and understand entire *Safety* section before proceeding.

NOTICE: Bagger completion kits must be installed with bagger prior to operation. See *Installation Kits* on page 20.

NOTICE: Bagger assembly adds length to mower. When turning, be conscious of your surroundings and distance to avoid the bagger assembly hitting objects causing potential bagger and property damage not covered under warranty.

BEFORE EACH USE

1. Check bagger parts for wear or damage. Replace **ONLY** with Gravely original service parts before operating.
2. Ensure counterweights are installed.
3. Ensure all hardware is tight.

IMPORTANT: Check retaining knob on blower cover often and tighten as needed.

4. Remove any grass buildup from bagger parts.
5. Ensure hose is installed correctly.
6. Ensure bagger is installed and bagger door is closed and securely latched. See Figure 32.

BAGGING

Starting

1. Start engine and engage PTO according to unit Operator's Manual.
2. Set throttle to full speed.
3. Choose a slow ground speed.

Stopping

1. Disengage PTO.
2. Stop unit according to unit Operator's Manual.

Emptying Bagger

If bagger stops collecting grass clippings or grass clippings are visible in the viewing window, bagger is likely full. See *Check Viewing Window* on page 17.

1. Disengage PTO and wait for all moving parts to stop.
2. Rotate handle forward to empty grass from bagger. See Figure 32.

3. Rotate handle rearward to close bagger. See Figure 31.

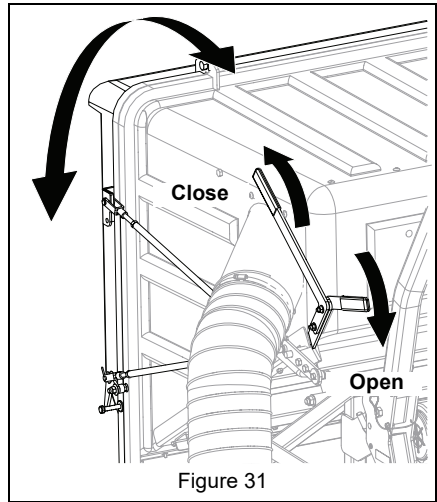
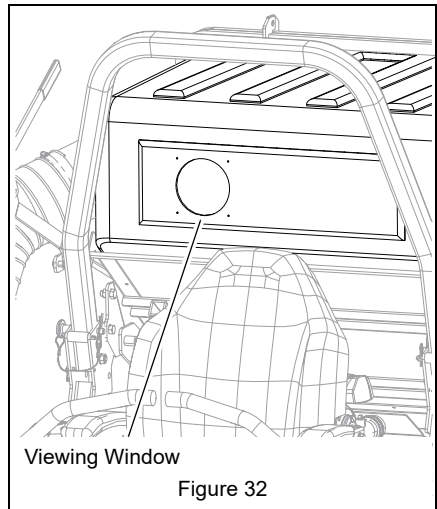


Figure 31

Check Viewing Window

1. Check viewing window to determine if bagger needs to be emptied (see *Emptying Bagger* on page 17). See Figure 32.



Viewing Window

Figure 32

UNCLOGGING BAGGER



WARNING: MOVING PARTS can cut or amputate body parts. NEVER attempt to clear blower assembly while engine is running.

ALWAYS stop engine, remove key, and wait for moving parts to stop.

Sharp edges can cut. Movement of parts can cut off fingers or a hand. Wrap blade(s), wear sturdy gloves and use extreme caution when working near blades or impeller.



WARNING: PINCH POINT! Use extreme caution when unclogging blower assembly. Impeller can cut or pinch your hand, even when not in operation. DO NOT place hands in blower assembly.

If hose or blower assembly clogs, stop forward motion and allow unit to clear itself. If unit will not clear itself, unclog the hose and/or blower assembly manually as instructed below.

1. Stop engine and remove ignition key. Wait for all moving parts to stop.
2. Remove hose from bagger and blower assembly.

NOTICE: Perform steps 3 and 4 if clog is in the hose:

3. Remove clogged grass.
4. Reinstall hose.

NOTICE: Perform steps 6 and 7 if clog is in blower assembly.



WARNING: Blades rotate when impeller rotates. Impeller rotates when blades rotate. Block blades to prevent rotation before proceeding.

5. Clear grass from blower assembly.
6. Reinstall hose.

OPERATING TIPS

- Cut grass when it is dry.
- Cut grass in two passes when cutting thick, long, or wet grass. Make the first cut higher than desired. Make the second cut at desired height.
- Always use full throttle when bagging.

REMOVAL



CAUTION: Bagger assembly will rotate backward when pins are removed. Support bagger assembly before removing pins.

1. Disconnect hose from bagger.

IMPORTANT: Ensure bagger is empty before disconnecting hose. See *Emptying Bagger* on page 17.

2. Remove pins from ROPS brackets and rotate bagger rearwards. Lift bagger arms off rear frame mounts. See Figure 33.

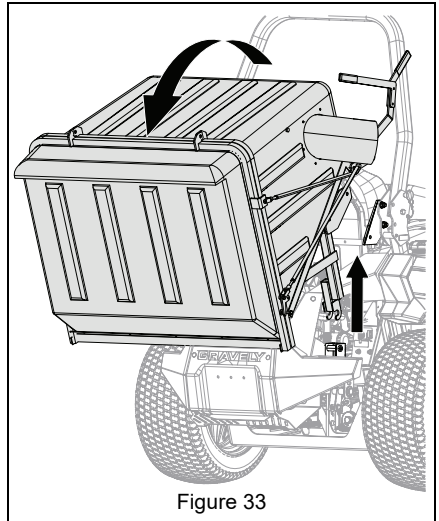


Figure 33

MAINTENANCE



WARNING: AVOID INJURY.
Read and understand entire
Safety section before
proceeding.

MAINTENANCE SCHEDULE

Service Performed	Each Use	Every 10 hrs.
Check Fasteners	•	
Inspect Bagger Parts	•	
Clean Unit	•	
Check Hex Belt		•*
*Check hex belt tension after first two hours of use.		

Check Fasteners

IMPORTANT: Ensure all hardware is tight before use. Ensure belt cover retaining knobs are tight.

Inspect Bagger Parts

Before each use, inspect bagger for abrasions or structural damage. Replace any worn or damaged parts.

Clean Unit

Clean bagger before and after each use.

Check Hex Belt

Check hex-belt tension and wear after initial first two hours of use and every 10 hours thereafter. Replace if worn or deteriorated.

Replacing Hex Belt

1. Remove belt cover.
2. Disengage belt tensioner.
3. Remove belt from double pulley.
4. Remove old hex belt.
5. Install new hex belt on blower assembly pulley.
6. Route new hex belt onto double pulley.
See *Install Hex Belt* on page 13.

ADJUSTMENTS



WARNING: AVOID INJURY.
Read and understand entire
Safety section before
proceeding.

Linkage Adjustment

1. Rotate bagger handle forward (open position) to relieve tension on linkage. See *Emptying Bagger* on page 17.
- See Figure 34.
2. Remove and retain cotter pins from rod ends.
 3. Remove and retain pins from rod ends.
 4. Rotate tensioners:
 - clockwise to increase door holding tension.
 - counter-clockwise to decrease door holding tension.

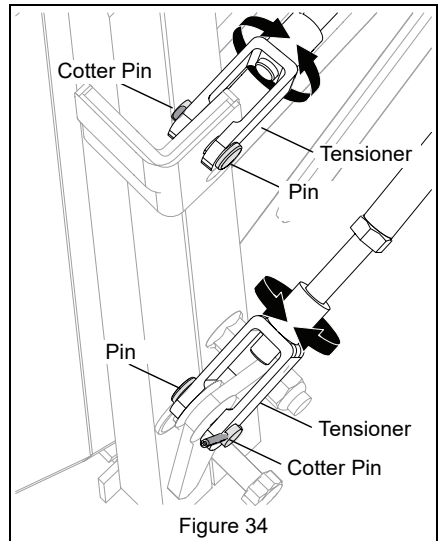


Figure 34

5. Reinstall pins and cotter pins removed earlier.
6. Open and close door. If desired holding tension has not been achieved, repeat steps 1 - 5.
7. Repeat process on opposite side of bagger assembly.

STORAGE



WARNING: AVOID INJURY.
Read and understand entire
Safety section before
proceeding.

NOTICE: The bagger can be washed with low pressure water. NEVER spray unit with high-pressure water. DO NOT store unit outdoors.

- Clean plastic surfaces with sponge and mild detergent. Dry with a soft cloth.
- Remove debris from bagger before storing.
- Store in a clean, dry area.
- Ensure fasteners are properly tightened.
- Inspect moving parts for damage and wear.
- Protect rusted or chipped painted surfaces.

INSTALLATION KITS

Part No.	Description
79221200	Bagger Completion Kit – 52"
79221300	Bagger Completion Kit – 60"
79221400	Bagger Completion Kit – 72"

TROUBLESHOOTING

Problem	Probable Cause	Correction
Bagger fails to pick up grass or leaves.	Bagger is full.	Shut off engine, remove key, and empty bagger.
	Bagger is clogged.	Unclog bagger. See <i>Unclogging Bagger</i> on page 18.
	Deck height is too high.	Lower deck within 1.3 cm (1/2") of cut grass height. Refer to the Operator's Manual for your unit to set deck height.
Blower stops or slows.	Worn or damaged hex belt.	Replace hex belt. See <i>Replacing Hex Belt</i> on page 19.
Bagger door does not stay closed.	Linkage settings are too loose.	Adjust rod linkages as necessary. See <i>Adjustments</i> on page 19.

SPECIFICATIONS

Model Number	892054
Description	Dump From Seat Bagger
Added Length to Unit – cm (in)	64.8 (25.5)
Bagger Capacity – m ³ (ft ³)	0.5 (18.0)
Added Width to Mower Deck – cm (in)	30.5 (12)



GRAVELY

Outdoor Power Equipment Limited Warranty

AriensCo warrants to the original purchaser that Gravely brand products purchased on or after 09/01/2022 will be free from defects in material and workmanship for the time period noted in the chart below.

If any product is rented or leased, then the duration of these warranties shall be 90 days after the date of purchase.

An authorized Gravely dealer will repair any defect in material or workmanship, and repair or replace any defective part, subject to the conditions, limitations and exclusions set forth herein. Such repair or replacement will be free of charge (labor and parts) to the original purchaser; except as noted below. Pick-up and delivery are at the owner's expense.

The warranty code is found on the model and serial number identification label on the unit.

Warranty Code	Product Group	Warranty Period
AA	Serialized Attachments	1 Year.
AB	Serialized Attachments	2 Years.
CH	Pro-Turn Z and Pro-Turn ZX Mowers	4 Years or 750 Hours.*
CJ	Pro-QXT	4 Years or 500 Hours.*
CK	Compact-Pro and Pro-Walk Hydro Mowers	4 Years or 750 Hours.* No Hour Limit for First 2 Years.
CL	Pro-Turn 100 and Pro-Stance Mowers	5 Years or 1000 Hours.* No Hour Limit for First 2 Years.
CM	Pro-Turn 200 and 300 Mowers	5 Years or 1250 Hours.* No Hour Limit for First 2 Years.
CN	Pro-Turn 500, 600 and Mach-One Mowers	5 Years or 1500 Hours.* No Hour Limit for First 2 Years.
CS	Axis Skidsteer	1 Year or 1000 Hours.*
HF	ZT-X Mowers	3 Years or 300 Hours.*
HG	ZT-XL Mowers	4 Years or 400 Hours.*
HH	ZT-HD and Z-Stance Mowers	4 Years or 500 Hours.*
UG	Atlas JSV	1 Year.

* Whichever comes first.

Special Extensions

The chart below details special **extensions** to warranty terms. Warranty terms are total time periods covered. If any product is rented or leased, there are no extensions to the 90-day warranty.

Warranty Code	Warranty Term Extension	Warranty Period	Detail
CL, CM, CN	Mower Deck Shell and Main Frame	Lifetime Limited.	Warranty is for parts only after the initial warranty period. Components are covered for manufacturer's defect only, not wear.

Exclusions and Limitations

The charts below detail special **exclusions and limitations** to this warranty.

Warranty Term Exclusions	Warranty Period
Air filters, brake arms, brake linings, brake shoes, brushes, cutters, fuel filters, halogen headlights, knives, halogen light bulbs, lubricants, mower blades, oil, oil filters, spark plugs, scraper blades, shear bolts, skid shoes and spoon tines.	Components are not covered under warranty.

Hydro-Gear Transaxle Limitation
See Hydro-Gear warranty. The warranty is administrated by AriensCo. Refer to www.gravelly.com for warranty statement.

Warranty Term Limitations	Warranty Period
Cloth, Plastic and Rubber Components. Mufflers, Tires and Belts.	Components are covered for manufacturer's defect only, not wear.

Exclusions – Items Not Covered by This Warranty

- Parts that are not genuine Gravelly service parts are not covered by this warranty and may void the warranty if the parts result in premature wear or damage to the product.
- Damages resulting from the installation or use of any part, accessory, or attachment which is not approved by the AriensCo for use with product(s) identified herein are not covered by this warranty.
- Any misuse, alteration, improper assembly, improper adjustment, neglect, or accident which requires repair is not covered by this warranty.
- Repairs or adjustments required due to failure to use fresh fuel or failure to properly prepare the unit for periods of non-use.
- **Use of gasoline blends exceeding 10% ethanol voids any and all warranties.**
- **Any tampering with the hour meter voids any and all warranties.**
- Products are designed to the specifications in the area that the product was originally distributed. Different areas may have significantly different legal and design requirements. This warranty is limited to the requirements in the area in which the unit was originally distributed. AriensCo does not warrant this product to the requirements of any other area. Warranty service is limited to service within the area originally distributed.
- In countries other than the United States and Canada, contact the AriensCo dealer for warranty policies that govern within your country. Rights may vary from country to country and within any one country.

Evaporative Emissions Control Warranty Exception

As required by the California Air Resources Board (CARB) and the US Environmental Protection Agency (EPA) the evaporative emissions control system is warranted to the ultimate purchaser, and any subsequent owner, for two years.

The CARB and EPA evaporative emissions control system warranty is described in a separate evaporative emission control warranty statement.

Special Exclusions for Job-site Vehicles

The following uses void the warranty terms on Atlas JSV (Warranty Code UG) vehicles:

- Renting or leasing the vehicle.
- Using the vehicle to tow or carry loads in excess of the limits specified in the operator's manual.
- Modifying the vehicle with parts and accessories that are not genuine or authorized Gravelly parts or accessories.
- Modifying the vehicle without express written authorization from Gravelly.
- Operating the vehicle when it has not been completely and properly assembled and pre-delivered by an authorized Gravelly dealer.

Battery Warranty

Battery warranty is one year. Units used for rental or lease have no exceptions to the 90-day warranty. Total battery claim reimbursement will not exceed 45.00 USD.

Engines

The chart below details engine warranty information. Engine warranty terms may vary from the specific terms of this warranty. If inconsistent, the terms of the engine warranty shall apply to the engine and its component parts.

Engine Manufacturer	Detail	
Gravelly V-Twin	Serial Number 0000400 and lower	4 Years or 500 Hours, whichever comes first. Refer to www.gravelly.com for warranty statement.
	Serial Number 0000401 and higher	4 Years or 750 Hours, whichever comes first. Refer to www.gravelly.com for warranty statement.
Yamaha	Yamaha-branded engines are warranted by the manufacturer and the warranty is administrated by AriensCo. Refer to www.gravelly.com for warranty statement.	
Briggs & Stratton, Kawasaki, Kohler, Kubota	Covered by the engine manufacturer's warranty. Refer to the engine manufacturer's warranty statements.	

Parts and Accessories

Service replacement parts and non-serialized accessories are warranted for 90 days from date of purchase. Labor is not included.

Customer Responsibilities

Register the product immediately at the time of sale. If the dealer does not register the product, the customer must register the unit on-line at www.gravelly.com.

To obtain warranty service, the **original purchaser** must:

- Ensure that the maintenance and adjustments explained in the Operator's Manual are routinely completed.
- Promptly notify AriensCo or an authorized Gravelly service representative of the need for warranty service.
- Transport the product to and from the place of warranty service at owner's expense.
- Have the warranty service performed by an authorized Gravelly service representative.

To find an authorized dealer use the dealer locator on our websites, or contact us by mail or phone.

Globally except Australia or New Zealand:	Australia:	New Zealand:
AriensCo 655 W. Ryan Street Brillion, WI 54110 Phone: (920) 756 - 4688 www.gravelly.com	Roy Gripske & Sons Pty Ltd 11 Sodium Street Narangba Queensland 4504 Australia Phone: (61130) 036 3004 www.rgs.com.au	Masport Ltd 320 Ti Rakau Drive East Tamaki Auckland 2013 New Zealand Phone: 0800 627 7678 www.masport.co.nz

Disclaimer

AriensCo may from time to time change the design of its products. Nothing contained in this warranty shall be construed as obligating the AriensCo to incorporate such design changes into previously manufactured products, nor shall such changes be construed as an admission that previous designs were defective.

Limitation of Remedy and Damages

AriensCo liability under this warranty, and under any implied warranty that may exist, is limited to repair of any defect in workmanship, and repair or replacement of any defective part. AriensCo shall not be liable for incidental, special, or consequential damages (including lost profits). Some states do not allow the exclusion of incidental or consequential damages, so the above limitation or exclusion may not apply to you.

AriensCo shall not be held liable for damages, including premature wear and tear, or injuries caused by installation of unauthorized parts and accessories or for parts and accessories not installed by an authorized Gravely dealer.

Australian Consumer Law

The following applies solely to warranties subject to Subsection 102(1) of the Australian Consumer Law: Our goods come with guarantees that cannot be excluded by the Australian Consumer Law. You are entitled to a replacement or refund for a major failure and for compensation for any other reasonably foreseeable loss or damage. You are also entitled to have the goods repaired or replaced if the goods fail to be of acceptable quality and failure does not amount to a major failure.

Disclaimer of Further Warranty

AriensCo makes no warranty, express or implied, other than what is expressly made in this warranty. If the law of your state provides that an implied warranty of merchantability, or an implied warranty of fitness for particular purpose, or any other implied warranty, applies to AriensCo then any such implied warranty is limited to the duration of this warranty. Some states do not allow limitations on how long an implied warranty lasts, so the above limitation may not apply to you.

This warranty gives you specific legal rights, and you may also have other rights which vary from region to region.



GRAVELLY

655 West Ryan Street
Brillion, WI 54110

www.gravelly.com



WARNING: Cancer
and Reproductive Harm -
www.P65Warnings.ca.gov

ARIENS | CO

