



HYDRO TRACTOR

Parts Manual

Models

936039 46" Precision Hydro Tractor



GB ENGLISH

428421 (21547013) 04.16.09
Printed in USA

HOW TO USE THIS MANUAL

This manual is designed to provide the customer with a means to identify the parts on his/her tractor when ordering repair parts. The illustrations may or may not represent the actual assemblies; therefore, it is not recommended to use this manual as a guide to assemble or disassemble the tractor. Some hardware and parts are drawn larger in order to more readily identify them.

Each tractor has its own model number.

The model number for your tractor can be found on the fender under the seat.

When ordering parts, always give the following information:

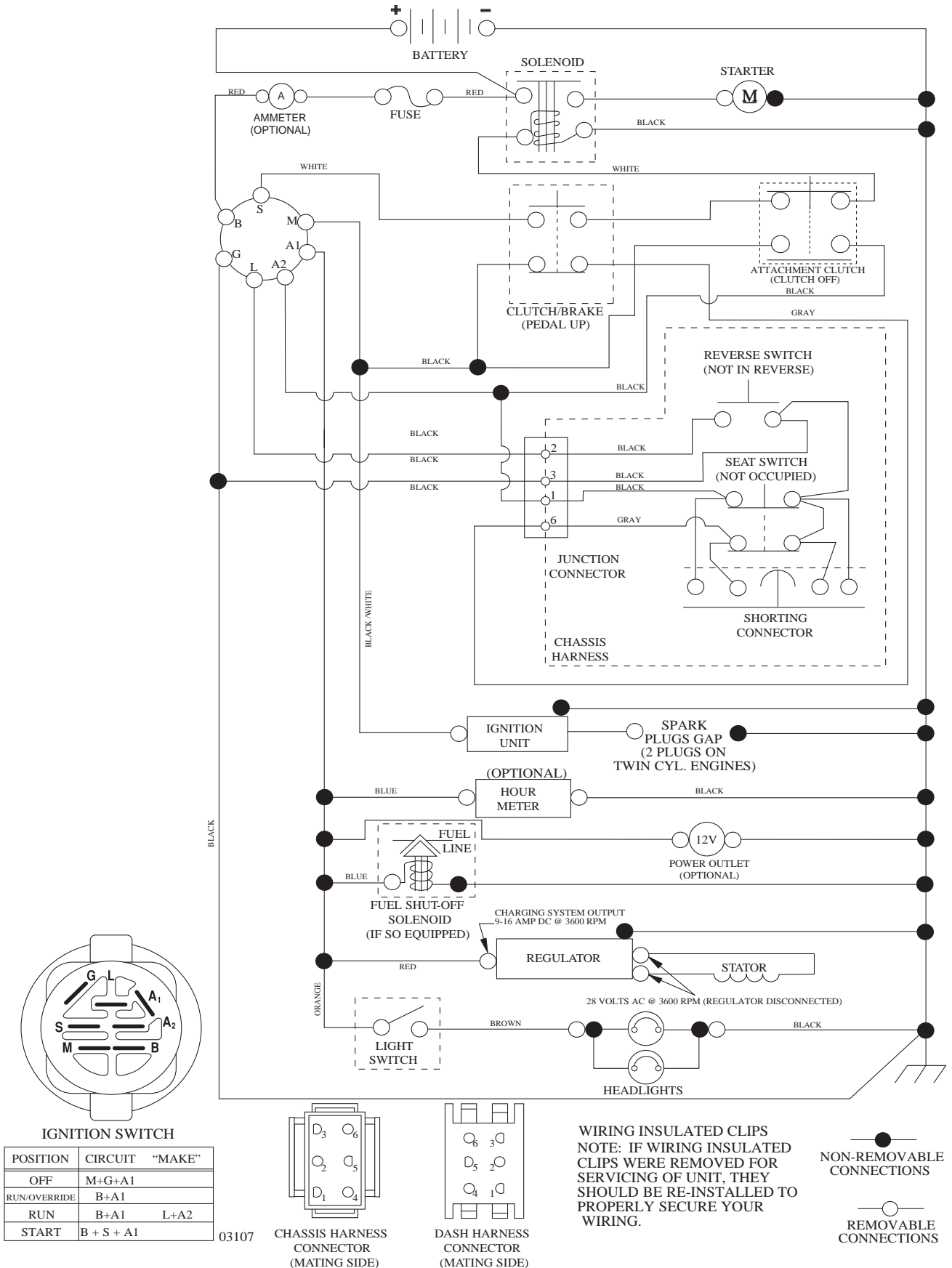
- Product - "Tractor"
- MODEL NUMBER - "936039 (96046000301)"
- Part Number
- Part Description

TABLE OF CONTENTS

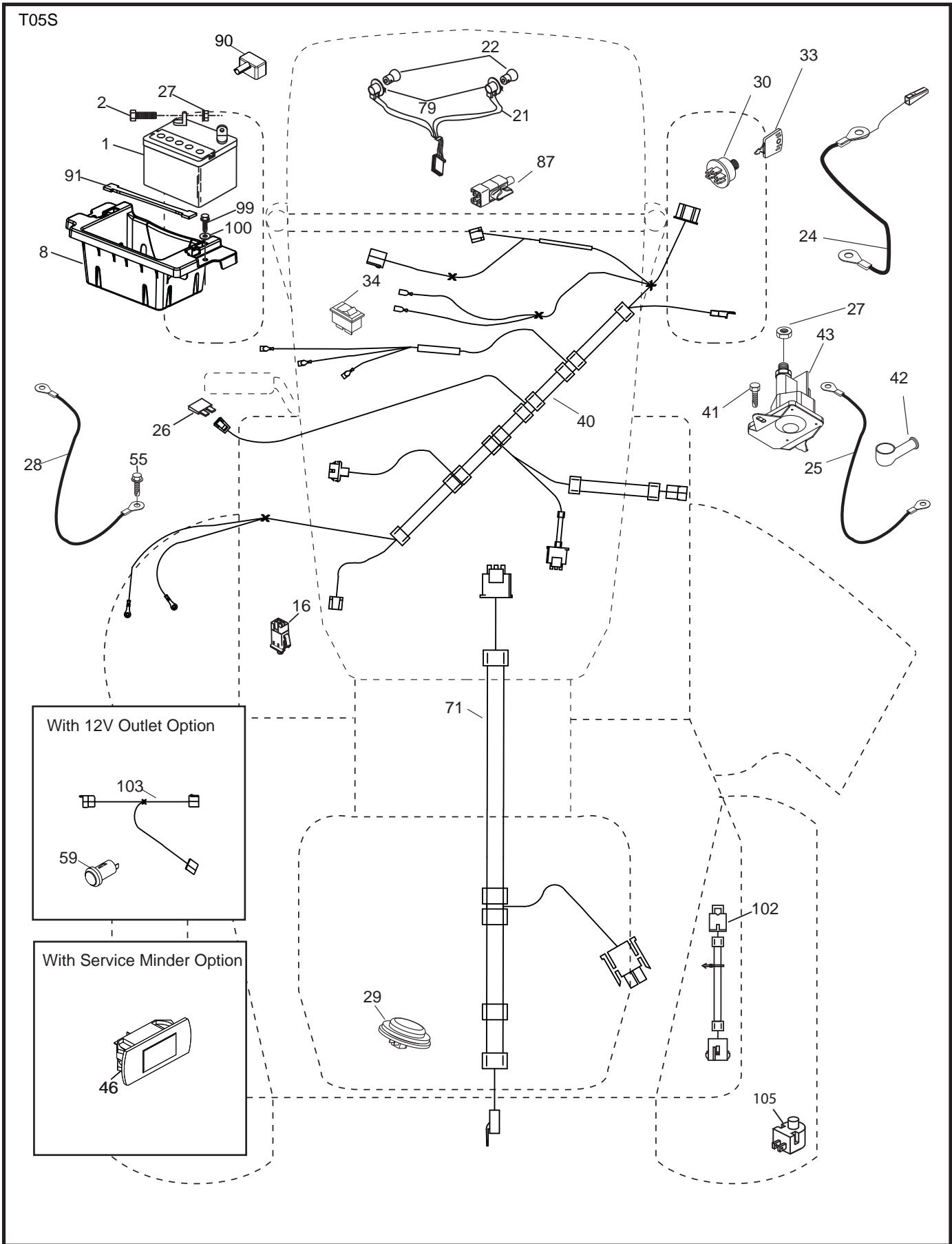
SCHEMATIC	3
ELECTRICAL.....	4-5
CHASSIS	6-7
DRIVE.....	8-9
ENGINE.....	10-11
STEERING	12-13
MOWER DECK	14-15
MOWER LIFT.....	16-17
SEAT	18-19
DECALS.....	20-21
WARRANTY.....	22-23
PARTS AND SERVICE	24

TRACTOR - MODEL NO. 936039 (9604600301), PRODUCT NO. 96046 00-03 SCHEMATIC

SCH10



TRACTOR - MODEL NO. 936039 (96046000301), PRODUCT NO. 9604600-03 ELECTRICAL

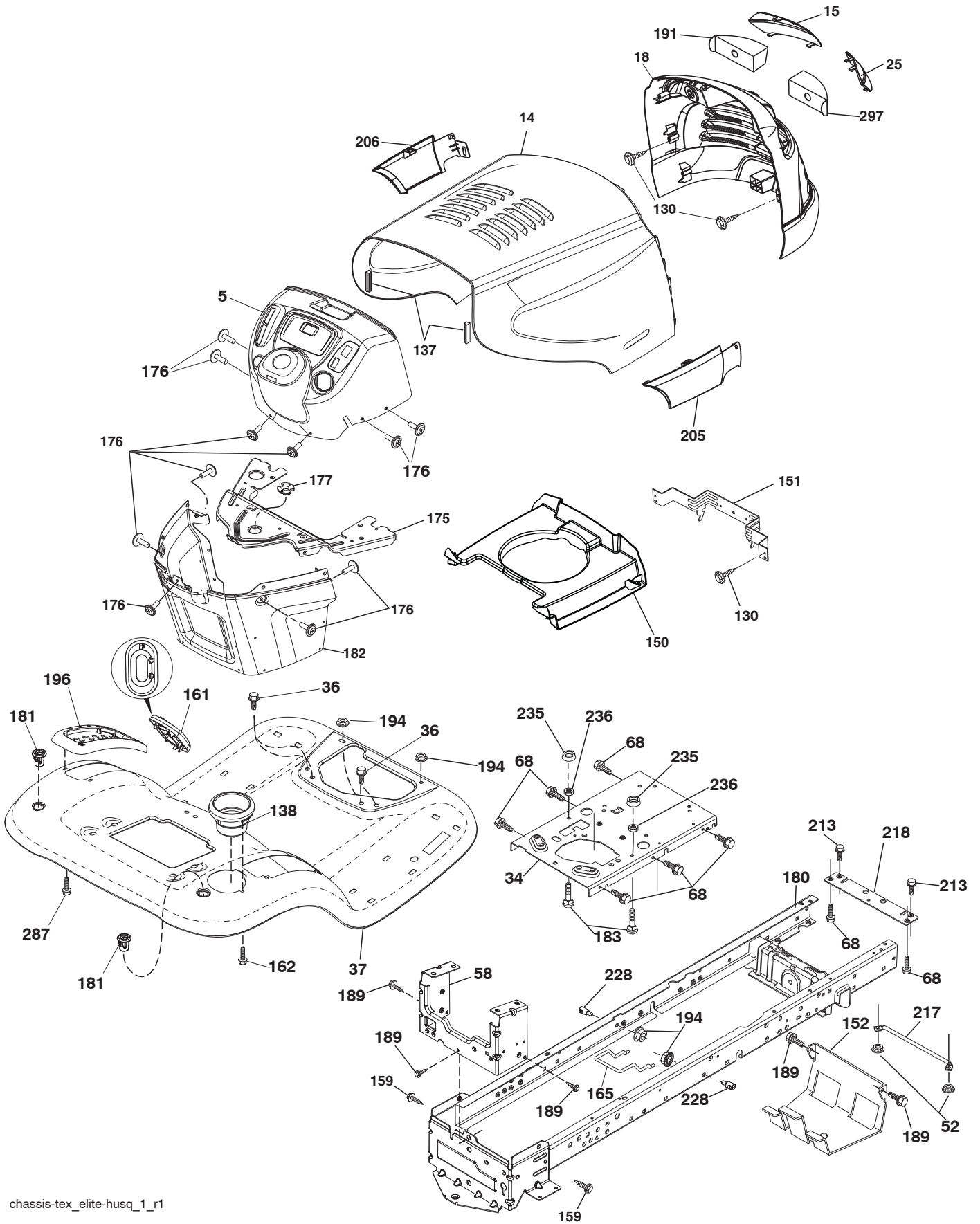


TRACTOR - MODEL NO. 936039 (96046000301), PRODUCT NO. 960 46 00-03 ELECTRICAL

ITEM NO.	MFG. NO.	ARIENS PART NO.	DESCRIPTION
1	163465	21546162	Battery.12.Volt.28.Amp.Wet
2	74760412	21546803	Bolt Hex Hd 1/4-20 unc x 3/4
8	186491	21546233	Box.Battery.Mount.Front.Lt
16	176138	21546205	Switch.Interlock.Nono.Gray
21	183759	21546226	Harness Asm.Light.22"(4152j)
22	4152j	21546673	Bulb.Light.#1156
24	400253	21546556	Cable.Btry.Pswre.Dsh Sol.8"Tex
25	412894	21546646	Cable.Starter.6ga.Bl/Red.14.5"
26	175158	21546200	Fuse.20 Amp.
27	73510400	21546779	Nut, Keps Hex 1/4-20 unc
28	145491	21546112	Cable.Ground.21"Blk.6 Ga.90t
29	401545	21546574	Switch.Seat.Delta.Opc.9lb.
30	193350	21546319	Switch.Ign.Dlta.P-in.Ros
33	411935	21546640	Key/Chain.Blister pack.Gen.Ce
34	110712X	21546050	Switch.Light/Reset.B/B/Red.
40	401098	21546568	Harness.Ign.Dash.Cbl.Ytgt.Pred
41	17720408	21546210	Screw 1/4-20 x 1/2
42	131563	21546082	Cover.Terminal.Red
43	192507	21546294	Solenoid.w/Brass Plunger.2005
55	17060512	21546187	Screw.5/16-18x3/4.Smgml.Tap/r
71	194276	21546323	Harness.Ign.Chassis.Tex
79	175242	21546201	Socket Asm.Bulb.Twistlock
87	197802	21546457	Switch.Intrlck.Clutch.Cable.Tx
90	400724	21546559	Cover.Terminal.Battery.Fr.Tex
91	190270	21546274	Strap.Battery.Mount.Front
99	17670412	21546207	Screw.Hexwsh.Thdrol.1/4-20 x 3/4
100	19091416	21546277	Washer.9/32 x 7/8 x 16ga.
102	404454	21546594	Harness.Pigtail.K46.Tex.Ros
105	407568	21546625	Switch.Reverse.TT.Pedal Control

NOTE: All component dimensions given in U.S. inches
1 inch = 25.4 mm

TRACTOR - MODEL NO. 936039 (96046000301), PRODUCT NO. 9604600-03 CHASSIS



chassis-tex_elite-husq_1_r1

TRACTOR - MODEL NO. 936039 (96046000301), PRODUCT NO. 960 46 00-03 CHASSIS

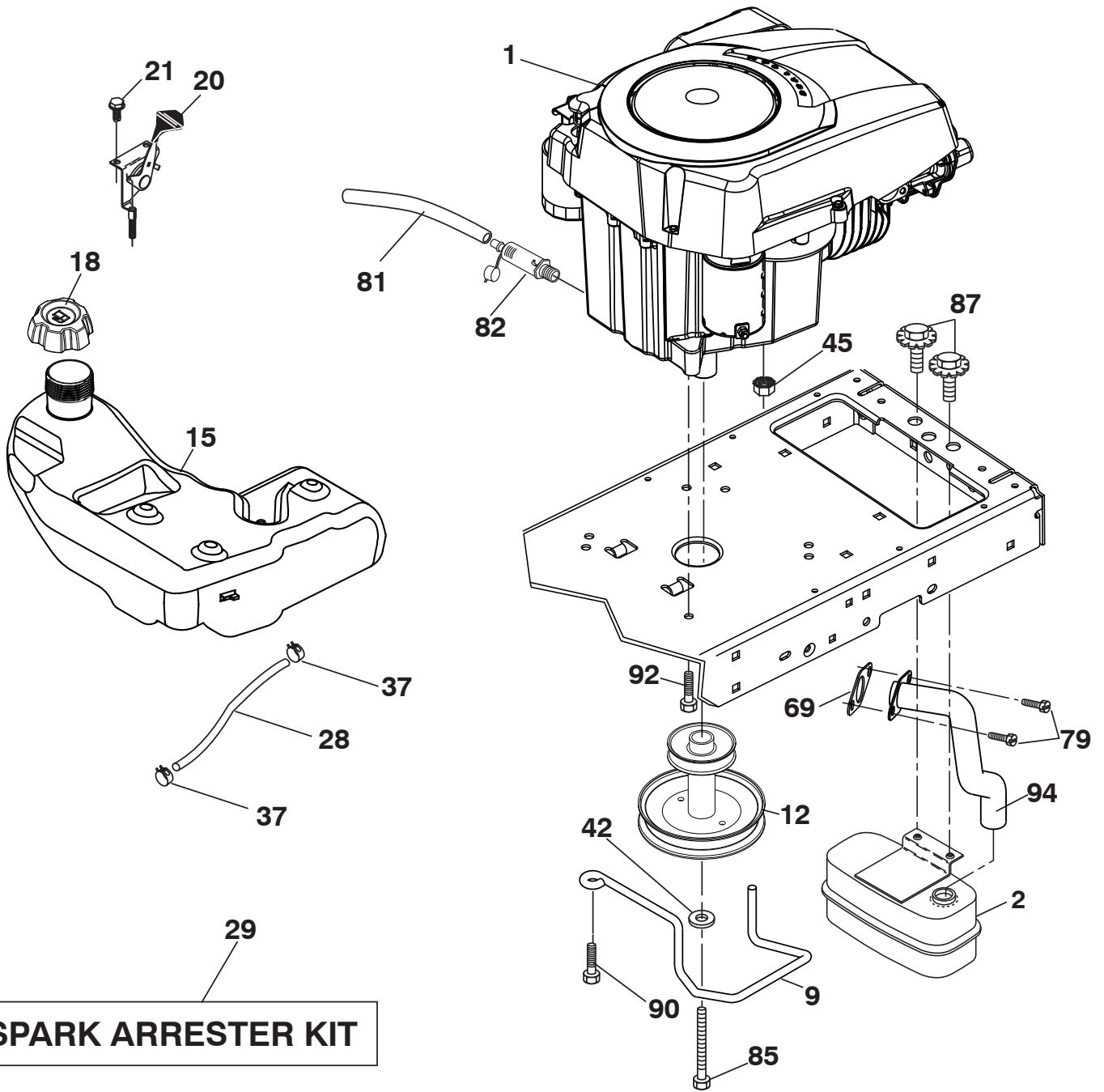
ITEM NO.	MFG. NO.	ARIENS PART NO.	DESCRIPTION
5	401715X428	21546576	Dash.Upper.Tex.Elite.Cc.Nchk428
14	425404X422	21546867	Hood
15	188264X599	21546261	Lens.Elite-Husq.Clear.LH
18	423179	21546708	Grille.Elite.Ariens.Black
25	188263X599	21546260	Lens.Elite-Husq.Clear.RH
34	196125	21546384	Plate.Engine.Welded.Chassis
36	17060512	21546187	Screw.5/16-18 x 3/4.Smgml.Tap/R
37	414878X422	21546669	Fender.Tlt.W/Cph.W/Fw.422
52	73680500	21546784	Nut, Hex, Crownlock 5/16-18
58	412280	21546643	Drawbar.Upper.2pc.Sml.Fender
68	17490508	21546199	Screw.Thdrol.5/16-18 x 1/2tytt
130	416358	21546675	Screw
137	184921	21546230	Bumper.Hood.Large. 1.75"
138	193224X428	21546311	Cupholder.TI.Tex.428
150	189350	21546273	Air Duct.Engine.Elite-SV
151	407807	21546626	Bracket.Pivot.Lasr/Elite/HusqIt
152	199535	21546501	Shield.Browning.w/Tex
159	17000612	21546181	Screw.Hexwsh Thdr3/8-16 x 3/4.BI
161	193229X428	21546316	Window.Fuel.Lt.Tex.428
162	142432	21546106	Screw.Hex.Wsh.Hi-Lo.1/4x1/2 unc
165	196826	21546413	Support. Tank.Rear.W/Tex
175	193243	21546317	Crossmember.Lt
176	400776	21546562	Screw.#10-24 x 5/8.Rnd.Qudrx.Gim
177	195227	21546356	Bushing.Steering.Yt/Gt
180	415063	21546670	Chass.Wldmt.TI.12ga/2pc.18/22"
181	193102X428	21546304	Bushing.Mnt.Fend.Crgo.Blk.Tex
182	193057	21546302	Dash Lower.Lt.Ccs
183	74780520	21546814	Bolt.Fin.Hex.5/16-18 unc x1-1/4
189	17000512	21546180	Screw.5/16-18x3/4.Smgml.Tap/BI
191	188267	21546264	Insert.Lens.Rflect.Elt-Husq.
194	73900500	21546789	Nut, Lock Hex Flange 5/16-18 unc
196	414579	21546663	Console Asm.Decklft.BI/Rbt.TIt
205	188265X428	21546262	Skirt.Side.RH.Elite Husq.428
206	188266X428	21546263	Skirt.Side.LH.Elite Husq.428
213	74760512	21546804	Bolt, Hex Head 5/16-18 X 3/4
217	409167	21546636	Rod.Pivot.Hood
218	196395	21546400	X-Piece.Hood.Stop.Non/Stealth
228	195161	21546343	Stud.Fastner.w/'D'Anti-Rotatio
235	406129	21546619	Spacer.Fender
236	73930500	21546793	Nut.Center Lock.5/16-18 unc
287	17600406	21546204	Screw.Hex.Washead.1/4-20 X 3/8
297	416500	21546678	Insert.Reflective.RH
--	404951X428	21546596	Plug.Dash.Srvmndr.Tex.Pred/Hus

NOTE: All component dimensions given in U.S. inches
1 inch = 25.4 mm

TRACTOR - MODEL NO. 936039 (96046000301), PRODUCT NO. 960 46 00-03 DRIVE

ITEM NO.	MFG. NO.	ARIENS PART NO.	DESCRIPTION
1	-----	-----	Transaxle, Tufftorq K46BT
2	123583X	21546070	Key.Square.2.0 x .1845/.1865
15	19131316	21546284	Washer.13/32 x 13/16 x 16 Ga.
17	413678	21546654	Spring.Brake.K46.Green
26	199679	21546508	Spring.Return.Cruise
29	403806	21546593	Rod.Brake.K46
33	12000001	21546051	E-Ring.#5133-75
35	197722	21546453	Rod.Brake.Parking.Lt.Tex
42	8883R	21546831	Cover.Pedal.Blk.Round
49	72110614	21546766	Bolt.Rdhd.3/8-16 unc x 1-3/4.Gr5
50	194327	21546331	Idler.Flat.910"Offset
51	73900600	21546790	Nut, Hex, Flangelock 3/8-16
52	194326	21546330	Idler.V-Groove.910"Offset
56	130969	21546080	V-Belt.Mower.92.40.42/K46
64	197865	21546465	Shaft Asm.Pedal.Brk.Cntrl.Pch
73	74490544	21546798	Bolt.Hex.Flghd.5/16-18.Gr.5
80	410024	21546637	Strap.Torque.K46/18"tex
92	74760520	21546806	Bolt, Hex Head 5/16-18 x 1-1/4
99	415742	21546674	Rod.Spring.Bypass.K46.LT.Z
116	73900500	21546789	Nut, Lock Hex Flange 5/16-18 unc
125	17000512	21546180	Screw.5/16-18 x 3/4.Smgml.Tap/Bl
143	17490508	21546199	Screw.Thdrol.5/16-18 x 1/2tytt
153	4497H	21546739	Retainer Spring
159	76020412	21546820	Pin.Cotter.1/8 x 3/4.Cad.
160	169484	21546178	Retainer.Clip(M).Dia.290
161	105709X	21546028	Spring.Return.Clutch.6.75
163	401034	21546567	Rod.Control.Pedal.K46
166	197290	21546432	Nut.Push..625.2006
167	405257	21546608	Latch.Brake.Parking
170	413430	21546648	Keeper.Center Span.1.688
183	137057	21546087	Spacer.Axle.Hydro/Peerles
184	198403X505	21546477	Handle.Parking Brake.Lttx.505
185	72110622	21546768	Bolt.Rdhd.3/8-16 unc x 2-3/4 Gr5
186	194321	21546328	Spacer.Retainer
187	19133210	21546287	Washer.13/32 x 2 x 10 Ga.
188	194323	21546329	Link.Clutch.Ground Drive
189	194317	21546324	Bellcrank.Groundrive.Nstg/Nstl
190	194318	21546325	Keeper.Bellcrank.Drive.Ground
205	121748X	21546066	Washer.25/32 x 1-5/8 x 16 Ga.
206	197867	21546467	Bracket.Mount.Latch.Cruise
207	197868	21546469	Latch.Control.Cruise
208	197869	21546470	Gear Sector.Control.Cruise
209	400769	21546561	Rod.Control.Cruise.Lt.Elite
210	400980	21546565	Rocker Asm.Pedal Control.Textl
211	120183X	21546061	Bearing.Nylon.Blk..629 Id.
213	400799X428	21546563	Handle.Control.Cruise.Elite.428
214	421263	21547005	Pad Pedal Forward
215	197301X428	21546436	Pedal.Reverse.Tex.Gt.428
216	196131	21546385	Bracket.Pulley.Idler.Wtex
221	403187	21546588	Retainer.Spring.Clip.Handle
222	79212010	21546821	Washer.21/32 x 1-1/4.10ga.N/Pltd
225	403319	21546589	Keeper.Belt.Transaxle.K46
226	401564	21546575	Bracket.Mount.Torque.K46.Tlt
230	188967	21546272	Washer.Harden..793 X 1.637 x 060
231	407287	21546622	Idler.V-Groove.1.688"Offset

NOTE: All component dimensions given in U.S. inches
1 inch = 25.4 mm



engine-tex_Kohl_11_r1

TRACTOR - MODEL NO. 936039 (96046000301), PRODUCT NO. 960 46 00-03 ENGINE

ITEM NO.	MFG. NO.	ARIENS PART NO.	DESCRIPTION
1	-----	-----	Engine Kohl Model No. SV600-0222
2	188655	21546269	Muffler.Single.Cyl.Kohl.Courag
9	194320	21546327	Keeper.Belt.Engine.4.25"Nstg
12	405472	21547006	Pulley Engine
15	400021	21546553	Tank.Fuel.Side-Fill.3.00 Ga.
18	195951	21546376	Cap Asm.Fuel Tank.3"Black
20	176636X428	21546206	Control.Th/Ck.Cobra.Bs.Eec.428
21	416358	21546675	Screw
28	401135	21546570	Line.Fuel.64"Rear.Emis.Ca.Lp
29	137180	21546090	Kit.Spark Arrestor(392390 B&S)
37	123487X	21546069	Clamp.Hose.Blk.
42	10040700	21546004	Washer.Lock.Hvy Hlcl.Spr.7/16
45	73510400	21546779	Nut, Keps Hex 1/4-20 unc
69	185909	21546232	Gasket.Kohler.Sv.I.(20-041-12)
79	192334	21546293	Screw.Socket Hd.5/16-18 X .75
81	148456	21546117	Tube.Drain.Oil.Easy
82	181654	21546220	Plug.Drain.Oil.Easy
85	173937	21546191	Bolt.Hex.7/16-20 x 4 x Gr. 5-1.5thr.
87	171877	21546190	Bolt.5/16-18 unc x 3/4 w/Sems.Blk
90	17000616	21546182	Screw.3/8-16x1.Smgml.Tap/R.Blk
92	17120616	21546188	Screw.3/8-16 X 1.Smgml.Tap/R
94	188654	21546268	Tube.Exhaust.Kohl.Courage

NOTE: All component dimensions given in U.S. inches
1 inch = 25.4 mm

For engine service and replacement parts, call the toll free number for your engine manufacturer listed below:

Kohler Co. 1-800-544-2444

TRACTOR - MODEL NO. 936039 (96046000301), PRODUCT NO. 960 46 00-03 STEERING ASSEMBLY

ITEM NO.	MFG. NO.	ARIENS PART NO.	DESCRIPTION
1	414803X428	21546664	Wheel.Steering.Hard Rim.Black
2	418168	21546681	Axle Asm.Welded
4	403087	21546582	Spindle.Welded.LH.15"Tex
5	403088	21546583	Spindle.Welded.RH.15"Tex
6	6266h	21546750	Washer.Thrust..75 x 1.230
7	121748X	21546066	Washer.25/32 x 1-5/8 x 16ga.
8	12000029	21546053	Ring.Klip.#T5304-75
9	121232x	21546064	Cap.Spindle.Fr.Top.Blk.
13	121749x	21546067	Washer.25/32 x 1 1/4 x 16 ga.
14	10040600	21546003	Washer, Lock 3/8
15	73540600	21546782	Nut.Crownlock.3/8-24
16	408219	21546628	Shaft.Steer.3/4 Tex.Non-plated
19	194729	21546334	Plate.Steer.Ddl.Nlt/ngt
20	198375X428	21546475	Boot.Steering.Lt.Tex p/l.428
21	186737	21546234	Adapter.Wheel.Strg..760
22	420537	21547007	Steering Supt. Lower
26	414854X428	21546665	Cap.Whl.Strg.Hrs/Srs.Black
28	17000612	21546181	Screw.Hexwsh Thdr 3/8-16 x 3/4.Bl
35	194732	21546335	Gear Sector.Plate.Ddl.Nlt/ngt
45	19183812	21546291	Washer.9/16id x 2-3/8od.12gzin
51	73940800	21546795	Nut.Hex.Jam.Toplock.1/2-20 unf
53	188967	21546272	Washer.Harden..793 x 1.637 x 060
57	407465	21546623	Bracket.Upstop.Tex
58	194747	21546339	Bolt.Shoulder.Sector.Pivot.Cfm
59	194748	21546340	Washer.Thrust.Sector.Steer.Nlt
60	73971000	21546797	Nut.Flange Lock.5/8-11
61	194740	21546337	Draglink.LH.Ballstud.Ddl.
62	194741	21546338	Draglink.RH.Ballstud.Ddl
63	17000512	21546180	Screw.5/16-18x3/4.Smgml.Tap/bl
64	199849	21546512	Retainer.Clip.Spring.Steering
66	71020748	21546754	Bolt.Hex.Fghd.7/16-14 X 3.Serr
67	194737	21546336	Bushing.Pm.Front Axle
68	73900700	21546791	Nut.Lock.Flange.7/16-14.Gr5
69	199162	21546483	Washer.1.5 x .505 x .118
70	196197	21546386	Bracket.Deck.Suspension.Front
74	3366R	21546550	Bearing.Col.Strg.Blk.

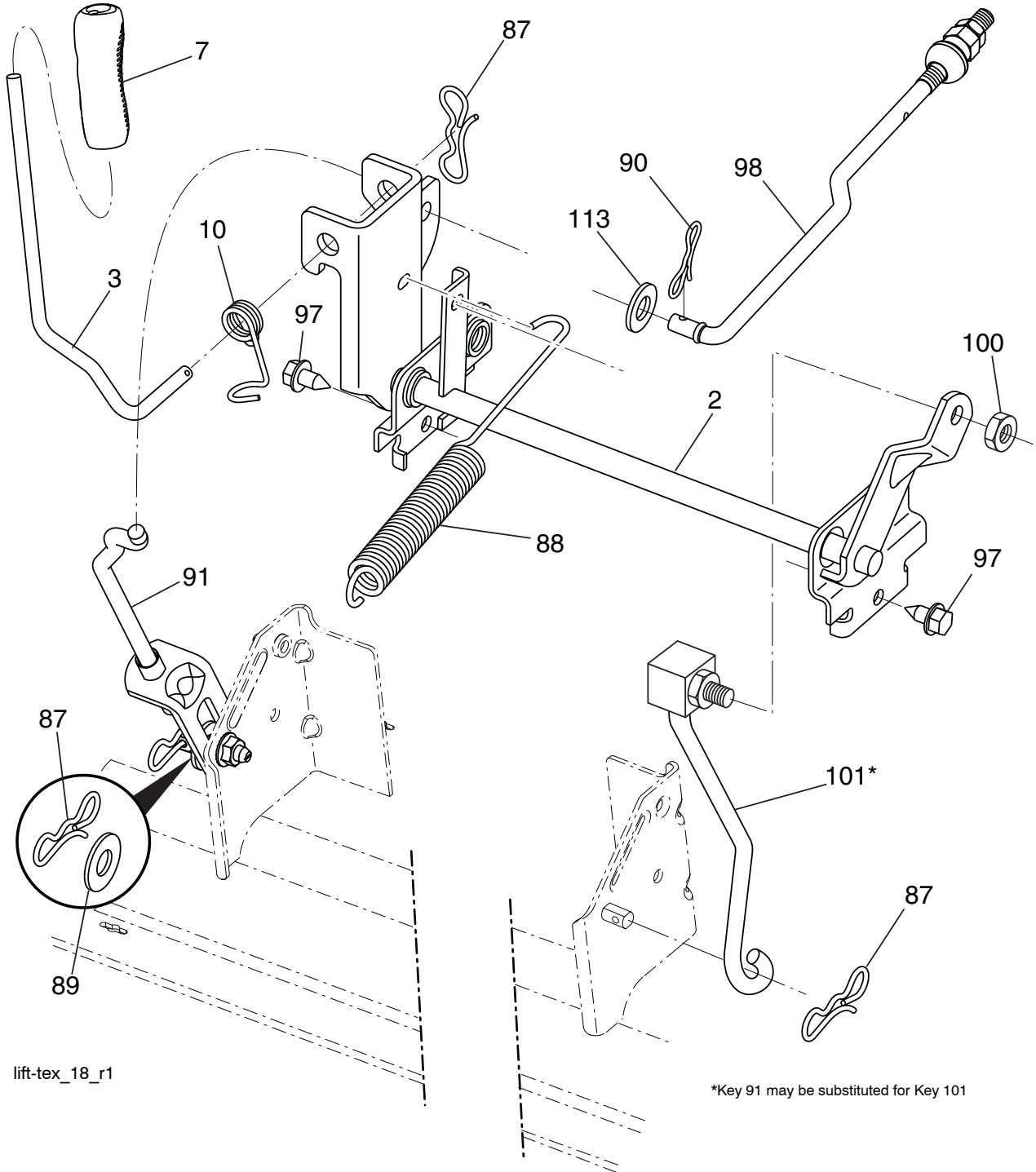
NOTE: All component dimensions given in U.S. inches
1 inch = 25.4 mm

TRACTOR - MODEL NO. 936039 (96046000301), PRODUCT NO. 960 46 00-03 MOWER DECK

ITEM NO.	MFG. NO.	ARIENS PART NO.	DESCRIPTION
1	405049X422	21546603	Deck.Weldment.46"4 Ga. Whl.Ms422
2	405506	21546617	Cover.Mandrel.RH.46"
3	405507	21546618	Cover.Mandrel.LH.46"
6	195186	21546347	Arm.Suspension.Mower.Rear.Ld
7	416358	21546675	Screw
8	193003	21546301	Bolt/Washer Asm.7/16-20.unf
11	405380	21546611	Blade.Mower.46"Hi Lift Bagger
13	192872	21546300	Shaft Asm.Mndrl.N/Greaseable38
14	187281	21546238	Housing.Mandrel.4pt.Service
15	110485X	21546046	Bearing.Ball.Mandrel
19	196539	21546411	Bolt.Shoulder
21	73680500	21546784	Nut, Hex, Crownlock 5/16-18
23	192557	21546296	Bracket.Deflector.38/42"2005
24	105304X	21546025	Cap.Sleeve..80 x.112.Blk.Mower
25	197026	21546416	Spring.Torsion.Dfl.38/42/46.Gr
26	110452X	21546045	Nut.Push.Phos.& Oil
27	405357	21546610	Shield.Deflector.Mower 46"Blk
29	131491	21546081	Rod.Hinge.42/46"
30	173984	21546192	Screw.Thd Roll.Dod Pt.Hex
31	187690	21546253	Washer.Spacer.Mandrel
32	197473	21546446	Pulley.Mandrel.5.438 Pd.42"
33	400234	21546554	Nut.Flange.Lock.Top
34	72110612	21546765	Bolt.Carr.Sh.3/8-16 x 1-1/2.Gr5
36	197379	21546440	Pulley.Idler.4.50.Raw
37	19131316	21546284	Washer.13/32 x 13/16 x 16 Ga.
38	199189	21546487	Keeper.Belt.LH.Mandrel.42/46"
40	73900600	21546790	Nut, Hex, Flangelock 3/8-16
42	197256	21546423	Spring.Torsion.Retainer
43	198410	21546478	Spring.Torsion.Brake
46	137729	21546091	Screw.Thd.Roll.1/4-20 x 5/8
47	197250	21546421	Bracket.Clutch.Cable
55	197249	21546419	Idler.Arm
56	199092	21546482	Spacer.Retainer
57	17000616	21546182	Screw.3/8-16x1.Smgml.Tap/R.Blk
59	141043	21546103	Guard.Tuv.Idler
60	199471	21546497	Arm.Brake.Mower.38/46"LH.Tex
63	199478	21546500	Arm.Brake.(Zinc)
64	405139	21546605	Linkage Asm.Brake.Clear Zinc
67	198398X428	21546476	Handle.Clutch.Cable.Lt Tex.428
68	405143	21546607	V-Belt.Drive.Mwr.Mechanical.46"
69	72140505	21546770	Bolt.Rdhd.Sqkn.5/16-18 x 5/8
70	199679	21546508	Spring.Return.Cruise
113	17000510	21546179	Bolt.5/16-18 Hex.Whs.Hd.Lckserr
116	193406	21546320	Bolt.Shoulder.3/8-16x3-5/8.Gr5
117	174873	21546197	Wheel.Gauge.Rally.
119	19132012	21546286	Washer.13/32 x 1-1/4 x 12 Ga.
122	197258	21546424	Keeper.Belt.Engine.LH.Lt.Tex
123	197259	21546426	Keeper.Belt.Engine.RH.Lt.Tex
144	199204	21546489	Keeper.Belt.Mower
145	193197	21546308	Pulley Idler
147	401872	21546577	Spring.Return.Deck.38/46"
152	408714	21546635	Cable.Clutch.Manual.w/Spr.
188	195161	21546343	Stud.Fastner.w/'D'anti-Rotatio
189	73900500	21546789	Nut, Lock Hex Flange 5/16-18 unc
195	17000612	21546181	Screw.Hexwsh Thdr3/8-16 x 3/4.Bl
197	19131312	21546283	Washer 13/32 x 13/16 x 12 Ga.
198	403149	21546584	Baffle.Center.Front
199	403150	21546586	Baffle.Front.RH
200	413524	21546651	Washer.13/32 x 1 x 1/2.11 Ga. Hrd
208	17670608	21546208	Screw.Thdrol.3/8-16 x 1/2.Tyt.Bl
240	74520636	21546799	Bolt.Fin.Hex.3/8-16 x 2-1/4 Gr5
--	192870	21546299	Mandrel Assembly (Includes housing, shaft assembly, and bearing only - pulley/nut/washer and blade bolt/washers not included)
--	423803	21546719	Deck.Svc.46"Hp.Cc.4gwb.Tex.422

NOTE: All component dimensions given in U.S. inches
1 inch = 25.4 mm

TRACTOR - MODEL NO. 936039 (96046000301), PRODUCT NO. 9604600-03 MOWER LIFT



lift-tex_18_r1

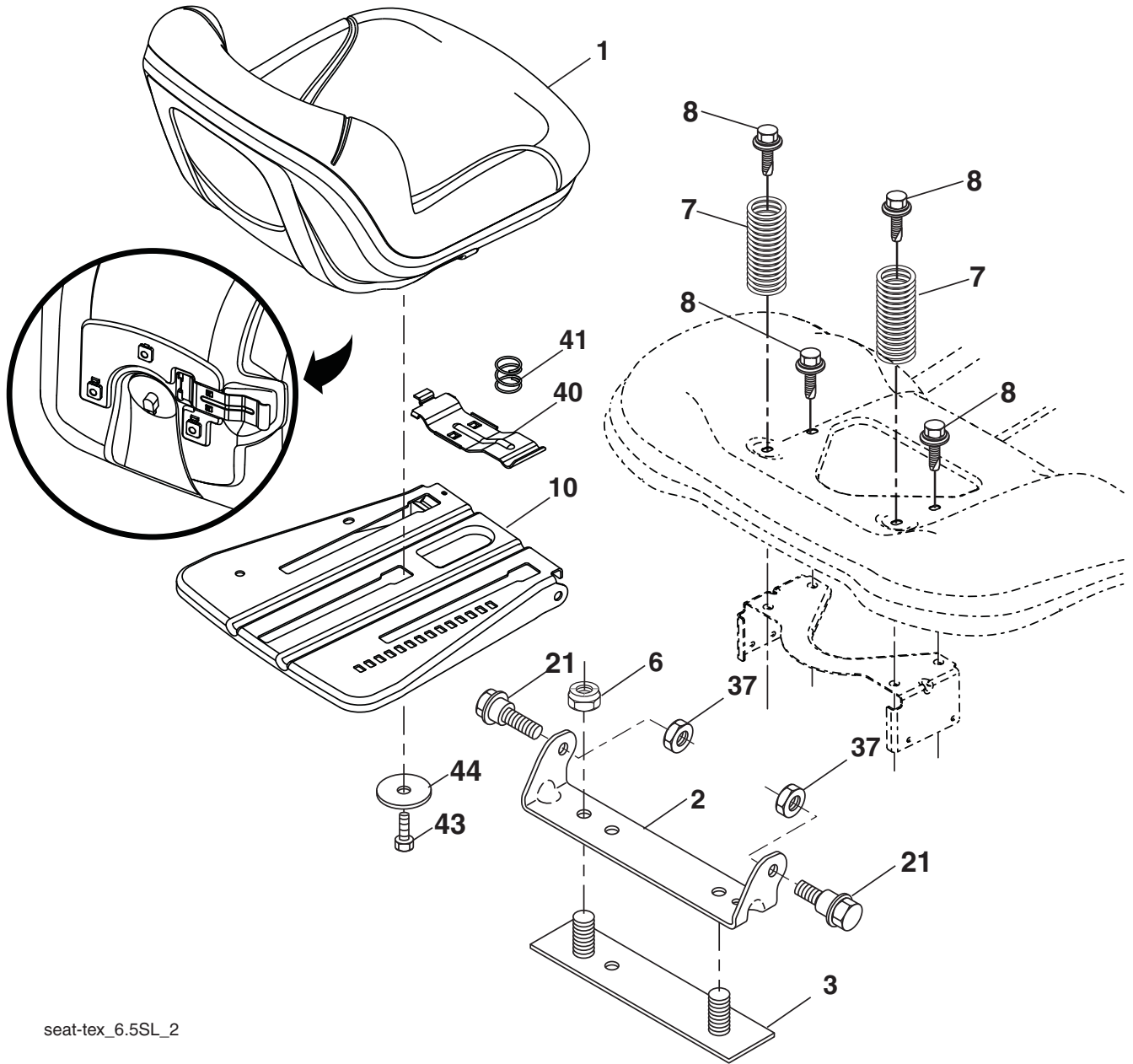
*Key 91 may be substituted for Key 101

TRACTOR - MODEL NO. 936039 (96046000301), PRODUCT NO. 960 46 00-03 MOWER LIFT

ITEM NO.	MFG. NO.	ARIENS PART NO.	DESCRIPTION
2	422027	21547008	Shaft Asm., Lift
3	195231	21546358	Lever.Lift.Handle.Lt
7	196492X428	21546408	Grip.Lever..5625 Ld.Black 428
10	196314	21546397	Spring.Torsion.Handle.Lift
87	194209	21546322	Pin.Cotter.7/16.Bow Tie Lock
88	410710	21546638	Spring.Lift Assist
89	19171912	21546290	Washer.17/32 x 1-3/16 x 12 Ga.
90	194208	21546321	Pin.Cotter.5/16.Bow Tie Lock
91	195181	21546344	Link Asm.Lift.LH.Rear
97	17000612	21546181	Screw.Hexwsh Thdr3/8-16 x 3/4.Bl
98	195270	21546360	Link Asm.Susp.Front.Mwr.11
100	73930600	21546794	Nut.Centerlock.3/8-16 unc
101	407003	21546620	Link Asm.Lift.Fixed.38/42/46"
113	19191912	21546292	Washer.Clear Zinc

NOTE: All component dimensions given in U.S. inches
1 inch = 25.4 mm

TRACTOR - MODEL NO. 936039 (96046000301), PRODUCT NO. 9604600-03 SEAT ASSEMBLY



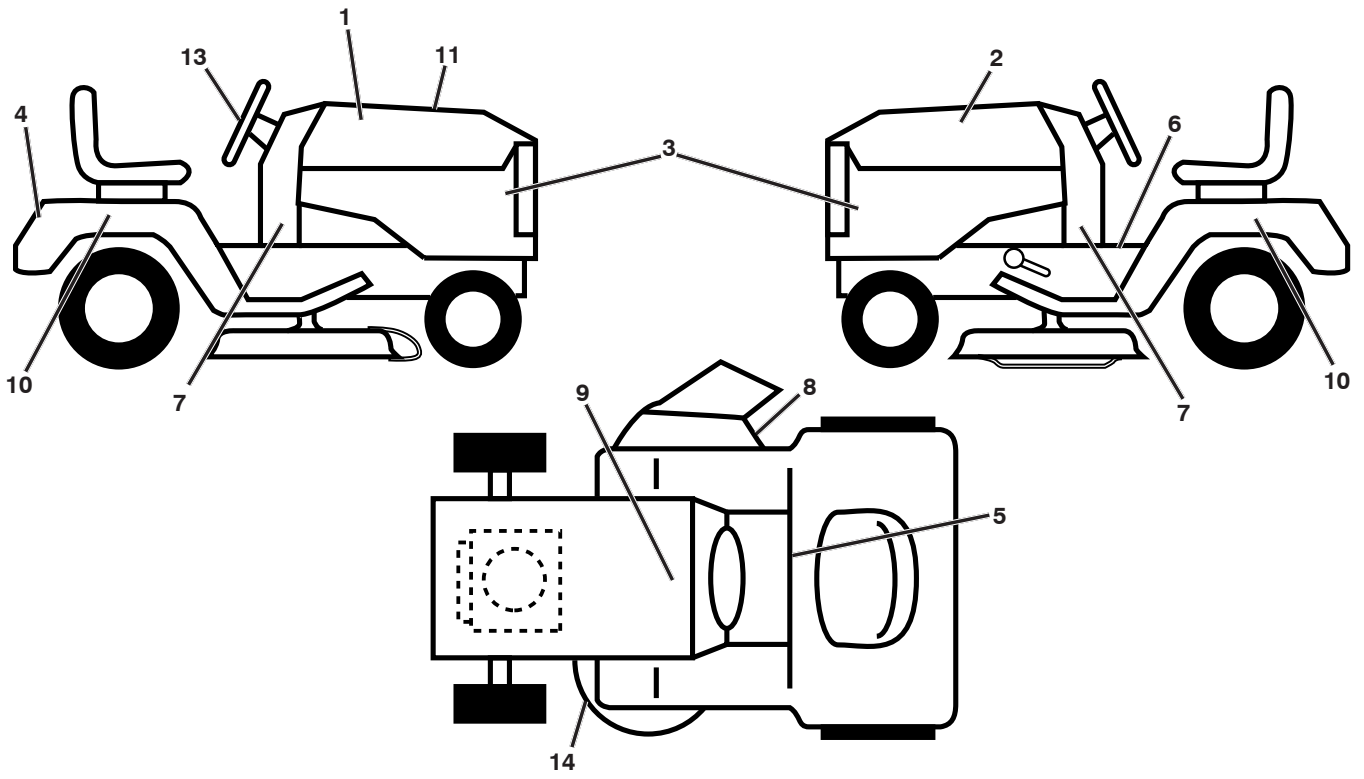
seat-tex_6.5SL_2

TRACTOR - MODEL NO. 936039 (96046000301), PRODUCT NO. 960 46 00-03 SEAT ASSEMBLY

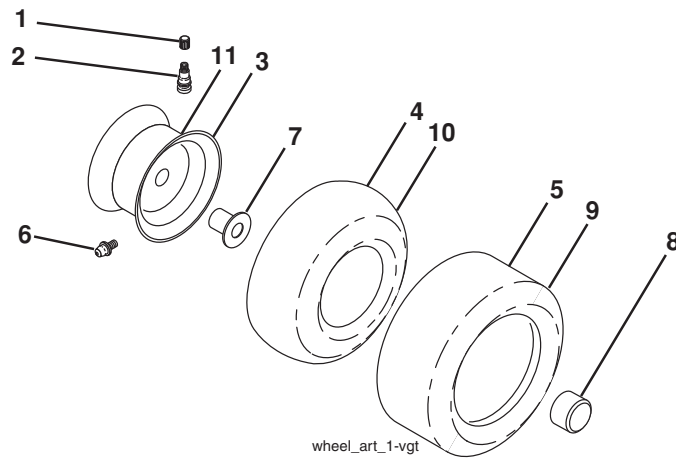
ITEM NO.	MFG. NO.	ARIENS PART NO.	DESCRIPTION
1	423010	21546703	Seat.Ta150.Kb/Sld.Blk.Ariens
2	180166	21546216	Bracket.Pivot.Fender.2002
3	140675	21546101	Strap Asm.Fender.94
6	73800600	21546787	Locknut, Washer Insert 3/8-16
7	124181X	21546074	Spring.Seat.Cprsn.2.250.Blk.Zi
8	171877	21546190	Bolt.5/16-18 unc x 3/4 w/Sems.Blk
10	196977	21546414	Pan Asm.Seat.3pt.
21	171852	21546189	Bolt.Shld.5/16-18 unc-2a.Blk D
37	73800500	21546786	Locknut, Washer Insert 5/16-18
40	197661	21546451	Handle.Slide.Seat.Tex.Milsco
41	198200	21546473	Spring.Latch.Seat.Tex
43	74760612	21546810	Bolt.Fin.Hex.3/8-16 unc x 3/4
44	19133812	21546288	Washer.13/32 x 2 3/8 x 12 Ga.

NOTE: All component dimensions given in U.S. inches
1 inch = 25.4 mm

TRACTOR - MODEL NO. 936039 (96046000301), PRODUCT NO. 9604600-03 DECALS



WHEELS AND TIRES



TRACTOR - MODEL NO. 936039 (96046000301), PRODUCT NO. 960 46 00-03DECALS

ITEM NO.	MFG. NO.	ARIENS PART NO.	DESCRIPTION
1	422808	21546688	Decal.Hood.RH.Precision.Ariens
2	422809	21546689	Decal.Hood.LH.Precision.Ariens
3	422812	21546692	Decal.Sdpnl.Pwrdby Kohl.Ariens
4	422855	21546698	Decal.Fender.Rear.Ariens
5	422816	21546695	Decal.Flag
6	419138	21547009	Decal, Warning Start Inst.
7	422811	21546691	Decal.Dash.Lower.20hp.Ariens
8	170563	21546186	Decal.Mower.Warn.Keep Hand Awy
9	145005	21546109	Decal.Bat.Dan/Poi P/L Sym.Wpn
10	422813	21546693	Decal.Fender.Side.Hydro.Ariens
11	428395	21547010	Decal, Replacement
13	422810	21546690	Decal.Wheel.Steer.Ariens
14	160396	21546145	Decal.V-Belt.Sch.42/46"Mec/Ele
--	166960	21546177	Decal.Bypass.Fender.Crd/Lt/Yt
--	193226X428	21546313	Pad.Footrest.LH.Tlt.Black.428
--	400981X428	21546566	Pad.Foot.Pedal.Control.Tlt.428
--	428419	21547011	Manual, Operator's (English/French)
--	428420	21547013	Manual, Parts (English/French)
--	428421	21547012	Manual, Operator's (Spanish)

NOTE: All component dimensions given in U.S. inches
1 inch = 25.4 mm

ITEM NO.	MFG. NO.	ARIENS PART NO.	DESCRIPTION
1	59192	21546747	Cap, Valve, Tire
2	65139	21546751	Stem, Valve
3	106732X428	21546038	Rim Assembly, Front
4	59904	21546748	Tube, Front
5	106222X	21546034	Tire, Front
6	278H	21546547	Fitting, Grease
7	9040H	21546832	Bearing, Flange
8	104757X428	21546024	Cap, Axle (Front Wheel Only)
9	420531	21546685	Tire, Rear 18 x 9.5-8 Turf Saver LT
10	7152J	21546755	Tube, Rear
11	106108X428	21546030	Rim Assembly, Rear
--	144334	21546845	Sealant, Tire (10 oz. Tube)

NOTE: All component dimensions given in U.S. inches
1 inch = 25.4 mm



Two-Year Limited Consumer Lawn Tractor Warranty

Ariens Company (Ariens) warrants to the **original purchaser** that Ariens brand consumer tractors will be free from defects in material and workmanship for a period of two years after the date of purchase. An authorized Ariens dealer will repair any defect in material or workmanship, and repair or replace any defective part, subject to the conditions, limitations and exclusions set forth herein. Such repair or replacement will be free of charge (labor and parts) to the original purchaser except as noted below.

90-Day Limited Warranty on Service Parts and Accessories

Genuine Ariens brand service parts and accessories are warranted to be free from defects in material and workmanship for a period of 90 days after the date of purchase. An authorized Ariens dealer will repair or replace any such part or accessory free of charge, except for labor, during that period.

The duration of all warranties herein applies only if the product is put to personal use around a household or residence. If the product is put to any business use, agricultural, commercial, or industrial, then the duration of these warranties shall be 90 days after the date of purchase. If any product is rented or leased, then the duration of these warranties shall be 90 days after the date of purchase.

Exceptions, Limitations, Exclusions

Customer Responsibilities

Register the product immediately at the time of sale. If the dealer does not register the product, the customer must complete the product registration card in the literature package and return it to the Ariens Company, or register the unit online at www.ariens.com.

To obtain warranty service, the **original purchaser** must:

- Perform the maintenance and minor adjustments explained in the owner's manual.
- Promptly notify Ariens or an authorized Ariens service representative of the need for warranty service.
- Transport the product to and from the place of warranty service.
- Have the warranty service performed by an authorized Ariens service representative.

To find an Ariens authorized service representative, contact Ariens at:

655 W. Ryan Street
Brillion, WI 54110
(800) 317-5898
(920) 756 - 2141
www.ariens.com

Exceptions and Limitations

- Batteries are warranted only for a period of 12 months after date of purchase, on a prorated basis. For the first 90 days of the warranty period, a defective battery will be replaced free of charge. If the applicable warranty period is more than 90 days, Ariens will cover the prorated cost of any defective battery, for up to 12 months after the date of purchase.

Exclusions – Items Not Covered by This Warranty

- Engines and engine accessories are covered only by the engine manufacturer's warranty and are not covered by this warranty.
- Parts that are not genuine Ariens service parts are not covered by this warranty.
- The following maintenance, service and replacement items are not covered by this warranty unless they are noted in the Limitations section above: lubricants, spark plugs, oil, oil filters, air filters, fuel filters, brake linings, brake arms, shoes, runners, belts, scraper blades, shear bolts, mower blades, mower vanes, headlights, light bulbs, knives, cutters.
- Any misuse, alteration, improper assembly, improper adjustment, neglect, or accident which requires repair is not covered by this warranty.
- This warranty applies only to products purchased in the United States (including Puerto Rico) and Canada. In all other countries, contact place of purchase for warranty information.

Disclaimer

Ariens may from time to time change the design of its products. Nothing contained in this warranty shall be construed as obligating Ariens to incorporate such design changes into previously manufactured products, nor shall such changes be construed as an admission that previous designs were defective.

LIMITATION OF REMEDY AND DAMAGES

Ariens Company's liability under this warranty, and under any implied warranty that may exist, is limited to repair of any defect in workmanship, and repair or replacement of any defective part. Ariens shall not be liable for incidental, special, or consequential damages (including lost profits). Some states do not allow the exclusion of incidental or consequential damages, so the above limitation or exclusion may not apply to you.

DISCLAIMER OF FURTHER WARRANTY

Ariens Company makes no warranty, express or implied, other than what is expressly made in this warranty. If the law of your state provides that an implied warranty of merchantability, or an implied warranty of fitness for particular purpose, or any other implied warranty, applies to Ariens Company, then any such implied warranty is limited to the duration of this warranty. Some states do not allow limitations on how long an implied warranty lasts, so the above limitation may not apply to you.

This warranty gives you specific legal rights, and you may also have other rights which vary from state to state.



Ariens Company
 655 West Ryan Street
 Brillion, WI 54110-1072
 800-317-5898
 www.ariens.com

PARTS AND SERVICE

This product has been expertly engineered and carefully manufactured to rigid quality standards. As with all mechanical products, some adjustments or part replacement may be necessary during the life of your unit.

For parts and service, contact your local Ariens dealer. To find a dealer in your area, call 1-800-317-5898, or use the Dealer Locator on our web site, www.ariens.com.

- For replacement parts, have available the following information:
 - a. Model Number/Manufacturer's I.D. Number.
 - b. Description of part.

For Technical Assistance: call 1-800-317-5898.

For a Parts Manual, go to our website: www.ariens.com/customerservice/default.aspx

MODEL NUMBER _____

SERIAL NUMBER _____

DATE OF PURCHASE _____

THE MODEL AND SERIAL NUMBERS WILL BE FOUND ON A DECAL ATTACHED TO THE FENDER UNDER THE SEAT OF YOUR TRACTOR.

YOU SHOULD RECORD BOTH SERIAL NUMBER AND DATE OF PURCHASE AND KEEP IN A SAFE PLACE FOR FUTURE REFERENCE.

Ariens

PRODUCT	MAINTENANCE LEVEL	SERIAL
960460003	00	120108A001234
MODEL		
936039 / A20K46YT		
46" Precision Hydro Tractor		

FOR SERVICE CALL 1-800-317-5898 CONFORMS TO ANSI B71.1-2003 SAFETY STANDARDS
 ASSEMBLED IN U.S.A. 424354
 ORANGEBURG, SC 29116

MODEL NUMBER (callout pointing to 936039 / A20K46YT)

SERIAL NUMBER (callout pointing to 120108A001234)



Ariens Company
 655 West Ryan Street
 Brillion, WI 54110-1072
 800-317-5898
 www.ariens.com

L'ENTRETIEN ET LES PIÈCES DE RECHANGE

Ce produit, conçu avec les soins les plus attentifs, est fabriqué en accord avec des standards stricts. Comme pour tous les produits avec des parties mobiles, il peut être nécessaire pendant la durabilité de votre machine d'effectuer des ajustements ou le remplacement de certaines pièces.

• Pour les pièces de rechange et l'entretien, contactez notre concessionnaire autorisé: appelez 1-800-317-5898

A. Numéro du modèle/Référence numéro du fabricant

B. Description de la pièce

Pour l'assistance technique: appelez 1-800-317-5898

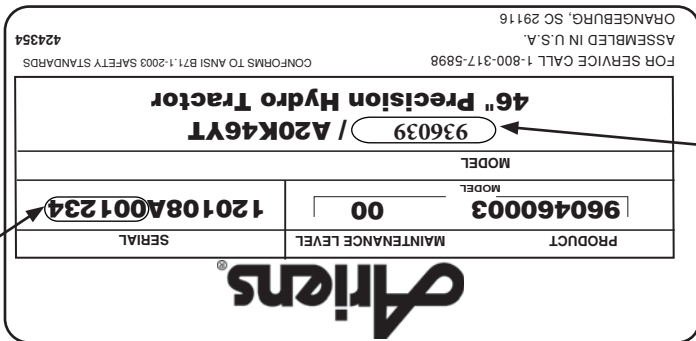
Pour un manuel de pièces, allez à notre site web: www.ariens.com/customer-service/default.aspx

NUMÉRO DU MODÈLE _____

NUMÉRO DE SÉRIE _____

DATE D'ACHAT _____

LE NUMÉRO DU MODÈLE ET SÉRIE SONT TROUVÉS SUR UN DÉCALCOMANIE SUR L'AILE SOUS LA LE SIÈGE DE VOTRE TRACTEUR. DEVRIEZ-VOUS ENREGISTRER TOUT LE NUMÉRO DU MODÈLE ET SÉRIE ET CONSERVEZ-VOUS DANS UN ENDROIT SÛR POUR RÉFÉRENCE DANS LA FUTUR.



NUMÉRO DU MODÈLE

NUMÉRO DE SÉRIE

Exceptions et Limitations

- Les batteries ne sont garanties, au prorata, que pendant une période de douze (12) mois après la date d'achat. Pendant les premiers (90) jours de la garantie, une batterie défectueuse sera remplacée gratuitement. Si la période de garantie applicable est supérieure à 90 jours, Ariens couvrira le coût au prorata de toute batterie défectueuse, jusqu'à douze (12) après la date d'achat.

Exclusions – Points non couverts par cette garantie

- Les moteurs et les accessoires moteur ne sont couverts que par le fabricant du moteur, cette garantie ne les couvre pas.
- Les équipements Eye-Q™ et Scan-Mate™ sont couverts par leur propre garantie et ne sont pas couverts par cette garantie
- Les pièces de rechange qui ne sont pas d'origine Ariens ne sont pas couvertes par cette garantie. L'entretien, le service et les pièces de rechange suivantes ne sont pas couvertes par cette garantie, aux limitations indiquées plus haut près : lubrifiants, bougies, huile, filtres à air, filtre à carburant, garnitures de frein, semelles, patins, lames de raclage, bouillons à tête cassante, lames de coupe, pales de coupe, phares, ampoules, couteaux, cutters.
- Tout défaut résultant d'une mauvaise utilisation, d'altération, d'un montage ou d'un réglage incorrect, d'une négligence ou d'un accident nécessitant une réparation, n'est pas couvert par cette garantie.
- Cette garantie ne s'applique qu'aux produits achetés aux États-Unis (comprenant Porto Rico) et au Canada. Dans les autres pays, contacter le vendeur pour obtenir les informations concernant la garantie.

Déni de responsabilité

Ariens peut, de temps en temps, modifier la conception de ses produits. Rien de cette garantie ne constitue une obligation d'Ariens Company d'apporter ces changements aux produits déjà fabriqués. Ces changements ne signifient en aucun cas que les conceptions précédentes étaient défectueuses.

LIMITATIONS DE RECOURS ET DE DOMMAGES

La responsabilité de la société Ariens au titre de cette garantie, ainsi que de toute garantie implicite qui pourrait exister, est limitée à la réparation de toute défectuosité et à la réparation ou au remplacement de toute pièce défectueuse. Ariens ne saurait être tenu responsable de dommages accessoires, particuliers ou indirects (y compris les pertes de profits). Des états n'autorisent pas l'exclusion de dommages particuliers ou indirects, auquel cas les limitations et exclusions précédentes peuvent ne pas s'appliquer à vous.

DÉNI DE RESPONSABILITÉ SUPPLÉMENTAIRE

La société Ariens n'assure aucune garantie, implicite ou explicite, autre que celle exprimée dans cette garantie. Si la loi de l'état prescrit qu'une garantie implicite de qualité marchande ou d'adaptation à une utilisation particulière s'applique à Ariens, une telle garantie se limite à la durée de cette garantie explicite. Certains états n'autorisent pas les limitations de durée de garantie implicite, auquel cas les limitations précédentes peuvent ne pas s'appliquer à vous.

Cette garantie vous donne des droits légaux spécifiques; d'autres droits peuvent s'appliquer en fonction de votre État de résidence.

ARIENS COMPANY

GRAVELLY® | STENS® | LOCKE® | NATIONAL® | BYNORM® | EVERRIDE® | GREAT DANE®

Con_Tractor_2009
2 sur 2

Garantie jardinage de deux ans pour les utilisateurs privés de Tracteur



La société Ariens (Ariens) garantit l'acheteur d'origine que les produits tracteur des marques Ariens contre tout défaut de matériau et de main-d'œuvre pendant une période de deux ans suivant la date initiale d'achat. Un concessionnaire Ariens autorisé réparera tout défaut de matériau ou de main-d'œuvre et réparera ou remplacera toute pièce défectueuse, selon les conditions, limitations et exclusions indiquées ici. Cette réparation ou remplacement se fera sans frais pour l'acheteur d'origine (main-d'œuvre et pièces), sauf pour les exceptions suivantes.

90 jours de garantie limitée pour les pièces de rechange et les accessoires.

Les pièces de rechange et accessoires d'origine de la marque Ariens sont garanties contre les défauts de matériau et de main d'œuvre pendant une période de 90 jours suivant la date d'achat. Un concessionnaire Ariens autorisé réparera ou remplacera gratuitement la pièce de rechange ou l'accessoire, à l'exception de la main d'œuvre, pendant cette période.

La durée de toutes les garanties ci-après ne s'applique qu'à des produits utilisés à titre personnel dans un domicile ou une résidence. Si le produit est utilisé de façon professionnelle, agricole, commerciale ou industrielle, la durée de ces garanties sera de 90 jours suivant la date d'achat. Si un produit est loué ou mis en leasing, la durée de ces garanties est de 90 jours suivant la date d'achat.

Exceptions, limitations, exclusions,

Responsabilités du client

Enregistrer le produit immédiatement au moment de la vente. Si le concessionnaire n'enregistre pas le produit, le client doit remplir la carte d'enregistrement qui se trouve dans la littérature d'accompagnement et la retourner à la société Ariens, ou enregistrer l'équipement en ligne sur www.ariens.com. Pour bénéficier de la garantie, l'acheteur initial devra répondre aux conditions suivantes:

- L'acheteur doit effectuer l'entretien et les réglages mineurs en conformité avec le manuel du propriétaire.
- L'acheteur doit rapidement aviser le représentant Ariens agréé si un service sous garantie est nécessaire.
- L'acheteur doit assurer le transport du produit vers/du lieu où la réparation sous garantie sera effectuée.
- Le service de garantie doit être effectué par un concessionnaire agréé par Ariens.

Pour connaître un représentant de service Ariens autorisé, contacter Ariens à :

655 W. Ryan Street
Brillion, Wisconsin 54110
(800) 317 - 5898
(920) 756 - 2141
www.ariens.com

ARIENS COMPANY

GRAVELLY® | STENS® | LOCKE® | NATIONAL® | BYNORM® | EVERRIDE® | GREAT DANÉ®

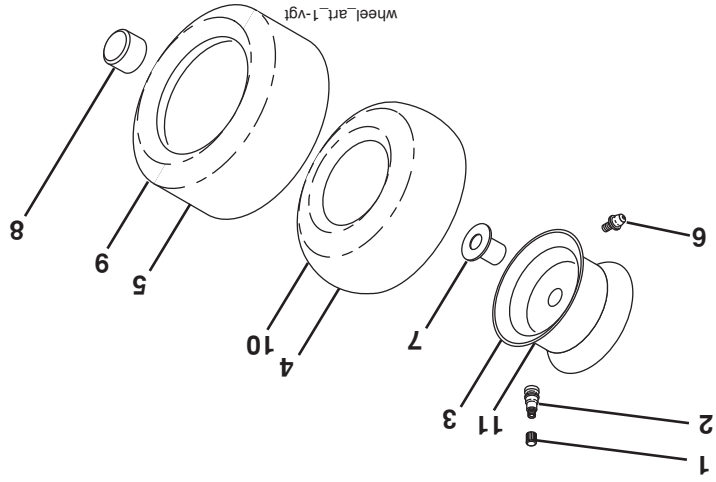
Con_Tractor_2009
1 sur 2

NO. NO. DE D'OBJ. FAB.	NO. PIÈCE ARIENS	DESCRIPTION
1	422808	Décalcomanie, Capot C.D.
2	422809	Décalcomanie, Capot C.L.
3	422812	Décalcomanie, Panneau côté "Kohler"
4	422855	Décalcomanie, Pare-chocs de devant
5	422816	Décalcomanie, Drapreau
6	419138	Décalcomanie, Avertissement
7	422811	Décalcomanie, Tableau du bord inférieur
8	170563	Décalcomanie, Avertissement pour des Mains
9	145005	Décalcomanie, Batterie
10	422813	Décalcomanie, Panneau côté
11	428395	Décalcomanie, Remplacement
13	422810	Décalcomanie, Volant de direction
14	160396	Décalcomanie, Courroie "V"
--	166960	Décalcomanie, Dérivation
--	1932226X428	Coussin de repose-pied C.G.
--	400981X428	Coussin de repose-pied pédale du contrôle
--	428419	Manuel de l'opérateur (Anglais/Français)
--	428420	Manuel du pièces (Anglais/Français)
--	428421	Manuel de l'opérateur (Espagnol)

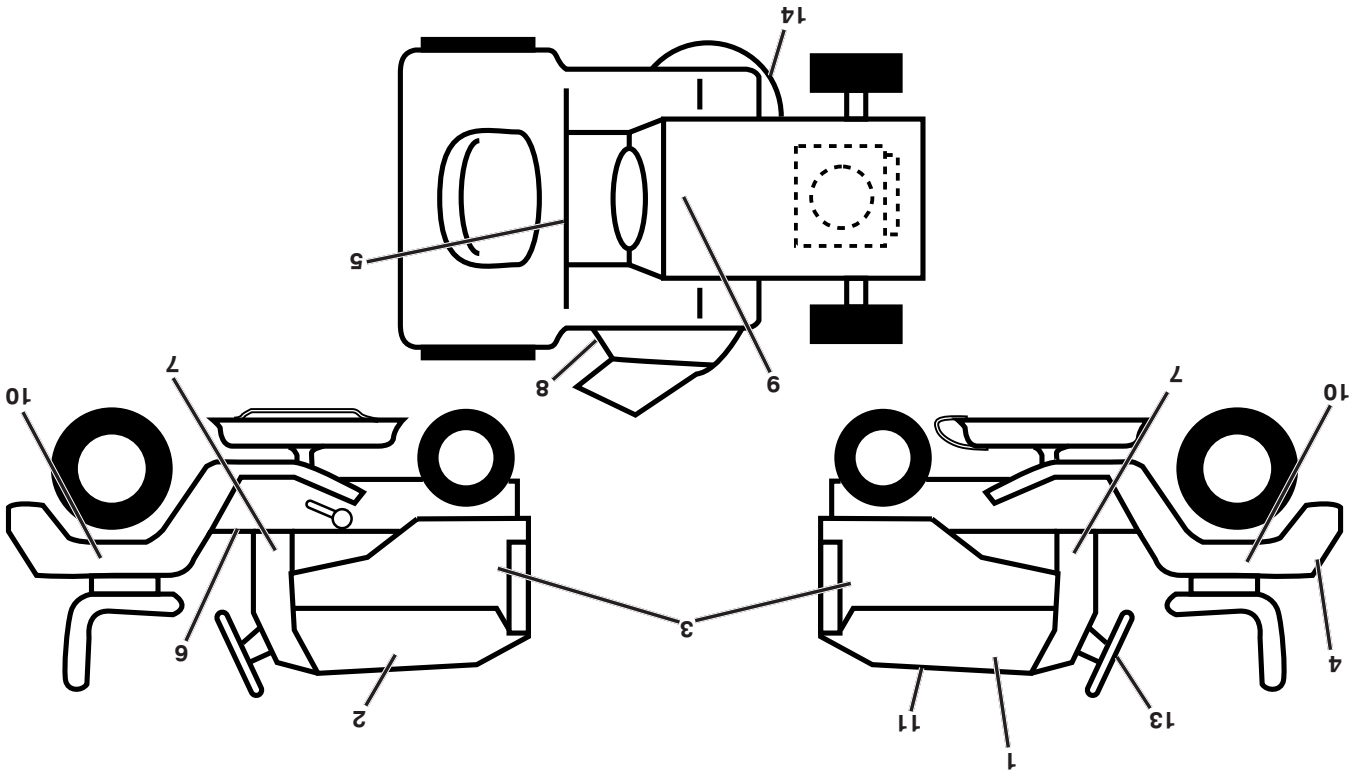
Remarque: Toutes les dimensions de composant sont données en pouces E.-U. --1 pouce = 25,4 mm

NO. NO. DE D'OBJ. FAB.	NO. PIÈCE ARIENS	DESCRIPTION
1	59192	Chapeau de soupape du pneu
2	65139	Tuyau du soupape
3	106732X428	Assemblage de la jante antérieure
4	59904	Chambre à air antérieure
5	106222X	Pneu antérieur
6	278H	Graisneur
7	9040H	Palier à collerette
8	104757X428	Chapeau de l'essieu (Roue antérieure seulement)
9	420531	Pneu arrière 18 x 9.5-8 "Turfsaver LT"
10	7152J	Chambre à air arrière
11	106108X428	Assemblage de la jante arrière
--	144334	Joint d'étanchéité de pneu (tube de .30L [10 oz. Tube])

Remarque: Toutes les dimensions de composant sont données en pouces E.-U. --1 pouce = 25,4 mm

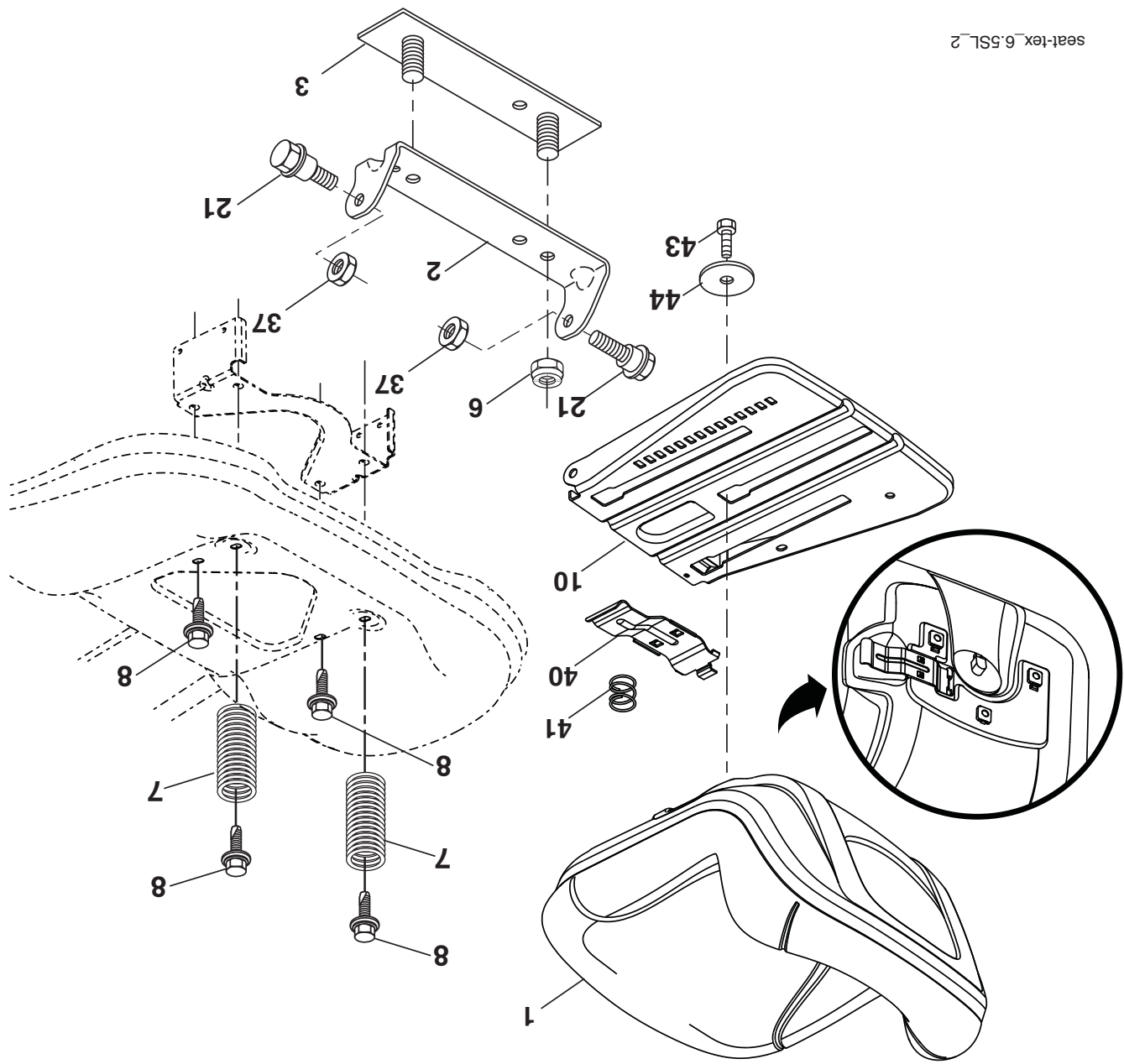


ROUES & PNEUS



NO. DE D'OBJ. FAB.	NO. DE ARIENS	DESCRIPTION
423010	21546703	Siège
180166	21546216	Support de pivot
140675	21546101	Support de siège
73800600	21546787	Contre-écrou avec rondelle insert 3/8-16
124181X	21546074	Ressort de compression du siège
171877	21546190	Boulon 5/16-18 unc x 3/4
196977	21546414	Panneau du siège
171852	21546189	Boulon 5/16-18
73800500	21546786	Contre-écrou avec rondelle insert 5/16-18
197661	21546451	Poignée glissant du siège
198200	21546473	Ressort du loquet
74760612	21546810	Boulon 3/8-16 unc x 3/4
19133812	21546288	Rondelle 13/32 x 2 3/8 x 12 Ja.

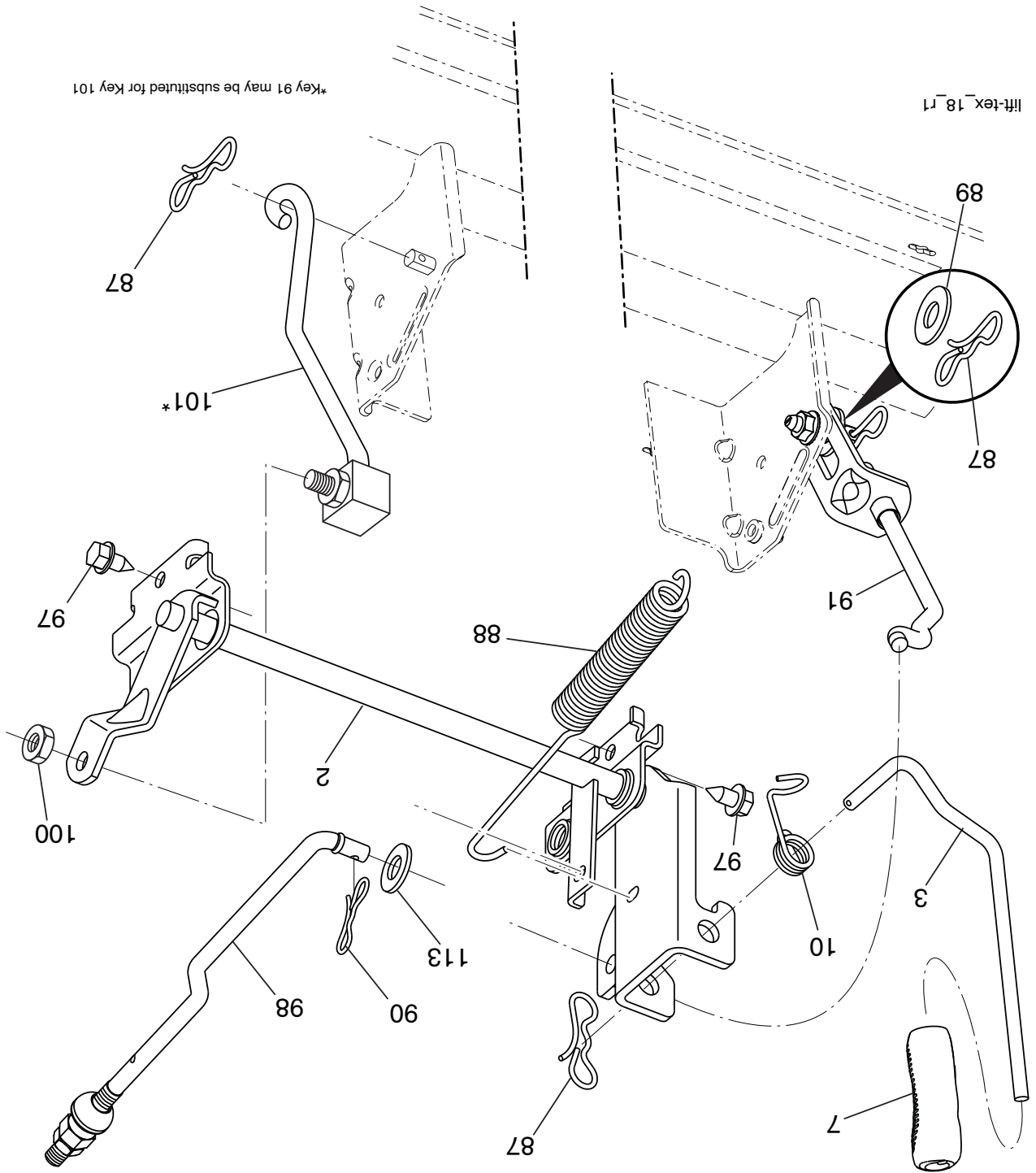
Remarque: Toutes les dimensions de composant sont données en pouces E.-U. --1 pouce = 25,4 mm



seat-tex_6.SSL_2

NO. DE D'OBJ. FAB.	NO. DE ARIENS	DESCRIPTION
2	422027	Ensemble de l'arbre
3	195231	Levier de levage
7	196492X428	Poignée noir du levier
10	196314	Ressort de torsion
87	194209	Goupille fendue 7/16
88	410710	Ressort du levage
89	19171912	Rondelle 17/32 x 1-3/16 x 12 Ja.
90	194208	Goupille fendue 5/16
91	195181	Tige de levage (C.G)
97	17000612	Vis 3/8-16 x 3/4
98	195270	Tige de levage
100	73930600	Écrou
101	407003	Tige de Levage du suspension avant
113	19191912	Rondelle

Remarque: Toutes les dimensions de composant sont données en pouces E.-U. -- 1 pouce = 25,4 mm



*Key 91 may be substituted for Key 101

litt-tex_18_r1

NO. DE D.OBJ. FAB.	NO. DE PIÈCE	DESCRIPTION
1	405049X422	Tondeuse du gazon
2	405506	Covercle du mandrin 46" (C.D.)
3	405507	Covercle du mandrin 46" (C.G.)
6	195186	Tige du suspension
7	416358	Vis
8	193003	Boulon/Rondelle 7/16-20 unft
11	405380	Lame 46"
13	192872	L'Assemblée d'arbre, mandrin
14	187281	Boîtier de mandrin
15	110485X	Pallier du mandrin
19	196539	Boulon
21	73680500	Ecroû 5/16-18 unc
23	192557	Support de Défecteur
24	105304X	Chapeau noir
25	197026	Ressort
26	110452X	Ecroû
27	405357	Défecteur noir de tondeuse, 46"
29	131491	Tige d'articulation
30	173984	Vis
31	187690	Rondelle
32	197473	Pouille de mandrin
33	400234	Contre-écrou collièrette
34	72110612	Boulon 3/8-16 x 1-1/2 Cat. 5
36	197379	Pouille de galeet-tendeur
37	19131316	Rondelle 13/32 x 13/16 x 16 Ja.
38	199189	Garde de courroie (C.G.)
40	73900600	Contre-écrou collièrette 3/8-16 unc
42	197256	Ressort de torsion de retenue
43	198410	Ressort de torsion du frein
46	137729	Vis 1/4-20 x 5/8
47	197250	Support du câble de commande d'embrayage
55	197249	Support du pouille
56	199092	Entretoise de retenue
57	17000616	Vis 3/8-16 x 1
59	141043	Garde de pouille
60	199471	Tige du frein du tondeuse 38/46"
63	199478	Tige du frein
64	405139	Tige du frein du tondeuse
67	198398X428	Poignée du câble de commande d'embrayage
68	405143	Courroie de tondeuse
69	72140505	Boulon 5/16-18 x 5/8
70	199679	Ressort de retenue de régulateur automatique de vitesse
113	17000510	Boulon 5/16-18
116	193406	Boulon
117	174873	Roue pour jauge
119	19132012	Rondelle 13/32 x 7/8 x 14 Ja.
122	197258	Garde du courroie (C.G.)
123	197259	Garde du courroie (C.D.)
144	199204	Garde du courroie
145	193197	Pouille de tension
147	401872	Ressort de Retour
152	408714	Câble d'Embrayage avec ressort
188	195161	Attache à tenon
189	73900500	Contre-écrou collièrette
195	17000612	Vis 3/8-16 x 3/4
197	19131312	Rondelle 13/32 x 13/16 x 12 Ja.
198	403149	Chicane au devant centre
199	403150	Chicane au devant droite
200	413524	Rondelle 13/32 x 1 x 1/2 11 Ja.
208	17670608	Vis 3/8-16 x 3/4
240	74520636	Boulon 3/8-16 x 2-1/4 Cat. 5
--	192870	Assemblage du mandrin (inclut boîtier, ensemble arbre, et dalle n'est pas inclus)
--	423803	Tondeuse du gazon pour remplacement, Complète

Remarque: Toutes les dimensions de composant sont données en pouces E.-U. --1 pouce = 25,4 mm

NO. DE D'OBJ. FAB.	NO. PIÈCE ARIENS	DESCRIPTION
1	414803X428	Volant de direction
2	418168	Assemblage d'essieu
4	403087	Fusée d'arbre (C.G.)
5	403088	Fusée d'arbre (C.D.)
6	6266h	Rondelle .75 x 1.230
7	121748X	Rondelle 25/32 x 1-5/8 x 16 Ja.
8	1200029	Anneau de retenue #T5304-75
9	121232x	Chapeau de fusée d'arbre
13	121749x	Rondelle 25/32 x 1-1/4 x 16 Ja.
14	10040600	Rondelle 3/8
15	73540600	Ecrox 3/8-24 unt
16	408219	Arbre de direction
19	194729	Plaque de direction
20	198375X428	Manchon de direction
21	186737	Adaptateur du volant de direction
22	420537	Support de direction, inférieur
26	414854X428	Chapeau du volant de direction
28	17000612	Vis 3/8-16 x 3/4
35	194732	Plaque de mécanisme denté
45	19183812	Rondelle 1 1/32 x 2-3/8 x 12 Ja.
51	73940800	Ecrox 1/2-20 unt
53	188967	Rondelle .793 x 1.637 x 060
57	407465	Support
58	194747	Boulon
59	194748	Rondelle
60	73971000	Contre-écrou collerette 5/8-11
61	194740	Tige de direction (C.G.)
62	194741	Tige de direction (C.D.)
63	17000512	Vis 5/16-18 x 3/4
64	199849	Collier de retenue
66	71020748	Boulon 7/16-14 x 3
67	194737	Coussinet
68	73900700	Contre-écrou collerette 7/16-14 Cat. 5
69	199162	Rondelle 1.5 x .505 x .118
70	196197	Support du suspension de tondeuse
74	3366R	Palier

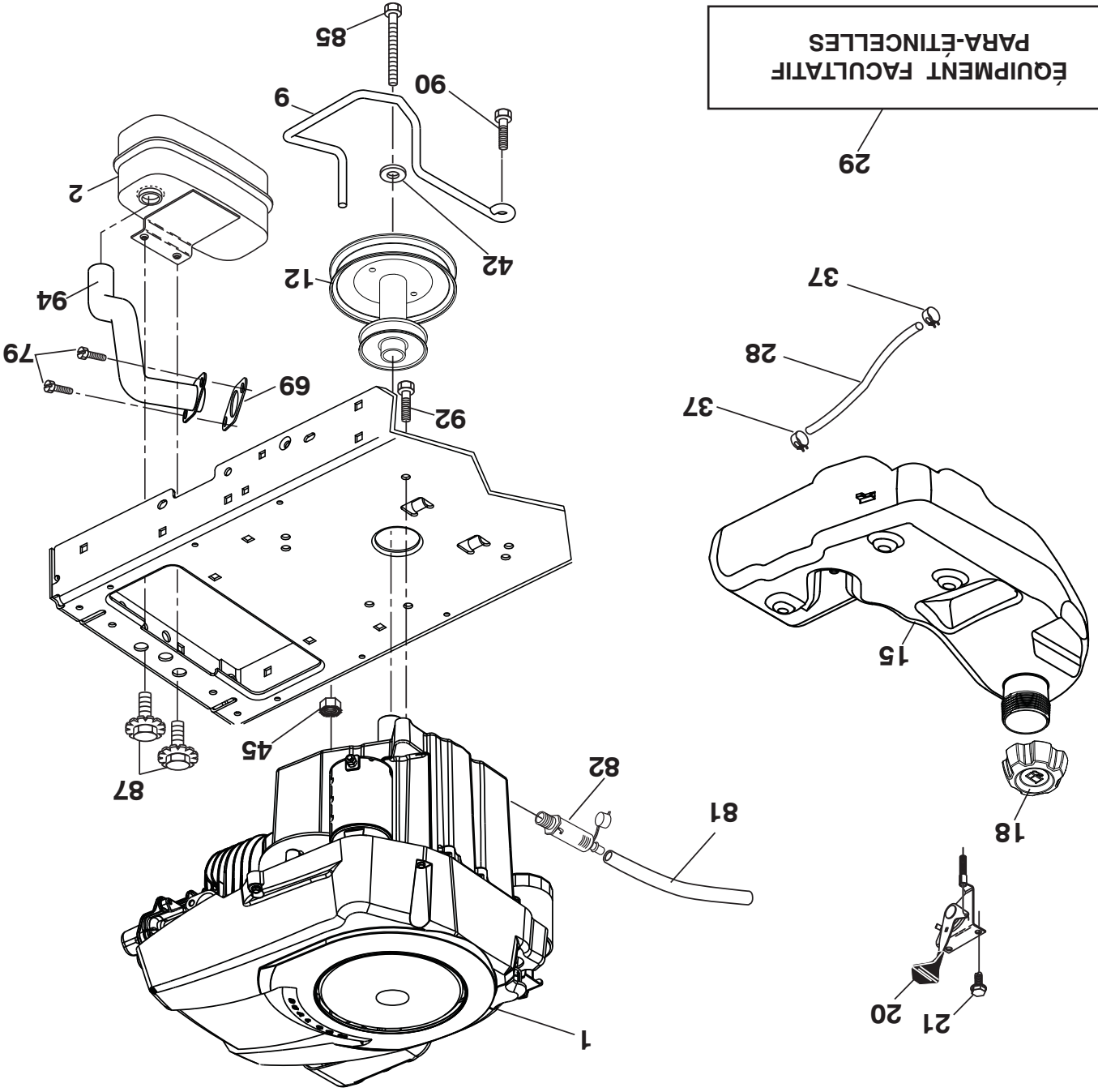
Remarque: Toutes les dimensions de composant sont données en pouces E.-U. --1 pouce = 25,4 mm

NO. DE D.OBJ. FAB.	NO. PIÈCE ARIENS	DESCRIPTION
1	----	Moteur Kohl No. de modèle SV600-0222
2	188655	Silencieux
9	194320	Garde du courroie du moteur
12	405472	Pouille du moteur
15	400021	Réservoir d'essence
18	195951	Chapeau d'essence
20	176636X428	Commande des gaz
21	416358	Vis
28	401135	Conduite d'essence
29	137180	Jeu de pare - étincelles
37	123487X	Collier de serrage pour tuyaux noir flexibles
42	10040700	Rondelle 7/16
45	73510400	Ecrou 1/4-20 unc
69	185909	Garniture
79	192334	Vis 5/16-18 x .75
81	148456	Tube de vidange d'huile
82	181654	Bouchon de vidange d'huile
85	173937	Boulon 7/16-20 x 4 x Cat. 5-1.5
87	171877	Boulon 5/16-18 unc x 3/4
90	17000616	Vis 3/8-16 x 1
92	17120616	Vis 3/8-16 x 1
94	188654	Tube d'échappement

REMARQUE: Toutes les dimensions de composant sont données en pouces E.-U. — 1 pouce = 25,4 mm.

Pour des pièces de service et de rechange de moteur, réclamez le numéro de téléphone libre pour votre fabricant de moteur énuméré ci-dessous:

Kohler Co. 1-800-544-2444



engine-tex_Kohl_11_r1

NO. D'OBJ.	NO. DE FAB.	NO. PIÈCE ARIENS	DESCRIPTION
1	----	----	Transmission Tufftorq K46 BT
2	123583X	21546070	Cle
15	19131316	21546284	Rondelle 13/32 x 13/16 x 16 Ja.
17	413678	21546654	Ressort du frein
26	199679	21546508	Ressort de retenue
29	403806	21546593	Tige du frein
33	12000001	21546051	Bague en E
35	197722	21546453	Tige du frein de stationnement
42	8883R	21546831	Couverture de la pédale
49	72110614	21546766	Boulon 3/8-16 unc x 1-3/4 Cat. 5
50	194327	21546331	Pouille du gâlet-tendeur
51	73900600	21546790	Écrou frein 3/8-16
52	194326	21546330	Gâlet-tendeur 910" Offset
56	130969	21546080	Courroie trapézoïdale
64	197865	21546465	Ensemble de l'arbre
73	74490544	21546798	Boulon H 5/16-18 Cat. 5
80	410024	21546637	Support
92	74760520	21546806	Boulon 5/16-18 x 1-1/4
99	415742	21546674	Tige de dérivation
116	73900500	21546789	Contre-écrou collièrette 5/16-18
125	17000512	21546180	Vis 5/16-18 x 3/4
143	17490508	21546199	Vis 5/16-18 x 1/2
153	4497H	21546739	Ressort de retenue
159	76020412	21546820	Goupille fendue 1/8 x 3/4
160	169484	21546178	Collier de retenue
161	105709X	21546028	Ressort de rappel d'embrayage 6.75
163	401034	21546567	Tige
166	197290	21546432	Écrou .625
167	405257	21546608	Loquet du frein de stationnement
170	413430	21546648	Garde du pouille
183	137057	21546087	Entroîse d'essieu
184	198403X505	21546477	Poignée de frein de stationnement
185	72110622	21546768	Boulon 3/8-16 unc x 2-3/4 Cat. 5
186	194321	21546328	Entroîse
187	19133210	21546287	Rondelle 13/32 X 2 X 10 Ja.
188	194323	21546329	Tige d'embrayage
189	194317	21546324	Support du pouilles
190	194318	21546325	Garde du pouille
205	121748X	21546066	Rondelle 25/32 x 1-5/8 x 16 Ja.
206	197867	21546467	Support de régulateur automatique de vitesse
207	197868	21546469	Loquet de régulateur automatique de vitesse
208	197869	21546470	Dents pour la régulateur automatique de vitesse
209	400769	21546561	Tige de régulateur automatique de vitesse
210	400980	21546565	Support de commande des pédales
211	120183X	21546061	Palier de nylon
213	400799X428	21546563	Poignée pour régulateur automatique de vitesse
214	421263	21547005	Pédale d'avant
215	197301X428	21546436	Pédale d'arrière
216	196131	21546385	Support de la pouille de tension
221	403187	21546588	Ressort du retenue
222	79212010	21546821	Rondelle 21/32 x 1-1/4 x 10 Ja.
225	403319	21546589	Guide-courroie
226	401564	21546575	Support
230	188967	21546272	Rondelle .793 X 1.637 x 060
231	407287	21546622	Pouille 1.688" contrebalance

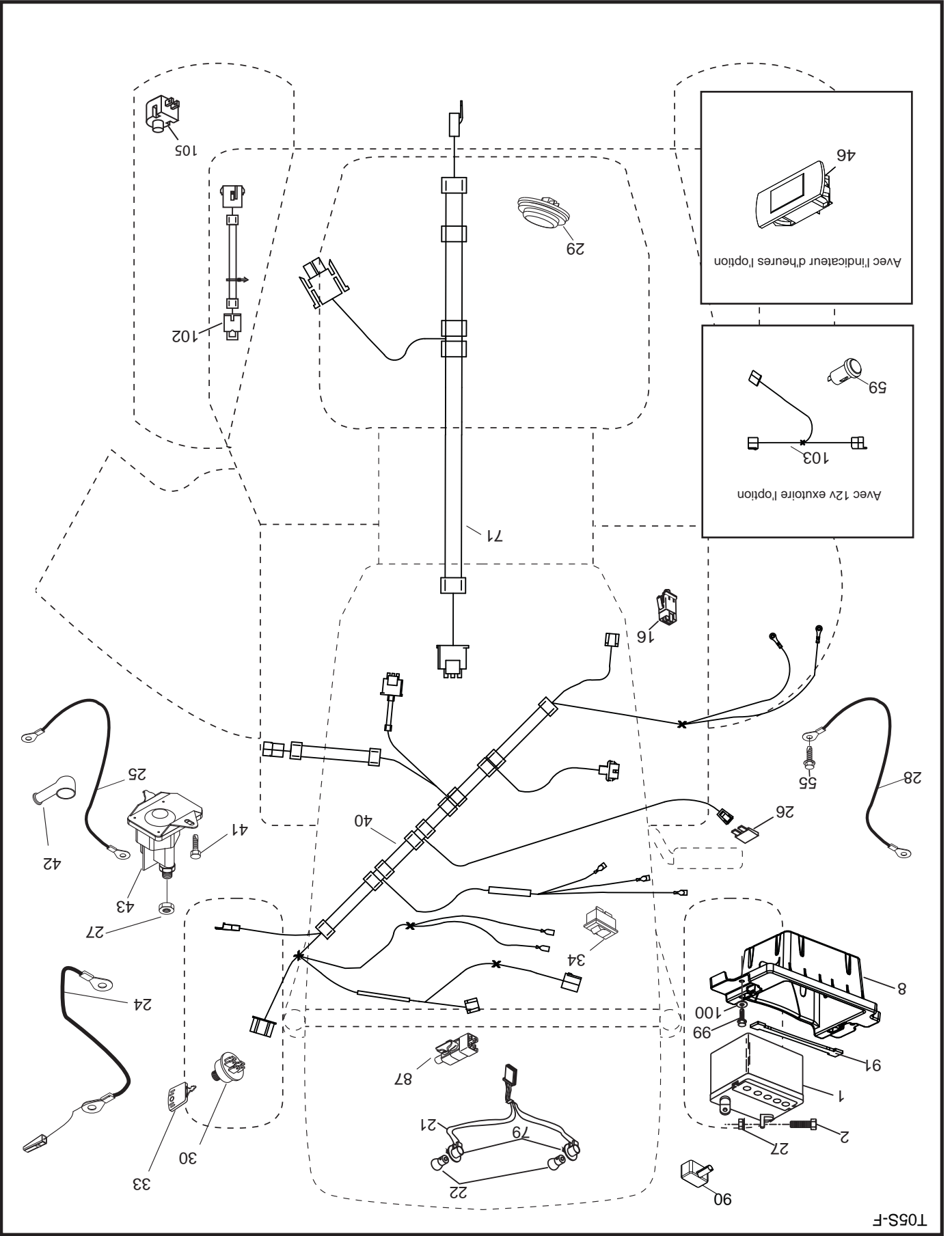
Remarque: Toutes les dimensions de composant sont données en pouces E.-U. --1 pouce = 25,4 mm

NO. D'OBJ.	NO. DE FAB.	NO. PIÈCE ARIENS	DESCRIPTION
5	40175X428	21546576	Tableau de bord
14	425404X422	21546867	Capot
15	188264X599	21546261	Lentille transparente (C.G.)
18	423179	21546708	Grille
25	188263X599	21546260	Lentille transparente (C.D.)
34	196125	21546384	Plaque de moteur
36	17060512	21546187	Vis 5/16-18 x 3/4
37	414878X422	21546669	Amortisseur
52	73680500	21546784	Ecroû auto-bloquant 5/16-18
58	412280	21546643	Barre d'attelage supérieur
68	17490508	21546199	Vis 5/16-18 x 1/2
130	416358	21546675	Vis
137	184921	21546230	Butoir grande du Capot
138	193224X428	21546311	Support De Tasse
150	189350	21546273	Conduit d'entrée d'air
151	407807	21546626	Support
152	199535	21546501	Bouclier de débris
159	17000612	21546181	Vis 3/8-16 x 3/4
161	193229X428	21546316	Lentille pour l'essence
162	142432	21546106	Vis 1/4x1/2
165	196826	21546413	Support d'essence
175	193243	21546317	Traverse
176	400776	21546562	Vis 10-24 x 5/8
177	195227	21546356	Coussinet
180	415063	21546670	Chassis
181	193102X428	21546304	Coussinet
182	193057	21546302	Tableau du bord inférieur
183	74780520	21546814	Boulon 5/16-18 x 1-1/4
189	17000512	21546180	Vis 5/16-18 x 3/4
191	188267	21546264	Insert de lentille
194	73900500	21546789	Contre-écrou collerette 5/16-18
196	414579	21546663	Assemblage du console
205	188265X428	21546262	Panneau plus bas (C.D.)
206	188266X428	21546263	Panneau plus bas (C.G.)
213	74760512	21546804	Boulon 5/16-18 unc x 3/4
217	409167	21546636	Tige de pivot du capot
218	196395	21546400	Bonde du capot
228	195161	21546343	Attache à tenon
235	406129	21546619	Entretoise du pare-chocs
236	73930500	21546793	Contre-écrou 5/16-18
287	17600406	21546204	Vis 1/4-20 x 3/8
297	416500	21546678	Insertion de lentille
-	404951X428	21546596	Bouchon

Remarque: Toutes les dimensions de composant sont données en pouces E.-U. -- 1 pouce = 25,4 mm

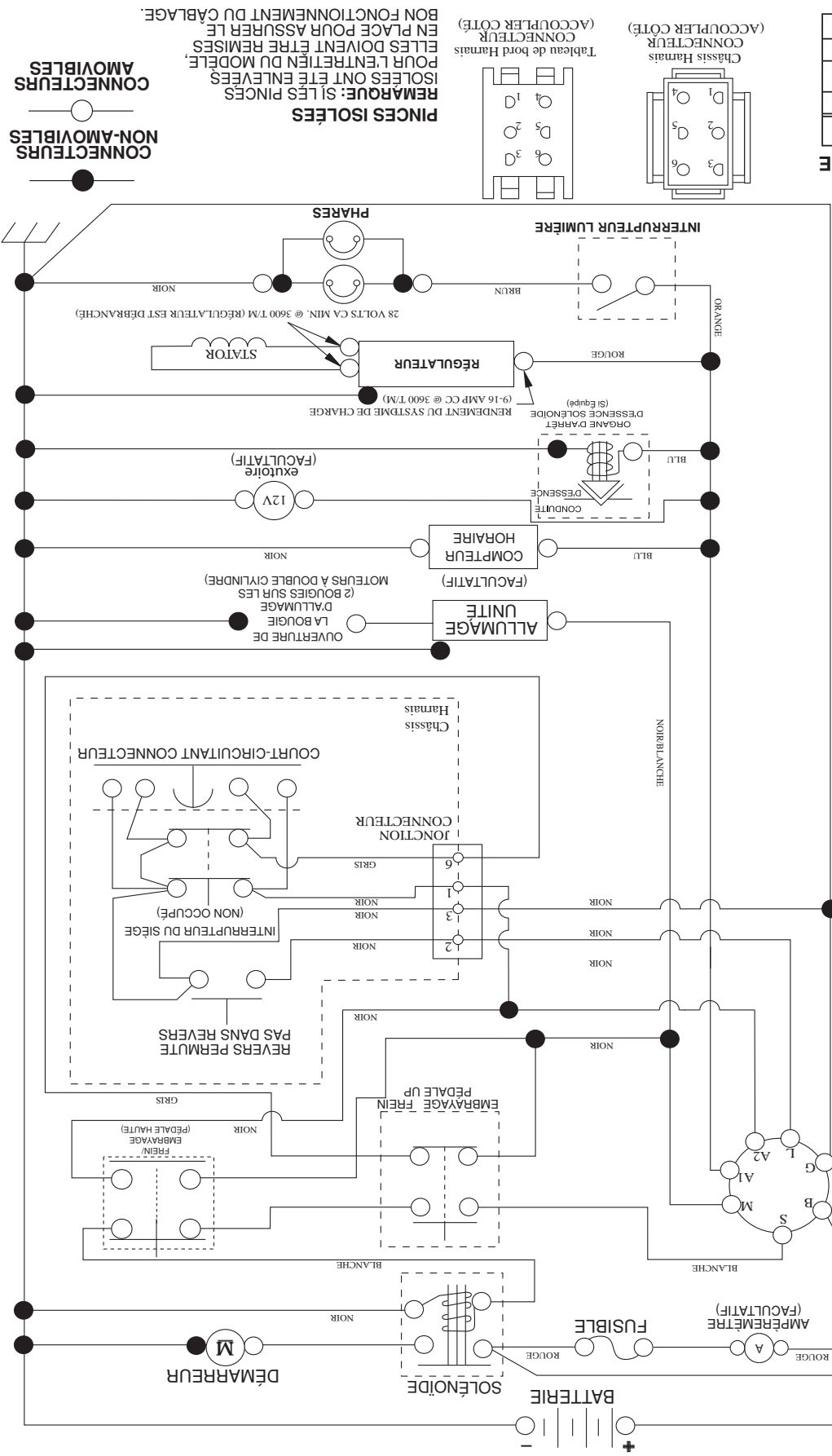
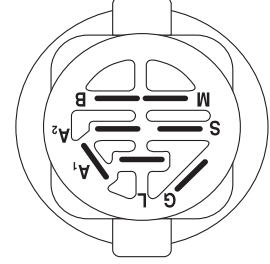
NO. D'OBJ.	NO. DE FAB.	NO. PIÈCE ARIENS	DESCRIPTION
1	163465	21546162	Batterie 12V
2	74760412	21546803	Boulon 1/4-20 unc x 3/4
8	186491	21546233	Bac de batterie
16	176138	21546205	Interrupteur d'enclenchement gris
21	183759	21546226	Harnais des prises de courant des phares (4152J)
22	4152J	21546673	Ampoule #1156
24	400253	21546556	Câble du tableau du bord
25	412894	21546646	Câble du démarreur
26	175158	21546200	Fusible.20 ampère
27	73510400	21546779	Ecrou 1/4-20 unc
28	145491	21546112	Câble noir.22".batterie arrière
29	401545	21546574	Interrupteur de siège
30	193350	21546319	Interrupteur d'allumage
33	411935	21546640	Cle/Chaîne
34	110712x	21546050	L'Interrupteur des phares
40	401098	21546568	Harnais d'allumage
41	17720408	21546210	Vis 1/4-20 x 1/2
42	131563	21546082	Couvercle de borne rouge
43	192507	21546294	Solénoïde avec plongeur laiton
55	17060512	21546187	Vis 5/16-18 x 3/4
71	194276	21546323	Harnais d'allumage
79	175242	21546201	Prise de courant d'ampoule
87	197802	21546457	Interrupteur de verrouillage de câble d'embrayage
90	400724	21546559	Couvercle du borne de batterie
91	190270	21546274	Sangle de batterie
99	17670412	21546207	Vis 10-14 x 2.0
100	19091416	21546277	Rondelle 9/32 x 7/8 x 16 Ja.
102	404454	21546594	Harnais
105	407568	21546625	Interrupteur de inverse

Remarque: Toutes les dimensions de composant sont données en pouces E.-U. --1 pouce = 25,4 mm



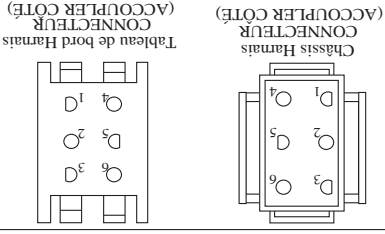
CONTACTEUR D'ALLUMAGE

POSITION	CIRCUIT "FAITS"
ARRÊT	M + G + A1
MARCHE/ ALLUMAGE	B + A1
MARCHE	B + A1
DÉMARRAGE	B + S + A1



CONNECTEURS AMOVIBLES
CONNECTEURS NON-AMOVIBLES

PINCES ISOLÉES
REMARQUE: SI LES PINCES ISOLÉES ONT ÉTÉ ENLEVÉES POUR L'ENTRETIEN DU MODÈLE, ELLES DOIVENT ÊTRE REMISES EN PLACE POUR ASSURER LE BON FONCTIONNEMENT DU CÂBLAGE.



COMMENT UTILISER CE MANUEL

Ce manuel a été dessiné pour fournir le client avec les moyens d'identification des pièces de détachées du tracteur quand il/elle a besoin de commander les pièces de rechange. Les illustrations ne peuvent pas représenter exactement le modèle que vous avez acheté. N'utilisez pas ce manuel comme un guide dans le montage et/ou démontage de votre tracteur. La visserie montrée est plus grande pour faciliter l'identification.

Chaque tracteur a un numéro de modèle particulier.

Le numéro de modèle du produit se trouvera sur l'aile, dessous le siège.

Lorsque vous commandez des pièces de rechange, donnez toujours les renseignements suivants:

- Produit - "Tracteur"
- Numéro du Modèle - "(936039) 96046000301"
- Numéro de la Pièce
- Description de la Pièce

TABLE DE MATIERES

SCHEMA.....	3
ELECTRIQUE.....	4-5
CHASSIS/ENCEINTES.....	6-7
ENTRAÎNEMENT.....	8-9
MOTEUR.....	10-11
ENSEMBLE DE LA DIRECTION.....	12-13
CARTER DE TONDEUSE.....	14-15
LEVIER DE LEVAGE DE LA TONDEUSE.....	16-17
ENSEMBLE DU SIÈGE.....	18-19
DECALCOMANIES.....	20-21
GARANTIE.....	22-23
L'ENTRETIEN ET LES PIÈCES DE RECHANGE.....	24



TRACTEUR DE VITESSE MANUEL DES PIÈCES

Modèles

936039 46" Tracteur Precision à Hydrostatique



FRANÇAIS (F)