

# Instruction Sheet

## Kit Number: 78807300

### PRO-WALK LIGHT KIT



**WARNING: FAILURE TO FOLLOW INSTRUCTIONS** could result in personal injury and/or damage to unit.

Read, understand, and follow all safety practices in Operator's Manual before beginning.

### Package Contents

Check the contents of your kit for the parts listed below. Also see Figure 1.

Item	Description	Qty	Ariens P/N
1	Right-Side Light Bracket	1	05144953
2	Left-Side Light Bracket	1	05145053
3	6-LED Light With Connectors	2	04821100
4	Pro-Walk Light Harness	1	05144700
5	2-Pole Rocker Switch	1	08973300
6	5/16"-18 x 1" Round Head Square Neck Bolt	4	06200237
7	5/16"-18 Locking Center Flange Nut	4	06528700
8	J-Clamp	2	06916000
9	5 1/2" Cable Tie	2	07517300

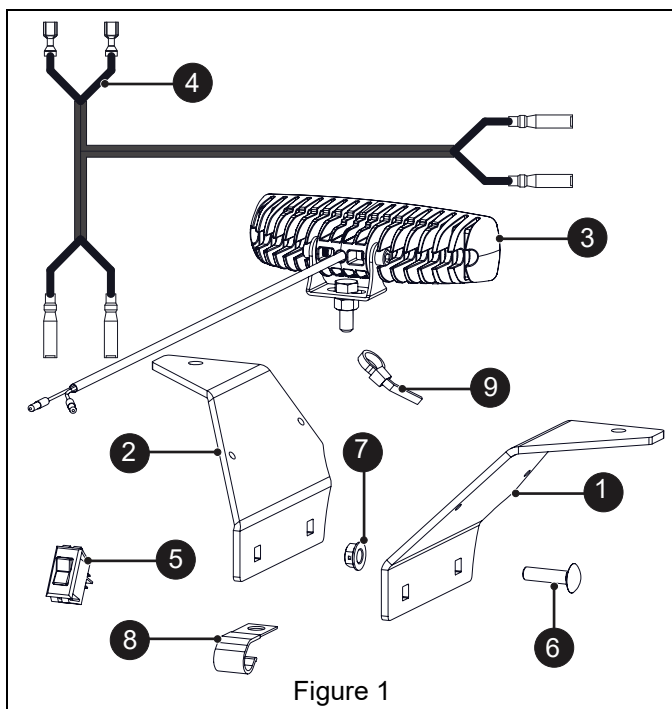


Figure 1

### REMOVAL

**IMPORTANT:** All references to the left, right, front or rear are given from the perspective of the operator in the operator's position, facing the direction of forward travel.

1. Stop engine, remove key and engage parking brake. Wait for moving parts to stop and for hot parts to cool.
2. Remove two wing knobs retaining battery cover and remove battery cover. See Figure 2.
3. Disconnect negative battery cable.

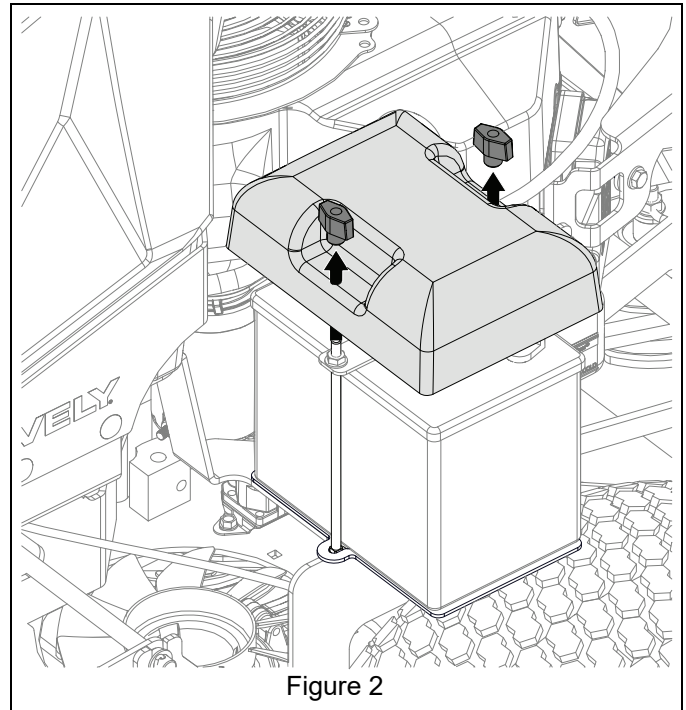


Figure 2

4. Remove and retain five 1/4" x 1/2" tapping screws retaining right side cover and remove cover. See Figure 3.

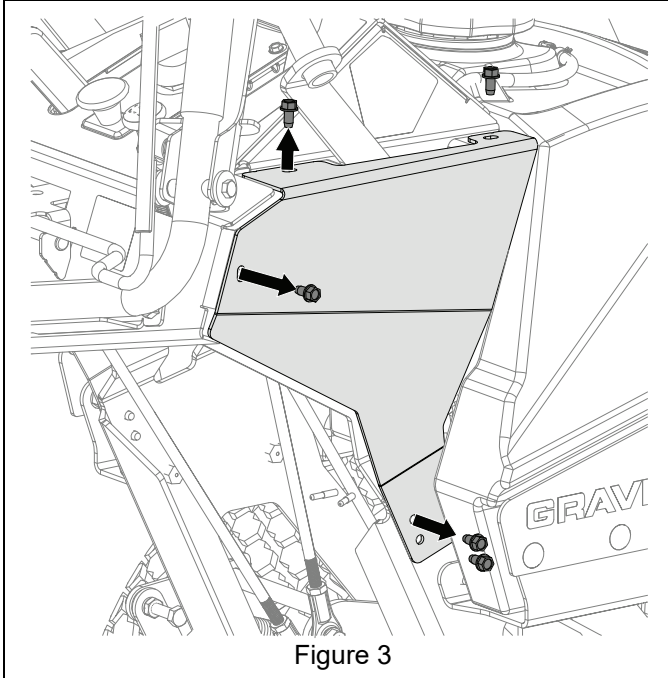


Figure 3

5. Remove and retain five 1/4" x 1/2" tapping screws retaining left side cover and remove cover. See Figure 4.

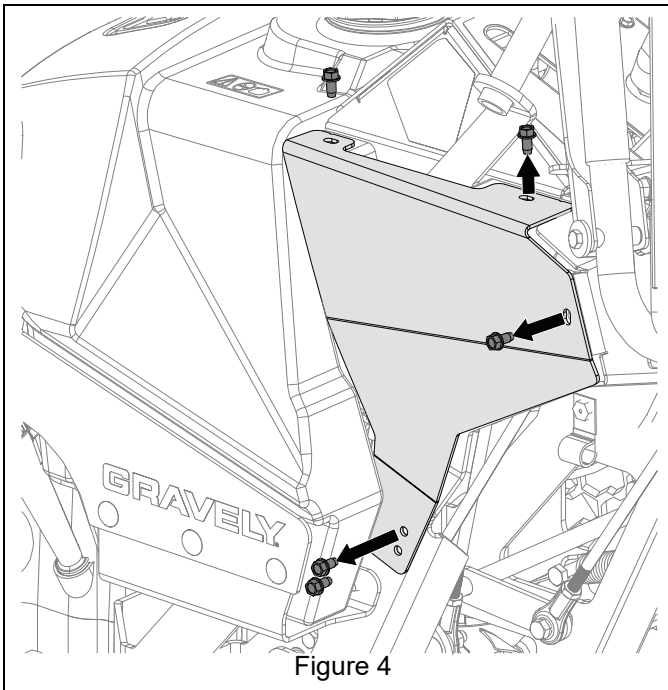


Figure 4

6. Remove and retain three 5/16" x 3/4" hex bolts and flat washers and one 5/16" x 1" hex bolt and flat washer securing left and right side of fuel tank. See Figure 5.

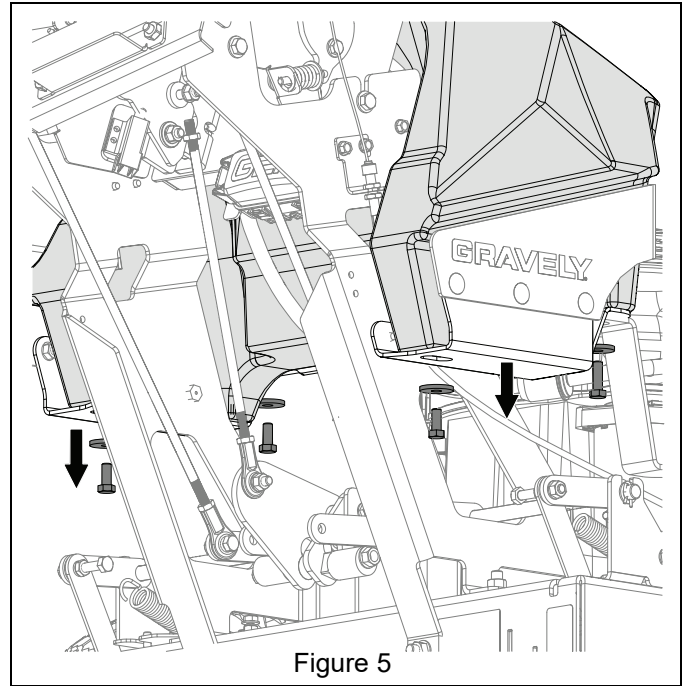


Figure 5

7. Disconnect fuel hoses at tank inlet and rollover valve. See Figure 6.

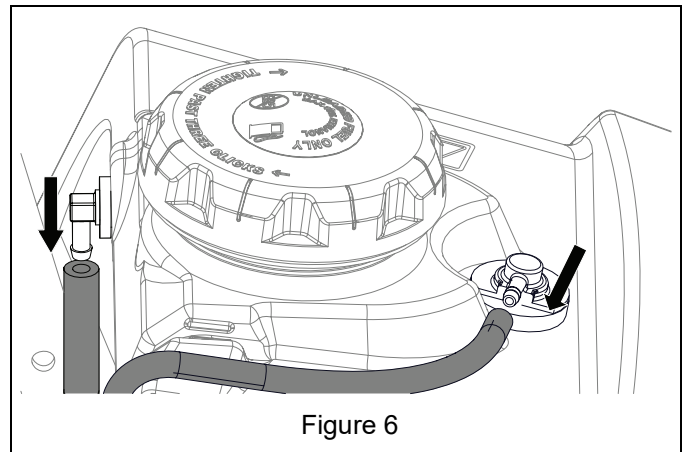
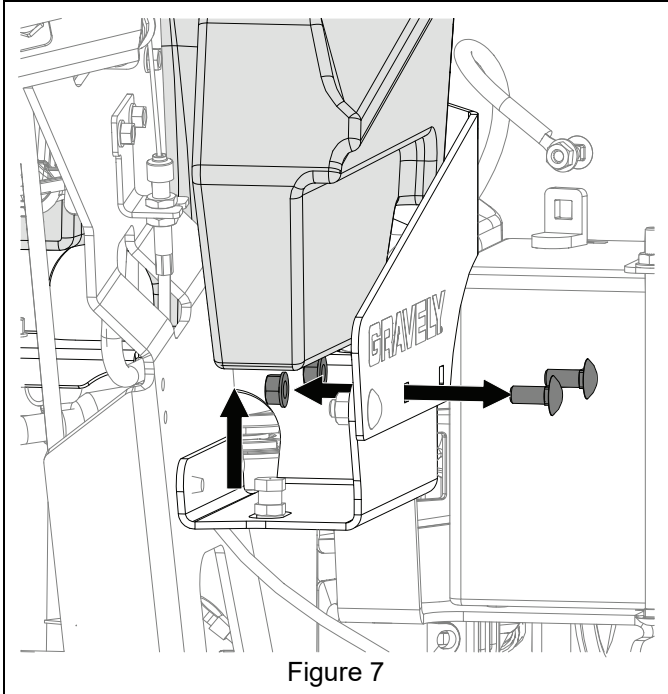
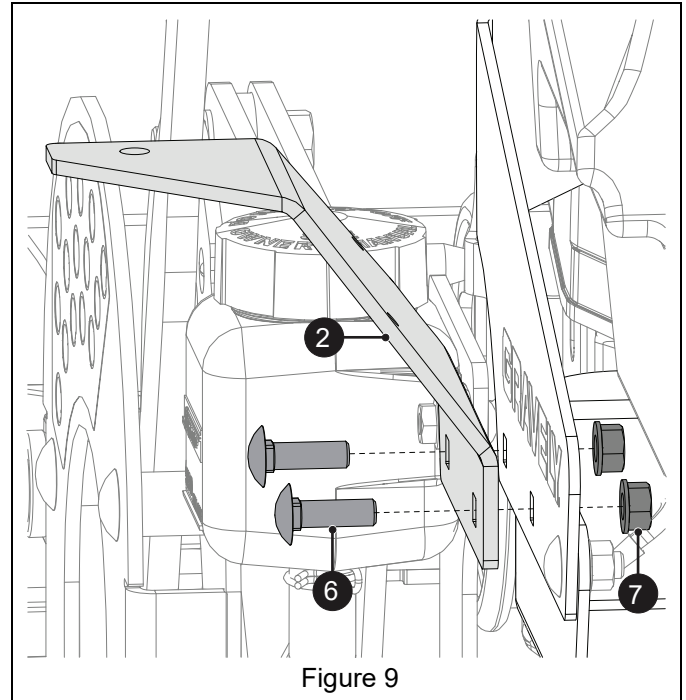


Figure 6

- Remove two front and two center 5/16" x 3/4" round head square neck bolts and locking nuts retaining fuel tank bracket to left and right panels. Lift, but DO NOT remove the fuel tank to gain access to the lock nuts. Discard hardware. See Figure 7.

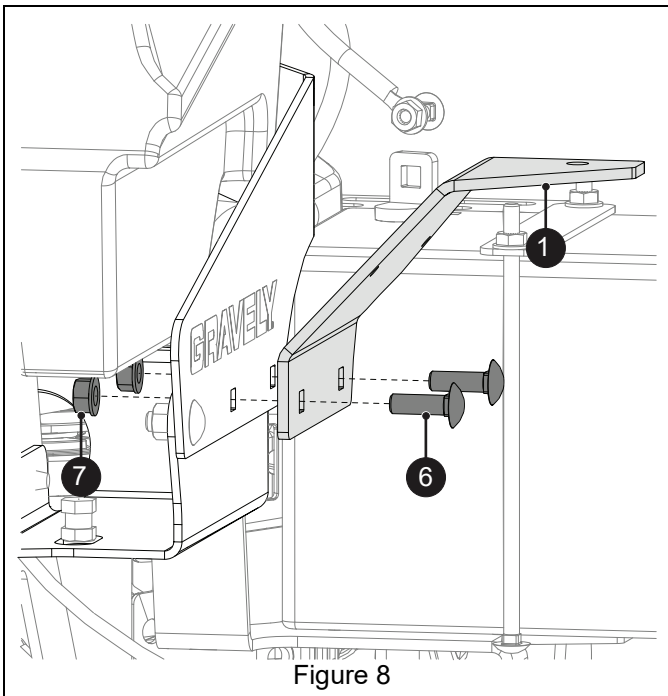


- Secure left headlight mounting bracket (item 2) to left fuel tank panel with two 5/16" x 1" round head square neck bolts (item 6) and two 5/16" locking center flange nuts (item 7). See Figure 9.

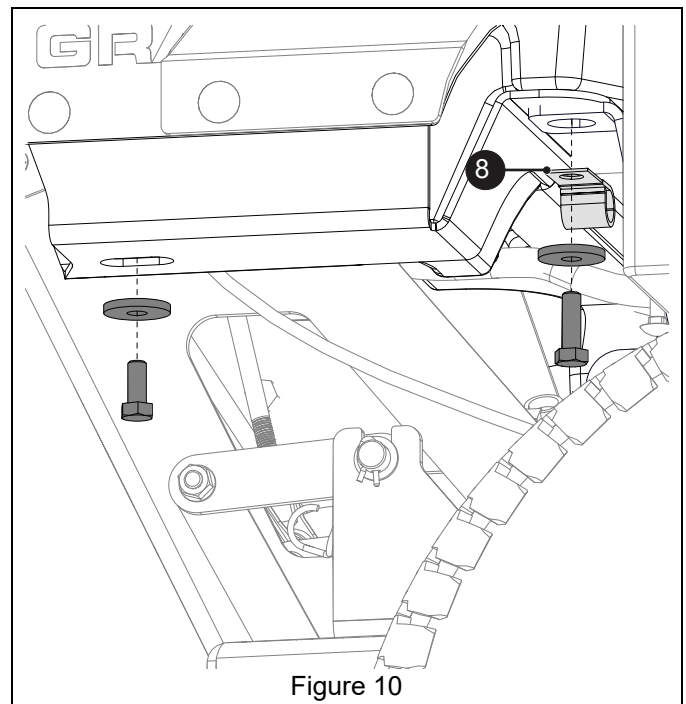


## INSTALLATION

- Secure right headlight mounting bracket (item 1) to right fuel tank panel with two 5/16" x 1" round head square neck bolts (item 6) and two 5/16" locking center flange nuts (item 7). See Figure 8.



- Reposition fuel tank.
- Reconnect fuel hoses.
- Position one J-clamp (item 8) at right-front fuel tank support bracket with hook facing in and secure with 1" hex bolt and flat washer removed in Removal Step 6. Secure rear of tank with 3/4" hex bolt and flat washer. See Figure 10.



6. Position one J-clamp (item 8) at left-front fuel tank support bracket with hook facing in. Secure left-side tank with two 3/4" hex bolts and flat washers removed in Removal Step 6. See Figure 11.

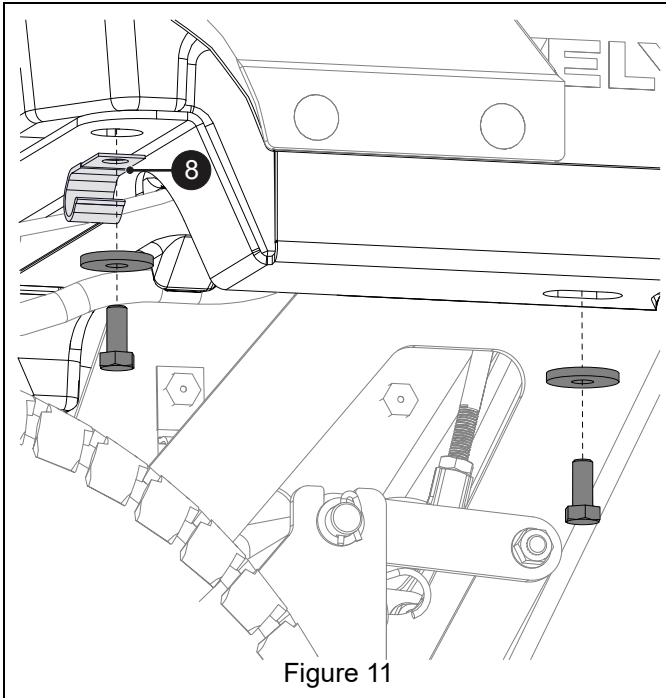


Figure 11

7. Reinstall left and right side covers and retain with ten tapping screws. See Figure 12.

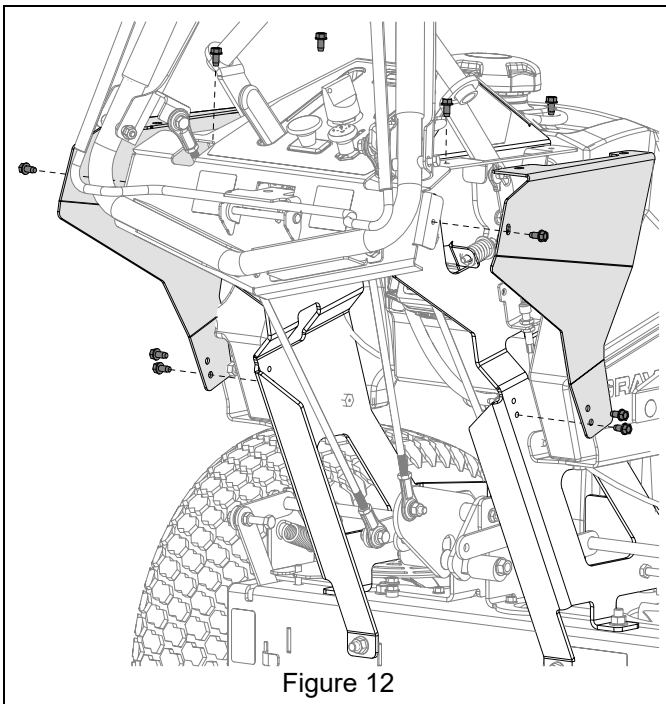


Figure 12

8. Secure brackets to headlights (item 3) with included hardware. DO NOT fully tighten hardware until headlights are adjusted. See Figure 13.

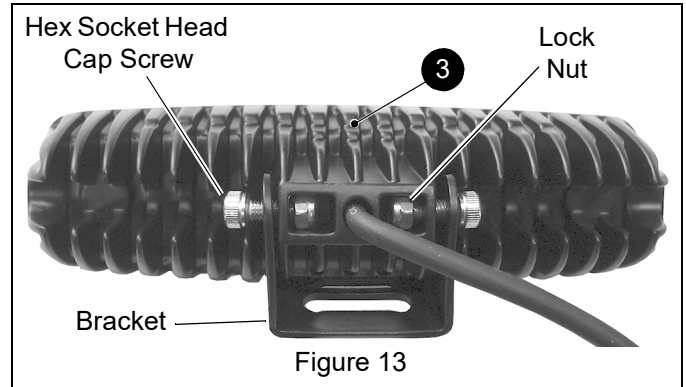


Figure 13

9. Secure left and right headlights to mounting brackets with included hardware. DO NOT fully tighten hardware until headlights are adjusted. See Figure 14.

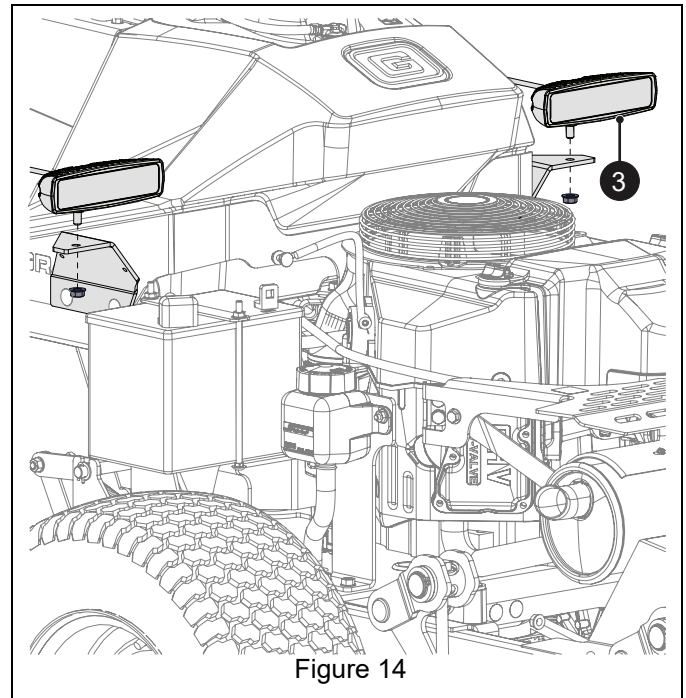


Figure 14



10. Route headlight wires inside left and right tower support panels to back of unit.
11. Route left headlight harness through clamp retaining throttle and choke cables. See Figure 15.

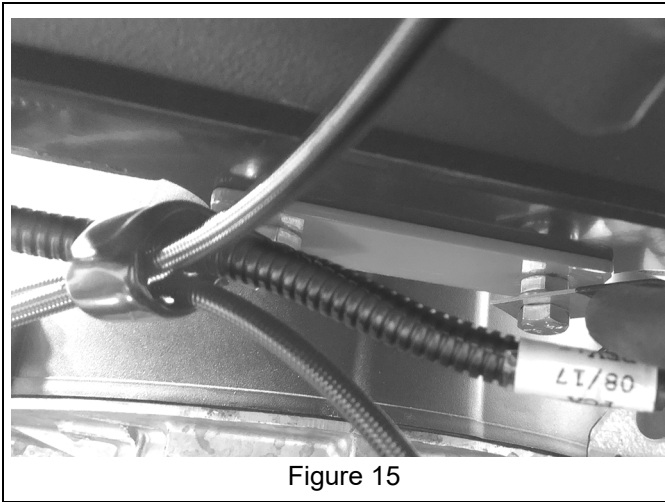


Figure 15

12. Position light harness (item 4) behind the engine.
13. Connect left headlight bullet connectors to long harness wire. Connect red to red and black to black. Retain harness in left J-clamp (item 8). See Figure 16.

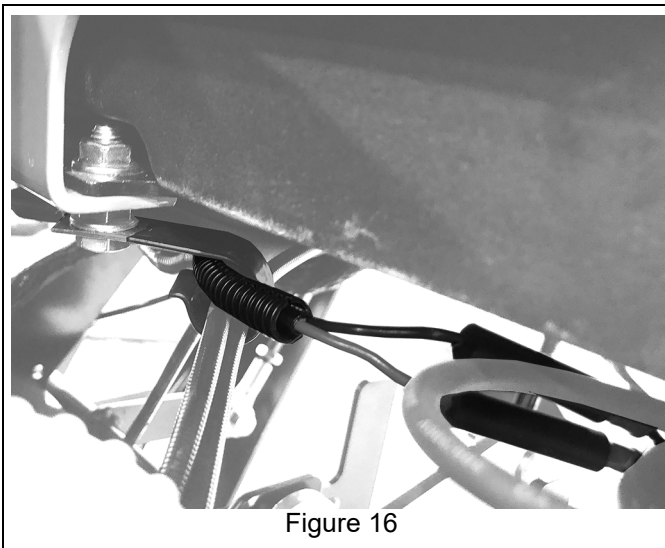


Figure 16

14. Connect right headlight bullet connectors to short harness wire. Connect red to red and black to black. Retain harness in right J-clamp. See Figure 17.

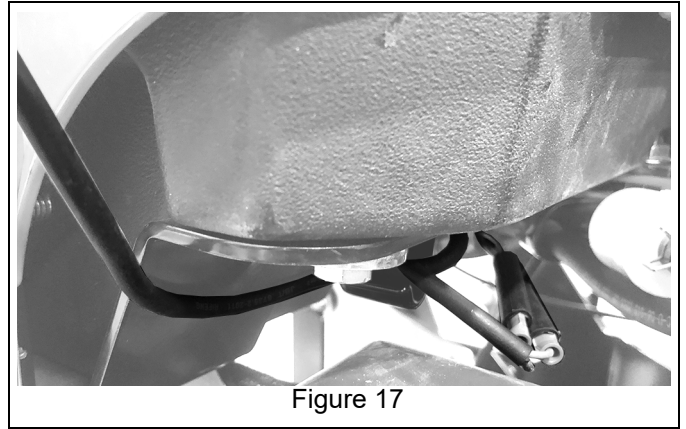


Figure 17

15. Connect short center black and red light harness leads to the purple and black wires on the main harness. Connect the black wire to the black wire and the red wire to the purple wire. See Figure 18.

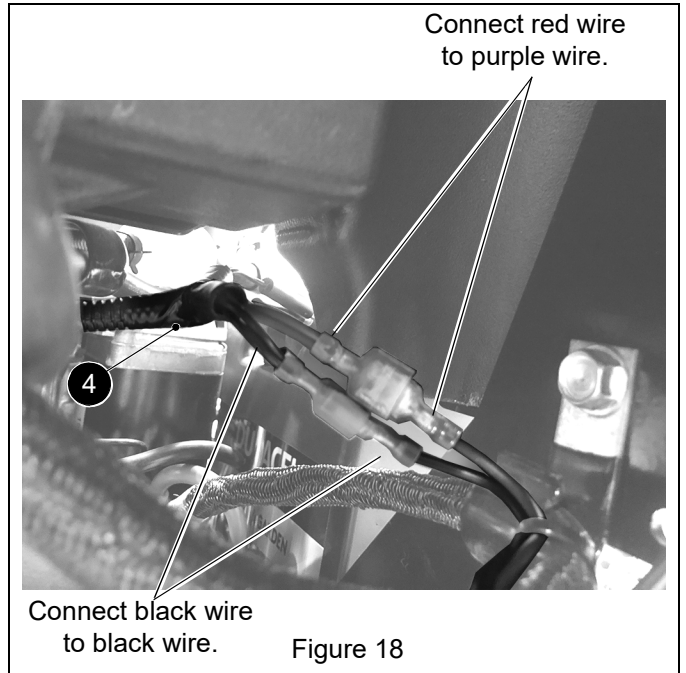


Figure 18

See Figure 19.

16. There is a rectangular cutout for the switch under the control panel decal just below the throttle control lever. Press against the decal material to determine the hole edges and use a utility knife or similar tool to remove the material covering the switch hole.
17. Ensure that red side of rocker in switch faces up and install rocker switch (item 5) in hole in control panel.

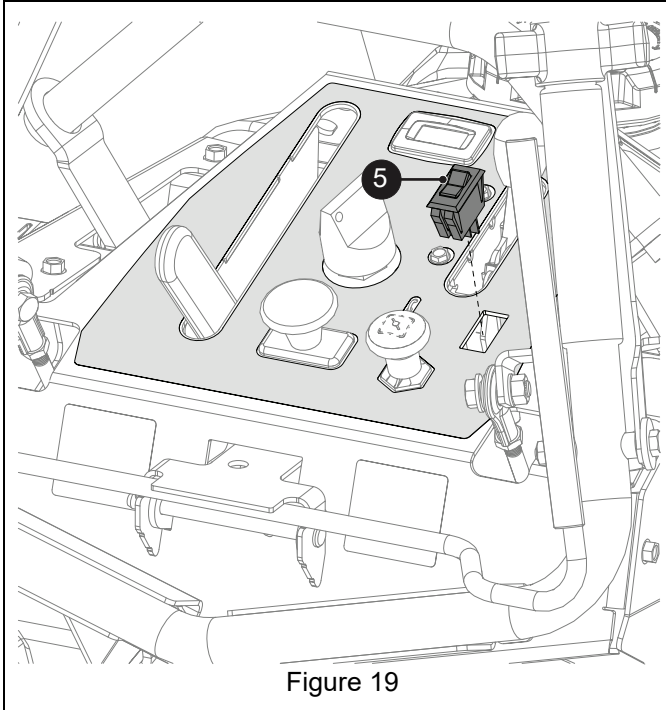


Figure 19

18. Locate the purple and purple/white wires under the control panel and connect the wires to the headlight switch.

**NOTICE:** Switch does not have polarity. Either of the purple and purple/white wires may be connected to either switch terminal.

19. Secure left and right headlight cables to mount brackets with one cable tie (item 9) routed through hole in bracket. See Figure 20.

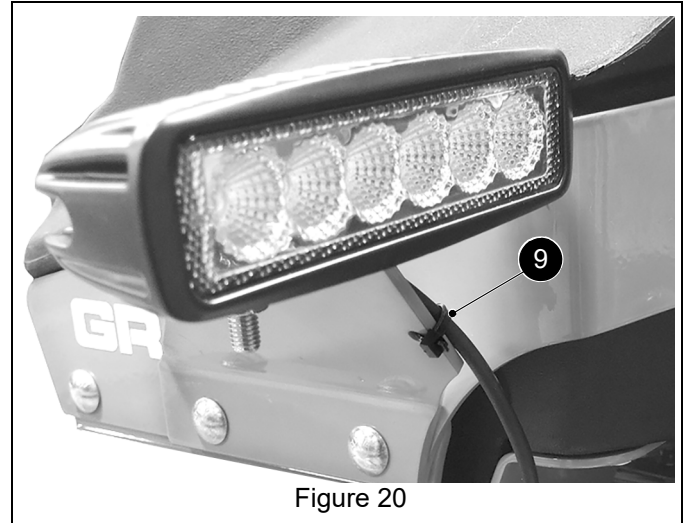


Figure 20

20. Reconnect negative battery cable.
21. Reinstall battery cover and secure with wing knobs.
22. Turn ignition key to on position and turn on headlights.
23. Adjust headlights and tighten all hardware.
24. Turn off headlights and turn ignition key to off position.