

Instruction Sheet

Kit Number: 71800500

STRIPING KIT



WARNING: FAILURE TO FOLLOW INSTRUCTIONS could result in personal injury and/or damage to unit.

Read, understand, and follow all safety practices in Operator's Manual before beginning.

Package Contents

Check the contents of your kit for the parts listed below. Also see Figure 1.

Item	Description	Qty	AriensCo P/N
1	Rubber Striper Skirt	1	30156600
2	3-Hole Striper Bar	3	30156751
3	4-Hole Striper Bar	2	30156851
4	3/8"-16 x 3/4" Self-Tapping Screw	10	07400129

NOTICE: Not all included parts will be used for installation depending on application.

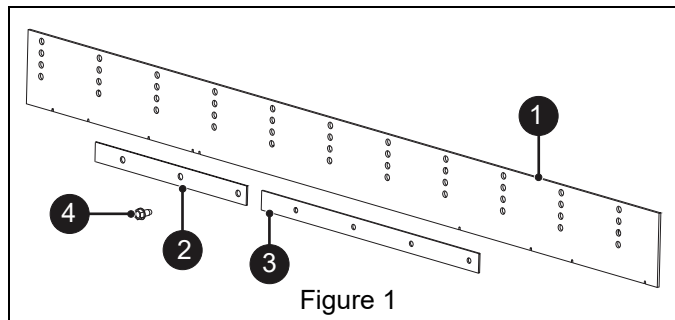


Figure 1

INSTALLATION

1. Park unit on a flat, level surface and engage parking brake.
2. Stop unit, remove key and wait for all moving parts to stop and for hot parts to cool.
3. Set deck for height of cut that grass will be cut. This determines which set of holes to use for mounting striper skirt. See to *Striping Tips* on page 4 to determine desired height.



WARNING: AVOID INJURY! Make sure jack stands are secure and can support the weight of the unit.

4. Raise and support the rear of the unit on jack stands.
5. Remove rear wheels to provide access to the rear of the deck.
6. Locate cut locations on rubber striper skirt (item 1). Skirt will be trimmed at the appropriate location depending on deck size. See Figure 2.
7. Proceed to appropriate deck installation instructions.

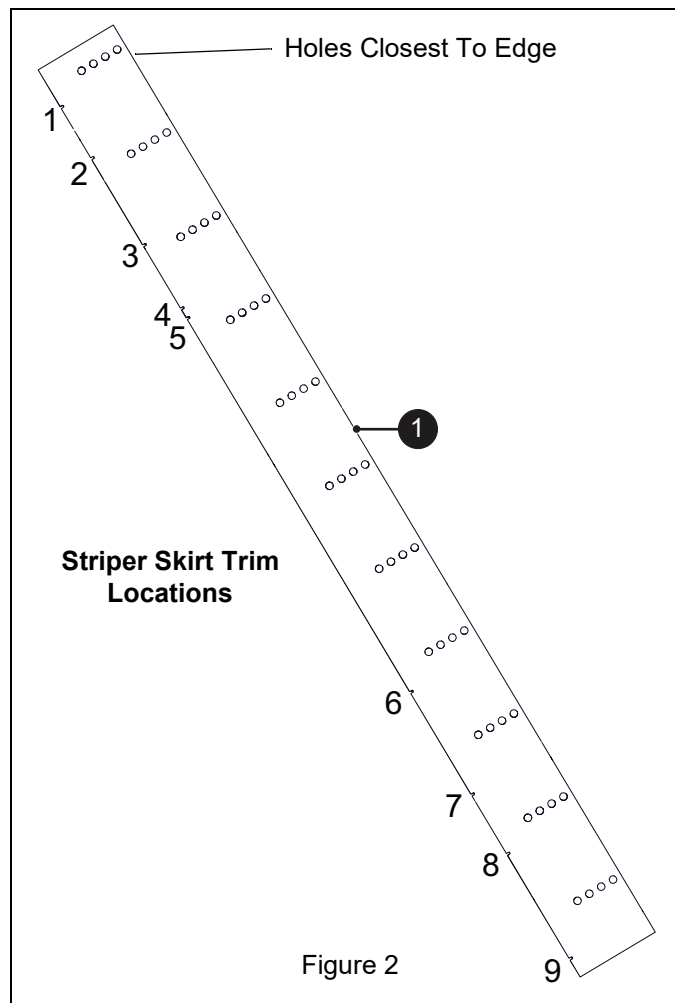


Figure 2

42" Mower Decks

1. Trim rubber skirt (item 1) as shown in Figure 3.

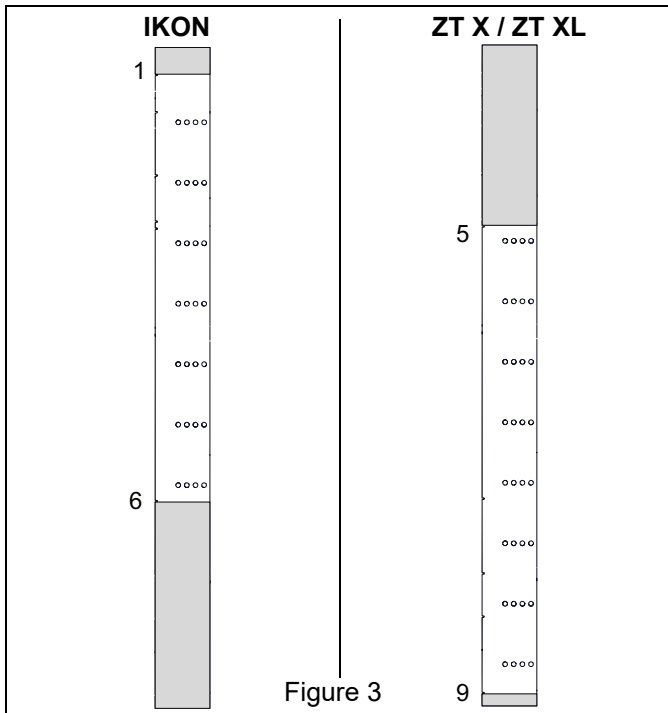


Figure 3

See Figure 4.

IMPORTANT: Avoid bending striper bars. DO NOT over tighten self-tapping screws.

2. Attach striper skirt to rear of deck using the following:
 - one three-hole striper bar (item 2) positioned on left side of deck.
 - one four-hole striper bar (item 3) positioned on right side of deck.
 - seven 3/8" x 3/4" self-tapping screws (item 4).
3. Reinstall rear wheels and lower unit to the ground.

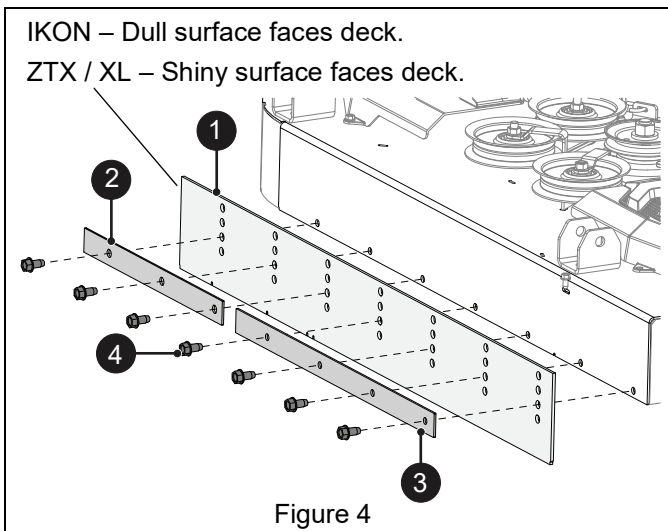


Figure 4

4. See *Striping Tips on page 4* for operation.

48" Mower Decks

1. Trim rubber skirt (item 1) as shown in Figure 5.

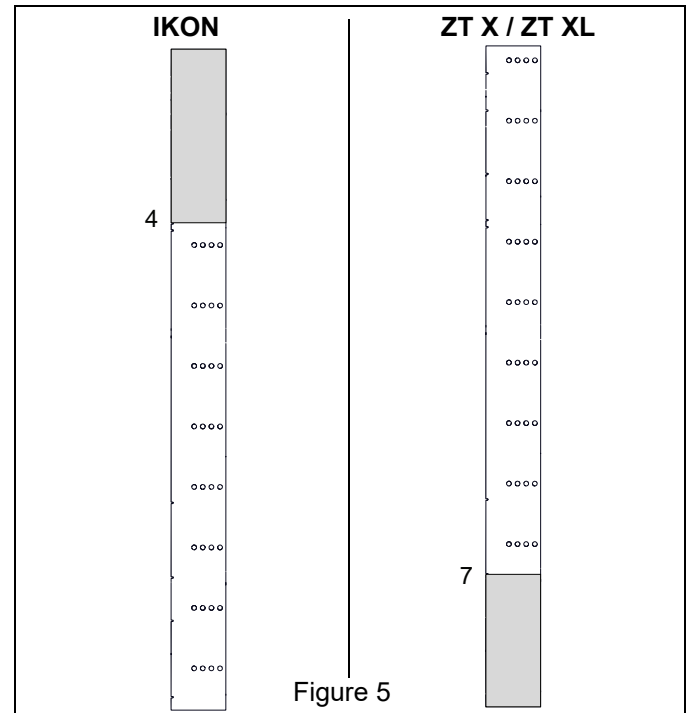


Figure 5

See Figure 6.

IMPORTANT: Avoid bending striper bars. DO NOT over tighten self-tapping screws.

2. Attach striper skirt to rear of deck using the following:
 - two four-hole striper bars (item 3).
 - seven 3/8" x 3/4" self-tapping screws. (item 4).
- NOTICE:** Third hole from right on right striper bar is not used.
3. Reinstall rear wheels and lower unit to the ground.

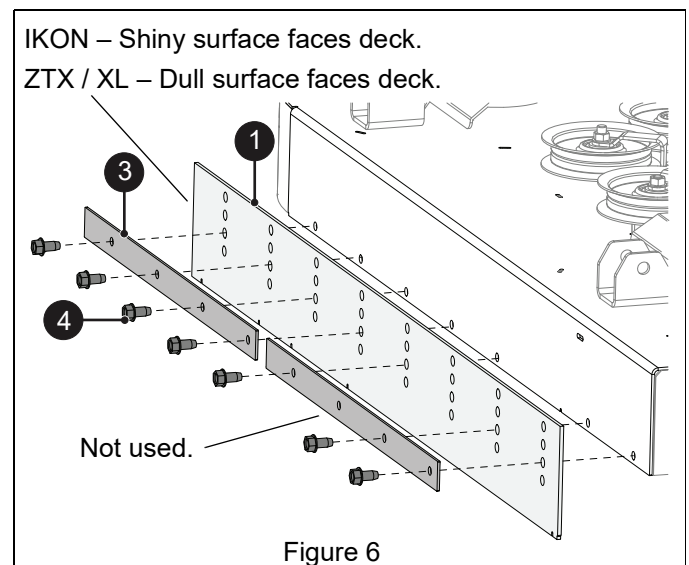


Figure 6

4. See *Striping Tips on page 4* for operation.

52" Mower Decks

1. Trim rubber skirt (item 1) as shown in Figure 7.

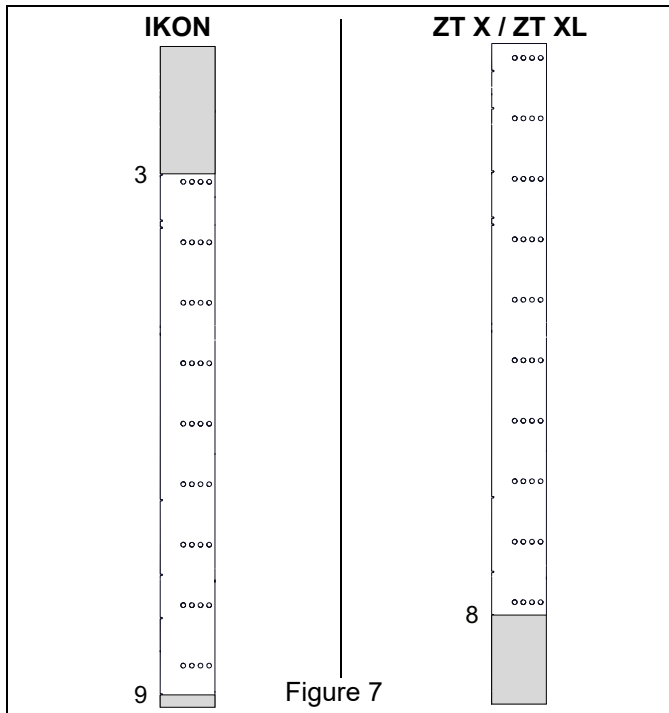


Figure 7

See Figure 8.

IMPORTANT: Avoid bending striper bars. DO NOT over tighten self-tapping screws.

2. Attach striper skirt to rear of deck using the following:

- three three-hole striper bars (item 2).
- eight 3/8" x 3/4" self-tapping screws. (item 4).

NOTICE: Third hole from right on right striper bar is not used.

3. Reinstall rear wheels and lower unit to the ground.

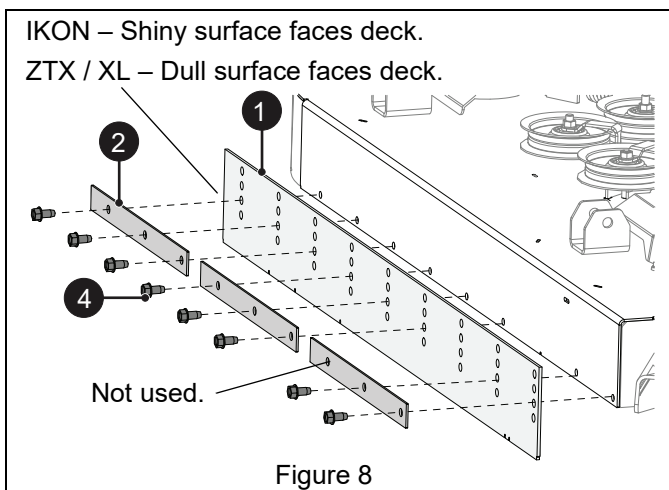


Figure 8

4. See *Striping Tips* on page 4 for operation.

60" Mower Decks

1. Trim rubber skirt (item 1) as shown in Figure 9.

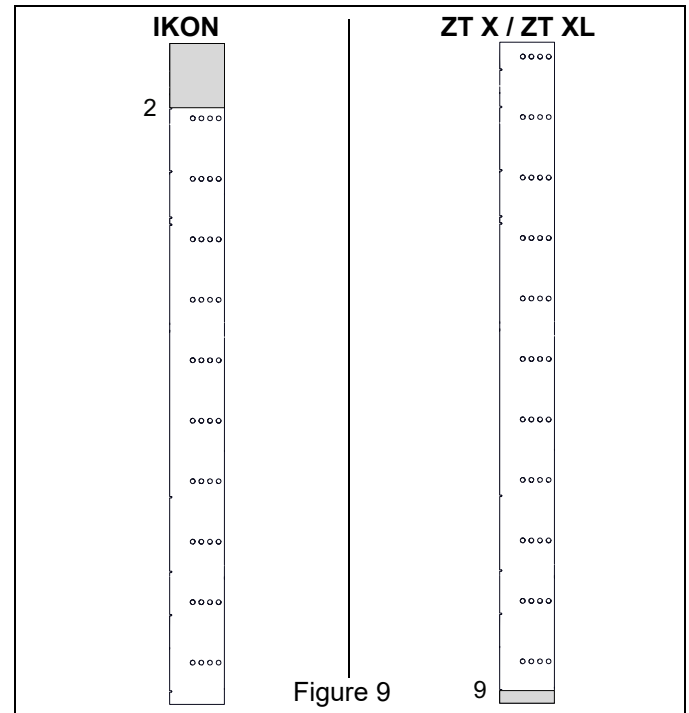


Figure 9

See Figure 10.

IMPORTANT: Avoid bending striper bars. DO NOT over tighten self-tapping screws.

2. Attach striper skirt to rear of deck using the following:

- two three-hole striper bars (item 2) positioned on left and right side of deck.
- one four-hole striper bar (item 3) positioned in center of deck.
- nine 3/8" x 3/4" self-tapping screws (item 4).

NOTICE: Third hole from right on right striper bar is not used.

3. Reinstall rear wheels and lower unit to the ground.

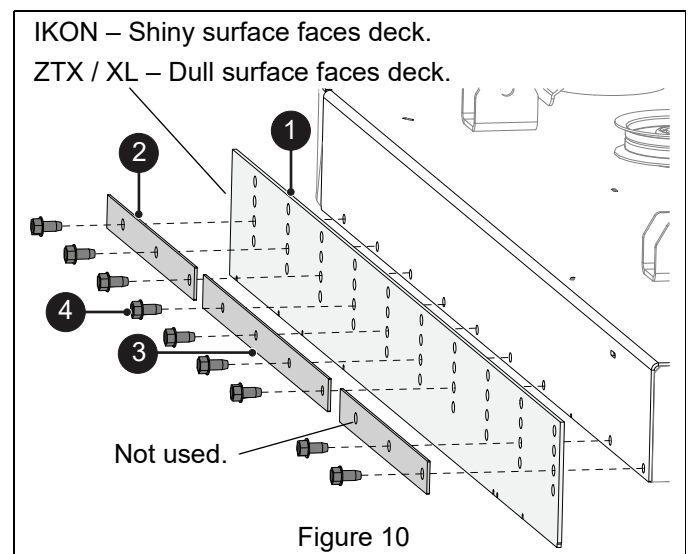


Figure 10

4. See *Striping Tips* on page 4 for operation.

STRIPING TIPS

1. Adjust the striper skirt so it drags the ground at desired cutting height. The more the skirt drags, the more pronounced the striping.
2. Do not cut grass too short.
3. Determine the striping pattern before starting to mow.