

Instruction Sheet

Kit Number: 71800100, 71800200, 71800300, 71800400

42", 48", 52" & 60" MULCH KIT



WARNING: FAILURE TO FOLLOW INSTRUCTIONS could result in personal injury and/or damage to unit.
Read, understand, and follow all safety practices in Operator's Manual before beginning.

Package Contents

Check the contents of your kit for the parts listed below. Also see Figure 1.

Item	Description	Qty	AriensCo P/N
1	42" Discharge Mulch Weldment (71800100)	1	30155151
	48" Discharge Mulch Weldment (71800200)	1	30155251
	52" Discharge Mulch Weldment (71800300)	1	30155351
	60" Discharge Mulch Weldment (71800400)	1	30155451
2	42" Right Vacuum Baffle (71800100)	1	30157351
3	42" Left Vacuum Baffle (71800100)	1	30157251
4	5/16"-18 x 3/4" Hex Bolt (71800100)	7	05901704
	(71800200, 71800300, 71800400)	3	
5	5/16"-18 Center Locking Flange Nut (71800100)	7	06500840
	(71800200, 71800300, 71800400)	3	

REMOVAL

1. Park unit on a flat level surface and engage parking brake.
2. Stop engine, remove key and wait for moving parts to stop and for hot parts to cool.
3. Disconnect spark plug wires.
4. Remove two flange nuts retaining discharge chute assembly and remove chute assembly. Retain parts for operation without mulch kit. See Figure 2.

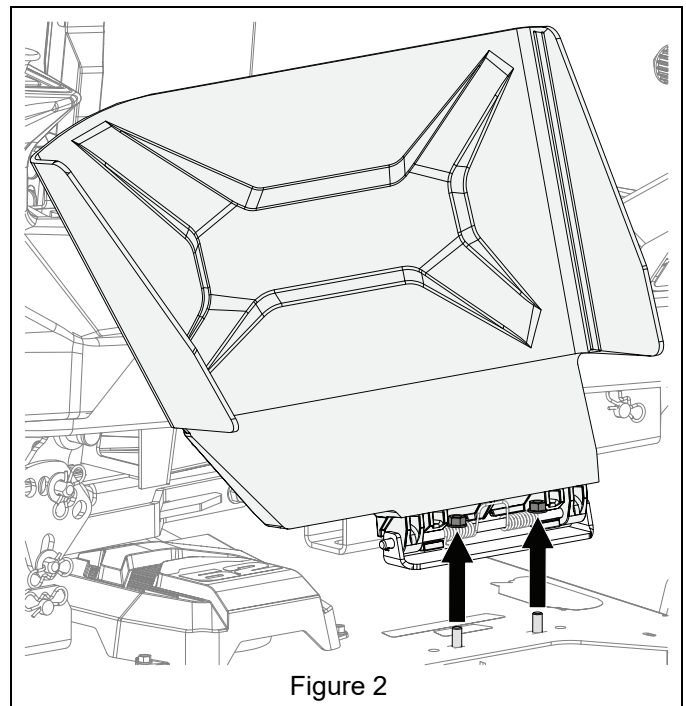


Figure 2

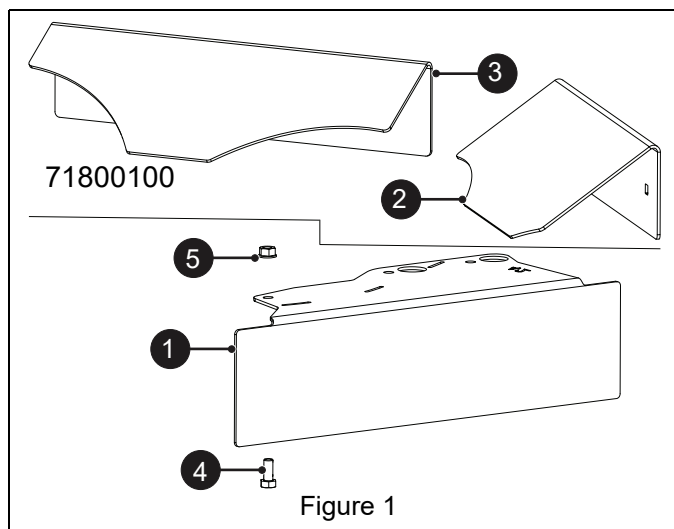
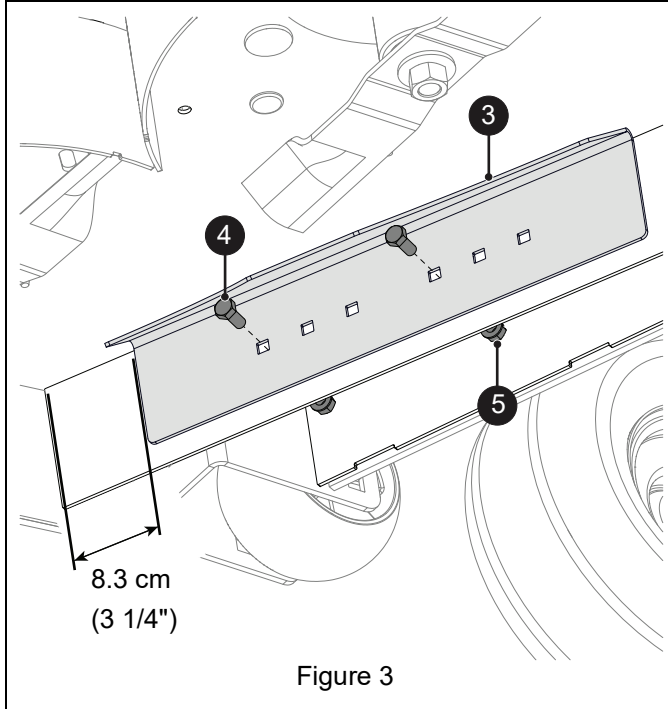


Figure 1

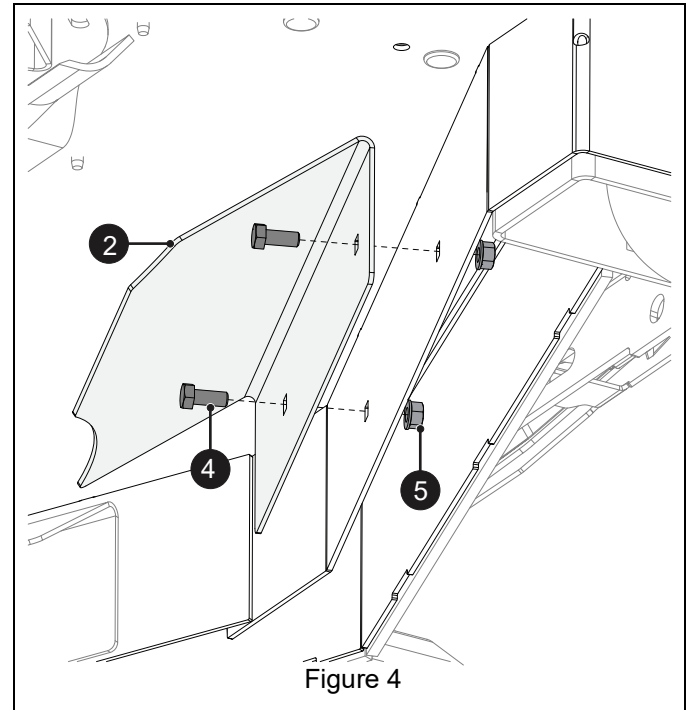
INSTALLATION

42" Decks

1. Measure 8.3 cm (3 1/4") from trim edge of deck and position left edge of left vacuum baffle (item 3) at that point. Determine the two holes that align and secure vacuum baffle with two 5/16" x 3/4" hex bolts (item 4) and two 5/16" center locking flange nuts (item 5). See Figure 3.



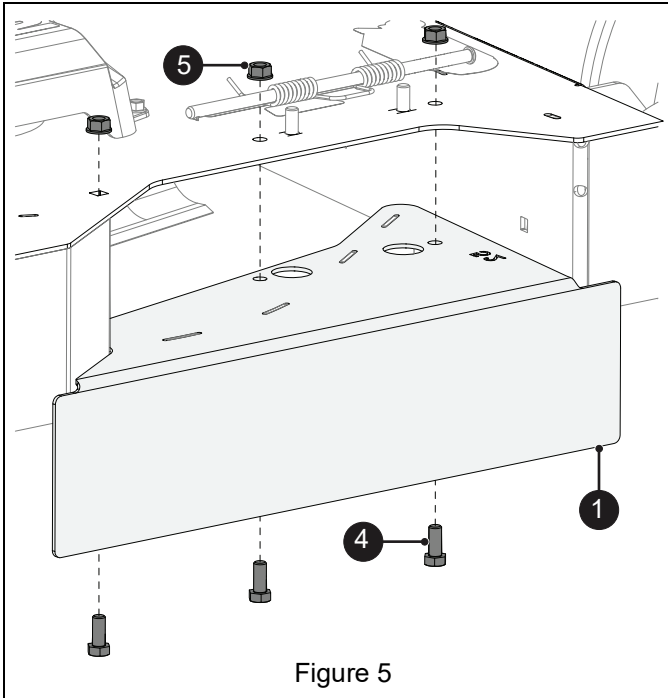
2. Position right vacuum baffle (item 2) at front right of deck and secure with two 5/16" x 3/4" hex bolts (item 4) and two 5/16" center locking flange nuts (item 5). See Figure 4.



All Decks

NOTICE: 52" deck shown; all decks similar.

1. Secure discharge baffle (item 1) to mower deck with three 5/16" x 3/4" hex bolts (item 4) and three 5/16" locking center flange nuts (item 5). Torque nuts to 9.1 N•m – 10.2 N•m (80 lb-in – 90 lb-in). See Figure 5.



2. Rotate blades to verify blades and baffles don't interfere.
3. Reconnect spark plug wires.

MULCHING TIPS

1. Mow at full throttle and half speed.
2. Mow dry grass only.
3. Keep mower blades sharp.
4. Cut no more than 2.5 cm (1") at one time. For tall grass, mow at a higher cutting height, then make a second or third pass with the deck set to the desired cutting height.
5. Clean the underside of deck after each mowing, but DO NOT wash with high-pressure water.