

# Instruction Sheet

## Kit Number: 79222900

### LED LIGHT KIT



**WARNING: FAILURE TO FOLLOW INSTRUCTIONS** could result in personal injury and/or damage to unit.

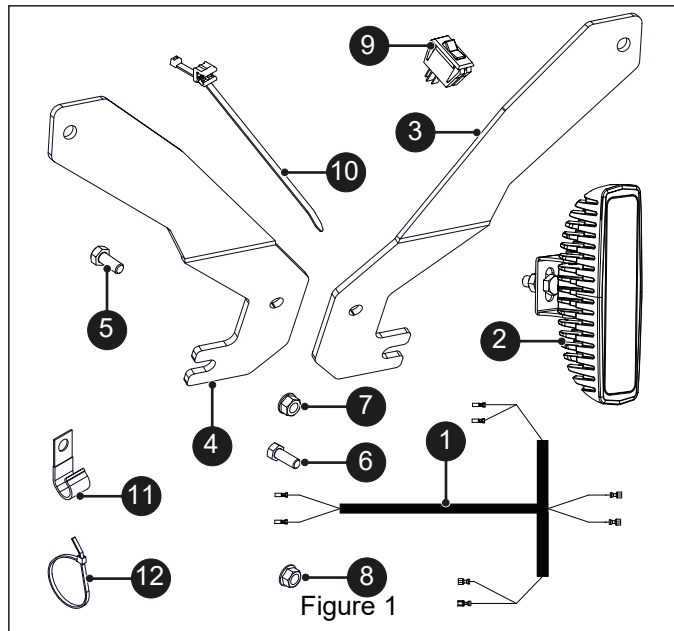
Read, understand, and follow all safety practices in Operator's Manual before beginning.

**IMPORTANT:** All references to the left, right, front or rear are given from the perspective of the operator in the operator's position, facing the direction of forward travel.

#### Package Content

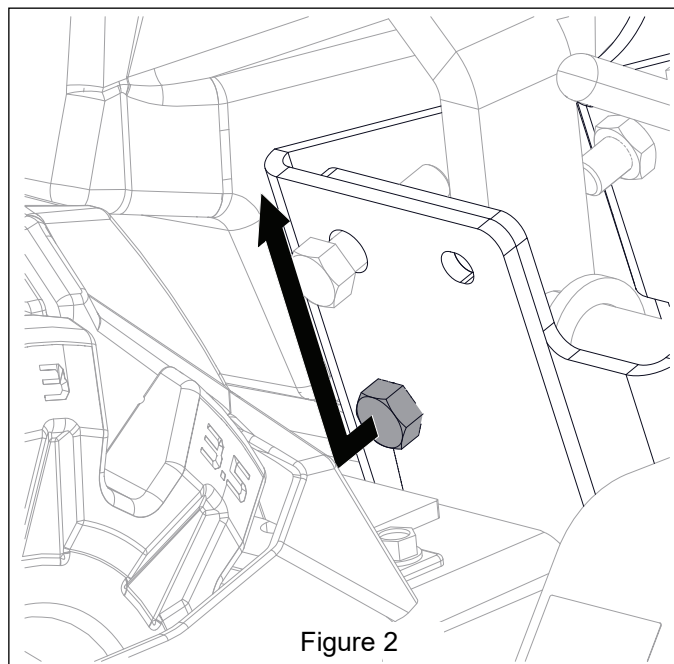
Check the contents of your kit for the parts listed below. Also see Figure 1.

Item	Description	Qty	AriensCo P/N
1	Headlight Wire Harness	1	30142600
2	LED Headlight With Bracket	2	04821100
3	Left Headlight Bracket	1	30134353
4	Right Headlight Bracket	1	30134253
5	5/16"-18 x 1" Hex Bolt	2	05901701
6	3/8"-16 x 1" Hex Bolt	2	05901711
7	5/16"-18 Center Locking Flange Nut	2	06500840
8	3/8"-16 Center Locking Flange Nut	2	06500901
9	2-Pole Rocker Light Switch	1	08973300
10	EC23 Mount With Cable Tie	8	07500509
11	J-Clamp	1	06909400
12	5 1/2" Cable Tie	3	07517300

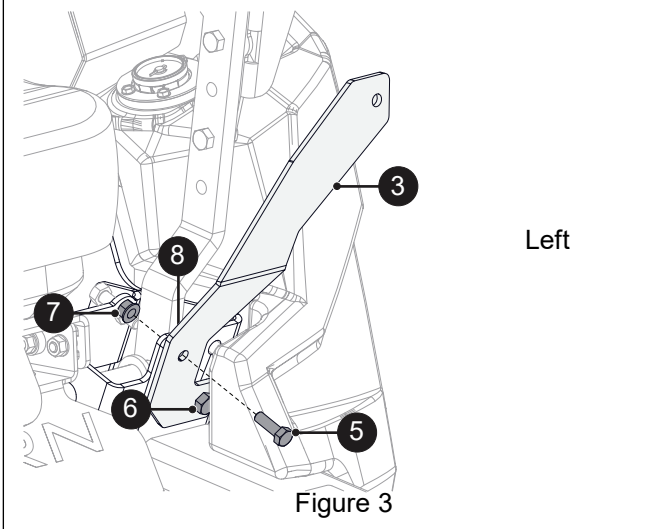
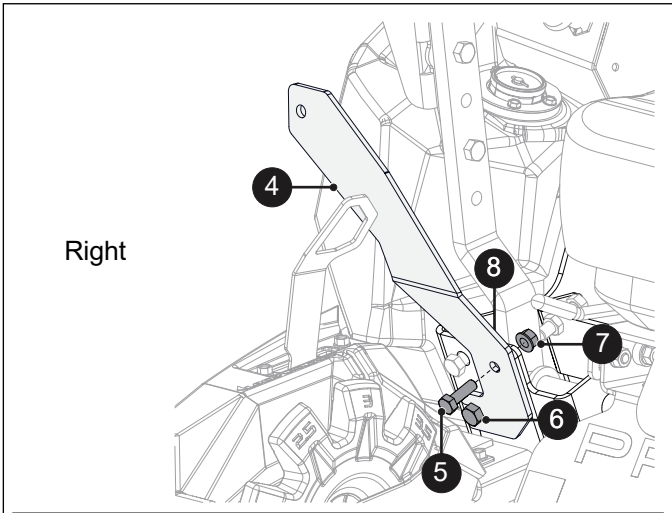


### INSTALLATION

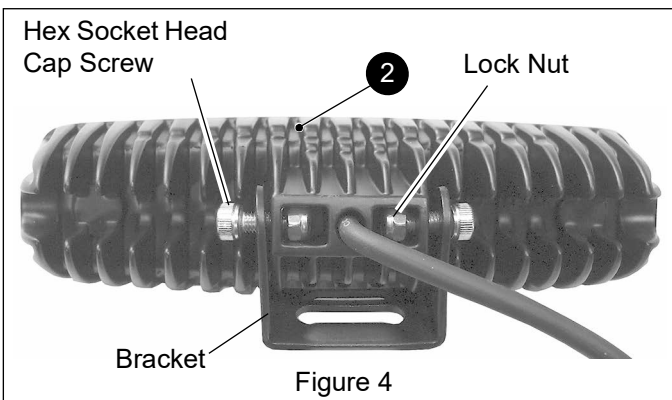
1. Stop engine, remove key and engage parking brake.
2. Wait for all moving parts to stop and for hot parts to cool.
3. Disconnect and isolate negative battery cable.
4. Remove lower 3/8" x 1" hex bolts and nuts. See Figure 2.



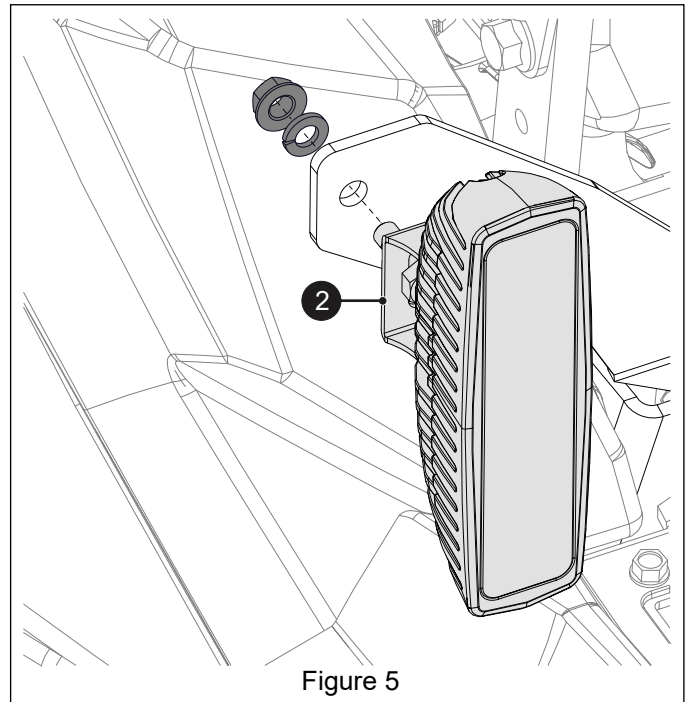
- Position right (item 4) and left (item 3) headlight mounting brackets in front of lever pivot brackets and secure each with one 5/16" x 1" hex bolt (item 5), one center locking flange nut (item 7), one 3/8" x 1" hex bolt (item 6), and one center locking flange nut (item 8). See Figure 3.



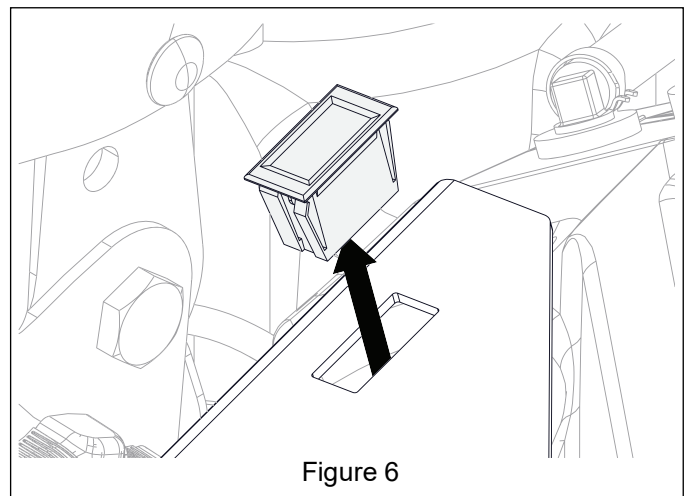
- If not pre-installed, secure brackets to headlights (item 2) with included hardware. DO NOT completely tighten hardware until headlights are adjusted. See Figure 4.



- Secure left and right headlights (item 2) to mounting brackets with included hardware. In this application headlights are more effective mounted vertically. Do not fully tighten. See Figure 5.

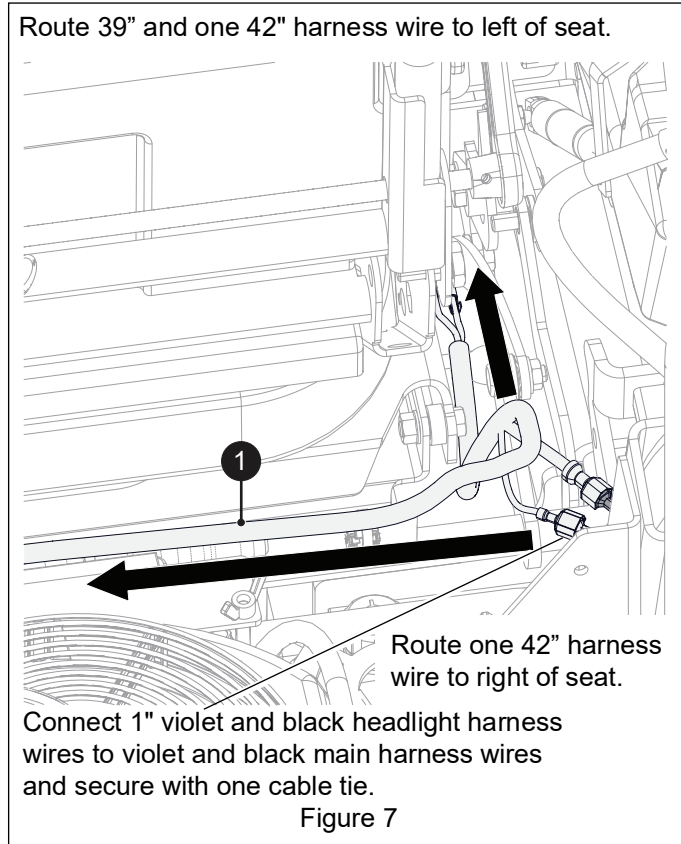


- Remove and discard switch blank from left control panel. See Figure 6.

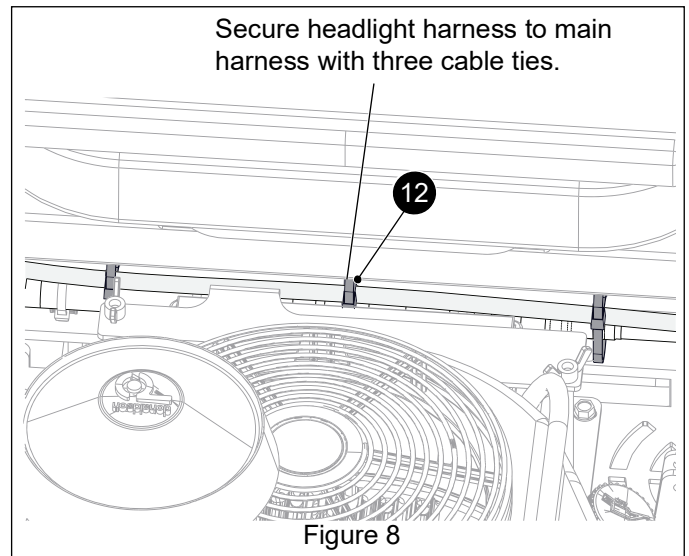


See Figure 7.

9. Locate violet and black mower harness wires located in right side of mower between engine and seat.
10. Connect 1" violet and black headlight harness wires (item 1) to violet and black wires on mower harness. Violet connects to violet and black connects to black.
11. Secure headlight harness to main harness with one cable tie (item 12).
12. Route one 42" wire to left and one 42" wire right of seat.
13. Route 39" wire to left of seat.

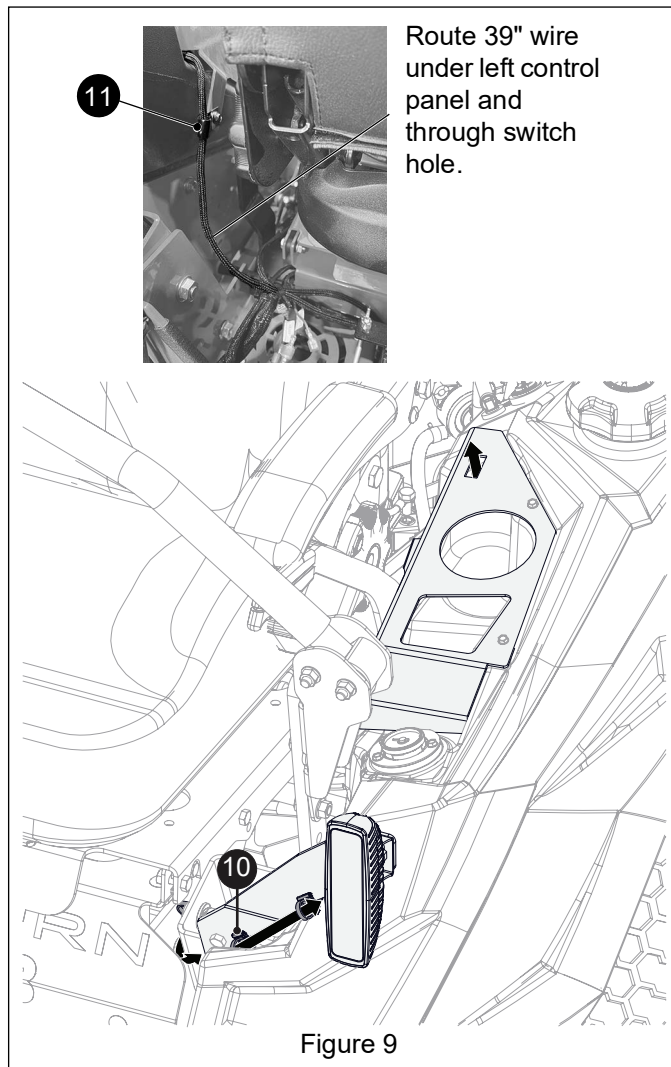


14. Route 39" and 42" wires between battery and seat up toward left control panel. Secure headlight harness to main wiring harness behind battery with three cable ties (item 12). See Figure 9.



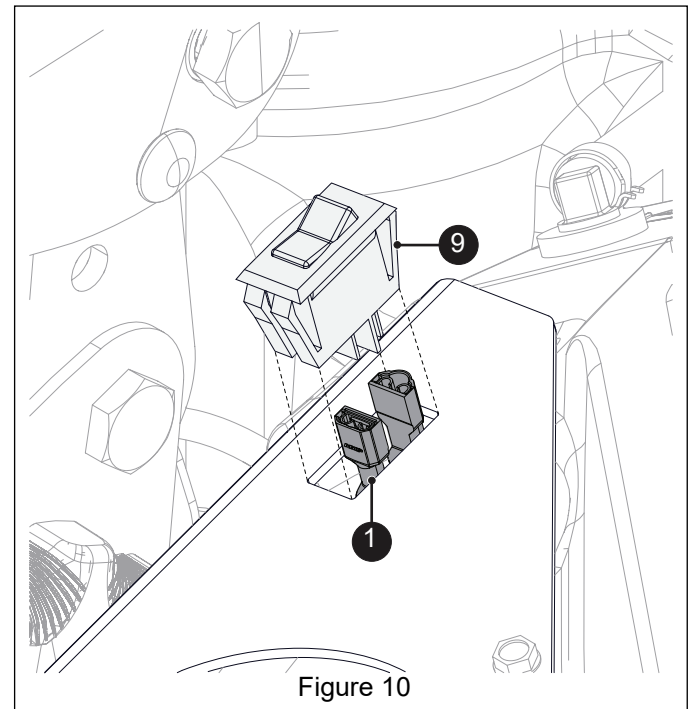
See Figure 9.

15. Route 42" wire along left frame, through j-hooks and forward to left headlight.
16. Connect black harness wire to black (or brown) headlight wire. Connect violet harness wire to red (or blue) headlight wire.
17. Route 39" wire along left frame to under control panel. Route wire through switch hole. Secure to unit wiring harness bundle with j-clamp (item 11).
18. Install three EC23 mounts (item 10) in positions shown. Insert cable ties into clamp locks but do not fully tighten.



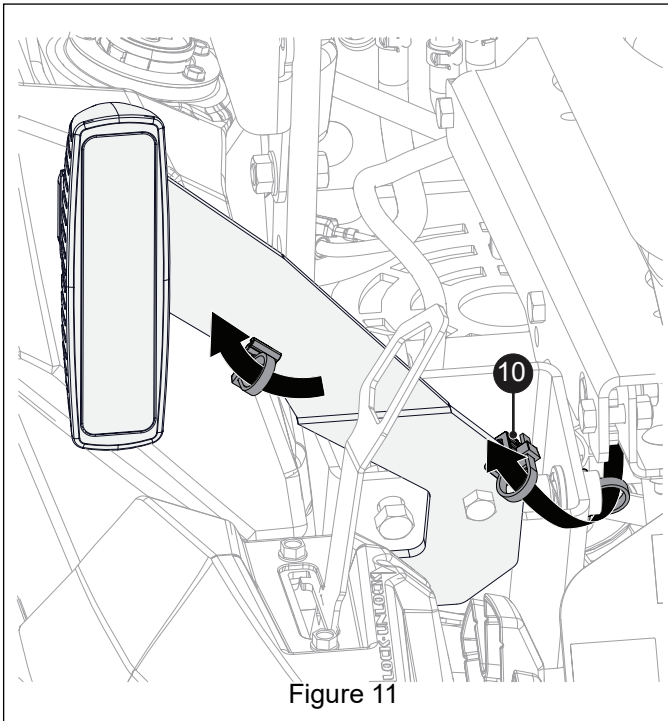
See Figure 10.

19. Connect headlight switch (item 9) to violet and black harness wires. Wires can be installed on either terminal; switch does not have polarity.
20. Choose direction for red indicator on rocker and insert switch into control panel. Press into position until it seats securely.



See Figure 11.

21. Install three EC23 mounts (item 10) in positions shown. Insert cable ties into clamp locks but do not fully tighten.
22. Connect violet harness wire to red (or blue) headlight wire and black harness wire to black (or brown) headlight wire.



23. Check all wires to ensure they are routed away from hot or moving parts and tighten EC23 mount cable ties. Trim excess cable tie leads.
24. Secure right headlight harness to frame or main harness using two cable ties (item 12). Avoid hot or moving parts.
25. Reconnect negative battery cable.
26. Turn ignition key to on position and turn on headlights.
27. Adjust headlights and tighten hardware.
28. Turn off headlights and turn ignition key to off position.