

# Instruction Sheet

## Kit Number: 71801600

### DECK LIFT SPRING-ASSIST KIT



**WARNING: FAILURE TO FOLLOW INSTRUCTIONS** could result in personal injury and/or damage to unit.  
Read, understand, and follow all safety practices in Operator's Manual before beginning.

### Package Contents

Check the contents of your kit for the parts listed below  
Also see Figure 1.

Item	Description	Qty	AriensCo P/N
1	3/8"-16 x 4 1/2" Eye Bolt	1	07001701
2	3/8"-16 Jam Nut	2	06500910
3	Extension Spring	1	08300802

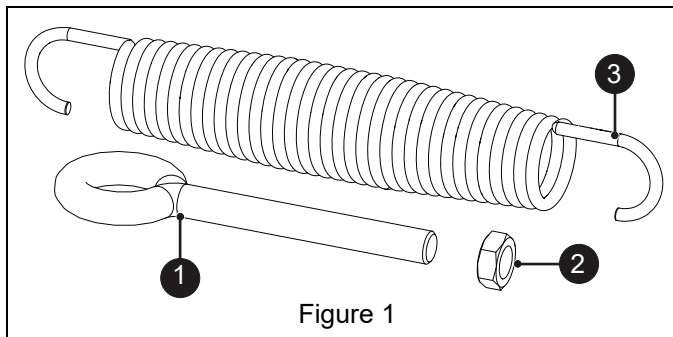


Figure 1

### INSTALLATION

1. Move unit to flat surface, stop unit and remove key.
2. Wait for all moving parts to stop and for hot parts to cool.
3. Engage parking brake.
4. Push mower lift pedal forward and place height-of-cut (HOC) adjustment pin at highest 4 1/2" setting.
5. Route extension spring (item 3) through opening in right side steering bracket and attach spring hook to pin on deck lift link. See Figure 2.

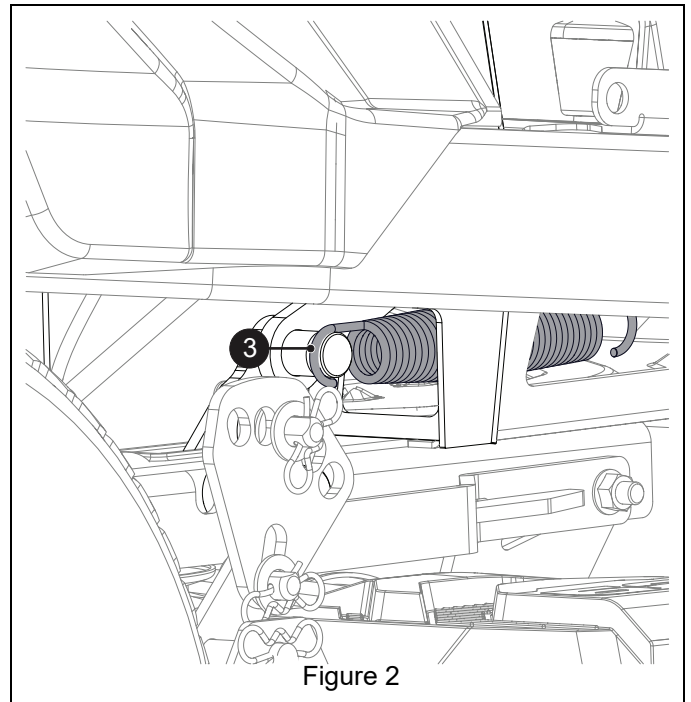
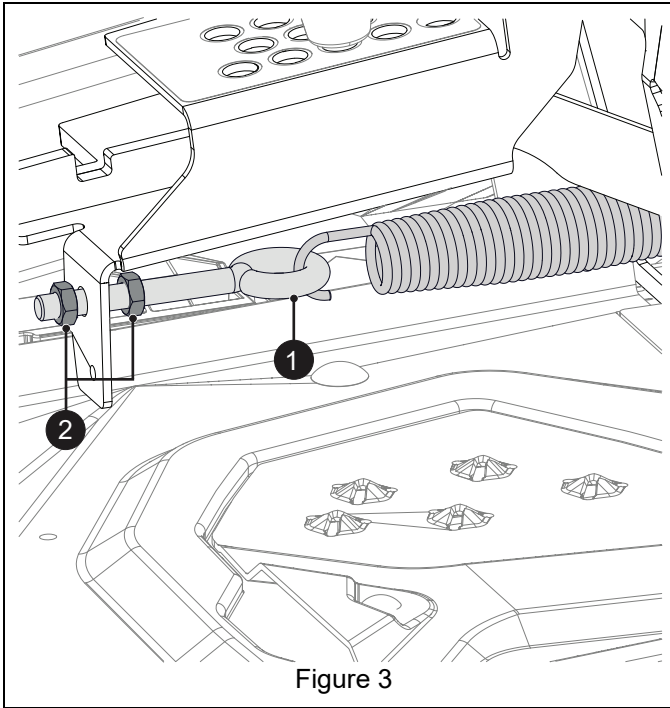


Figure 2

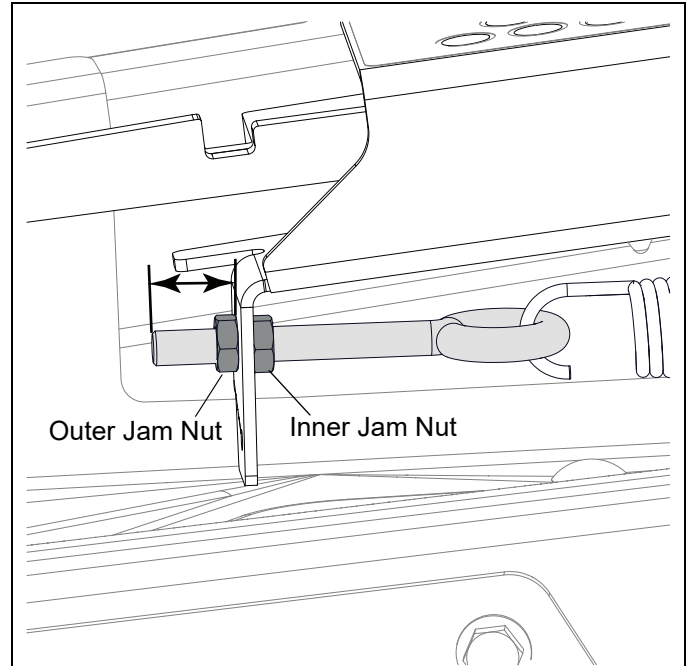
See Figure 3.

6. Thread one 3/8" jam nut (item 2) onto eye bolt (item 1).
7. Connect front spring hook to eye bolt.
8. Insert eye bolt (item 1) into hole in frame bracket and thread second jam nut onto eye bolt.



See Figure 4.

9. Tighten outer jam nut until exposed-thread length dimension in table below is reached, based on deck size. Exposed thread length is measured from front face of frame bracket to end of eye bolt.
10. Tighten inner jam nut.



Deck Size	Exposed Spring Thread Length
42"	28.6 mm (1 1/8")
48"	28.6 mm (1 1/8")
52"	31.8 mm (1 1/4")
60"	38.1 mm (1 1/2")

Figure 4