

Instruction Sheet

Kit Number: 71800700

STORAGE INSERT KIT



WARNING: FAILURE TO FOLLOW INSTRUCTIONS could result in personal injury and/or damage to unit.

Read, understand, and follow all safety practices in Operator's Manual before beginning.

Package Contents

Check the contents of your kit for the parts listed below
Also see Figure 1.

Item	Description	Qty	AriensCo P/N
1	Storage Insert	1	09696600

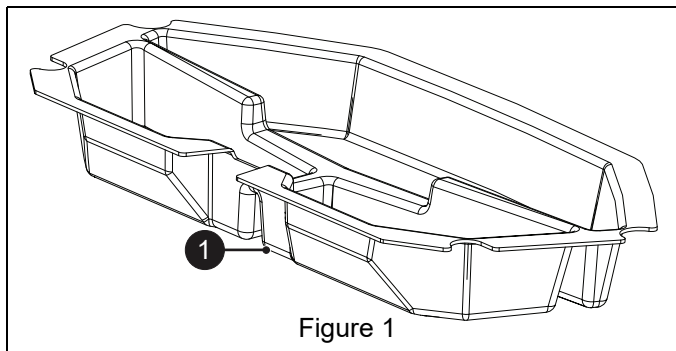


Figure 1

INSTALLATION

1. Move unit to flat surface, stop unit and remove key.
2. Wait for all moving parts to stop and for hot parts to cool.
3. Engage parking brake.

4. Lift floor access plate and rotate to rear of mower. See Figure 2.

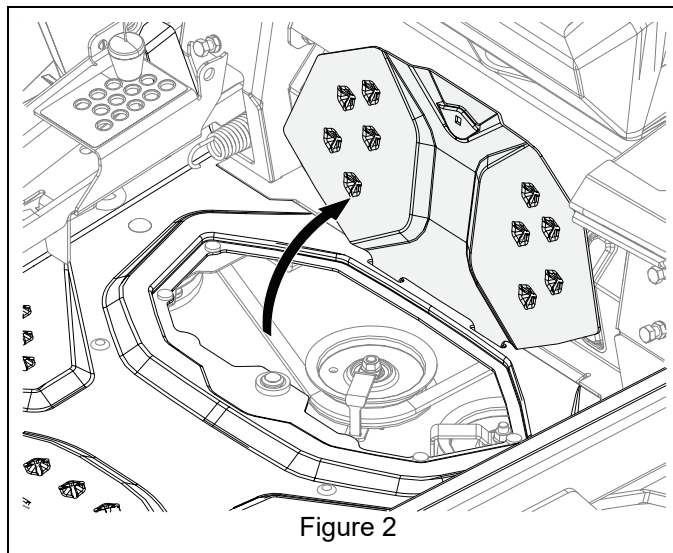


Figure 2

5. Position storage insert (item 1) in opening and lower in place until insert flange contacts floor edge. See Figure 3.

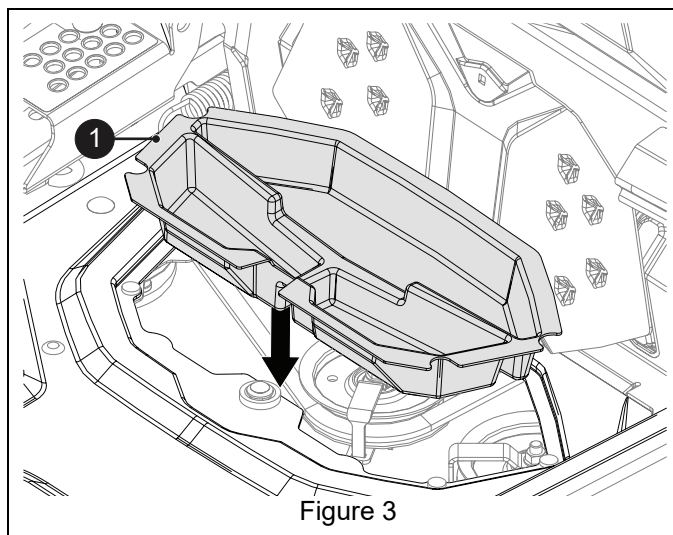


Figure 3

6. Return floor access panel to operating position.