

Instruction Sheet

Kit Number: 71800600

TRANSPORT LOCK KIT



WARNING: FAILURE TO FOLLOW INSTRUCTIONS could result in personal injury and/or damage to unit.
Read, understand, and follow all safety practices in Operator's Manual before beginning.

Package Contents

Check the contents of your kit for the parts listed below
Also see Figure 1.

Item	Description	Qty	AriensCo P/N
1	Transport Lock Assembly	1	09663651
2	1/2" x 4 1/2" Self-Locking Clevis Pin	1	06800201

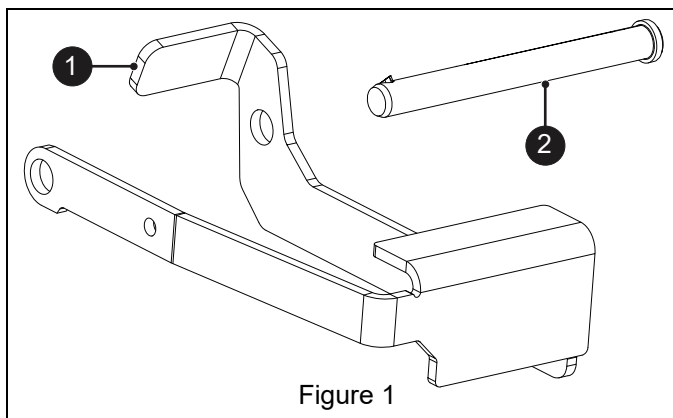


Figure 1

INSTALLATION

1. Move unit to flat surface, stop unit and remove key.
2. Wait for all moving parts to stop and for hot parts to cool.
3. Engage parking brake.

4. Push mower lift pedal forward and remove height-of-cut (HOC) adjustment pin from HOC guide plate. See Figure 2.

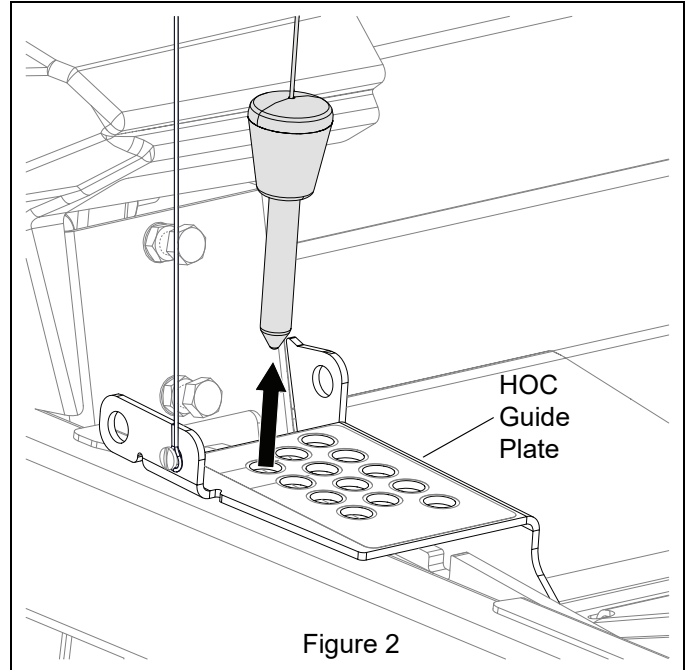


Figure 2

See Figure 3.

5. Position transport lock assembly (item 1) on HOC guide plate.
6. Retain lock assembly to guide plate with one self-locking clevis pin (item 2). Ensure that pin is sufficiently seated to allow lock to engage.

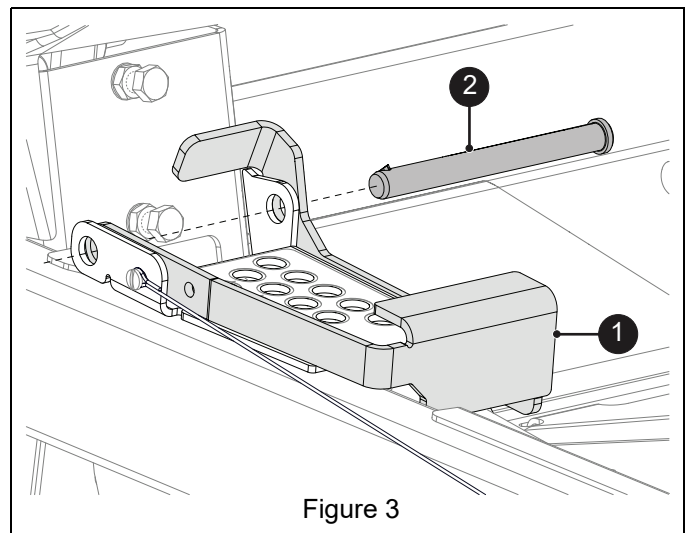


Figure 3

7. Reinstall HOC adjustment pin and ignition key.

OPERATION

Transport Unit

1. Push deck lift pedal completely forward to engage transport lock. Release pedal.
2. Move unit to transport vehicle.
3. Stop engine, engage parking brake and remove key from ignition.
4. Secure mower frame to transport vehicle.

NOTICE: NEVER secure unit to vehicle from rods or linkages that could be damaged.

Release Transport Lock

1. Push deck lift pedal forward and pull back on transport lock release lever.
2. Slowly return mower lift pedal to resting position.