

Instruction Sheet

Kit Number: 79404800

GRASS CATCHER KIT



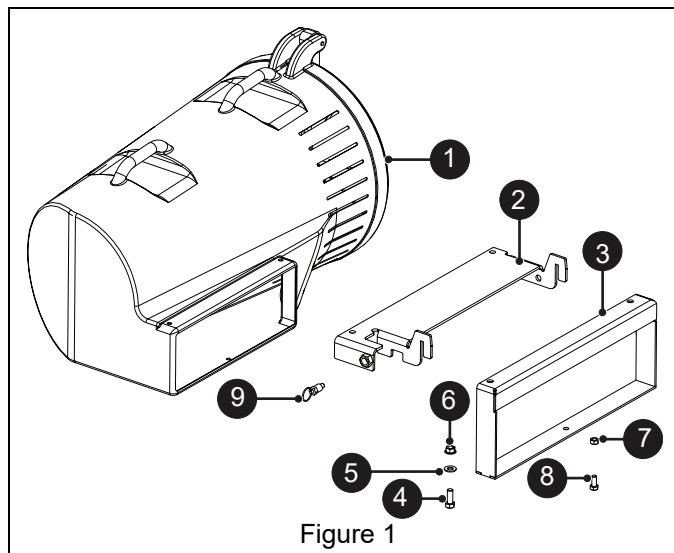
WARNING: FAILURE TO FOLLOW INSTRUCTIONS could result in personal injury and/or damage to unit.
Read, understand, and follow all safety practices in Operator's Manual before beginning.

IMPORTANT: For best performance, high-lift mower blades are recommended, especially for use with electric mowers.

Package Contents

Check the contents of your kit for the parts listed below. Also see Figure 1.

Item	Description	Qty	AriensCo P/N
1	Composite Grass Catcher	1	30127100
2	Grass Catcher Mounting Bracket	1	30157551
3	Grass Catcher Frame	1	30126751
4	3/8"-16 x 1" Hex Bolt	2	05901711
5	13/32" x 13/16" Flat Washer	2	06401013
6	3/8"-16 Locking Center Flange Nut	2	06500901
7	5/16"-18 Locking Center Flange Nut	1	06500840
8	5/16"-18 x 3/4" Hex Bolt	1	05901704
9	1/2"-13 Thread, 5/16" Diameter Plunge Pull Pin	1	07000037

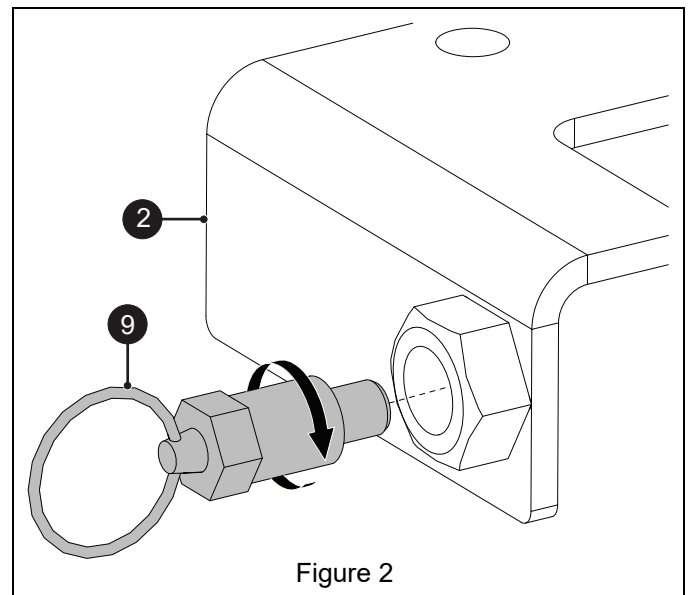


INSTALLATION

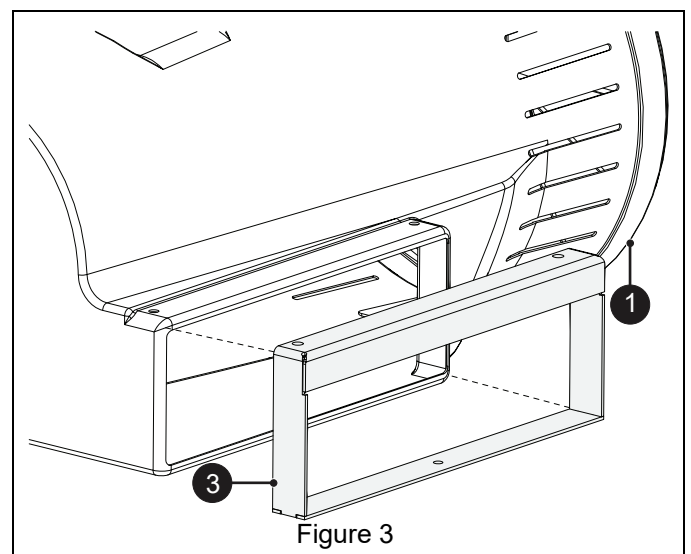
1. Park on level surface and engage parking brake.
2. Wait for all moving parts to stop and for hot parts to cool.
3. Remove key from key switch. Disconnect spark plug wires or remove batteries from unit.

Assembly

1. Install plunge pull pin (item 9) into weld nut in grass catcher mounting bracket (item 2). See Figure 2.



2. Position grass catcher frame (item 3) on grass catcher (item 1). See Figure 3.



- Position mounting bracket assembly on top of frame and secure top edge with two 3/8" x 1" hex bolts (item 4), two 13/32" x 13/16" flat washers (item 5) and two 3/8" center locking flange nuts (item 6). See Figure 4.

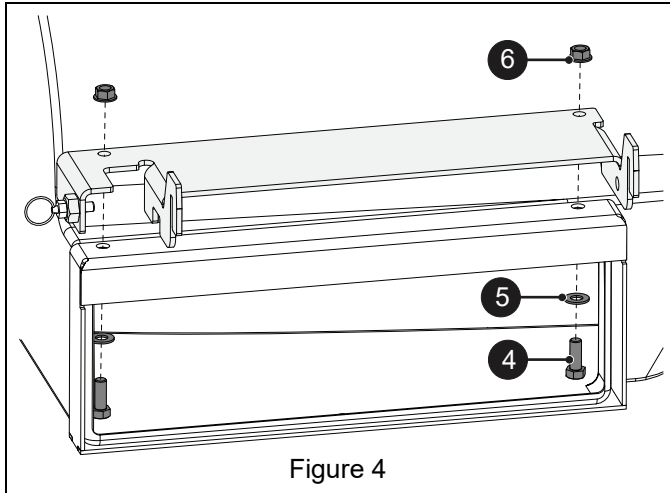


Figure 4

- Secure bottom edge of frame assembly to grass catcher with one 5/16" x 3/4" hex bolt (item 8) and one 5/16" center locking flange nut (item 7). See Figure 5.

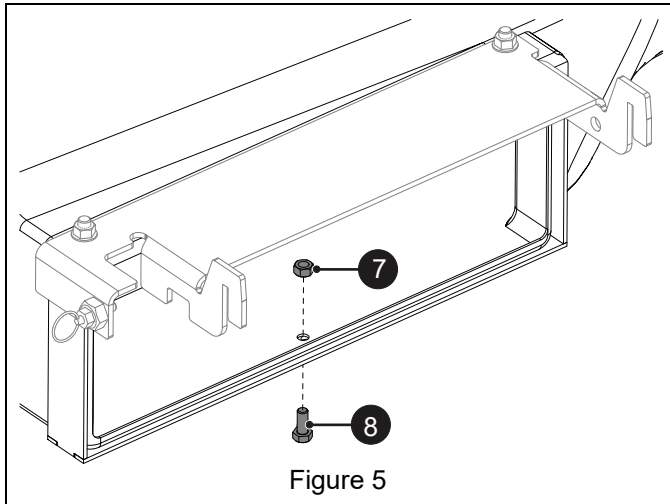


Figure 5

Install on Deck

See Figure 6

- Rotate discharge chute up and lock in up position.
- Position grass catcher assembly at discharge opening and hang mounting bracket on discharge chute bracket edge.
- Pull plunge pin ring out until grass catcher assembly seats on deck.
- Release plunge pin ring and ensure that pin engages hole in discharge bracket.

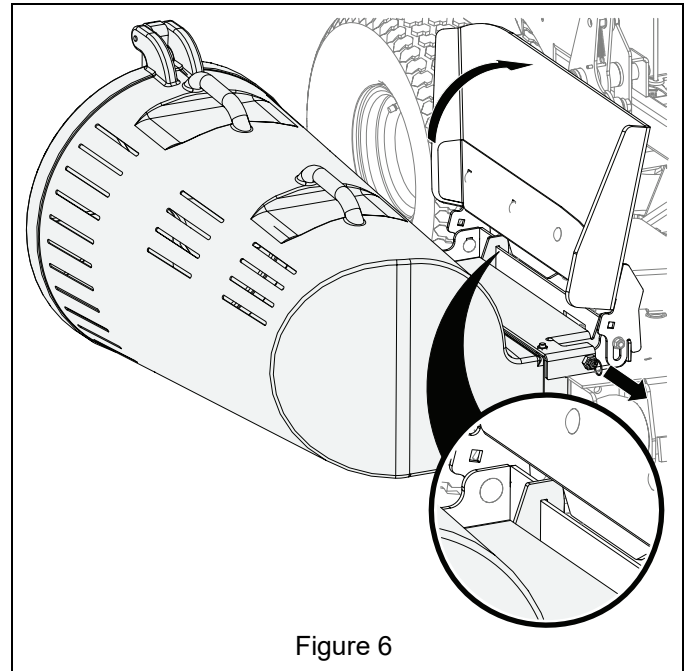


Figure 6

EMPTY CONTENTS

- Pull plunge pin ring and lift grass catcher from deck. See Figure 7
- Pull up on rubber strap hook to disengage from lid.
- Rotate lid up and empty contents.
- Close lid and reconnect hook.

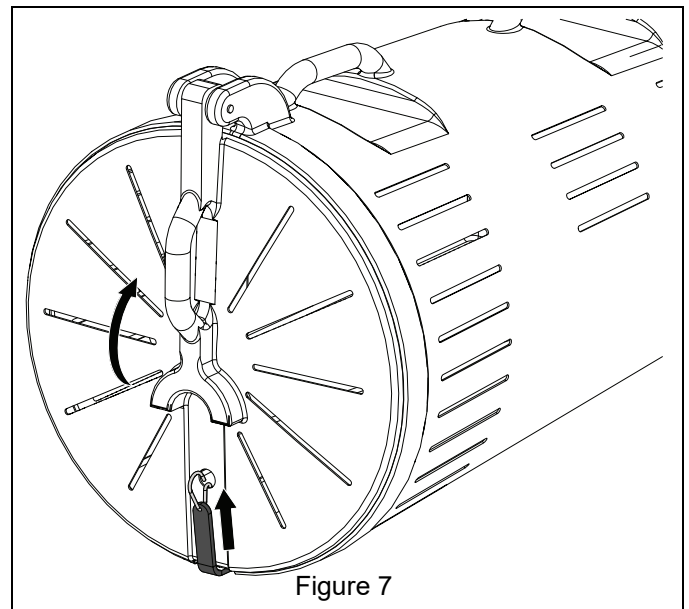


Figure 7

- Reconnect spark plug wires or reinstall batteries.