

Instruction Sheet

Kit Number: 71800800 & 71801300

REAR HITCH KIT



WARNING: FAILURE TO FOLLOW INSTRUCTIONS could result in personal injury and/or damage to unit.

Read, understand, and follow all safety practices in Operator's Manual before beginning.

Package Contents

Check the contents of your kit for the parts listed below. Also see Figure 1.

Item	Description	Qty	AriensCo P/N
1	Hitch Plate	1	09689551
2	1/2"-13 x 1 1/4" Round Head Square Neck Bolt	2	06200325
3	1/2"-13 Center Locking Flange Nut	2	06500902
4	Trailer Hitch Decal	1	05367900
5	3/8"-16 x 1" Round Head Square Neck Bolt	1	06200313
6	3/8"-16 Center Locking Flange Nut	1	06500901

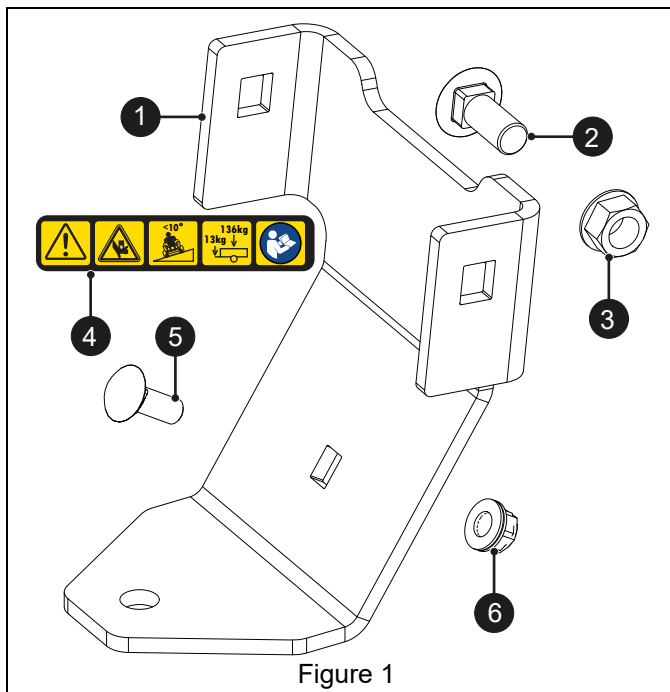


Figure 1

REMOVAL

1. Stop engine, remove key and engage parking brake. Wait for moving parts to stop and for hot parts to cool.

Ariens Units

1. Remove and retain six tapping screws and two round head square neck bolts and hex nuts securing rear wrap. See Figure 2.

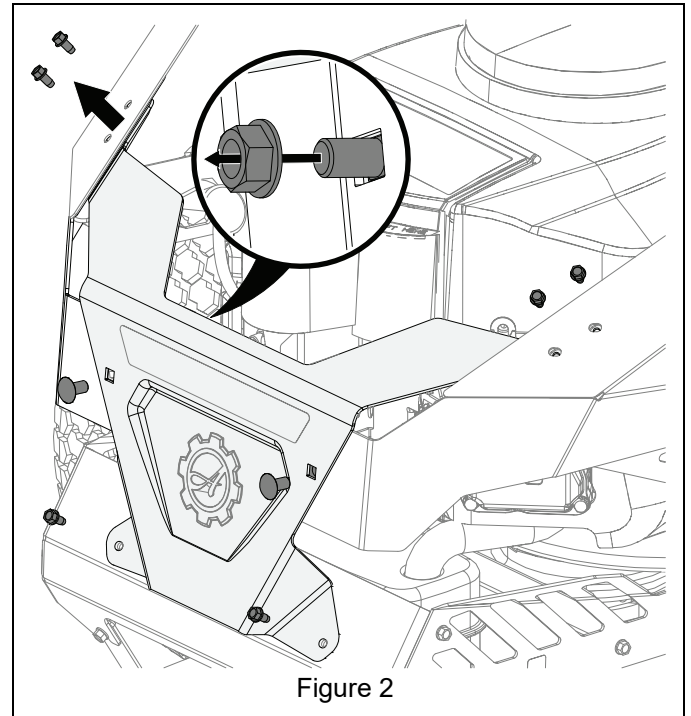


Figure 2

- Carefully remove wrap from unit. Use care to not scratch painted surfaces. See Figure 3.

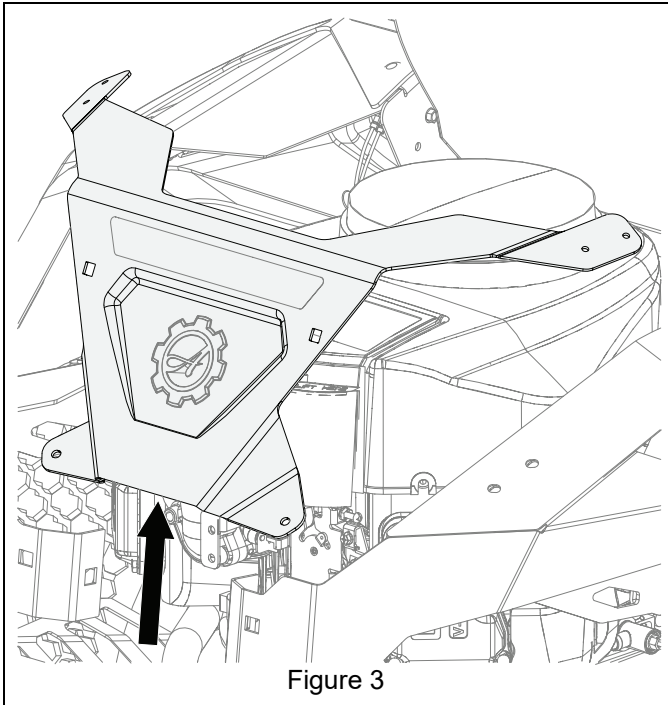


Figure 3

- Carefully remove wrap from unit. Use care to not scratch painted surfaces. See Figure 5.

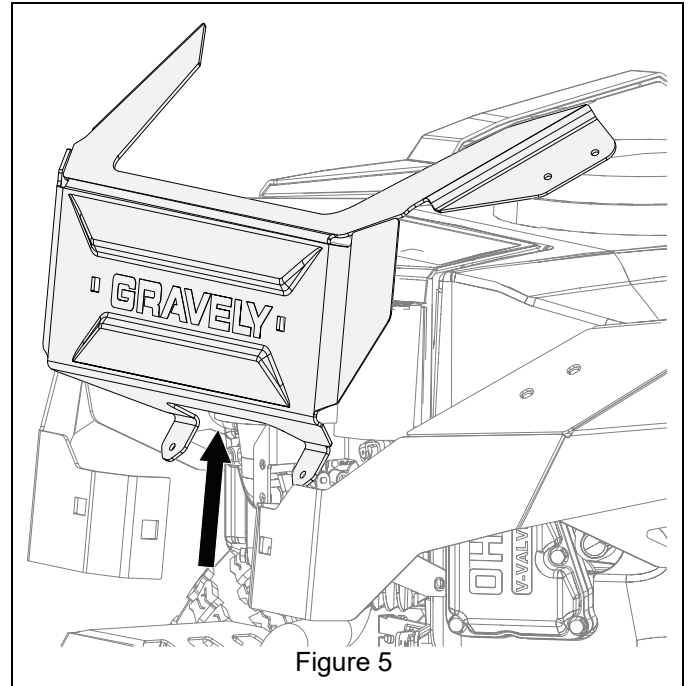


Figure 5

Gravely Units

- Remove and retain six tapping screws and two round head square neck bolts and hex nuts securing rear wrap. See Figure 4.

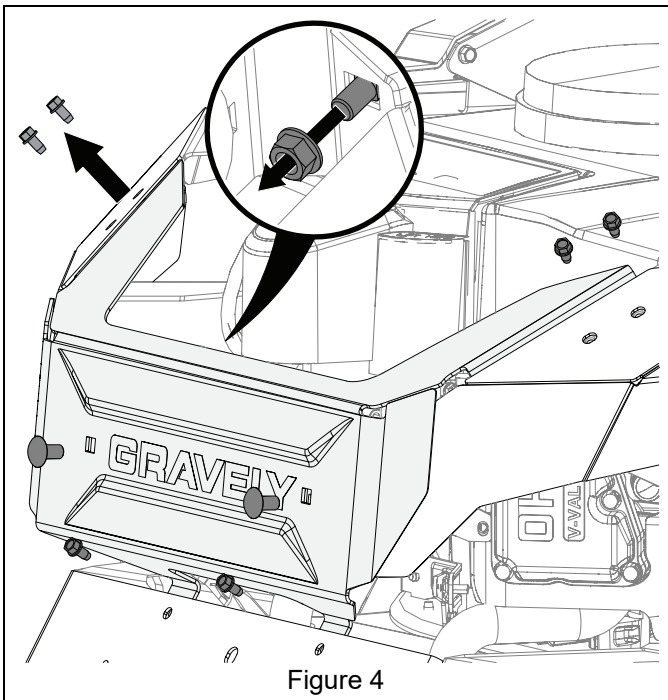


Figure 4

INSTALLATION

See Figure 6.

- Position hitch plate (item 1) on bumper frame. Secure to frame with two 1/2" x 1 1/4" round head square neck bolts (item 2) and two 1/2" center locking flange nuts (item 3). Do not fully tighten hardware yet.

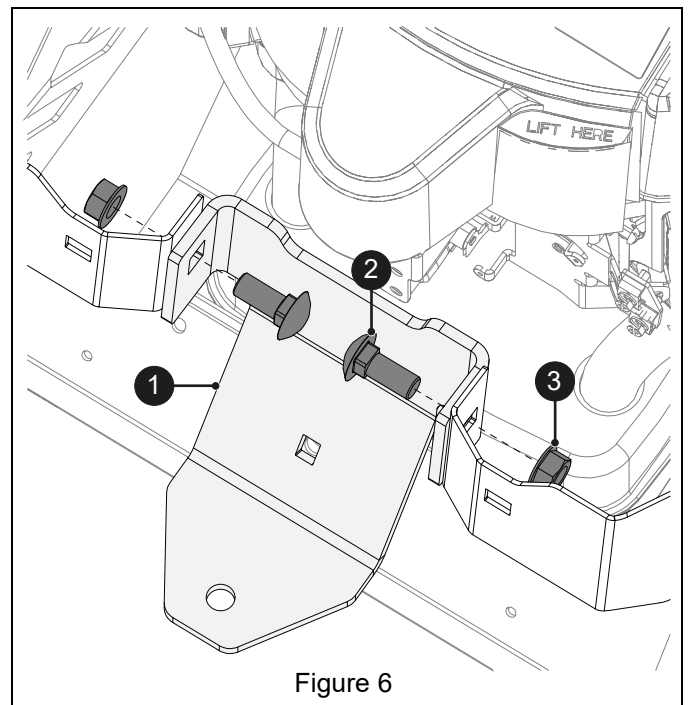
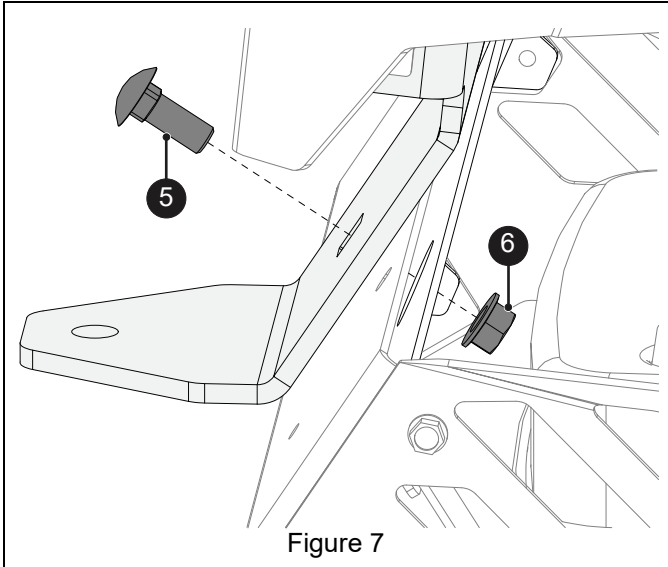
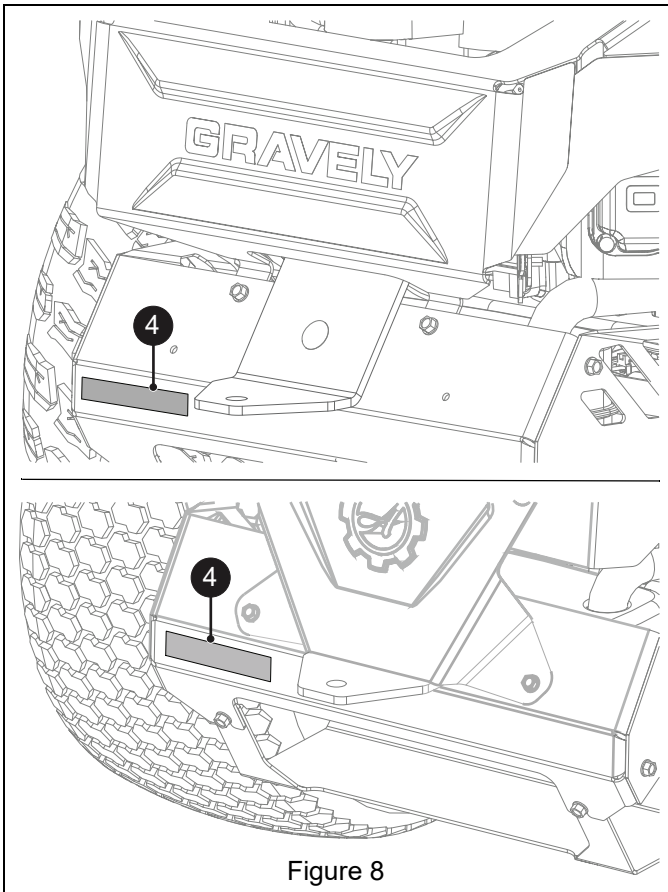


Figure 6

2. Install one 3/8" x 1" round head square neck bolt (item 5) and one 3/8" center locking flange nut (item 6) to center of hitch plate. See Figure 7.

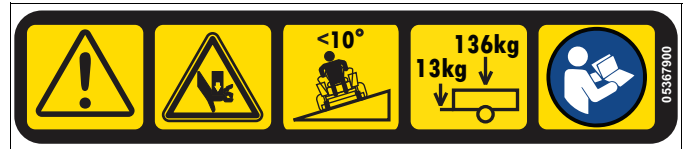


3. Tighten all hitch hardware.
4. Carefully reposition rear wrap and secure with six tapping screws and two round head square neck bolts and two hex nuts removed earlier.
5. Clean muffler guard surface and install trailer hitch decal (item 4) next to hitch. See Figure 8.



OPERATION

Read and understand safety decal warnings prior to using hitch. Replace safety decal (item 4) if missing or damaged.



	CAUTION! Avoid injury.
	Pinch point. Keep hands away from moving parts. Moving parts can crush or cut.
	DO NOT operate on slopes over 10°.
	Maximum tongue weight: 13 kg (29 lb). Maximum trailer weight: 136 kg (300 lb).
	Read and understand the operator's manual before operating unit.