

Instruction Sheet

Kit Number: 79221600

OPERATOR-CONTROLLED DISCHARGE BAFFLE KIT



WARNING: FAILURE TO FOLLOW INSTRUCTIONS could result in personal injury and/or damage to unit.

Read, understand, and follow all safety practices in Operator's Manual before beginning.

Package Contents

Check the contents of your kit for the parts listed below
Also see Figure 1.

Item	Description	Qty	Ariens P/N
1	Discharge Chute Assembly (Pre-Assembled)	1	N/A
2	Formed Rubber Discharge Chute	1	04880900
3	Discharge Chute Clamp Plate	1	04976151
4	3/8"-16 x 1" Round Head Square Neck Bolt	4	06200235
5	3/8"-16 Nylon Locking Center Flange Nut	4	06500901
6	Actuator Bracket	1	09396451
7	1/4"-20 Center Locking Flange Nut	2	06500821
8	1/4"-20 x 3/4" Hex Bolt	2	05901716
9	11/16" x 7/8" x 9/16" Panel Snap Bushing	1	07500126
10	Wire Handle With Soft Grip (Pre-Assembled)	1	N/A
11	5/16" Right-Hand Thread Rod End	1	03787100
12	5/16"-24 Jam Nut	1	06500923
13	5/16"-18 x 1" Hex Bolt		05901701
14	5/16"-18 Center Locking Flange Nut	1	06500840
15	Safety Decal	1	02988100
16	1/2"-13 x 6 1/2" Hex Bolt	1	05901907
17	1/2" x 1 7/16" Flat Steel Washer	1	06401022
18	1/2"-13 Center Locking Flange Nut	1	06500902

NOTICE: See *Parts List* on page 5 for a full list of parts.

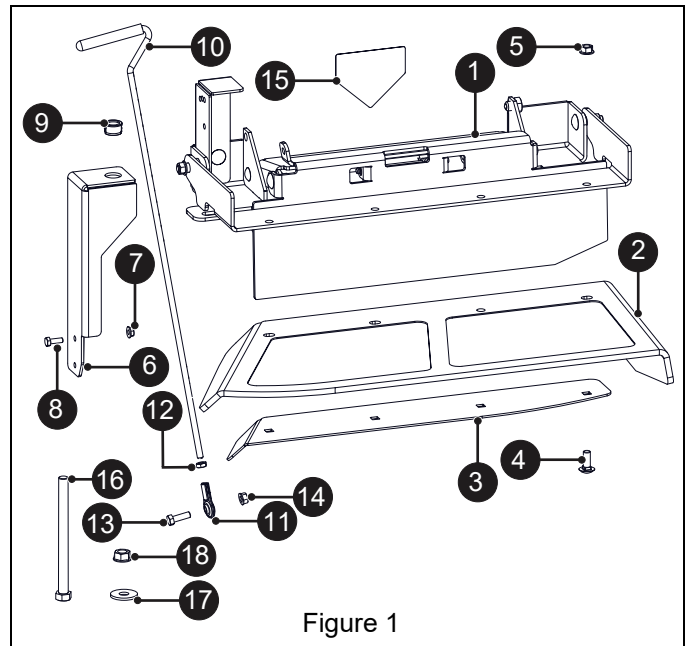


Figure 1

REMOVAL

1. Park unit on a flat, level surface and engage parking brake.
2. Stop engine, remove key and wait for all moving parts to stop and for hot parts to cool.
3. Remove hardware securing discharge chute assembly and remove chute assembly. Retain hardware for installation and discharge chute for use without operator-controlled chute kit. See Figure 2.

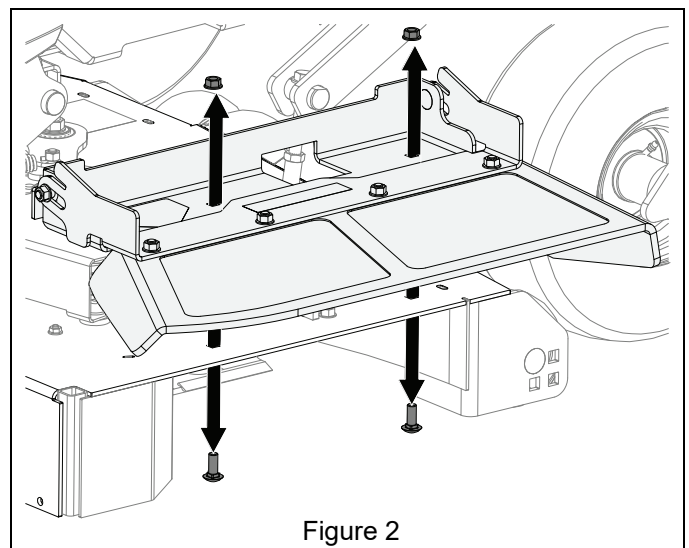


Figure 2

INSTALLATION

1. Position rubber discharge chute (item 2) and chute clamp plate (item 3) on the discharge chute (item 1) mounting bracket and retain using four 3/8" x 1" round head square neck bolts (item 4) and four 3/8" nylon locking center flange nuts (item 5). Bolts install from bottom up. See Figure 3.

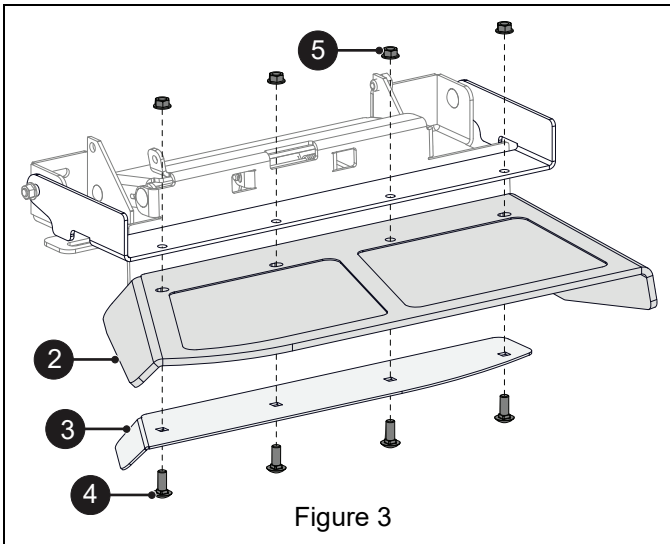


Figure 3

2. Install panel snap bushing (item 9) in top of actuator bracket (item 6). See Figure 5.

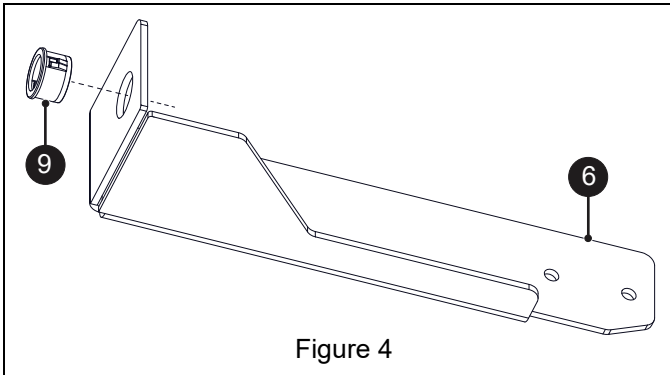


Figure 4

See Figure 5.

3. Position actuator bracket on discharge chute assembly and install one 1/4" x 3/4" hex bolt (item 8) and one 1/4" locking center flange nut (item 7) in lower bracket hole. Do not fully tighten hardware.
4. Use chart to determine correct upper hole position for model and deck size. Install one 1/4" x 3/4" hex bolt (item 8) and one 1/4" locking center flange nut (item 7). Tighten hardware.

Model	44"	48"	52"	60"	72"
Pro-Turn 600	N/A	N/A	1	2	3
HD / Pro-Turn Z / Pro-Turn ZX	1	1	2	3	N/A
Pro-Turn EV / Zenith E	N/A	1	2	3	N/A

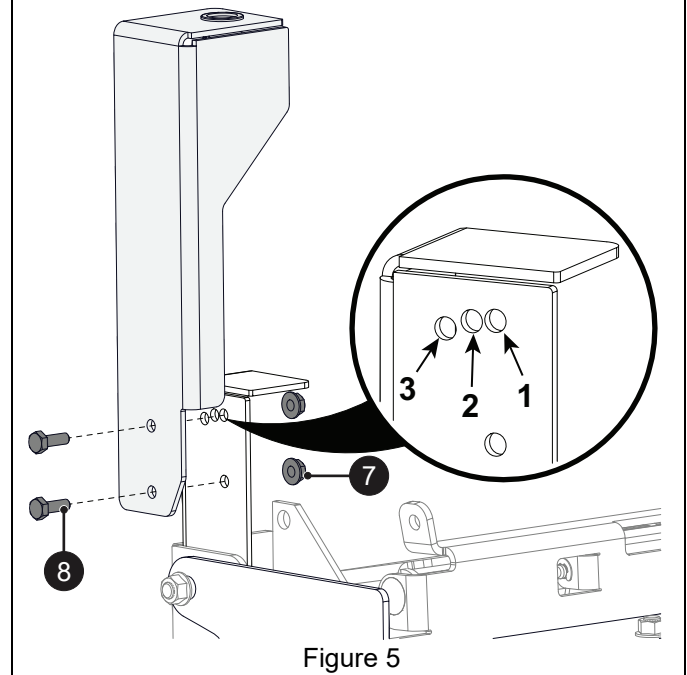
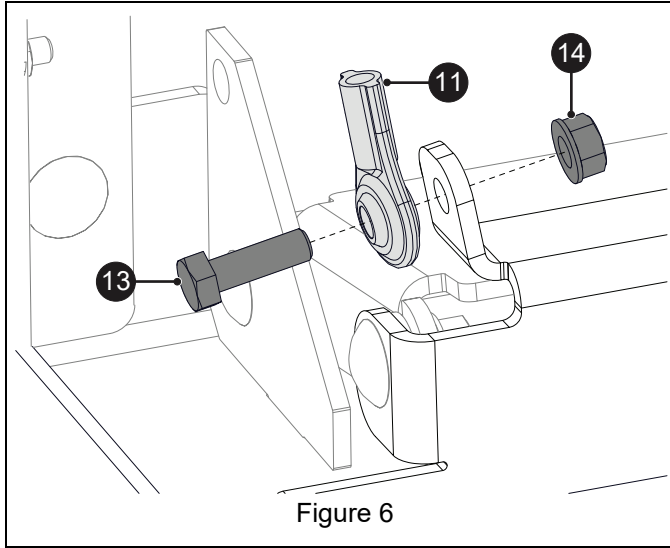
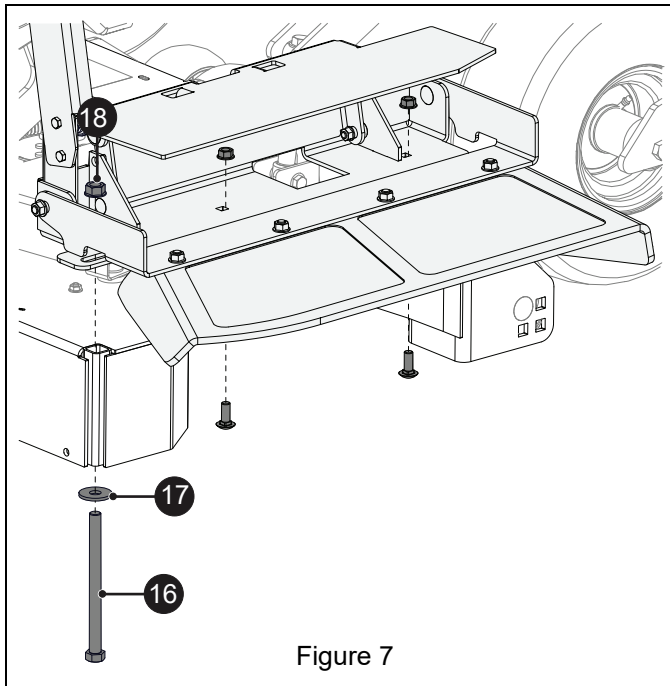


Figure 5

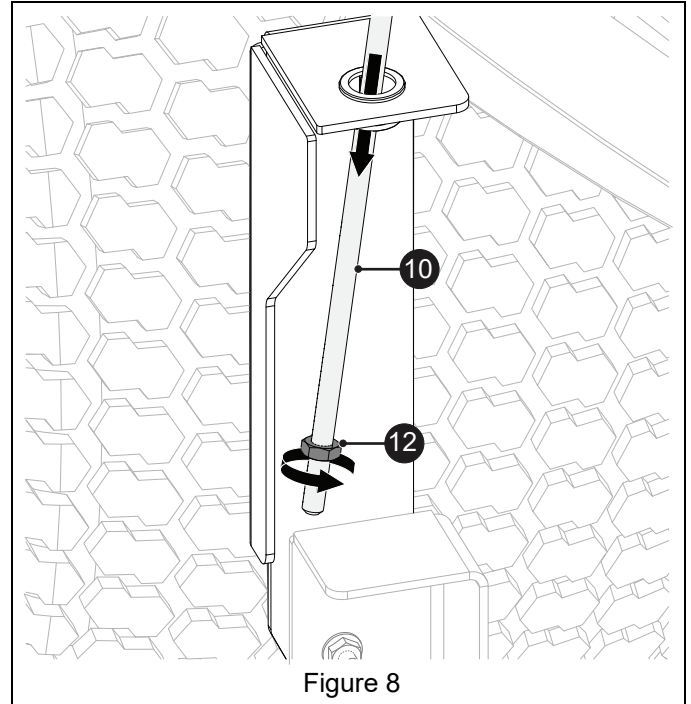
5. Position rod end (item 11) on hinge plate and retain with one 5/16" x 1" hex bolt (item 13) and one 5/16" center-locking flange nut (item 14). See Figure 6.



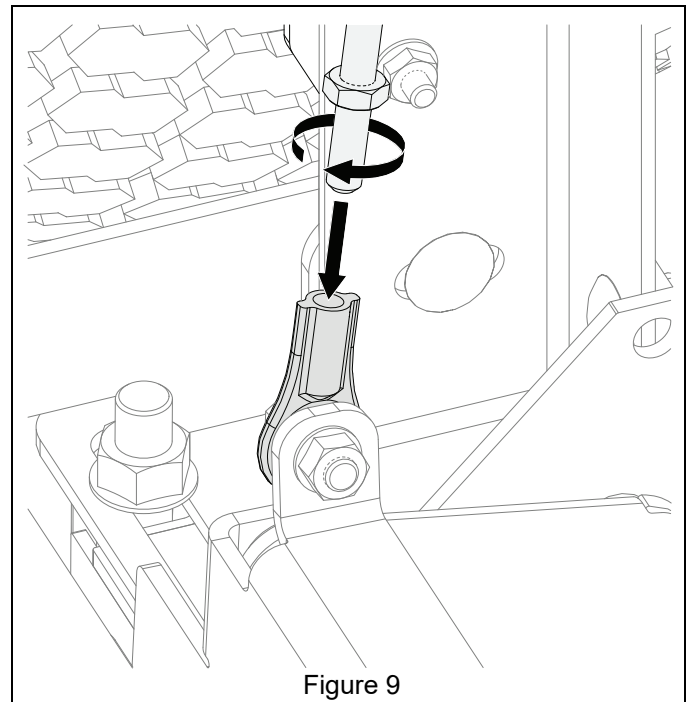
6. Position discharge chute assembly on deck and retain with two 3/8" x 1" round head square neck bolts and two 3/8" center locking flange nuts removed earlier. Secure assembly with one 1/2" x 6 1/2" hex bolt (item 16), one 1/2" x 1 7/16" flat steel washer (item 17) and one 1/2" center locking flange nut (item 18). See Figure 7.



7. Insert wire handle (item 10) through actuator bracket and thread jam nut (item 12) onto wire handle and up handle shaft. See Figure 8.



8. Install handle into rod end and thread handle clockwise into ball joint. Turn until at least half of the handle threads are seated in ball joint. See Figure 9.



9. Sit in seat and rotate handle to preferred position.
10. Tighten jam nut against ball joint. See Figure 10.

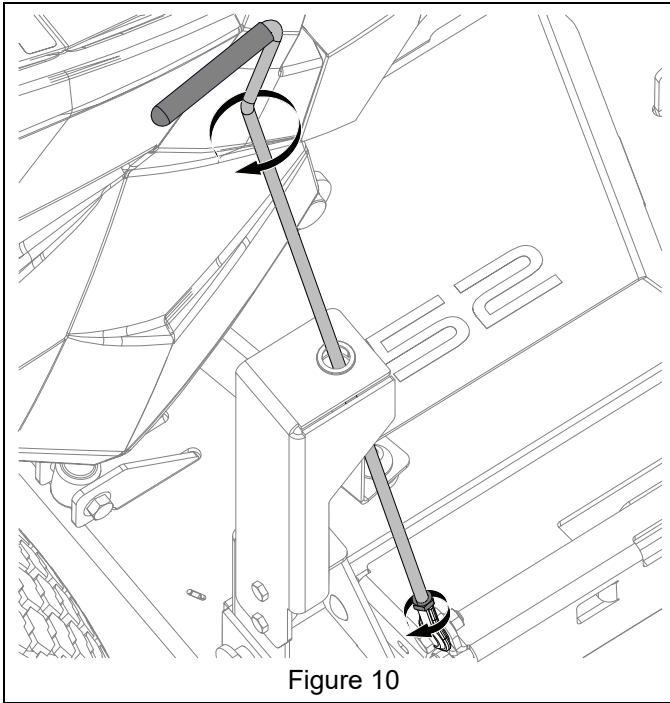


Figure 10

11. Test chute function.

12. Locate an area on the deck surface with sufficient space to fit the safety decal (item 15).

NOTICE: Decal mounting location will vary with deck size. Choose a location that is clearly visible to the operator and bystanders.

13. Thoroughly clean deck surface and install safety decal on deck. See Figure 11.

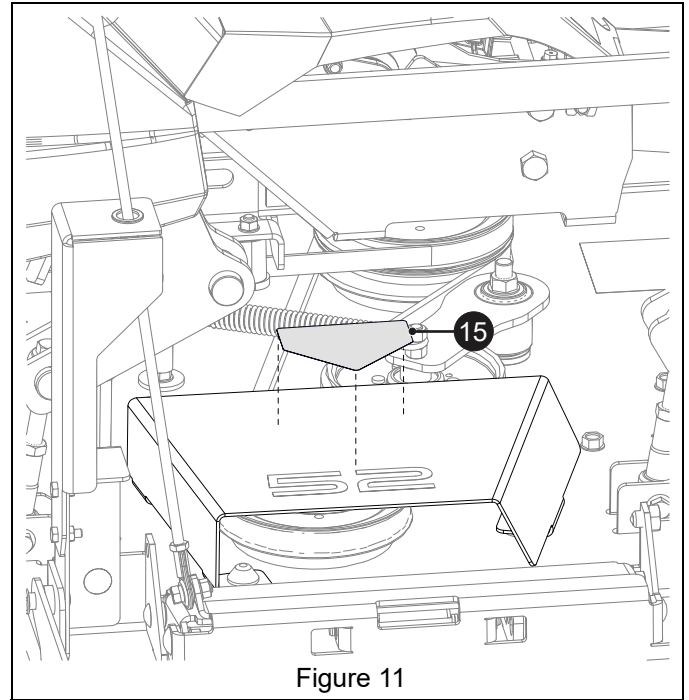


Figure 11

OPERATION

1. Pull handle up to open discharge opening; push handle down to block discharge opening.

PARTS LIST

See Figure 12.

Item Description	Qty	Ariens P/N
1 OCDC Base	1	09396051
2 Block-Off Hinge	1	09396151
3 Block-Off Plate	1	09396251
4 Chute Mounting Bracket	1	09396353
5 Actuator Bracket	1	09396451
6 Actuator Bottom Bracket	1	09396551
7 Formed Rubber Discharge Chute	1	04880900
8 Discharge Chute Clamp Plate	1	04976151
9 Wire Handle	1	04852700
10 Soft Touch Hand Grip	1	05174400
11 3/8"-16 x 1 1/2" Round Head Square Neck Bolt	2	06200328
12 3/8"-16 x 1" Round Head Square Neck Bolt	7	06200235
13 5/16"-18 x 1 1/4" Round Head Square Neck Bolt	2	06200310
14 3/8"-16 Nylon Locking Center Flange Nut	9	06500901
15 5/16"-18 Center Locking Flange Nut	3	06500840
16 1/4"-20 Center Locking Flange Nut	2	06500821
17 1/2"-13 Jam Nut	2	06500911
18 1/2"-13 Ball Spring Plunger	2	07001704
19 3/8" x 1/2" x 7/8" Flange Bushing	2	05500435
20 1/4"-20 x 3/4" Hex Bolt	2	05901716
21 External Retaining Ring	2	05718300
22 25/64" x 1/2" x 25/32" x 7/8" Flanged Spacer	2	03114500
23 5/16" x 1/2" x 11/16" Flange Bearing Spacer	2	01213100
24 3/16" x 11 1/4" Pin	1	06800123
25 Torsion Spring	1	08300515
26 5/16" Right-Hand Thread Rod End	1	03787100
27 11/16" x 7/8" x 9/16" Panel Snap Bushing	1	07500126
28 5/16"-24 Jam Nut	1	06500923
29 5/16"-18 x 1" Hex Bolt		05901701
30 Danger Decal	1	02988100

Item Description	Qty	Ariens P/N
31 1/2"-13 x 6 1/2" Hex Bolt	1	05901907
32 1/2" x 1 7/16" Flat Steel Washer	1	06401022
33 1/2"-13 Center Locking Flange Nut	1	06500902

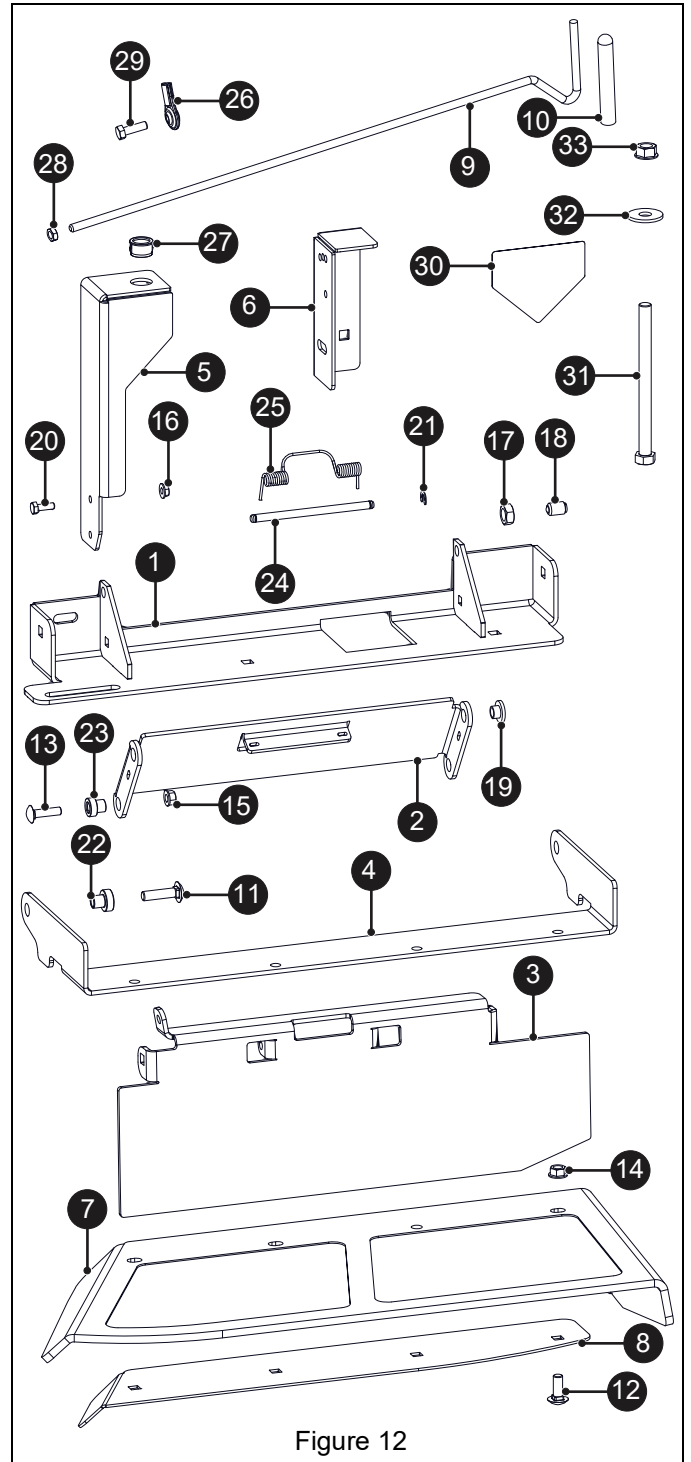


Figure 12