

Instruction Sheet

Kit Number: 79221800

STRIPING KIT



WARNING: FAILURE TO FOLLOW INSTRUCTIONS could result in personal injury and/or damage to unit.

Read, understand, and follow all safety practices in Operator's Manual before beginning.

Package Contents

Check the contents of your kit for the parts listed below. Also see Figure 1.

Item	Description	Qty	AriensCo P/N
1	Flat Steel Washer	2	06401121
2	15 1/2" Striper Bar	3	09394451
3	6 3/4" Striper Bar	2	09394351
4	3/8"-16 x 3/4" Self-Tapping Screw	1	07400129
5	Rubber Striper Skirt	1	07500507
6	3/8"-16 x 1" 6-Lobe Pan-Head Thread-Rolling Bolt	10	07000023

NOTICE: Not all included parts will be used for installation depending on application.

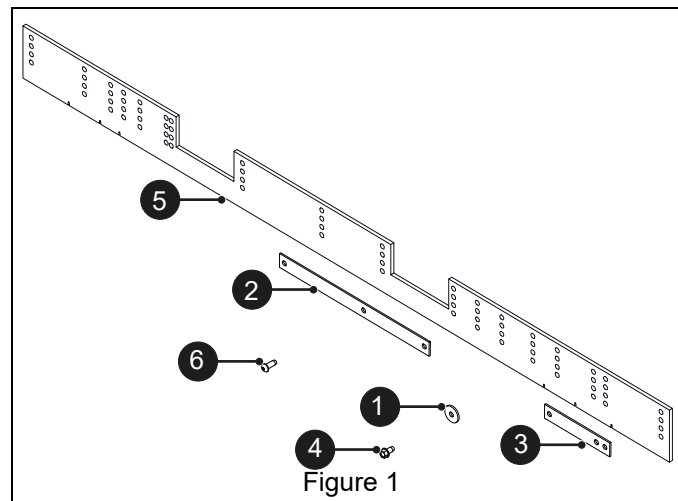


Figure 1

INSTALLATION

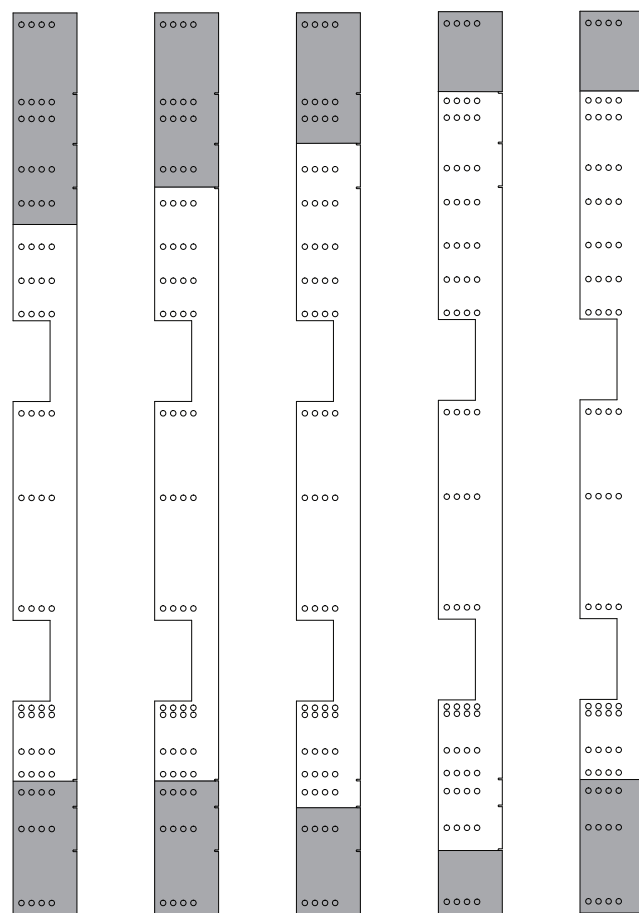
1. Park unit on a flat, level surface and engage parking brake.
2. Stop unit, remove key and wait for all moving parts to stop and for hot parts to cool.
3. Electric units: Remove all batteries.



WARNING: AVOID INJURY! Make sure jack stands are secure and can support the weight of the unit.

4. Raise and support the rear of the unit on jack stands.
5. Remove rear wheels to provide access to the rear of the deck.
6. Locate the cut location notch on the rubber striper skirt (item 5) and trim the skirt to the appropriate deck size. See Figure 2.
7. Proceed to appropriate deck installation instructions.

Striper Skirt Trim Locations (Shiny Side Up)



44"

48"

52"

60"

Except
997001
997301

60"

997001
997301
Only

No trimming required for 72" deck.

Figure 2

44" Mower Decks

See Figure 3.

1. Trim rubber skirt (item 5) as shown in Figure 2.
2. Set deck for height of cut that grass will be cut.
3. Attach striper skirt to rear of deck using the following:
 - two 6 3/4" striper bars (item 3). Use inner holes.
 - one 15 1/2" striper bar (item 2)
 - six 3/8" x 1" pan-head bolts (item 6)
 - one 3/8" x 3/4" self-tapping screw (item 4)
4. Reinstall rear wheels and lower unit to the ground.

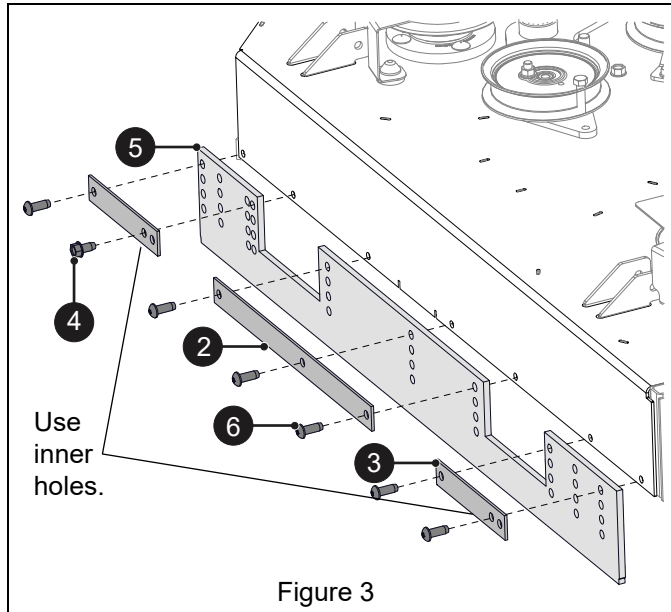


Figure 3

5. See *Striping Tips* on page 3 for operation.

48" Mower Decks

See Figure 4.

1. Trim rubber skirt (item 5) as shown in Figure 2.
2. Set deck for height of cut that grass will be cut.
3. Attach striper skirt to rear of deck using the following:
 - one 6 3/4" striper bars (item 3)
 - one 15 1/2" striper bar (item 2)
 - five 3/8" x 1" pan-head bolts (item 6)
 - two flat steel washers (item 1)
 - one 3/8" x 3/4" self-tapping screw (item 4)

IMPORTANT: Flat washers MUST be installed at shown locations to ensure self-tapping screws do not contact blades.

4. Reinstall rear wheels and lower unit to the ground.

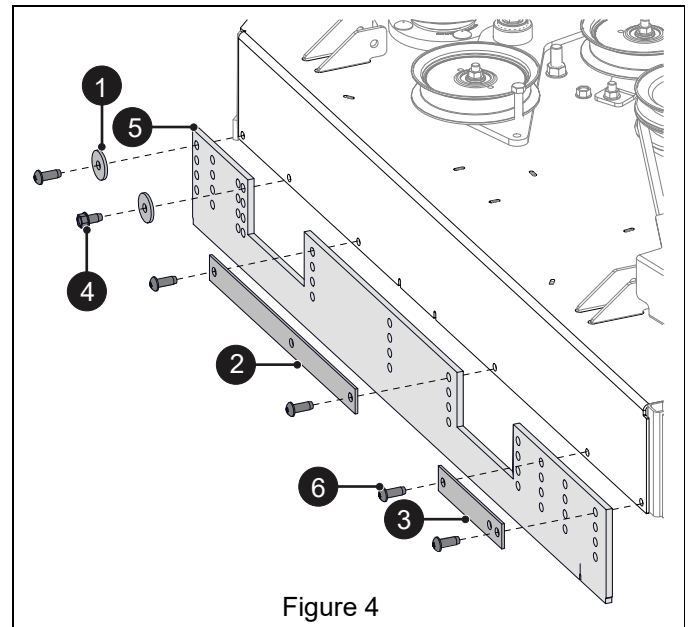


Figure 4

5. See *Striping Tips* on page 3 for operation.

52" Mower Decks

See Figure 5.

1. Trim rubber skirt (item 5) as shown in Figure 2.
2. Set deck for height of cut that grass will be cut.
3. Attach striper skirt to rear of deck using the following:
 - two 6 3/4" striper bars (item 3)
 - one 15 1/2" striper bar (item 2)
 - seven 3/8" x 1" pan-head bolts (item 6)
 - one flat steel washer (item 1)
 - one 3/8" x 3/4" self-tapping screw (item 4)

IMPORTANT: Flat washer MUST be installed at shown location to ensure self-tapping screw does not contact blades.

4. Reinstall rear wheels and lower unit to the ground.

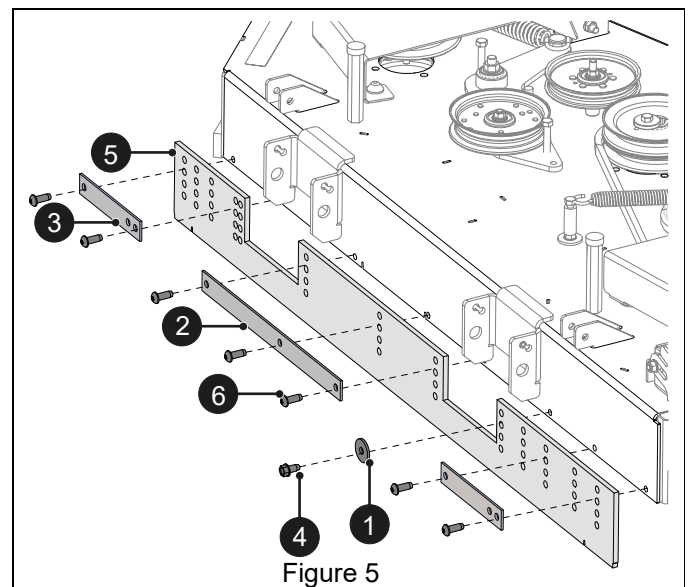


Figure 5

5. See *Striping Tips* on page 3 for operation.

60" Mower Decks (Except Models 997001 & 997301)

See Figure 6.

1. Trim rubber skirt (item 5) as shown in Figure 2.
2. Set deck for height of cut that grass will be cut.
3. Attach striper skirt to rear of deck using the following:
 - one 6 3/4" striper bars (item 3)
 - two 15 1/2" striper bars (item 2)
 - nine 3/8" x 1" pan-head bolts (item 6)
 - one flat steel washer (item 1)
 - one 3/8" x 3/4" self-tapping screw (item 4)

IMPORTANT: Flat washer **MUST** be installed at shown location to ensure self-tapping screw does not contact blade.

4. Reinstall rear wheels and lower unit to the ground.

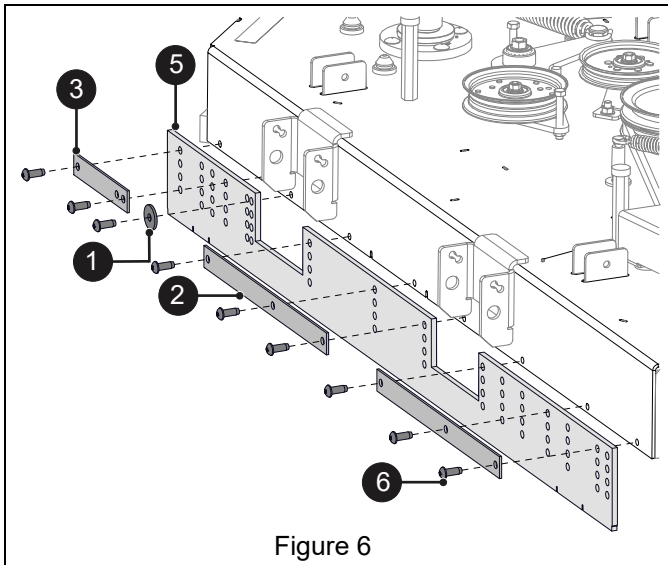


Figure 6

5. See *Striping Tips* on page 3 for operation.

60" Mower Decks (Models 997001 & 997301 Only)

See Figure 7.

1. Trim rubber skirt (item 5) as shown in Figure 2.
2. Set deck for height of cut that grass will be cut.
3. Attach striper skirt to rear of deck using the following:
 - two 15 1/2" striper bars (item 2)
 - seven 3/8" x 1" pan-head bolts (item 6)
 - two flat steel washers (item 1)
 - one 3/8" x 3/4" self-tapping screw (item 4)

IMPORTANT: Flat washers **MUST** be installed at shown locations to ensure self-tapping screw and pan-head bolt do not contact blade.

4. Reinstall rear wheels and lower unit to the ground.

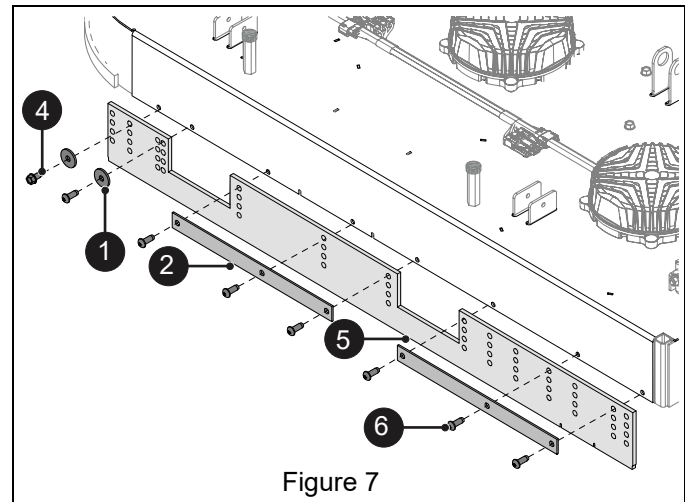


Figure 7

5. See *Striping Tips* on page 3 for operation.

72" Mowers

See Figure 8.

1. Set deck for height of cut that grass will be cut.
2. Attach untrimmed striper skirt (item 5) to rear of deck using the following:
 - one 6 3/4" striper bar (item 3)
 - three 15 1/2" striper bar (item 2)
 - ten 3/8" x 1" pan-head bolts (item 6)
3. Reinstall rear wheels and lower unit to the ground.

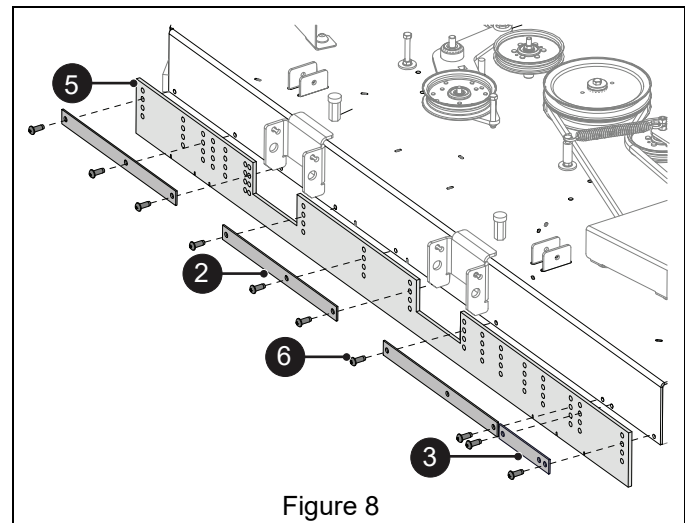


Figure 8

4. See *Striping Tips* on page 3 for operation.

STRIPING TIPS

1. Adjust the striper skirt so it drags the ground at desired cutting height. The more the skirt drags, the more pronounced the striping.
2. Do not cut grass too short.
3. Determine the striping pattern before starting to mow.