

Instruction Sheet

Kit Number: 71801200

ENTRY ASSIST HANDLE KIT



WARNING: FAILURE TO FOLLOW INSTRUCTIONS could result in personal injury and/or damage to unit.

Read, understand, and follow all safety practices in Operator's Manual before beginning.

Package Contents

Check the contents of your kit for the parts listed below
Also see Figure 1.

Item	Description	Qty	AriensCo P/N
1	Entry Assist Handle	1	09683151
2	Mount Flange	1	09683051
3	Grip (Pre-Installed)	1	05082200
4	3/8"-16 x 4" Round Head Square Neck Bolt	2	06200239
5	3/8"-16 x 3 1/2" Round Head Square Neck Bolt	2	06200302
6	3/8"-16 x 3" Round Head Square Neck Bolt	2	06200418
7	3/8"-16 Center Lock Flange Nut	2	06500901

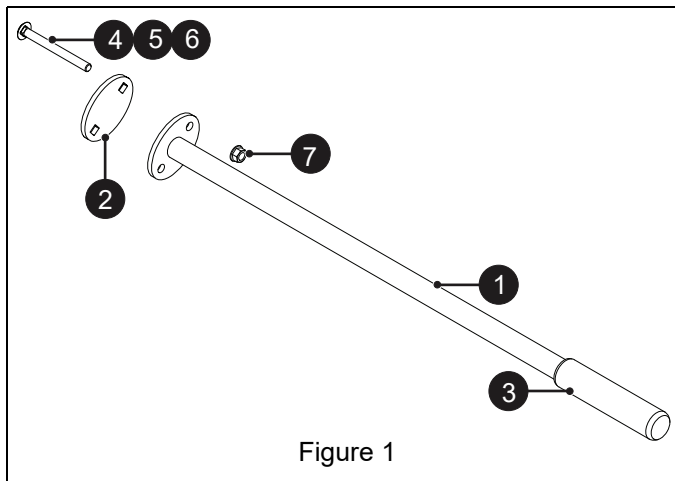


Figure 1

INSTALLATION

See Figure 2.

1. Stop unit and remove key.
2. Wait for all moving parts to stop and for hot parts to cool.
3. Engage parking brake.
4. Position entry assist handle (item 1) on left frame rail.
5. Kit is designed for multiple applications. Determine appropriate round head square neck bolt length to use based on frame height:
 - 3/8" x 4" (item 4)
 - 3/8" x 3 1/2" (item 5)
 - 3/8" x 3" (item 6)

NOTICE: Ensure that bolt length chosen allows a minimum of 2 – 3 threads to be visible beyond edge of flange nut after installation.

6. Position mount flange (item 2) under frame below assist handle and secure to assist handle with two round head square neck bolts and two 3/8" center lock flange nuts (item 7).
7. Torque nuts to 10.8 N•m – 13.6 N•m (96 lb-in – 120 lb-in). Do not overtighten.

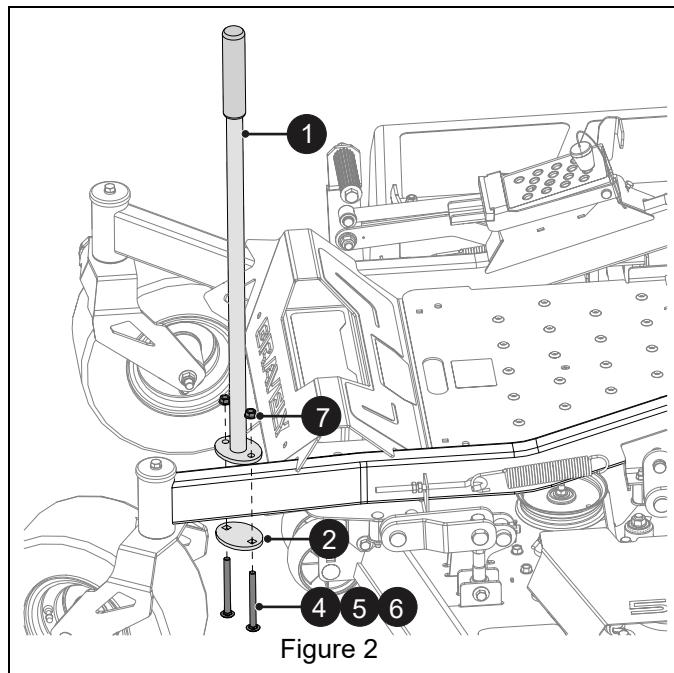


Figure 2