



Pro-Turn 400

Parts Manual

Models:

992273 – Pro-Turn 452
(SN 090000 +)

992275 – Pro-Turn 460
(SN 090000 +)

992276 – Pro-Turn 472
(SN 090000 +)

992278 – Pro-Turn 460 EFI
(SN 090000 +)

992282 – Pro-Turn 452 EFI
(SN 090000 +)

992283 – Pro-Turn 460 EFI
(SN 090000 +)

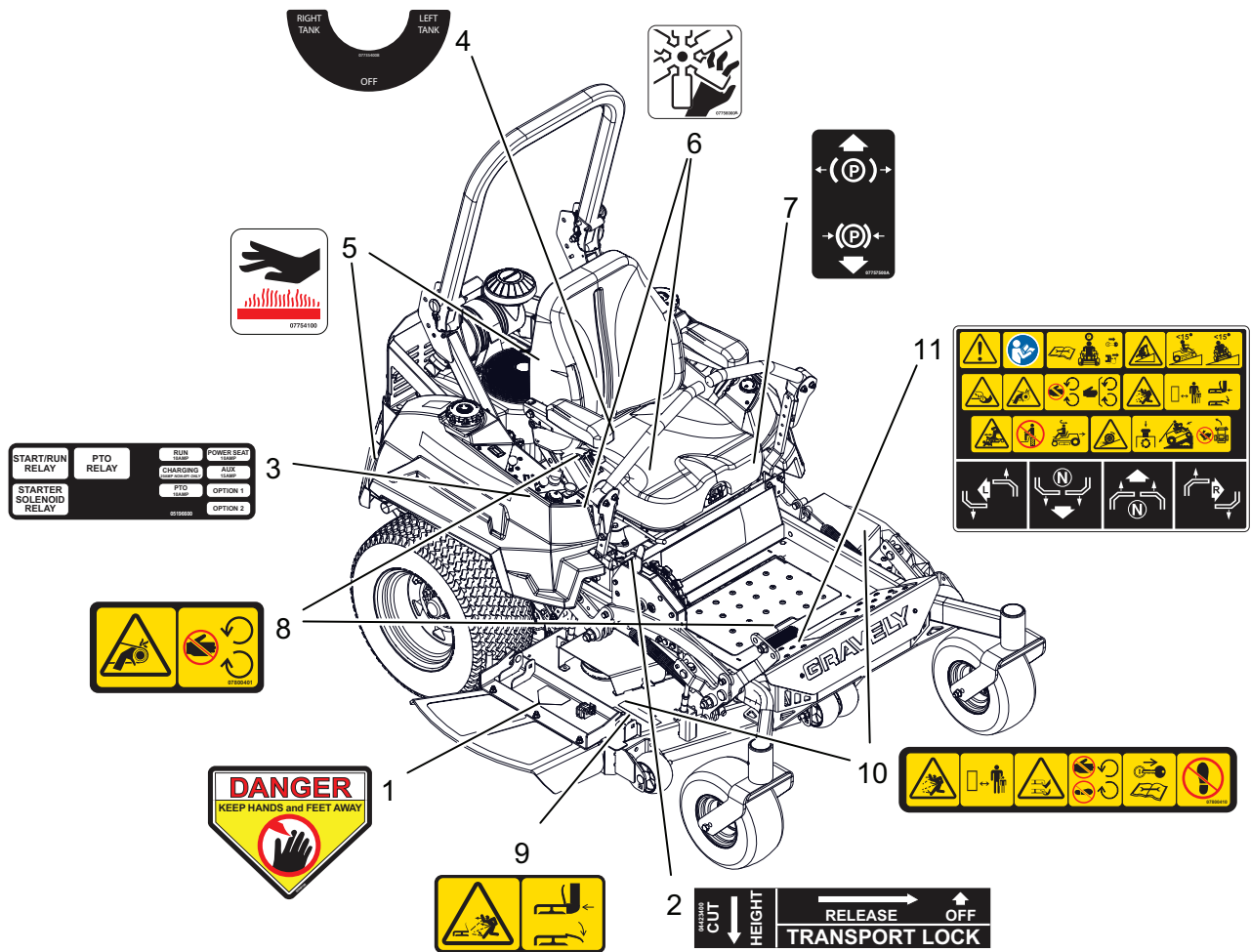
992284 – Pro-Turn 472 EFI
(SN 090000 +)

TABLE OF CONTENTS

Decals – Safety	3	Electrical – EFI	30
Decals – Style – Non-EFI – 52"	4	Continuity Diagram.....	31
Decals – Style – EFI – 52"	5	Wiring Diagram	32
Decals – Style – Non-EFI – 60"	6	Wiring Diagram – EFI Engines.....	33
Decals – Style – EFI – 60"	7	Drive Controls	34
Decals – Style – Non-EFI – 72"	8	Parking Brake.....	35
Decals – Style – EFI – 72"	9	ROPS	36
Frame – 52" and 60"	10	Deck Lift – Left Hand.....	37
Frame – 72"	11	Deck Lift – Right Hand	38
Engine – Kawasaki FX850	12	Deck Lift – Right Hand (Continued)	39
Engine – Kawasaki FX1000V	13	Stabilizer Arms and Baffles – 52"	40
Engine – Kohler EFI ECV880	14	Stabilizer Arms and Baffles – 60"	41
Engine – Yamaha EFI MX775V.....	15	Stabilizer Arms and Baffles – 72"	42
Engine – Yamaha EFI MX825V.....	16	Deck, Belts, Blades, and Spindles – 52"	43
Seat	17	Deck, Belts, Blades, and Spindles – 60"	44
Seat Latch	18	Deck, Belts, Blades, and Spindles – 72"	45
Bumper	19	Idlers and Sheaves – 52"	46
Casters and Tires – 52"	20	Idlers and Sheaves – 60"	47
Casters and Tires – 60" and 72"	21	Idlers and Sheaves – 72"	48
Transaxles	22	Anti-Scalp Wheels – 52" and 60"	49
Transaxle Drive	23	Anti-Scalp Wheels – 72"	50
PTO Clutch	24	Belt Covers – 52" and 60"	51
Fuel System.....	25	Belt Covers – 72"	52
Control Panel – Kawasaki Engines	26	Chute – 52" and 60"	53
Control Panel – Kohler EFI Engine.....	27	Chute – 72"	54
Control Panel – Yamaha EFI Engines.....	28		
Electrical – Non-EFI.....	29		

DECALS – SAFETY

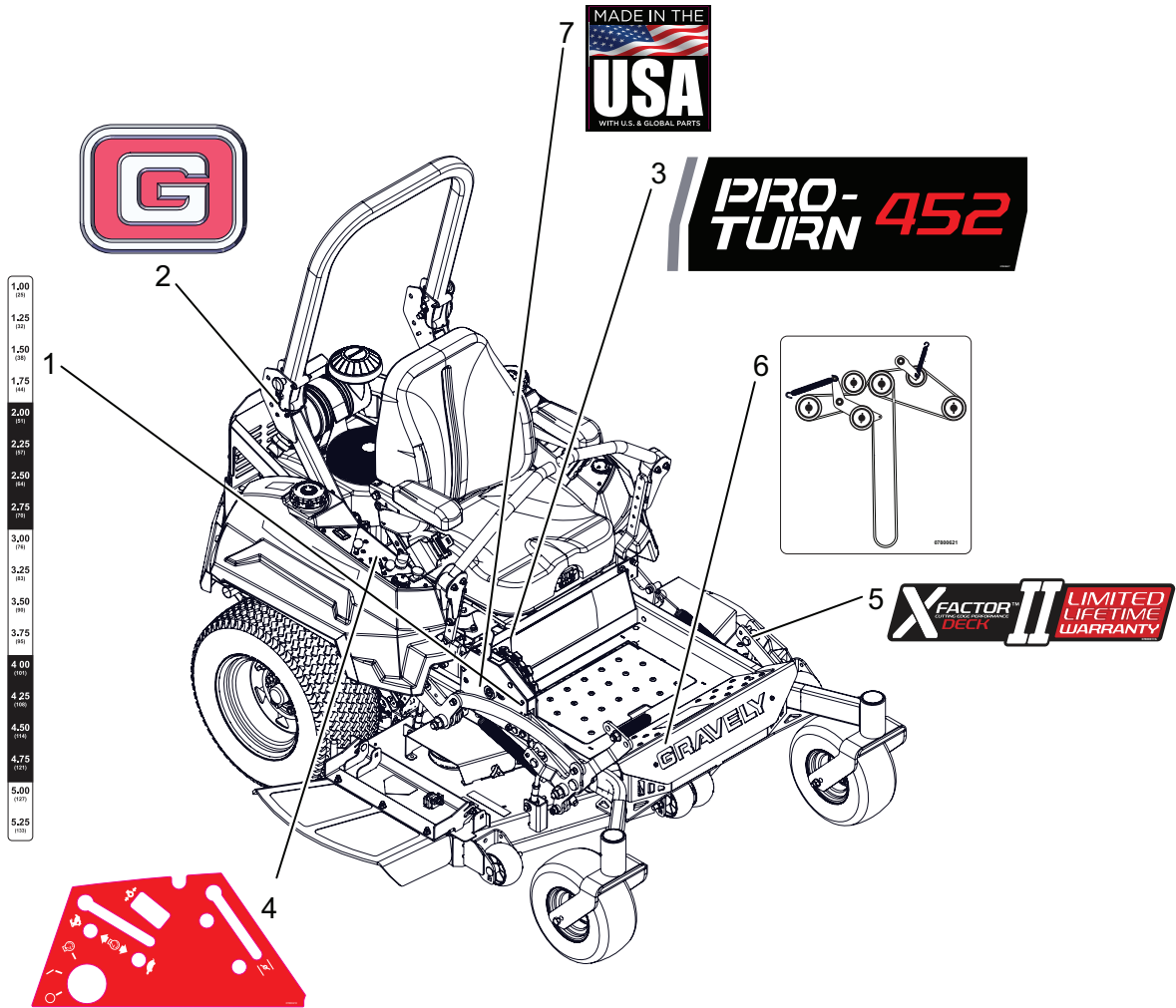
Models All



BOM ID	Number	Qty	Description
1	02988100	1	DECAL, DANGER
2	04423400	1	DECAL, TRANSPORT LOCK INSTRUCT
3	05196600	1	DECAL, FUSE BOX - PT200/400
4	07735400	1	DECAL, FUEL CONTROL VALVE
5	07754100	2	DECAL, HOT SURFACE
6	07756000	2	DECAL, DANGER - FAN
7	07757500	1	DECAL, PARKING BRAKE LEVER
8	07800401	2	DECAL, SAFETY - GUARDING
9	07800402	1	DECAL, SAFETY - DECK GUARDING
10	07800410	2	DECAL, DECK SAFETY
11	07800654	1	DECAL, INSTRUCTION SAFETY

DECALS – STYLE – NON-EFI – 52"

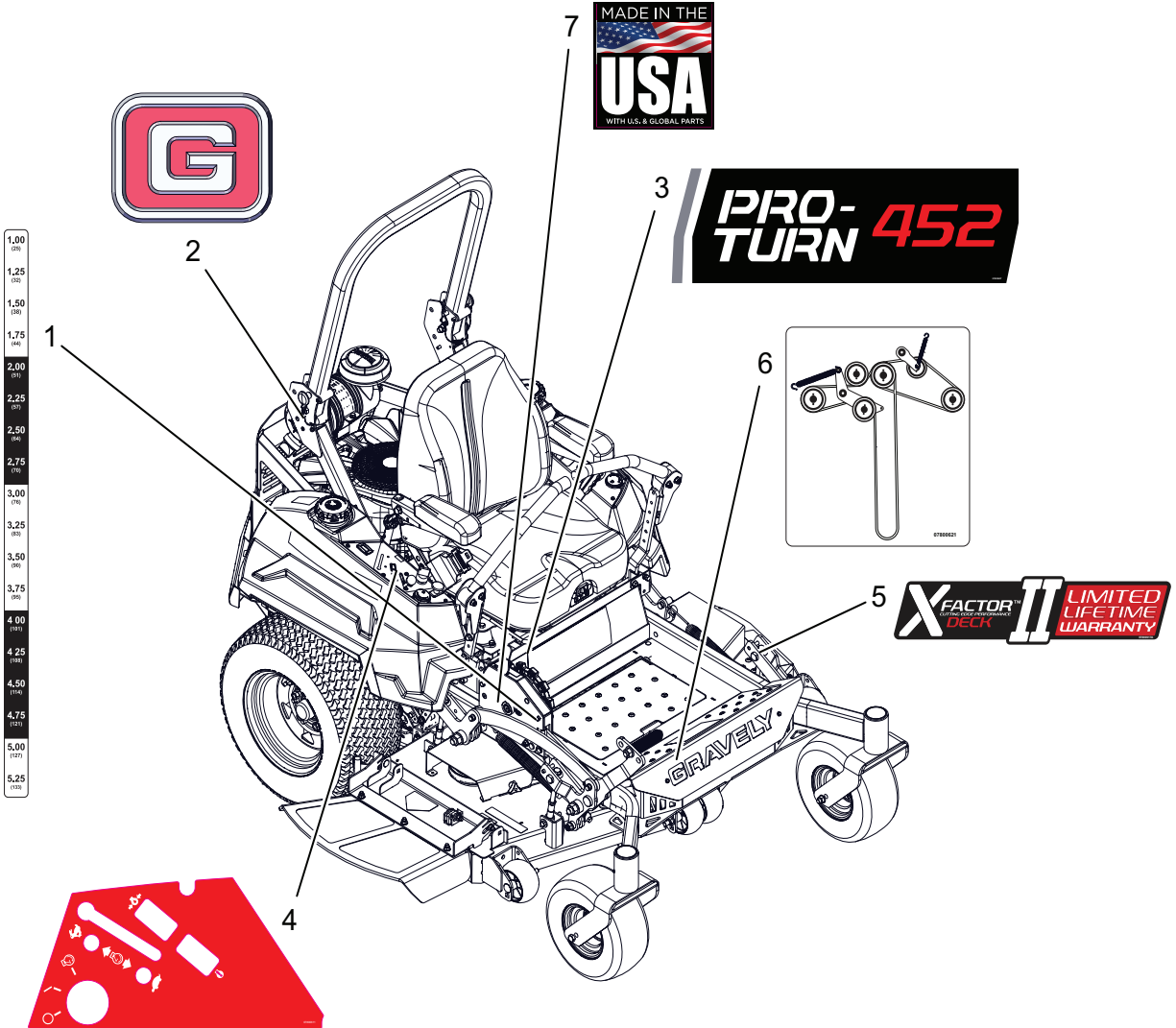
Model 992273



BOM ID	Number	Qty	Description
1	04415200	1	DECAL, PT400 HEIGHT OF CUT
2	07800534	1	DECAL, GRAVELY BRAND
3	07800607	1	DECAL, PRO-TURN 452
4	07800610	1	DECAL, NON-EFI CONTROL PANEL
5	07800617	1	DECAL, X-FACTOR DECK
6	07800621	1	DECAL, BELT ROUTE RH V-SIDE IDLER
7	08001038	1	DECAL, MADE IN USA

DECALS – STYLE – EFI – 52"

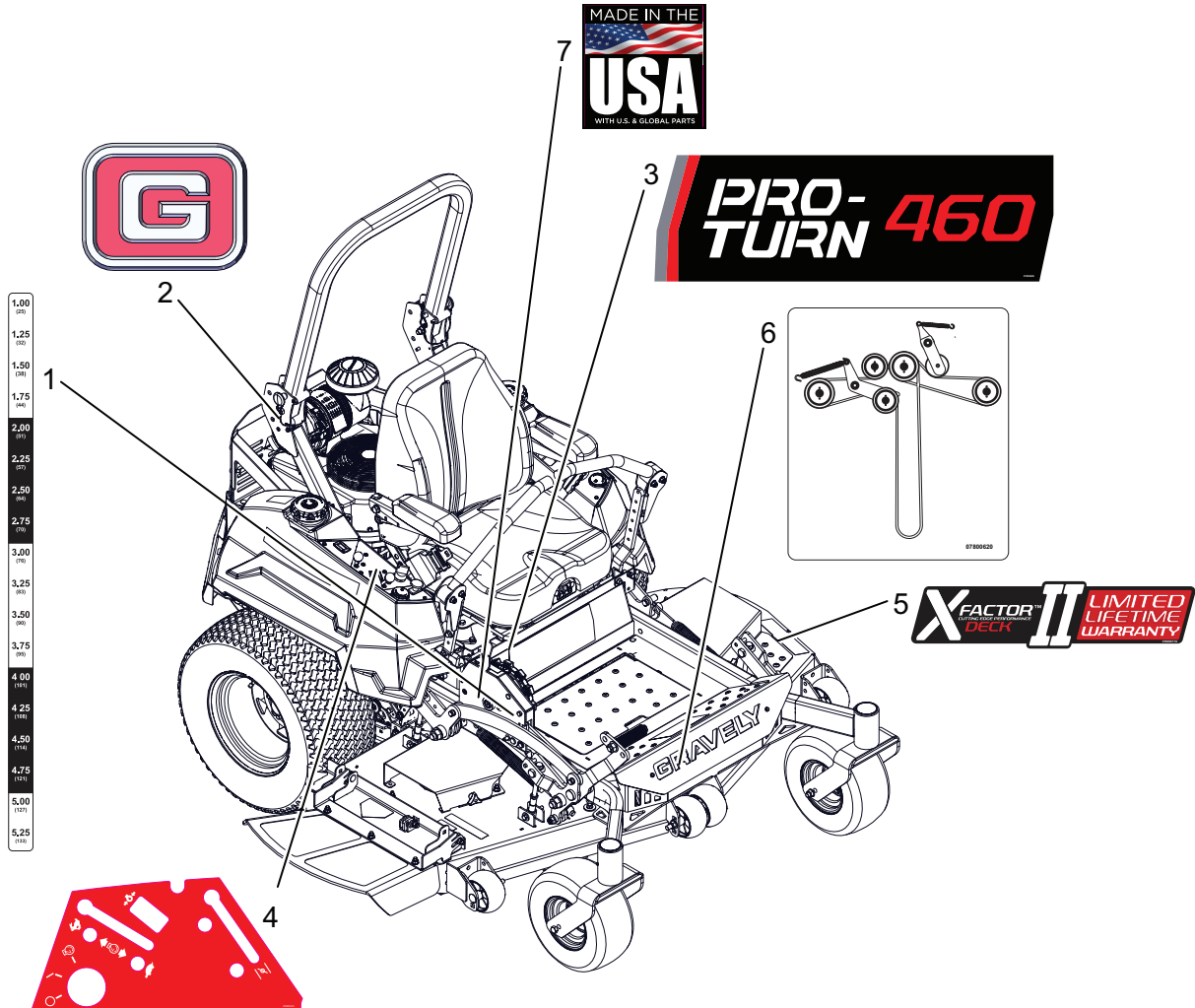
Models 992282



BOM ID	Number	Qty	Description
1	04415200	1	DECAL, PT400 HEIGHT OF CUT
2	07800534	1	DECAL, GRAVELY BRAND
3	07800607	1	DECAL, PRO-TURN 452
4	07800611	1	DECAL, EFI CONTROL PANEL
5	07800617	1	DECAL, X-FACTOR DECK
6	07800621	1	DECAL, BELT ROUTE RH V-SIDE IDLER
7	08001038	1	DECAL, MADE IN USA

DECALS – STYLE – NON-EFI – 60"

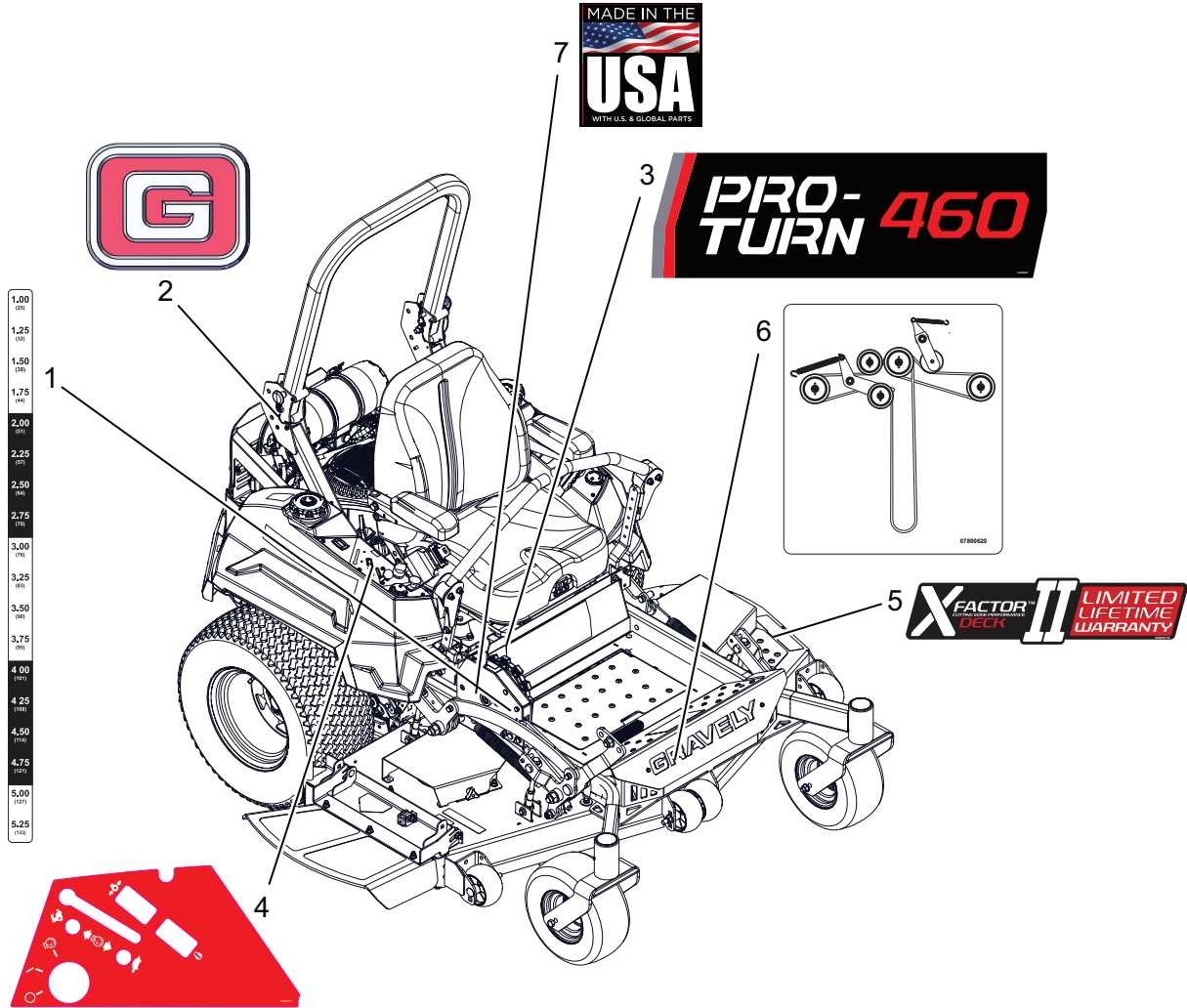
Models 992275



BOM ID	Number	Qty	Description
1	04415200	1	DECAL, PT400 HEIGHT OF CUT
2	07800534	1	DECAL, GRAVELY BRAND
3	07800608	1	DECAL, PRO-TURN 460
4	07800610	1	DECAL, NON-EFI CONTROL PANEL
5	07800617	1	DECAL, X-FACTOR DECK
6	07800620	1	DECAL, BELT ROUTE RH BK SIDE IDLER
7	08001038	1	DECAL, MADE IN USA

DECALS – STYLE – EFI – 60"

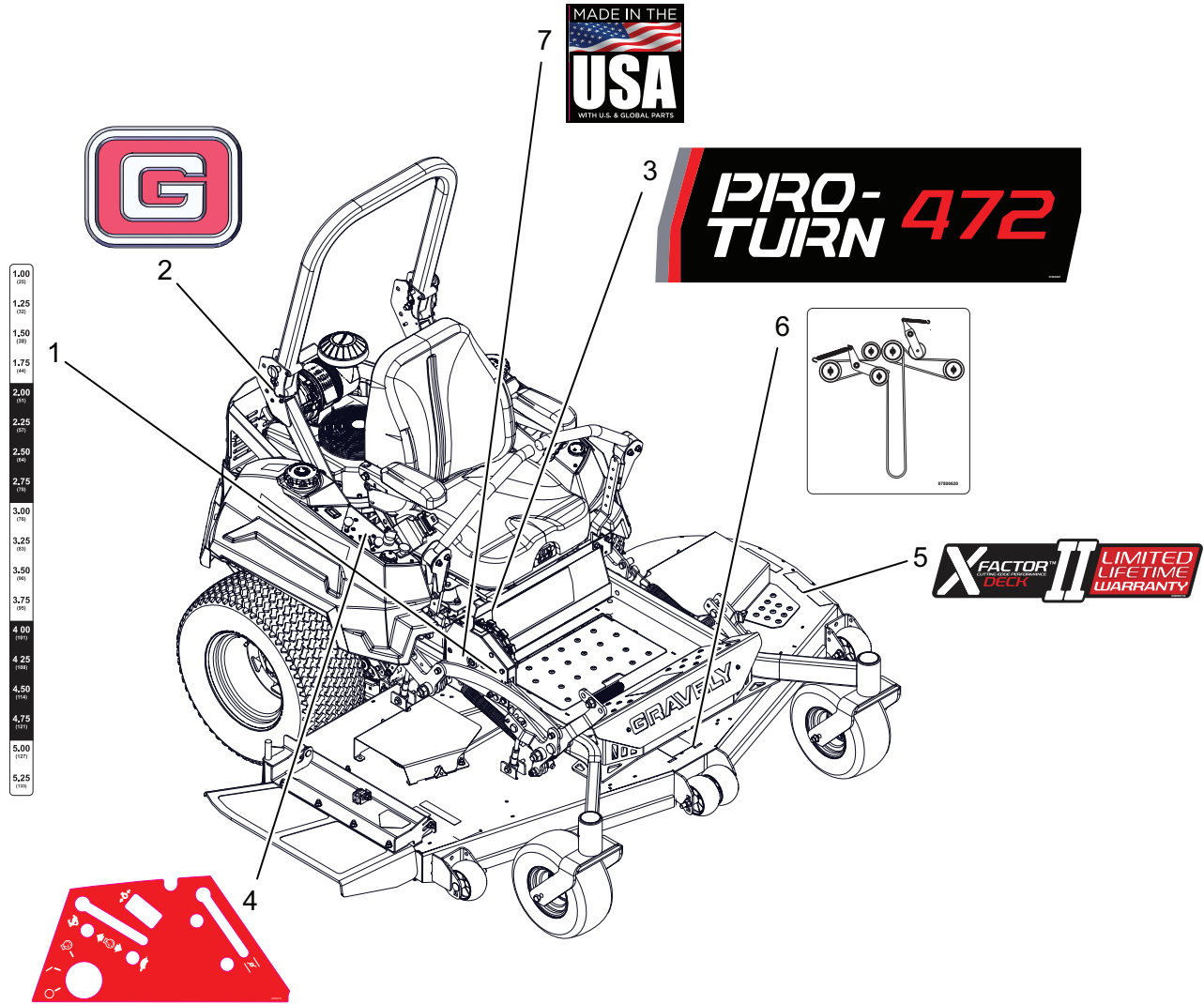
Models 992278, 283



BOM ID	Number	Qty	Description
1	04415200	1	DECAL, PT400 HEIGHT OF CUT
2	07800534	1	DECAL, GRAVELY BRAND
3	07800608	1	DECAL, PRO-TURN 460
4	07800611	1	DECAL, EFI CONTROL PANEL
5	07800617	1	DECAL, X-FACTOR DECK
6	07800620	1	DECAL, BELT ROUTE RH BK SIDE IDLER
7	08001038	1	DECAL, MADE IN USA

DECALS – STYLE – NON-EFI – 72"

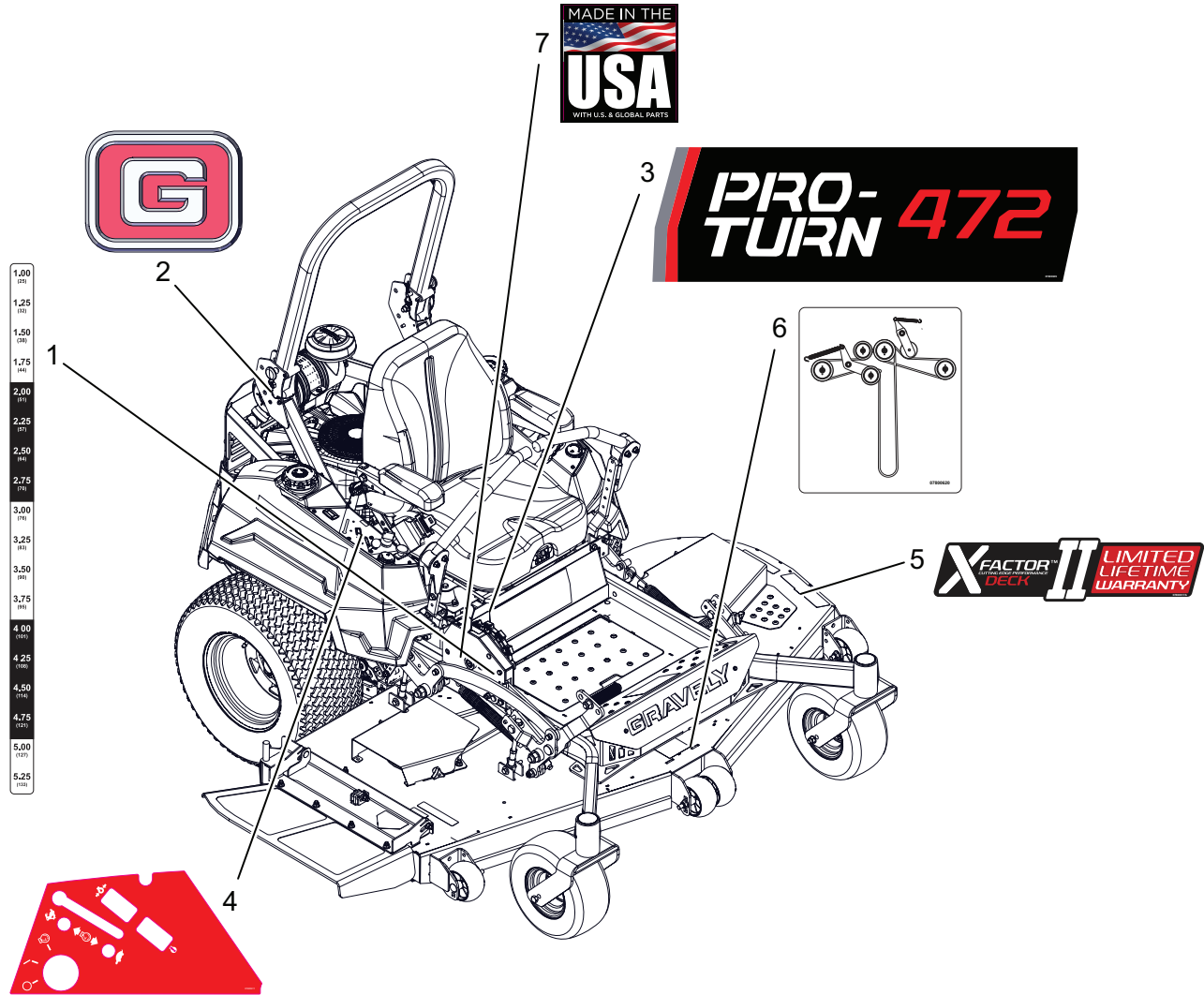
Model 992276



BOM ID	Number	Qty	Description
1	04415200	1	DECAL, PT400 HEIGHT OF CUT
2	07800534	1	DECAL, GRAVELY BRAND
3	07800609	1	DECAL, PRO-TURN 472
4	07800610	1	DECAL, NON-EFI CONTROL PANEL
5	07800617	1	DECAL, X-FACTOR DECK
6	07800620	1	DECAL, BELT ROUTE RH BK SIDE IDLER
7	08001038	1	DECAL, MADE IN USA

DECALS – STYLE – EFI – 72"

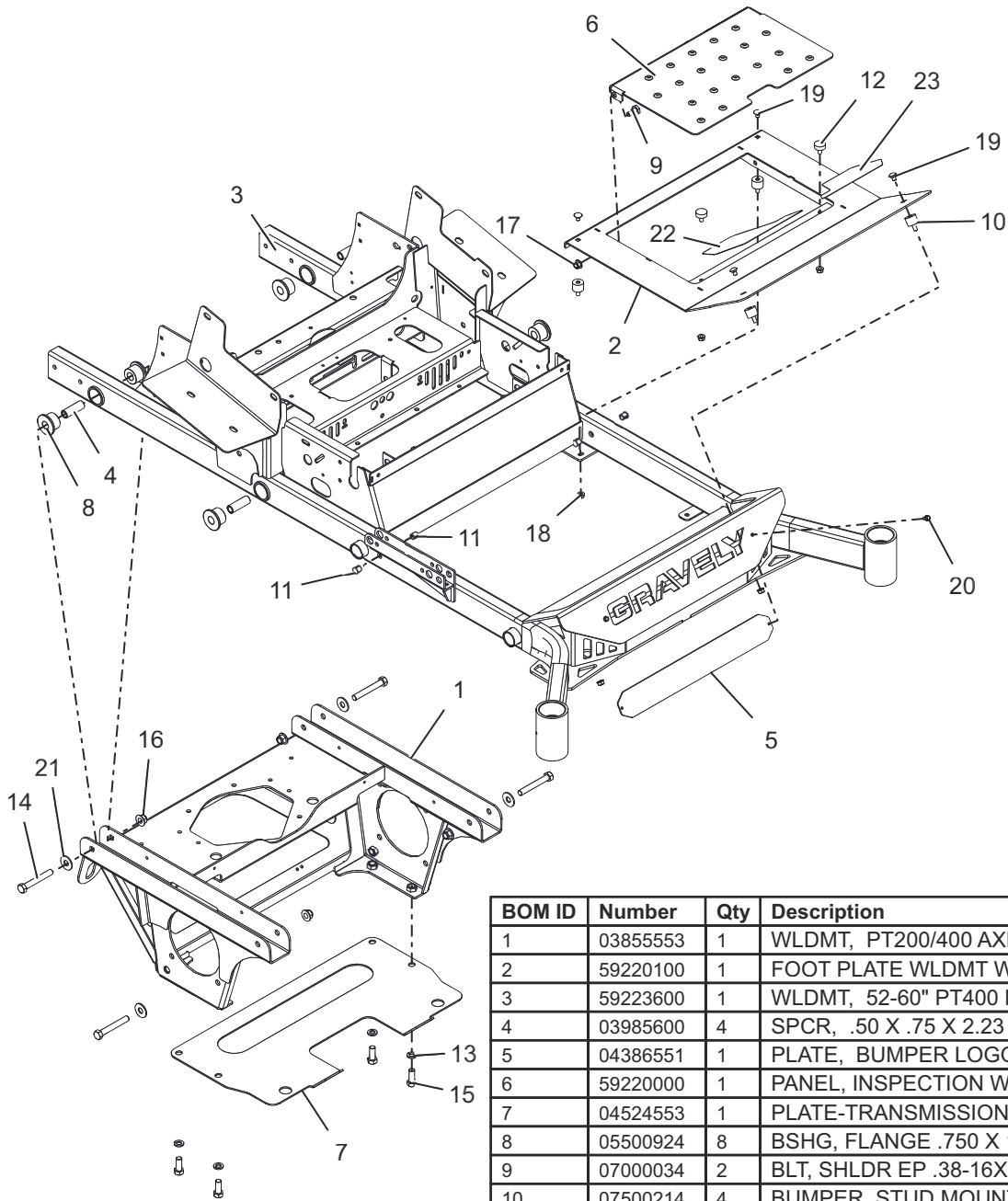
Models 992284



BOM ID	Number	Qty	Description
1	04415200	1	DECAL, PT400 HEIGHT OF CUT
2	07800534	1	DECAL, GRAVELY BRAND
3	07800609	1	DECAL, PRO-TURN 472
4	07800611	1	DECAL, EFI CONTROL PANEL
5	07800617	1	DECAL, X-FACTOR DECK
6	07800620	1	DECAL, BELT ROUTE RH BK SIDE IDLER
7	08001038	1	DECAL, MADE IN USA

FRAME – 52" AND 60"

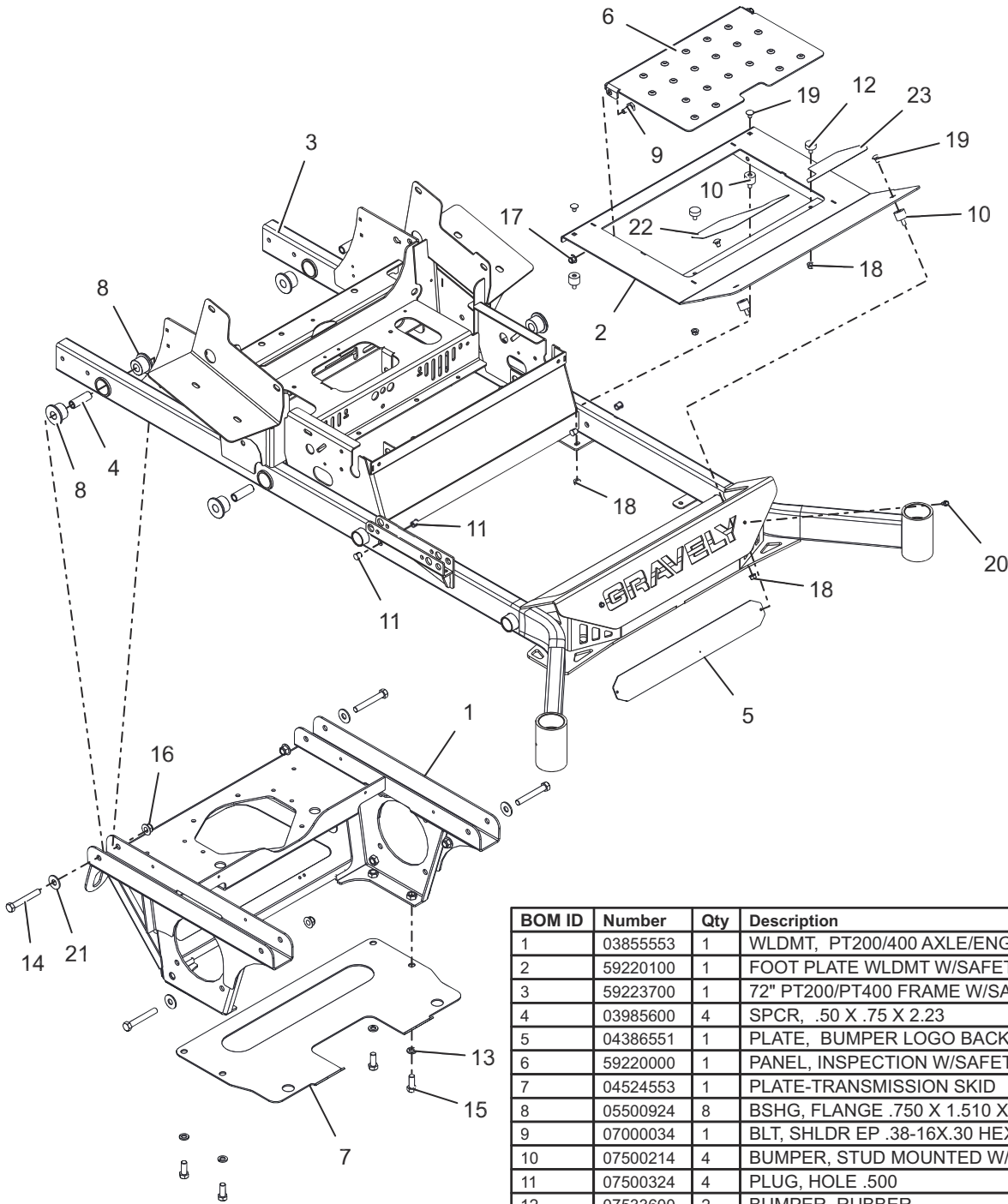
Models 992273, 275, 278, 282, 283



BOM ID	Number	Qty	Description
1	03855553	1	WLDMT, PT200/400 AXLE/ENG FRAME
2	59220100	1	FOOT PLATE WLDMT W/SAFETY DECAL
3	59223600	1	WLDMT, 52-60" PT400 MAIN FRAME-RED
4	03985600	4	SPCR, .50 X .75 X 2.23
5	04386551	1	PLATE, BUMPER LOGO BACKING-BLACK
6	59220000	1	PANEL, INSPECTION W/SAFETY DECAL
7	04524553	1	PLATE-TRANSMISSION SKID
8	05500924	8	BSHG, FLANGE .750 X 1.510 X 1.130 X 2.000
9	07000034	2	BLT, SHLDR EP .38-16X.30 HEX
10	07500214	4	BUMPER, STUD MOUNTED W/FEMALE INSERT
11	07500324	4	PLUG, HOLE .500
12	07533600	2	BUMPER, RUBBER
13	06300115	4	WSHR,LK-REG 0.502 X 0.125 ZCC
14	05901937	4	BLT, HEX 0.5-13X3.5 GR5 ZCC
15	05901637	4	BLT, HEX 0.5-13X1.25 GR5 ZC120
16	06500810	4	NUT, LK-NYL-FLG .50-13 GR5 ZC120
17	06500726	2	NUT, LK-NYL-FLG .38-16 GR5 ZC120
18	06500815	6	NUT, FLG-SPNLK .312-18 GR5 ZC120
19	06200406	4	BTL,RHSN .313-18 X 0.5 G5 ZCC
20	07400122	2	SCR-TAP .25-20X.50 HWH ZCC
21	06401012	4	WSHR-FL-STL 0.563X1.375X0.109 ZC120
22	05286600	1	GRIP, RH FOOT PLATE
23	05286700	1	GRIP, LH FOOT PLATE

FRAME - 72"

Models 992276, 284

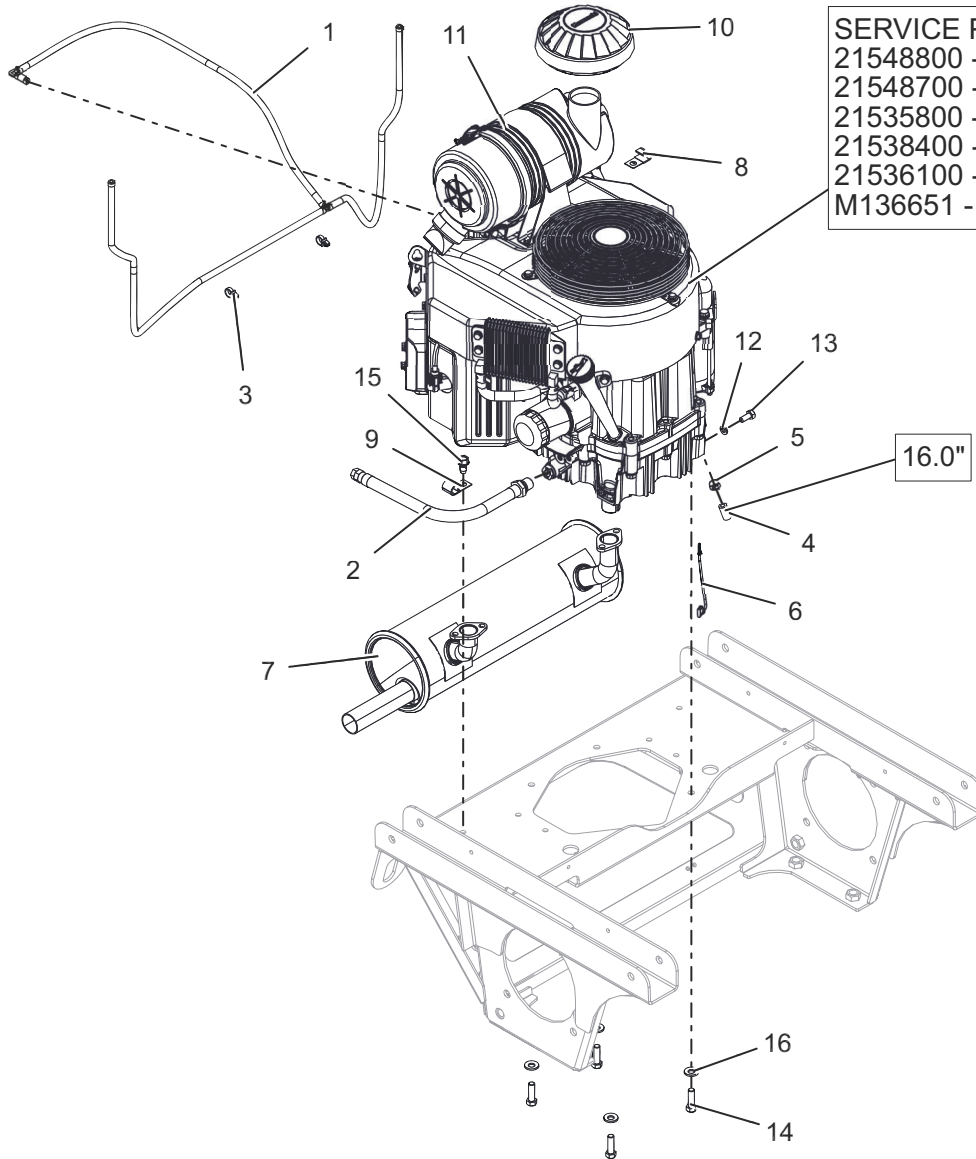


BOM ID	Number	Qty	Description
1	03855553	1	WLDMT, PT200/400 AXLE/ENG FRAME
2	59220100	1	FOOT PLATE WLDMT W/SAFETY DECAL
3	59223700	1	72" PT200/PT400 FRAME W/SAFETY DECALS
4	03985600	4	SPCR, .50 X .75 X 2.23
5	04386551	1	PLATE, BUMPER LOGO BACKING-BLACK
6	59220000	1	PANEL, INSPECTION W/SAFETY DECAL
7	04524553	1	PLATE-TRANSMISSION SKID
8	05500924	8	BSHG, FLANGE .750 X 1.510 X 1.130 X 2.000
9	07000034	1	BLT, SHLDR EP .38-16X.30 HEX
10	07500214	4	BUMPER, STUD MOUNTED W/FEMALE INSERT
11	07500324	4	PLUG, HOLE .500
12	07533600	2	BUMPER, RUBBER
13	06300115	4	WSHR,LK-REG 0.502 X 0.125 ZCC
14	05901937	4	BLT, HEX 0.5-13X3.5 GR5 ZCC
15	05901637	4	BLT, HEX 0.5-13X1.25 GR5 ZC120
16	06500810	4	NUT, LK-NYL-FLG .50-13 GR5 ZC120
17	06500726	2	NUT, LK-NYL-FLG .38-16 GR5 ZC120
18	06500815	6	NUT, FLG-SPNLK .312-18 GR5 ZC120
19	06200406	4	BTL,RHSN .313-18 X 0.5 G5 ZCC
20	07400122	2	SCR-TAP .25-20X.50 HWH ZCC
21	06401012	4	WSHR-FL-STL 0.563X1.375X0.109 ZC120
22	05286600	1	GRIP, RH FOOT PLATE
23	05286700	1	GRIP, LH FOOT PLATE

ENGINE – KAWASAKI FX850

Model 992273

SERVICE PARTS:
 21548800 - AIR FILTER OUTER
 21548700 - AIR FILTER INNER
 21535800 - OIL FILTER
 21538400 - FUEL FILTER
 21536100 - SPARK PLUG (QTY 2 REQ)
 M136651 - MUFFLER GASKET (QTY 2 REQ)

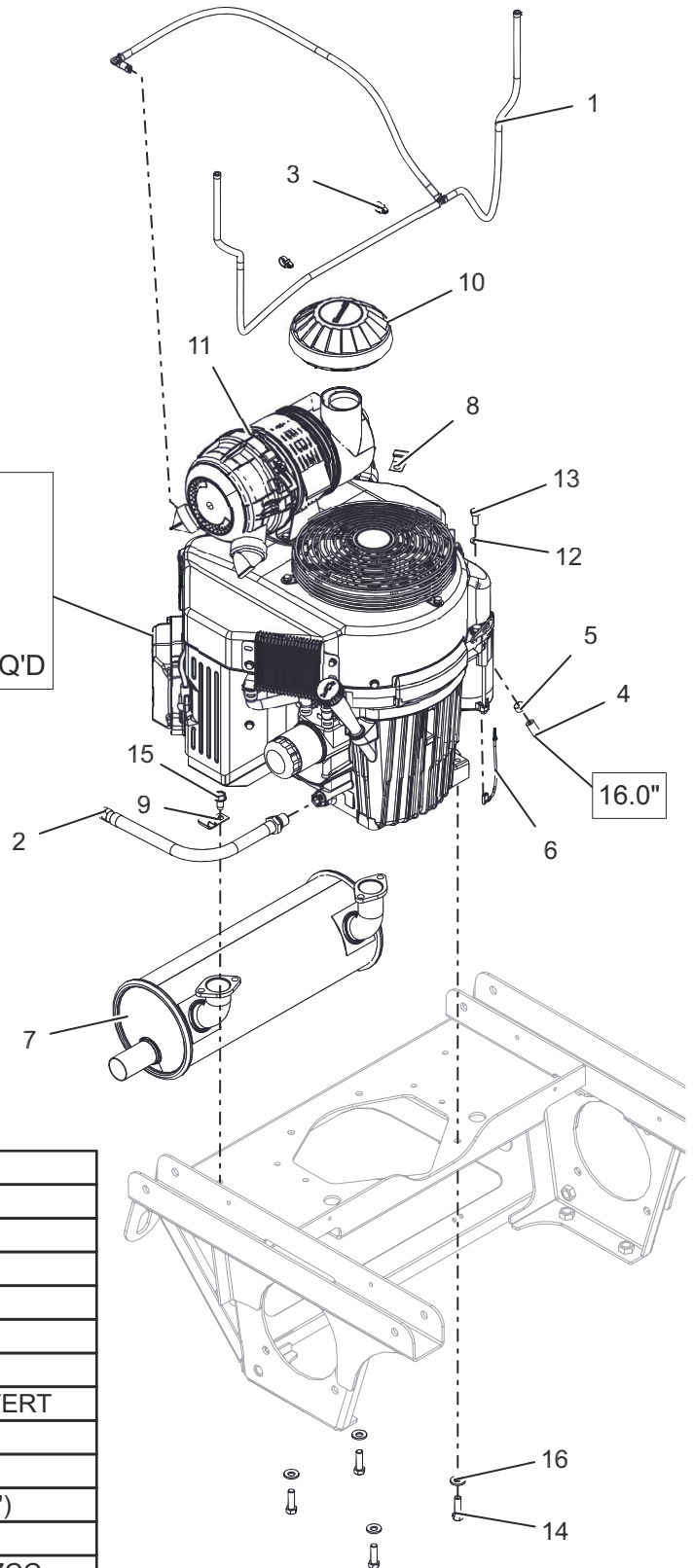


BOM ID	Number	Qty	Description
1	04981600	1	ASM, VAPOR LINE
2	07001731	1	HOSE, OIL DRAIN
3	00367900	2	CLIP, ROUTING (.50 ID)
4	03278100	1	.25 LOW-PERM GAS HOSE
5	03278800	1	CLAMP, FUEL LINE
6	03286700	1	LEAD, STARTER
7	03911000	1	MUFFLER, 27-31 FX KAW
8	06909400	1	CLAMP, J
9	06916000	1	J-CLAMP
10	09408700	1	CAP, AIR CLEANER INTAKE (2")
11	08200724	1	ENGINE, KAWASAKI FX850
12	06300119	1	WSHR,LK-REG 0.314 X 0.078 ZCC
13	05901628	1	BLT,HEX M8-1.25X20 G8.8 ZC120
14	05901808	4	BLT, HEX 0.375-16X1.25 GR5 ZCC NT
15	07400129	1	SCR-TAP .38-16X.75 HWH ZCC
16	06400927	4	WSHR, 3/8" SPRING DISC

ENGINE – KAWASAKI FX1000V

Models 992275, 276

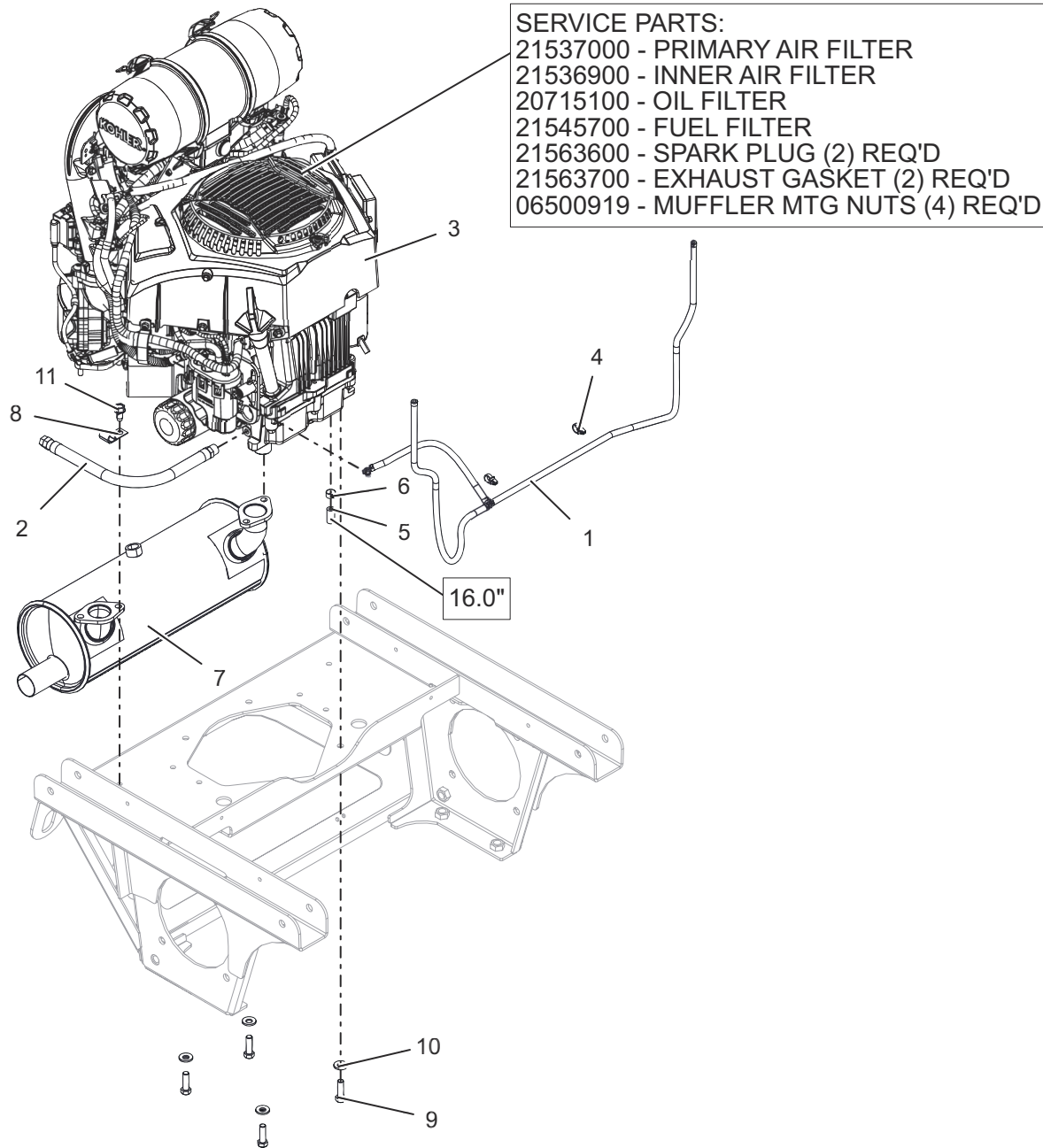
SERVICE PARTS:
 21548800 - AIR FILTER OUTER
 21548700 - AIR FILTER INNER
 21535800 - OIL FILTER
 21538400 - FUEL FILTER
 21536100 - SPARK PLUG (2) REQ'D
 21550337 - EXHAUST GASKET (2) REQ'D



BOM ID	Number	Qty	Description
1	04981600	1	ASM, VAPOR LINE
2	07001731	1	HOSE, OIL DRAIN
3	00367900	2	CLIP, ROUTING (.50 ID)
4	03278100	1	.25 LOW-PERM GAS HOSE
5	03278800	1	CLAMP, FUEL LINE
6	03286700	1	LEAD, STARTER
7	04263000	1	MUFFLER, 34HP KAWASAKI VERT
8	06909400	1	CLAMP, J
9	06916000	1	J-CLAMP
10	09408700	1	CAP, AIR CLEANER INTAKE (2")
11	08201002	1	ENGINE, KAWASAKI
12	06300119	1	WSHR,LK-REG 0.314 X 0.078 ZCC
13	05901628	1	BLT,HEX M8-1.25X20 G8.8 ZC120
14	05901808	4	BLT, HEX 0.375-16X1.25 GR5 ZCC NT
15	07400129	1	SCR-TAP .38-16X.75 HWH ZCC
16	06400927	4	WSHR, 3/8" SPRING DISC

ENGINE – KOHLER EFI ECV880

Model 992278



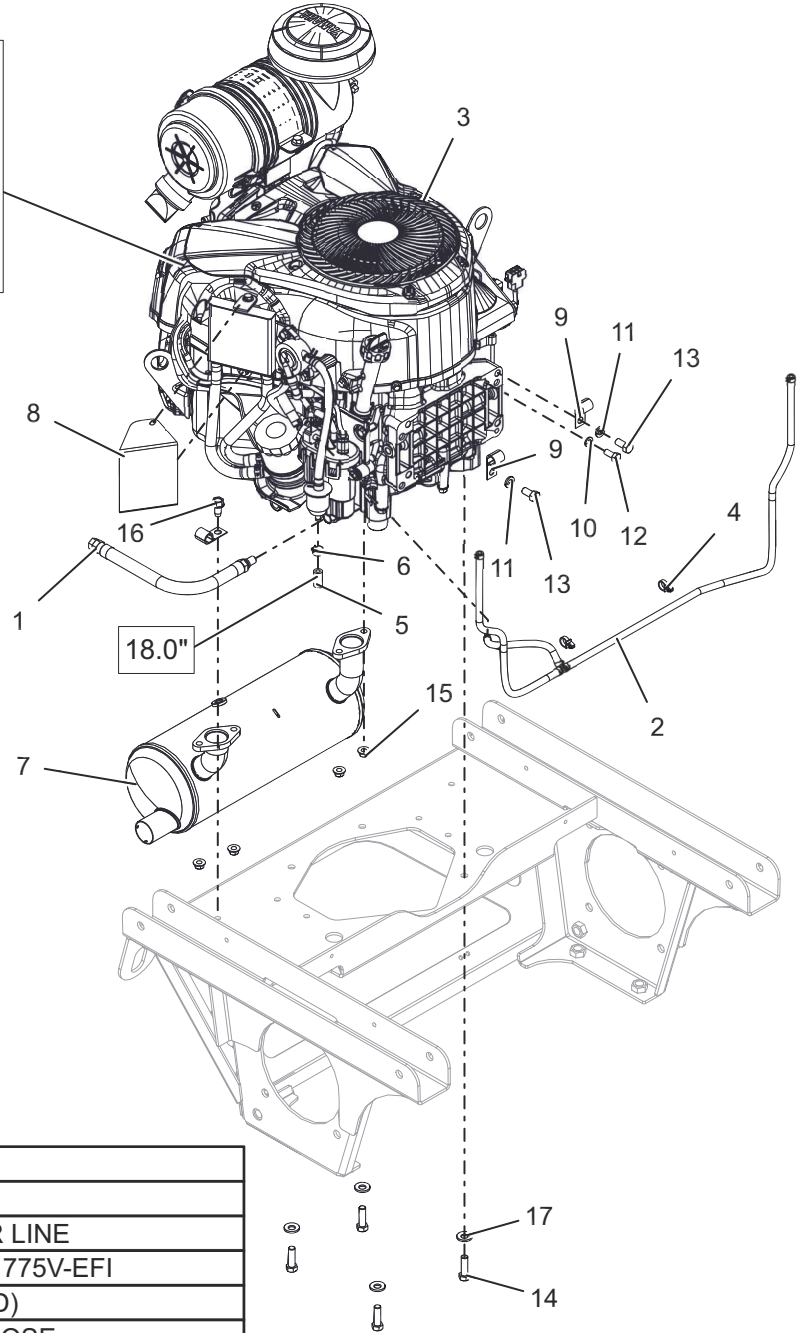
BOM ID	Number	Qty	Description
1	04981500	1	ASM, KOHLER EFI VAPOR LINE
2	05155100	1	HOSE, OIL DRAIN
3	08201034	1	ENGINE, KOHLER
4	00367900	2	CLIP, ROUTING (.50 ID)
5	03278100	1	.25 LOW-PERM GAS HOSE
6	03278800	1	CLAMP, FUEL LINE
7	04786000	1	MUFFLER, KOHLER EFI
8	06916000	1	J-CLAMP
9	05901808	4	BLT, HEX 0.375-16X1.25 GR5 ZCC NT
10	06400927	4	WSHR, 3/8" SPRING DISC
11	07400129	1	SCR-TAP .38-16X.75 HWH ZCC

ENGINE – YAMAHA EFI MX775V

Models 992282

SERVICE PARTS:

- 21563300 - AIR FILTER (OUTER)
- 21563195 - AIR FILTER (INNER)
- 21563100 - OIL FILTER
- 21563200 - FUEL FILTER
- 21547400 - SPARK PLUG (2) REQ'D
- 21563400 – EXHAUST GASKET (2) REQ'D
- 21550336 -- DIAGNOSTIC TOOL



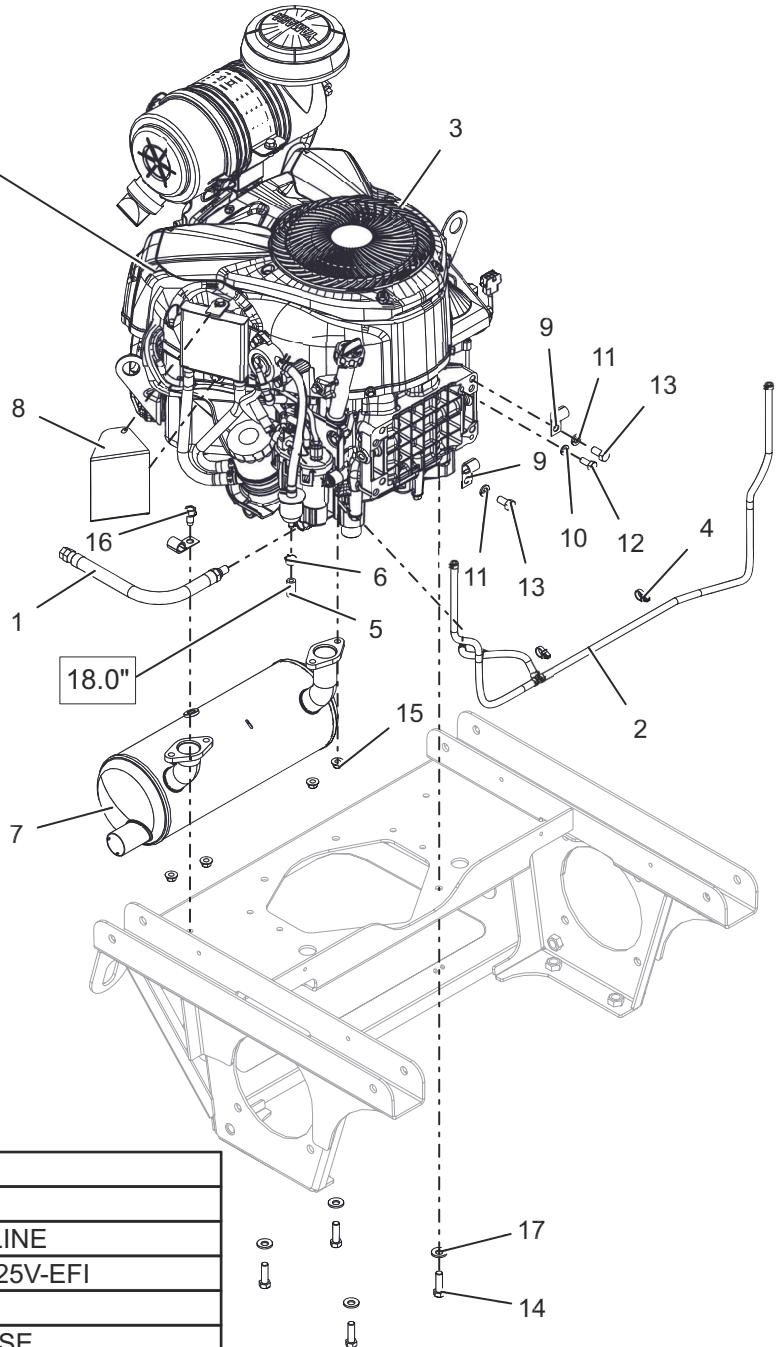
BOM ID	Number	Qty	Description
1	05088200	1	HOSE, OIL
2	05105000	1	ASM, YAMAHA VAPOR LINE
3	08201219	1	ENGINE, YAMAHA MX 775V-EFI
4	00367900	2	CLIP, ROUTING (.50 ID)
5	03278100	1	.25 LOW-PERM GAS HOSE
6	03278800	1	CLAMP, FUEL LINE
7	05016500	1	MUFFLER, YAMAHA EFI
8	05167500	1	DEFLECTOR, YAMAHA OIL COOLER AIR
9	06916000	3	J-CLAMP
10	06300119	1	WSHR,LK-REG 0.314 X 0.078 ZCC
11	06300116	2	WSHR,LK-REG 0.377 X 0.094 ZCC
12	05901704	1	BLT, HEX 0.3125-18X0.75 GR5 ZC120
13	05901702	2	BLT, HEX 0.375-16X0.75 GR5 ZC120
14	05901808	4	BLT, HEX 0.375-16X1.25 GR5 ZCC NT
15	06500919	4	NUT, FLG-TOP LK M8-1.25 ZCC
16	07400129	1	SCR-TAP .38-16X.75 HWH ZCC
17	06400927	4	WSHR, 3/8" SPRING DISC

ENGINE – YAMAHA EFI MX825V

Models 992283, 284

SERVICE PARTS:

- 21563300 - AIR FILTER (OUTER)
- 21563195 - AIR FILTER (INNER)
- 21563100 - OIL FILTER
- 21563200 - FUEL FILTER
- 21547400 - SPARK PLUG (2) REQ'D
- 21563400 – EXHAUST GASKET (2) REQ'D
- 21550336 -- DIAGNOSTIC TOOL



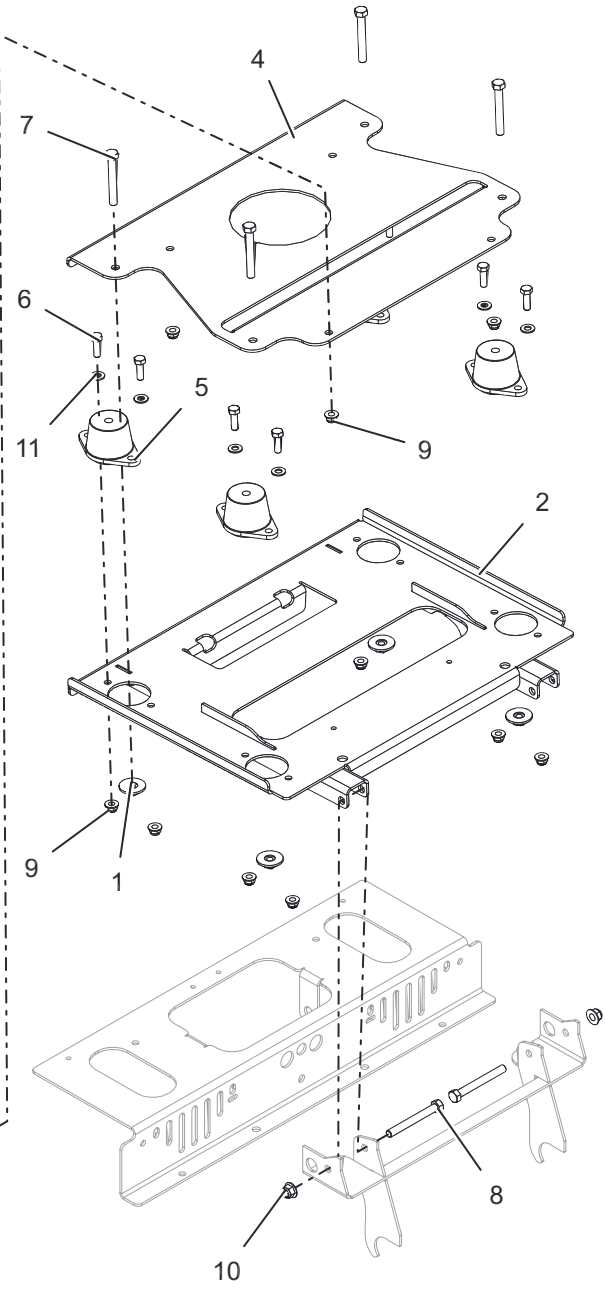
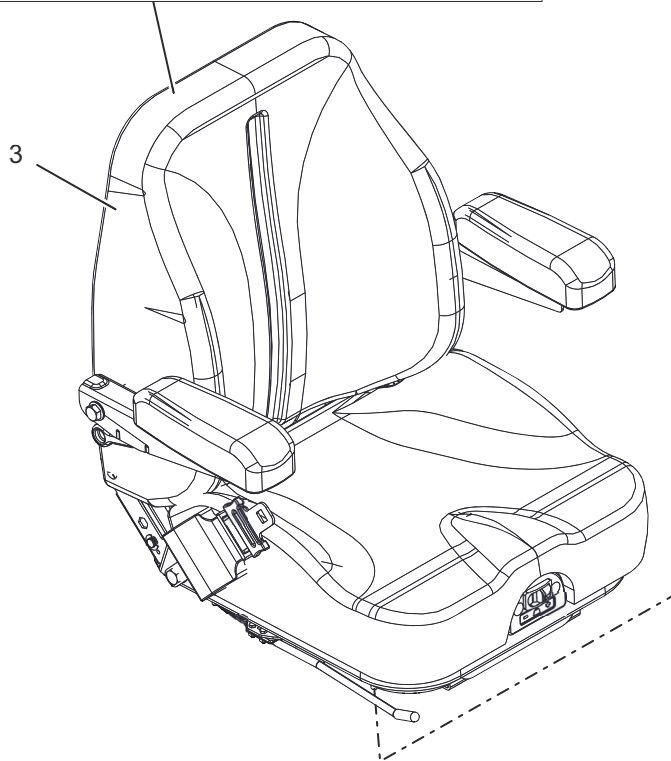
BOM ID	Number	Qty	Description
1	05088200	1	HOSE, OIL
2	05105000	1	ASM, YAMAHA VAPOR LINE
3	08201220	1	ENGINE, YAMAHA MX 825V-EFI
4	00367900	2	CLIP, ROUTING (.50 ID)
5	03278100	1	.25 LOW-PERM GAS HOSE
6	03278800	1	CLAMP, FUEL LINE
7	05016500	1	MUFFLER, YAMAHA EFI
8	05167500	1	DEFLECTOR, YAMAHA OIL COOLER AIR
9	06916000	3	J-CLAMP
10	06300119	1	WSHR,LK-REG 0.314 X 0.078 ZCC
11	06300116	2	WSHR,LK-REG 0.377 X 0.094 ZCC
12	05901704	1	BLT, HEX 0.3125-18X0.75 GR5 ZC120
13	05901702	2	BLT, HEX 0.375-16X0.75 GR5 ZC120
14	05901808	4	BLT, HEX 0.375-16X1.25 GR5 ZCC NT
15	06500919	4	NUT, FLG-TOP LK M8-1.25 ZCC
16	07400129	1	SCR-TAP .38-16X.75 HWH ZCC
17	06400927	4	WSHR, 3/8" SPRING DISC

SEAT

Models All

SERVICE PARTS:

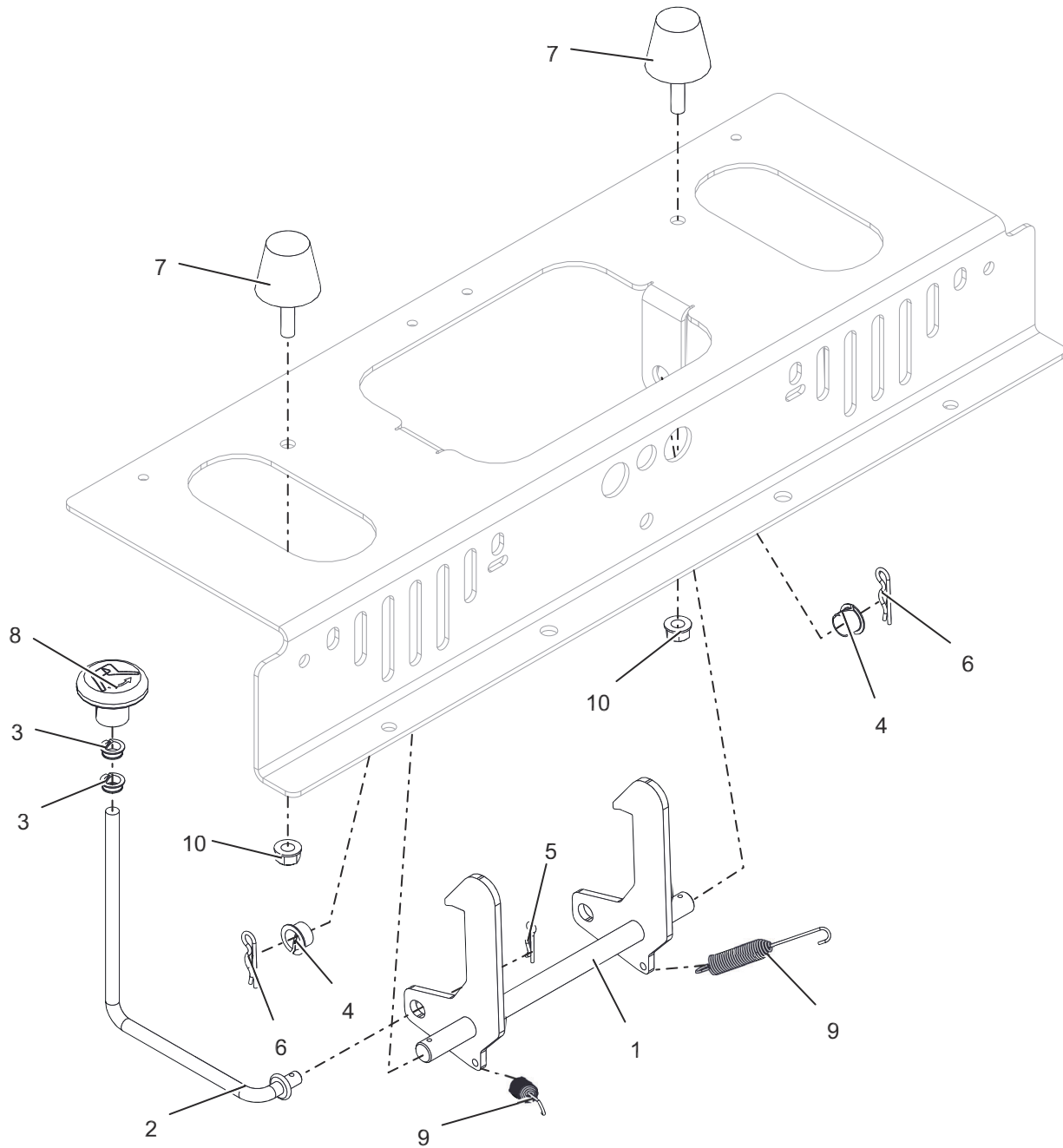
- 21558900 - SEAT BACK COVER
- 21559000 - SEAT CUSHION COVER
- 21557900 - SEAT BELT KIT
- 21559500 - RH ARMREST PAD
- 21559600 - RH ARMREST ASM
- 21559700 - LH ARMREST PAD
- 21559800 - LH ARM REST ASM
- 21559900 - RH & LH ARMREST ASM SET
- 21558300 - SEAT ADJUSTMENT TRACK SET
- 21558400 - LOW PROFILE RECLINER KNOB KIT
- 21558500 - BELLOWS KIT
- 21558600 - WEIGHT ADJUSTMENT KNOB KIT
- 21558700 - LUMBAR LEVER KIT
- 21559100 - AIR COMPRESSOR
- 21559200 - AIR VALVE KIT
- 21559300 - AIR SPRING KIT
- 21559400 - WIRE HARNESS
- 02754100 - SEAT SWITCH



BOM ID	Number	Qty	Description
1	04443000	4	WLDMT, SEAT RETAINER
2	59223800	1	SEAT, ISO MTG WMT W/SAFETY DECAL
3	04875900	1	SEAT, AIR SUSPENSION
4	05197353	1	PLATE, SEAT MOUNTING (RED)
5	07500415	4	MOUNT, ISOLATOR
6	05901701	8	BLT, HEX 0.3125-18X1 GR5 ZC120
7	05901611	4	BLT, HEX 0.375-16X2.75 GR5 ZC120
8	05901817	2	BLT, HEX 0.375-16X3.25 GR5 ZCC
9	06500809	12	NUT, LK-NYL-FLG .31-18 GR5 ZC120
10	06500726	2	NUT, LK-NYL-FLG .38-16 GR5 ZC120
11	06401017	8	WSHR-FL-STL 0.344X0.688X0.065 ZC120

SEAT LATCH

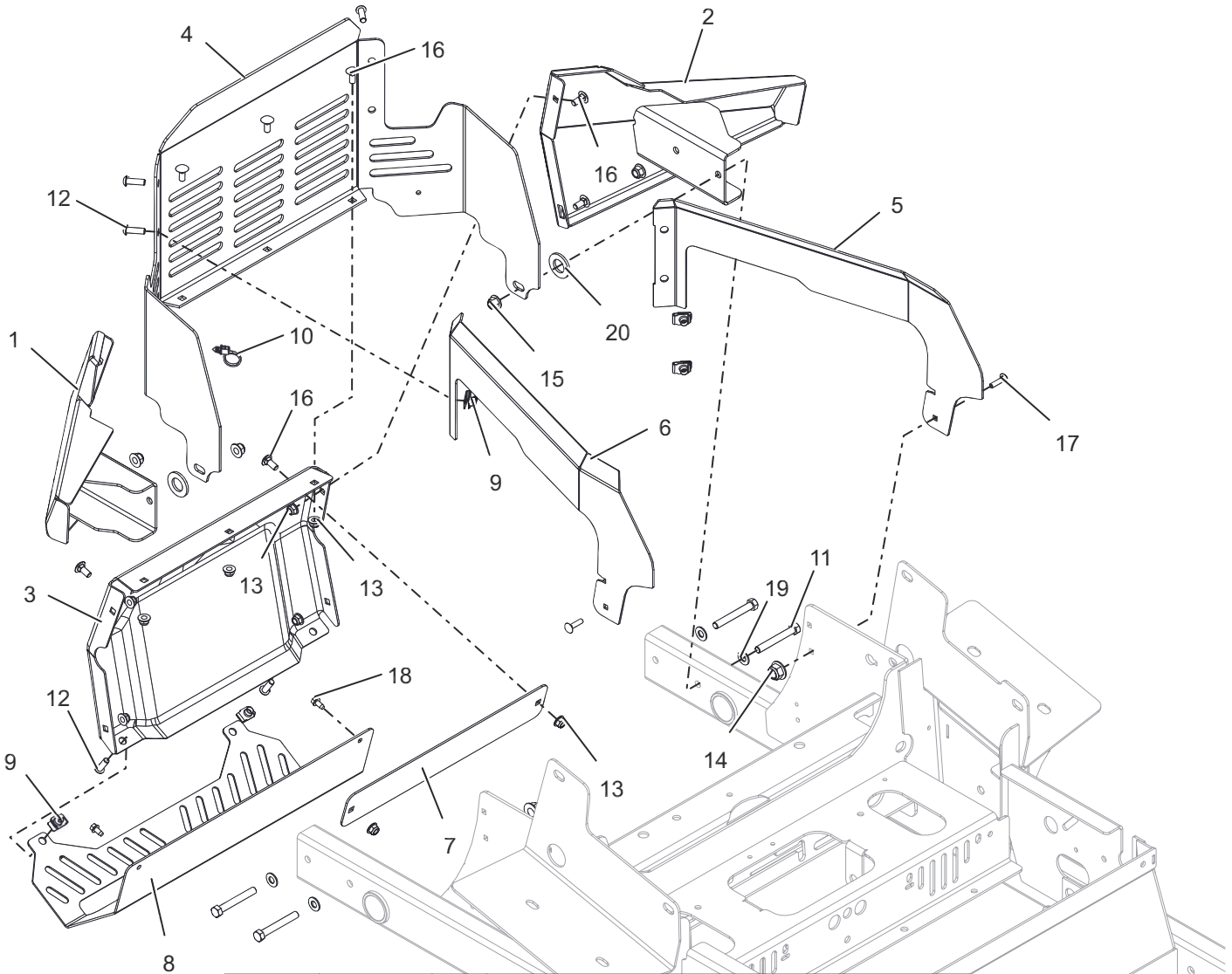
Models All



BOM ID	Number	Qty	Description
1	04883667	1	WLDMT, SEAT LATCH (BLACK)
2	04883500	1	LINKAGE, SEAT RELEASE
3	05500020	2	BSHG, POLYLINER-.38 SNAPIN
4	05500026	2	BUSHING, POLYLINER - .50 SPLIT
5	06700223	1	PIN, HAIR #225 .072X1.09
6	06700224	2	PIN, HAIR-INT .08X.38X1.42 ZCC
7	07500218	2	BUMPER, STUD MOUNTED CONE SHAPED
8	07500406	1	KNOB, PUSH/PULL
9	08321100	2	SPRG, EXTENSION - .043 X .440 X 3.310
10	06500815	2	NUT, FLG-SPNLK .312-18 GR5 ZC120

BUMPER

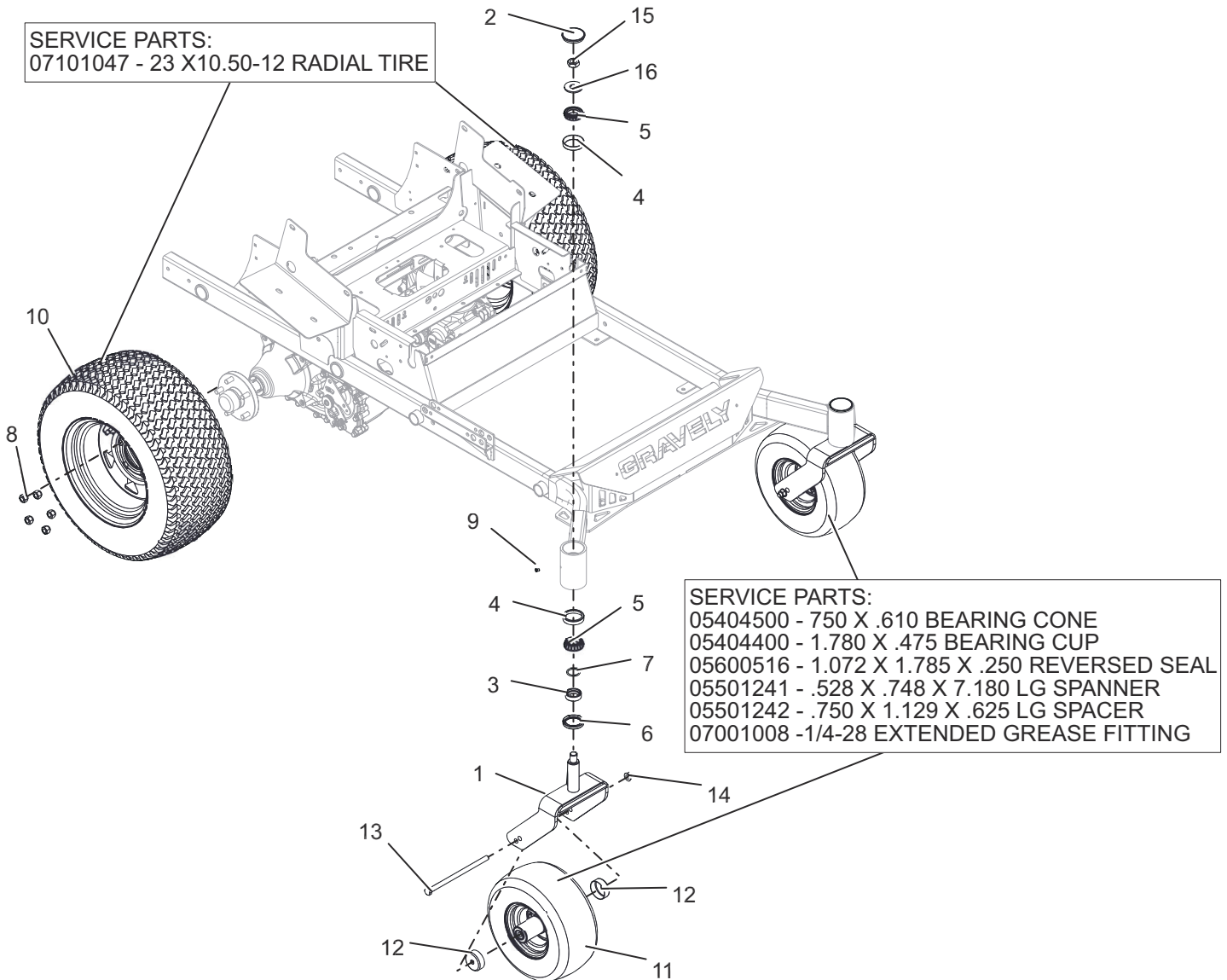
Models All



BOM ID	Number	Qty	Description
1	59225100	1	WLDMT, RIGHT REAR BUMPER WING (BLACK)
2	59225200	1	WLDMT, LEFT REAR BUMPER WING (BLACK)
3	04863451	1	BUMPER, PT200/400 REAR
4	04868651	1	GUARD,
5	04868853	1	TRIM, HOOD STYLE (LEFT) (RED)
6	04894753	1	TRIM, HOOD STYLE (RIGHT) (RED)
7	04894853	1	PLATE, BACKER
8	04895351	1	GUARD, PT200/400 MUFFLER (BLACK)
9	07000829	6	NUT-CLIP RETAINER 5/16-18X.56
10	07500040	1	CABLE, TIE W/TREE (.25 HOLE)
11	05901611	4	BLT, HEX 0.375-16X2.75 GR5 ZC120
12	05901840	6	SCR,BTNHD .31-18X1.00 ZCC
13	06500809	9	NUT, LK-NYL-FLG .31-18 GR5 ZC120
14	06500810	2	NUT, LK-NYL-FLG .50-13 GR5 ZC120
15	06500726	4	NUT, LK-NYL-FLG .38-16 GR5 ZC120
16	06200232	9	BTL,RHSN .313-18 X 0.75 G5 ZCC
17	06200402	2	BTL,RHSN .250-20 X 1 G5 ZCC
18	07400122	2	SCR-TAP .25-20X.50 HWH ZCC
19	06401013	4	WSHR-FL-STL 0.406X0.812X0.065 ZC120
20	06401140	2	WSHR-FL-STL 0.812X1.469X0.134 ZCC

CASTERS AND TIRES – 52"

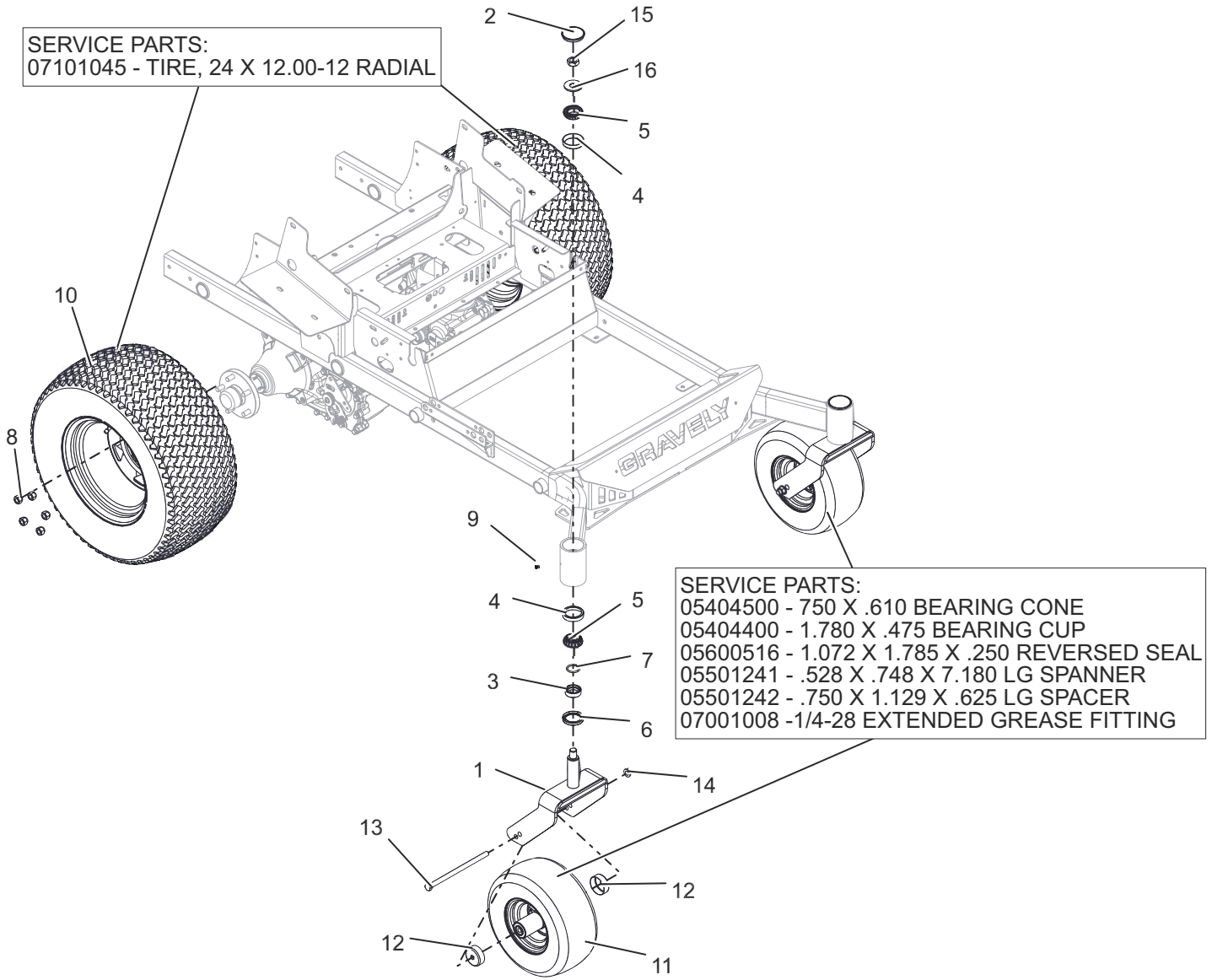
Models 992273, 282



BOM ID	Number	Qty	Description
1	03924453	2	WMT, CASTER FORK - RED
2	03925900	2	CAP, DUST
3	04861500	2	SPCR, FRONT CASTER FORK
4	05404600	4	BRG, CUP 2.328 X .465
5	05404700	4	BRG, CONE 1.250 X .660
6	05600432	2	SEAL, OIL 1.75 X 2.332 X .312
7	05600515	2	O-RING, .139 W X 1.234 ID
8	06500926	10	NUT, WHEEL .500-20 ZCC
9	07001727	2	FITTING, .250-28 FLUSH MOUNT GREASE
10	07101118	2	ASSM TIRE\WHEEL, 23 X 10.50 - 12 RADIAL
11	07101307	2	ASM, TIRE/WHEEL 15 X 6.00-6 SEMI
12	09357800	4	SHIELD, WHEEL BEARING
13	05901930	2	BLT, HEX 0.5-13X9 GR5 ZCC
14	06500907	2	NUT, FLG-TOP LK .500-13 GF ZCC
15	06500933	2	NUT, JAM-TOPLOCK .750-16 ZCC
16	06401201	2	WSHR-FL-STL 0.812X2X0.148 ZCC

CASTERS AND TIRES – 60" AND 72"

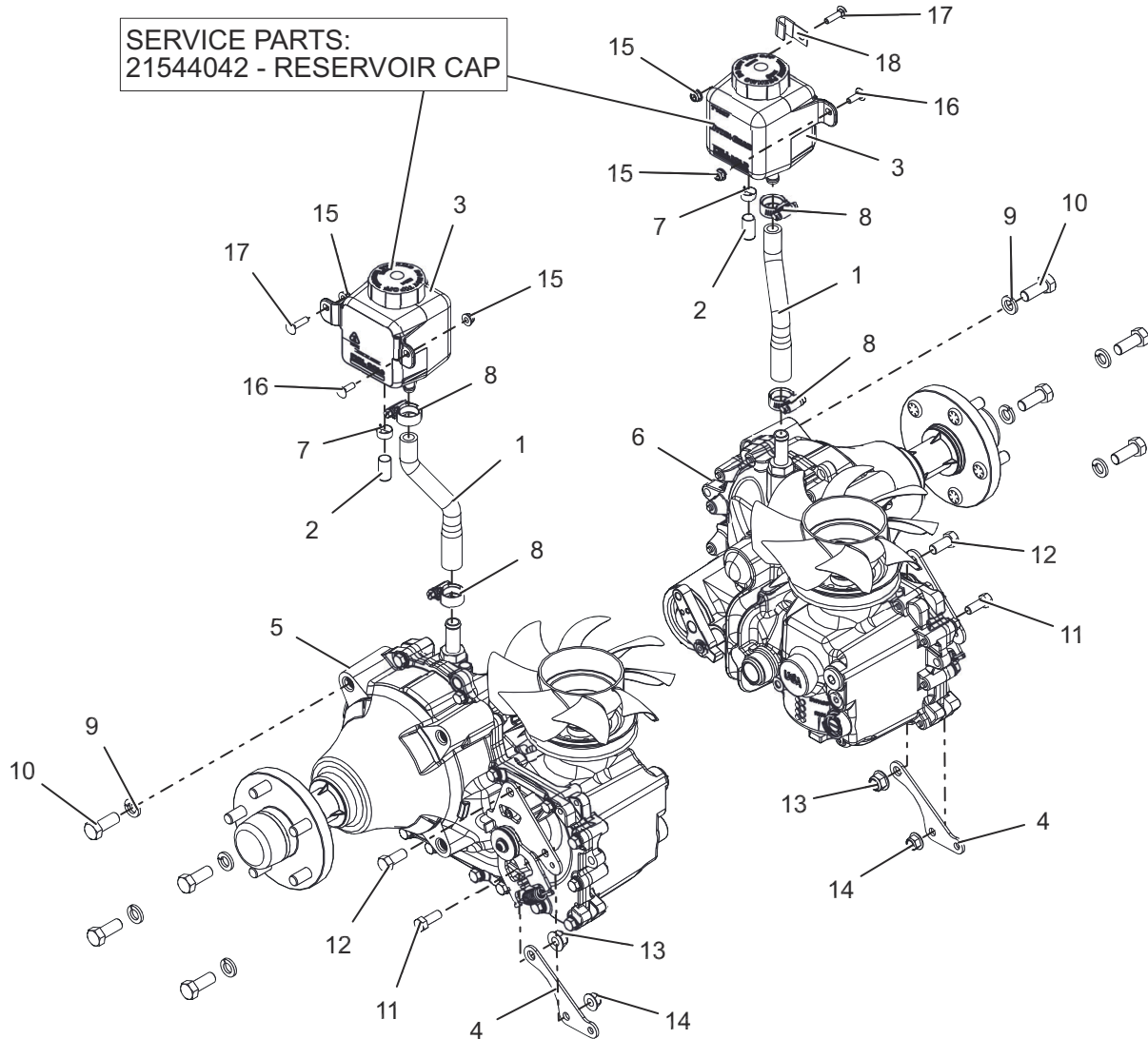
Models 992275, 276, 278, 283, 284



BOM ID	Number	Qty	Description
1	03924453	2	WMT, CASTER FORK - RED
2	03925900	2	CAP, DUST
3	04861500	2	SPCR, FRONT CASTER FORK
4	05404600	4	BRG, CUP 2.328 X .465
5	05404700	4	BRG, CONE 1.250 X .660
6	05600432	2	SEAL, OIL 1.75 X 2.332 X .312
7	05600515	2	O-RING, .139 W X 1.234 ID
8	06500926	10	NUT, WHEEL .500-20 ZCC
9	07001727	2	FITTING, .250-28 FLUSH MOUNT GREASE
10	07101117	2	ASSM TIRE\WHEEL, 24 X 12.00 - 12 RADIAL
11	07101307	2	ASM, TIRE/WHEEL 15 X 6.00-6 SEMI
12	09357800	4	SHIELD, WHEEL BEARING
13	05901930	2	BLT, HEX 0.5-13X9 GR5 ZCC
14	06500907	2	NUT, FLG-TOP LK .500-13 GF ZCC
15	06500933	2	NUT, JAM-TOPLOCK .750-16 ZCC
16	06401201	2	WSHR-FL-STL 0.812X2X0.148 ZCC

TRANSAXLES

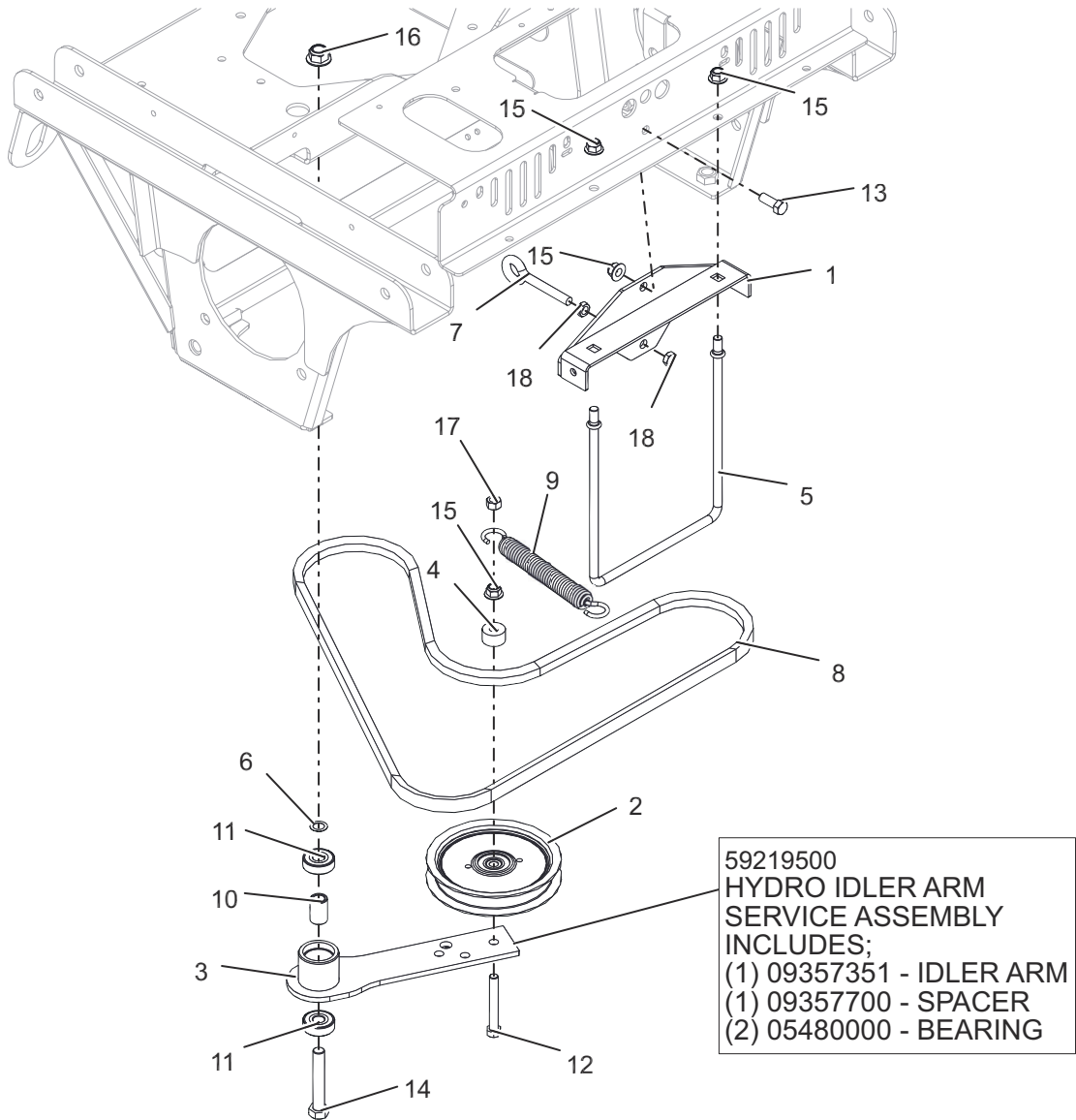
Models All



BOM ID	Number	Qty	Description
1	04879700	2	HOSE, PT200/400 TRANSAXLE OVERFLOW
2	04894200	2	CAP, .50 BARBED FITTING
3	04894600	2	TANK, HYDRO OVERFLOW 700ML
4	04979951	2	BRKT, DRIVE CONTROL LINKAGE MTG - BLK
5	05188100	1	TRANSAXLE, RH HYDROGEAR ZT5400
6	05188200	1	TRANSAXLE, LH HYDROGEAR ZT5400
7	06900635	2	CLAMP, HOSE
8	06923500	4	CLAMP, HOSE - .88 DIA
9	06300115	8	WSHR,LK-REG 0.502 X 0.125 ZCC
10	05901637	8	BLT, HEX 0.5-13X1.25 GR5 ZC120
11	05901711	2	BLT, HEX 0.375-16X1 GR5 ZC120
12	05901913	2	BLT, HEX 0.4375-14X1 GR5 ZCC
13	06500811	2	NUT, LK-NYL-FLG .44-14 GR5 ZC120
14	06500726	2	NUT, LK-NYL-FLG .38-16 GR5 ZC120
15	06500813	4	NUT, LK-NYL-FLG .25-20 GR5 ZC120
16	06200307	2	BTL,RHSN .250-20 X 0.75 G5 ZCC
17	06200402	2	BTL,RHSN .250-20 X 1 G5 ZCC
18	06909400	1	CLAMP, J

TRANSAXLE DRIVE

Models All

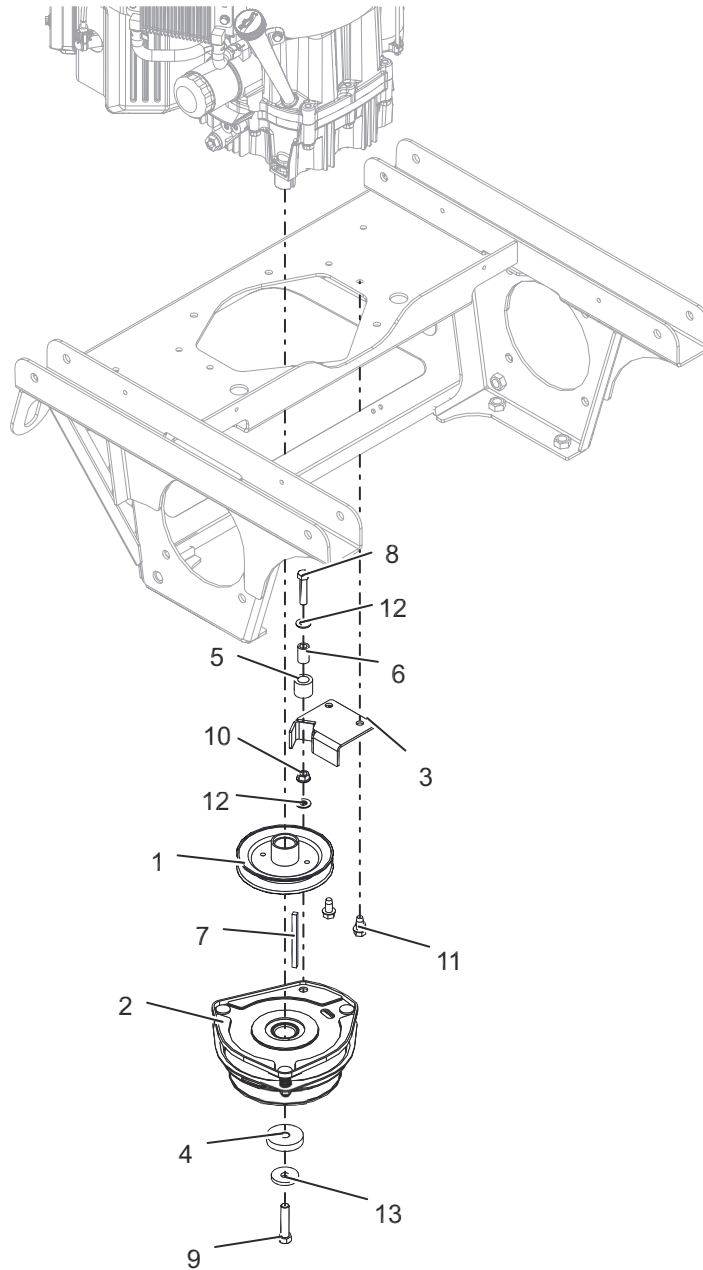


59219500
HYDRO IDLER ARM
SERVICE ASSEMBLY
INCLUDES;
(1) 09357351 - IDLER ARM
(1) 09357700 - SPACER
(2) 05480000 - BEARING

BOM ID	Number	Qty	Description
1	03898551	1	WMT, SPRING ANCHOR BRKT
2	07334500	1	IDLER, FLAT - 5.00" X .75"
3	09357351	1	WLDMT, HYDRO DRIVE IDLER ARM
4	03035100	1	SPACER .390X1.000X.562
5	03975800	1	ROD, BRAKE MTG
6	06400015	1	WASHER-FLAT-STL, .500 X .750 X .020
7	07030000	1	BOLT, EYE .375-16
8	07200515	1	BELT, B RAW COGGED
9	08300507	1	SPRG, EXTENSION - SWIVEL
10	09357700	1	SPACER, .510 X .750 X 1.148
11	05408000	2	BRG-BALL .500X1.375X.44
12	05901611	1	BLT, HEX 0.375-16X2.75 GR5 ZC120
13	05901711	1	BLT, HEX 0.375-16X1 GR5 ZC120
14	05901737	1	BLT, HEX 0.5-13X3 GR5 ZCC
15	06500726	4	NUT, LK-NYL-FLG .38-16 GR5 ZC120
16	06500810	1	NUT, LK-NYL-FLG .50-13 GR5 ZC120
17	06500825	1	NUT, HEX-CTR LK .375-16 GR5 ZCC
18	06500910	2	NUT-JAM .375-16 GR2 ZCC

PTO CLUTCH

Models All

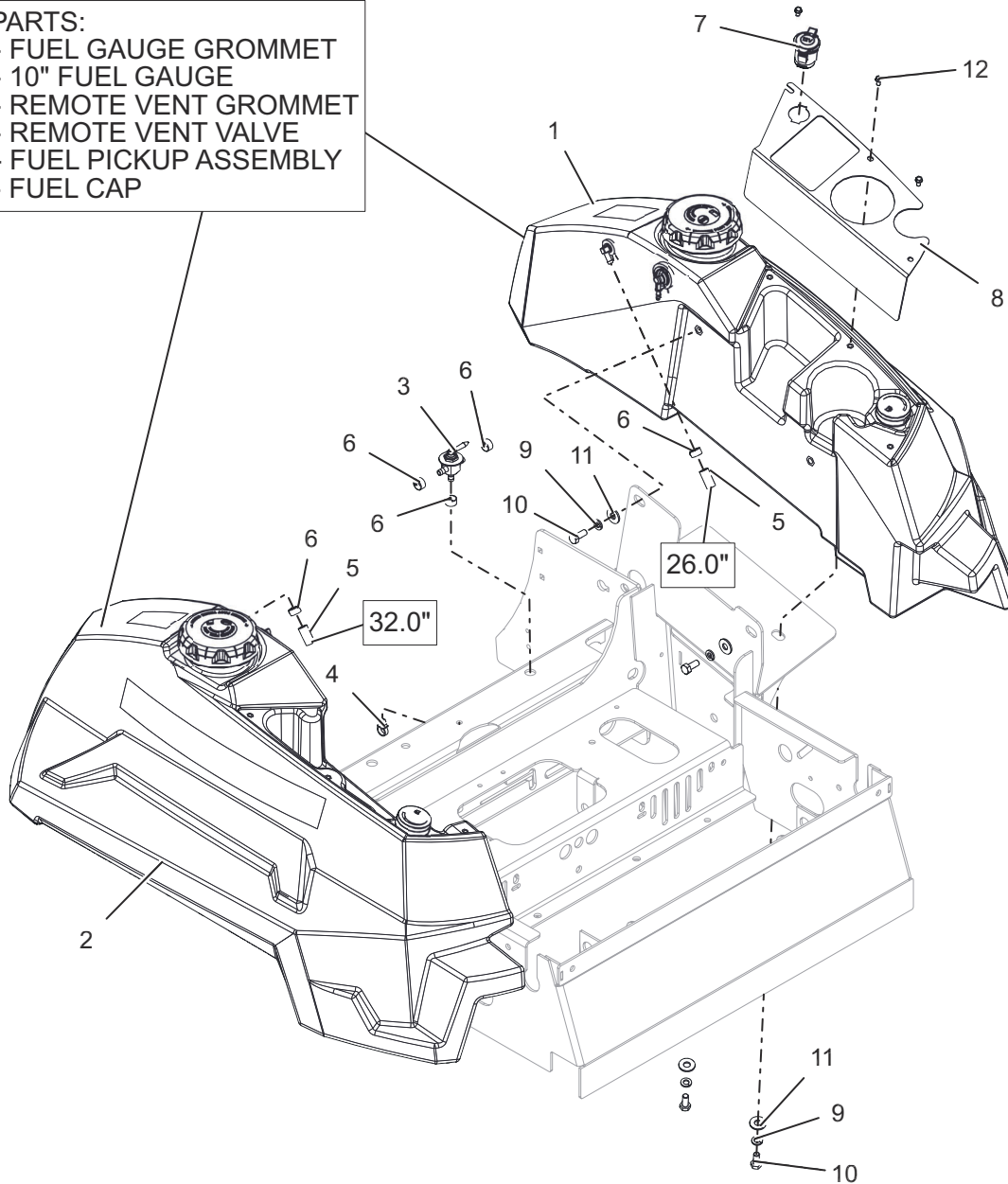


BOM ID	Number	Qty	Description
1	07340967	1	SHEAVE, ENGINE 1.127 ID X 5.250 OD
2	00447100	1	CLUTCH, ELE-OGURA GT3.5-VP01R
3	04788851	1	WLDMT, CLUTCH STOP (BLACK)
4	05501222	1	SPCR, .450 X 2.00 X .396
5	07500007	1	BUMPER, RUBBER .62 X 1.0 X .88 LG
6	08833400	1	BUSH.,S.391X.622X.95 ST REV A
7	06600003	1	KEY-SQ .250X.250X3.50
8	05901809	1	BLT, HEX 0.375-16X1.75 GR5 ZCC
9	05901916	1	BLT, HEX 0.4375-20X2 G8 ZCC NT
10	06500822	1	NUT, FLG-TOP LK .375-16 GRF ZC120
11	07400129	2	SCR-TAP .38-16X.75 HWH ZCC
12	06401013	2	WSHR-FL-STL 0.406X0.812X0.065 ZC120
13	06400936	1	WSHR, 7/16" SPRING DISC

FUEL SYSTEM

Models All

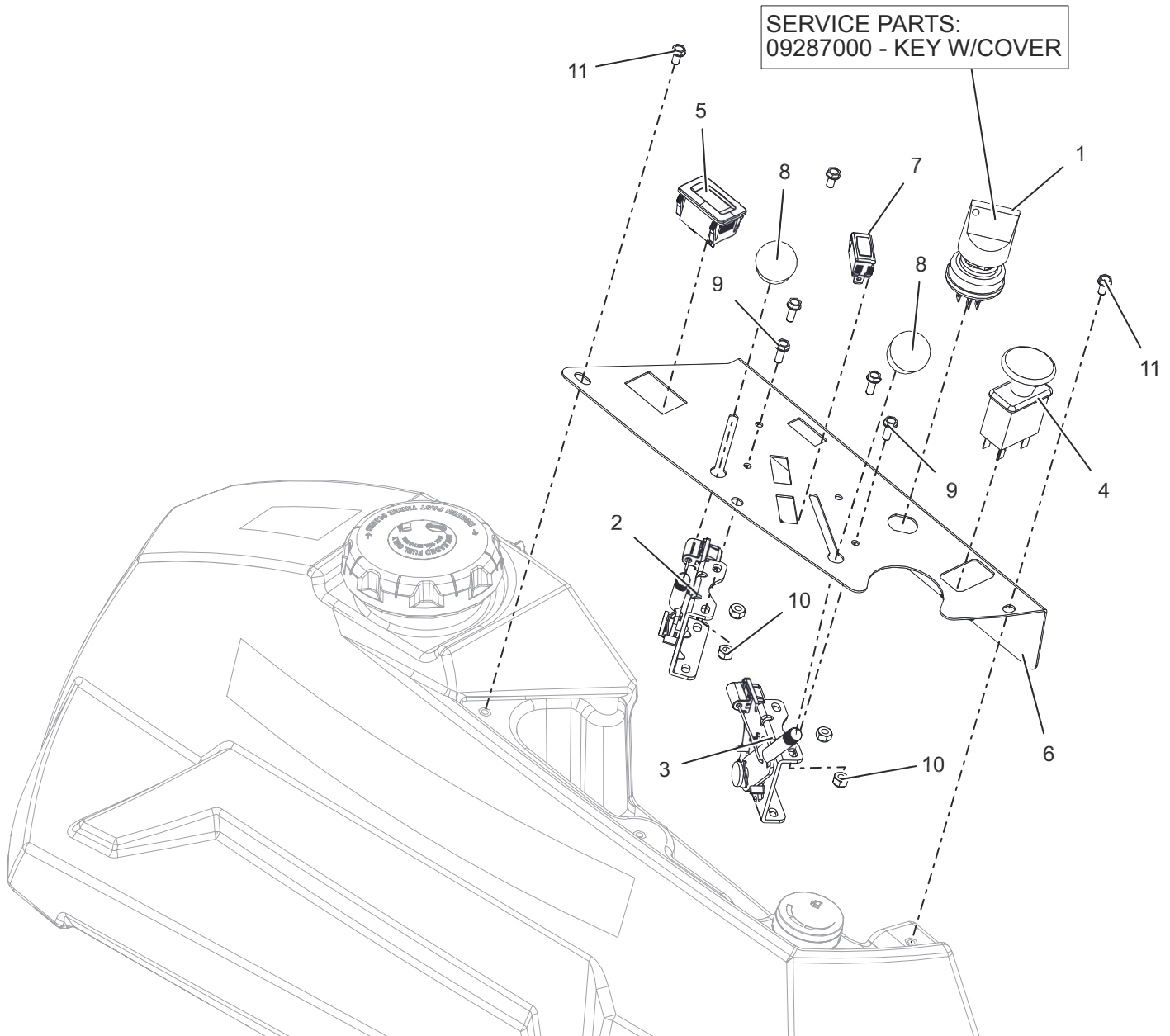
SERVICE PARTS:
 07500221 - FUEL GAUGE GROMMET
 07500309 - 10" FUEL GAUGE
 04082700 - REMOTE VENT GROMMET
 05185600 - REMOTE VENT VALVE
 04875500 - FUEL PICKUP ASSEMBLY
 04558000 - FUEL CAP



BOM ID	Number	Qty	Description
1	04893100	1	ASM, LH FUEL TANK
2	04893200	1	ASM, RH FUEL TANK
3	09233600	1	VALVE, FUEL
4	00367900	1	CLIP, ROUTING (.50 ID)
5	03278100	2	HOSE,
6	03278800	5	CLAMP, FUEL LINE
7	04782900	1	PORT, 12 VOLT POWER
8	04869153	1	PLATE, CUP HOLDER/POCKET (RED)
9	06300119	8	WSHR,LK-REG 0.314 X 0.078 ZCC
10	05901704	8	BLT, HEX 0.3125-18X0.75 GR5 ZC120
11	06401023	8	WSHR-FL-STL 0.375X0.875X0.083 ZC120
12	06100211	3	SCR-MCH 10-24X.38 HWHSTAINLESS

CONTROL PANEL – KAWASAKI ENGINES

Models 992273, 275, 276

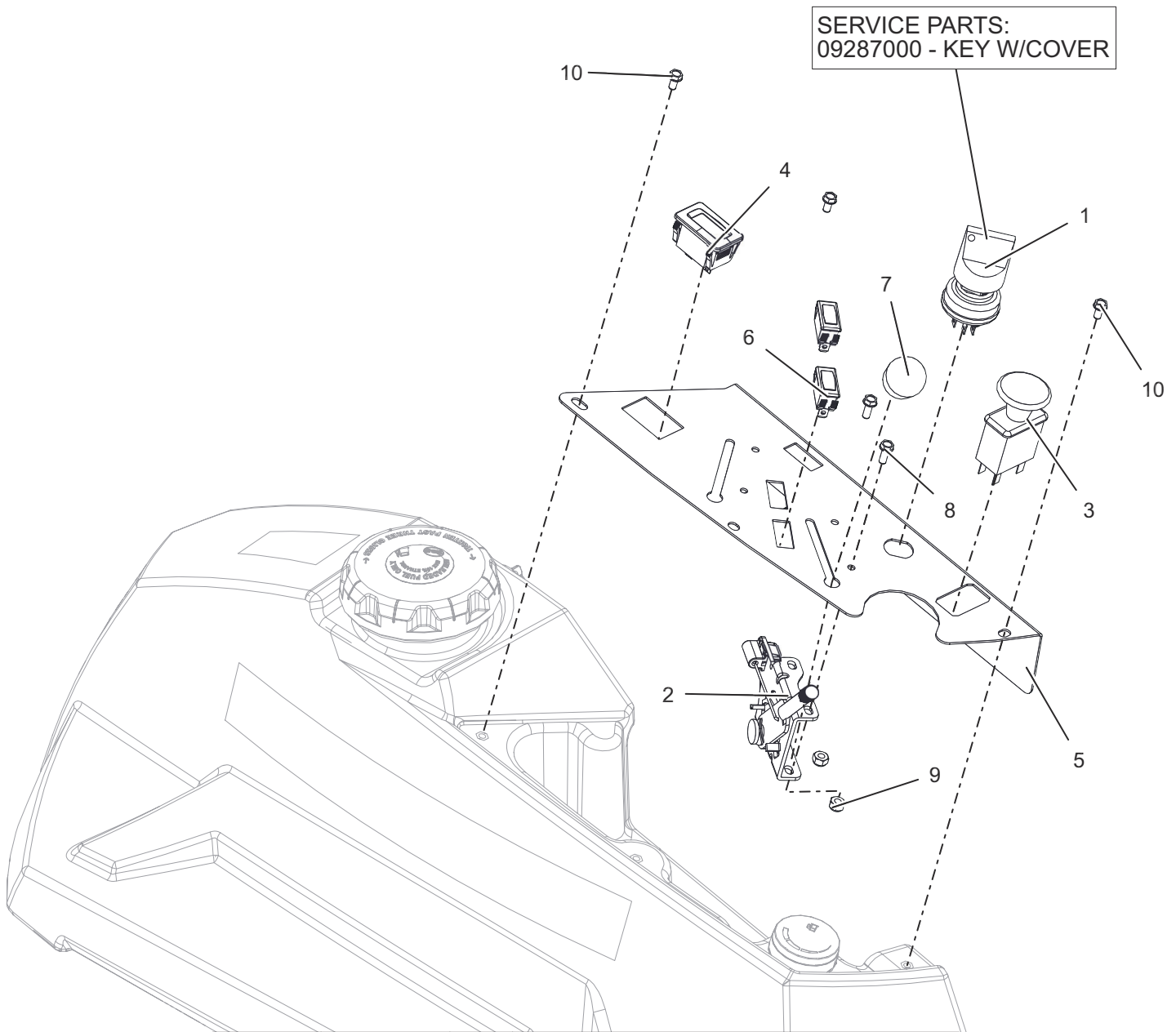


BOM ID	Number	Qty	Description
1	04331600	1	SWITCH, IGNITION
2	06900629	1	CABLE, PRO - CONTROL 46.00"
3	06900630	1	CABLE, PRO - CONTROL 53.00"
4	01545600	1	SWITCH, CLUTCH
5	05254800	1	HOUR METER
6	04869053	1	PANEL, PT200/400 CONTROL (RED)
7	05128700	1	LIGHT, INDICATOR (RED)
8	07500132	2	KNOB, CONTROL
9	05901825	4	SCR-MCH 10-24X.50 HWH ZCC
10	06500915	4	NUT, LK-NYL #10-24 GR5 ZC120
11	06100211	3	SCR-MCH 10-24X.38 HWHSTAINLESS

CONTROL PANEL – KOHLER EFI ENGINE

Model 992278

SERVICE PARTS:
09287000 - KEY W/COVER

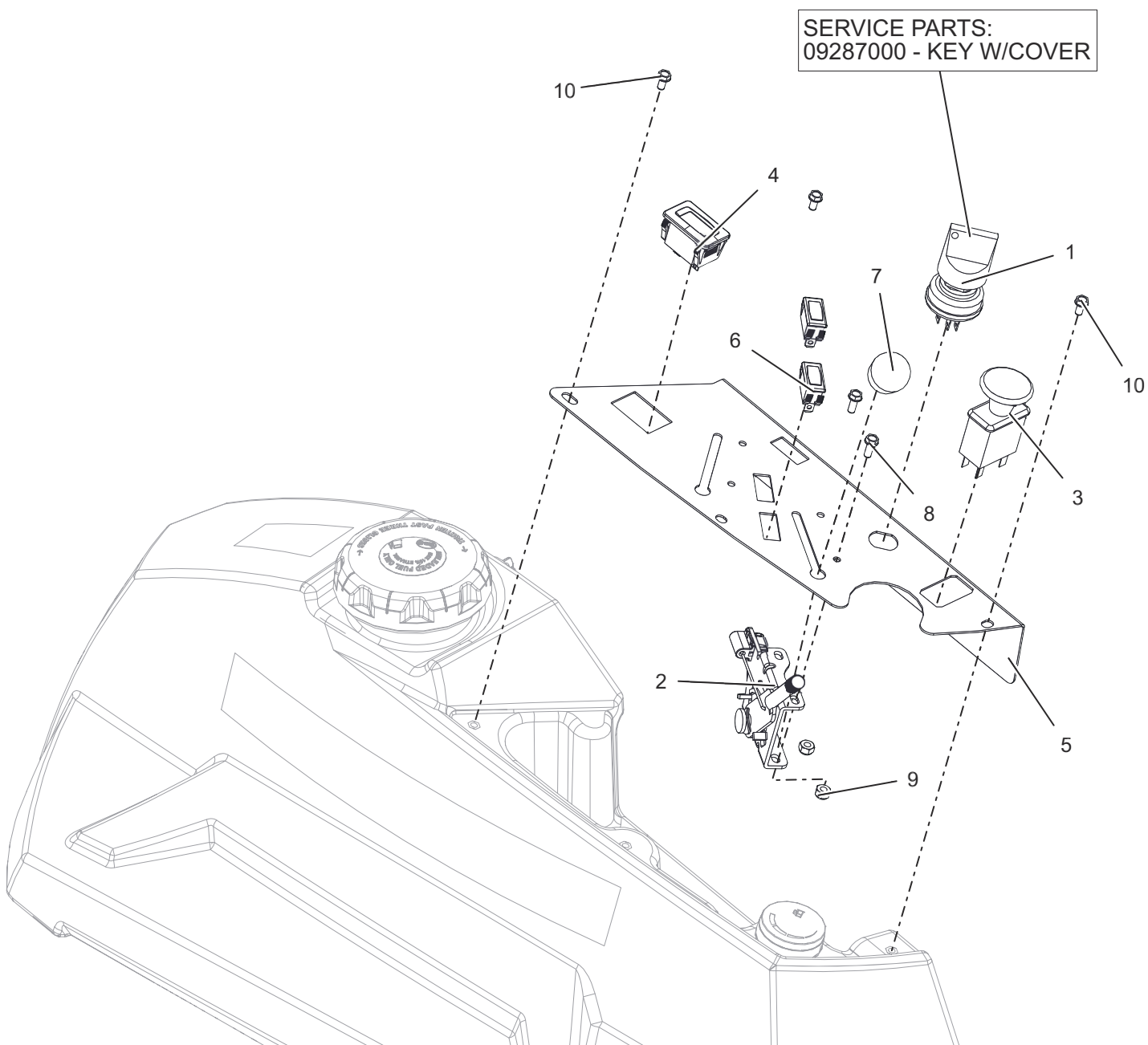


BOM ID	Number	Qty	Description
1	04331600	1	SWITCH, IGNITION
2	06900631	1	CABLE, PRO - CONTROL 35.50"
3	01545600	1	SWITCH, CLUTCH
4	05254800	1	HOUR METER
5	04869053	1	PANEL, PT200/400 CONTROL (RED)
6	05128700	2	LIGHT, INDICATOR (RED)
7	07500132	1	KNOB, CONTROL
8	05901825	2	SCR-MCH 10-24X.50 HWH ZCC
9	06500915	2	NUT, LK-NYL #10-24 GR5 ZC120
10	06100211	3	SCR-MCH 10-24X.38 HWHSTAINLESS

CONTROL PANEL – YAMAHA EFI ENGINES

Models 992282, 283, 284

SERVICE PARTS:
09287000 - KEY W/COVER

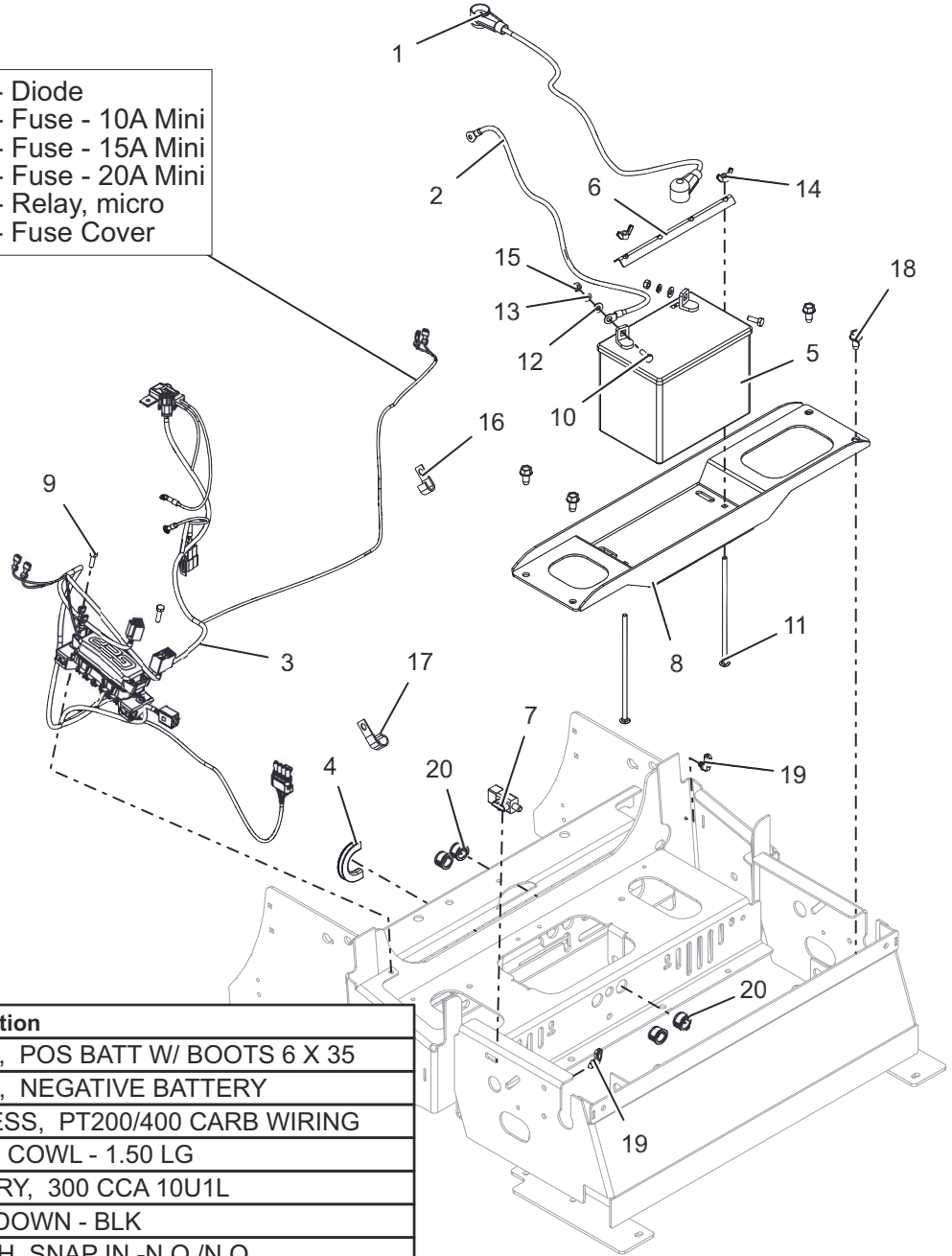


BOM ID	Number	Qty	Description
1	04331600	1	SWITCH, IGNITION
2	06900628	1	CABLE, PRO - CONTROL 43.00"
3	01545600	1	SWITCH, CLUTCH
4	05254800	1	HOUR METER
5	04869053	1	PANEL, PT200/400 CONTROL (RED)
6	05128700	2	LIGHT, INDICATOR (RED)
7	07500132	1	KNOB, CONTROL
8	05901825	2	SCR-MCH 10-24X.50 HWH ZCC
9	06500915	2	NUT, LK-NYL #10-24 GR5 ZC120
10	06100211	3	SCR-MCH 10-24X.38 HWHSTAINLESS

ELECTRICAL – NON-EFI

Models 992273, 275, 276

09293501 - Diode
 04438100 - Fuse - 10A Mini
 04438200 - Fuse - 15A Mini
 04438300 - Fuse - 20A Mini
 04438400 - Relay, micro
 04504200 - Fuse Cover

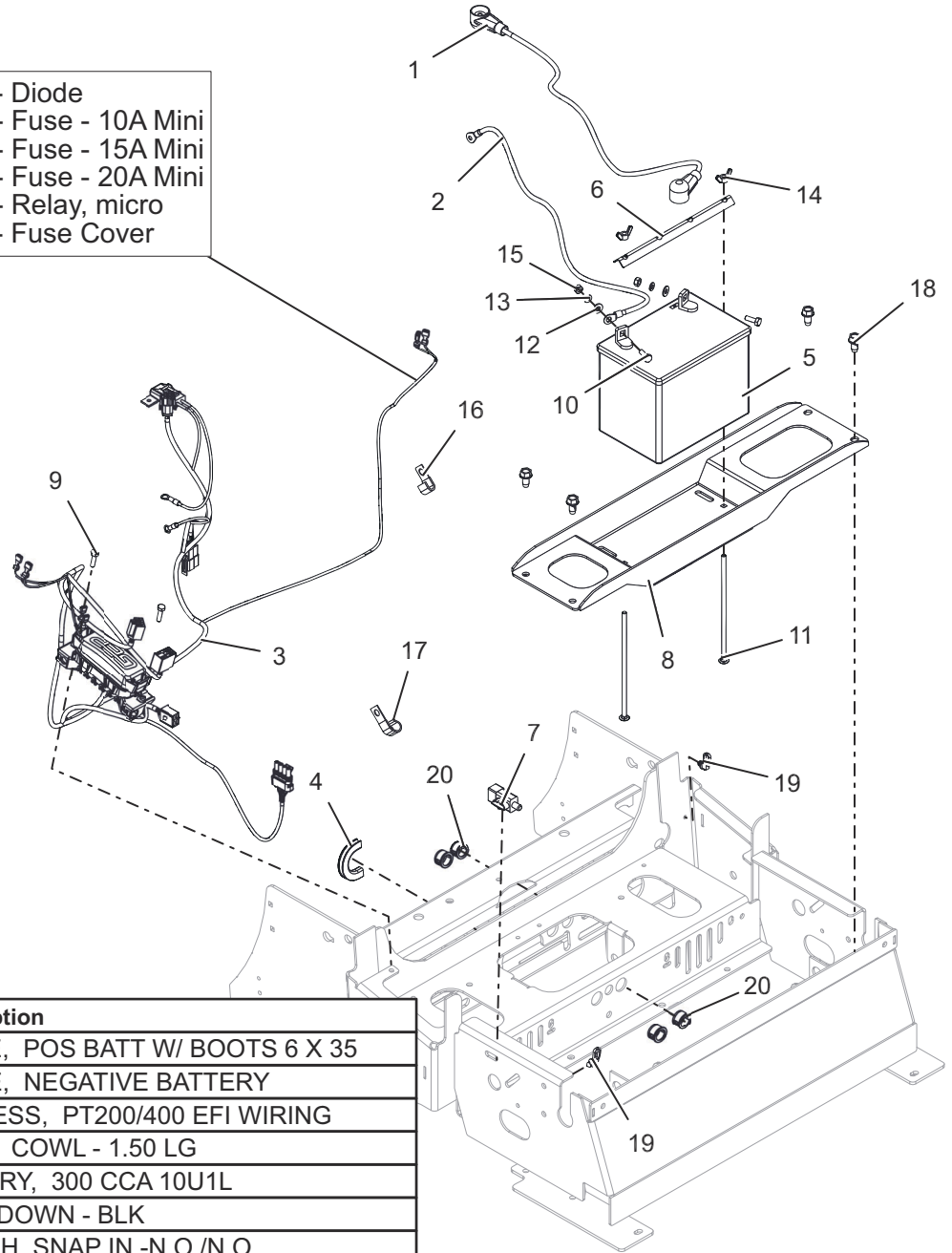


BOM ID	Number	Qty	Description
1	03286900	1	CABLE, POS BATT W/ BOOTS 6 X 35
2	03288200	1	CABLE, NEGATIVE BATTERY
3	05196200	1	HARNESS, PT200/400 CARB WIRING
4	00918200	1	STRIP, COWL - 1.50 LG
5	01554800	1	BATTERY, 300 CCA 10U1L
6	03494051	1	HOLD DOWN - BLK
7	03834300	1	SWITCH, SNAP IN -N.O./N.O
8	05244953	1	TRAY, PT200/400 BATTERY - RED
9	05901609	2	BLT,HEX M6-1X25 G8.8 ZC120
10	05901716	2	BLT, HEX 0.25-20X0.75 GR5 ZC120
11	06200424	2	BTL,RHSN .250-20 X 7.5 G5 ZCC
12	06401001	2	WSHR-FL-STL 0.281X0.625X0.065 ZC120
13	06401009	2	WSHR,LK-REG 0.252 X 0.062 ZCC
14	06500805	2	NUT, WING .250-20 LOCKING
15	06500916	2	NUT, HEX .250-20 GR5 ZCC
16	06909400	1	CLAMP, J
17	06916000	1	J-CLAMP
18	07400129	4	SCR-TAP .38-16X.75 HWH ZCC
19	07500040	2	CABLE, TIE W/TREE (.25 HOLE)
20	07500126	4	BUSH, PANEL SNAP .687X.875X.56

ELECTRICAL – EFI

Models 992278, 282, 283, 284

09293501 - Diode
 04438100 - Fuse - 10A Mini
 04438200 - Fuse - 15A Mini
 04438300 - Fuse - 20A Mini
 04438400 - Relay, micro
 04504200 - Fuse Cover

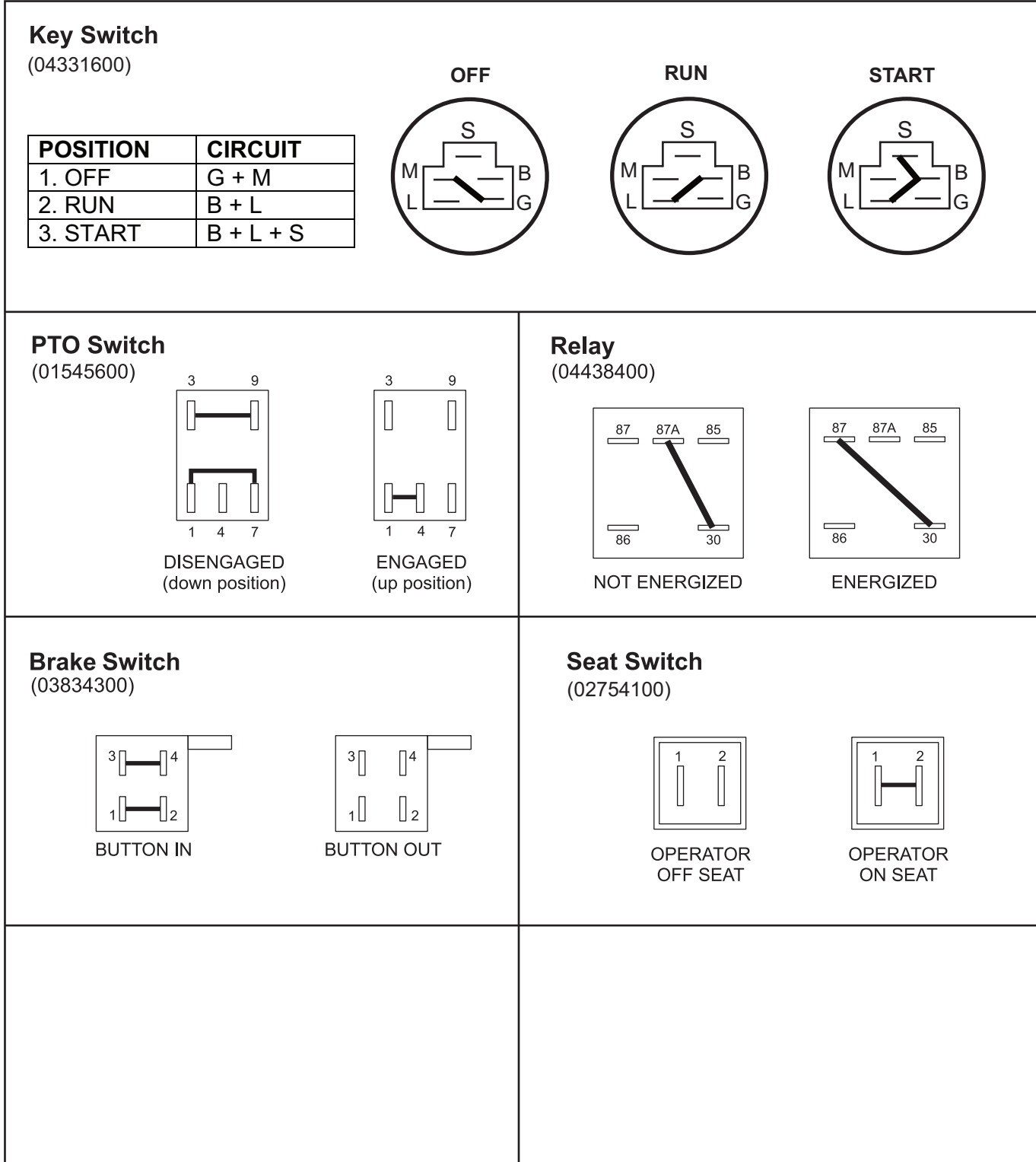


BOM ID	Number	Qty	Description
1	03286900	1	CABLE, POS BATT W/ BOOTS 6 X 35
2	03288200	1	CABLE, NEGATIVE BATTERY
3	05196300	1	HARNESS, PT200/400 EFI WIRING
4	00918200	1	STRIP, COWL - 1.50 LG
5	01554800	1	BATTERY, 300 CCA 10U1L
6	03494051	1	HOLD DOWN - BLK
7	03834300	1	SWITCH, SNAP IN -N.O./N.O
8	05244953	1	TRAY, PT200/400 BATTERY - RED
9	05901609	2	BLT,HEX M6-1X25 G8.8 ZC120
10	05901716	2	BLT, HEX 0.25-20X0.75 GR5 ZC120
11	06200424	2	BTL,RHSN .250-20 X 7.5 G5 ZCC
12	06401001	2	WSHR-FL-STL 0.281X0.625X0.065 ZC120
13	06401009	2	WSHR,LK-REG 0.252 X 0.062 ZCC
14	06500805	2	NUT, WING .250-20 LOCKING
15	06500916	2	NUT, HEX .250-20 GR5 ZCC
16	06909400	1	CLAMP, J
17	06916000	1	J-CLAMP
18	07400129	4	SCR-TAP .38-16X.75 HWH ZCC
19	07500040	2	CABLE, TIE W/TREE (.25 HOLE)
20	07500126	4	BUSH, PANEL SNAP .687X.875X.56

CONTINUITY DIAGRAM

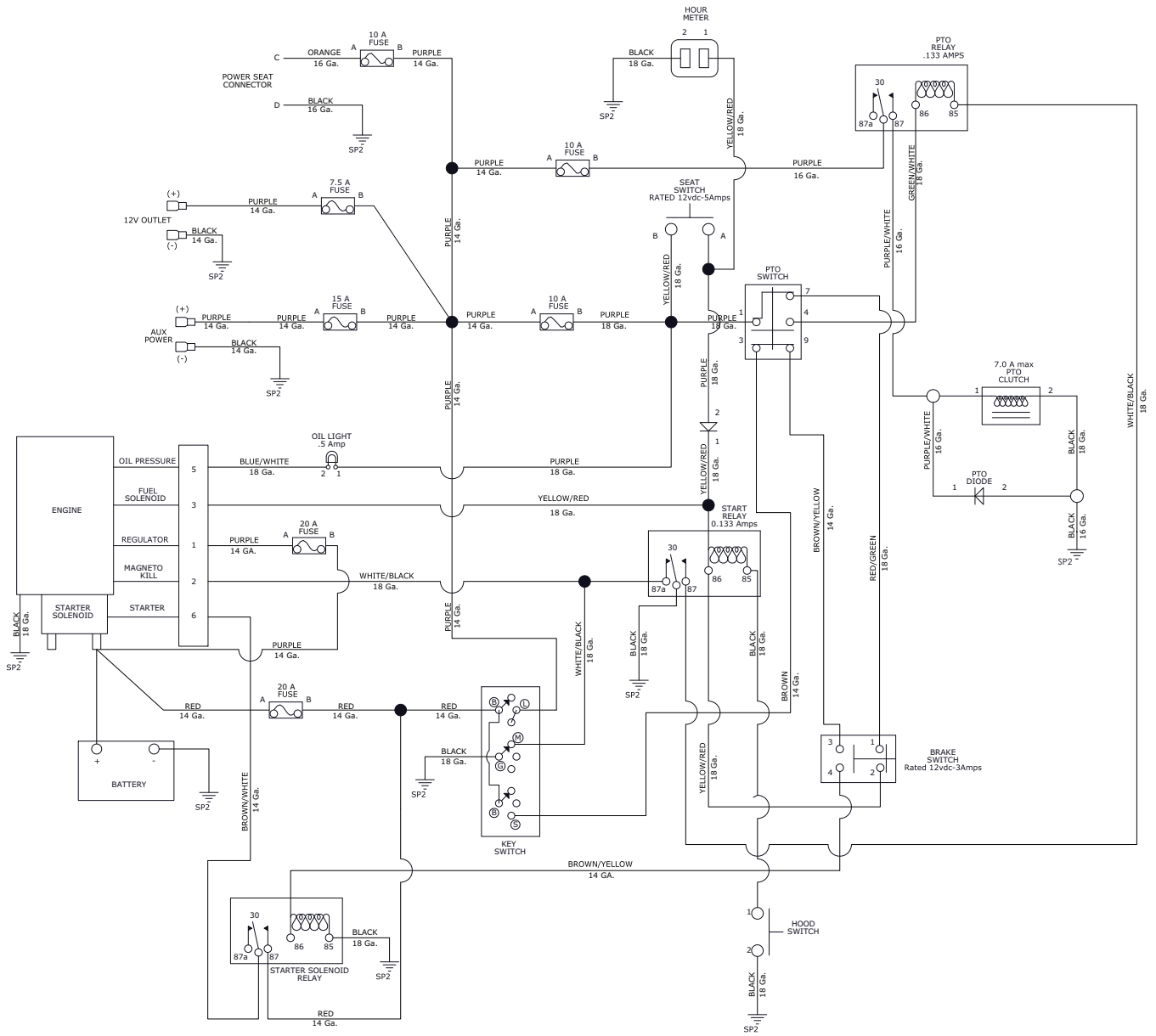
Models All

The diagrams below show the various states of connection for electrical components.
The solid lines on switches show continuity.
NOTE: All switches are viewed from the rear.



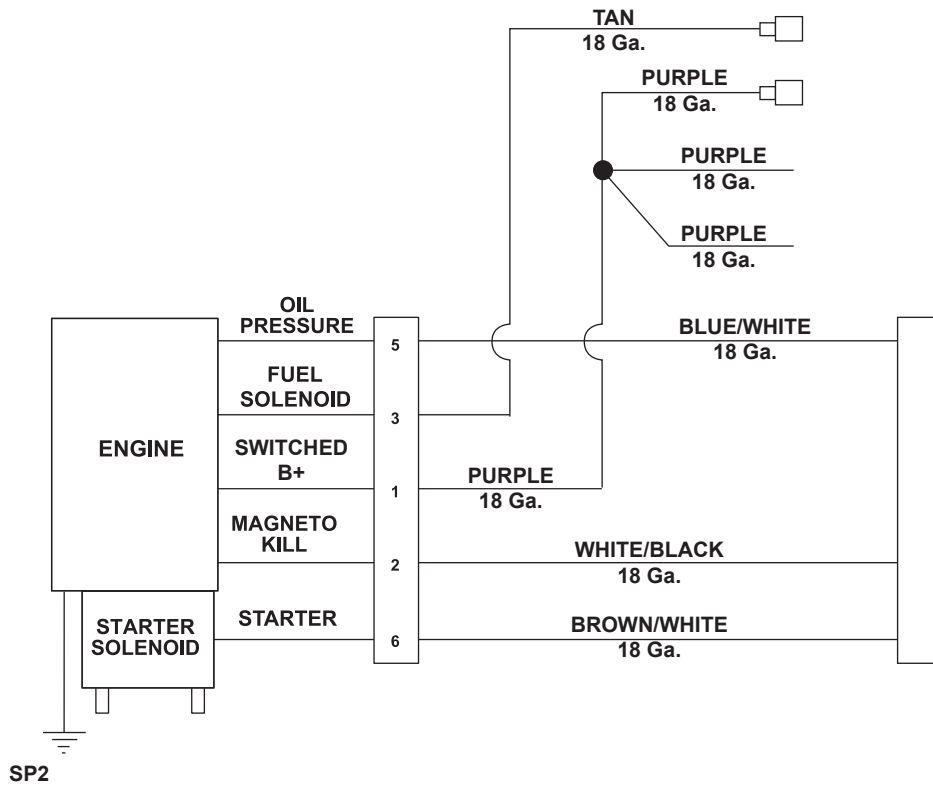
WIRING DIAGRAM

Models All



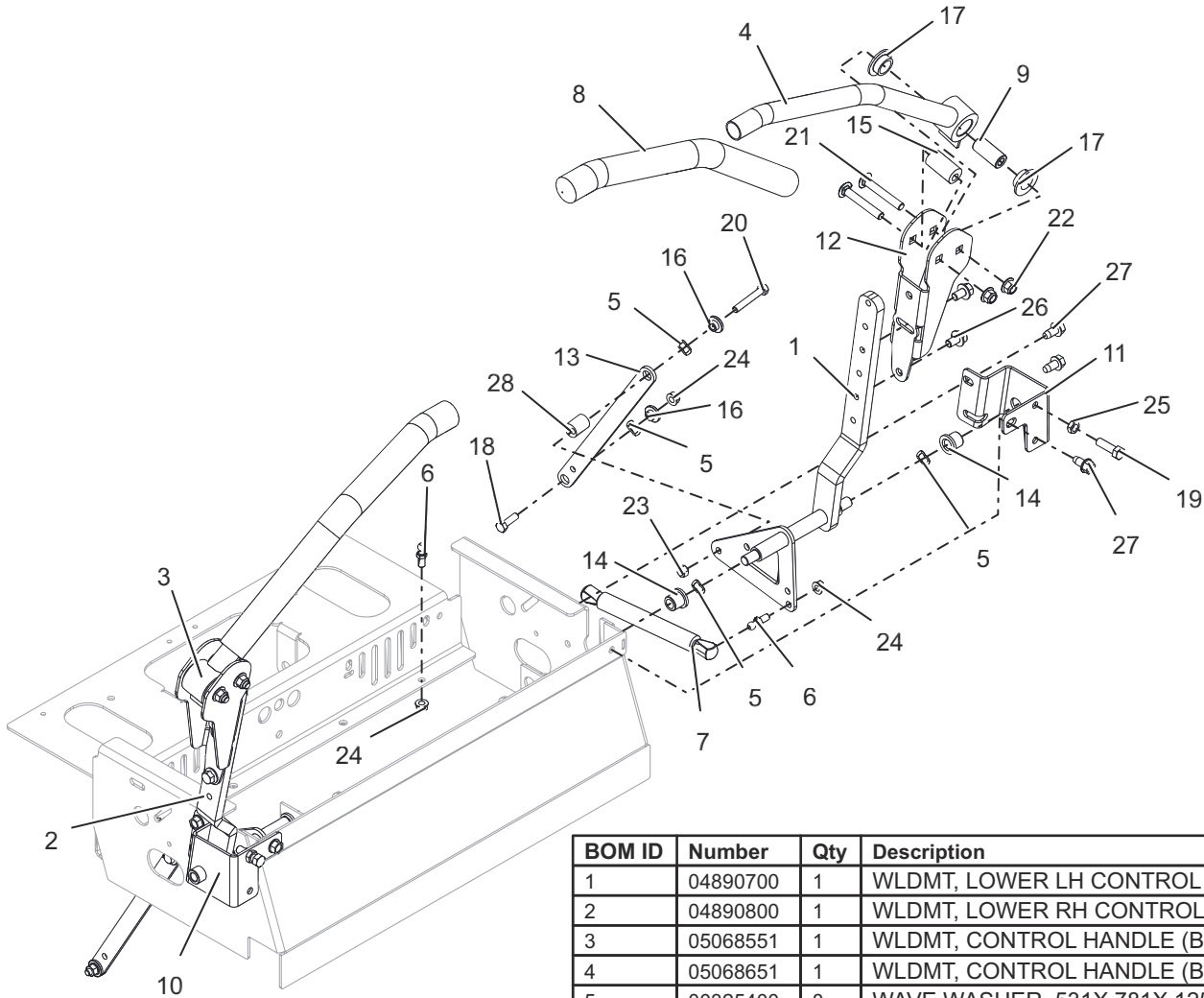
WIRING DIAGRAM – EFI ENGINES

Models 992278, 282, 283, 284



DRIVE CONTROLS

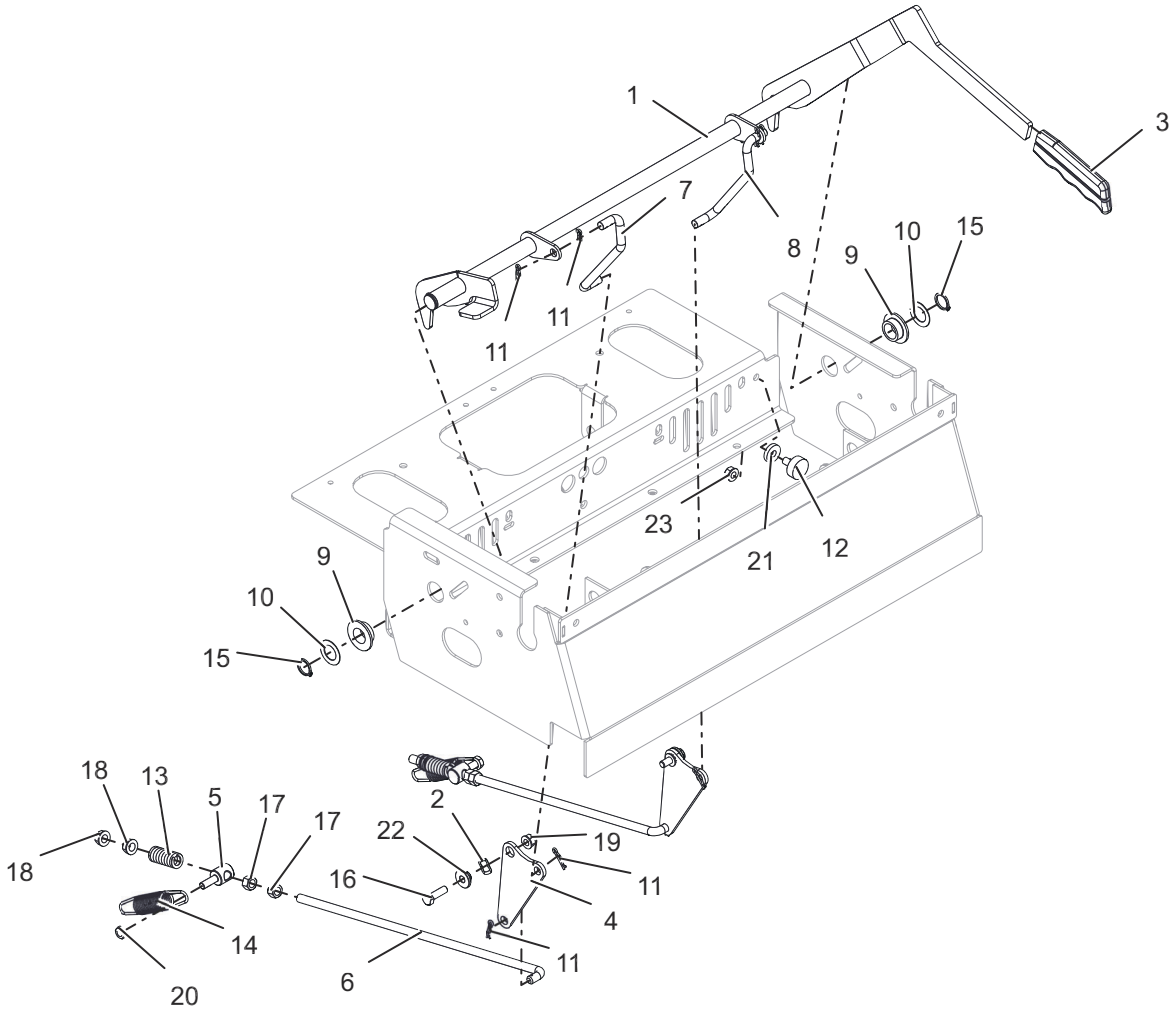
Models All



BOM ID	Number	Qty	Description
1	04890700	1	WLDMT, LOWER LH CONTROL ARM
2	04890800	1	WLDMT, LOWER RH CONTROL ARM
3	05068551	1	WLDMT, CONTROL HANDLE (BLACK)
4	05068651	1	WLDMT, CONTROL HANDLE (BLACK)
5	00325400	8	WAVE WASHER .531X.781X.125 FH
6	03652200	4	STUD-BALL
7	03769800	2	DAMPER, STEERING
8	04383600	2	GRIP, HANDLEBAR
9	04413600	2	SPCR, STEERING ARM
10	04890553	1	BRKT, PT200/400 RH CONTROL STOP (RED)
11	04890653	1	BRKT, PT200/400 LH CONTROL STOP (RED)
12	05068751	2	BRKT, ADJ UPPER CONTROL ARM
13	05133851	2	LINK, STEERING CONTROL (BLACK)
14	05501001	4	BSHG, FLANGE .500X.750X.750X.125
15	05501223	2	BSHG, ECCENTRIC .328 X .750 X 1.625
16	05514800	4	BSHG, FLG .32X.500.344X.880
17	05525200	4	BSHG, FLANGE .762 X 1.48 X .44 NYLON
18	05901701	2	BLT, HEX 0.3125-18X1 GR5 ZC120
19	05901724	2	BLT, HEX 0.375-16X1.25 GR5 ZC120
20	05901805	2	BLT, HEX 0.3125-18X2 GR5 ZCC
21	06200315	4	BTL,RHSSN .375-16 X 2.5 G5 ZCC
22	06500726	4	NUT, LK-NYL-FLG .38-16 GR5 ZC120
23	06500826	2	NUT, HEX-CTR LK .312-18 GR5 ZC120
24	06500904	6	NUT, FLG-TOP LK .312-18 GR5 ZCC
25	06500910	2	NUT-JAM .375-16 GR2 ZCC
26	07001716	4	BLT, SERHFWH 0.375-16X0.625 GR5 ZCC
27	07400129	6	SCR-TAP .38-16X.75 HWH ZCC
28	09235700	2	ECCENTRIC

PARKING BRAKE

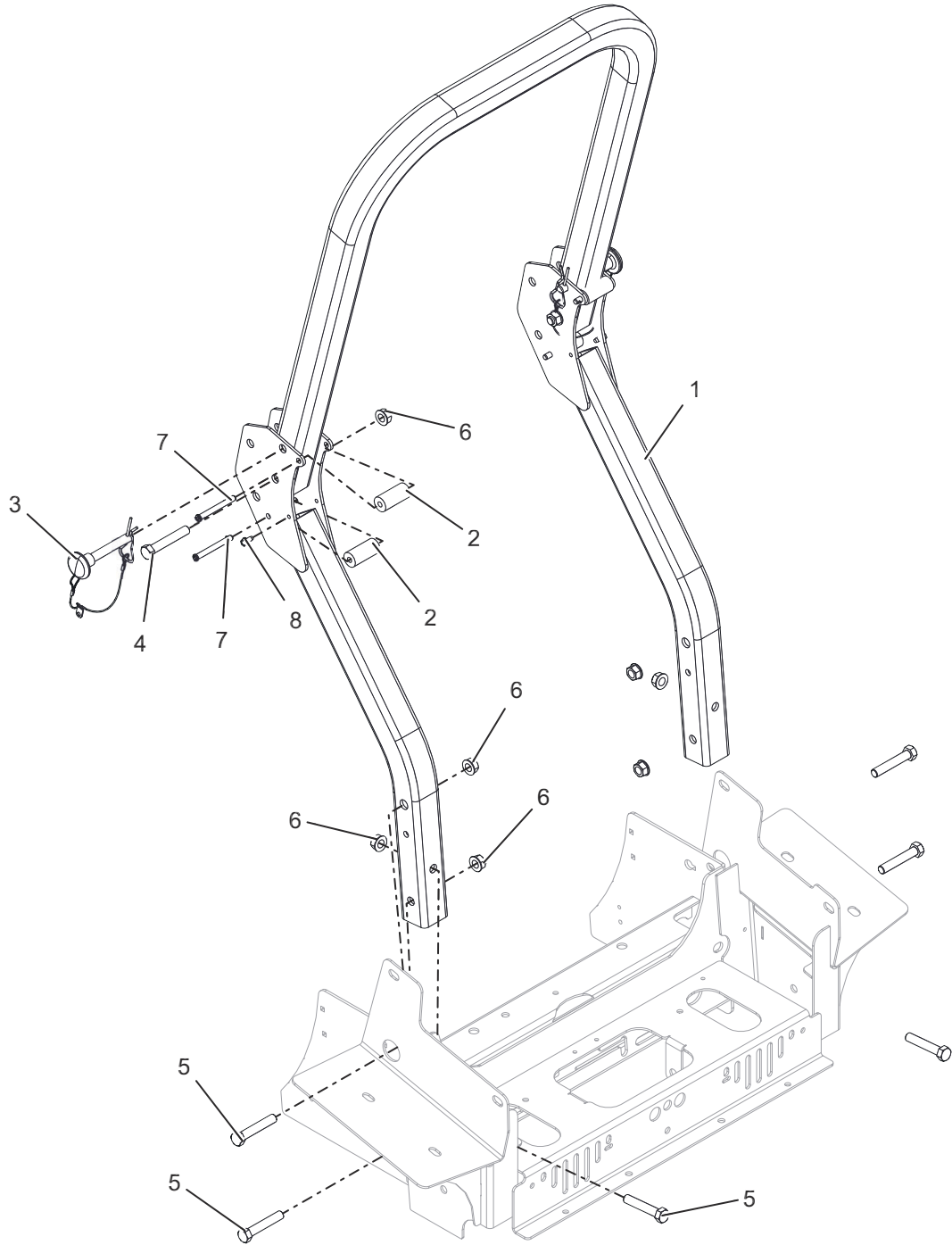
Models All



BOM ID	Number	Qty	Description
1	05254000	1	WLDMT, PT200/400 PARK BRAKE
2	00325400	2	WAVE WASHER .531X.781X.125 FH
3	03826900	1	GRIP, PARKING BRAKE (YELLOW)
4	03969451	2	PLATE, BRAKE PIVOT
5	03969600	2	TRUNNION, .31-18
6	03975700	2	ROD, BRAKE ADJ.
7	04396700	1	LINKAGE, RH BRAKE ACTUATING
8	04396800	1	LINKAGE, LH BRAKE ACTUATING
9	05525200	2	BSHG, FLANGE .762 X 1.48 X .44 NYLON
10	06413400	2	WSHR-HDND-THRST
11	06700223	8	PIN, HAIR #225 .072X1.09
12	07533600	1	BUMPER, RUBBER
13	08300027	2	SPRG, COMPRESSION
14	08300610	2	SPRG, TENSION
15	05714600	2	RG-RTNG-EXT .750x.078
16	05901701	2	BLT, HEX 0.3125-18X1 GR5 ZC120
17	06500917	4	NUT, STD .375-16 GR2 ZCC
18	06500735	4	NUT, FLG-SPNLK .375-16 GR5 ZC120
19	06500904	2	NUT, FLG-TOP LK .312-18 GR5 ZCC
20	06500913	2	NUT, JAM-CTR LK .312-18 GR5 ZCC
21	06401103	1	WSHR-FL-STL 0.328X0.87X0.179 ZCC
22	05514800	2	BSHG, FLG .32X.500.344X.880
23	06500815	1	NUT, FLG-SPNLK .312-18 GR5 ZC120

ROPS

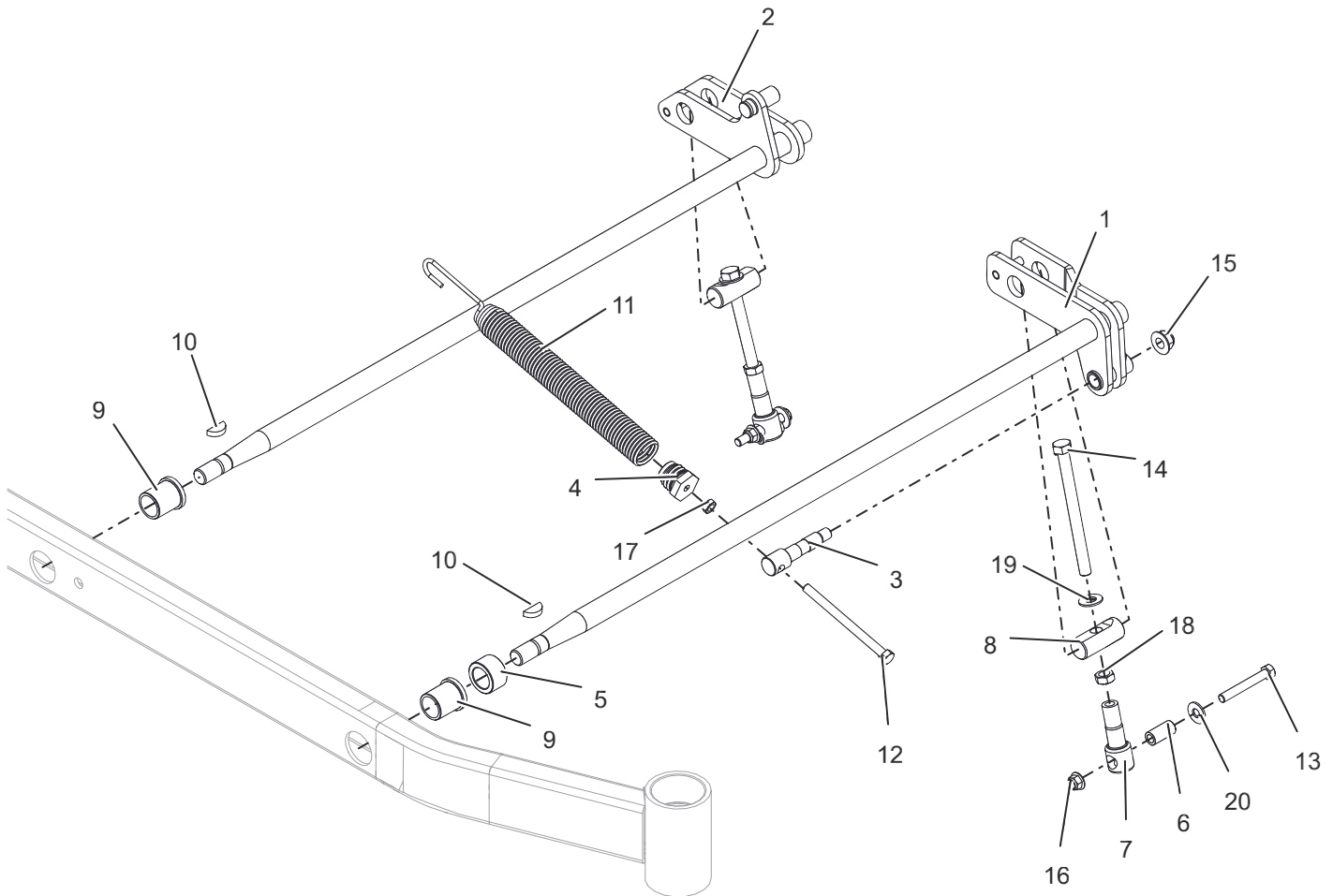
Models All



BOM ID	Number	Qty	Description
1	59224900	1	ROPS, PT200/400 REPLACEMENT
2	04884200	4	BUMPER, ROPS ANTI-VIBRATION
3	04898200	2	PIN, ROPS W/LANYARD
4	05901737	2	BLT, HEX 0.5-13X3 GR5 ZCC
5	05901720	6	BLT, HEX 0.5-13X2.75 GR5 ZC120
6	06500902	8	NUT, FLG-CTR LK .500-13 GG ZCC
7	07001826	4	PIN, SLIC .312 X 2.57
8	07400034	2	SCR-TAP .25-20X.50 HWH TR YWZ

DECK LIFT – LEFT HAND

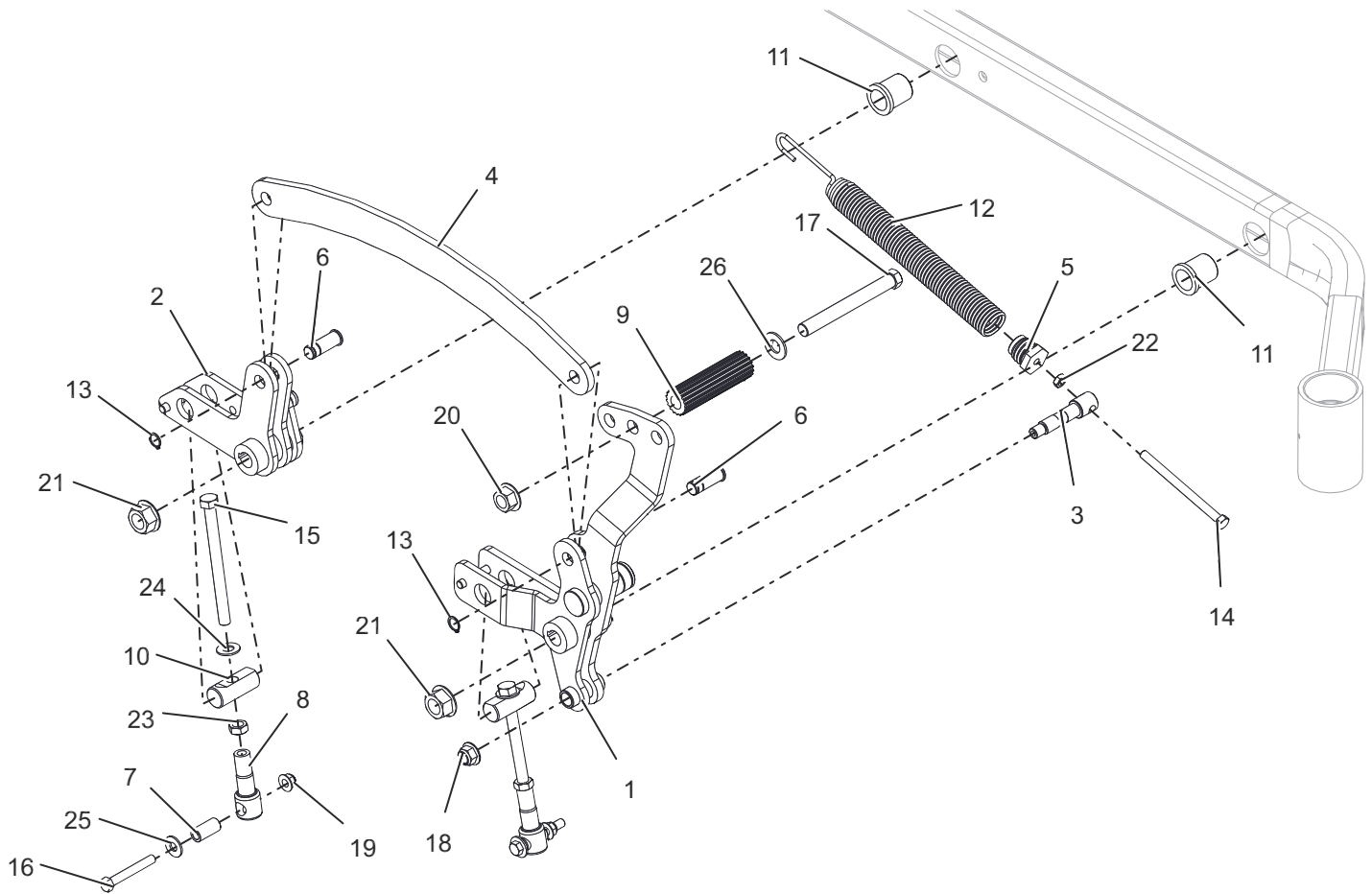
Models All



BOM ID	Number	Qty	Description
1	04877567	1	WLDMT, FRONT LH DECK LIFT ARM (BLACK)
2	04877667	1	WLDMT, REAR LH DECK LIFT ARM (BLACK)
3	04373200	1	TRUNNION, SPRG
4	04374200	1	PLUG, SPRG
5	04689400	1	SPACER, 1.500 X 1.000 X .880
6	04895200	2	SPCR, DECK LEVELING
7	05081400	2	LINK, DECK LIFT, FORMED
8	05149500	2	PIN, DECK LIFT
9	05500934	2	BSHG-FLG 1.00X1.25X1.5X1.5
10	06608900	2	KEY, WDRF .25 X 1.00 HRD #15
11	08300624	1	SPRG, DECK LIFT
12	05901923	1	BLT, HEX 0.375-16X5F GR5 ZCC
13	05901813	2	BLT, HEX 0.375-16X2.75 GR8 ZCC
14	05901924	2	BLT, HEX 0.5-13X6S GR5 ZCC
15	06500810	1	NUT, LK-NYL-FLG .50-13 GR5 ZC120
16	06500726	2	NUT, LK-NYL-FLG .38-16 GR5 ZC120
17	06500910	1	NUT-JAM .375-16 GR2 ZCC
18	06500911	2	NUT, JAM .50-13 GR5 ZC120
19	06401116	2	WSHR-FL-STL 0.526X1.055X0.074 HRD
20	06401008	2	WSHR-FL-STL 0.438X1X0.083 ZC120

DECK LIFT – RIGHT HAND

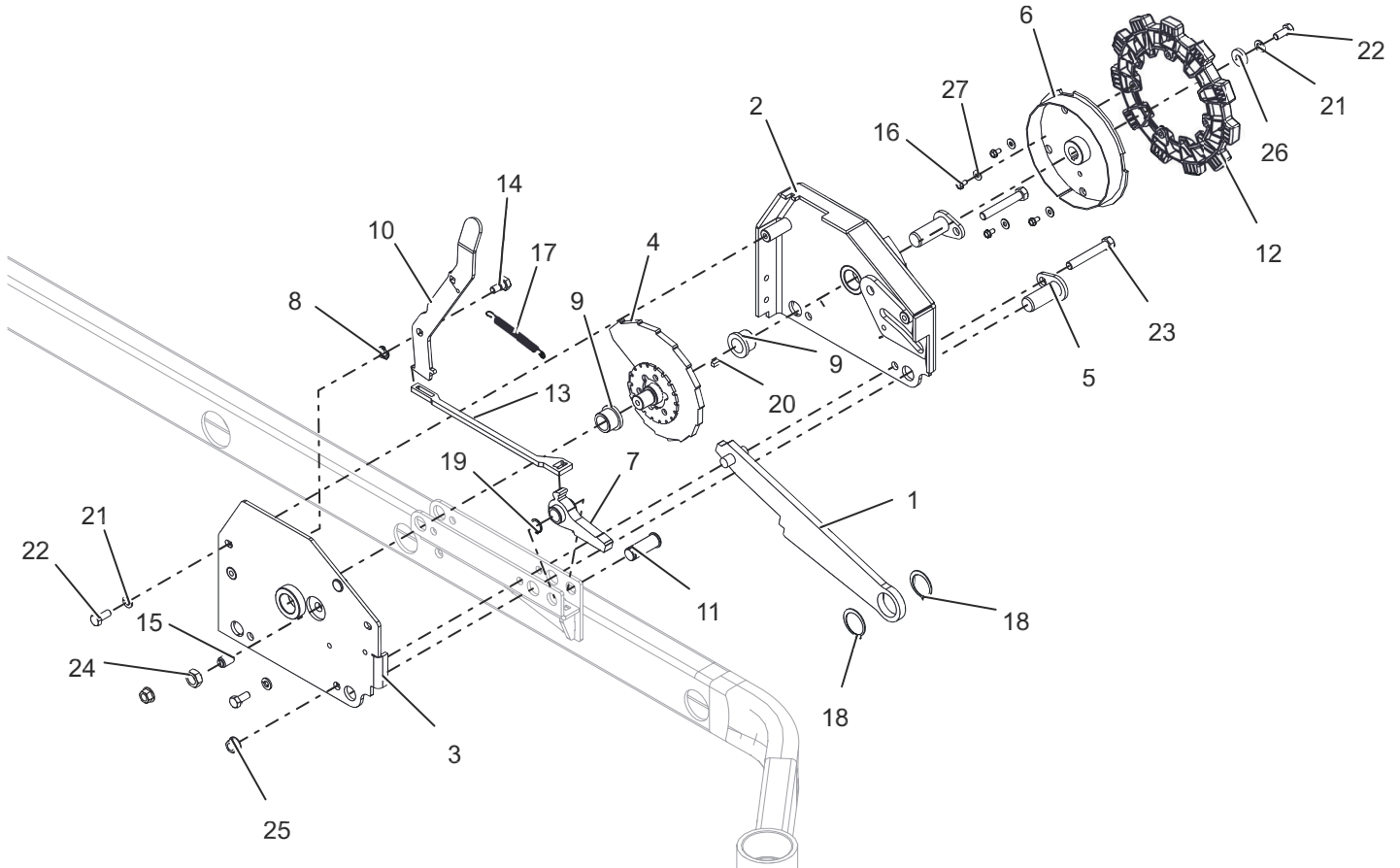
Models All



BOM ID	Number	Qty	Description
1	04877367	1	WLDMT, PT400 FRONT RH DECK LIFT ARM (BLACK)
2	04877467	1	WLDMT, REAR RH DECK LIFT ARM (BLACK)
3	04373200	1	TRUNNION, SPRG
4	04373451	1	LIFT, LINK - BLACK
5	04374200	1	PLUG, SPRG
6	04414200	2	PIN, CLEVIS .625 SNAP RING
7	04895200	2	SPCR, DECK LEVELING
8	05081400	2	LINK, DECK LIFT, FORMED
9	05120951	1	ROD, FOOT PEDAL (BLACK)
10	05149500	2	PIN, DECK LIFT
11	05500934	2	BSHG-FLG 1.00X1.25X1.5X1.5
12	08300624	1	SPRG, DECK LIFT
13	05709200	2	RG-RTNG-EXT .625x.050
14	05901923	1	BLT, HEX 0.375-16X5F GR5 ZCC
15	05901924	2	BLT, HEX 0.5-13X6S GR5 ZCC
16	05901813	2	BLT, HEX 0.375-16X2.75 GR8 ZCC
17	05901730	1	BLT, HEX 0.625-11X5.5 GR5 ZB500
18	06500810	1	NUT, LK-NYL-FLG .50-13 GR5 ZC120
19	06500726	2	NUT, LK-NYL-FLG .38-16 GR5 ZC120
20	06500835	1	NUT,FLG-TOP LK .625-11 FBP
21	06500931	2	NUT,FLG-TOP LK .625-11 FBP
22	06500910	1	NUT-JAM .375-16 GR2 ZCC
23	06500911	2	NUT, JAM .50-13 GR5 ZC120
24	06401116	2	WSHR-FL-STL 0.526X1.055X0.074 HRD
25	06401008	2	WSHR-FL-STL 0.438X1X0.083 ZC120
26	06401039	1	WSHR-FL-STL 0.656X1.312X0.095 RIE5230

DECK LIFT – RIGHT HAND (CONTINUED)

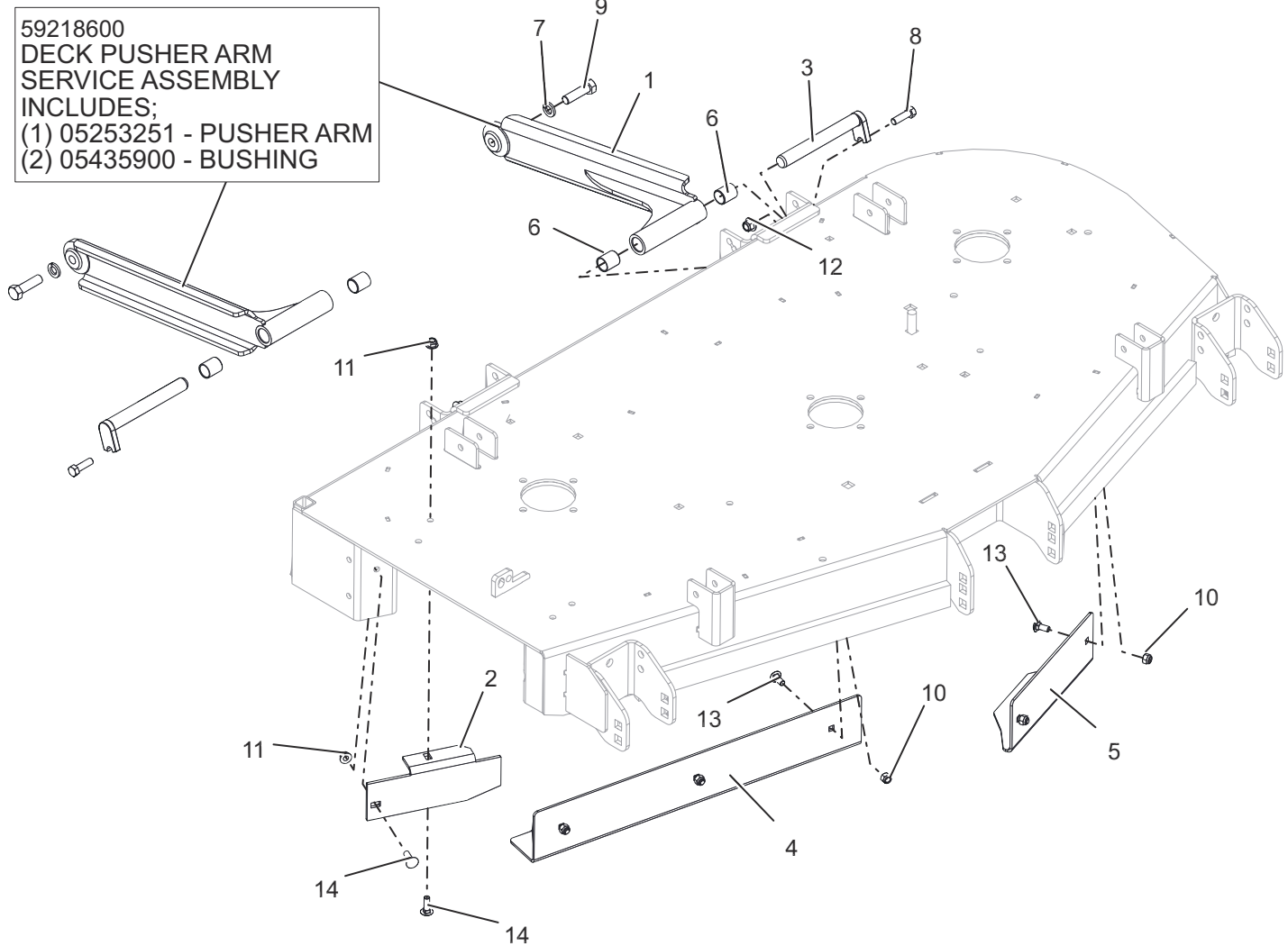
Models All



BOM ID	Number	Qty	Description
1	04373651	1	WLDMT, HOC LINK - BLACK
2	04374753	1	WLDMT, HOC INNER-RED
3	04374853	1	WLDMT, HOC OUTER - RED
4	04374900	1	WLDMT, HOC CAM
5	04375400	2	WLDMT, PIN HOC MOUNTING
6	04870953	1	WLDMT, HOC WHEEL (RED)
7	05131951	1	WLDMT, LOCK PAWL (BLACK)
8	01320200	1	WASHER, .390X.655X.110 WAVE
9	03985500	2	BUSHING, FLANGE
10	04390851	1	LEVER, TRANSPORT LOCK - BLACK
11	04414200	1	PIN, CLEVIS .625 SNAP RING
12	04965400	1	WHEEL, HOC
13	05142151	1	LINK, TRANSPORT LOCK
14	07001703	1	BOLT, .38-16 x .437 HEX YZ SHLDR
15	07001704	1	BALL SPRING PLUNGER, .500-13
16	07400033	4	SCR, TAP 10-24X.375 PRE-COAT 80
17	08300533	1	SPRG, EXTENSION
18	05700213	2	RG-RTNG-EXT 1.25x.050
19	05709200	1	RG-RTNG-EXT .625x.050
20	06600215	1	KEY-SQ .188X.188X.375
21	06300119	3	WSHR,LK-REG 0.314 X 0.078 ZCC
22	05901704	3	BLT, HEX 0.3125-18X0.75 GR5 ZC120
23	05901812	2	BLT, HEX 0.375-16X2.5 GR5 ZCC
24	06500911	1	NUT, JAM .50-13 GR5 ZC120
25	06500901	2	NUT, FLG-CTR LK .375-16 GR5 ZC120
26	06401103	1	WSHR-FL-STL 0.328X0.87X0.179 ZCC
27	06401123	4	WSHR-FL-STL 0.219X0.5X0.049 ZCC

STABILIZER ARMS AND BAFFLES – 52"

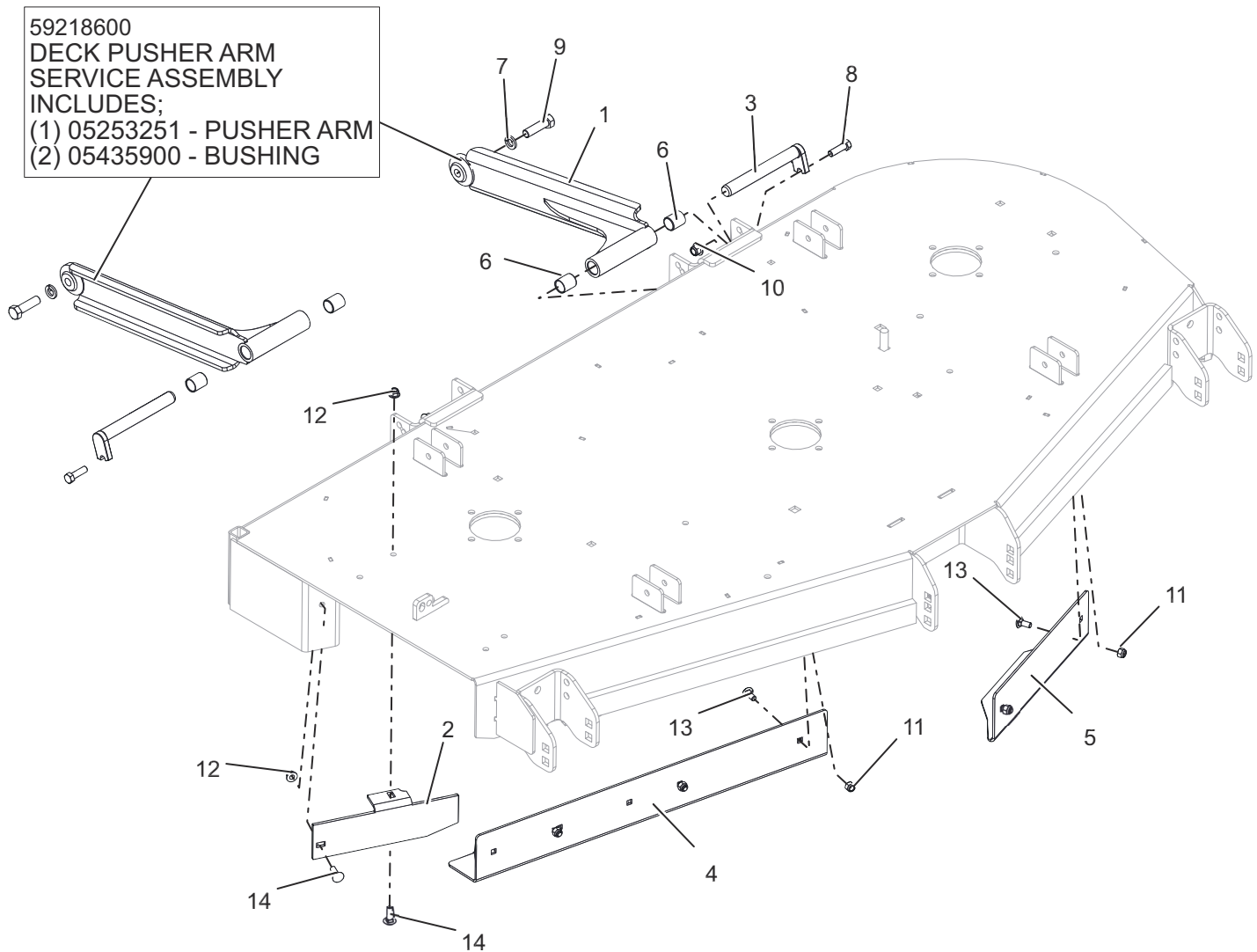
Models 992273, 282



BOM ID	Number	Qty	Description
1	05253251	2	WLDMT, DECK STABILIZER ARM (BLACK)
2	00440853	1	BAFFLE, 52" DISCHARGE-RED
3	05157900	2	PIN, DECK MTG
4	05251753	1	BAFFLE, 52" RH VACUUM (RED)
5	05251853	1	BAFFLE, 52" LH VACUUM (RED)
6	05435900	4	BRG, .750 X .875 X 1.000
7	06300115	2	WSHR,LK-REG 0.502 X 0.125 ZCC
8	05901724	2	BLT, HEX 0.375-16X1.25 GR5 ZC120
9	05901922	2	BLT, HEX 0.5-13X1.75 GR5 ZCC EP80
10	06500820	5	NUT, LK-NYL .31-18 GR5 ZC120
11	06500809	2	NUT, LK-NYL-FLG .31-18 GR5 ZC120
12	06500726	2	NUT, LK-NYL-FLG .38-16 GR5 ZC120
13	06200232	5	BTL,RHSN .313-18 X 0.75 G5 ZCC
14	06200231	2	BTL,RHSN .313-18 X 1 G5 ZCC

STABILIZER ARMS AND BAFFLES – 60"

Models 992275, 278, 283

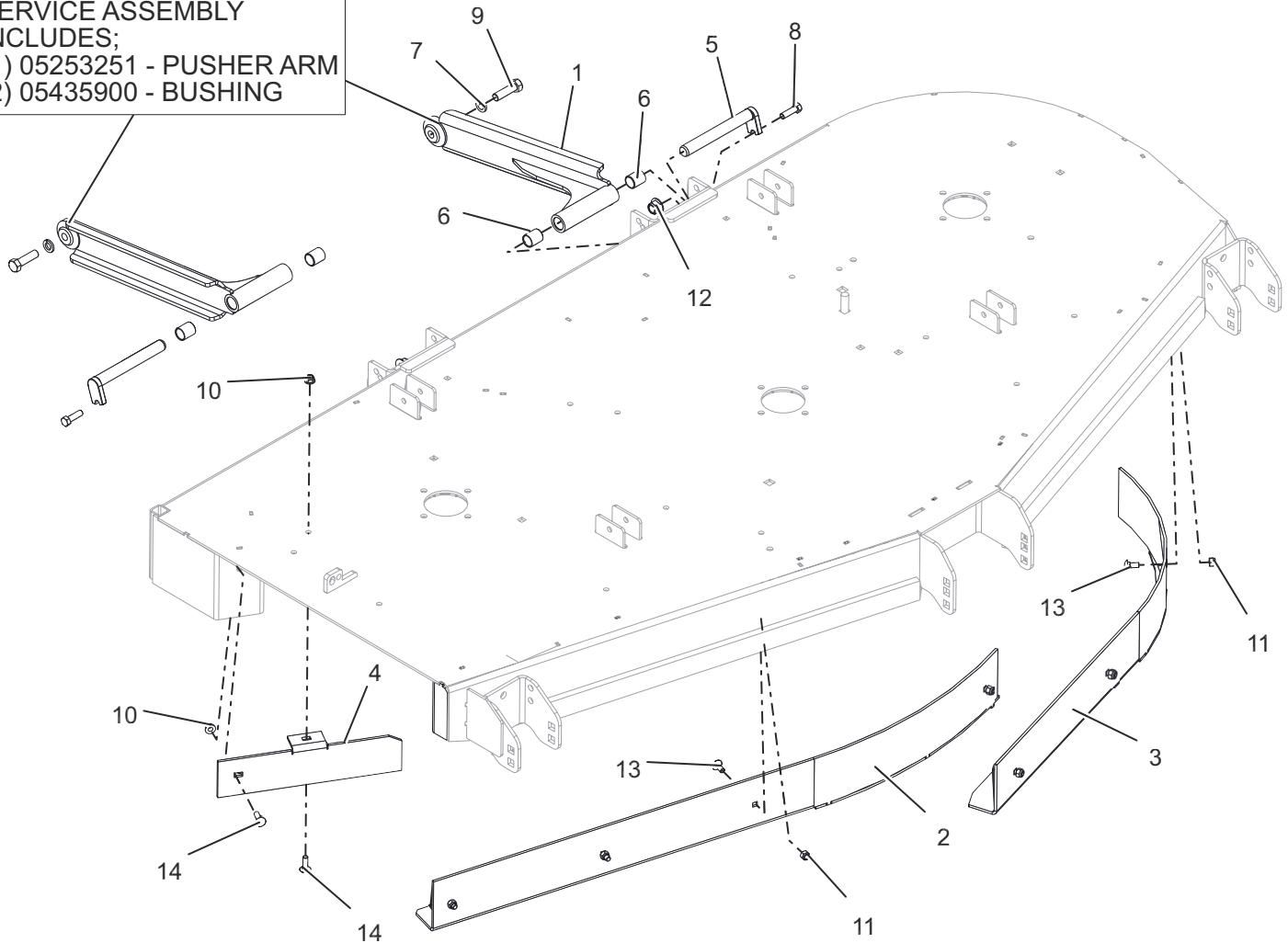


BOM ID	Number	Qty	Description
1	05253251	2	WLDMT, DECK STABILIZER ARM (BLACK)
2	00374153	1	BAFFLE, 60" DISCHARGE
3	05157900	2	PIN, DECK MTG
4	05251953	1	BAFFLE, 60" RH VACUUM (RED)
5	05252053	1	BAFFLE, 60" LH VACUUM (RED)
6	05435900	4	BRG, .750 X .875 X 1.000
7	06300115	2	WSHR,LK-REG 0.502 X 0.125 ZCC
8	05901724	2	BLT, HEX 0.375-16X1.25 GR5 ZC120
9	05901922	2	BLT, HEX 0.5-13X1.75 GR5 ZCC EP80
10	06500726	2	NUT, LK-NYL-FLG .38-16 GR5 ZC120
11	06500820	5	NUT, LK-NYL .31-18 GR5 ZC120
12	06500809	2	NUT, LK-NYL-FLG .31-18 GR5 ZC120
13	06200232	5	BTL,RHSN .313-18 X 0.75 G5 ZCC
14	06200231	2	BTL,RHSN .313-18 X 1 G5 ZCC

STABILIZER ARMS AND BAFFLES – 72"

Models 992276, 284

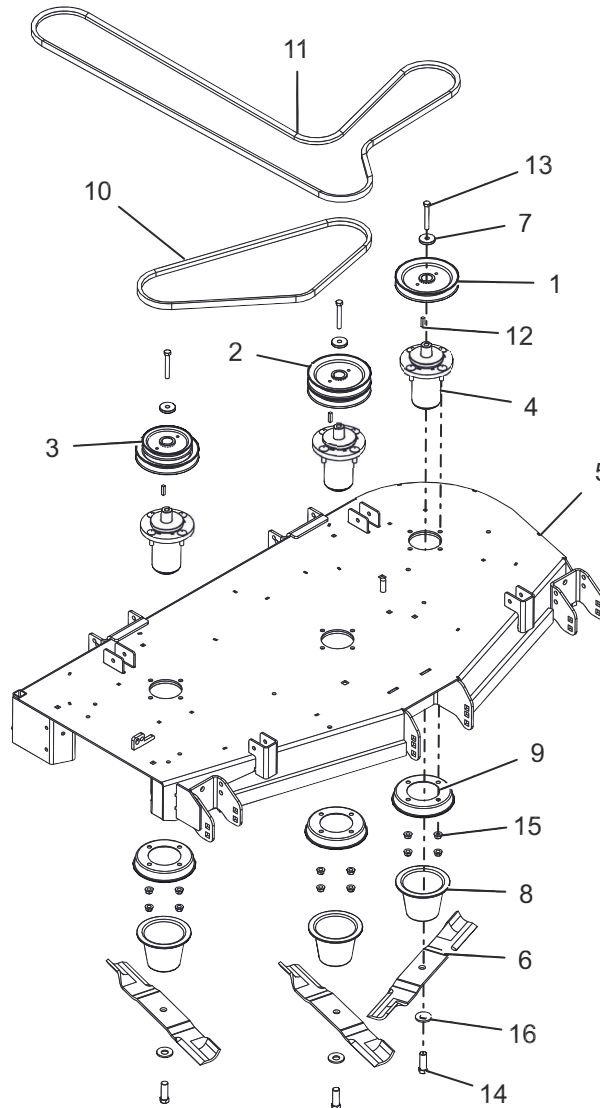
59218600
DECK PUSHER ARM
SERVICE ASSEMBLY
INCLUDES:
(1) 05253251 - PUSHER ARM
(2) 05435900 - BUSHING



BOM ID	Number	Qty	Description
1	05253251	2	WLDMT, DECK STABILIZER ARM (BLACK)
2	05255453	1	WLDMT, 72" RH VACUUM BAFFLE (RED)
3	05255553	1	WLDMT, 72" LH VACUUM BAFFLE (RED)
4	04962253	1	BAFFLE, DISCHARGE 72" (RED)
5	05157900	2	PIN, DECK MTG
6	05435900	4	BRG, .750 X .875 X 1.000
7	06300115	2	WSHR,LK-REG 0.502 X 0.125 ZCC
8	05901724	2	BLT, HEX 0.375-16X1.25 GR5 ZC120
9	05901922	2	BLT, HEX 0.5-13X1.75 GR5 ZCC EP80
10	06500809	2	NUT, LK-NYL-FLG .31-18 GR5 ZC120
11	06500820	7	NUT, LK-NYL .31-18 GR5 ZC120
12	06500810	2	NUT, LK-NYL-FLG .50-13 GR5 ZC120
13	06200232	7	BTL,RHSN .313-18 X 0.75 G5 ZCC
14	06200231	2	BTL,RHSN .313-18 X 1 G5 ZCC

DECK, BELTS, BLADES, AND SPINDLES – 52"

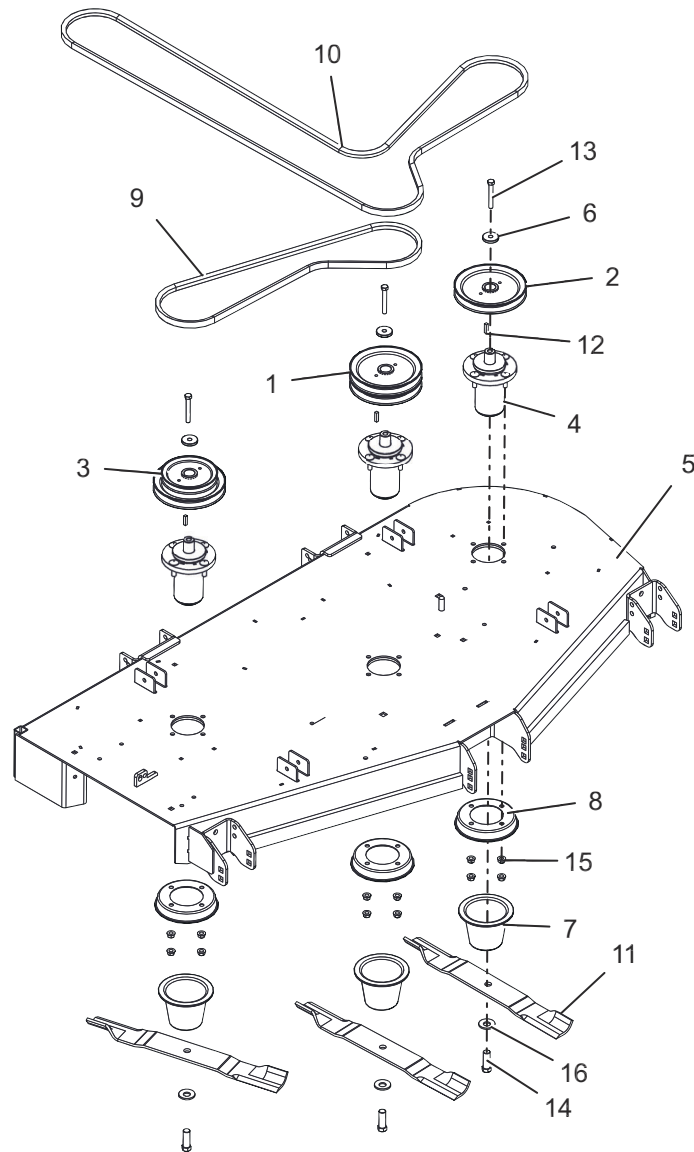
Models 992273, 282



BOM ID	Number	Qty	Description
1	07332167	1	PULLEY, SINGLE -1.000 ID X 6.000 OD
2	07332367	1	PULLEY, DOUBLE 1.000 ID X 6.000 OD-BLACK
3	07340300	1	PULLEY, DOUBLE -1" ID X 6.00" & 4.75" OD
4	58810800	3	ASM, ALUM SPINDLE
5	59227900	1	WLDMT, 52" SIDE DISCHARGE DECK-RED
6	00450300	3	BLADE, 18.00" MOWER (HI-LIFT)
7	04530500	3	RETAINER, SHEAVE SPINDLE
8	05011500	3	GUARD, SPINDLE DEBRIS
9	05017000	3	SPINDLE, GUARD TOP
10	07200036	1	V-BELT, B-COGGED
11	07200729	1	V-BELT, HB SECTION 123.230
12	06611200	3	KEY-SQ .250X.250X1.00 RC 40-50
13	05901813	3	BLT, HEX 0.375-16X2.75 GR8 ZCC
14	05901822	3	BLT, HEX 0.625-18X1.75 GR8 ZCC
15	06500901	12	NUT, FLG-CTR LK .375-16 GR5 ZC120
16	06445700	3	WSHR, BLVL-.63X1.625X.14

DECK, BELTS, BLADES, AND SPINDLES – 60"

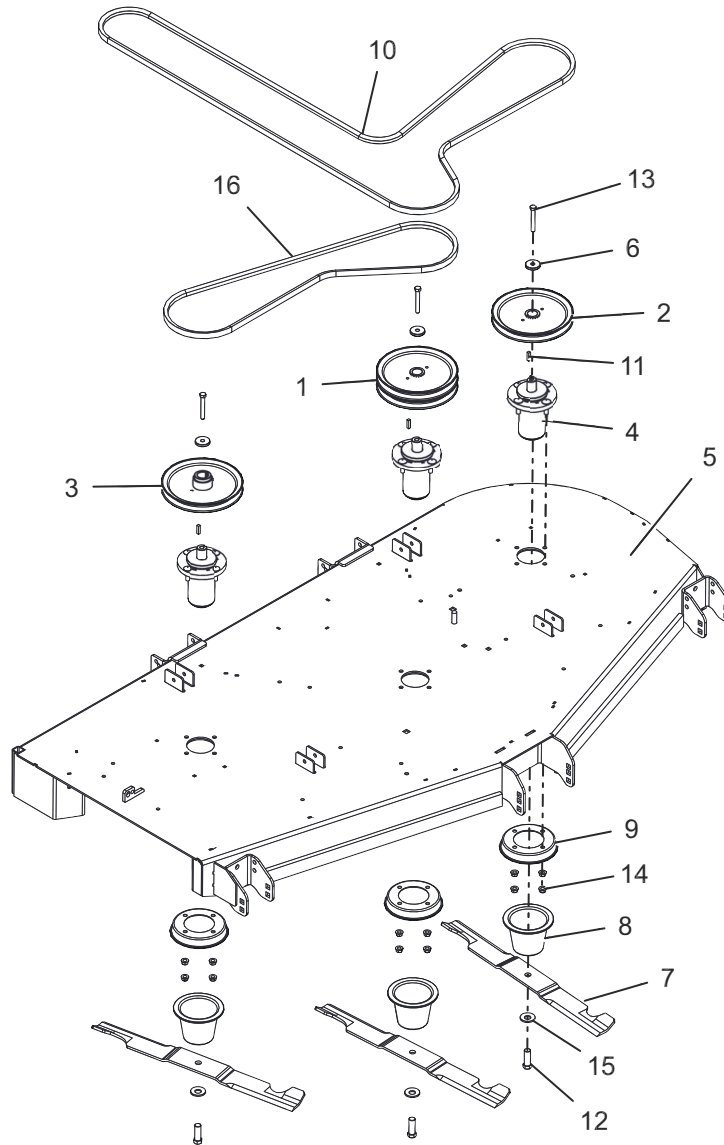
Models 992275, 278, 283



BOM ID	Number	Qty	Description
1	07328867	1	PULLEY, DOUBLE 1.000 ID X 6.750 OD-BLACK
2	07328967	1	PULLEY, V-1.000 ID X 6.750 OD
3	07340400	1	PULLEY, DOUBLE -1" ID X 6.75" & 5.25" OD
4	58810800	3	ASM, ALUM SPINDLE
5	59228000	1	WLDMT, 60" SIDE DISCH DECK (RED)
6	04530500	3	RETAINER, SHEAVE SPINDLE
7	05011500	3	GUARD, SPINDLE DEBRIS
8	05017000	3	SPINDLE, GUARD TOP
9	07200038	1	V-BELT, B-COGGED
10	07234600	1	V-BELT, HB WRAPPED
11	09081200	3	BLADE, MOWER (20.50")
12	06611200	3	KEY-SQ .250X.250X1.00 RC 40-50
13	05901813	3	BLT, HEX 0.375-16X2.75 GR8 ZCC
14	05901822	3	BLT, HEX 0.625-18X1.75 GR8 ZCC
15	06500901	12	NUT, FLG-CTR LK .375-16 GR5 ZC120
16	06445700	3	WSHR, BLVL-.63X1.625X.14

DECK, BELTS, BLADES, AND SPINDLES – 72"

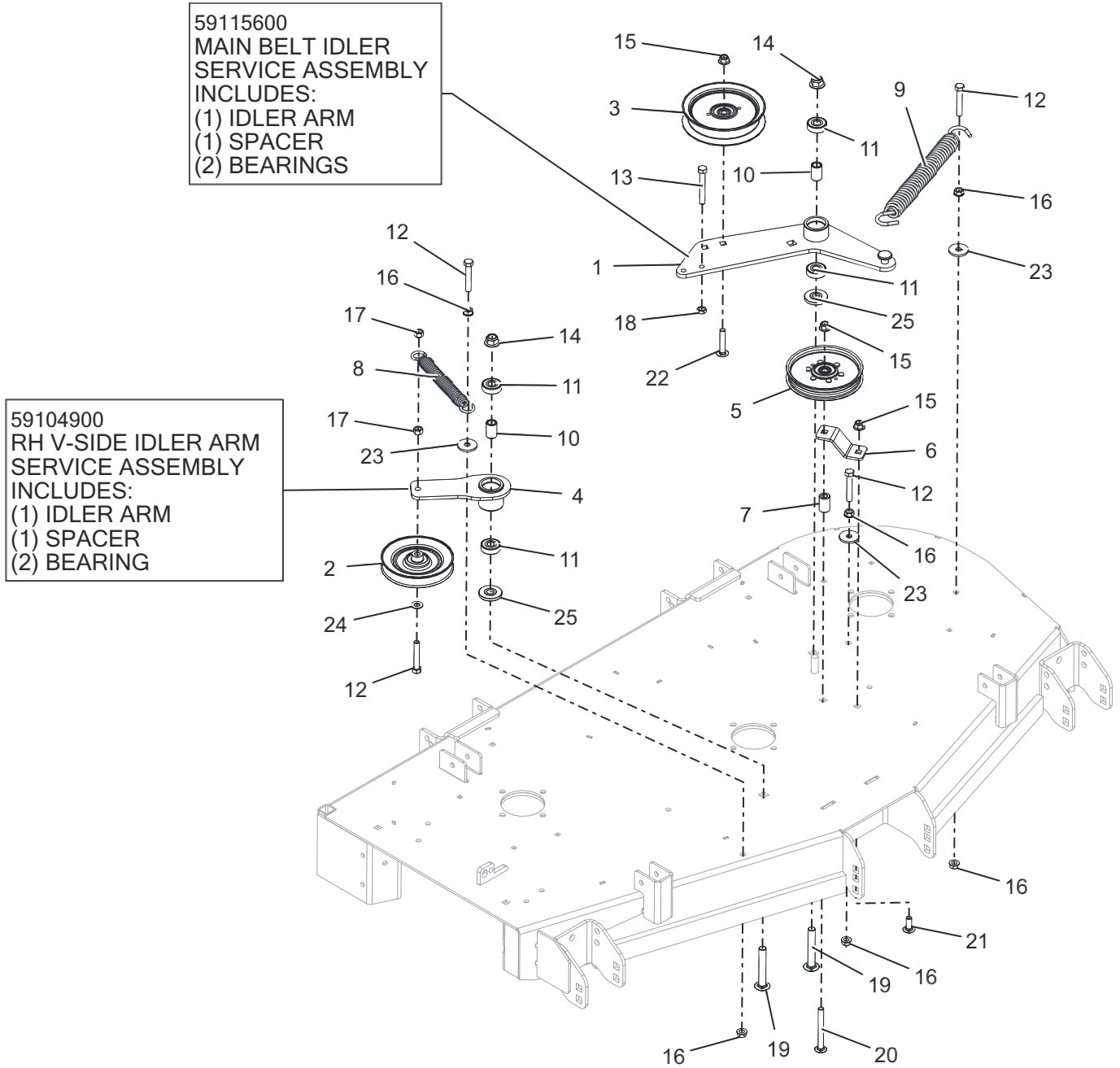
Models 992276, 284



BOM ID	Number	Qty	Description
1	07337667	1	SHEAVE-DOUBLE 1.00"ID X 8.25"OD
2	07337767	1	SHEAVE, SINGLE 1.00" X 8.25" OD
3	07340867	1	SHEAVE, SINGLE 1.00" ID X 8.25" OD
4	58810800	3	ASM, ALUM SPINDLE
5	59228100	1	WLDMT, 72" SIDE DISCHARGE DECK
6	04530500	3	RETAINER, SHEAVE SPINDLE
7	04774600	3	BLADE, 24.50" X .250" MOWER
8	05011500	3	GUARD, SPINDLE DEBRIS
9	05017000	3	SPINDLE, GUARD TOP
10	07200731	1	V-BELT, HB SECTION 132.3
11	06611200	3	KEY-SQ .250X.250X1.00 RC 40-50
12	05901822	3	BLT, HEX 0.625-18X1.75 GR8 ZCC
13	05901813	3	BLT, HEX 0.375-16X2.75 GR8 ZCC
14	06500901	12	NUT, FLG-CTR LK .375-16 GR5 ZC120
15	06445700	3	WSHR, BLVL-.63X1.625X.14
16	07200039	1	V-BELT, B-COGGED

IDLERS AND SHEAVES – 52"

Models 992273, 282



BOM ID	Number	Qty	Description
1	04985600	1	WLDMT, DECK PTO IDLR ARM
2	07340100	1	IDLER, V-5.00" W/.69 STANDOFF
3	07345600	1	IDLER, FLAT
4	09357200	1	WLDMT, DECK RH IDLER ARM
5	D28050	1	PULLEY, FLAT IDLER .500 X .375 W/BRG
6	04981853	1	BRKT, PTO FIXED IDLER MTG
7	05501308	1	BUSHING, SLV .380 X .750 X 1.190
8	08300507	1	SPRG, EXTENSION - SWIVEL
9	08300708	1	SPRG, EXTENSION
10	09357700	2	SPACER, .510 X .750 X 1.148
11	05408000	4	BRG-BALL .500X1.375X.44
12	05901640	4	BLT, HEX 0.375-16X2.25 GR5 ZC120
13	05901611	1	BLT, HEX 0.375-16X2.75 GR5 ZC120

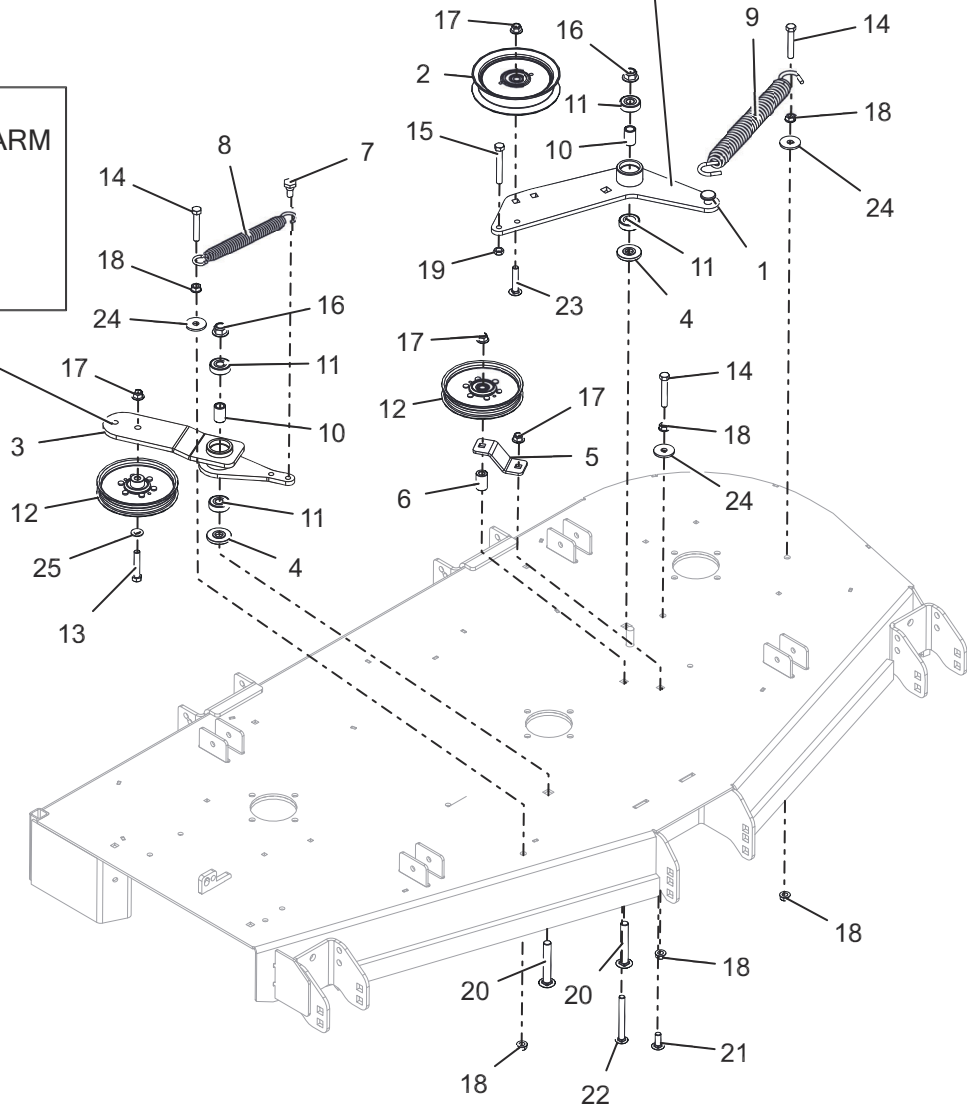
BOM ID	Number	Qty	Description
14	06500810	2	NUT, LK-NYL-FLG .50-13 GR5 ZC120
15	06500726	3	NUT, LK-NYL-FLG .38-16 GR5 ZC120
16	06500735	6	NUT, FLG-SPNLK .375-16 GR5 ZC120
17	06500825	2	NUT, HEX-CTR LK .375-16 GR5 ZCC
18	06500910	1	NUT-JAM .375-16 GR2 ZCC
19	06200339	2	BTL,RHSSN .500-13 X 3.25 G5 ZCC
20	06200238	1	BTL,RHSSN .375-16 X 3.5 G5 ZCC
21	06200235	1	BTL,RHSSN .375-16 X 1 G5 ZCC
22	06200323	1	BTL,RHSSN .375-16 X 2 G5 ZCC
23	06401121	3	WSHR-FL-STL 0.406X1.375X0.135 ZCC
24	06401013	1	WSHR-FL-STL 0.406X0.812X0.065 ZC120
25	04714600	2	SPCR, IDLER ARM

IDLERS AND SHEAVES – 60"

Models 992275, 278, 283

59115600
MAIN BELT IDLER
SERVICE ASSEMBLY
INCLUDES:
(1) IDLER ARM
(1) SPACER
(2) BEARINGS

59105000
RH BACK SIDE IDLER ARM
SERVICE ASSEMBLY
INCLUDES;
(1) IDLER ARM
(1) SPACER
(2) BEARING



BOM ID	Number	Qty	Description
1	04985600	1	WLDMT, DECK PTO IDLR ARM
2	07345600	1	IDLER, FLAT
3	09357600	1	WLDMT, DECK RH IDLER ARM
4	04714600	2	SPCR, IDLER ARM
5	04981853	1	BRKT, PTO FIXED IDLER MTG
6	05501308	1	BUSHING, SLV .380 X .750 X 1.190
7	07000034	1	BLT, SHLDR EP .38-16X.30 HEX
8	08300507	1	SPRG, EXTENSION - SWIVEL
9	08300708	1	SPRG, EXTENSION
10	09357700	2	SPACER, .510 X .750 X 1.148
11	05408000	4	BRG-BALL .500X1.375X.44
12	D28050	2	PULLEY, FLAT IDLER .500 X .375 W/BRG
13	05901718	1	BLT, HEX 0.375-16X2 GR5 ZC120

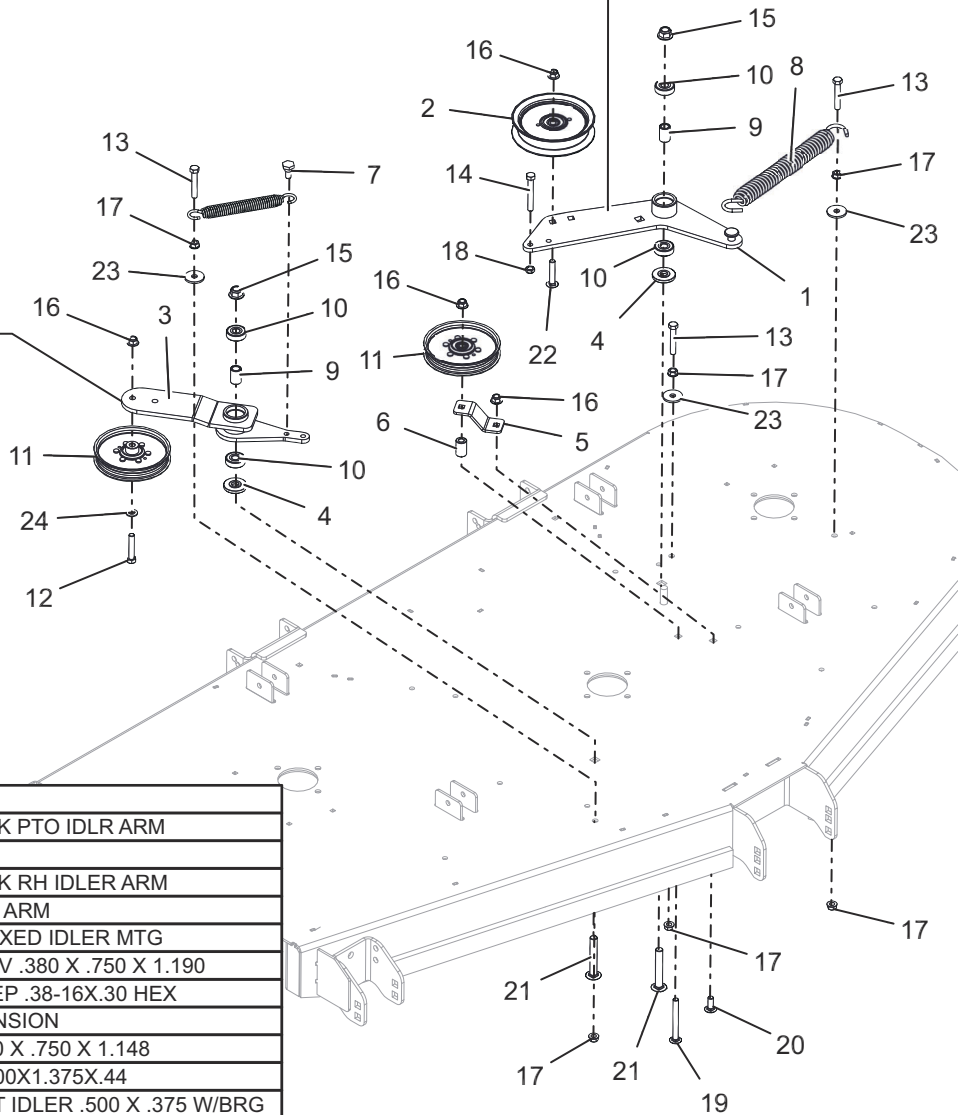
BOM ID	Number	Qty	Description
14	05901640	3	BLT, HEX 0.375-16X2.25 GR5 ZC120
15	05901611	1	BLT, HEX 0.375-16X2.75 GR5 ZC120
16	06500810	2	NUT, LK-NYL-FLG .50-13 GR5 ZC120
17	06500726	4	NUT, LK-NYL-FLG .38-16 GR5 ZC120
18	06500735	6	NUT, FLG-SPNLK .375-16 GR5 ZC120
19	06500910	1	NUT-JAM .375-16 GR2 ZCC
20	06200339	2	BTL,RHSSN .500-13 X 3.25 G5 ZCC
21	06200235	1	BTL,RHSSN .375-16 X 1 G5 ZCC
22	06200238	1	BTL,RHSSN .375-16 X 3.5 G5 ZCC
23	06200323	1	BTL,RHSSN .375-16 X 2 G5 ZCC
24	06401121	3	WSHR-FL-STL 0.406X1.375X0.135 ZCC
25	06401013	1	WSHR-FL-STL 0.406X0.812X0.065 ZC120

IDLERS AND SHEAVES – 72"

Models 992276, 284

59115600
MAIN BELT IDLER
SERVICE ASSEMBLY
INCLUDES:
(1) IDLER ARM
(1) SPACER
(2) BEARINGS

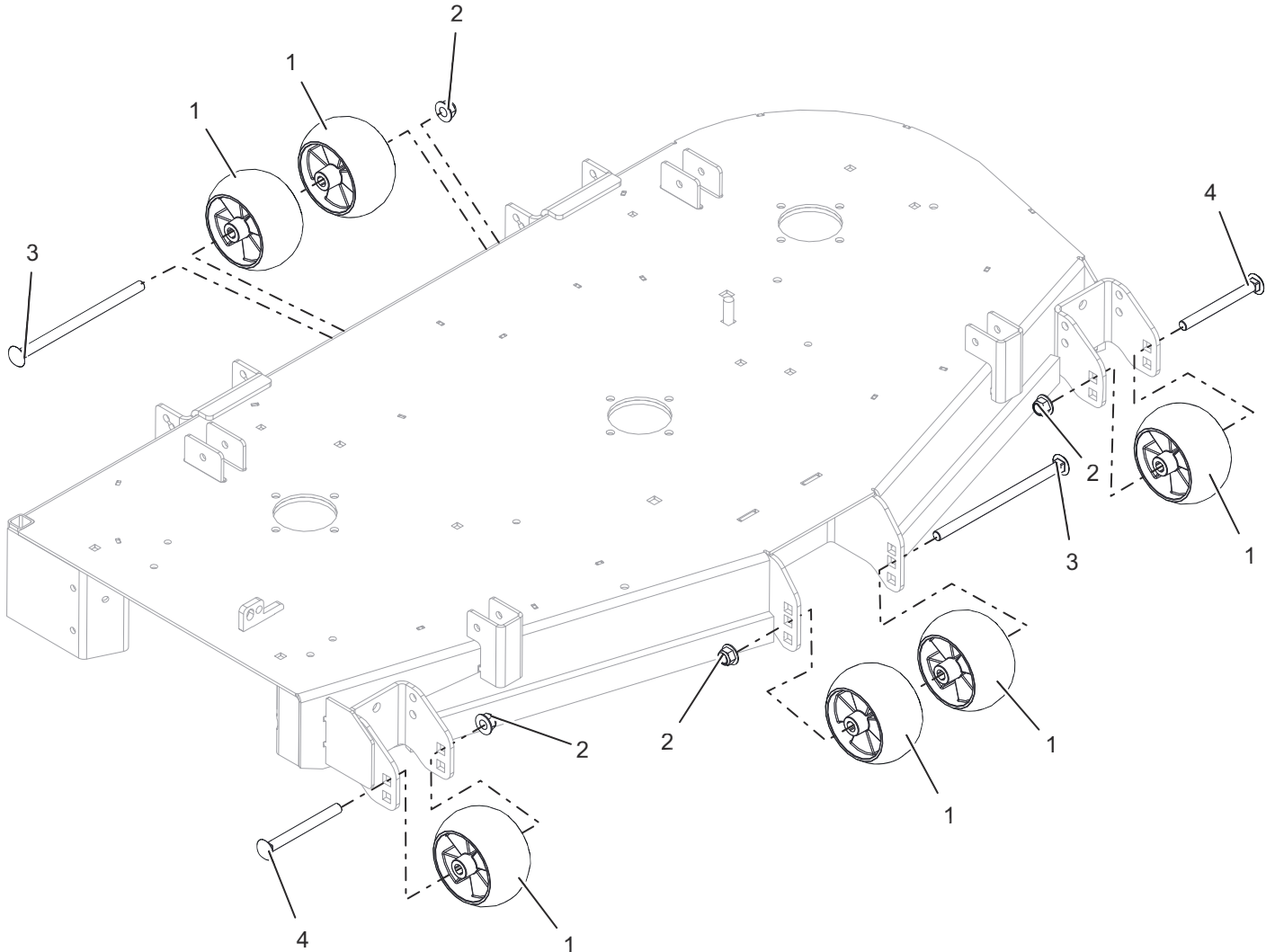
59105000
RH BACK SIDE IDLER ARM
SERVICE ASSEMBLY
INCLUDES:
(1) IDLER ARM
(1) SPACER
(2) BEARING



BOM ID	Number	Qty	Description
1	04985600	1	WLDMT, DECK PTO IDLR ARM
2	07345600	1	IDLER, FLAT
3	09357600	1	WLDMT, DECK RH IDLER ARM
4	04714600	2	SPCR, IDLER ARM
5	04981853	1	BRKT, PTO FIXED IDLER MTG
6	05501308	1	BUSHING, SLV .380 X .750 X 1.190
7	07000034	1	BLT, SHLDR EP .38-16X.30 HEX
8	08300708	1	SPRG, EXTENSION
9	09357700	2	SPACER, .510 X .750 X 1.148
10	05408000	4	BRG-BALL .500X1.375X.44
11	D28050	2	PULLEY, FLAT IDLER .500 X .375 W/BRG
12	05901718	1	BLT, HEX 0.375-16X2 GR5 ZC120
13	05901640	3	BLT, HEX 0.375-16X2.25 GR5 ZC120
14	05901611	1	BLT, HEX 0.375-16X2.75 GR5 ZC120
15	06500810	2	NUT, LK-NYL-FLG .50-13 GR5 ZC120
16	06500726	4	NUT, LK-NYL-FLG .38-16 GR5 ZC120
17	06500735	6	NUT, FLG-SPNLK .375-16 GR5 ZC120
18	06500910	1	NUT-JAM .375-16 GR2 ZCC
19	06200238	1	BTL,RHSSN .375-16 X 3.5 G5 ZCC
20	06200235	1	BTL,RHSSN .375-16 X 1 G5 ZCC
21	06200339	2	BTL,RHSSN .500-13 X 3.25 G5 ZCC
22	06200323	1	BTL,RHSSN .375-16 X 2 G5 ZCC
23	06401121	3	WSHR-FL-STL 0.406X1.375X0.135 ZCC
24	06401013	1	WSHR-FL-STL 0.406X0.812X0.065 ZC120

ANTI-SCALP WHEELS – 52" AND 60"

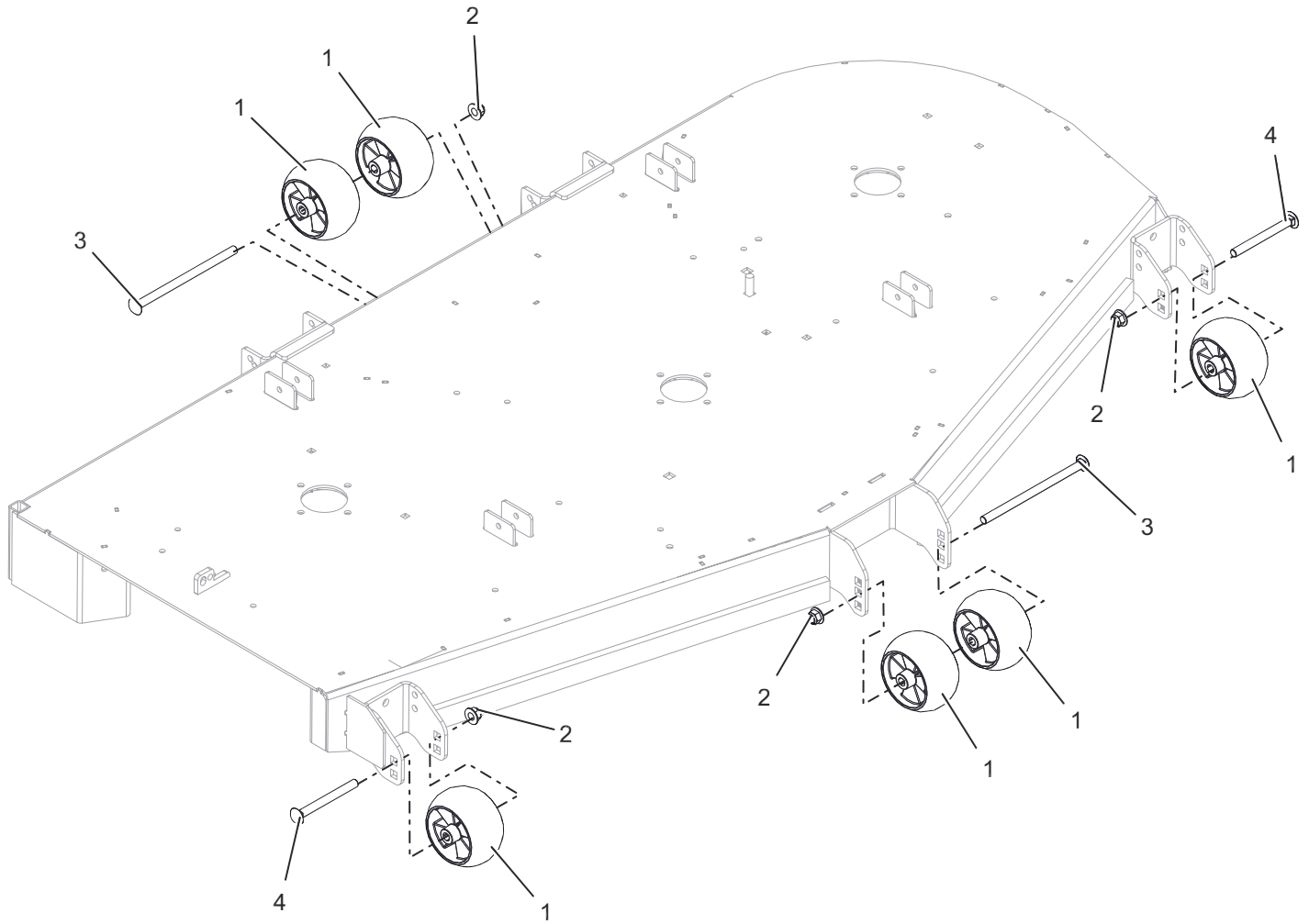
Models 992273, 275, 278, 282, 283



BOM ID	Number	Qty	Description
1	05268800	6	WHEEL, ANTI SCALP - 5X3 CTR W/RIBS
2	06500810	4	NUT, LK-NYL-FLG .50-13 GR5 ZC120
3	06200436	2	BTL,RHSN .500-13 X 8.5S G5 ZCC
4	06200318	2	BTL,RHSN .500-13 X 5 G5 ZCC

ANTI-SCALP WHEELS – 72"

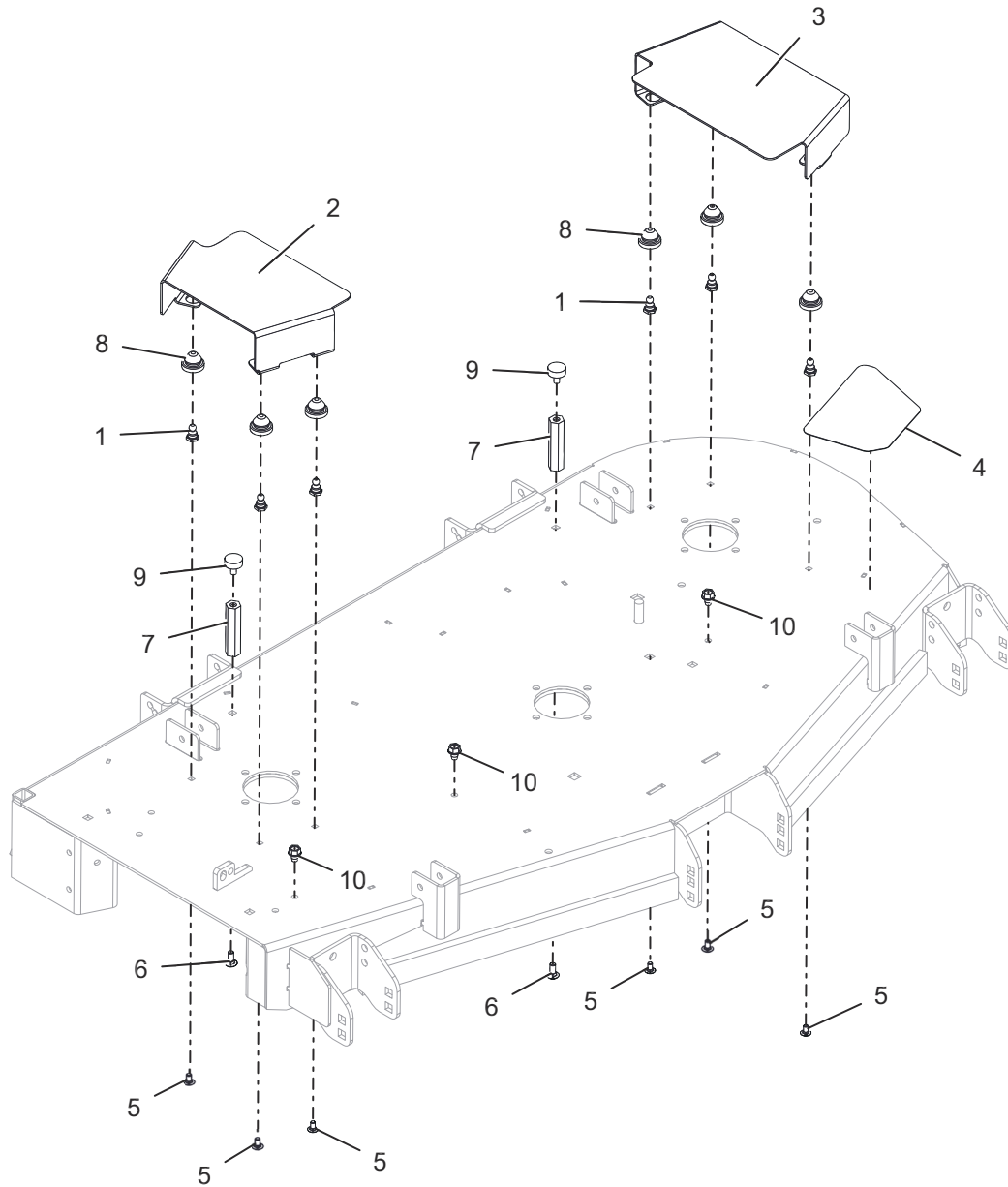
Models 992276, 284



BOM ID	Number	Qty	Description
1	05268800	6	WHEEL, ANTI SCALP - 5X3 CTR W/RIBS
2	06500810	4	NUT, LK-NYL-FLG .50-13 GR5 ZC120
3	06200436	2	BTL,RHSN .500-13 X 8.5S G5 ZCC
4	06200318	2	BTL,RHSN .500-13 X 5 G5 ZCC

BELT COVERS – 52" AND 60"

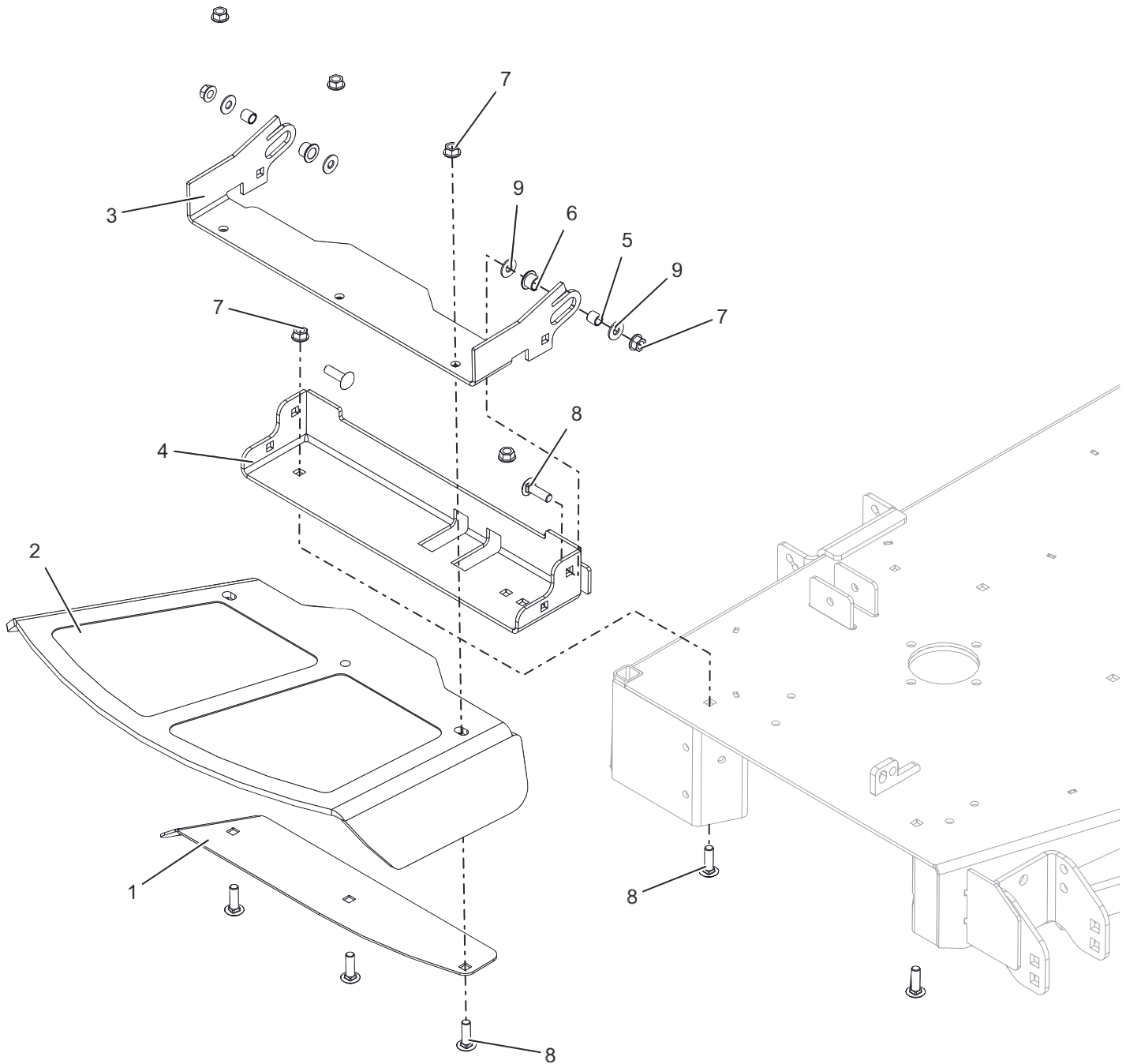
Model 992273, 275, 278, 282, 283



BOM ID	Number	Qty	Description
1	05275900	6	STUD, BALL FEMALE .250-20 THREAD
2	05276153	1	GUARD, RH DECK BELT (RED)
3	05286253	1	GUARD, LH DECK BELT (RED)
4	05286500	1	GRIP, STEP ANTI SKID
5	06200305	6	BTL,RHSSN .250-20 X 0.5 G5 ZCC
6	06200425	2	BTL,RHSN .313-18 X 0.75 G5 ZCC LT
7	07001832	2	NUT, COUPLING .312-18 X 3.250
8	07500429	6	COUPLING, RUBBER PUSH-IN
9	07533600	2	BUMPER, RUBBER
10	07400126	3	SCR-TAP .38-16X.500 HWH ZCC

CHUTE – 52" AND 60"

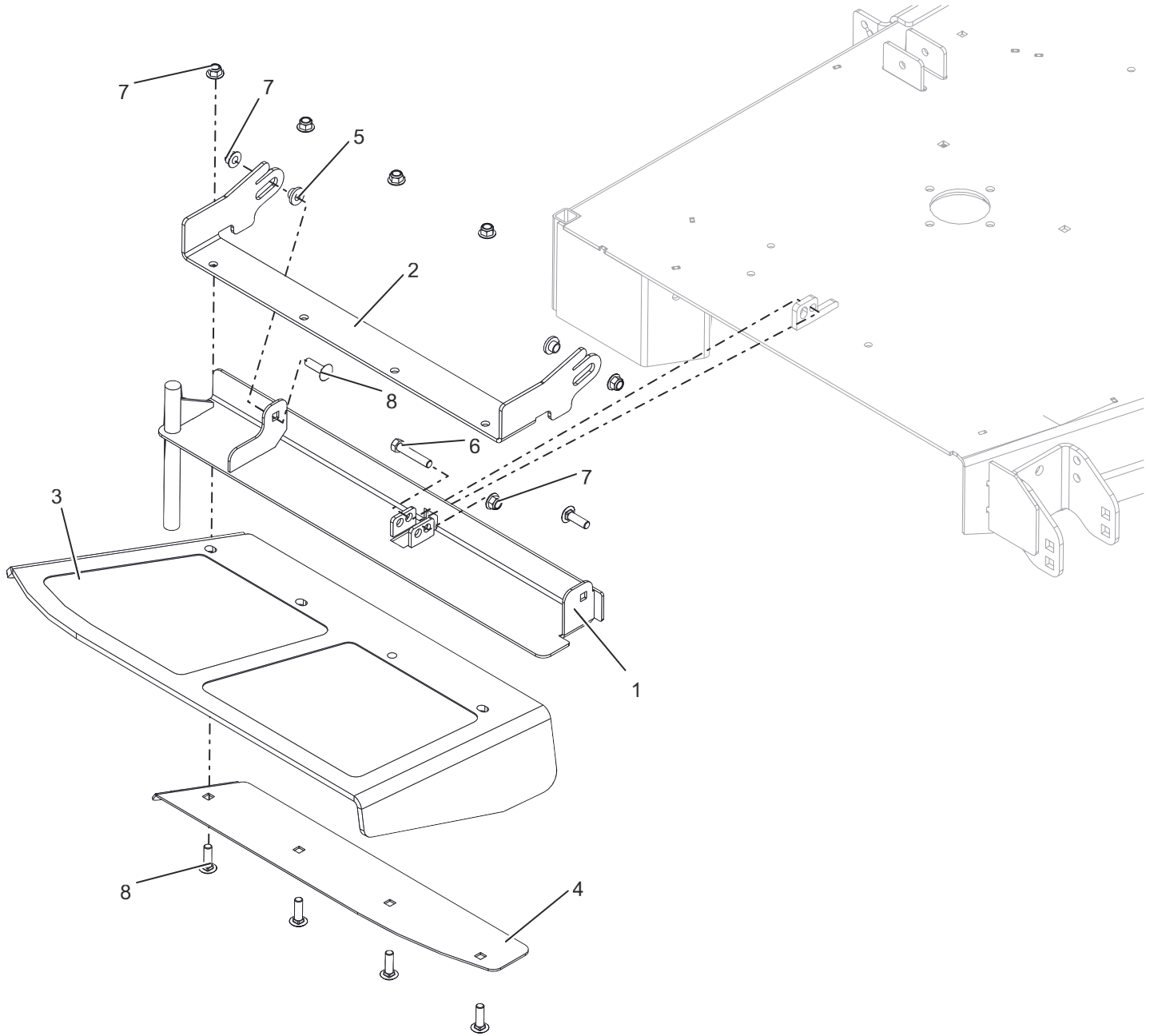
Model 992273, 275, 278, 282, 283



BOM ID	Number	Qty	Description
1	04873753	1	PLATE, 48-60" DISCH CHUTE CLAMP (RED)
2	05269900	1	CHUTE, FORMED RUBBER DISCHARGE
3	05270053	1	BRKT, CHUTE MOUNT (RED)
4	59116100	1	BASE, DISCHARGE CHUTE MTG BRKT (RED)
5	05501407	2	SPCR, .385X.500X.350
6	05501409	2	BSHG, FLANGED .50X.625X.50X.062
7	06500901	7	NUT, FLG-CTR LK .375-16 GR5 ZC120
8	06200236	7	BTL,RHSSN .375-16 X 1.25 G5 ZCC
9	06401138	4	WSHR, HDND 0.375X0.875X0.064 ZCC

CHUTE – 72"

Model 992276, 284



BOM ID	Number	Qty	Description
1	59225600	1	WLDMT, 72" DISCH CHUTE MOUNT - RED
2	04877153	1	BRKT, 72" CHUTE MTG - RED
3	04880900	1	CHUTE, 72" FORMED RUBBER DISCHARGE
4	04976153	1	PLATE, 72" DICH CHUTE CLAMP (RED)
5	05500435	2	BSHG, FLG .385 X .500 X .875 X .406
6	05901718	1	BLT, HEX 0.375-16X2 GR5 ZC120
7	06500726	7	NUT, LK-NYL-FLG .38-16 GR5 ZC120
8	06200236	6	BTL,RHSSN .375-16 X 1.25 G5 ZCC

NOTES



Ariens Company

655 West Ryan Street
Brillion, WI 54110

gravely.com



ARIENS|CO