



Sno-Thro[®]

Operator's Manual
Manuel du Utilisateur

ARIENS
THE KING OF SNOW

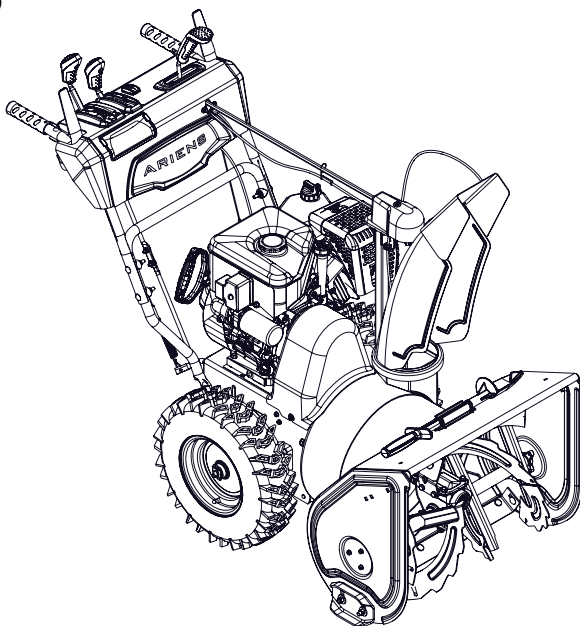
Platinum Series

Models

921050 – Platinum SHO 24
(SN 035000 +)

921051 – Platinum SHO 30
(SN 035000 +)

921057 – Platinum SHO 28 RapidTrak
(SN 000101 +)



EN ENGLISH

FR FRANÇAIS

05135900B • 7/18
Printed in USA

TABLE OF CONTENTS

| | | | |
|--|----|---|----|
| WELCOME | 1 | Stop the Engine | 13 |
| Register Your Product! | 1 | Transport Unit | 13 |
| SAFETY | 2 | MAINTENANCE | 13 |
| Practices & Laws | 2 | Service Position | 13 |
| Emission Control System | 2 | Maintenance Schedule | 14 |
| Required Operator Training | 2 | Service Parts | 14 |
| Safety Alert Symbol | 2 | Add Fuel Stabilizer | 14 |
| Signal Words | 2 | Check Dual Handle Interlock | 14 |
| Safety Decals | 3 | Check Fasteners | 14 |
| Safety Rules | 4 | Check Clutch Operation | 14 |
| CONTROLS & FEATURES | 8 | Check Tire Pressure | 14 |
| Engine Key | 9 | Check Engine Oil | 14 |
| Primer Bulb | 9 | Change Engine Oil | 15 |
| Fuel Valve | 9 | Check Auger Gearcase Oil | 15 |
| Electric Start Button | 9 | Lubricate Unit | 15 |
| Choke Control Knob | 9 | Lubricate Auger Shaft | 16 |
| Throttle Control Knob | 9 | ADJUSTMENTS | 17 |
| Speed Selector Lever | 9 | Adjust Scraper Blade | 17 |
| Attachment Clutch Lever (Right Side) .. | 10 | Adjust Skid Shoes | 17 |
| Traction Drive Clutch Lever (Left Side) | 10 | Replace Shear bolts | 18 |
| Dual Handle Interlock | 10 | Adjust Discharge Chute Deflector Lever | 18 |
| Discharge Chute Rotation Lever | 10 | Adjust Discharge Chute | 18 |
| Discharge Chute Deflector Lever | 10 | Adjust Speed Selector Lever | 19 |
| Heated Hand Grip Switch | 10 | Adjust Attachment Clutch & Brake | 19 |
| Scraper Blade | 10 | Adjust Traction Drive Clutch | 22 |
| Skid Shoe | 11 | Adjust Height Adjustment Cable | 23 |
| Auger | 11 | TROUBLESHOOTING | 24 |
| Impeller | 11 | STORAGE | 26 |
| Shear Bolt | 11 | Short Term | 26 |
| Auto-Turn™ Steering | 11 | Long Term | 26 |
| Height Adjustment Lever (Right Side) .. | 11 | Start-of-Season Fuel Preparation | 26 |
| OPERATION | 11 | ACCESSORIES | 26 |
| Emergency Stopping | 11 | SPECIFICATIONS | 27 |
| Before Operating Unit | 11 | WARRANTY | 28 |
| Start The Engine | 12 | | |
| Operate Unit | 12 | | |

WELCOME

Congratulations on your purchase and welcome to the Ariens family! Every snow thrower in the Ariens lineup is designed for long-lasting and unsurpassed performance. We are confident your machine will be part of your family for many years to come.

Have Questions or Need Assistance?

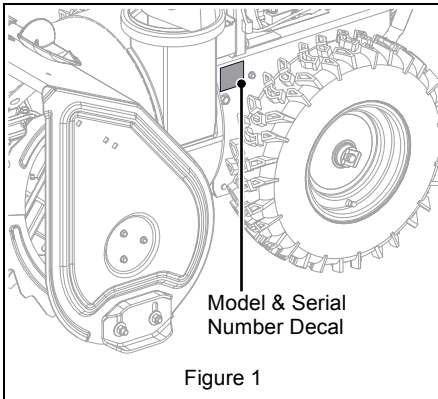
www.ariens.com

A service guide and a parts manual for your unit are available for free download or purchase at www.ariens.com.

REGISTER YOUR PRODUCT!

It is extremely important to register your product at time of purchase. Product registration activates the warranty and establishes a communication link from the Ariens Company.

Locate the model and serial number decal on your unit and register those numbers online at www.ariens.com. See Figure 1 for decal location. Be aware that the original selling dealer may have already completed product registration on behalf of the original purchaser.



Record model number here.

Record serial number here.

MANUALS

Before operating or servicing the unit, carefully and completely read the manuals provided with the unit. They contain safety instructions and important information about unit controls.

The engine on this unit is covered by a separate manual. Refer to the engine manual for engine service recommendations. Contact the engine manufacturer for a replacement manual if necessary.

It is your responsibility to read and understand all safety precautions and instructions in the manuals. If you do not understand or have difficulty following the instructions, contact your Ariens dealer for assistance. To locate your nearest Ariens dealer, go to www.ariens.com.

DISCLAIMER

Ariens reserves the right to discontinue, make changes to, and add improvements upon its products at any time without public notice or obligation. The descriptions and specifications contained in this manual were in effect at printing. Equipment described in this manual may be optional. Some illustrations may not be applicable to your unit.

SAFETY

Read these safety rules and follow them closely. Failure to follow these rules could lead to loss of control of unit, severe personal injury or death to you or bystanders, or result in damage to property or the machine.

PRACTICES & LAWS

Practice usual and customary safe working precautions. Learn applicable rules and laws in your area. Always follow the practices set forth in this manual.

EMISSION CONTROL SYSTEM

This equipment and/or its engine may include exhaust and evaporative emissions control system components required to meet U.S. Environmental Protection Agency (EPA) and/or California Air Resources Board (CARB) regulations. Tampering with emission controls and components by unauthorized personnel may result in severe fines or penalties. Emission controls and components can only be adjusted by an Ariens Company dealer or an authorized engine manufacturer's service center. Contact your Ariens Company Equipment Retailer concerning emission controls and component questions.

REQUIRED OPERATOR TRAINING



Read and understand the Operator's Manual and decals on the unit. This information is for your safety and the proper use of your equipment. Failure to follow these

instructions and warnings may cause death or serious injury. If you have purchased this product from an Ariens dealer, the dealer can provide you with training.

Familiarize yourself and any other operators with all controls and the safe use of the features of this unit. If you loan, rent or sell this product to others, provide them with all manuals.

If you have any questions, please call our customer support line at 920-756-4688 or contact us at www.ariens.com. Do not use this equipment if, after reading the Operator's Manual and the on-board decals, you have any questions about the safe use of this product.



WARNING: AVOID INJURY.

This snow thrower is capable of crushing or amputating body parts. Failure to observe the safety instructions in the manuals and on decals could result in serious injury or death.

ALWAYS disengage auger, stop unit and engine, remove key and allow moving parts to stop before leaving operator's position.

SAFETY ALERT SYMBOL



This is the safety alert symbol. It means:

- **ATTENTION!**
- **YOUR SAFETY IS INVOLVED!**

When you see this symbol:

- **BECOME ALERT!**
- **OBEY THE MESSAGE!**

SIGNAL WORDS

The safety alert symbol above and signal words below are used on decals and in this manual. Read and understand all safety messages.

1. Danger



DANGER: Indicates an **IMMINENTLY HAZARDOUS SITUATION!** If not avoided, **WILL RESULT** in death or serious injury.

2. Warning



WARNING: Indicates a **POTENTIALLY HAZARDOUS SITUATION!** If not avoided, **COULD RESULT** in death or serious injury.

3. Caution



CAUTION: Indicates a **POTENTIALLY HAZARDOUS SITUATION!** If not avoided, **MAY RESULT** in minor or moderate injury. It may also be used to alert against unsafe practices.

4. Notice

NOTICE: Indicates information or procedures that are considered important but not hazard related. If not followed, property damage could result.

5. Important

IMPORTANT: Indicates general reference information worthy of special attention.

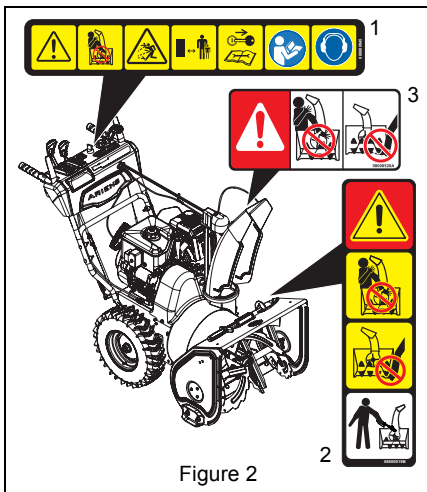
SAFETY DECALS

The safety decals on your machine are visual reminders of the important safety information in this manual. All messages on your unit must be fully understood and carefully followed. Safety decals on the machine are explained below.

Always replace missing or damaged safety decals. Replacement decal information is in the parts manual for your machine. Decals can be ordered from your dealer.

See Figure 2 for safety decal locations.

Safety Decal Locations



Safety Decal Descriptions

1. CAUTION!



Danger!



Only use clean-out tool to clear blockages. NEVER use your hands.



NEVER direct discharge towards persons or property that may be injured or damaged by thrown objects.



Keep people away from unit while operating. Keep children out of work area and under watchful care of a responsible adult.



Stop engine, remove key, and read manual before making any repairs or adjustments.



Read operator's manual.



Wear appropriate hearing protection.

2. DANGER!



Danger!



ROTATING PARTS! Only use clean-out tool to clear blockages. NEVER use your hands.



High-speed auger/impeller rotates below discharge opening. Wait for all moving parts to stop before removing clogs or servicing.



SAFETY RULES

The following safety instructions are based on the B71.3 specifications of the American National Standards Institute in effect at the time of production.

Training

Read, understand and follow all instructions on the machine and in the manual(s) before operating this unit. Be thoroughly familiar with the controls and the proper use of the equipment. Know how to stop the unit and disengage the controls quickly.

Never allow children to operate or play on or near the equipment. Never allow adults to operate the equipment without proper instruction.

Keep the area of operation clear of all persons, particularly small children. Be alert and shut off unit if children enter area.

Exercise caution to avoid slipping or falling, especially when operating the snow thrower in reverse.

Always remove key and/or wire from spark plug before assembly, maintenance or service. Unintentional engine start up can cause death or serious injury.

Complete a walk-around inspection of the unit to understand the unit, your work area and all safety decals.

Understand how to operate all controls, the functions of all controls and how to STOP in an emergency.

Preparation

Always check overhead and side clearances carefully before operation.

Always be aware of traffic when operating near streets or along curbs.

Thoroughly inspect the area where the equipment is to be used and remove all doormats, sleds, boards, toys, wires and other foreign objects.

Disengage all clutches and shift into neutral before starting the engine.

Use extension cords and receptacles as specified by the manufacturer for all units with electric drive motors or electric starting motors.

3. DANGER!



Danger!

ROTATING PARTS! Keep clear of auger while engine is running.

- Read operator's manual.
- Allow operation only by properly-trained adult, never children.
- Stop engine and remove ignition key prior to leaving the operator's position for any reason.
- Keep all controls, guards and safety devices properly serviced and functional.
- NEVER direct discharge towards persons or property that may be injured or damaged by thrown objects.



| |
|--|
| <p>Handle fuel with care; it is highly flammable.</p> <ul style="list-style-type: none"> • Use an approved fuel container. • Never add fuel to a running engine or hot engine. • Fill fuel tank outdoors with extreme care. Never fill fuel tank indoors. • Never fill containers inside a vehicle or on a truck or trailer bed with a plastic liner. Always place containers on the ground, away from your vehicle, before filling. • When practical, remove gas-powered equipment from the truck or trailer and refuel it on the ground. If this is not possible, then refuel such equipment on a trailer with a portable container, rather than from a gasoline dispenser nozzle. • Keep the nozzle in contact with the rim of the fuel tank or container opening at all times, until refueling is complete. Do not use a nozzle lock-open device. • Replace gasoline cap securely and wipe up spilled fuel. • If fuel is spilled on clothing, change clothing immediately. |
| Adjust the auger / impeller housing height to clear gravel or crushed rock surface. |
| Never attempt to make any adjustments while the engine is running (except when specifically recommended by manufacturer). |
| Always allow unit and engine to adjust to outdoor temperature before clearing snow. |

| |
|---|
| Operation |
| Disengage all controls before starting engine. |
| Never leave a running unit unattended. Always stop engine and remove key before leaving unit to prevent unauthorized use. |
| Do not put hands or feet near or under rotating parts. Keep clear of the discharge opening at all times. |
| Moving and/or rotating parts can cut off body parts such as fingers or a hand. NEVER place your hands, other body part or clothing near any moving parts while unit is running. |
| Always keep hands away from all pinch points. |
| Do not touch parts which might be hot from operation. Allow parts to cool before attempting to maintain, adjust or service. |

| |
|---|
| Thrown objects can cause injury. Check for weak spots on docks, ramps or floors. Avoid uneven work areas and rough terrain and stay alert for hidden hazards. |
| Exercise extreme caution when operating on or crossing gravel drives, walks or roads. Stay alert for hidden hazards or traffic. |
| After striking a foreign object, stop the engine, remove the wire from the spark plug, disconnect the cord on electric motors, thoroughly inspect the snow thrower for any damage, and repair the damage before restarting and operating the snow thrower. |
| If the unit should start to vibrate abnormally, stop the engine and check immediately for the cause. Vibration is generally a warning of trouble. |
| Stop the engine whenever you leave the operating position, before unclogging the auger / impeller housing or discharge chute, and when making any repairs, adjustments or inspections. |
| When cleaning, repairing or inspecting the snow thrower, stop the engine and make certain the auger / impeller and all moving parts have stopped. Disconnect the spark plug wire and keep the wire away from the plug to prevent someone from accidentally starting the engine. |
| Do not run the engine indoors, except when starting the engine and for transporting the snow thrower in or out of the building. Open the outside doors; exhaust fumes are dangerous. |
| Never operate the snow thrower without proper guards, and other safety protective devices in place and working. |
| Always stand clear of the discharge area when operating this unit. |
| Never direct the discharge toward people or areas where injury or property damage can occur from thrown objects. Keep children and others away. |
| Do not overload the machine capacity by attempting to clear snow at too fast a rate. |
| Never operate the machine at high transport speeds on slippery surfaces. Look behind and use care when operating in reverse. |
| Do not operate in reverse unless absolutely necessary. Always back up slowly and look down and behind before and while backing. |
| Do not carry passengers. |

| |
|---|
| Disengage attachment when not in use and when traveling from one work area to another. |
| Disengage power to the auger / impeller when snow thrower is transported or not in use. |
| Use only attachments and accessories approved by the manufacturer of the snow thrower (such as wheel weights, counterweights or cabs). |
| This product is equipped with an internal combustion engine. Do not use unit on or near any unimproved, forest-covered or brush-covered land unless exhaust system is equipped with a spark arrester meeting applicable local, state or federal laws. A spark arrester, if used, must be maintained in effective working order by operator. |
| Never operate the snow thrower without good visibility or light. Always be sure of your footing, and keep a firm hold on the handles. Walk; never run. |
| Never operate unit after or during the use of medication, drugs or alcohol. Safe operation requires complete and unimpaired attention at all times. |
| Never allow anyone to operate this unit when their alertness or coordination is impaired. |
| Never touch a hot engine or muffler. |
| Avoid contact with sharp edges; sharp edges can cut. |
| Do not throw snow higher than necessary. |

| |
|--|
| Clearing a Clogged Discharge Chute |
| Hand contact with the rotating auger / impeller inside the discharge chute is the most common cause of injury associated with snow throwers. Never use your hand to clean out the discharge chute. |
| To clear the chute: 1. SHUT THE ENGINE OFF! 2. Wait 10 seconds to be sure the auger / impeller blades have stopped rotating. 3. Always use a clean-out tool, not your hands. |

| |
|--|
| Maintenance and Storage |
| Secure unit so it will not tip over during maintenance. |
| Before cleaning, removing clogs or making any inspections, repairs, etc., disengage clutch(es), stop engine, remove key, allow moving parts to stop and hot parts to cool. |
| Check shear bolts and other bolts at frequent intervals for proper tightness to be sure the equipment is in safe working condition. |
| Check clutch and brake operation frequently. |
| Do not change engine governor settings and do not over-speed engine. |
| Adjust and service as required. Motion of drive wheels and auger / impeller must stop quickly when clutch levers are released. |
| Always maintain unit in safe operating condition. Damaged or worn out muffler can cause fire or explosion. |
| Keep unit free of ice or other debris. Clean up oil or fuel spills. |
| Always keep protective structures, guards, and panels in good repair and secured in place. Never modify or remove safety devices. |
| Never store the machine with fuel in the fuel tank inside a building where ignition sources are present such as hot water heaters, space heaters or clothes dryers. Close fuel valve and allow the engine to cool completely before storing in any enclosure or covering the unit. |
| Always refer to operator's manual for important details if the snow thrower is to be stored for an extended period. |
| Maintain or replace safety and instruction labels as necessary. |
| Run the machine a few minutes after throwing snow to prevent freeze-up of the auger / impeller. |

| Personal Protection |
|--|
| Do not operate the equipment without wearing adequate winter garments. Avoid loose fitting clothing that can get caught in moving parts. Wear footwear that will improve footing on slippery surfaces. |
| Wear adequate safety gear, including safety glasses with side shields and protective gloves. |
| Do not wear loose clothing or jewelry, and tie back hair that may get caught in rotating parts. |
| NEVER attempt to unclog or clean unit while engine is running. Rotating auger / impeller can cause serious injury. |
| Protect eyes, face and head from objects that may be thrown from unit. Wear appropriate hearing protection. |
| Always wear safety glasses or eye shields during operation or while performing an adjustment or repair to protect eyes from foreign objects that may be thrown from the machine. |

| Slope Operation |
|---|
| Exercise extreme caution when operating on slopes. DO NOT operate on steep slopes. DO NOT clear snow across the face of slopes; go up and down. Keep all movement on slopes slow and gradual. |
| Use a slow speed to avoid stops or shifts on slopes. Avoid starting or stopping on a slope. Do not park unit on a slope unless absolutely necessary. When parking on a slope always block the wheels. |
| Do not operate near drop-offs, ditches, or embankments. Unit can suddenly turn over if a wheel is over the edge of a cliff or ditch, or if an edge caves in. |

| Fuel |
|--|
| DO NOT run engine in an enclosed area. Always provide good ventilation. Fumes from engine exhaust can cause injury or death. |
| Fuel is highly flammable and its vapors are explosive. Handle with care. Use only an approved gasoline container with an appropriately-sized dispensing spout. |
| No smoking, no sparks, no flames. Always allow engine to cool before servicing. |
| Never fill fuel tank when engine is running or hot from operation. |

| |
|--|
| Never fill or drain fuel tank indoors. |
| Replace fuel cap securely and clean up spilled fuel. |
| Never fill fuel containers inside a vehicle or on a truck or trailer bed with a plastic liner. Always place containers on the ground away from your vehicle before filling. |
| When practical, remove gas-powered equipment from the truck or trailer and refuel it on the ground. If this is not possible, then refuel on a trailer with a portable container, rather than from a gasoline dispenser nozzle. |
| Keep the nozzle in contact with the rim of the fuel tank or container opening at all times until fueling is complete. Do not use a nozzle lock-open device. |
| If fuel is spilled on clothing, change clothing immediately. |
| Properly remove fuel before tipping unit up onto housing to avoid spills. |

| Towing/Transporting |
|--|
| Always stop engine, remove key and close fuel valve or drain fuel when transporting unit on a truck or trailer. |
| Use extra care when loading or unloading unit onto trailer or truck. Secure unit chassis to transport vehicle. Never secure from rods or linkages that could be damaged. Do not transport machine while engine is running. |

| Accessories |
|---|
| Use only Ariens Company-recommended attachments or accessories that are designed for your unit and that are appropriate to your use and can be used safely in your application. |

CONTROLS & FEATURES

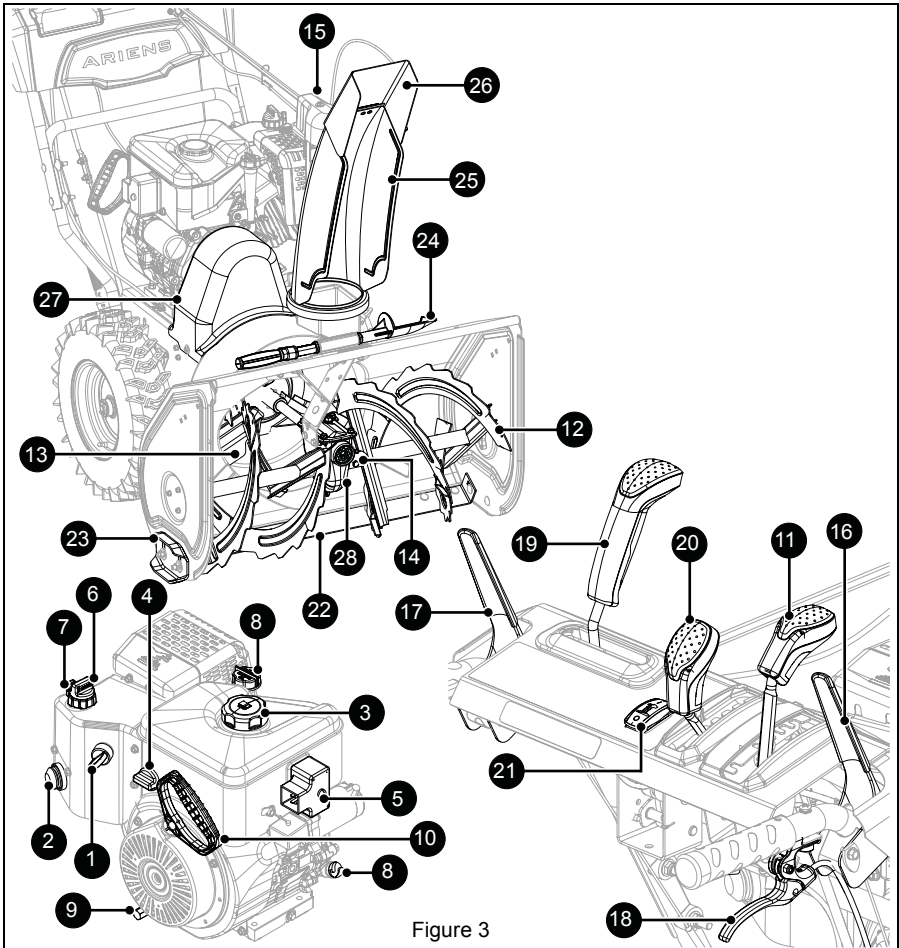


Figure 3

- | | |
|---------------------------------|--|
| 1. Engine Key | 16. Attachment Clutch Lever |
| 2. Primer Bulb | 17. Traction Drive Clutch Lever |
| 3. Fuel Tank and Cap | 18. Height Adjustment Lever (Model 921057) |
| 4. Fuel Valve | 19. Discharge Chute Rotation Lever |
| 5. Electric Start Button | 20. Discharge Chute Deflector Lever |
| 6. Choke Control Knob | 21. Heated Hand Grip Switch |
| 7. Throttle Control Knob | 22. Scraper Blade |
| 8. Oil Fill / Dipstick | 23. Skid Shoe (2) |
| 9. Oil Drain | 24. Snow Clean-out Tool |
| 10. Recoil Starter Handle | 25. Discharge Chute |
| 11. Speed Selector Lever | 26. Discharge Chute Deflector |
| 12. Auger | 27. Belt Cover |
| 13. Impeller | 28. Gearcase |
| 14. Shear Bolt (2) | |
| 15. Replacement Shear Bolts (2) | |



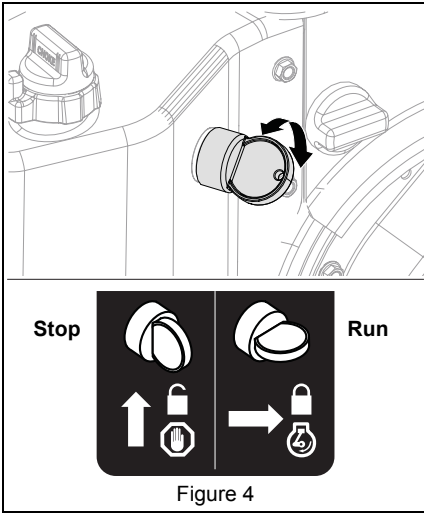
WARNING: Read and understand the *Safety* section before proceeding.

See Figure 3 for all controls and features locations.

ENGINE KEY

See Figure 4.

Controls power to the engine. The key cannot be removed when in run position.



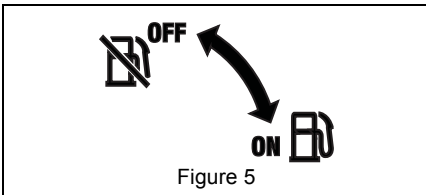
PRIMER BULB

Adds fuel to engine for easier start on cold engines.

FUEL VALVE

See Figure 5.

Controls fuel flow to the engine.



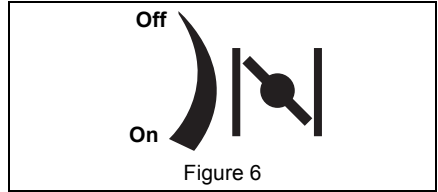
ELECTRIC START BUTTON

Starts a correctly choked engine.

CHOKE CONTROL KNOB

See Figure 6.

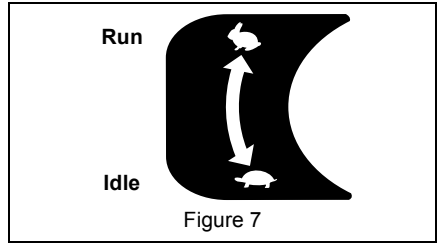
Controls airflow to the engine.



THROTTLE CONTROL KNOB

See Figure 7.

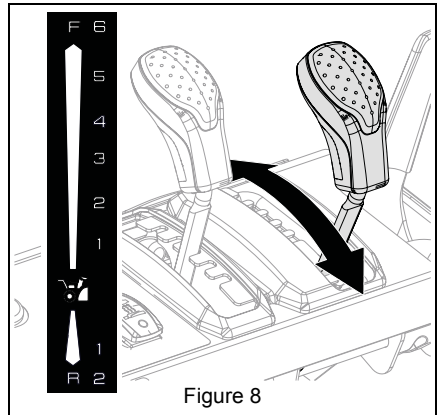
Controls engine speed.



SPEED SELECTOR LEVER

See Figure 8.

Controls the speed of forward and reverse travel.



ATTACHMENT CLUTCH LEVER (RIGHT SIDE)

See Figure 9.

Controls auger / impeller movement.

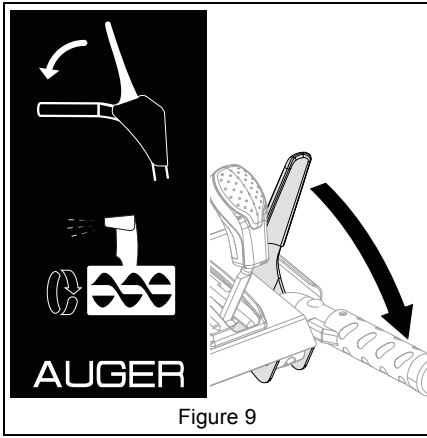


Figure 9

TRACTION DRIVE CLUTCH LEVER (LEFT SIDE)

See Figure 10.

Allows unit to travel forward and in reverse.

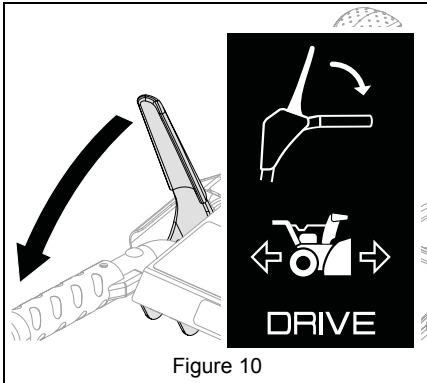


Figure 10

DUAL HANDLE INTERLOCK

Allows auger / impeller to rotate without holding attachment clutch lever continuously. Auger continues to turn until both clutch levers are released.

DISCHARGE CHUTE ROTATION LEVER

See Figure 11.

Rotates discharge chute to control snow discharge. Pull lever back to unlock chute, move lever left or right to desired position, and then push lever forward to lock chute in place.

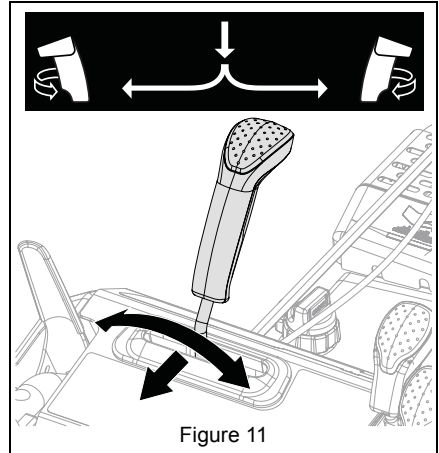


Figure 11

DISCHARGE CHUTE DEFLECTOR LEVER

See Figure 12.

Moves discharge deflector up or down to control height of snow discharge.

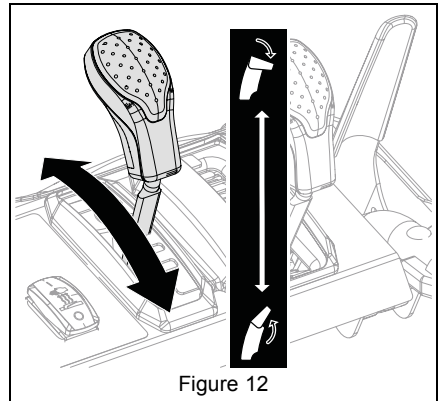


Figure 12

HEATED HAND GRIP SWITCH

Turns the heated hand grips on and off.

SCRAPER BLADE

Contacts the surface being cleared and protects the housing from damage during normal use.

SKID SHOE

Controls the distance between the scraper blade and the surface.

AUGER

Rotates to bring snow into impeller.

IMPELLER

Throws snow out discharge chute.

SHEAR BOLT

Secures auger to shaft and helps prevent gearcase and gearcase component damage.

AUTO-TURN™ STEERING

Automatically locks or unlocks wheels to allow unit to turn more precisely.

HEIGHT ADJUSTMENT LEVER (RIGHT SIDE)

Model 921057

See Figure 13.

Raises or lowers auger housing for various snow-clearing situations.

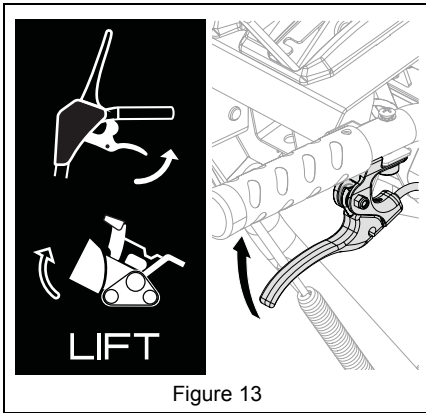


Figure 13

OPERATION



WARNING: AVOID INJURY.
Read and understand the *Safety* section before proceeding.

IMPORTANT: All references to left, right, front or rear are given from the perspective of operator in operator's position, facing the direction of forward travel.

EMERGENCY STOPPING

1. Release both clutch levers.
2. Turn engine key to stop position and remove key.
3. Wait for all moving parts to stop before leaving operator's position.

BEFORE OPERATING UNIT

IMPORTANT: Register your product! See *Register Your Product!* on page 1.

1. Check for a frozen impeller.
 - a. Remove key.
 - b. Engage attachment clutch lever and pull recoil starter handle.
 - c. If handle does not pull, move unit to a warm area to thaw.
2. Check fuel level and add fuel if needed.

IMPORTANT: Use fresh unleaded fuel with an octane rating of at least 87. DO NOT use E85 blended fuels; the engine is not E20 / E30 / E85 compatible. The maximum recommended ethanol content is 10%. Ariens recommends using a quality fuel stabilizer in all fuel. See *Short Term* on page 26.

3. Check engine oil level and add oil if needed. Refer to engine manual.
4. Check function of controls.
 - Attachment Clutch Lever
 - Traction Drive Clutch Lever
 - Dual Handle Interlock
5. Know how to stop in an emergency. See *Emergency Stopping* on page 11.

START THE ENGINE

1. *Electric Start:* Connect power cord to starter and then into 120V 3-wire grounded outlet.

IMPORTANT: Use a power cord that is UL listed or CSA certified, rated for a minimum of 13 amps, grounded and labeled as suitable for outdoor use.

All Models

2. Turn fuel valve to On position.
3. Insert engine key and turn to run position.
4. *Cold Engines Only:* Press primer bulb 3 times.
5. Turn choke control knob to On position.
6. Turn throttle control knob to run position.
7. *Electric Start:* Press electric start button located on starter.

NOTICE: DO NOT run starter more than 10 times at intervals of 5 seconds on / 5 seconds off or overheating and damage may occur.

8. *Recoil Start:* Pull recoil starter handle.
 - a. Grasp handle and pull rope out slowly until it pulls harder.
 - b. Pull handle firmly and quickly with a rapid, continuous full-arm stroke. Repeat until engine starts. If engine does not start, see *Troubleshooting* on page 24.
 - c. Let handle rewind slowly after engine starts. DO NOT let handle snap against engine.
9. Gradually turn choke off as engine warms.
10. *Electric Start:* Disconnect power cord from outlet and then from starter.

OPERATE UNIT

1. Rotate discharge chute and move deflector to desired positions.
2. Select desired speed.
3. Engage attachment clutch.

NOTICE: Stop auger when traveling between work areas.

4. Engage traction drive clutch.

NOTICE: Release lever before changing speed.

IMPORTANT: When the unit is turned left or right, the Auto-Turn™ differential automatically unlocks wheels for easier turning. On a straight path, the differential locks both wheels in place for best traction.

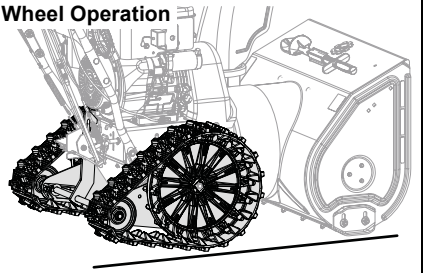
Adjust Track Angle

Model 921057

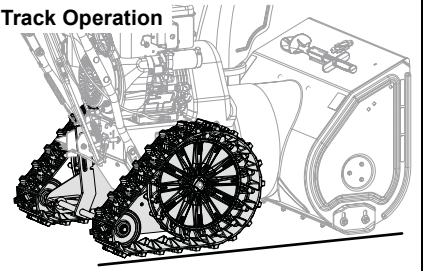
See Figure 14.

- *Wheel Operation:* Allows for maximum maneuverability and ease of turning for locations not requiring high traction. Squeeze height adjustment lever and push down on handlebar. Release lever to latch rear track idlers in raised position.
- *Track Operation:* Allows for maximum traction and keeps auger housing level when clearing deep or wet snow. Squeeze and release height adjustment lever.
- *Digger Operation:* Clears packed snow. Squeeze height adjustment lever and lift up on handlebar. Release lever to latch rear track idlers in lowered position.

Wheel Operation



Track Operation



Digger Operation

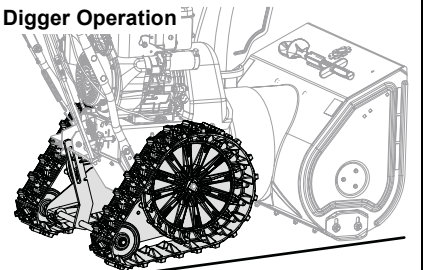


Figure 14

Clear a Clogged Discharge Chute



WARNING: NEVER use your hand to clean out discharge chute.

1. Stop engine, remove key and wait for all moving parts to stop and for hot parts to cool.
2. Use the snow clean-out tool to clear the clog.
3. Return the tool to its storage position on the auger housing.

STOP THE ENGINE

1. Release traction drive clutch lever.
2. Run auger / impeller for a few minutes to remove loose or melting snow to prevent impeller from freezing.
3. Release attachment clutch lever.
4. Turn throttle control knob to the slow position.
5. Turn engine key to stop position and remove key.
6. Turn fuel valve to off position.

TRANSPORT UNIT

1. Stop engine, remove key and close fuel valve.
2. Secure unit chassis to transport vehicle.

NOTICE: NEVER secure from rods or linkages that could be damaged.

MAINTENANCE



WARNING: Read and understand the *Safety* section before proceeding.

Your Ariens dealer can provide service and adjustments to keep your unit operating at peak efficiency. Contact an authorized engine manufacturer's service center for engine service.

SERVICE POSITION

See Figure 15.



WARNING: AVOID INJURY. Properly remove fuel before tipping unit up onto housing to avoid spills. (Refer to engine manual for instructions.) Make sure unit is secure and will not tip.

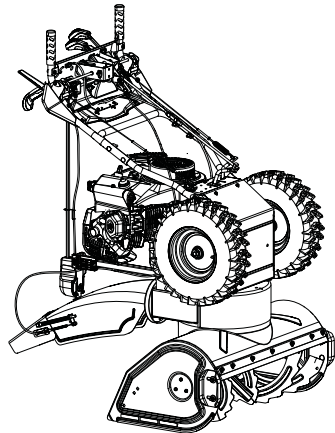


Figure 15

MAINTENANCE SCHEDULE

| Service Performed | Each Use | Every 5 hrs. | Every 25 hrs. | Annually | As Needed |
|--|----------|--------------|---------------|----------|-----------|
| Add Fuel Stabilizer * | | | | | |
| Check Attachment Drive Clutch Operation | • | | | | |
| Check Traction Drive Clutch Operation | • | | | | |
| Check Dual Handle Interlock | • | | | | |
| Check Fasteners | • | | | | |
| Check Tire Pressure (Models 921050, 921051) | | | • | • | |
| Check Engine Oil ** | • | | | | |
| Change Engine Oil ** | | | | • | • |
| Replace Spark Plug ** | | | | | • |
| General Lubrication | | | • | • | |
| Check Auger Gearcase Oil | | | • | • | |
| * See <i>Add Fuel Stabilizer</i> on page 14. | | | | | |
| ** Refer to engine manual for instructions. | | | | | |

SERVICE PARTS

See your Ariens dealer to purchase service parts for your unit.

| Description | Part No. |
|----------------------------------|----------|
| Ariens Hi-Temp Grease | |
| • 97 ml (3 oz.) cartridges (3) | 00036800 |
| • 414 ml (14 oz.) cartridge (1) | 00036700 |
| Ariens L3 Lube – 237 ml (8 oz) | 00068800 |
| Shear Bolt and Nut | 52100100 |
| Fuel Stabilizer – 118 ml (4 oz.) | |
| • Except Canada | 04730400 |
| • For Canada Only | 04742500 |
| Gearcase Seal Washer | 06400920 |
| 20 Watt Headlight Bulb | 00432600 |
| Ariens 5W-30 Engine Oil | |
| • 473 ml (16 oz.) | 00091000 |
| • 946 ml (32 oz.) | 00067600 |

ADD FUEL STABILIZER

Add fuel stabilizer to gasoline at time of purchase to help ensure the best performance over the life of that fuel. See *Short Term* on page 26.

CHECK DUAL HANDLE INTERLOCK

1. Stop engine.
2. Engage attachment clutch and then the traction drive clutch.
3. Release the attachment clutch lever. The attachment clutch should stay engaged until the traction drive clutch lever is released.

IMPORTANT: If dual handle interlock does not operate correctly, adjust or repair as directed in the service guide for your unit.

CHECK FASTENERS

Check for loose hardware.

CHECK CLUTCH OPERATION

- Auger / impeller must stop within 5 seconds when attachment clutch lever is released.
- Wheels must stop quickly when traction drive clutch lever is released.

IMPORTANT: If clutches do not engage or disengage correctly, see *Adjust Attachment Clutch & Brake* on page 19 or *Adjust Traction Drive Clutch* on page 22. Refer to the service guide for your unit for more information about clutch repairs.

CHECK TIRE PRESSURE

Models 921050, 921051

Keep tires inflated to pressure listed on tire sidewall.



WARNING: AVOID INJURY.

Explosive separation of tire and rim parts is possible.

- DO NOT inflate tires above the recommended pressure.
- DO NOT inflate tires with a compressor; use a hand pump.
- DO NOT stand in front of tire assembly when inflating. Use a clip-on chuck and extension hose long enough to allow you to stand to one side.
- DO NOT mount a tire without proper equipment and experience.

CHECK ENGINE OIL

NOTICE: Engine oil level must be maintained at correct level or engine damage may occur. Refer to engine manual.

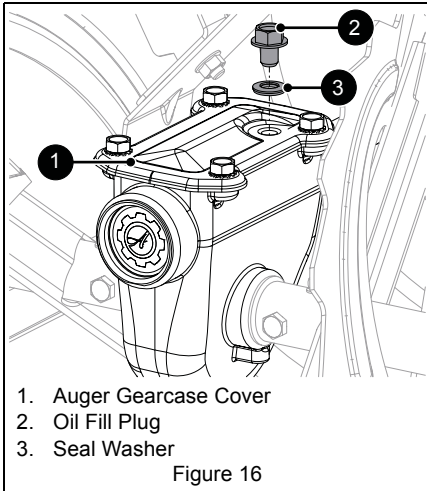
CHANGE ENGINE OIL

Refer to engine manual.

CHECK AUGER GEARCASE OIL

1. Place unit on flat, level surface.
2. Remove oil fill plug and seal washer. See Figure 16.

IMPORTANT: DO NOT remove gearcase cover.



3. Check oil level with suitable measuring device, such as a clean screwdriver, and add oil if needed. Oil level must be 6.1 cm – 6.7 cm (2.4" – 2.6") from the flat surface of the gearcase cover.

IMPORTANT: Ariens recommends using only Ariens L3 synthetic severe duty gear lube (see *Service Parts* on page 14). Using other lubricants will not automatically void unit warranty, but the warranty will not cover damage caused by using unauthorized lubricants.

4. Inspect seal washer for wear or rubber deterioration and replace if needed.
5. Reinstall seal washer (rubber side down) and oil fill plug. Torque to 9 N•m (80 lb-in).

IMPORTANT: DO NOT over torque. Measurements are given in pound force inches (lb-in) and not pound force foot (lb-ft). Incorrect torquing and failure to install or correctly torque seal washer may void gearcase warranty.

LUBRICATE UNIT

Ariens recommends using Ariens Hi-Temp Grease or equivalent (see *Service Parts*) to lubricate fittings. Lubricate each season or every 25 hours of operation.

IMPORTANT: Wipe each fitting clean before and after lubrication.

IMPORTANT: DO NOT allow grease or oil to contact friction disc, friction plate or belts.

Remove Bottom Cover

Models 921050, 921051

1. Place unit in service position (see Figure 15).
2. Remove six hex bolts retaining cover and remove cover. Save for reinstallation.

Model 921057

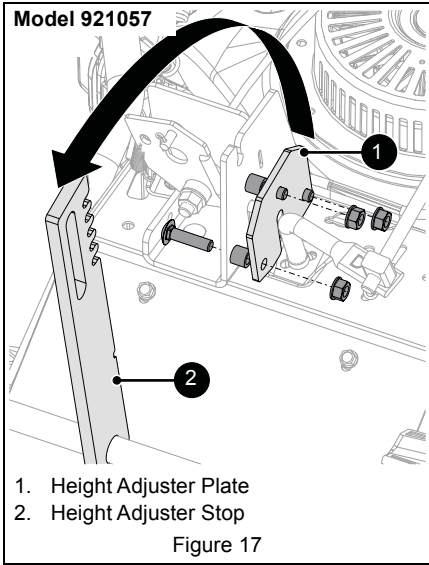
See Figure 17.

1. Place unit in service position (see Figure 15).
2. Remove three top-lock flange nuts retaining height-adjuster plate to height-adjuster bracket.
3. Remove height-adjuster plate and three spacers on the round head square neck bolts. The height-adjuster stop will be attached to the rear axle.
4. Slide height-adjuster stop to the right and rotate it away from frame.



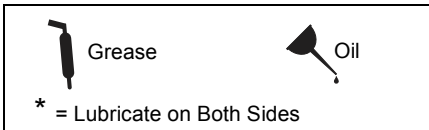
CAUTION: AVOID INJURY. The track carriage will rotate freely without the height-adjuster bracket. Keep fingers and hands away from pinch points.

5. Remove six bolts retaining bottom cover and remove cover. Rotate track carriage as needed to remove cover.

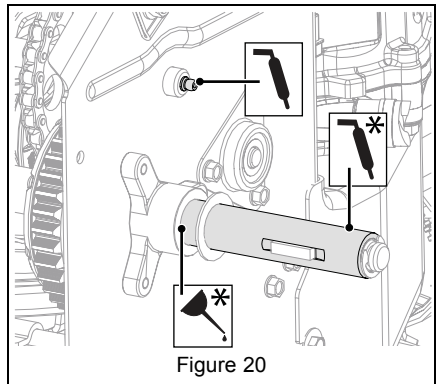
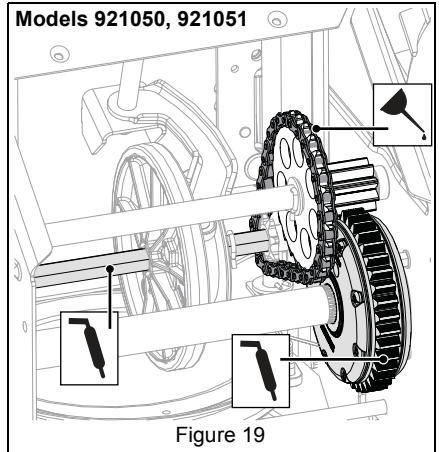
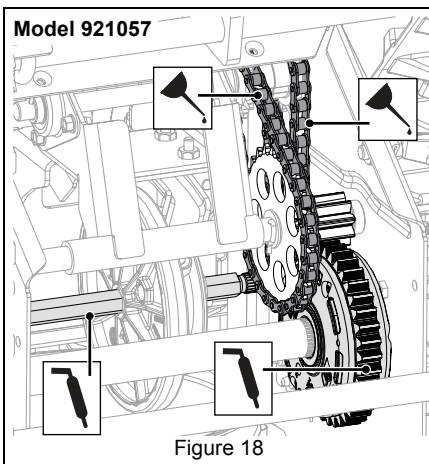


Lubricate Unit

Use the following key for all lubrication procedures.

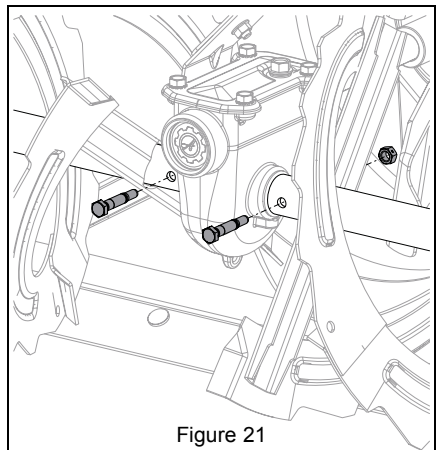


1. Lubricate as shown in Figures 18, 19 and 20.
2. Reinstall bottom cover and return unit to operating position.



LUBRICATE AUGER SHAFT

1. Remove shear bolt nuts and bolts. See Figure 21.



2. Apply grease at the grease zerks. See Figure 22.

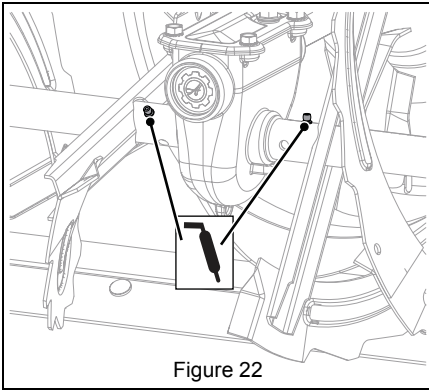


Figure 22

3. Hand rotate auger on auger shaft.
4. Align shear bolt holes in auger with shear bolt holes in shaft.
5. Insert bolts through holes.
6. Secure bolts with nuts.
7. Tighten bolts to 7.9 N•m – 16.5 N•m (5.8 lb-ft – 12.2 lb-ft). If a torque wrench is unavailable, tighten bolts until they no longer spin freely. DO NOT overtighten.

ADJUSTMENTS



WARNING: AVOID INJURY.
Read and understand the *Safety* section before proceeding.

ADJUST SCRAPER BLADE

The auger housing may be damaged if blade wears down too much.

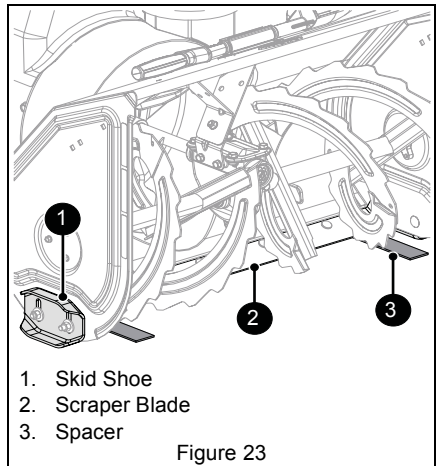
1. Tip unit back onto handlebar, support auger housing and loosen nuts retaining blade.
2. Lower blade and tighten nuts.
3. Adjust skid shoes. See *Adjust Skid Shoes* on page 17.

NOTICE: ALWAYS adjust skid shoes after adjusting blade to prevent premature wear of blade and auger housing damage.

ADJUST SKID SHOES

See Figure 23.

1. Place unit on a hard, flat surface.
2. Place a spacer under each scraper blade end.
 - Use two 3 mm (1/8") thick spacers for hard, smooth surfaces.
 - Use two 22 mm (7/8") thick spacers for uneven or gravel surfaces.
3. Loosen skid shoe hardware and lower skid shoes to contact surface. Adjust both shoes equally.



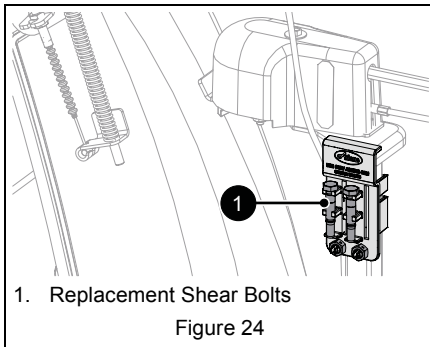
1. Skid Shoe
2. Scraper Blade
3. Spacer

Figure 23

4. Tighten skid shoe hardware.

REPLACE SHEAR BOLTS

Replace shear bolts if obstruction stops auger rotation and shear bolts break. See Figure 24.



IMPORTANT: Ariens recommends using only Ariens OEM shear bolts when replacing shear bolts. See *Service Parts* on page 14.

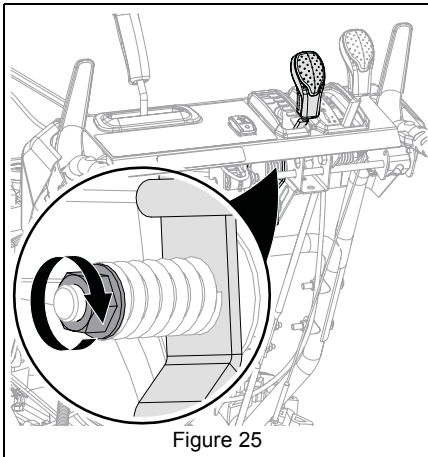
See Figure 21.

1. Align shear bolt holes in auger with shear bolt holes in the shaft.
2. Insert bolts through holes.
3. Secure bolts with nuts.
4. Tighten bolts to 7.9 N•m – 16.5 N•m (5.8 lb-ft – 12.2 lb-ft). If a torque wrench is unavailable, tighten bolts until they no longer spin freely. DO NOT overtighten.

ADJUST DISCHARGE CHUTE DEFLECTOR LEVER

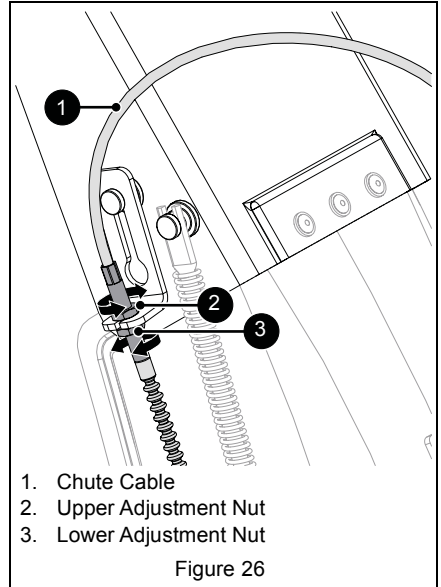
See Figure 25.

If deflector does not stay in selected position, tighten the nut under the control panel.



If deflector does not follow full range of travel:

1. Position deflector control in the rear-most position.
2. Adjust nuts on chute cable. See Figure 26.
 - To adjust deflector lower, loosen lower nut and tighten upper nut.
 - To adjust deflector higher, loosen upper nut and tighten lower nut.



ADJUST DISCHARGE CHUTE

See Figure 27.

If discharge chute does not stay in selected position:

1. Remove discharge chute gear cover.
2. Loosen rear adjustment nut and tighten forward adjustment nut until the lock arm engages the gear teeth.
3. Reinstall gear cover.

If discharge chute does not rotate freely:

1. Remove discharge chute gear cover.
2. Loosen forward adjustment nut and tighten rear adjustment nut until there is no cable slack and the lock arm engages the gear teeth.
3. Reinstall gear cover.

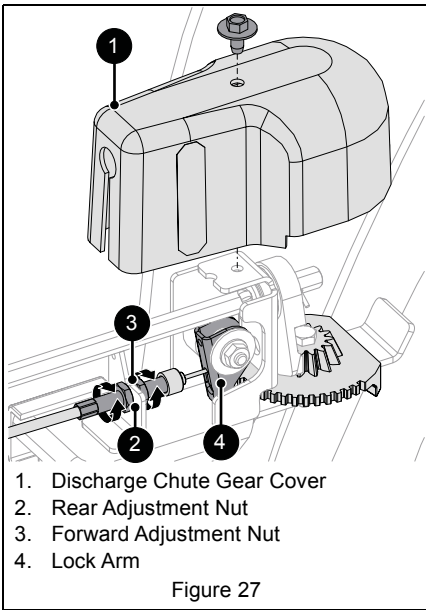


Figure 27

ADJUST SPEED SELECTOR LEVER

See Figure 28.

1. Disconnect adjustment pivot pin from speed selector arm. Save hardware for reinstallation.
2. Position speed selector lever in fastest forward position.
3. Turn speed selector arm down as far as it will go.
4. Thread adjustment pivot pin along shift rod until it aligns with the mating hole on the speed selector arm, and then insert the pivot pin in the hole.
5. Connect pivot pin to speed selector arm with hardware removed in step 1 and check forward and reverse speeds.
 - a. Start unit, position speed selector lever in the first forward position and engage traction drive clutch. Unit should move forward.
 - b. Stop unit, position speed selector lever in the first reverse position and engage traction drive clutch. Unit should move in reverse.
 - c. Stop unit. If unit does not travel correctly, repeat adjustments.

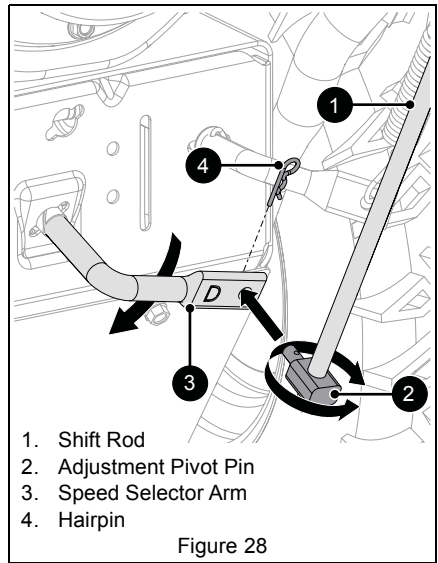


Figure 28

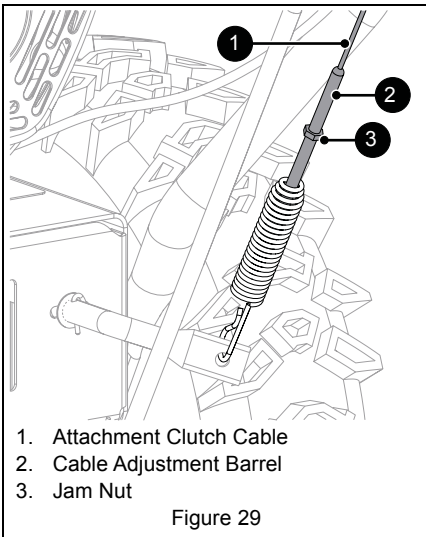
ADJUST ATTACHMENT CLUTCH & BRAKE



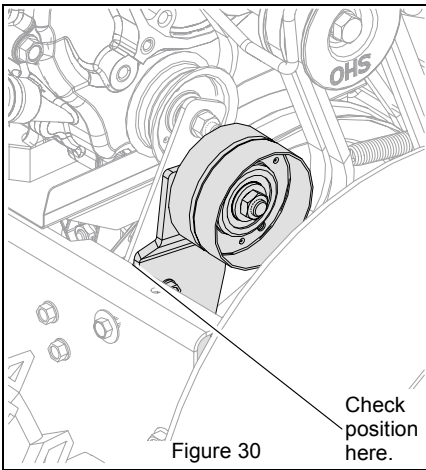
WARNING: AVOID INJURY. Improper adjustment could result in unexpected movement of auger and impeller causing death or serious injury. **AUGER / IMPELLER MUST STOP** within 5 seconds when attachment clutch lever is released.

Remove Slack from Attachment Cable

1. Stop engine, remove key and wait for all moving parts to stop and for hot parts to cool.
 2. Disconnect spark plug wire.
 3. Loosen hardware securing belt cover to unit and remove belt cover.
- IMPORTANT:** DO NOT completely remove hardware from unit.
4. Loosen jam nut on cable adjustment barrel, and then turn the adjustment barrel down to shorten cable and remove cable slack. See Figure 29.



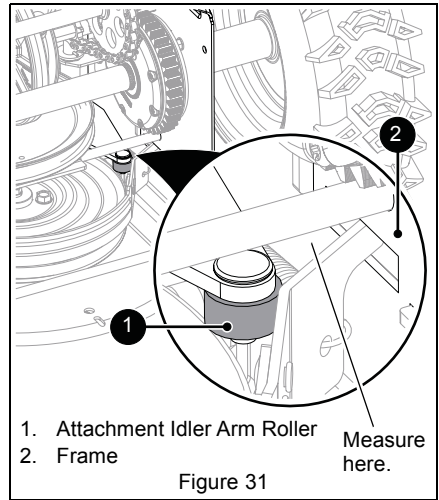
5. With the attachment clutch disengaged, make sure auger idler arm lightly touches the frame. See Figure 30.



6. Tighten jam nut on cable adjustment barrel. See Figure 29.
7. Reinstall belt cover and tighten hardware.
8. Reconnect spark plug wire.

Check Attachment Idler Arm Roller Clearance

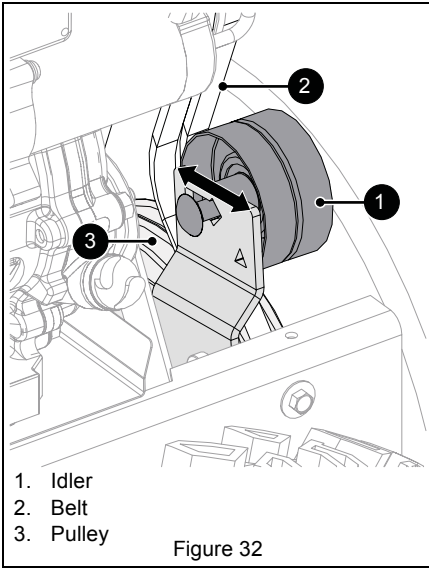
1. Place unit in service position and remove bottom cover.
2. Engage attachment clutch and check the clearance between the frame and plastic roller on the lower end of the attachment idler arm. Roller should be 12.7 mm – 22.2 mm (1/2" – 7/8") from the frame. See Figure 31.



- If roller is 12.7 mm – 22.2 mm (1/2" – 7/8") from frame, no further adjustment is required.

See Figure 32.

- If roller is less than 12.7 mm (1/2") from frame, loosen idler adjustment nut and move idler closer to belt. Tighten adjustment nut and recheck roller clearance.
- If roller is more than 22.2 mm (7/8") from frame, loosen idler adjustment nut and move idler away from belt. Tighten adjustment nut and recheck roller clearance.



- If there is less than 1.6 mm (1/16") gap, loosen idler adjustment nut and move idler away from belt or pulley. Position idler to achieve a 1.6 mm (1/16") minimum brake pad gap and a 12.7 mm – 22.2 mm (1/2" – 7/8") gap between the plastic roller and the frame. See Figure 32.

IMPORTANT: If adjustments cannot be brought into specified ranges, see your dealer for repair.

Check Belt Finger Clearance

See Figure 34.

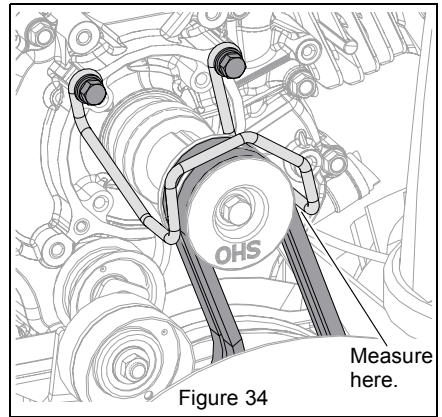
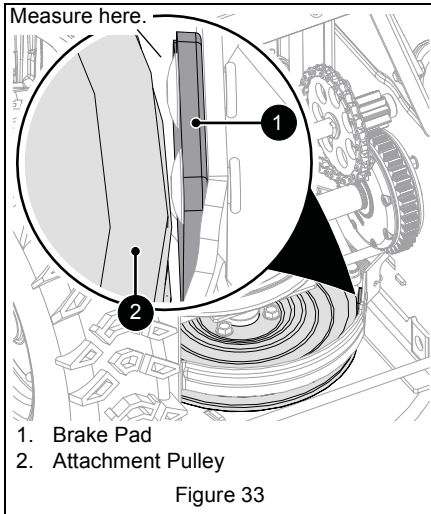
With attachment clutch engaged, the belt finger located opposite the belt idler must be less than 3.2 mm (1/8") from belts, but must not touch the belts.

To adjust belt finger:

1. Remove belt cover.
2. Loosen bolts and move belt finger to correct position.
3. Tighten bolts and recheck belt finger clearance.
4. Replace belt cover and tighten hardware.

Check Attachment Brake

With the attachment clutch disengaged, brake pad must contact attachment belt or pulley, whichever is closest. With attachment clutch engaged, brake pad must be a minimum of 1.6 mm (1/16") from belt or pulley. See Figure 33.

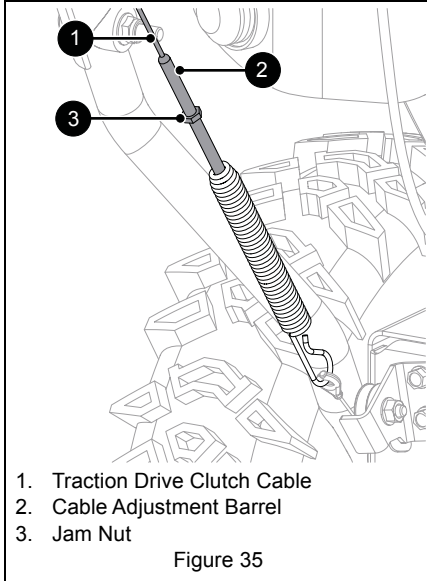


ADJUST TRACTION DRIVE CLUTCH

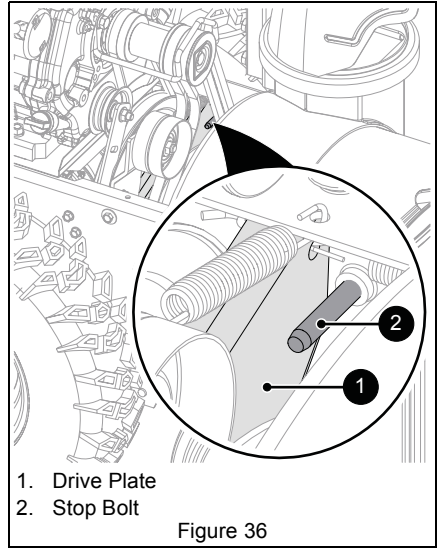
See Figure 35.

If unit does not drive correctly, adjust traction clutch to compensate for friction disc wear.

1. Stop engine, remove key and wait for all moving parts to stop and for hot parts to cool.
2. Disconnect spark plug wire.
3. Loosen jam nut on traction cable adjustment barrel, and then turn adjustment barrel down to shorten cable and remove cable slack.



4. With traction clutch disengaged, check that the drive plate touches the stop bolt. See Figure 36.



5. Reconnect spark plug wire.

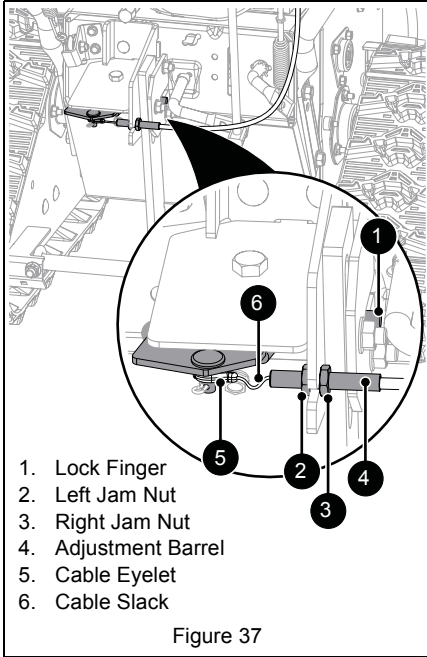
ADJUST HEIGHT ADJUSTMENT CABLE

Model 921057

See Figure 37.

NOTICE: Make sure height-adjuster lock finger is fully engaged before making adjustments.

1. Loosen jam nuts on cable adjustment barrel.
2. Tighten right jam nut to remove slack between adjustment barrel and cable eyelet.
3. Tighten left jam nut.



TROUBLESHOOTING

| Problem | Probable Cause | Correction |
|---|--|--|
| Engine will not start. | Engine key in stop position. | Turn engine key to run position. See <i>Engine Key</i> on page 9. |
| | Choke is off. | Turn choke control knob to on position. See <i>Choke Control Knob</i> on page 9. |
| | Fuel valve is closed. | Open valve. See <i>Fuel Valve</i> on page 9. |
| | Fuel tank is empty. | Fill tank with fuel. See <i>Before Operating Unit</i> on page 11. |
| | Engine is not primed. | If engine is cold, press primer bulb three times and start engine. Do not prime a warm engine. See <i>Primer Bulb</i> on page 9. |
| | Ignition switch starter circuit is not functioning. | See your dealer for repair. |
| | Build up of dirt and residue around governor / carburetor. | Clean area around governor / carburetor. See the service guide for your unit. |
| | Spark plug wire is disconnected. | Connect spark plug. Refer to engine manual. |
| | Spark plug is faulty. | Replace spark plug. Refer to engine manual. |
| | Excessive fuel in engine cylinder (flooded). | Turn choke control knob to off position and reattempt starting. See <i>Start The Engine</i> on page 12. |
| | Engine is faulty. | See your Ariens dealer or authorized engine manufacturer's service center. |
| | Contaminated fuel supply. | Replace with clean fuel. |
| Engine starts hard or runs poorly. | Spark plug is faulty, fouled or incorrectly gapped. | Clean and correctly set spark plug gap (refer to engine manual) or see your Ariens dealer. |
| | Fuel mixture is too rich. | Turn choke control knob to off position. See <i>Start The Engine</i> on page 12. |
| | Fuel cap vent is blocked. | Install new fuel cap. |
| | Contaminated fuel supply. | Replace with clean fuel. |
| Engine stops. | Fuel tank is empty. | Fill tank with fuel. See <i>Before Operating Unit</i> on page 11. |
| | Fuel valve is closed. | Open valve. See <i>Fuel Valve</i> on page 9. |
| | Obstruction in auger or impeller. | Stop engine, remove key and wait for all moving parts to stop. Check for and remove obstruction before restarting. |
| | Contaminated fuel supply. | Replace with clean fuel. |
| | Engine is faulty. | See your Ariens dealer or authorized engine manufacturer's service center. |
| | Spark plug is faulty. | Replace or clean spark plug. Refer to engine manual. |
| Unit runs briefly then stops. | Fuel cap vent is blocked. | Install new fuel cap. |
| | A build up of fumes in the fuel tank is creating too much pressure in the fuel tank. | Slowly loosen the fuel tank cap. |

TROUBLESHOOTING

| Problem | Probable Cause | Correction |
|--|--|---|
| Unit does not drive forward or in reverse. | Friction disc is worn. | Replace friction disc. Refer to the service guide for your unit. |
| | Traction drive cable is not adjusted correctly. | Remove slack from cable. See <i>Adjust Traction Drive Clutch</i> on page 22. |
| | Traction belt is not functioning. | Repair or replace traction drive belt. Refer to the service guide for your unit. |
| | Speed selector is not adjusted correctly. | Adjust speed selector. See <i>Adjust Speed Selector Lever</i> on page 19. |
| Unit does not throw snow or throws it poorly. | Shear bolts are broken. | See <i>Replace Shear bolts</i> on page 18. |
| | Attachment clutch / brake is not adjusted correctly. | See <i>Adjust Attachment Clutch & Brake</i> on page 19. |
| | Impeller is frozen in place. | Move unit to a warm place to thaw. |
| | Ice or debris is obstructing auger. | Stop engine, remove key and wait for moving parts to stop. Check for and remove obstruction before restarting. |
| | Discharge chute is clogged with snow. | Stop engine, remove key and wait for all moving parts to stop and for hot parts to cool. Clean discharge chute and auger housing with clean-out tool. DO NOT use your hands. |
| | Auger drive belt is slipping, worn or damaged. | Adjust or replace auger drive belt. Refer to the service guide for your unit. |
| | Auger drive belt is loose or damaged. | Replace belt or adjust auger control cable. Refer to the service guide for your unit. |
| Excessive snow is left behind. | Scraper blade is worn or damaged. | Adjust when worn and replace when damaged or when blade has been adjusted down as far as possible and does not touch ground or clear correctly. See <i>Adjust Scraper Blade</i> on page 17. |
| Unit pulls to the left or right. | Skid shoes and scraper blade need adjustment. | Adjust skid shoes and scraper blade. See <i>Adjust Skid Shoes</i> and <i>Adjust Scraper Blade</i> on page 17. |
| Belt squeals continuously. | Impeller may be frozen. | Move unit to a warm area to thaw. |
| | Attachment clutch needs adjustment. | See <i>Adjust Attachment Clutch & Brake</i> on page 19. |
| Small rubber beads collect in frame. | Friction disc wear. | This is normal friction disc wear and no correction is needed unless there are chunks or large pieces of rubber collecting in frame. If repair is needed, refer to the service guide for your unit. |

STORAGE



WARNING: AVOID INJURY.
Read and understand the *Safety* section before proceeding.

SHORT TERM

1. Run auger / impeller for a few minutes to remove loose or melting snow to prevent impeller from freezing.
2. Tighten all hardware to correct specifications.
3. Inspect unit for visible signs of wear or damage. Repair as needed.
4. Apply a light layer of oil or anti-rust compound on bare metal areas.
5. Prepare fuel system for storage.

NOTICE: Ariens recommends using a quality fuel stabilizer in all fuel. Gasoline left in the fuel system without a stabilizer, even for short periods of time, deteriorates and leaves gummy deposits in the system that may damage the carburetor and fuel hoses, filter and tank. For the best effectiveness, add stabilizer to all fuel containers whenever purchasing fuel. Add the stabilizer to the container before adding fuel.

- a. Add Ariens fuel stabilizer (see *Service Parts* on page 14) or equivalent according to manufacturer's instructions to the fuel tank and any fuel containers with remaining fuel.
 - b. Run engine outdoors for at least 5 minutes to allow stabilizer to reach the carburetor.
6. Close fuel valve and allow engine to stop on its own.
 7. Turn engine key to stop position and remove key.
 8. Store unit in a cool, dry, protected area. Do not store unit outdoors.

LONG TERM

1. Perform all short-term storage items.
2. Wash salt and other corrosive ice-melting agent residue from unit with mild soap and low-pressure water.

IMPORTANT: Never spray unit with high-pressure water.

3. Lubricate as directed in *Maintenance* on page 13.
4. Touch up all scratched painted surfaces.
5. Remove weight from wheels by putting blocks under frame or axle.
6. Store unit in a cool, dry, protected area. Do not store unit outdoors.

START-OF-SEASON FUEL PREPARATION

Before opening the fuel valve for the first time after long-term storage, add fresh, stabilizer-treated fuel to the fuel tank and any fuel containers with remaining fuel.

ACCESSORIES

See your Ariens dealer for a complete list of compatible accessories and attachments for your unit.

| Description | Part No. |
|------------------------------------|----------|
| Front Weight Kit | 72406500 |
| Drift Cutters | 72406900 |
| Composite Skid Shoe Kit (Set of 2) | 72600300 |
| Cover | 72601500 |
| Snow Cab | |
| • Model 921057 | 72102600 |
| • Models 921050, 921051 | 72103300 |
| 16" x 8" Tire Chain Set | 72601800 |
| Protective Floor Mat | 70706700 |

SPECIFICATIONS

| Model Number | 921050 | 921051 | 921057 |
|---|-------------------------|-----------------|---------------------------------------|
| Description | Platinum 24 SHO | Platinum 30 SHO | Platinum 28 SHO RapidTrak |
| Engine | Ariens AX | | |
| Gross Torque* – N•m (lbf-ft) | 23.1 (17.0) | 27.1 (20.0) | 23.1 (17.0) |
| Displacement – cm ³ (in ³) | 369.0 (22.5) | 414.0 (25.3) | 369.0 (22.5) |
| Maximum RPM – No Load | 3600 ± 100 | | |
| Electric Start | 120V | | |
| Fuel Tank Capacity – liter (qt) | 3.0 (3.2) | | |
| Chute | | | |
| Chute Rotation Angle | 200° | | |
| Rotation Control | 2.5X Quick Turn | | |
| Deflector Control | In-dash Lever | | |
| Auger | | | |
| Snow Clearing Width – cm (in) | 61.0 (24.0) | 76.2 (30.0) | 71.1 (28.0) |
| Gearcase | Cast Iron | | |
| Auger Diameter – cm (in) | 35.6 (14.0) | | |
| Impeller | | | |
| Impeller Diameter – cm (in) | 35.6 (14.0) | | |
| Impeller Speed (RPM) | 1083 | | |
| Impeller Tip Speed – m/sec (ft/sec) | 20.2 (66.2) | | |
| Drive | | | |
| Auger | Dual HA Belt | | |
| Traction | Disc-O-Matic® | | |
| Speeds | 6 Forward and 2 Reverse | | |
| Axle Control | Auto-Turn™ | | |
| Tires | | | |
| Size – in | 16 x 4.80 Directional | | N/A |
| Rubber Track Size – cm (in) | N/A | | 14.0 (5.5) Directional Track Drive |
| Pressure | See tire sidewall. | | N/A |
| Size and Weight | | | |
| Length – cm (in) | 148.1 (58.3) | | 148.6 (58.5) |
| Height – cm (in) | 116.6 (45.9) | | 115.1 (45.3) |
| Width – cm (in) | 67.1 (26.4) | 82.3 (32.4) | 75.9 (29.9) |
| Weight – kg (lb) | 129.7 (286.0) | 133.3 (293.8) | 128.4 (283.0) |

*Engine output stated in gross torque per SAE J1940 as rated by engine manufacturer.



ARIENS®

Outdoor Power Equipment Limited Warranty

Ariens Company (Ariens) warrants to the **original purchaser** that Ariens brand products purchased on or after 3/16/2018 will be free from defects in material and workmanship for the time period noted in the chart below. Equipment put to personal use around a single household or residence is considered "Residential Use." Equipment put to any business use (agricultural, commercial, or industrial) or used at multiple locations is considered "Commercial Use." If any product is rented or leased, then the duration of these warranties shall be 90 days after the date of purchase.

An authorized Ariens dealer will repair any defect in material or workmanship, and repair or replace any defective part, subject to the conditions, limitations and exclusions set forth herein. Such repair or replacement will be free of charge (labor and parts) to the original purchaser; except as noted below. Pick-up and delivery are at the owner's expense.

The warranty code is found on the model and serial number identification label on the unit.

| Warranty Code | Product Group | Warranty Period |
|---------------|--|--|
| AA | Serialized Attachments | 1 Year. |
| HA | Zoom, Zoom-XL, IKON-X, and IKON-XL Mowers | 3 Years Residential Use. 90 Days Commercial Use. |
| HB | Apex Mowers | 3 Years Residential Use. 1 Year Commercial Use. |
| HD | LM-Series Walk-Behind Mowers | 3 Years Residential Use. 90 Days Commercial Use. |
| PA | Log Splitters and 921-Series Brushes | 3 Years Residential Use. 90 Days Commercial Use. |
| PB | 926-Series Brushes | 3 Years Residential Use. 1 Year Commercial Use. |
| SA | Professional Sno-Thro | 3 Years Residential Use. 1 Year Commercial Use. |
| SB | Compact, Deluxe and Platinum Sno-Thro and Path-Pro | 3 Years Residential Use. 90 Days Commercial Use. |
| SC | Sno-Tek | 2 Years Residential Use. 90 Days Commercial Use. |
| SD | Deluxe and Platinum EFI Sno-Thro | 3 Years Residential Use. 90 Days Commercial Use. |
| SE | 920-Series Classic Sno-Thro | 3 Years Residential Use. 90 Days Commercial Use. |

Special Extensions

The chart below details special **extensions** to warranty terms. Warranty terms are total time periods covered. If any product is rented or leased, there are no extensions to the 90-day warranty.

| Warranty Code | Warranty Term Extension | Warranty Period | Detail |
|---------------|---------------------------------|--|--|
| HA, HB | Mower Deck Shell and Main Frame | 5 Years Limited Residential Use. No Commercial Warranty. | Years 1 – 3 parts and labor. Years 4 – 5 parts only. |
| SA | Cast Iron Auger Gear Case | 5 Years Residential and Commercial Use. | |
| SB, SD | Cast Iron Auger Gear Case | 5 Years Residential Use. 1 Year Commercial Use. | |
| SE | Aluminum Auger Gear Case | 3 Years Residential Use. 90 Days Year Commercial Use. | |

Exclusions and Limitations

The charts below detail special **exclusions and limitations** to this warranty.

| Warranty Term Exclusions | Warranty Period |
|---|--|
| Air filters, auger paddles, brake arms, brake linings, brake shoes, brushes, cutters, fuel filters, headlights, knives, light bulbs, lubricants, mower blades, oil, oil filters, spark plugs, scraper blades, shear bolts and skid shoes. | Components are not covered under warranty. |

| Hydro-Gear Transaxle Limitation |
|---|
| See Hydro-Gear warranty. The warranty is administrated by Ariens Company. |

| Warranty Term Limitations | Warranty Period |
|---|--|
| Cloth, Plastic and Rubber Components. Mufflers, Tires, Belts and Cables. | 2 Years Residential Use. No Commercial Warranty. Components are covered for manufacturer's defect only, not wear. |

Exclusions – Items Not Covered by This Warranty

- Parts that are not genuine Ariens service parts are not covered by this warranty and may void the warranty if the parts result in premature wear or damage to the product.
- Damages resulting from the installation or use of any part, accessory, or attachment which is not approved by the Ariens Company for use with product(s) identified herein are not covered by this warranty.
- Any misuse, alteration, improper assembly, improper adjustment, neglect, or accident which requires repair is not covered by this warranty.
- Repairs or adjustments required due to failure to use fresh fuel or failure to properly prepare the unit for periods of non-use.
- **Use of gasoline blends exceeding 10% ethanol voids any and all warranties.**
- Products are designed to the specifications in the area that the product was originally distributed. Different areas may have significantly different legal and design requirements. This warranty is limited to the requirements in the area in which the unit was originally distributed. Ariens Company does not warrant this product to the requirements of any other area. Warranty service is limited to service within the area originally distributed.
- In countries other than the United States and Canada, contact the Ariens Company dealer for warranty policies that govern within your country. Rights may vary from country to country and within any one country.

Evaporative Emissions Control Warranty Exception

As required by the California Air Resources Board (CARB) and the US Environmental Protection Agency (EPA) the evaporative emissions control system is warranted to the ultimate purchaser, and any subsequent owner, for two years.

The CARB and EPA evaporative emissions control system warranty is described in a separate evaporative emission control warranty statement.

Pro-Rated Battery Warranty

Battery warranty is pro rated for one year and is based on the total cost for battery replacement. Units used for rental or lease have no exceptions to the 90-day warranty. Total battery reimbursement will not exceed 45.00 USD.

| Months | % Coverage |
|--------|------------|
| 1 – 3 | 100 |
| 4 | 75 |
| 5 | 66.6 |

| Months | % Coverage |
|--------|------------|
| 6 | 58.3 |
| 7 | 50.0 |
| 8 | 41.6 |

| Months | % Coverage |
|--------|------------|
| 9 | 33.3 |
| 10 | 25.0 |
| 11 | 16.6 |
| 12 | 8.3 |

Engines

The chart below details engine warranty information. Engine warranty terms may vary from the specific terms of this warranty. If inconsistent, the terms of the engine warranty shall apply to the engine and its component parts.

| Engine Manufacturer | Detail |
|---|---|
| Ariens AX | Ariens- and Yamaha-branded engines are warranted by the manufacturer and the warranty is administrated by Ariens Company. Refer to the engine manual for warranty statements. |
| Yamaha | |
| Briggs & Stratton, Kawasaki, Kohler, Subaru | Covered by the engine manufacturer's warranty. Refer to the engine manufacturer's warranty statements. |

Parts and Accessories

Service replacement parts and non-serialized accessories are warranted for 90 days from date of purchase. Parts and accessories must be installed by an authorized Ariens dealer to be covered. Labor is not included.

Customer Responsibilities

Register the product immediately at the time of sale. If the dealer does not register the product, the customer must register the unit on-line at www.ariens.com.

To obtain warranty service, the **original purchaser** must:

- Ensure that the maintenance and adjustments explained in the Operator's Manual are routinely completed.
- Promptly notify Ariens Company or an authorized Ariens service representative of the need for warranty service.
- Transport the product to and from the place of warranty service at owner's expense.
- Have the warranty service performed by an authorized Ariens service representative.

To find an authorized dealer use the dealer locator on our websites, or contact us by mail or phone.

| Globally except Australia or New Zealand: | Australia or New Zealand: |
|---|---|
| Ariens Company 655 W. Ryan Street Brillion, WI 54110 Phone: (920) 756 - 4688 www.ariens.com | Allpower Industries Pty Ltd 128 Bridge Rd Keysborough VIC 3173 Australia Phone: +61 1800 333 428 www.allpower.com.au |

Disclaimer

Ariens Company may from time to time change the design of its products. Nothing contained in this warranty shall be construed as obligating the Ariens Company to incorporate such design changes into previously manufactured products, nor shall such changes be construed as an admission that previous designs were defective.

Limitation of Remedy and Damages

Ariens Company's liability under this warranty, and under any implied warranty that may exist, is limited to repair of any defect in workmanship, and repair or replacement of any defective part. Ariens Company shall not be liable for incidental, special, or consequential damages (including lost profits). Some states do not allow the exclusion of incidental or consequential damages, so the above limitation or exclusion may not apply to you.

Australian Consumer Law

The following applies solely to warranties subject to Subsection 102(1) of the Australian Consumer Law: Our goods come with guarantees that cannot be excluded by the Australian Consumer Law. You are entitled to a replacement or refund for a major failure and for compensation for any other reasonably foreseeable loss or damage. You are also entitled to have the goods repaired or replaced if the goods fail to be of acceptable quality and failure does not amount to a major failure.

Disclaimer of Further Warranty

Ariens Company makes no warranty, express or implied, other than what is expressly made in this warranty. If the law of your state provides that an implied warranty of merchantability, or an implied warranty of fitness for particular purpose, or any other implied warranty, applies to Ariens Company, then any such implied warranty is limited to the duration of this warranty. Some states do not allow limitations on how long an implied warranty lasts, so the above limitation may not apply to you.

This warranty gives you specific legal rights, and you may also have other rights which vary from region to region.



ARIENS
THE KING OF SNOW

655 West Ryan Street
Brillion, WI 54110

www.ariens.com



parts.ariens.com

WARNING

The engine exhaust from this product contains chemicals known to the State of California to cause cancer, birth defects and other reproductive harm.

An *Ariens* Company Brand

