



# Walk-Behind Lawn Mower

## Parts Manual

---

### Models

911170 – LM21  
(SN 022407 +)

911193 – LM21S  
(SN 022897 +)

911194 – LM21SW  
(SN 023525 +)



The use of any gasoline exceeding 10% ethanol (E10) or 10% MTBE will void the product warranty.  
L'utilisation d'une essence contenant plus de 10% d'éthanol (E10) ou de 10% de MTBE annulent la garantie.  
El uso de cualquier otro tipo de gasolina con un porcentaje superior al 10% de etanol (E10) o al 10% de MTBE invalidará la garantía del producto.

# THE MANUAL

---

Before you operate your unit, carefully and completely read manuals supplied with the unit. The contents will provide you with an understanding of safety instructions and controls during normal operation and maintenance.

For your safety and the safety of others always read, understand, and follow all DANGER, WARNING, and CAUTION messages found in manuals and on safety decals.

Hardware descriptions are given in decimals.

Decimals to Fractions			
.063	1/16	.563	9/16
.125	1/8	.625	5/8
.188	3/16	.688	11/16
.250	1/4	.750	3/4
.313	5/16	.813	13/16
.375	3/8	.875	7/8
.438	7/16	.938	15/16
.500	1/2	1.00	1

## SERVICE AND REPLACEMENT PARTS

---

When ordering replacement parts or making service inquiries, know the Model and Serial numbers of your unit and engine.

Numbers are located on the product registration card in the unit literature package. They are printed on a serial number label, located on the frame of your unit.

- Record Unit Model and Serial numbers here:

- Record Engine Model and Serial numbers here:

## UNAUTHORIZED REPLACEMENT PARTS

Use only Ariens replacement parts. The replacement of any part on this vehicle with anything other than an Ariens authorized replacement part may adversely affect the performance, durability, or safety of this unit and may void the warranty. Ariens disclaims liability for any claims or damages, whether warranty, property damage, personal injury or death arising out of the use of unauthorized replacement parts.

# PRODUCT REGISTRATION

---

The Ariens dealer must register the product at the time of purchase. Registering the product will help the company process warranty claims or contact you with the latest service information. All claims meeting requirements during the limited warranty period will be honored, whether or not the product registration card is returned. Keep a proof of purchase if you do not register your unit.

**Customer Note:** If the dealer does not register your product, please fill out, sign, and return the product registration card to Ariens or go to [www.ariens.com](http://www.ariens.com) on the internet.

## YOUR SATISFACTION IS IMPORTANT

---

**Questions? Please follow these helpful steps:**

1. Refer to the manuals supplied with your unit.  
They will guide you through safe and proper operation and maintenance.  
They contain specifications on your unit.  
If your questions are not answered in these manuals, go to step number two.
2. Contact Your Dealer.  
Our dealers will be happy to supply any service or advice required to keep your unit operating at peak efficiency.  
A factory trained staff is available to support your equipment needs. They stock genuine Ariens parts and lubricants manufactured with the same precision and skill as the original.  
If your questions are not resolved by the support staff, ask for the manager or owner.  
When contacting your Dealer supply your model and serial numbers.

## TO SPEED PARTS ORDERING:

1. Know the model and serial numbers of your unit.
2. Know the part number required.
3. Know the quantity required.
4. Know the part description.

## MODELS

---

### **Model 911170 (LM21)**

4 Cycle-Kohler XT-8  
Recoil, Push  
Serial No. 022407 and up

### **Model 911193 (LM21S)**

4 Cycle-Kawasaki 6.0hp  
Recoil, Self-Propelled  
Serial No. 022897 and up

### **Model 911194 (LM21SW)**

4 Cycle-Kawasaki 6.0hp  
Recoil, Self-Propelled, Swivel  
Serial No. 023525 and up

## TABLE OF CONTENTS

---

### **DECALS**

---

Decals ..... 4

### **MAIN FRAME**

---

Handlebar and Controls ..... 6

Mower Pan and Bag ..... 8

### **WHEELS**

---

Wheels and Adjusters ..... 10

Friction Wheel and Adjusters ..... 11

Swivel Wheels and Brackets ..... 14

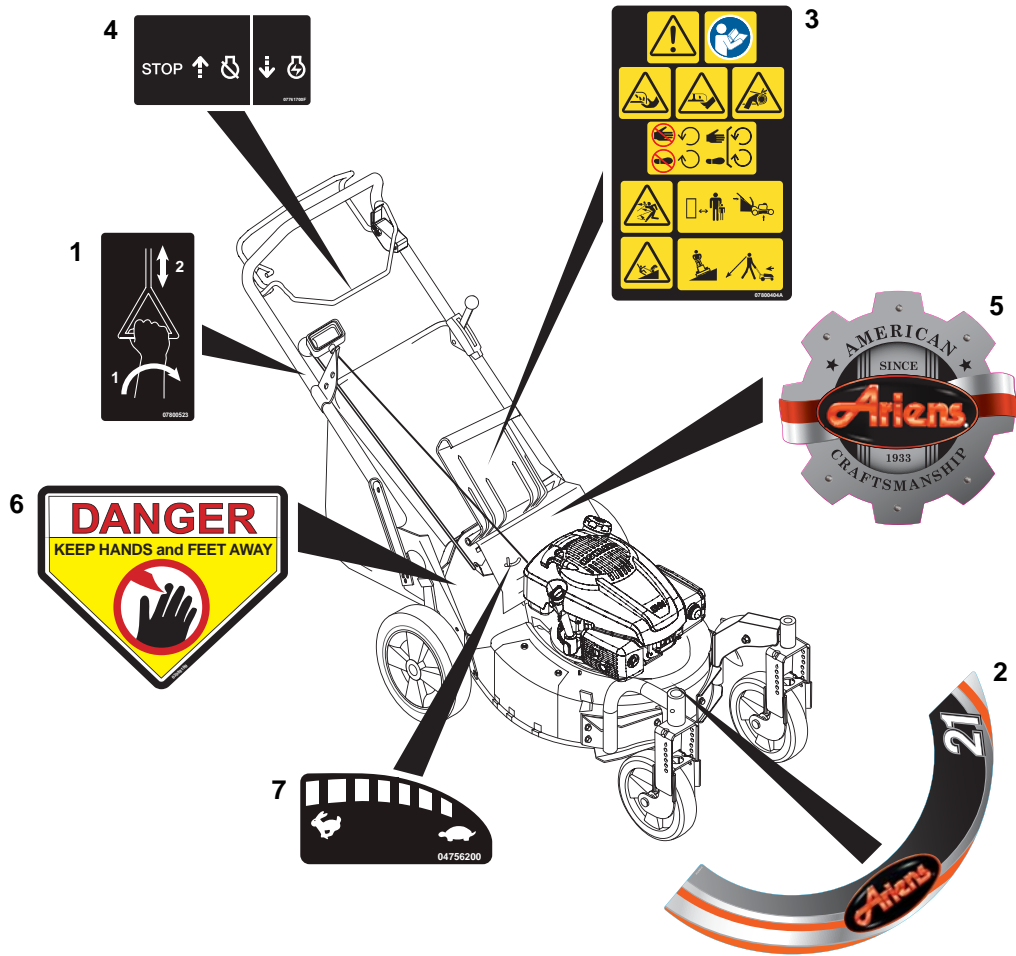
### **ENGINE**

---

Engine, Blade, Belt ..... 15

# DECALS

Model 911170, 193, 194



# DECALS

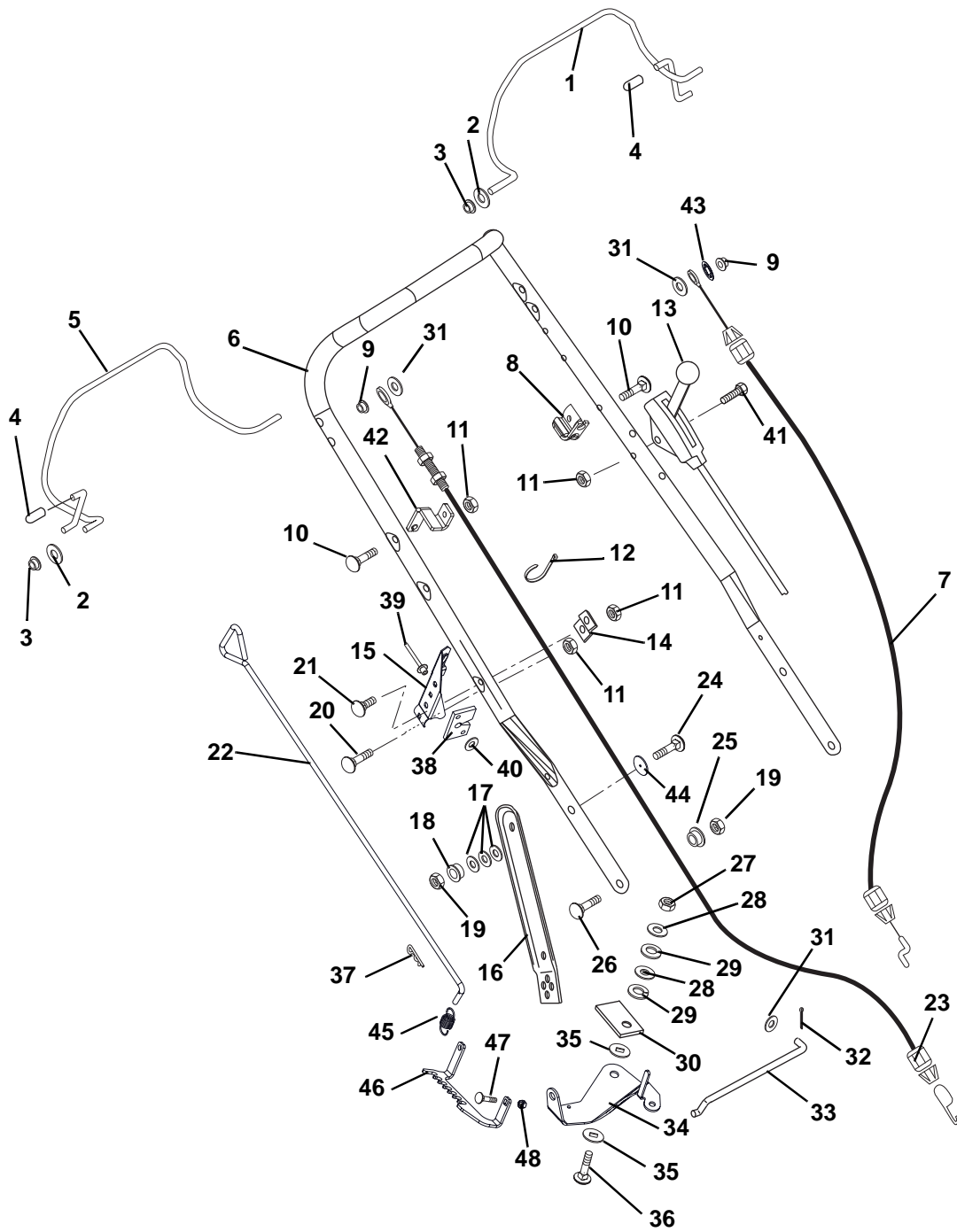
---

## Model 911170, 193, 194

Item	Part No.	Qty.	Description
1	07800523	1	Decal, Speed Select Rod (911193, 194)
2	01284700	1	Decal, Ariens Deck
3	07800404	1	Decal, Main Safety
4	07761700	1	Decal, Engine Control
5	08000528	1	Decal, Ariens Heritage Small
6	02988100	1	Decal, Danger
7	04756200	1	Decal, Speed Select (911193, 194)

# HANDLEBAR AND CONTROLS

Model 911170, 193, 194



Item	Part No.	Qty.	Description
1	01245151	1	Bail, Engine
2	06437200	4	Washer, Flat Steel .32 x .44 x .44 x .56 (911193, 194)
	06437200	2	Washer, Flat Steel .32 x .44 x .44 x .56 (911170)
3	05514500	4	Bushing, Flange .325 x .688 x .560 (911193, 194)
	05514500	2	Bushing, Flange .325 x .688 x .560 (911170)
4	07517000	2	Cap, Vinyl .25 I.D. (911193, 194)
	07517000	1	Cap, Vinyl .25 I.D. (911170)
5	01245251	1	Traction Bail (911193, 194)
6	01330051	1	Handlebar

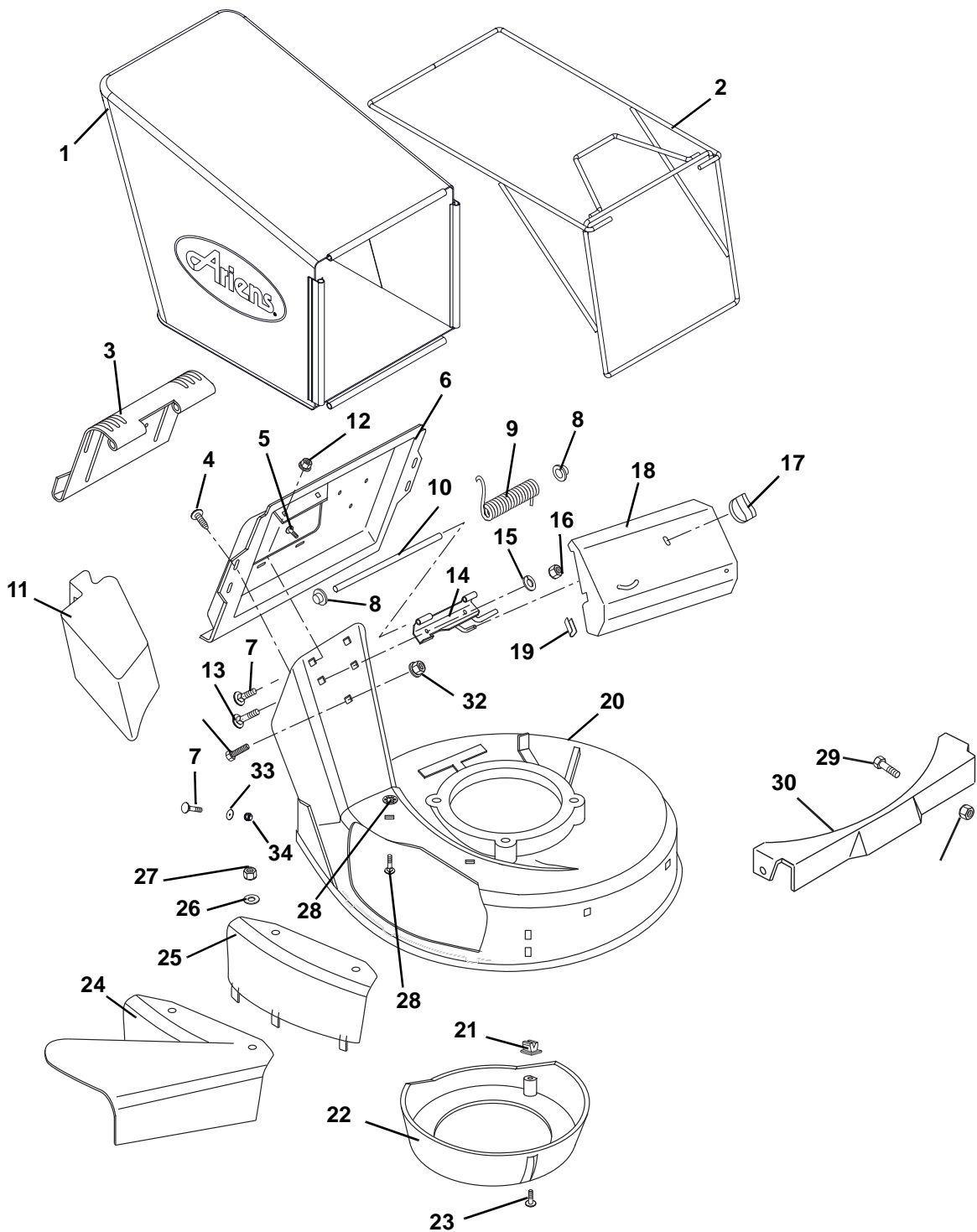
# HANDLEBAR AND CONTROLS

## Model 911170, 193, 194

Item	Part No.	Qty.	Description
7	06900014	1	Cable, Engine Kawasaki (911170, 193)
	01292500	1	Cable, Engine Kawasaki (911194)
8	01245651	1	Cable, Anchor
9	02215300	2	Push Nut, .25 (911193, 194)
10	06220100	2	Bolt, Round Head Square Neck .25-20 x 1.25 (911193, 194)
	06220100	1	Bolt, Round Head Square Neck .25-20 x 1.25 (911170)
11	06529700	4	Nut, Locking Center .25-20 (911193, 194)
12	06529700	3	Nut, Locking Center .25-20 (911170)075173003Cable Tie (911194)
	07517300	2	Cable Tie (911170, 193)
13	06948100	1	Cable, Lockout Control (911194)
14	01141851	1	Brace, Speed Control
15	04761851	1	Bracket, Speed Control Slotted
16	01150051	1	Link, Handlebar Adjuster Left Hand
	01150151	1	Link, Handlebar Adjuster Right Hand
17	01178700	8	Washer, Bellville Spring
18	05514900	2	Bushing, Flange .325 x .50 x .513 x .875
19	06529800	4	Nut, Locking Center .31-18
20	06200010	1	Bolt, Round Head Square Neck .25-20 x 1.38 Grade 5
21	06220600	1	Bolt, Round Head Square Neck .25-20 x .50 Grade 5
22	04732100	1	Rod, Speed Control (911193, 194)
23	06900013	1	Traction Cable (911193, 194)
24	06216100	2	Bolt, Round Head Square Neck .31-18 x 1.00 Grade 5
25	01305900	2	Shoulder Spacer
26	06215700	2	Bolt, Round Head Square Neck .31-18 x .75 Grade 5
27	06529600	1	Nut, Locking Center .38-16 (911193, 194)
28	06436200	2	Washer, Flat Steel .406 x .812 x .065 (911193, 194)
29	06306500	2	Washer, Lock .375 x .115 Heavy (911193, 194)
30	01154800	1	Pressure Flange (911193, 194)
31	06437300	3	Washer, Flat Steel .281 x .62 x .065 (911193, 194)
	06437300	1	Washer, Flat Steel .281 x .62 x .065 (911170)
32	06712400	1	Pin, Cotter .06 x .50 (911193, 194)
33	01126100	1	Shift Link (911193, 194)
34	04756800	1	Bell Crank, Speed Control (911193, 194)
35	01123800	2	Friction Washer (911193, 194)
36	06222200	1	Bolt, Round Head Square Neck .38-16 x 1.25 (911193, 194)
37	06713500	1	Pin, Hair Internal .08 x .18 x 1.18 (911193, 194)
38	04760400	1	Pad, Rubber Support (911193, 194)
39	06815700	2	Rivet .187 x .575 (911193, 194)
40	06442700	2	Washer, Flat Steel .219 x .50 x .049 (911193, 194)
41	06209300	1	Bolt, Round Head Square Neck .25-20 x 2.00 Grade 5 (911194)
42	01245451	1	Anchor, Cable (911193, 194)
43	05717600	1	Ring, Retaining External (911170)
44	06436600	2	Washer, Flat Steel .505 x .880 x .072
45	08300432	1	Spring, Extension (911193, 194)
46	04731600	1	Bracket, Speed Selection (911193, 194)
47	06220600	1	Bolt, Round Head Square Neck .25-20 x .50 Grade 5 (911193, 194)
48	06529700	1	Nut, Locking Center .25-20 (911193, 194)

# MOWER PAN AND BAG

Model 911170, 193, 194





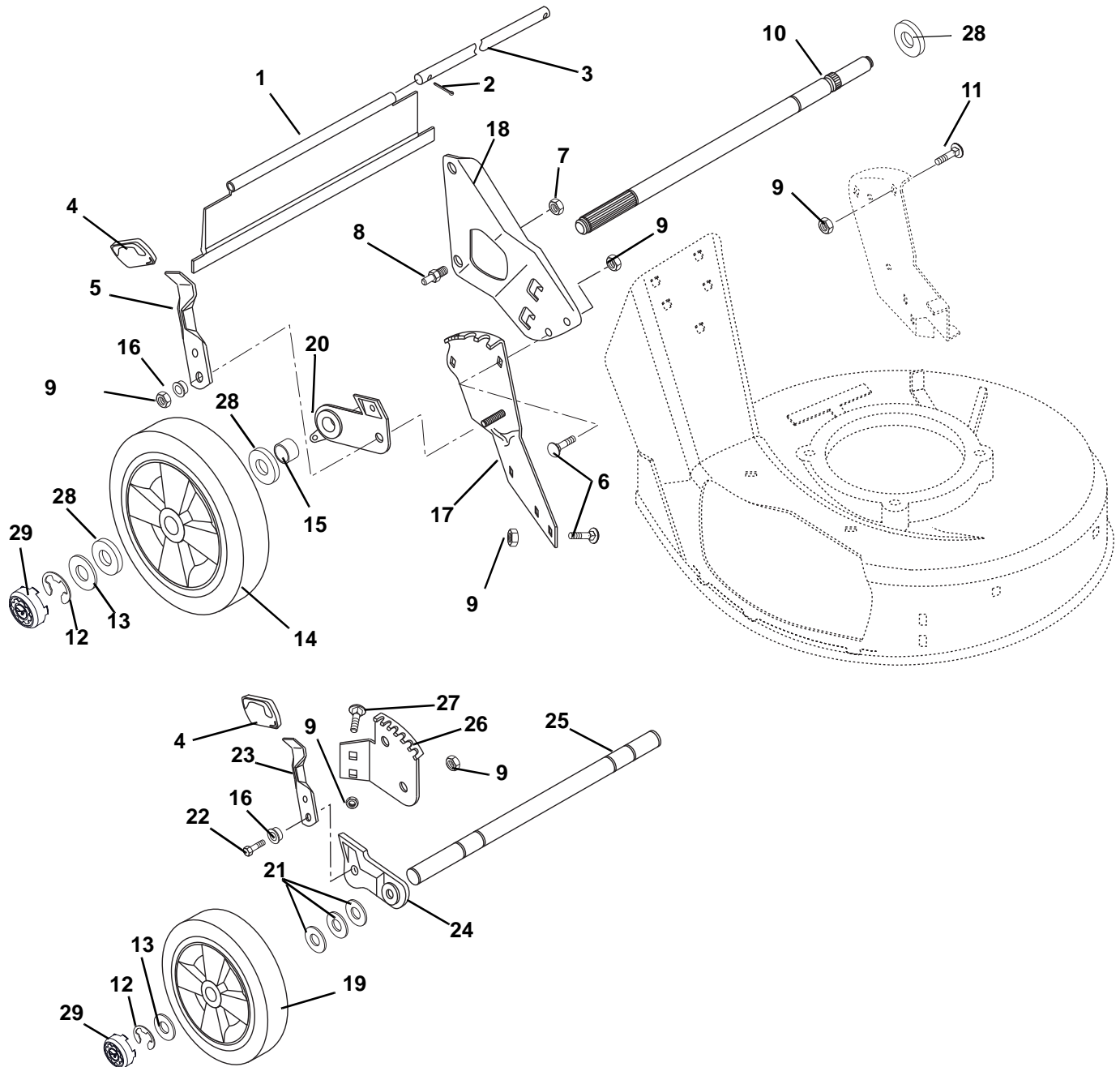
# MOWER PAN AND BAG

## Model 911170, 193, 194

Item	Part No.	Qty.	Description
1	04544100	1	Bagger, Ariens LM
2	04718951	1	Frame, Bagger
3	01136559	1	Door, Catcher Plate
4	07411900	4	Screw, Tapping Hex Washer 12-24 x .50
5	07414900	2	Screw, Tapping 10-24 x .38 Pan Head
6	01159759	1	Plate, Catcher
7	06220600	2	Bolt, Round Head Square Neck .25-20 x .50 Grade 5 (911194)
	06220600	1	Bolt, Round Head Square Neck .25-20 x .50 Grade 5 (911170, 193)
8	02215300	2	Nut, Push
9	08322400	1	Spring, Torsion .120 x .68 x 3.09
10	01141000	1	Pin, Door
11	01163500	1	Mulch Master Plug
12	06530100	5	Nut, Locking Flange .25-20 (911170)
13	06219900	2	Bolt, Round Head Square Neck .25-20 x .75 Grade 5 (911170, 193)
14	01155559	1	Hinge Base Weldment (911193, 194)
	01138259	1	Hinge Base (911170)
15	06308000	2	Washer, Locking .25 x .077
16	06533200	2	Nut, Hex .25-20
17	01159300	1	Nut, Wing (911193, 194)
18	04042459	1	Drive Cover (911193, 194)
19	00914700	NA	Trim Bumper (911193, 194)
20	51107500	1	Mower Pan Head with Decals (911193, 194)
	51107600	1	Mower Pan Head with Decals (911170)
21	07507600	3	Grommet, Plastic
22	01173700	1	Baffle, Center
23	07415000	3	Screw, Tapping 10-16 x .62 Hex Washer Head
24	01180200	1	Side Discharge Assembly
25	01180351	1	Side Discharge Cover
26	06436200	2	Washer, Flat Steel .406 x .812 x .065
27	06530200	2	Nut, Locking Nylon .312-18
28	06220800	2	Bolt, Round Head Square Neck .31-18 x .75 Grade 2 065149002Nut, Push .312
29	06222000	2	Bolt, Round Head Square Neck .31-18 x .50 Grade 5 (911170, 193)
30	01183559	1	Front Panel (911170, 193)
	06543100	2	Nut, Locking-Top-Flange .31-18 (911170, 193)
31	05967000	1	Bolt, Hex .38-16 x .50 Grade 5 (911170)
32	06534900	1	Nut, Locking Flange Nut, .375-16 (911170)
33	06435700	1	Washer, Flat Steel .38 x .875 x .083 (911170)
34	06529700	1	Nut, Locking Center .25-20 (911170)
35	05947900	3	Bolt, Hex .25-20 x .50 Grade 5 (911170)
36	06203900	2	Bolt, Round Head Square Neck .25-20 x .38

# WHEELS AND ADJUSTERS

Model 911170, 193, 194



Item	Part No.	Qty.	Description
1	07522300	1	Rear Protective Guard, Self Propelled (911193, 194)
	07522400	1	Rear Protective Guard, Push (911170)
2	06712400	2	Pin, Cotter .06 x .50
3	01140067	1	Rod
4	07513600	4	Knob (911170, 193)
	07513600	2	Knob (911194)
5	01242000	2	Lever, Height Adjustment
6	06212200	9	Bolt, Round Head Square Neck .31-18 x .62
7	06529600	2	Nut, Locking Center .38-16

# WHEELS AND ADJUSTERS

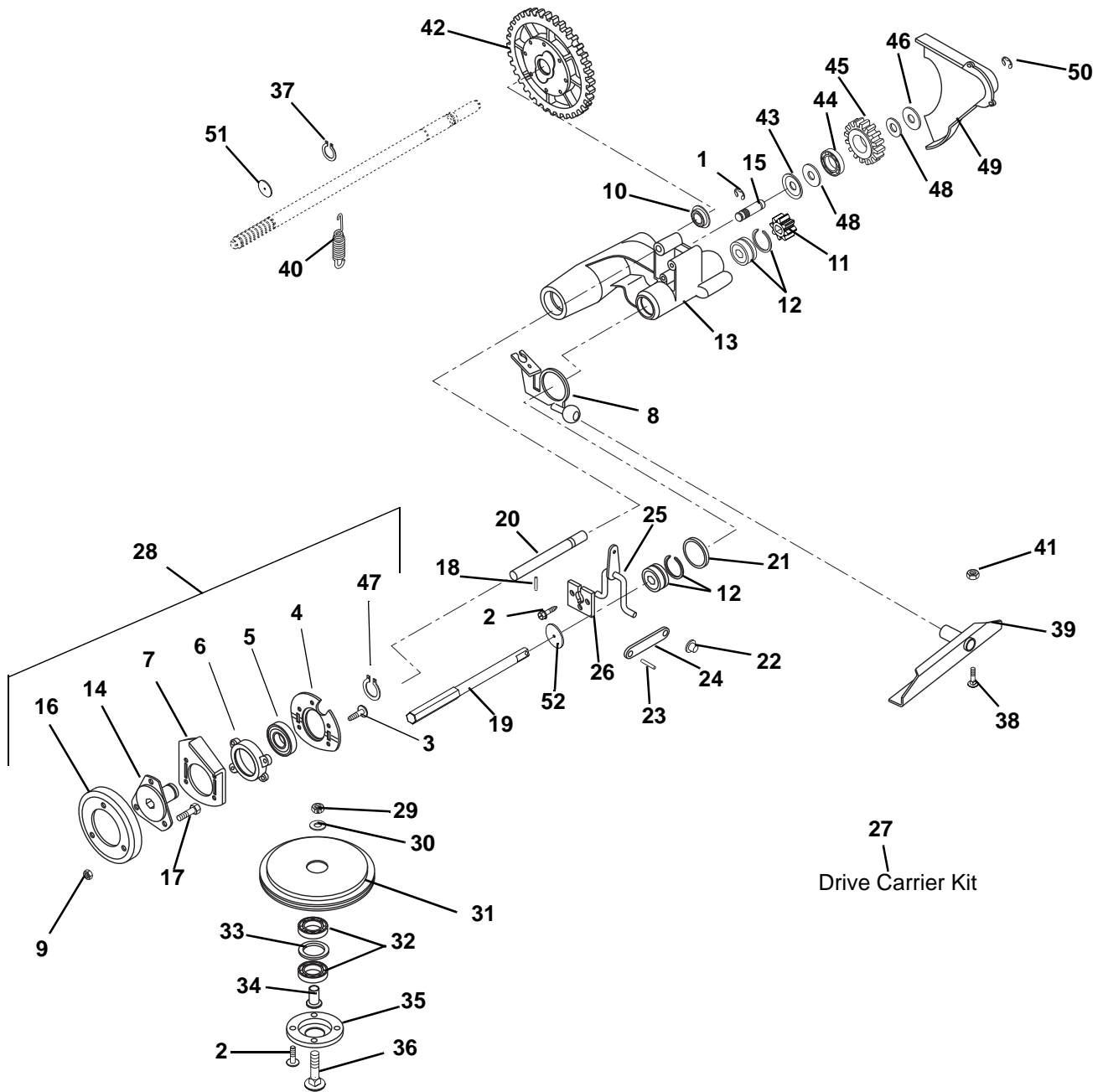
---

## Model 911170, 193, 194

Item	Part No.	Qty.	Description
8	01167100	2	Handlebar Stud
9	06543100	15	Nut, Locking-Top-Flange Center .31-18 (911170)
	06543100	10	Nut, Locking-Top-Flange Center .31-18 (911193)
	06543100	2	Nut, Locking-Top-Flange Center .31-18 (911194)
10	01149500	1	Rear Axle (911193, 194)
	01171900	1	Rear Axle (911170)
11	06200007	1	Bolt, Round Head Square Short Neck .31-18 x 1.00
12	05710200	2	Ring, Retaining External .50 x .042 (911194)
	05710200	4	Ring, Retaining External .50 x .042 (911170, 193)
13	06436600	14	Washer, Flat Steel .505 x .88 x .072 (911170)
	06436600	2	Washer, Flat Steel .505 x .88 x .072 (911194)
	06436600	10	Washer, Flat Steel .505 x .88 x .072 (911193)
14	07101035	1	Wheel, Assembly Classic LM - Left Hand (911193, 194)
	07101035	2	Wheel, Assembly Classic LM - Left Hand (911170)
	07101038	1	Wheel, 10.3" OD x 2" Wide RHS (911193, 194)
15	01149600	2	Spacer Tube (911193, 194)
	01149800	1	Spacer Tube (Left hand side only.) (911170)
16	05514800	4	Bushing, Flange .312 x .50 x .344 x .88 (911170, 193)
	05514800	2	Bushing, Flange .312 x .50 x .344 x .88 (911194)
17	01154251	1	Rear Quadrant-Left Hand
	01154351	1	Rear Quadrant-Right Hand
18	01137251	1	Bracket, Handlebar Mounting-Right Hand
	01137151	1	Bracket, Handlebar Mounting-Left Hand
19	07100935	2	Wheel, Front
20	04089400	1	Rear Adjuster Bracket-Left Hand (911193, 194)
	01150400	1	Rear Bracket and Bearing Assembly (911193, 194)
	01131200	1	Rear Bracket and Bearing Assembly Left Hand (911170)
	01131300	1	Rear Bracket and Bearing Assembly Right Hand (911170)
21	06441100	6	Washer, Flat Steel .520 x .827 x .062 (911170, 193)
22	05946900	2	Bolt, Hex .31-18 x 1.00 Grade 5 (911170, 193)
23	01120000	2	Lever, Front Height Adjustment (911170, 193)
24	01119800	1	Left Hand Bracket Assembly (911170, 193)
	01119900	1	Right Hand Bracket Assembly (911170, 193)
25	01168900	1	Front Axle (911170, 193)
26	01154051	1	Front Quadrant, Left Hand (911170, 193)
	01154151	1	Front Quadrant, Right Hand (911170, 193)
27	06222000	4	Bolt, Round Head Square Neck .31-18 x .50 Grade 5 (911170, 193)
28	05532400	3	Spacer .531 x 1.00 x .195 (911170)
29	07100939	4	Hub Cap, LM Wheel (911170, 193)
	07100939	2	Hub Cap, LM Wheel (911194)
30	06529800	2	Nut, Locking Center .31-18 (911170)

# FRICION WHEEL AND DRIVE

Model 911193, 194



# FRICION WHEEL AND DRIVE

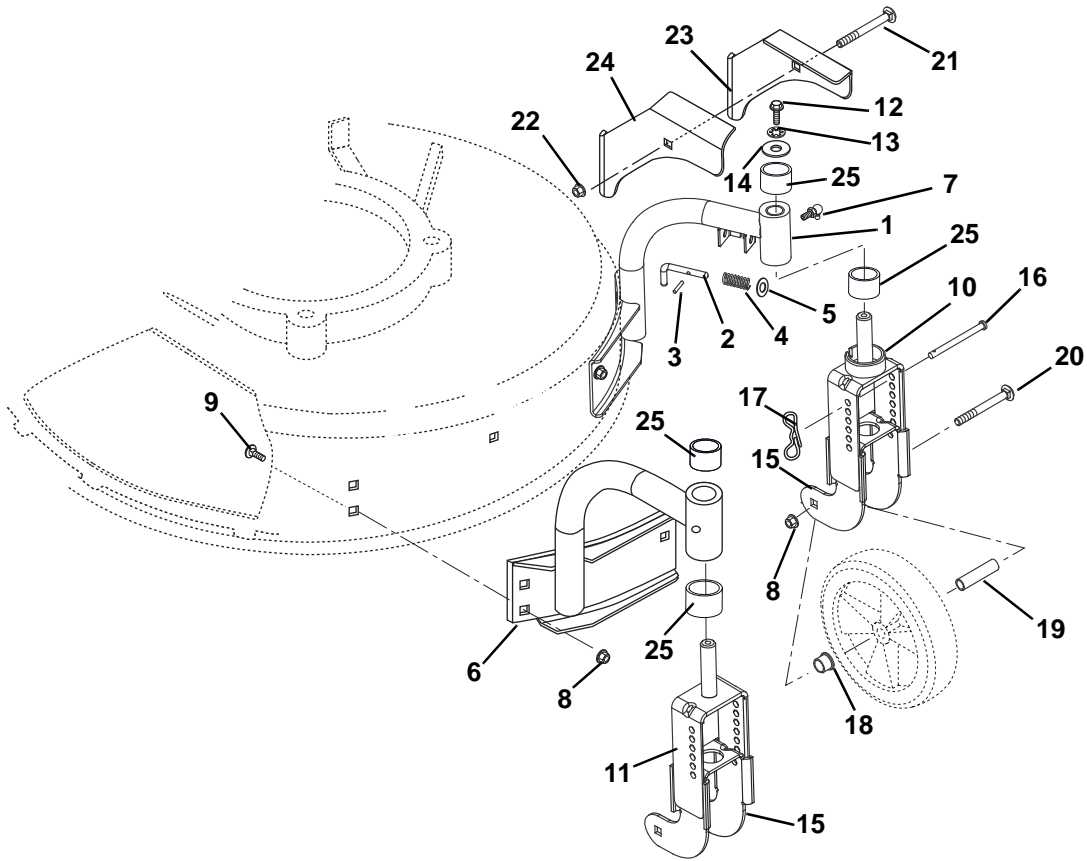
## Model 911193, 194

Item	Part No.	Qty.	Description
1	05705900	1	Ring, Retaining External .438 x .035
2	07411900	9	Screw, Tapping 12-24 x .50 Hex Washer Head
3	07415100	4	Screw, Tapping 5 x 0.8 x 16MM
4	01119200	1	Bearing Retainer
5	05416000	1	Bearing Ball 1.00 x 2.00 x .56
6	01131800	1	Bearing Retainer
7	00174500	1	Bearing Plate
8	01245700	1	Drive Actuator Weldment
9	06529700	3	Nut, Locking Center .25-20
10	05417500	2	Bearing, Ball .625 x 1.38 x .44
11	02201101	1	Pinion, D-Shaft
12*	05480000	2	Bearing, Ball .50 x 1.375 x .437
13	01140600	1	Drive Mount
14	01133500	1	Hub, Friction Wheel
15	01139700	1	Idler Shaft
16	03248300	1	Disc, Friction
17	05947900	3	Bolt, Hex .25-20 x .50 Grade 5
18	05800500	1	Pin, Roll .188 x .88
19	01281700	1	Shaft, Friction Disk
20	01125100	1	Rod, Guide
21	06421600	1	Washer, Flat Steel 1.390 x 2.00 x .020
22	02215300	2	Push Nut .25
23	05803500	2	Pin, Roll .125 x .50
24	01124200	2	Shift Link
25	01123600	1	Shift Arm Weldment
26	01125000	1	Retainer Plate
27	51108900	1	Kit, LM Drive Carrier (Includes Items 1 - 26)
28	51109700	1	Friction Wheel Assembly
29	06529800	1	Nut, Locking Center .31-18
30	06439100	1	Washer, Flat Steel .38 x .87 x .179
31	01127300	1	Friction Sheave
32*	05435100	2	Bearing, Ball .625 x 1.375 x .43
33	06420200	1	Washer, Flat Steel 1.062 x 1.344 x .032
34	01127400	1	Spindle, Bearing
35	01127500	1	Bearing, Retainer
36	06220200	1	Bolt, Round Head Square Neck .31-18 x 1.75 Grade 5
37	05711900	2	Ring, Retaining External .579 x .930
38	06212200	2	Bolt, Round Head Square Short Neck .31-18 x .62
39	01161959	1	Pivot Channel Weldment
40	08325200	1	Spring, Tension .051 x .60 x 2.25
41	06543100	2	Nut, Locking-Top-Flange .31-18
42	61125600	1	Differential Assembly
43	01135100	1	Retainer
44*	05408000	1	Bearing, Ball .50 x 1.38 x .437
45	01131700	1	Idler Gear
46	06425300	1	Washer, Flat Steel .531 x 1.00 x .063
47	05706200	1	Ring, Retaining External 1.00 x .042
48	06441100	2	Washer, Flat Steel .520 x .827 x .062
49	01121051	1	Gear Cover
50	05705900	1	Ring, Retaining External .438 x .035
51	06445100	1	Washer, Flat Steel .630 x 1.250 x .062
52	06436600	1	Washer, Flat Steel .505 x .880 x .072

\* Available as individual components or part of 51105600 Service Kit which consists of (4) 05435100, (1) 05408000, (2) 05413700 and (2) 05417500.

# SWIVEL WHEELS AND BRACKETS

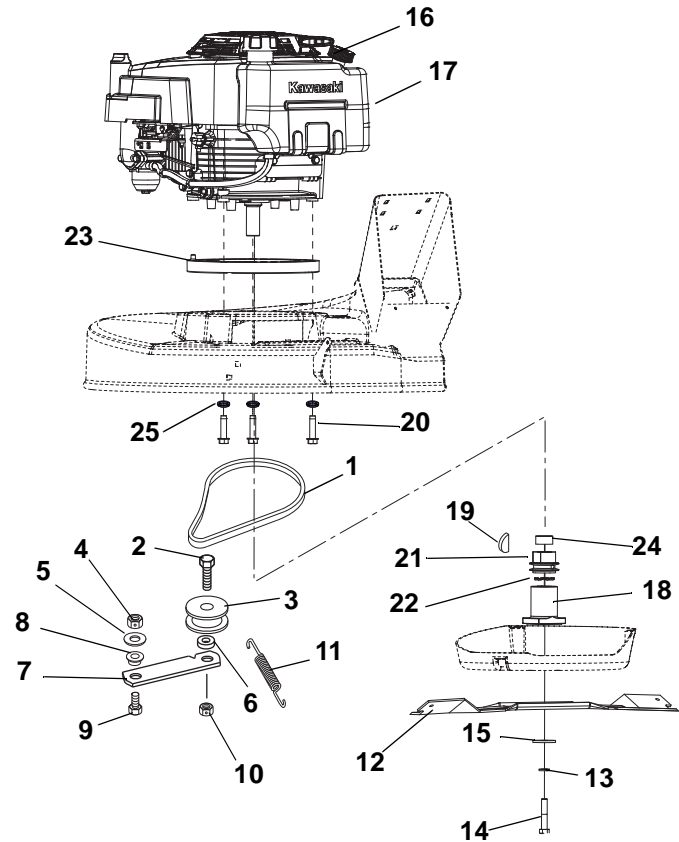
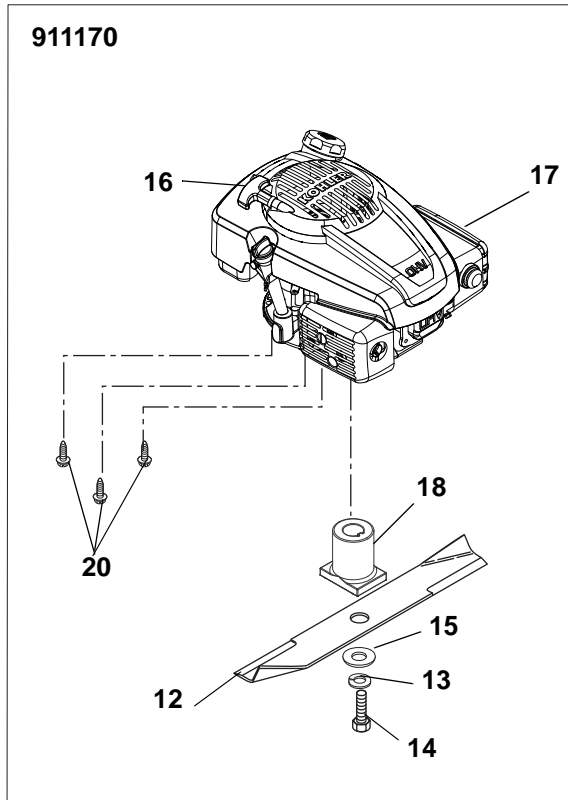
Model 911194



Item	Part No.	Qty.	Description
1	01197059	1	Weldment, Left Hand Mount
2	01196900	1	Pin, Lockout
3	05801000	1	Pin, Roll .094 x .50
4	08337300	1	Spring, Compression - Swivel Lockout
5	06437300	1	Washer, Flat Steel .281 x .62 x .065
6	01197659	1	Weldment, Right Hand Mount
7	07012600	2	Fitting, Lube .25-28 x .256
8	06543100	8	Nut, Spin Lock Flange .312-18
9	06222000	6	Bolt, Round Head Square Neck .31-18 x .50 Grade 5
10	01196759	1	Yoke, Left Hand Outer
11	01197459	1	Yoke, Right Hand Outer
12	05946800	2	Bolt, Hex .25-20 x .75 Grade 5
13	06308000	2	Washer, Locking .25 x .062 Regular
14	06426600	2	Washer, Flat Steel .28 x 1.00 x .063
15	01196600	2	Yoke, Inner
16	06817100	2	Pin, Height Adjustment
17	06700001	2	Pin, Bow Tie Locking Cotter
18	05502100	2	Bushing, Flange .50 x .625 x .50 x .75
19	05533500	2	Spacer, Wheel
20	06212300	2	Bolt, Round Head Square Neck .31-18 x 2.75
21	06222300	1	Bolt, Round Head Square Neck .25-20 x 1.50 Grade 5
22	06530100	1	Nut, Locking Flange .25-20
23	01197359	1	Bracket, Hood Cable Left Hand
24	01198159	1	Bracket, Hood Cable Right Hand
25	05504700	4	Bushing, Sleeve .625 x .750 x .500 Bracket

# ENGINE, BLADE AND BELT

Model 911170, 193, 194



Item	Part No.	Qty.	Description
1	07217100	1	V-Belt 3L Section (911193, 194)
2	05962800	1	Bolt, Hex .44-14 x 1.50 Grade 5 (911193, 194)
3	07313300	1	Idler, Flat 1.75 x .47 (911193, 194)
4	06529800	1	Nut, Locking Center .31 -18 (911193, 194)
5	06437200	1	Washer, Flat Steel .344 x .688 x .065 (911193, 194)
6	05533300	1	Bushing, Sleeve .469 x .75 x .43 (911193, 194)
7	01141200	1	Idler Arm (911193, 194)
8	05515400	1	Bushing, Flange .325 x .501 x .250 x 1.120 (911193, 194)
9	05947000	1	Bolt, Hex .31-18 x .75 Grade 5 (911193, 194)
10	06536400	1	Nut, Locking Center .44-14 (911193, 194)
11	08321100	1	Spring, Tension .043 x .44 x 3.31 (911193, 194)
12	01137000	1	Blade, 21" Mower
13	06308800	1	Washer, Locking .38 x .094
14	05976600	1	Bolt, Hex .38-24 x 2.00 Grade 8 (911170)
	05990000	1	Bolt, Hex .38-24 x 2.75 Grade 8 (911193, 194)
15	06441700	1	Washer, Flat Steel .390 x 1.50 x .125
16	01157100	1	Recoil Start Handle
17	08201007	1	Engine, Kohler XT-8 50 State (911170)
	08200819	1	Engine, Kawasaki FJ180 Pro-50 State (911193, 194)
18	09735100	1	Adapter, Blade (911170)
	09736900	1	Adapter, Blade (911193, 194)
19	06600900	1	Key, Woodruff .156 x .625 x .25 SAE #6 (911193, 194)
20	07414100	3	Screw, Tapping .38-16 x 1.00 Hex Washer Head (911170)
	07400105	3	Screw, Tapping .38-16 x 1.50 Hex Washer Head (911193, 194)
21	09737000	1	Pulley, Crank (911193, 194)
22	01192900	1	Washer, Wave .885 x 1.311 x .125 (911193, 194)
23	04042000	1	Plate, Engine Shim (911193, 194)
24	05501011	1	Spacer, .875 x 1.125 x .525 (911193, 194)
25	05501103	3	Spacer .75 x .515 x .12 (911193, 194)



Ariens Company  
655 West Ryan Street  
Brillion, WI 54110

**[ariensstore.com](http://ariensstore.com)**  
(Dealer Locator)

**[ariens.custhelp.com](http://ariens.custhelp.com)**  
(Customer Support)

An *Ariens* Company Brand