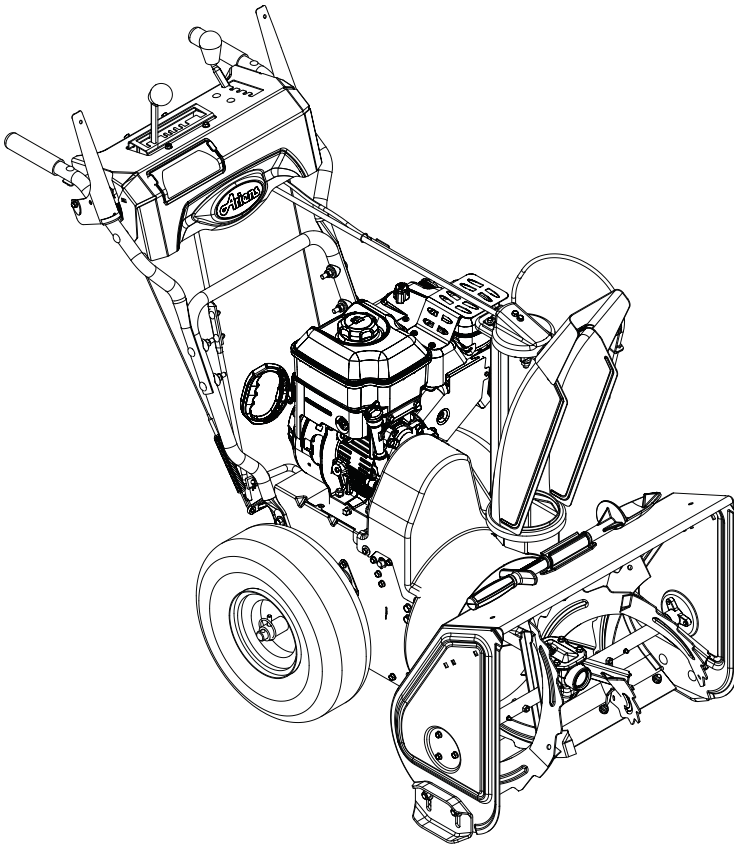




THE KING OF SNOW®

Sno-Thro® 920 Series

Parts Manual



Models

920013 – Compact 22
(SN 123000+)

920014 – Compact 24
(SN 123000+)

920317 – Compact 22
(SN 123000+)

920316 – Compact 24
(SN 123000+)

920021 – Compact 24
(SN 000101+)

920022 – Compact 24 Track
(SN 000101+)

920318 – Compact 24 Track
(SN 123000+)

920321 – Compact 24
(SN 000101+)

920325 – Compact 20
(SN 000101+)

920326 – Compact 22
(SN 000101+)



The use of any gasoline exceeding 10% ethanol (E10) or 10% MTBE will void the product warranty.
L'utilisation d'une essence contenant plus de 10% d'éthanol (E10) ou de 10% de MTBE annule la garantie.
El uso de cualquier otro tipo de gasolina con un porcentaje superior al 10% de etanol (E10) o al 10% de MTBE invalidará la garantía del producto.

THE MANUAL

Before you operate your unit, carefully and completely read manuals supplied with the unit. The contents will provide you with an understanding of safety instructions and controls during normal operation and maintenance.

For your safety and the safety of others always read, understand, and follow all DANGER, WARNING, and CAUTION messages found in manuals and on safety decals.

Hardware descriptions are given in decimals.

Decimals to Fractions			
.063	1/16	.563	9/16
.125	1/8	.625	5/8
.188	3/16	.688	11/16
.250	1/4	.750	3/4
.313	5/16	.813	13/16
.375	3/8	.875	7/8
.438	7/16	.938	15/16
.500	1/2	1.00	1

SERVICE AND REPLACEMENT PARTS

When ordering replacement parts or making service inquiries, know the Model and Serial numbers of your unit and engine.

Numbers are located on the product registration card in the unit literature package. They are printed on a serial number label, located on the frame of your unit.

- Record Unit Model and Serial numbers here:

- Record Engine Model and Serial numbers here:

UNAUTHORIZED REPLACEMENT PARTS

Use only Ariens replacement parts. The replacement of any part on this vehicle with anything other than an Ariens authorized replacement part may adversely affect the performance, durability, or safety of this unit and may void the warranty. Ariens disclaims liability for any claims or damages, whether warranty, property damage, personal injury or death arising out of the use of unauthorized replacement parts.

PRODUCT REGISTRATION

The Ariens dealer must register the product at the time of purchase. Registering the product will help the company process warranty claims or contact you with the latest service information. All claims meeting requirements during the limited warranty period will be honored, whether or not the product registration card is returned. Keep a proof of purchase if you do not register your unit.

Customer Note: If Dealer does not register your product, please fill out, sign and return the product registration card to Ariens or go to www.ariens.com.

YOUR SATISFACTION IS IMPORTANT

Questions? Please follow these helpful steps:

1. Refer to the manuals supplied with your unit.
They will guide you through safe and proper operation and maintenance.
They contain specifications on your unit.
If your questions are not answered in these manuals, go to step number two.
2. Contact Your Dealer.
Our dealers will be happy to supply any service or advice required to keep your unit operating at peak efficiency.
A factory trained staff is available to support your equipment needs. They stock genuine Ariens parts and lubricants manufactured with the same precision and skill as the original.
If your questions are not resolved by the support staff, ask for the manager or owner.
When contacting your Dealer supply your model and serial numbers.

TO SPEED PARTS ORDERING:

1. Know the model and serial numbers of your unit.
2. Know the part number required.
3. Know the quantity required.
4. Know the part description.

MODELS

Domestic

Model 920013 (Compact 22)

22" Sno-Thro, 120V Electric Start

Serial No. 123000 and up

Model 920014 (Compact 24)

24" Sno-Thro, 120V Electric Start

Serial No. 123000 and up

Model 920021 (Compact 24)

24" Sno-Thro, 120V Electric Start

Serial No. 000101 and up

Model 920022 (Compact 24 Track)

24" Sno-Thro, 120V Electric Start

Serial No. 000101 and up

International

Model 920316 (Compact 24)

24" Sno-Thro, 240V Electric Start

Serial No. 123000 and up

Model 920317 (Compact 22)

22" Sno-Thro, Recoil Start

Serial No. 123000 and up

Model 920318 (Compact 24 Track)

24" Sno-Thro, 240V Electric Start

Serial No. 123000 and up

Model 920321 (Compact 24)

24" Sno-Thro, 240V Electric Start

Serial No. 000101 and up

Model 920325 (Compact 20)

20" Sno-Thro, 240V Electric Start

Serial No. 000101 and up

Model 920326 (Compact 22)

22" Sno-Thro, 240V Electric Start

Serial No. 000101 and up

TABLE OF CONTENTS

DECALS

Decals 4

ENGINE AND DRIVE

Engine and Belt Drive 6
Engine – 08200712 Ariens 208cc 8
Friction Drive 14
Friction Drive – Track 16
Wheels and Axles 18
Track 19
Gear Case and Impeller 21
Handlebars and Controls 23

FRAME AND HOUSING

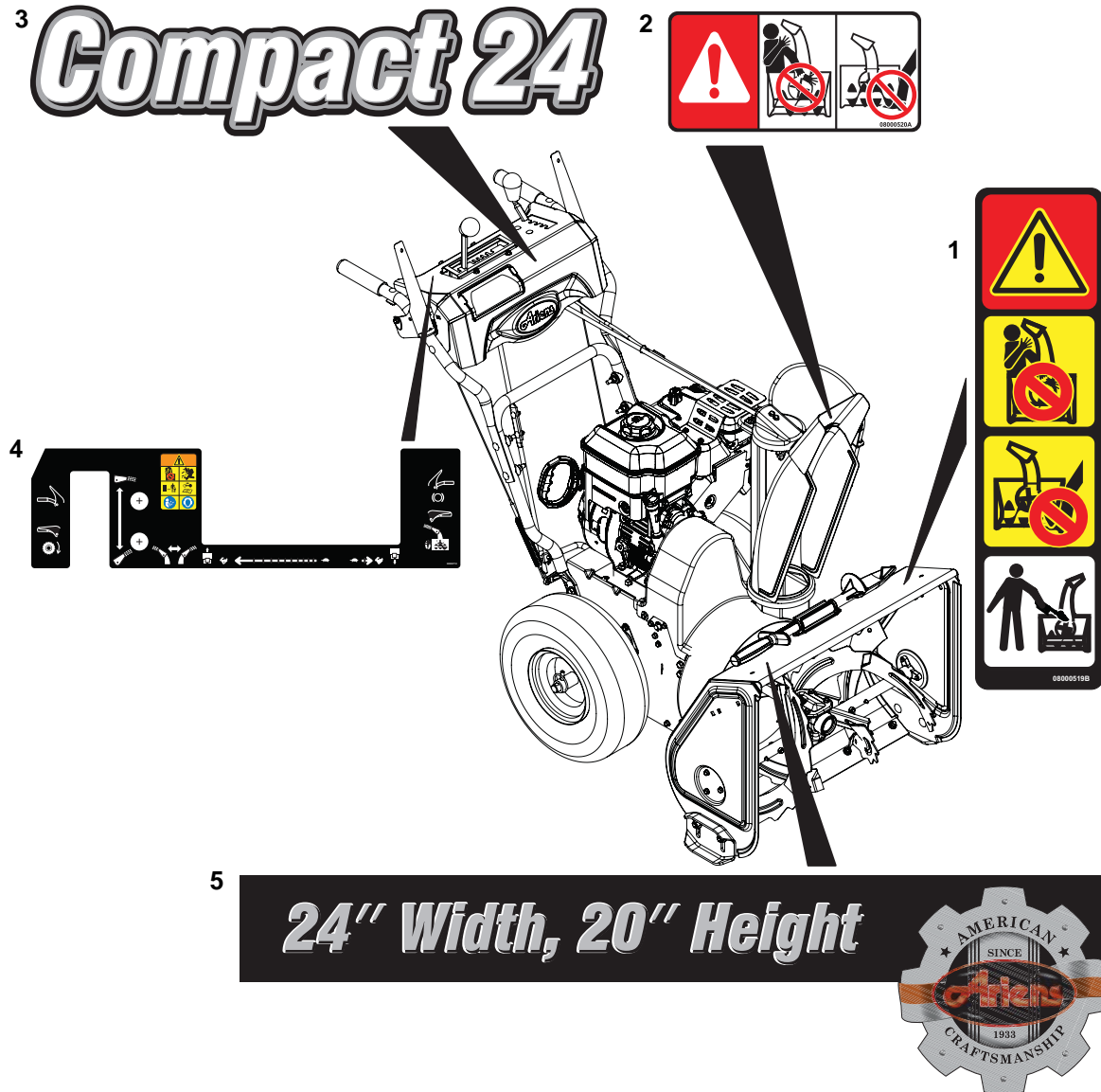
Auger and Chute 27
Discharge Chute Crank 29

ELECTRICAL

Electrical and Wiring Diagram 31

DECALS

Model 920013, 014, 021, 022, 316, 317, 318, 321, 325, 326

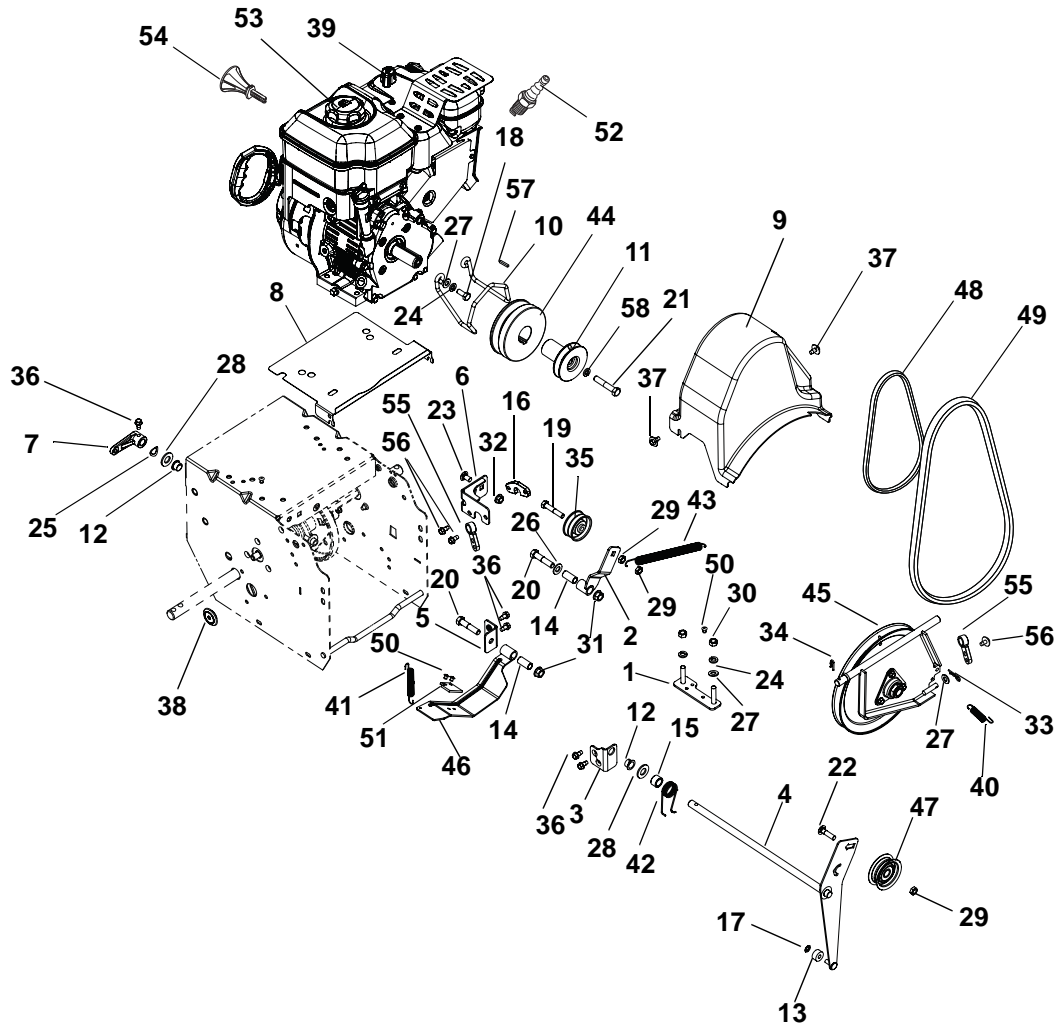


Item	Part No.	Qty.	Description
1	08000519	1	Decal, Danger, Rotating Parts
2	08000520	1	Decal, Danger
3	08000333	1	Decal, Compact 20 (920325)
	08000514	1	Decal, Compact 22 (920013, 317, 326)
	08000334	1	Decal, Compact 24 (920014, 021, 022, 316, 318, 321)
4	08000711	1	Decal, Control (920013, 317, 326, 325)
	08000712	1	Decal, Control (920014, 316, 021, 321)
	08000835	1	Decal, Control (920022, 318)
5	08000704	1	Decal, Housing, 22 (920013, 317, 326)
	08000703	1	Decal, Housing, 24 (920014, 021, 022, 316, 318, 321)
	08000513	1	Decal, Ariens Heritage (920325)

NOTES

ENGINE AND BELT DRIVE

Model 920013, 014, 021, 022, 316, 317, 318, 321, 325, 326



Item	Part No.	Qty.	Description
1	00188400	2	Strap, Engine Bolt (920022, 318)
	04334100	2	Strap, Engine Bolt (920013, 014, 021, 316, 317, 321, 325, 326)
2	00493667	1	Arm, Traction Idler
3	00495051	1	Bracket, Mount, Idler Arm
4	00495167	1	Idler Arm
5	00495251	1	Bracket, Brake Mount
6	00657051	1	Bracket, Frame
7	01987100	1	Arm, Clutch
8	03880851	1	Baffle
9	03881000	1	Cover, Belt
10	03881600	1	Finger, Belt
11	04498800	1	Sheave, Auger
12	05500026	2	Bushing, Polyliner
13	05500037	1	Bushing, Sleeve
14	05500106	2	Bushing, Sleeve
15	05500107	1	Bushing, Sleeve
16	05500113	1	Spacer
17	05717600	1	Retaining Ring, External .250 x .010

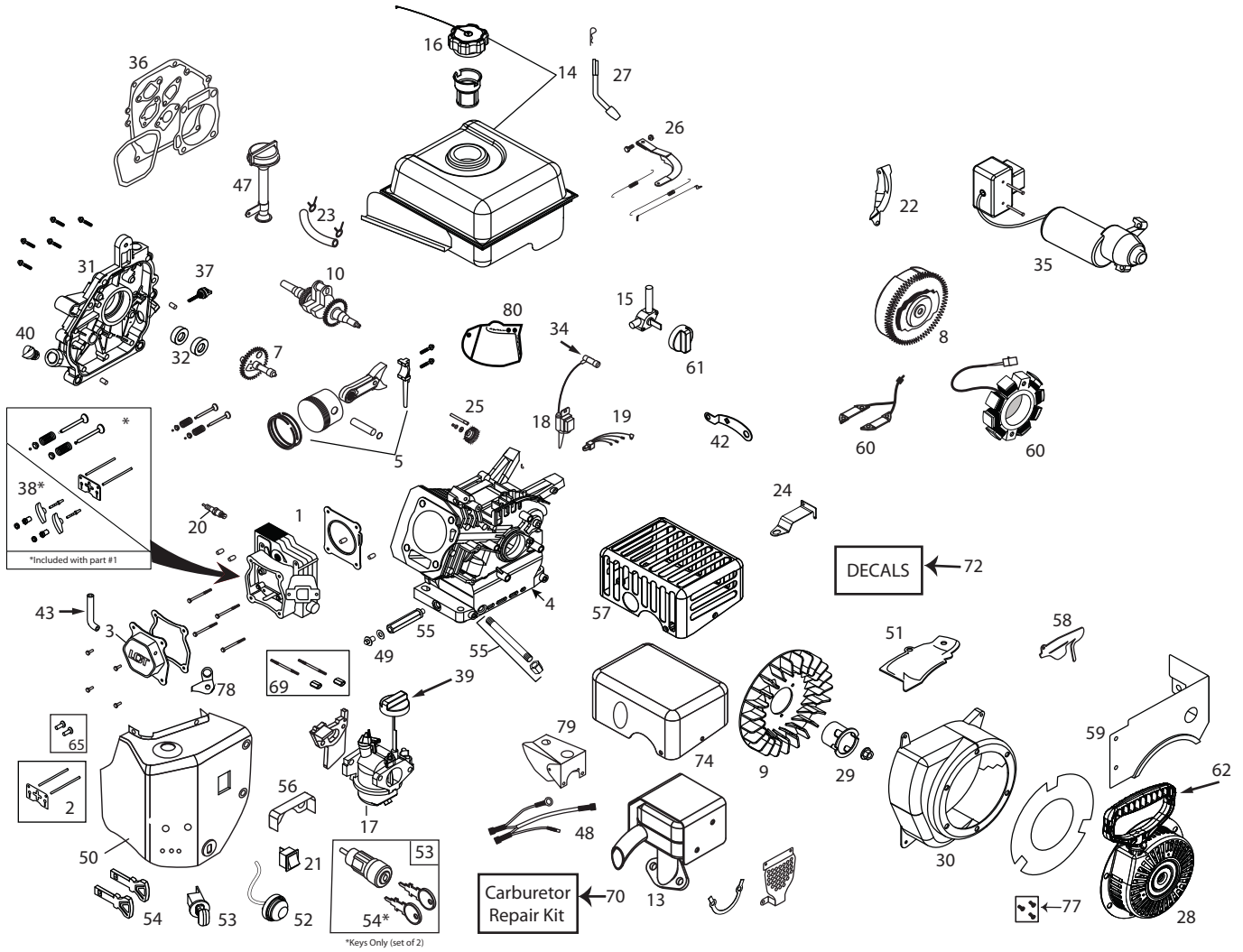
ENGINE AND BELT DRIVE

Model 920013, 014, 021, 022, 316, 317, 318, 321, 325, 326

Item	Part No.	Qty.	Description
18	05947300	2	Bolt, Hex .31-24 x .75
19	05957400	1	Bolt, Hex .31-18 x 1.75
20	05958500	2	Bolt, Hex .38-16 x 1.75
21	05901401	1	Bolt, Hex .31-24 x 1.75 (920013, 014, 021, 022, 316, 317, 318)
	05958600	1	Bolt, Hex .38-24 x 2.00 (920321, 325, 326)
22	06200124	1	Bolt, Round Head Square Short Neck .31-18 x 1.13
23	06212200	1	Bolt, Round Head Square Short Neck .31-18 x .62
24	06307400	6	Washer, Lock .31 x .097
25	06400005	1	Washer, Wave
26	06436200	1	Washer, Flat Steel .406 x .812 x .065
27	06437200	4	Washer, Flat Steel .344 x .688 x .065 (920013, 014, 021, 316, 317)
	06437200	3	Washer, Flat Steel .344 x .688 x .065 (920022, 318, 321, 325, 326)
28	06441900	2	Washer, Flat Steel .531 x 1.06 x .095
29	06500011	3	Nut, Locking Center Jam .31-18
30	06529200	4	Nut, Hex .31-18
31	06542000	2	Nut, Locking Top Flange .38-16
32	06543100	1	Nut, Locking Top Flange .31-18
33	06713500	1	Pin, Hair, Internal .08 x .18 x 1.18
34	06944800	1	Clip, Spring
35	52007100	1	Idler Kit
36	07400034	5	Screw, Tapping Hex Washer Head Thread Rolling .25-20 x .50
37	07400108	2	Screw, Tapping Captive .25-20 x .50
38	07500102	2	Plug, Hole (920013, 014, 021, 316, 317, 321, 325, 326)
39	08200712	1	Engine, Ariens 208CC 120V, 60W (920013, 021, 022)
	08200922	1	Engine, Ariens AX208 240V, 60W (920318, 321, 325, 326)
	08200813	1	Engine, Briggs and Stratton 208cc, 240V, 60W (920316)
	08200815	1	Engine, Briggs and Stratton 208cc, 120V, 60W (920014)
	08200804	1	Engine, Briggs and Stratton Snow 900 Series Recoil (920317)
40	08300036	1	Spring
41	08300104	1	Spring
42	08300326	1	Spring
43	08300528	1	Spring (920013, 014, 021, 316, 317, 321, 325, 326)
	08300538	1	Spring (920022, 318)
44	04414000	1	Sheave, Traction (920013, 014, 021, 316, 317, 321, 325, 326)
	04553400	1	Sheave, Traction (920022, 318)
45	52105000	1	Plate, Swing Assembly
46	52000500	1	Arm, Brake w/Pad (Includes Items 51 and 52)
47	52007000	1	Idler Kit
48	07200603	1	V-Belt, Drive (920013, 014, 021, 316, 317, 321, 325, 326)
	07200114	1	V-Belt, Drive (920022, 318)
49	07200513	1	V-Belt, Auger
50	06800028	4	Rivet, Pop – .187 (2 Included with Item 47)
51	00180500	1	Brake Pad (Included with Item 47)
52	21547400	1	Spark Plug (920013, 021, 022, 318, 321, 325, 326)
	21534100	1	Spark Plug (920014, 316, 317)
53	07500112	1	Fuel Cap (920013, 021, 022, 318, 321, 325, 326)
	07500215	1	Fuel Cap (920014, 316, 317)
54	07500111	1	Key, Push/Pull – LCT (920013, 021, 022, 318, 321, 325, 326)
	07500130	1	Key, Rotary – Briggs & Stratton (920014)
	07500012	1	Key, Push/Pull – Briggs & Stratton (920316, 317)
55	03374500	2	Support Bushing, Swing Gate
56	07400111	3	Screw, Tapping Hex Washer Head Thread Rolling .25-20 x .75
57	06606100	1	Key-Square .188X.75X.188 (920022, 318)
58	06307400	1	Washer-Lock .31X.097 (920013, 014, 021, 022, 316, 317, 318)
	06308800	1	Washer-Lock .38X.094 (920321, 325, 326)

ENGINE – 08200712 ARIENS 208CC

Model 920013, 021, 022



ENGINE – 08200712 ARIENS 208CC

Model 920013, 021, 022

Item	Part No.	Qty.	Description
1	20001218	1	CYLINDER HEAD ASSM (W/GASKET)
2	20001219	1	PUSH ROD & PLATE KIT (W/GASKT)
3	20001250	1	VALVE COVER (W/GASKET)
4	20001003	1	CYLINDER
5	20001222	1	PISTON & ROD ASSEMBLY
6	20001223	1	CONNECTING ROD ASSEMBLY
7	20001224	1	CAMSHAFT - MCR (W/COVER GASKT)
8	20001040	1	FLYWHEEL - ELECTRIC START
9	20001248	1	COOLING FAN - FLYWHEEL
10	20001072	1	CRANKSHAFT (#18 KEYED)
11			
12			
13	20001016	1	MUFFLER ASSEMBLY
14	20001025	1	FUEL TANK (W/PLASTIC CAP)
15	20001162	1	FUEL TANK ON/OFF VALVE
16	07500112	1	CAP, FUEL (LCT 208)
17	20001027	1	CARBURETOR (W/GSKTS & SPACER)
18	20001042	1	IGNITION COIL (CDI) (STANDARD)
19			
20	20001113	1	SPARK PLUG - PLATINUM
21	20001033	1	ON/OFF SWITCH - ROCKER
22	20001226	1	SHIELD - FLYWHEEL (ELECTRIC)
23	20001253	1	FUEL HOSE KIT 1/4-230MMW/CLMPS
24	20001080	1	SPEED CONTROL BRACKET (FIXED)
25	20001236	1	GOVERNOR GEAR ASSEMBLY
26	20001237	1	GOVERNOR ARM & LNK KIT 3600RPM
27	20001238	1	GOVERNOR ARM PADDLE
28	20001054	1	RECOIL STARTER ASSY RND-BLACK
29	20001056	1	STARTER CUP RND STYLE STARTER
30	20001173	1	BLOWER HSG (GLS BLK W/FRT DRN)
31	20001241	1	CRANKCASE COVER ASSY W/GASKET
32	20001247	1	OIL SEAL KIT(2 PCS 3/4" CRANK)
33			
34	20001158	1	SPARK PLUG BOOT (W/MTL SHIELD)
35	20001030	1	120V ELECTRIC STARTER
36	20001249	1	ENGINE GASKET KIT
37	20001244	1	SMALL BLACK OIL DIPSTICK
38	20001221	1	ROCKER ARM KIT (W/GASKET)
39	20001145	1	CHOKE CONTROL KNOB (RED)
40	20001243	1	NON-REMOVABLE PLASTIC PLUG
41			
42			
43	20001251	1	BREATHER TUBE
44			
45			
46			

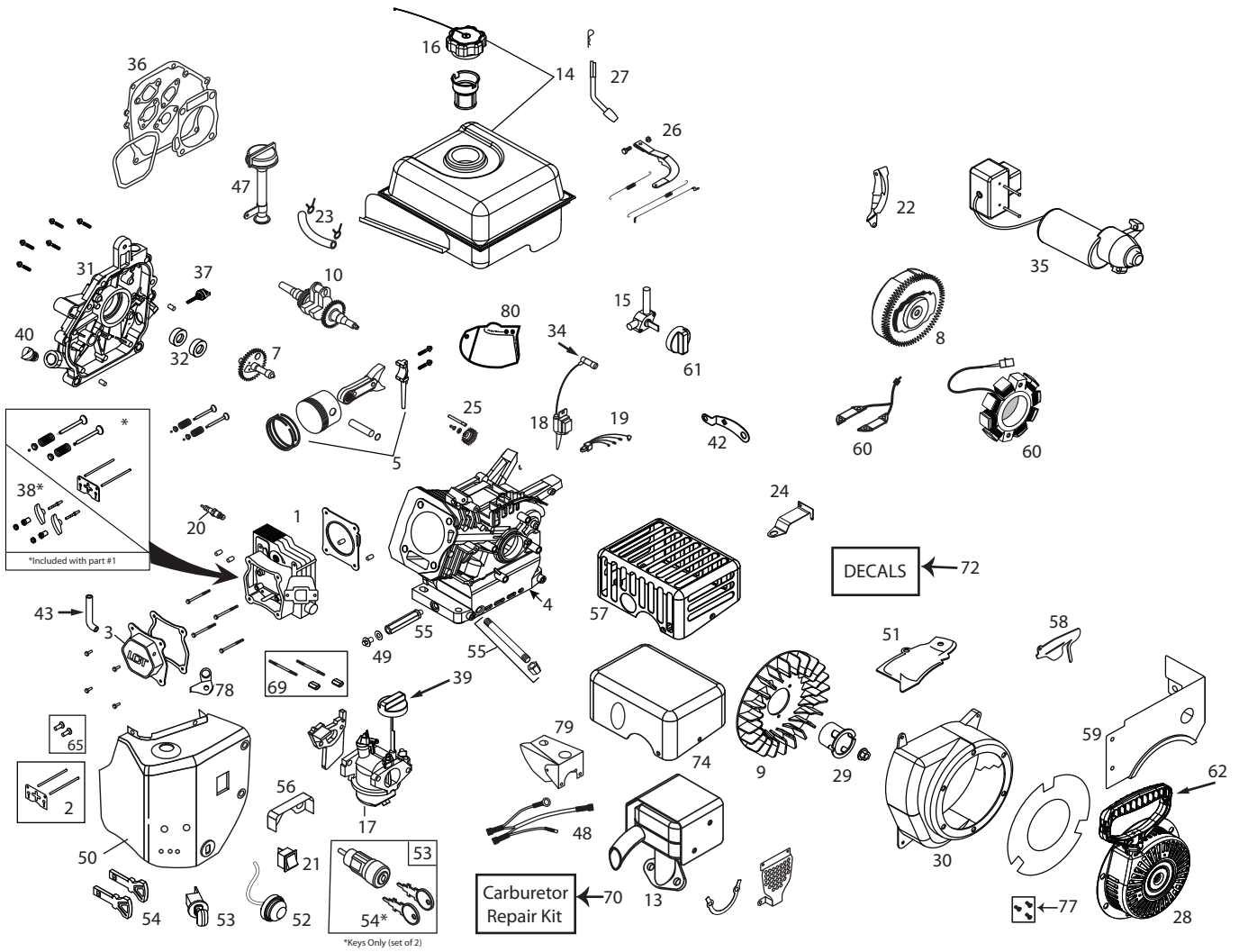
ENGINE – 08200712 ARIENS 208CC

Model 920013, 021, 022

Item	Part No.	Qty.	Description
47	20001242	1	HIGH OIL-FILL TUBE/DIPSTICK
48	20001013	1	WIRE HARNESS
49	20001255	1	OIL DRAIN PLUG (W/WASHER)
50	20001006	1	HEATER BOX KIT
51	20001062	1	SHIELD - CYLLNDER
52	20001023	1	PRIMER BULB WITH HOSE-SNOW
53	20001031	1	SAFETY KEY SWITCH (W/KEYS)
54	07500111	1	KEY, PUSH/PULL LCT (2/PACKAGE)
55	20001068	1	OIL DRAIN TUBE
56	20001012	1	CARBURETOR VAPOR SHIELD
57	20001017	1	CE COMPLIANT MUFFLER SHIELD
58	20001051	1	SHIELD - GOVERNOR LINKAGE
59	20001007	1	FUEL TANK SKIRT
60	20001039	1	CHARGING COIL (60-WATT AC)
61	20001148	1	FUEL CONTROL KNOB (RED)
62	0001058	1	STARTER GRIP
63			
64			
65	20001220	1	TAPPET KIT (SET OF 2)
66			
67			
68			
69	20001024	1	CARBURETOR STUDS & COUPLNG KIT
70	20001184	1	CARBURETOR REPAIR KIT
71			
72	20001001	1	STORMFORCE LABEL KIT
73			
74	20001019	1	MUFFLER HEAT SHIELD COVER
75			
76			
77	20001186	1	RECOIL BOLT KIT
78	20001079	1	BREATHER TUBE BRACKET
79	20001081	1	CARBURETOR COVER
80			
81	20001333	1	WOODRUFF FLYWHEEL KEY 5-PACK
82	20001330	1	CARBURETOR SPACER

ENGINE – 08200922 ARIENS 208CC

Model 920318, 920321, 920325, 920326



ENGINE – 08200922 ARIENS 208CC

Model 920318, 920321, 920325, 920326

Item	Part No.	Qty.	Description
1	20001218	1	CYLINDER HEAD ASSM (W/GASKET)
2	20001219	1	PUSH ROD & PLATE KIT (W/GASKT)
3	20001264	1	VALVE COVER (W/GASKET)
4	N/A	1	
5	20001222	1	PISTON & ROD ASSEMBLY
6	20001223	1	CONNECTING ROD ASSEMBLY
7	20001224	1	CAMSHAFT - MCR (W/COVER GASKT)
8	20001040	1	FLYWHEEL - ELECTRIC START
9	20001248	1	COOLING FAN - FLYWHEEL
10	20001072	1	CRANKSHAFT (#18 KEYED)
11			
12			
13	20001016	1	MUFFLER ASSEMBLY
14	20001028	1	FUEL TANK GLOSS BLACK
15	20001162	1	FUEL TANK ON/OFF VALVE
16	07500112	1	CAP, FUEL (LCT 208)
17	20001027	1	CARBURETOR (W/GSKTS & SPACER)
18	20001042	1	IGNITION COIL (CDI) (STANDARD)
19			
20	20001113	1	SPARK PLUG - PLATINUM
21	20001033	1	ON/OFF SWITCH - ROCKER
22	20001226	1	SHIELD - FLYWHEEL (ELECTRIC)
23	20001253	1	FUEL HOSE KIT 1/4-230MMW/CLMPS
24	20001080	1	SPEED CONTROL BRACKET (FIXED)
25	20001236	1	GOVERNOR GEAR ASSEMBLY
26	20001237	1	GOVERNOR ARM & LNK KIT 3600RPM
27	20001238	1	GOVERNOR ARM PADDLE
28	20001054	1	RECOIL STARTER ASSY RND-BLACK
29	20001056	1	STARTER CUP RND STYLE STARTER
30	20001173	1	BLOWER HSG (GLS BLK W/FRT DRN)
31	20001241	1	CRANKCASE COVER ASSY W/GASKET
32	20001247	1	OIL SEAL KIT(2 PCS 3/4" CRANK)
33			
34	20001158	1	SPARK PLUG BOOT (W/MTL SHIELD)
35	20001037	1	230V ELECTRIC STARTER
36	20001249	1	ENGINE GASKET KIT
37			
38	20001221	1	ROCKER ARM KIT (W/GASKET)
39	20001145	1	CHOKE CONTROL KNOB (RED)
40	20001243	1	NON-REMOVABLE PLASTIC PLUG
41			
42			
43	20001251	1	BREATHER TUBE
44			
45			
46			

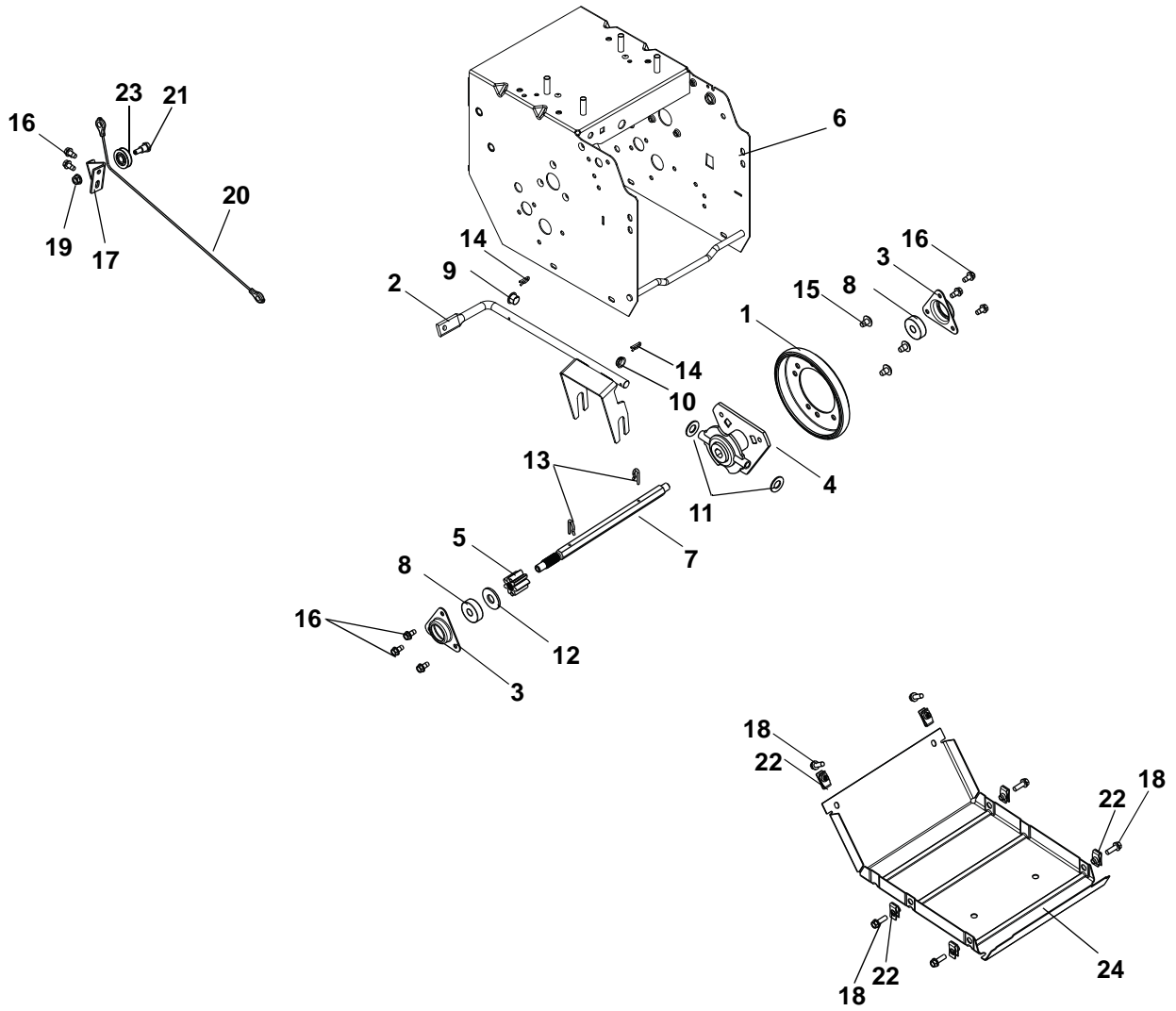
ENGINE – 08200922 ARIENS 208CC

Model 920318, 920321, 920325, 920326

Item	Part No.	Qty.	Description
47	20001071	1	HIGH OIL-FILL TUBE/DIPSTICK
48	20001013	1	WIRE HARNESS
49	20001255	1	OIL DRAIN PLUG (W/WASHER)
50	20001009	1	HEATER BOX GLOSS BLACK
51	20001062	1	SHIELD - CYLLNDER
52	20001023	1	PRIMER BULB WITH HOSE-SNOW
53	20001031	1	SAFETY KEY SWITCH (W/KEYS)
54	07500111	1	KEY, PUSH/PULL LCT (2/PACKAGE)
55	20001177	1	FRONT OIL DRN PIPE & NUT ASSY
56	20001176	1	CARBURETOR VAPOR SHIELD
57	20001017	1	CE COMPLIANT MUFFLER SHIELD
58	20001051	1	SHIELD - GOVERNOR LINKAGE
59	20001010	1	FUEL TANK SKIRT GLOSS BLACK
60	20001039	1	CHARGING COIL (60-WATT AC)
61	20001148	1	FUEL CONTROL KNOB (RED)
62	20001064	1	STARTER GRIP-SNOW (DELUXE)
63			
64			
65	20001220	1	TAPPET KIT (SET OF 2)
66			
67			
68			
69	20001024	1	CARBURETOR STUDS & COUPLNG KIT
70	20001184	1	CARBURETOR REPAIR KIT
71			
72	20001182	1	ARIENS 208 (ALL) DECAL KIT
73			
74	20001019	1	MUFFLER HEAT SHIELD COVER
75			
76			
77	20001186	1	RECOIL BOLT KIT
78			
79	20001081	1	CARBURETOR COVER
80	20001052	1	TOP SHIELD
81	20001333	1	WOODRUFF FLYWHEEL KEY 5-PACK
82	20001330	1	CARBURETOR SPACER

FRICION DRIVE

Model 920013, 014, 021, 316, 317, 321, 325, 326



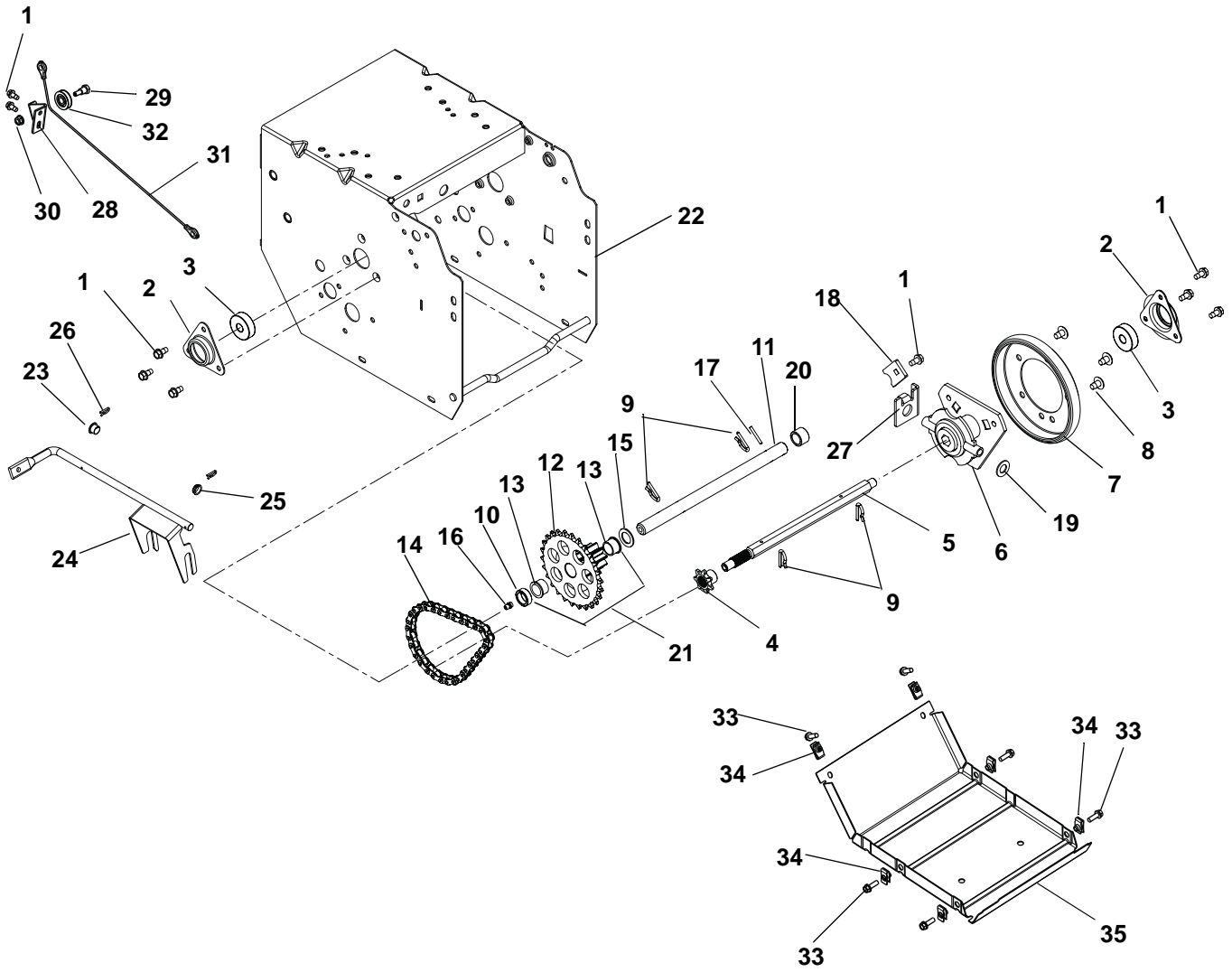
FRICION DRIVE

Model 920013, 014, 021, 316, 317, 321, 325, 326

Item	Part No.	Qty.	Description
1	00170800	1	Friction Disc
2	00656951	1	Fork, Shift
3	00383000	2	Flange, Bearing
4	00383100	1	Carrier, Friction Disc
5	00493900	1	Gear
6	52006200	1	Frame w/Engine Straps
7	04149500	1	Shaft, Hex
8	05435200	2	Bearing
9	05500026	1	Bushing, Polyliner
10	05500028	1	Bushing, Polyliner
11	06439200	2	Washer, Flat Steel .505 x 1.00 x .062
12	06442000	1	Washer, Flat Steel .563 x 1.38 x .109
13	06714500	2	Pin, Spring Clip
14	06944800	2	Clip, Spring
15	07400009	3	Screw, Tapping Serrated Round Head Torx .31-18 x .50
16	07400034	8	Screw, Tapping Hex Washer Head Thread Rolling .25-20 x .50
17	00373051	1	Bracket, Cable Pulley
18	05900019	6	Bolt, Hex Washer Head .25-20 x .75
19	06500710	1	Nut, Locking Center Flange .25-20
20	06900504	1	Cable
21	07000021	1	Bolt, Shoulder
22	07009000	6	Nut, Retainer .25-20 x .56
23	07300012	1	Pulley, Cable
24	00492359	1	Bottom Cover

FRICION DRIVE – TRACK

Model 920022, 318



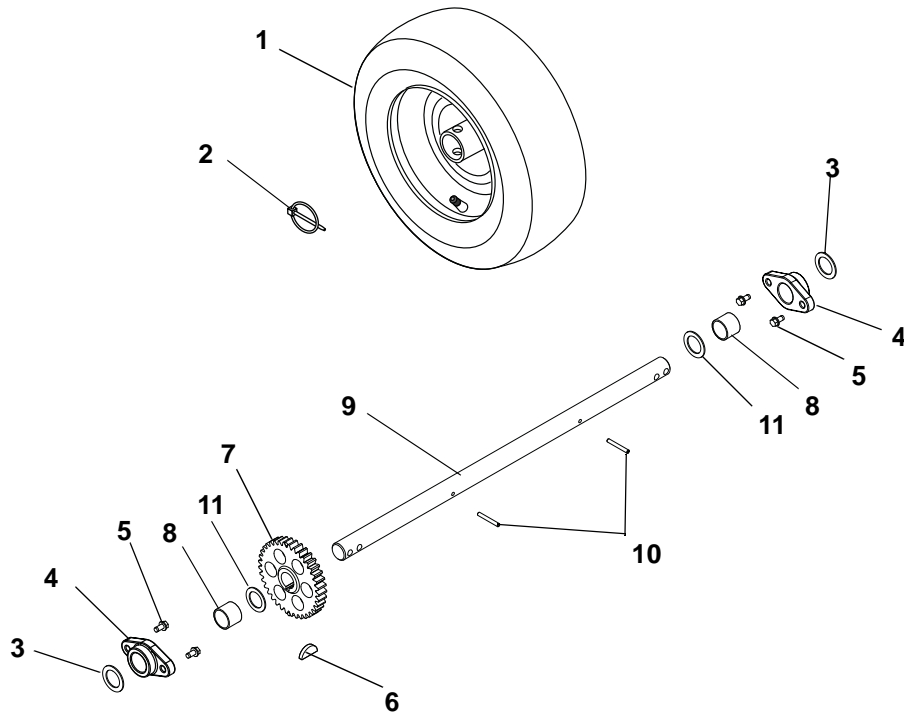
FRICION DRIVE – TRACK

Model 920022, 318

tem	Part No.	Qty.	Description
1	07400034	9	Screw, Tapping Hex Washer Head Thread Rolling .25-20 x .50
2	00383000	2	Flange, Bearing
3	05435200	2	Bearing
4	04092600	1	Sprocket, Pinion
5	04512800	1	Shaft, Hex
6	00383100	1	Carrier, Friction Disc
7	00170800	1	Friction Disc
8	07400009	3	Screw, Tapping Serrated Round Head Torx .31-18 x .50
9	06714500	4	Pin, Spring Clip
10	05500035	1	Bushing, Sleeve
11	04512900	1	Shaft, Pinion
12	00190600	1	Sprocket/Gear (Included in Item 21)
13	05500111	2	Bushing, Flange (Included in Item 21)
14	02466200	1	Chain, Roller
15	06436100	1	Washer, Flat Steel .630 x 1.005 x .062
16	07061300	1	Zerk, Fitting .25 x .125 Drive In
17	05800205	1	Pin, Groove Type E .125 x 1.00
18	00503500	1	Tab, Anti-Rotation
19	06439200	1	Washer, Flat Steel .505 x 1.00 x .062
20	05500029	1	Bushing, Sleeve
21	52601500	1	Sprocket/Gear with Bushings (Includes Items 12 and 13)
22	04456159	1	Frame
23	05500026	1	Bushing, Polyliner
24	04655300	1	Fork, Shift
25	05500028	1	Bushing, Polyliner
26	06944800	2	Clip, Spring
27	04671900	1	Bracket, Formed
28	00373051	1	Bracket, Cable Pulley
29	07000021	1	Bolt, Shoulder
30	06500710	1	Nut, Locking Center Flange .25-20
31	06900504	1	Cable
32	07300012	1	Pulley, Cable
33	05900019	6	Bolt, Hex Washer Head .25-20 x .75
34	07009000	6	Nut, Retainer .25-20 x .56
35	00492359	1	Bottom Cover

WHEELS AND AXLES

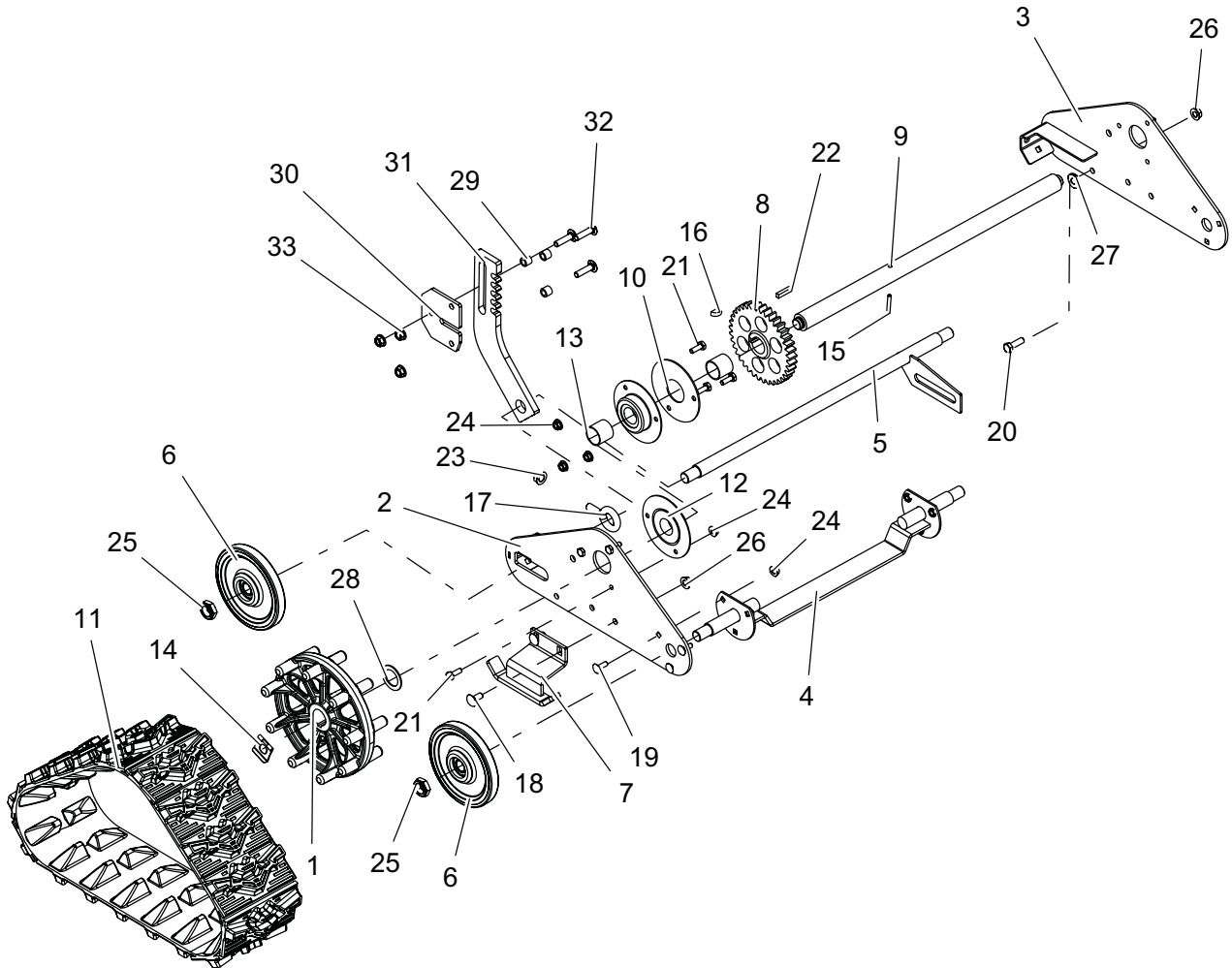
Model 920013, 014, 021, 316, 317, 321, 325, 326



Item	Part No.	Qty.	Description
1	07100811	2	Tire/Wheel Assembly, 13 x 4.10-6 K398A (920013, 014)
	07101015	1	Tire/Wheel Assembly Right Hand 15 x 5.00-6 K478 (920021, 316, 321)
	07101016	1	Tire/Wheel Assembly Left Hand 15 x 5.00-6 K478 (920021, 316, 321)
	07100223	1	Tire/Wheel Assembly Right Hand 13 x 4.10-6 K478 (920317, 325, 326)
	07100224	1	Tire/Wheel Assembly Left Hand 13 x 4.10-6 K478 (920317, 325, 326)
	07100725	AR	Tire, 13 x 4.10-6 K478 (920317, 325, 326)
	07100814	AR	Tire, 13 x 4.10-6 K398A (920013, 014)
	07100726	AR	Tire, 15 x 5.00-6 K478 (920021, 316, 321)
2	07053700	2	Pin-Lok
3	06441400	2	Washer, Flat Steel .754 x 1.125 x .062 (920013, 014, 317, 325, 326)
	05500917	2	Bushing, Sleeve (920021, 316, 321)
4	05500101	2	Bushing, Axle
5	07400034	4	Screw, Tapping Hex Washer Head Thread Rolling .25-20 x .50
6	06601200	1	Key, Woodruff .25 x .750 x .313 SAE 91
7	00657800	1	Gear
8	05500140	2	Bushing, Sleeve
9	00494200	1	Shaft, Axle (920013, 014, 317, 325, 326)
	03881800	1	Shaft, Axle (920021, 316, 321)
10	05800300	2	Pin, Roll .188 x 1.25
11	06441400	2	Washer, Flat Steel .754 x 1.125 x .062

TRACK

Model 920022, 318



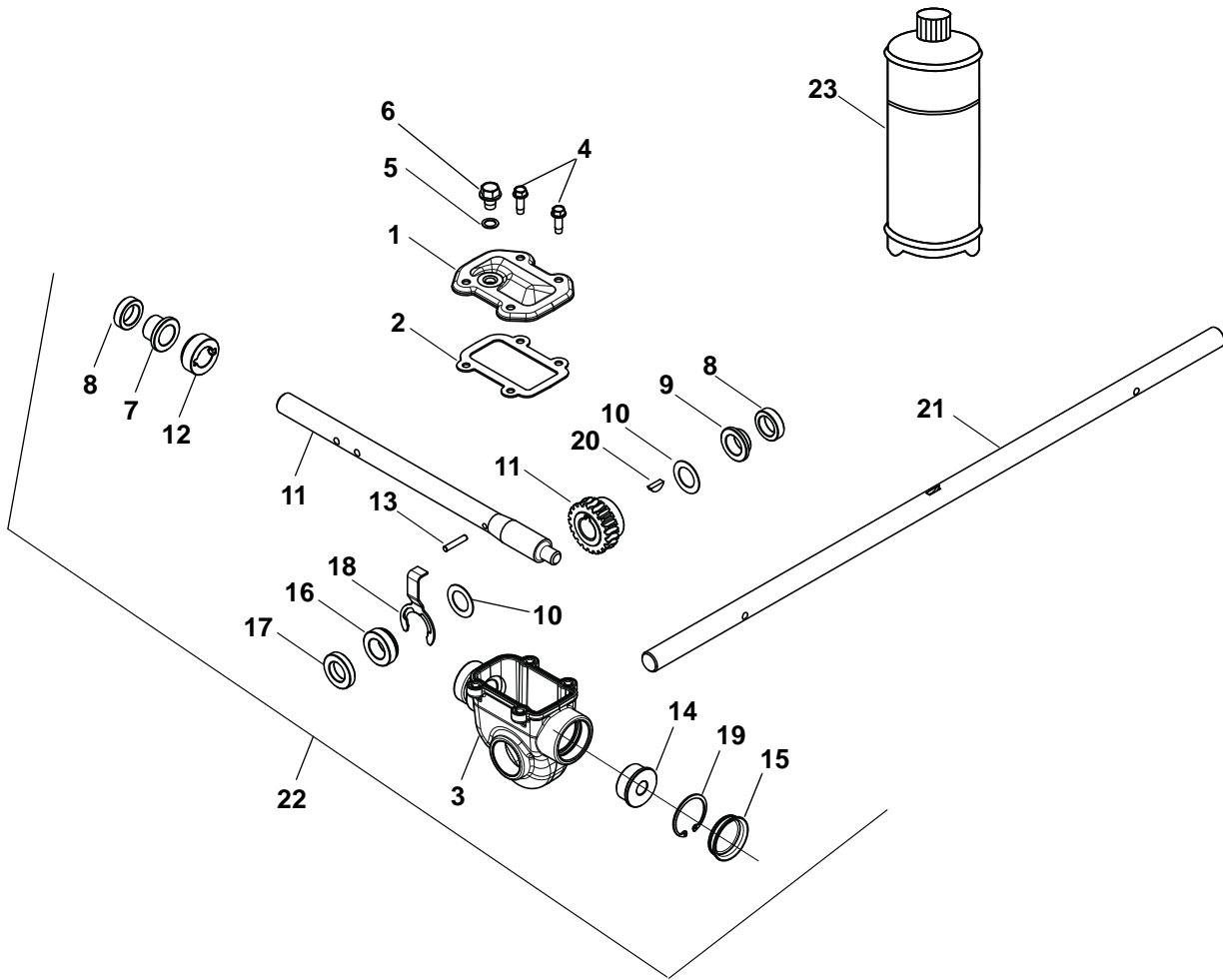
BOM ID	Number	Qty	Description
1	04520000	2	WHEEL, DRIVE TRACK
2	04548651	1	SIDE, PLATE RH
3	04548751	1	SIDE, PLATE LH
4	04549500	1	AXLE, FRT
5	03293700	1	AXLE, REAR
6	03293600	4	WHEEL, BOGIE
7	04549651	2	RUNNER, GUIDE
8	00371000	1	GEAR, SPUR
9	03291500	1	AXLE
10	03389051	2	PLATE, BEARING SPACER
11	04548500	2	TRACK
12	05400706	4	BRG, FLG
13	05500122	3	BSHG, SLV
14	05700001	2	CLIP, SNAP
15	05800300	1	PIN-ROLL .188X1.25
16	06601200	1	KEY, WDRF .25X.750X.313 SAE91
17	07000040	2	BLT, EYE .375-16X.880 YWZC

BOM ID	Number	Qty	Description
18	06215700	4	BLT-RDHDSQNK .31-18X.75 G5 YWZC
19	06219900	6	BLT-RDHDSQNK .25-20X.75 G5 YWZC
20	05946900	1	BLT-HEX .31-18X1.00 GR5 YWZC
21	05946800	12	BLT-HEX .25-20X.75 GR5 YWZC
22	06600002	2	KEY-RECT .25X.188X1.00
23	06534800	2	NUT, LK-CTR-FLG .38-16 YWZC
24	06500710	18	NUT, LK-CTR-FLG .25-20 YWZC
25	06530300	4	@NUT-LK-NYL .625-18 YWZC
26	06543100	5	NUT, LK-TOP-FLG .312-18 YWZC
27	05501127	1	BSHG, FLG
28	06436300	2	WSHR-FL-STL 1.010X1.505X.062 YWZC
29	01103100	3	SPCR
30	03294151	1	PLATE, HEIGHT ADJUSTER
31	04548851	1	STOP, HEIGHT ADJUSTER
32	06200008	3	BLT-RDHDSQSHNK .31-18X1.25 G5YWZC
33	06543100	3	NUT, LK-TOP-FLG .312-18 YWZC

NOTES

GEAR CASE AND IMPELLER

Model 920013, 014, 021, 022, 316, 317, 318, 321, 325, 326

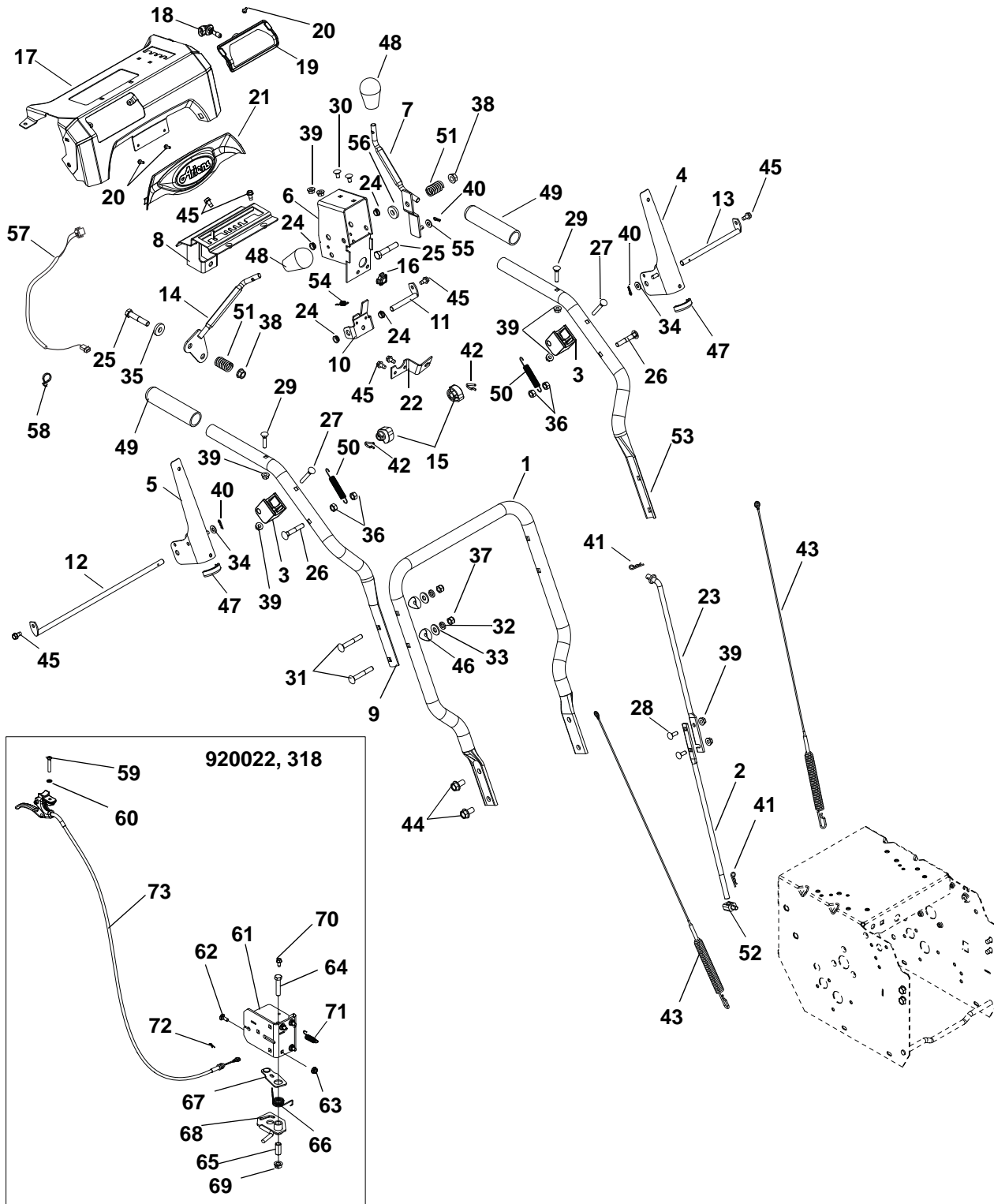


GEAR CASE AND IMPELLER

Model 920013, 014, 021, 022, 316, 317, 318, 321, 325, 326			
Item	Part No.	Qty.	Description
1	04280251	1	Cover, Top
2	04282400	1	Gasket
3	04276800	1	Gearcase
4	05901510	4	Bolt, SEMS .25-20 x .50
5	06400920	1	Washer, Seal
6	07400110	1	Screw, Tapping Hex Washer Head Rolok .38-16 x .50
7	05501020	1	Bushing, Flange
8	05600509	2	Seal, Oil
9	05501106	1	Bushing, Flange
10	06400912	2	Washer, Flat Steel .760 x 1.225 x .032
11	52003400	1	Worm Shaft and Worm Gear Set
12	04277000	1	Thrust Collar
13	05800207	1	Pin, Straight .188 x 1.00 6150
14	05501108	1	Bushing, Flange
15	04302800	1	Cover, Front
16	05501107	1	Bushing, Flange
17	05600508	1	Seal, Oil
18	04323600	1	Bushing Retainer
19	05700212	1	Ring, Retaining, Internal 1.500 x .050
20	06609300	1	Key, Woodruff .19 x .63 Hardened #61
21	00260500	1	Shaft, Rake, 20" (920325)
	03885800	1	Shaft, Rake, 22" (920013, 317, 326)
	00263000	1	Shaft, Rake, 24" (920014, 021, 022, 316, 318, 321)
22	52006900	1	Gear Case Assembly 20" (Includes Items 1 – 21) (920325)
	52004200	1	Gear Case Assembly 22" (Includes Items 1 – 21) (920013, 317, 326)
	52004400	1	Gear Case Assembly 24" (Includes Items 1 – 21) (920014, 021, 022, 316, 318, 321)
23	00068800	1	Gear Lube, 8 oz Bottle

HANDLEBARS AND CONTROLS

Model 920013, 014, 021, 022, 316, 317, 318, 321, 325, 326



HANDLEBARS AND CONTROLS

Model 920013, 014, 021, 022, 316, 317, 318, 321, 325, 326			
Item	Part No.	Qty.	Description
1	00597451	1	Handlebar, Lower
2	04425767	1	Rod, Shift, Lower
3	04310100	2	Clutch Paddle Block
4	04310451	1	Clutch Handle, Left Hand
5	04310551	1	Clutch Handle, Right Hand
6	04316651	1	Bracket Interlock
7	04317300	1	Lever, Deflector (920014, 021, 022, 316, 318, 321)
8	04317751	1	Detent Plate
9	04318351	1	Handlebar, Upper, Right Hand
10	04320400	1	Interlock Arm
11	04320500	1	Rod, Pivot
12	04321500	1	Rod, Paddle Mount, Long
13	04321600	1	Rod, Paddle Mount, Short
14	04321700	1	Lever, Shift
15	04322100	2	Cam, Interlock
16	04322700	1	Crank Bushing
17	52004100	1	Control Panel with Decal (9200013, 317, 325, 326)
	52004300	1	Control Panel with Decal (920014, 021, 316, 321)
	52006800	1	Control Panel with Decal (920022, 318)
18	00432600	1	Bulb, Light (Included in Item 19)
19	04307600	1	Light Assembly (Includes Item 18)
20	07400107	4	Screw, Tapping, Hex Head Boss #10 x .50
21	04305000	1	Dash Bezel
22	04333151	1	Anchor, Deflector Cable (920014, 021, 022, 316, 318, 321)
23	04334967	1	Rod, Shift, Upper
24	05500020	4	Bushing, Polyliner
25	05963300	1	Bolt, Hex .38-16 x 2.00 (920013, 317, 325, 326)
	05963300	2	Bolt, Hex .38-16 x 2.00 (920014, 021, 022, 316, 318, 321)
26	06200207	2	Bolt, Round Head Extra Long Square Neck .31-18 x 2.00
27	06209300	2	Bolt, Round Head Extra Long Square Neck .25-20 x 2.00
28	06219900	2	Bolt, Round Head Square Neck .25-20 x .75
29	06220100	2	Bolt, Round Head Extra Long Square Neck .25-20 x 1.25 (920013, 014, 021, 316, 317, 321, 325, 326)
	06220100	1	Bolt, Round Head Extra Long Square Neck .25-20 x 1.25 (920022, 318)
30	06220600	2	Bolt, Round Head Square Neck .25-20 x .50
31	06221600	4	Bolt, Round Head Square Neck .31-18 x 2.25
32	06307400	4	Washer, Lock .312 x .097
33	06435700	4	Washer, Flat Steel .38 x .875 x .083
34	06437300	2	Washer, Flat Steel .281 x .62 x .065
35	06444000	1	Washer, Flat Steel .406 x 1.00 x .188
36	06529800	4	Nut, Locking Center .31-18
37	06530200	4	Nut, Locking Nylon .31-18
38	06542000	1	Nut, Locking Top Flange .38-16 (920013, 317, 325, 326)
	06542000	2	Nut, Locking Top Flange .38-16 (920014, 021, 022, 316, 318, 321)
39	06500710	8	Nut, Locking Center Flange .25-20 (920013, 014, 021, 316, 317, 321, 325, 326)
	06500710	7	Nut, Locking Center Flange .25-20 (920022, 318)

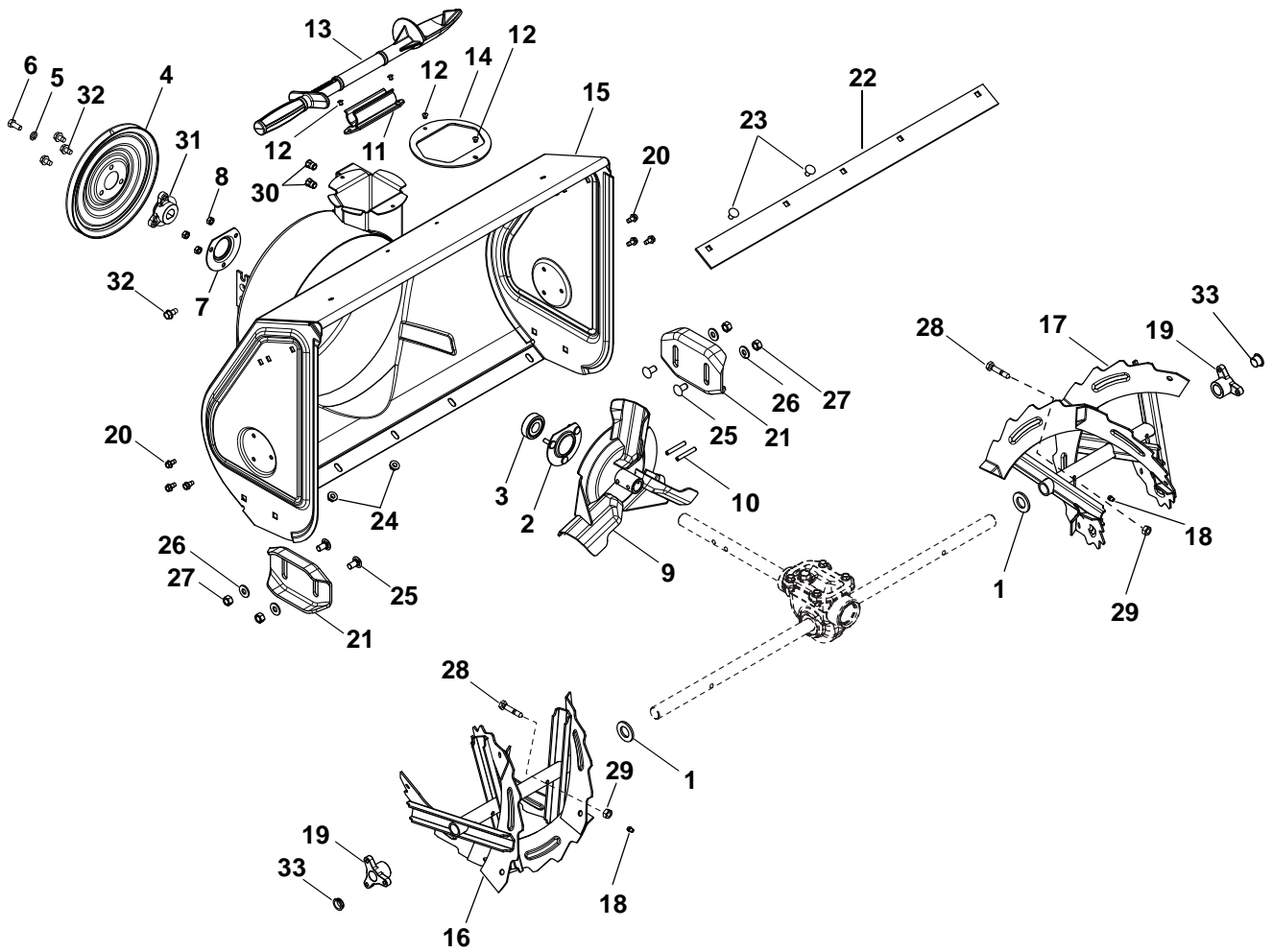
HANDLEBARS AND CONTROLS

Model 920013, 014, 021, 022, 316, 317, 318, 321, 325, 326			
Item	Part No.	Qty.	Description
40	06701900	2	Pin, Hair, Internal .06 x .18 x .77 (920013, 317, 325, 326)
	06701900	3	Pin, Hair, Internal .06 x .18 x .77 (920014, 021, 022, 316, 318, 321)
41	06713500	2	Pin, Hair, Internal .08 x .18 x 1.18
42	06714500	2	Pin, Spring Clip
43	06900438	2	Cable, Control
44	07028500	4	Bolt, Serrated Hex Flange Washer Head .38-16 x .75
45	07400034	7	Screw, Tapping Hex Washer Head Thread Rolling .25-20 x .50 (920013, 317, 325, 326)
	07400034	9	Screw, Tapping Hex Washer Head Thread Rolling .25-20 x .50 (920014, 021, 022, 316, 318, 321)
46	07500005	4	Spacer, Handlebar
47	07500103	2	Edging, Clutch Handle
48	07500209	1	Knob (920013, 317, 325, 326)
	07500209	2	Knob (920014, 021, 022, 316, 318, 321)
49	07500239	2	Handle Grip
50	08300527	2	Spring
51	08335700	1	Spring (920013, 317, 325, 326)
	08335700	2	Spring (920014, 021, 022, 316, 318, 321)
52	00386700	1	Pivot, Shift Rod
53	04318451	1	Handlebar, Upper, Left Hand
54	08337000	1	Spring
55	05501012	1	Bushing, Sleeve (920014, 021, 022, 316, 318, 321)
56	06439300	1	Washer, Flat Steel .380 x 1.50 x .062 (920014, 021, 022, 316, 318, 321)
57	04337300	1	Wire Harness, Light
58	07517300	2	Cable Tie
59	06100007	1	Screw, Oval Head .25-20X1.50 (920022, 318)
60	06305200	1	Washer-Locking-Internal .250 TH (920022, 318)
61	03293951	1	Bracket, Height Adjuster (920022, 318)
62	06219900	4	Bolt-Round Head Square Neck .25-20X.75 Grade 5 (920022, 318)
63	06500710	4	Nut-Locking-Center-Flange .25-20 (920022, 318)
64	05958500	1	Bolt-Hex .38-16X1.75 Grade 5 (920022, 318)
65	05500106	1	Bushing-Sleeve (920022, 318)
66	08300015	1	Spring-Torsion (920022, 318)
67	03376200	1	Arm, Overtravel (920022, 318)
68	03294000	1	Lock, Height Adjuster (920022, 318)
69	06534800	1	Nut-Locking-Center-Flange .38-16 (920022, 318)
70	07400034	1	Screw-Tapping Hex Washer Head Thread Rolling .25-20X.50 (920022, 318)
71	08300103	1	Spring (920022, 318)
72	06701900	1	Pin-Hair-Internal .06X.18X.77 (920022, 318)
73	06900510	1	Cable, Track Remote (920022, 318)

NOTES

AUGER AND CHUTE

Model 920013, 014, 021, 022, 316, 317, 318, 321, 325, 326



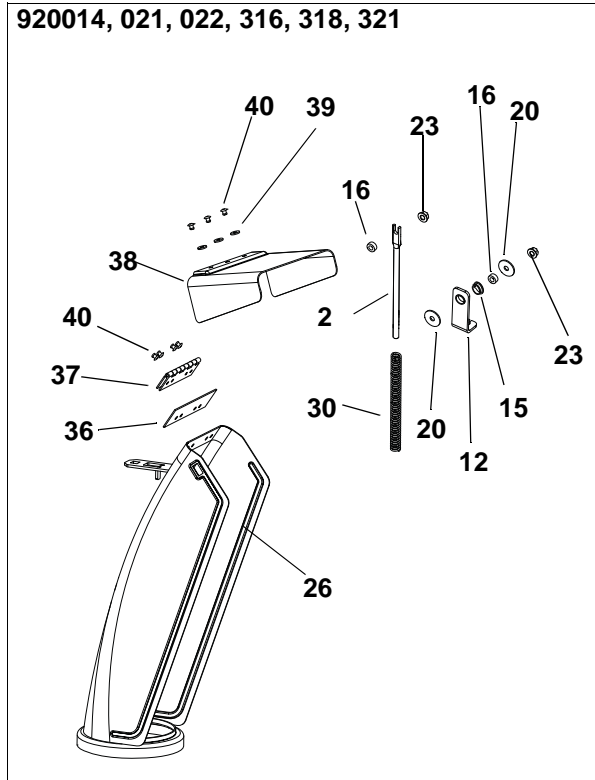
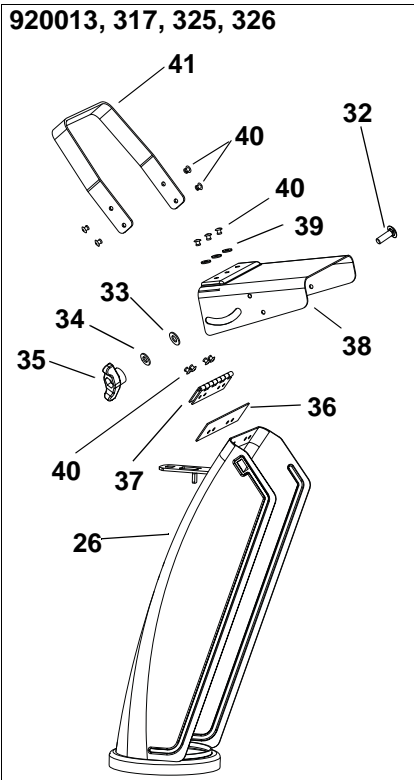
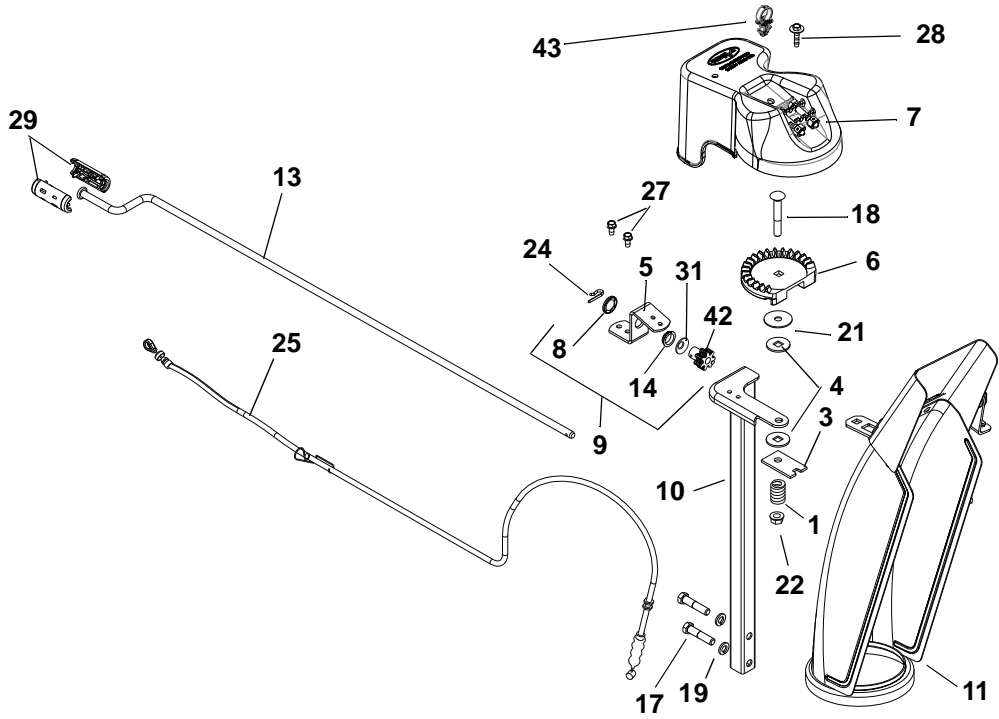
AUGER AND CHUTE

Model 920013, 014, 021, 022, 316, 317, 318, 321, 325, 326

Item	Part No.	Qty.	Description
1	06439000	2	Washer, Flat Steel .812 x 1.50 x .135 (920014, 021, 022, 316, 318, 321, 325)
	05500917	2	Bushing, Sleeve (920013, 317, 326)
2	00428700	1	Bearing Flange
3	05406300	1	Bearing
4	00268900	1	Pulley, Attachment
5	06307400	1	Washer, Lock .312 x .097
6	05947300	1	Bolt, Hex .31-24 x .75
7	01014200	1	Bearing Flange
8	06529700	3	Nut, Locking Center .25-20
9	03835551	1	Impeller
10	05803700	2	Pin, Roll .250 x 1.75
11	00170300	1	Mount, Snow Clean Out
12	06800028	4	Rivet, Pop - .187
13	00170200	1	Device, Snow Clean Out
14	03889400	1	Baffle
15	52002000	1	Housing, 20" with Decal (920325)
	52002500	1	Housing, 22" with Decal (920013, 317, 326)
	52002600	1	Housing, 24" with Decal (920014, 021, 022, 316, 318, 321)
16	53212300	1	Rake, Right Hand, 20" with Zerk (Includes Item 18) (920013, 317, 325, 326)
	53213100	1	Rake, Right Hand, 24" with Zerk (Includes Item 18) (920014, 021, 022, 316, 318, 321)
17	53212400	1	Rake, Left Hand, 20" with Zerk (Includes Item 18) (920013, 317, 325, 326)
	53213200	1	Rake, Left Hand, 24" with Zerk (Includes Item 18) (920014, 021, 022, 316, 318, 321)
18	07061300	2	Zerk, Fitting .25 x .125 Drive In
19	05500103	2	Bushing, Rake Shaft
20	07400034	6	Screw, Tapping Hex Washer Head Thread Rolling .25-20 x .50
21	02483859	2	Skid Shoe
22	00396659	1	Blade, Scraper, 20" (920325)
	03884359	1	Blade, Scraper, 22" (920013, 317, 326)
	03884459	1	Blade, Scraper, 24" (920014, 021, 022, 316, 318, 321)
23	06200209	5	Bolt, Scraper Blade
24	06543100	5	Nut, Locking Top Flange .31-18
25	06200004	4	Bolt, Round Head Square Short Neck .38-16 x .75
26	06435700	4	Washer, Flat Steel .38 x .875 x .083
27	06529600	4	Nut, Locking Center .38-16
28	53200500	2	Shear Bolt with Nut (Includes item 29)
29	06529700	2	Nut, Locking Center .25-20 (Included in Item 28)
30	07001612	2	Nut, Threaded Insert .38-16 (Included in Item 15)
31	00268901	1	Pulley Hub
32	07411500	7	Screw, Tapping Hex Washer Head Thread Rolling .31-18 x .50
33	05500109	2	Bushing, Polyliner

DISCHARGE CHUTE CRANK

Model 920013, 014, 021, 022, 316, 317, 318, 321, 325, 326



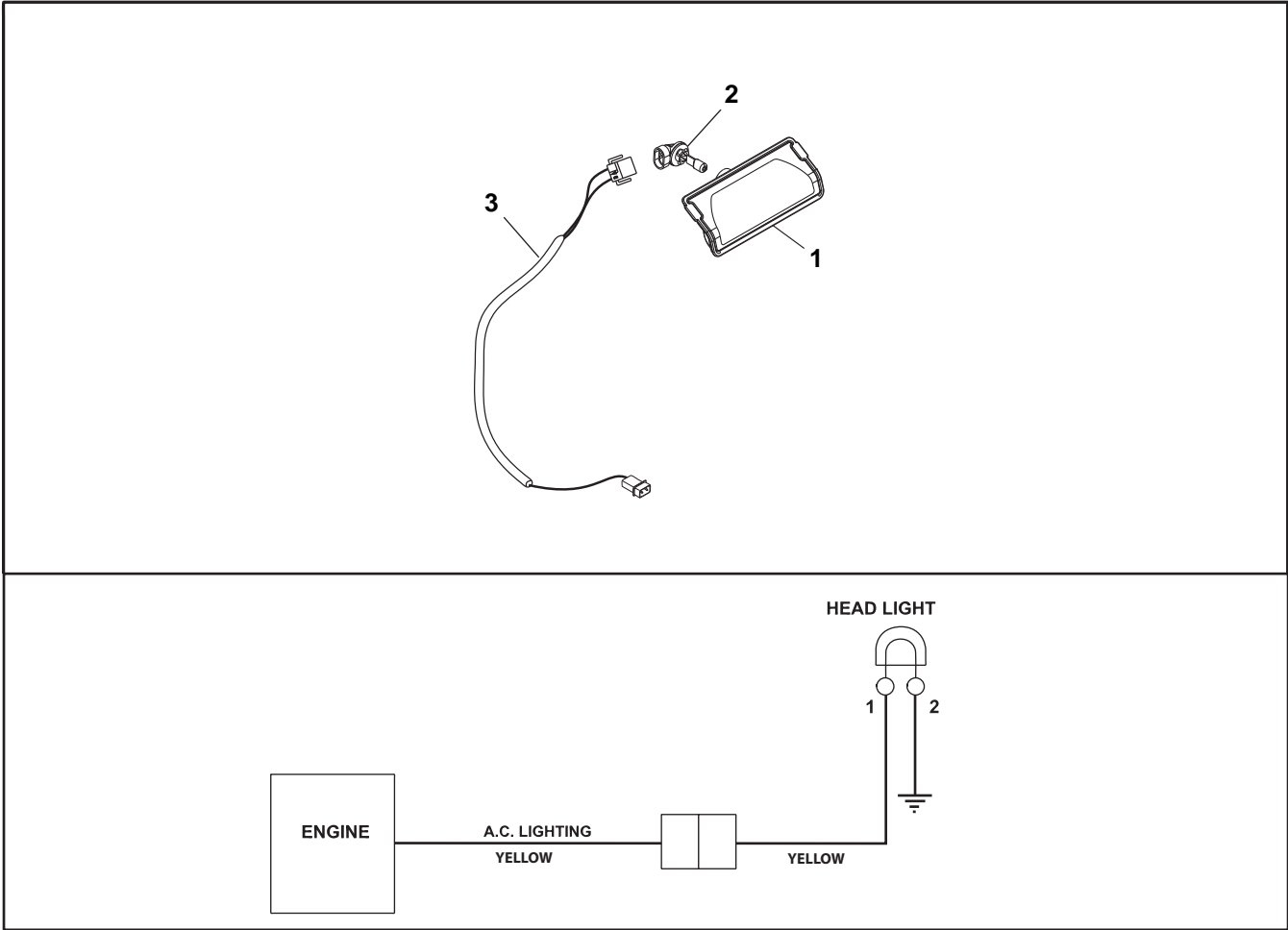
DISCHARGE CHUTE CRANK

Model 920013, 014, 021, 022, 316, 317, 318, 321, 325, 326

Item	Part No.	Qty.	Description
1	08320900	1	Spring
2	00389000	1	Rod, Deflector Cap (920014, 021, 022, 316, 318, 321)
3	00398000	1	Plate, Friction
4	01123800	2	Friction Washer
5	01972451	1	Bracket, Pinion Gear
6	03222900	1	Chute Gear
7	04456700	1	Gear Cover Assembly SM Shear Bolt
8	03224300	1	Pushnut
9	52000100	1	Pinion Gear with Bracket (Includes Items 5, 8, 14, 31 and 42)
10	03883751	1	Pedestal, Chute
11	52001500	1	Chute, Discharge with Cap and Decal (includes items 26, 36 - 41) (920013, 317, 325, 326)
	52002900	1	Chute, Discharge with Cap and Decal (includes items 26, 36 - 40) (920014, 021, 022, 316, 318, 321)
12	04115359	1	Bracket, Cable Anchor (920014, 021, 022, 316, 318, 321)
13	04338000	1	Rod, Chute Crank
14	05500021	1	Bushing, Polyliner
15	05500028	1	Bushing, Polyliner (920014, 021, 022, 316, 318, 321)
16	05501012	2	Bushing, Sleeve (920014, 021, 022, 316, 318, 321)
17	05958500	2	Bolt, Hex .38-16 x 1.75
18	06224400	1	Bolt, Round Head Square Neck .38-16 x 2.50
19	06308800	2	Washer, Lock .38 x .094
20	06426600	2	Washer, Flat Steel .281 x 1.000 x .063 (920014, 021, 022, 316, 318, 321)
21	06400917	1	Washer, Flat Steel .406 x 1.25 x .10
22	06542000	1	Nut, Locking Top Flange .38-16
23	06500710	2	Nut, Locking Center Flange .25-20 (920014, 021, 022, 316, 318, 321)
24	06714500	1	Pin, Spring Clip
25	06900508	1	Cable, Deflector (920014, 021, 022, 316, 318, 321)
26	03881559	1	Chute, Compact, Manual (920013, 317, 325, 326)
	04092759	1	Chute, Compact, Remote (920014, 021, 022, 316, 318, 321)
27	07400034	2	Screw, Tapping Hex Washer Head Thread Rolling .25-20 x .50
28	07400104	1	Screw, Tapping Large Hex Washer Head Thread Rolling .25-20 x .50
29	07500203	2	Knob, Chute Crank
30	08300013	1	Spring (920014, 021, 022, 316, 318, 321)
31	06400009	1	Washer, Thrust .625 x 1.0 x .03
32	06200007	1	Bolt, Round Head Square Short Neck .31-18 x 1.00 (920013, 317, 325, 326)
33	06433600	1	Washer, Flat Nylon .375 x .75 x 060 (920013, 317, 325, 326)
34	06437200	1	Washer, Flat Steel .344 x .688 x .065 (920013, 317, 325, 326)
35	07500105	1	Knob, Wing .31-18 (920013, 317, 325, 326)
36	00628500	1	Cap Seal
37	00170100	1	Hinge
38	00174359	1	Cap, Deflector, Manual (920013, 317, 325, 326)
	04092859	1	Cap, Deflector, Remote (920014, 021, 022, 316, 318, 321)
39	06400003	3	Washer, Flat Steel .196 x .500 x .06
40	06800028	11	Rivet, Pop .187 (920013, 317, 325, 326)
	06800028	7	Rivet, Pop .187 (920014, 021, 022, 316, 318, 321)
41	03212159	1	Handle, Deflector (920013, 317, 325, 326)
42	03735300	1	Pinion Gear, Chute
43	04451600	1	Clip, Cable Guide (920014, 021, 022, 316, 318, 321)

ELECTRICAL AND WIRING DIAGRAM

Model 920013, 014, 021, 022, 316, 317, 318, 321, 325, 326



Item	Part No.	Qty.	Description
1	04307600	1	Headlight Assembly (Includes Item 2)
2	00432600	1	Bulb, Light (Included in Item 1)
3	04337300	1	Wire Harness, Light



THE KING OF SNOW®

Ariens Company
655 West Ryan Street
Brillion, WI 54110
920-756-4688
Fax 920-756-2407
www.ariens.com

An *Ariens* Company Brand