

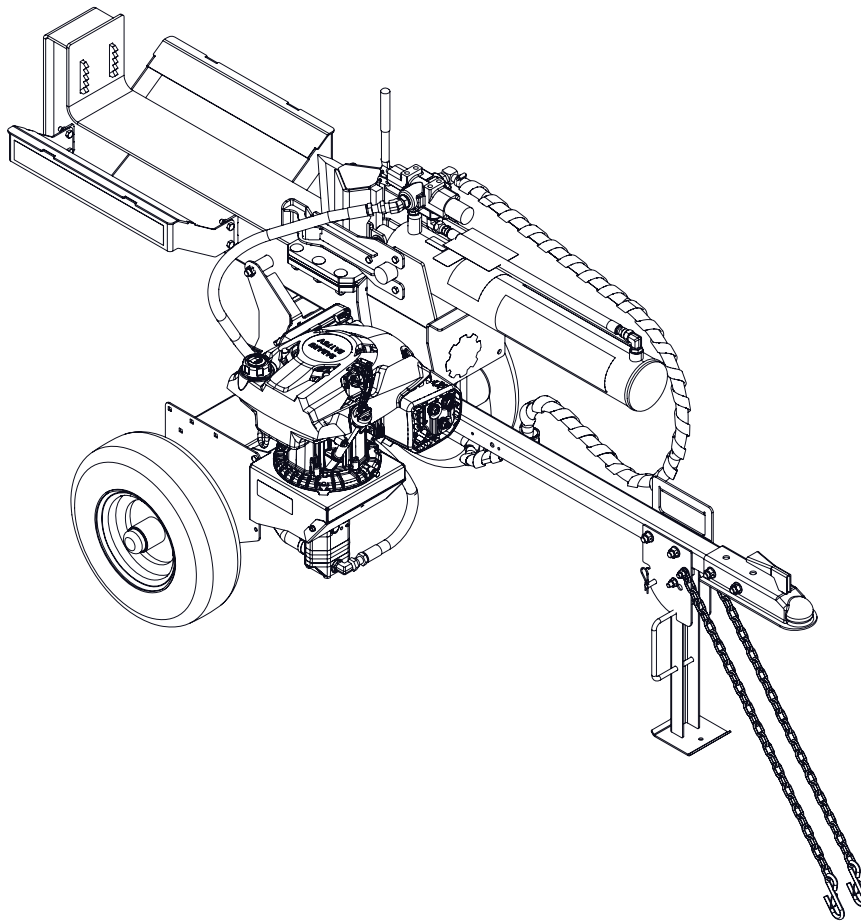


# Log Splitter

## Parts Manual

### Model

917011 – 22-Ton Log Splitter  
(SN 010000 +)



The use of any gasoline exceeding 10% ethanol (E10) or 10% MTBE will void the product warranty.  
L'utilisation d'une essence contenant plus de 10% d'éthanol (E10) ou de 10% de MTBE annulent la garantie.  
El uso de cualquier otro tipo de gasolina con un porcentaje superior al 10% de etanol (E10) o al 10% de MTBE invalidará la garantía del producto.

# THE MANUAL

---

Before you operate your unit, carefully and completely read manuals supplied with the unit. The contents will provide you with an understanding of safety instructions and controls during normal operation and maintenance.

For your safety and the safety of others always read, understand, and follow all DANGER, WARNING, and CAUTION messages found in manuals and on safety decals.

Hardware descriptions are given in decimals.

Decimals to Fractions			
.063	1/16	.563	9/16
.125	1/8	.625	5/8
.188	3/16	.688	11/16
.250	1/4	.750	3/4
.313	5/16	.813	13/16
.375	3/8	.875	7/8
.438	7/16	.938	15/16
.500	1/2	1.00	1

## SERVICE AND REPLACEMENT PARTS

---

When ordering replacement parts or making service inquiries, know the Model and Serial numbers of your unit and engine.

Numbers are located on the product registration card in the unit literature package. They are printed on a serial number label, located on the frame of your unit.

- Record Unit Model and Serial numbers here:

- Record Engine Model and Serial numbers here:

## UNAUTHORIZED REPLACEMENT PARTS

Use only Ariens replacement parts. The replacement of any part on this vehicle with anything other than an Ariens authorized replacement part may adversely affect the performance, durability, or safety of this unit and may void the warranty. Ariens disclaims liability for any claims or damages, whether warranty, property damage, personal injury or death arising out of the use of unauthorized replacement parts.

# PRODUCT REGISTRATION

---

The Ariens dealer must register the product at the time of purchase. Registering the product will help the company process warranty claims or contact you with the latest service information. All claims meeting requirements during the limited warranty period will be honored, whether or not the product registration card is returned. Keep a proof of purchase if you do not register your unit.

**Customer Note:** If Dealer does not register your product, please fill out, sign and return the product registration card to Ariens or go to [www.ariens.com](http://www.ariens.com).

## YOUR SATISFACTION IS IMPORTANT

---

Questions? Please follow these helpful steps:

1. Refer to the manuals supplied with your unit.  
They will guide you through safe and proper operation and maintenance.  
They contain specifications on your unit.  
If your questions are not answered in these manuals, go to step number two.

2. Contact Your Dealer.  
Our dealers will be happy to supply any service or advice required to keep your unit operating at peak efficiency.

A factory trained staff is available to support your equipment needs. They stock genuine Ariens parts and lubricants manufactured with the same precision and skill as the original.

If your questions are not resolved by the support staff, ask for the manager or owner.

When contacting your Dealer supply your model and serial numbers.

## TO SPEED PARTS ORDERING:

1. Know the model and serial numbers of your unit.
2. Know the part number required.
3. Know the quantity required.
4. Know the part description.

## MODELS

---

### **Model 917011 (Log Splitter, 22-Ton)**

Subaru Engine EA175

Serial No. 010000 +

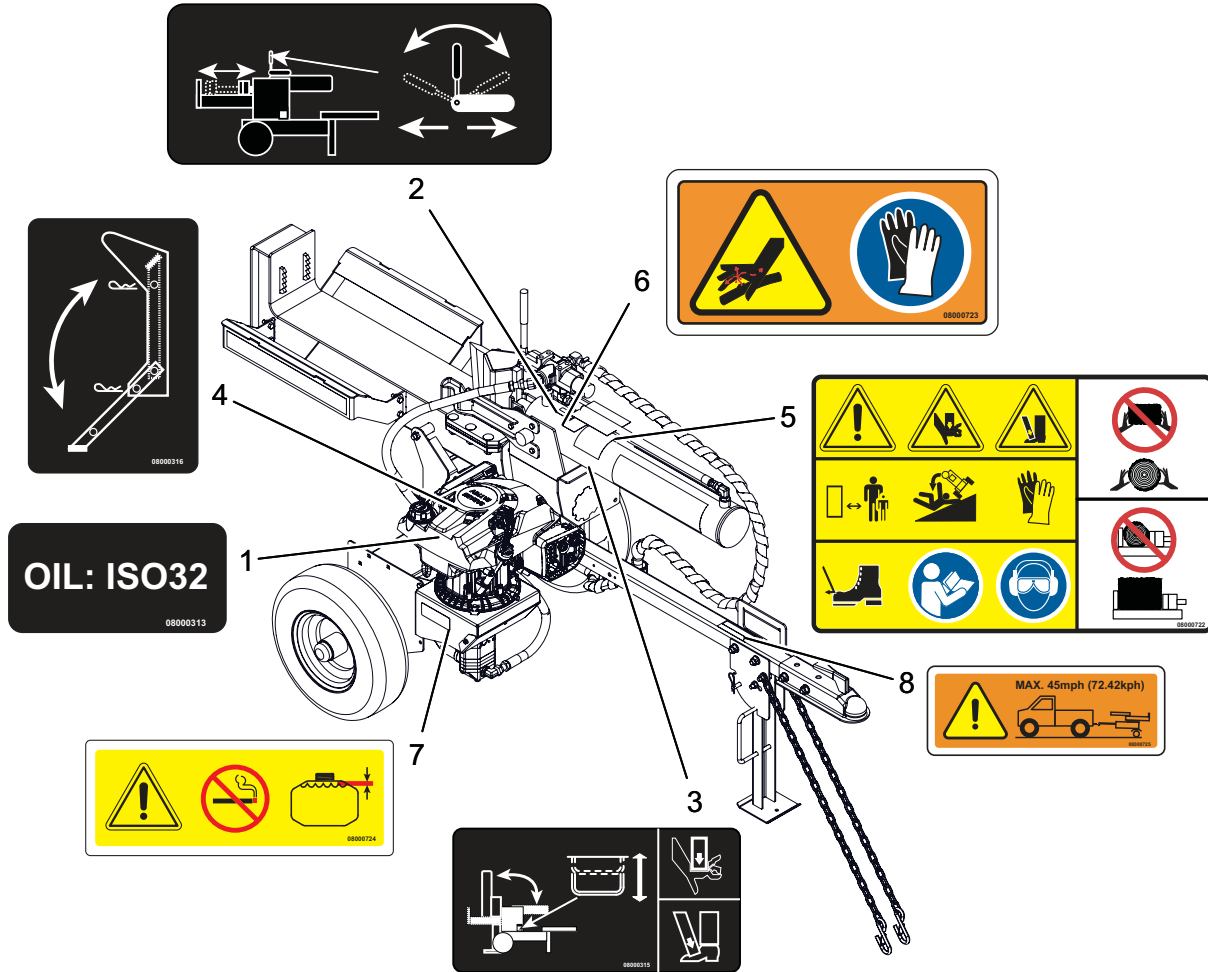
## TABLE OF CONTENTS

---

Decals — Safety and Operation.....	4
Decals — Style.....	5
Beam and Hydraulic Cylinder.....	6
Frame, Engine and Pump .....	7
Accessories.....	8

# DECALS — SAFETY AND OPERATION

Model 917011

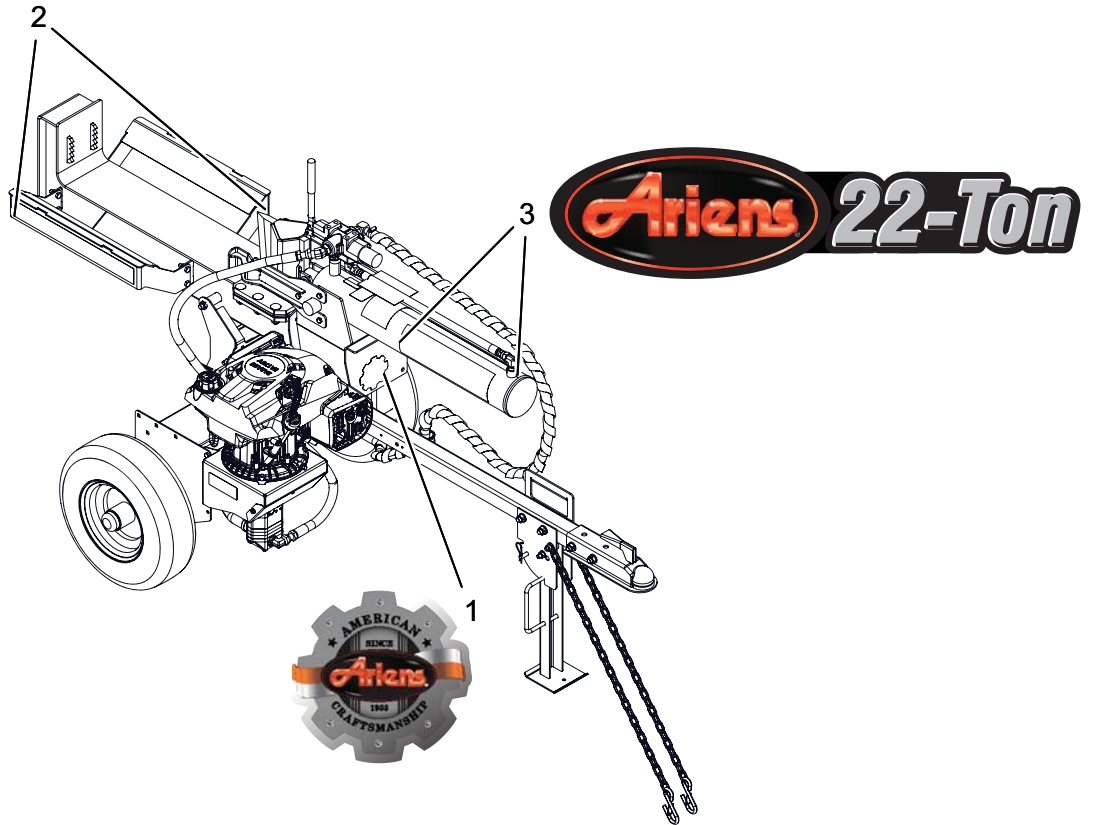


BOM ID	Number	Qty	Description
1	08000313	1	DECAL, LOG SPLITTER HYDRAULIC OIL
2	08000314	1	DECAL, LOG SPLITTER RAM OPERATION
3	08000315	1	DECAL, LOG SPLITTER TILT OPERATION
4	08000316	1	DECAL, LOG SPLITTER REAR STAND
5	08000722	1	DECAL, DANGER LOG SPLITTER
6	08000723	1	DECAL, HYD WARNING
7	08000724	1	DECAL, FUEL WARNING
8	08000725	1	DECAL, TOWING

# DECALS — STYLE

Model 917011

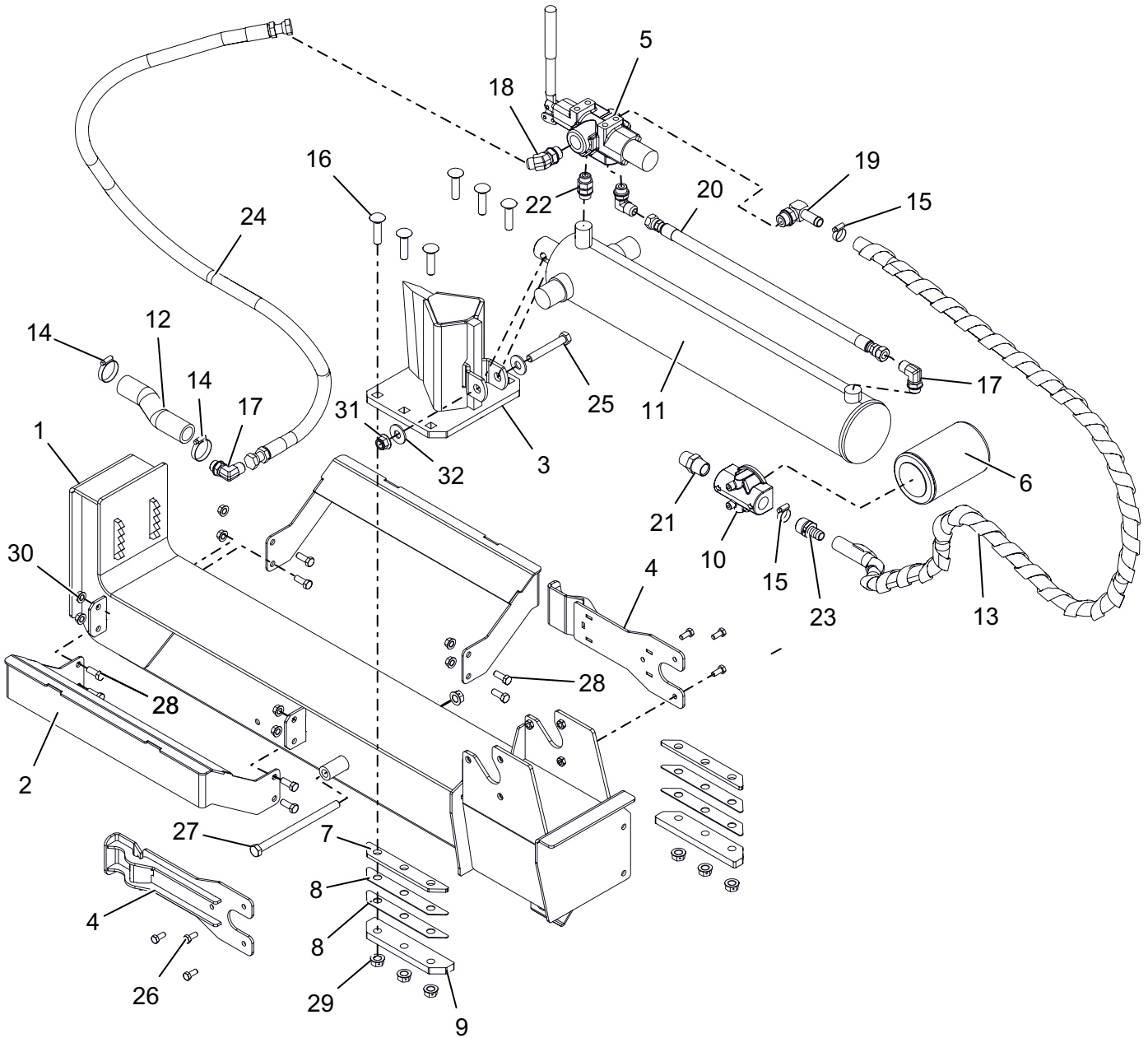
← 25" Splitting Capacity →



BOM ID	Number	Qty	Description
1	08000513	1	DECAL, ARIENS HERITAGE-LARGE
2	08000828	2	DECAL, 25" SPLIT CAP
3	08000829	2	DECAL, ARIENS 22-TON

# BEAM AND HYDRAULIC CYLINDER

Model 917011

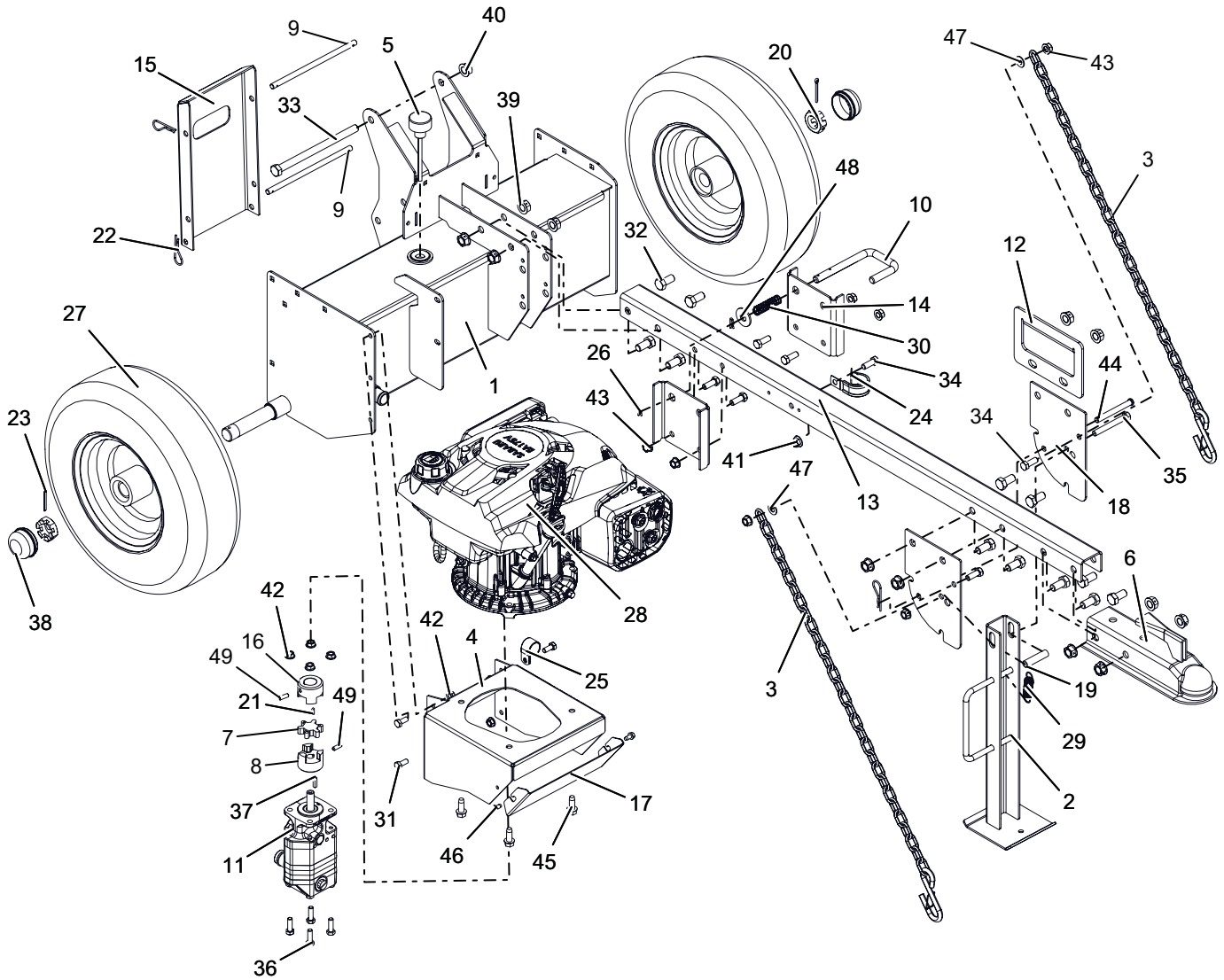


BOM ID	Number	Qty	Description
1	04752951	1	WLDMT, BEAM - 22 TON SPLITTER
2	04590851	2	WLDMT, CRADLE - LOG SPLITTER
3	04824851	1	WLDMT, WEDGE - SPLITTER (BLACK)
4	04861459	2	WLDMT, PLATE - STRIPPER (ORANGE)
5	03846300	1	VALVE, CONTROL -SPLITTER
6	03931900	1	FILTER, OIL - W/BYPASS
7	03967151	2	SPCR, WEDGE
8	04284651	4	SHIM, SPLITTER WEDGE
9	04353251	2	RETAINER, WEDGE-BLACK
10	04367300	1	HEAD, FILTER -3/4 NPT BYPASS
11	04569800	1	CYLINDER, SPLITTER - 4.0"
12	04594300	1	HOSE, HYD SUCTION, 6.75"
13	04594400	1	HOSE, HYD -RETURN 74"LG
14	06922200	2	CLAMP, HOSE 1.50 X .81 X 1.42
15	06923500	2	CLAMP, .88 DIA HOSE
16	06200208	6	BLT-RDHD SQNK .50-13X2.00YG8
17	07001535	3	FTG, HYD. 2501-8-8

BOM ID	Number	Qty	Description
18	07001537	1	FTG, HYD. 6802-8-10
19	07001538	1	FTG, HYD. 4601-10-10
20	07001540	1	HOSE, ASM - 22"
21	07001601	1	FTTING, HYD 5404-12-12
22	07001713	1	FTG, HYD - STR 08MAORB-08MORB
23	07001715	1	FTG, HYD 3/4"NPT X 5/8" ID HOSE BARBED
24	07001717	1	HOSE, HYD - 58"
25	05960000	1	BLT-HEX .50-13X3.25 GR5 YWZC
26	05947000	6	BLT-HEX .31-18X.75 GR5 YWZC
27	05978200	1	BLT-HEX .50-13X7.50 GR5 YWZC
28	05948700	8	BLT-HEX .38-16X1.00 GR5 YWZC
29	06530008	7	NUT-LK-CTR-FLG .50-13 YWZC
30	06542000	8	NUT, LK-TOP-FLG .38-16 YWZC
31	06500010	1	NUT-LK-NYL-FLG .50-13 YWZC
32	06442000	2	WSHR-FL-STL.563X1.38X.109YWZC

# FRAME, ENGINE AND PUMP

Model 917011



BOM ID	Number	Qty	Description
1	04577059	1	WLDMT, CHASSIS -SPLITTER-(SMALL)-ORANGE
2	03938151	1	WLDMT, JACK STAND
3	04649800	2	CHAIN,
4	04580159	1	WLDMT, ENGINE /PUMP MOUNT
5	00463000	1	BREATHER, DIPSTICK
6	03846600	1	HITCH, BALL - 2"
7	04586500	1	COUPLER, CONNECTOR SPIDER
8	04586600	1	COUPLER, DRIVE 1/2"
9	04852351	2	PN, .373 X 7.30 X 2X .109 THRU (BLACK)
10	03857500	1	LOCK, BEAM
11	03926900	1	PUMP, SPLITTER - 11 GPM
12	04378651	1	HANDLE, SPLITTER DRAW BAR-BLACK
13	04577351	1	DRAWBAR, (CHANNEL)
14	04577651	2	GUIDE, LOCK DOWN
15	04579659	1	SUPPORT, REAR LEG
16	04586800	1	COUPLER, DRIVE 7/8"
17	04587859	1	COVER, COUPLING
18	04635751	2	MOUNT, SPRG LOADED JACK
19	05533500	1	SPCR, WHEEL .385X.500X2.00
20	06513100	2	NUT, SL 1.0-14
21	06600004	1	KEY, WDRF .125x.50x.20 (HRDEND)
22	06712900	3	HAIR, PIN #7 CLIP .094 X 2.31 YWZ
23	06713800	2	PN, CTR.15 X 1.50 YWZC
24	06900526	1	CLAMP, CUSHIONED STEEL, 1.25
25	06917900	1	CLAMP, CUSHIONED STEEL REV

BOM ID	Number	Qty	Description
26	06944800	2	CLIP, SPRING
27	07100806	2	WHEEL, SPLITTER 8X3.75 W/4.125 GREY
28	08200642	1	ENGINE, SABARU EA175V SS 4.5HP
29	08300435	1	SPRG, EXTENSION
30	08325900	1	SPRG, COMPRESSION .058X.65X2.13
31	05947000	4	BLT-HEX .31-18X.75 GR5 YWZC
32	05947100	12	BLT-HEX .50-13X1.00 GR5 YWZC
33	05978200	1	BLT-HEX .50-13X7.50 GR5 YWZC
34	05948700	7	BLT-HEX .38-16X1.00 GR5 YWZC
35	05957800	1	BLT-HEX .38-16X3.00 GR5 YWZC
36	05946900	4	BLT-HEX .31-18X1.00 GR5 YWZC
37	06606100	1	KEY-SQ .188X.188X.750
38	M135582	2	CAP, DUST
39	06530008	12	NUT-LK-CTR-FLG .50-13 YWZC
40	06530008	1	NUT-LK-CTR-FLG .50-13 YWZC
41	06545500	1	NUT-LK-NYL-FLG .38-16 YWZC
42	06543100	8	NUT, LK-TOP-FLG .312-18 YWZC
43	06542000	7	NUT, LK-TOP-FLG .38-16 YWZC
44	02747500	1	PN, CLEV .375X3.25 YWZC
45	07414100	3	SCR-TAP .38-16X1.00 HWH TR YZ
46	07400034	2	SCR-TAP .25-20X.50 HWH TR YWZ
47	06436200	2	WSHR-FL-STL.406X.812X.065 YWZ
48	06442000	1	WSHR-FL-STL.563X1.38X.109YWZC
49	06000222	2	SCR-SET, 25-20X.75 SKHCUPDL REV

# ACCESSORIES

Model 917011

## Light Harness Kit 71701300



Item	Part No.	Qty.	Description
1	03888300	1	Wiring Harness, Trailer Light Kit
2	03888400	2	Housing, Tail Light With Bulb
3	03888500	2	Grommet, Tail Light Mounting

## Engine Cover Kit 71701500



Item	Part No.	Qty.	Description
1	03888900	1	Cover, Engine

## Log Splitter Cover Kit 71702000



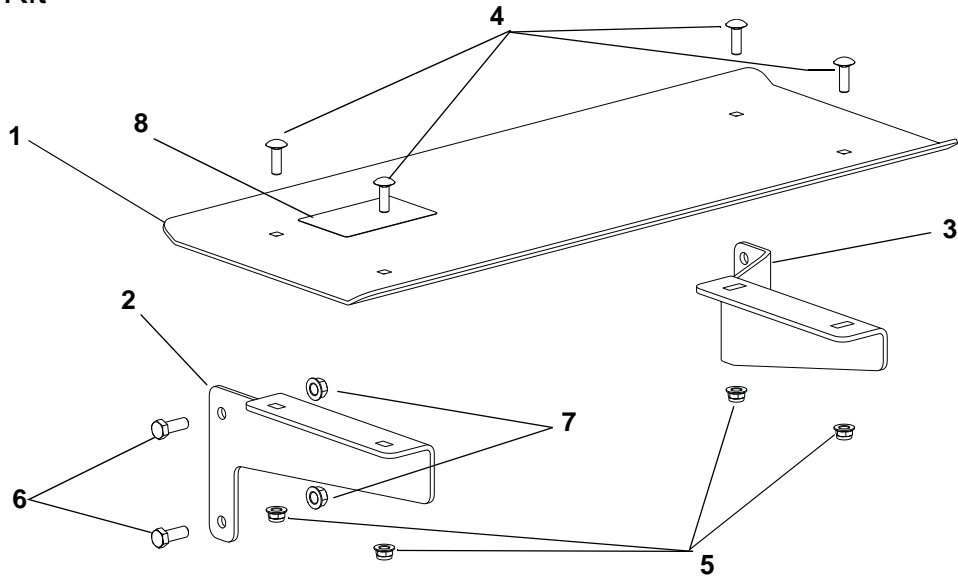
Item	Part No.	Qty.	Description
1	71702000	1	Log Splitter Cover Kit



# ACCESSORIES

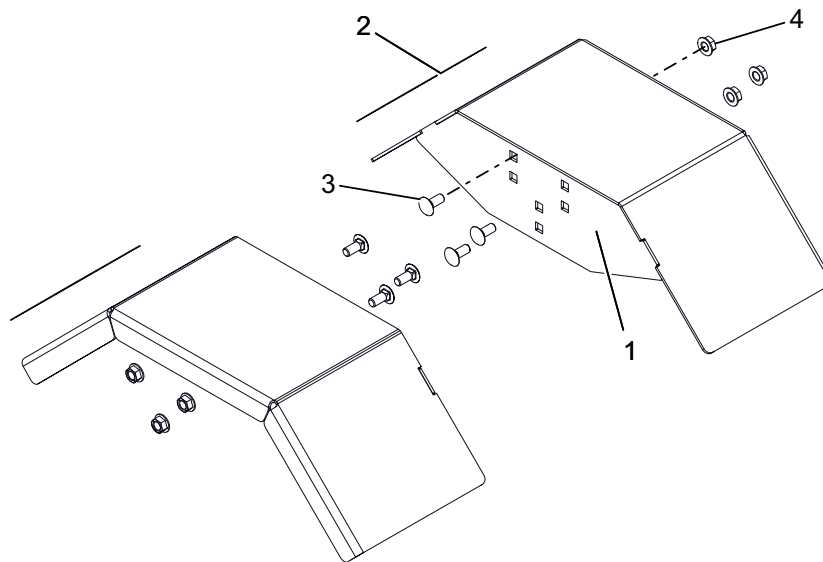
## Model 917011

### Work Table Kit 71702900



Item	Part No.	Qty.	Description
1	04590059	1	Table, Work
2	04589551	1	Bracket, Front
3	04589451	1	Bracket, Rear
4	06200007	4	Bolt, Round Head Square Neck .31-18 x 1.00
5	06545400	4	Nut, Locking Nylon Flange .31-18
6	05948700	2	Bolt, Hex .38-16 x 1.00
7	06542000	2	Nut, Locking Top Flange .38-16
8	08000727	1	Decal, Splitter Table

### Fender Kit 71703000



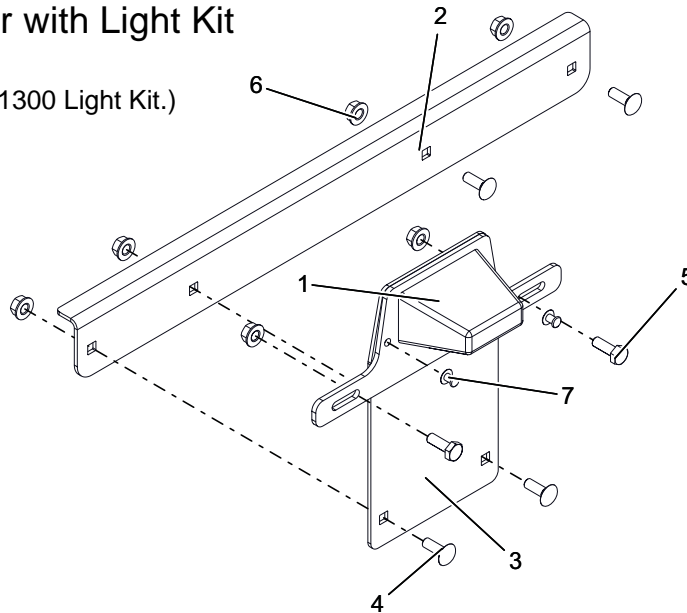
BOM ID	Number	Qty	Description
1	03857159	2	WLDMT, FENDER
2	02995900	2	DECAL, ARIENS JEWEL (LARGE)
3	06215700	6	@BLT-RDHDSQNK .31-18X.75 G5 YWZC
4	06543100	6	@NUT, LK-TOP-FLG .312-18 YWZC

# ACCESSORIES

## Model 917011

### License Plate Holder with Light Kit 71703200

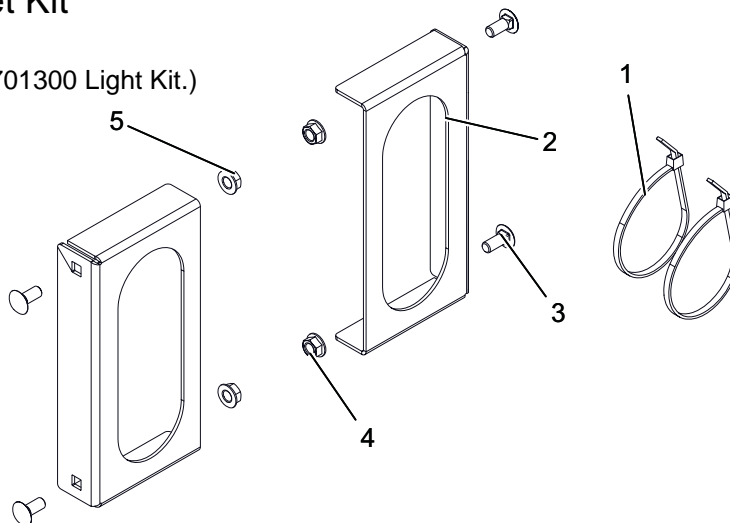
(Requires purchase of 71701300 Light Kit.)



BOM ID	Number	Qty	Description
1	03888600	1	BRKT, LICENSE PLATE W/LIGHT
2	04285551	1	BRKT, SPLITTER LICENSE PLATE-BLACK
3	04577851	1	SUPPORT, BACK -LICENSE PLATE-BLACK
4	06219900	4	@BLT-RDHDSQNK .25-20X.75 G5 YWZC
5	05946800	2	BLT-HEX .25-20X.75 GR5 YWZC
6	06543500	6	@NUT, LK-TOP-FLG .25-20 YWZC
7	06800028	2	RVT-POP .187x.250 (#64) YWZC

### Brake Light Bracket Kit 71703300

(Requires purchase of 71701300 Light Kit.)



BOM ID	Number	Qty	Description
1	04003800	2	WRAP, TIE
2	04580751	2	BRKT, LIGHT MOUNTING-BLACK
3	06215700	4	@BLT-RDHDSQNK .31-18X.75 G5 YWZC
4	06543100	2	@NUT, LK-TOP-FLG .312-18 YWZC
5	06543100	2	@NUT, LK-TOP-FLG .312-18 YWZC

# NOTES

---



Ariens  
655 West Ryan Street  
Brillion, WI 54110  
920-756-4688  
Fax 920-756-2407  
[www.ariens.com](http://www.ariens.com)  
[www.ariens.eu](http://www.ariens.eu)  
[www.ariens.com.au](http://www.ariens.com.au)

An *Ariens* Company Brand