

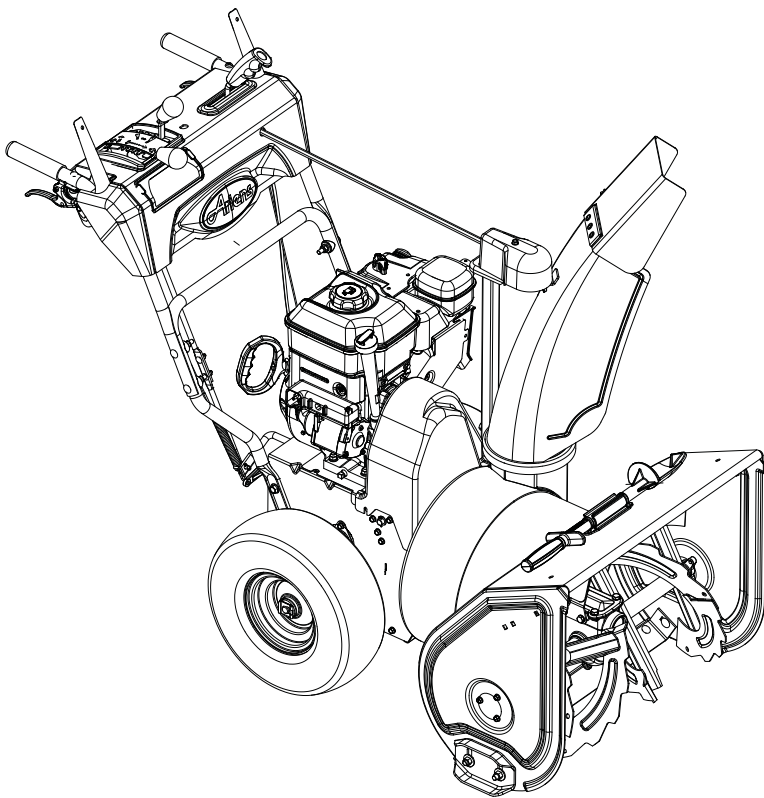


THE KING OF SNOW®

Sno-Thro®

921 Series

Parts Manual



Models

921013 – Deluxe 30

(Serial No. 035000 and up)

921017 – Deluxe 24 Platinum

(Serial No. 035000 and up)

921018 – Deluxe 30 Platinum

(Serial No. 035000 and up)

921022 – Deluxe 28

(Serial No. 035000 and up)

921023 – Deluxe 28 Track

(Serial No. 035000 and up)

921031 – Deluxe 24

(Serial No. 101 and up)

Gasoline containing up to 10% ethanol (E10) or up to 10% MTBE (methyl tertiary butyl ether) is acceptable for use in this machine. The use of any gasoline exceeding 10% ethanol (E10) or 10% MTBE will void the product warranty.

Il est possible d'utiliser de l'essence contenant jusqu'à 10% d'éthanol (E10) ou 10% de MTBE (éther méthyl-tertiobutylique) sur cette machine. L'utilisation d'une essence contenant plus de 10% d'éthanol (E10) ou de 10% de MTBE annulent la garantie.

En esta máquina puede utilizarse gasolina con hasta un 10% de etanol (E10) o hasta un 10% de MTBE (éter de metil butil terciario). El uso de cualquier otro tipo de gasolina con un porcentaje superior al 10% de etanol (E10) o al 10% de MTBE invalidará la garantía del producto.

THE MANUAL

Before you operate your unit, carefully and completely read manuals supplied with the unit. The contents will provide you with an understanding of safety instructions and controls during normal operation and maintenance.

For your safety and the safety of others always read, understand, and follow all DANGER, WARNING, and CAUTION messages found in manuals and on safety decals.

Hardware descriptions are given in decimals.

Decimals to Fractions			
.063	1/16	.563	9/16
.125	1/8	.625	5/8
.188	3/16	.688	11/16
.250	1/4	.750	3/4
.313	5/16	.813	13/16
.375	3/8	.875	7/8
.438	7/16	.938	15/16
.500	1/2	1.00	1

SERVICE AND REPLACEMENT PARTS

When ordering replacement parts or making service inquiries, know the Model and Serial numbers of your unit and engine.

Numbers are located on the product registration card in the unit literature package. They are printed on a serial number label, located on the frame of your unit.

• Record Unit Model and Serial numbers here:

• Record Engine Model and Serial numbers here:

UNAUTHORIZED REPLACEMENT PARTS

Use only Ariens replacement parts. The replacement of any part on this vehicle with anything other than an Ariens authorized replacement part may adversely affect the performance, durability, or safety of this unit and may void the warranty. Ariens disclaims liability for any claims or damages, whether warranty, property damage, personal injury or death arising out of the use of unauthorized replacement parts.

PRODUCT REGISTRATION

The Ariens dealer must register the product at the time of purchase. Registering the product will help the company process warranty claims or contact you with the latest service information. All claims meeting requirements during the limited warranty period will be honored, whether or not the product registration card is returned. Keep a proof of purchase if you do not register your unit.

Customer Note: If Dealer does not register your product, please fill out, sign and return the product registration card to Ariens or go to www.ariens.com.

YOUR SATISFACTION IS IMPORTANT

Questions? Please follow these helpful steps:

1. Refer to the manuals supplied with your unit.

They will guide you through safe and proper operation and maintenance.

They contain specifications on your unit.

If your questions are not answered in these manuals, go to step number two.

2. Contact Your Dealer.

Our dealers will be happy to supply any service or advice required to keep your unit operating at peak efficiency.

A factory trained staff is available to support your equipment needs. They stock genuine Ariens parts and lubricants manufactured with the same precision and skill as the original.

If your questions are not resolved by the support staff, ask for the manager or owner.

When contacting your Dealer supply your model and serial numbers.

TO SPEED PARTS ORDERING:

1. Know the model and serial numbers of your unit.

2. Know the part number required.

3. Know the quantity required.

4. Know the part description.

MODELS

Domestic

Model 921013 (Deluxe 30)

30" Sno-Thro, Electric Start
Serial No. 035000 and up

Model 921017 (Deluxe 24 Platinum)

24" Sno-Thro, Electric Start
Serial No. 035000 and up

Model 921018 (Deluxe 30 Platinum)

30" Sno-Thro, Electric Start
Serial No. 035000 and up

Model 921022 (Deluxe 28)

28" Sno-Thro, Electric Start
Serial No. 035000 and up

Model 921023 (Deluxe 28 Track)

28" Sno-Thro, Track, Electric Start
Serial No. 035000 and up

Model 921031 (Deluxe 24)

24" Sno-Thro, Electric Start
Serial No. 000101 and up

TABLE OF CONTENTS

DECALS

Decals	4
------------------	---

ENGINE AND DRIVE

Engine and Belt Drive	6
Friction Drive	8
Wheels and Axles	10

FRAME AND HOUSING

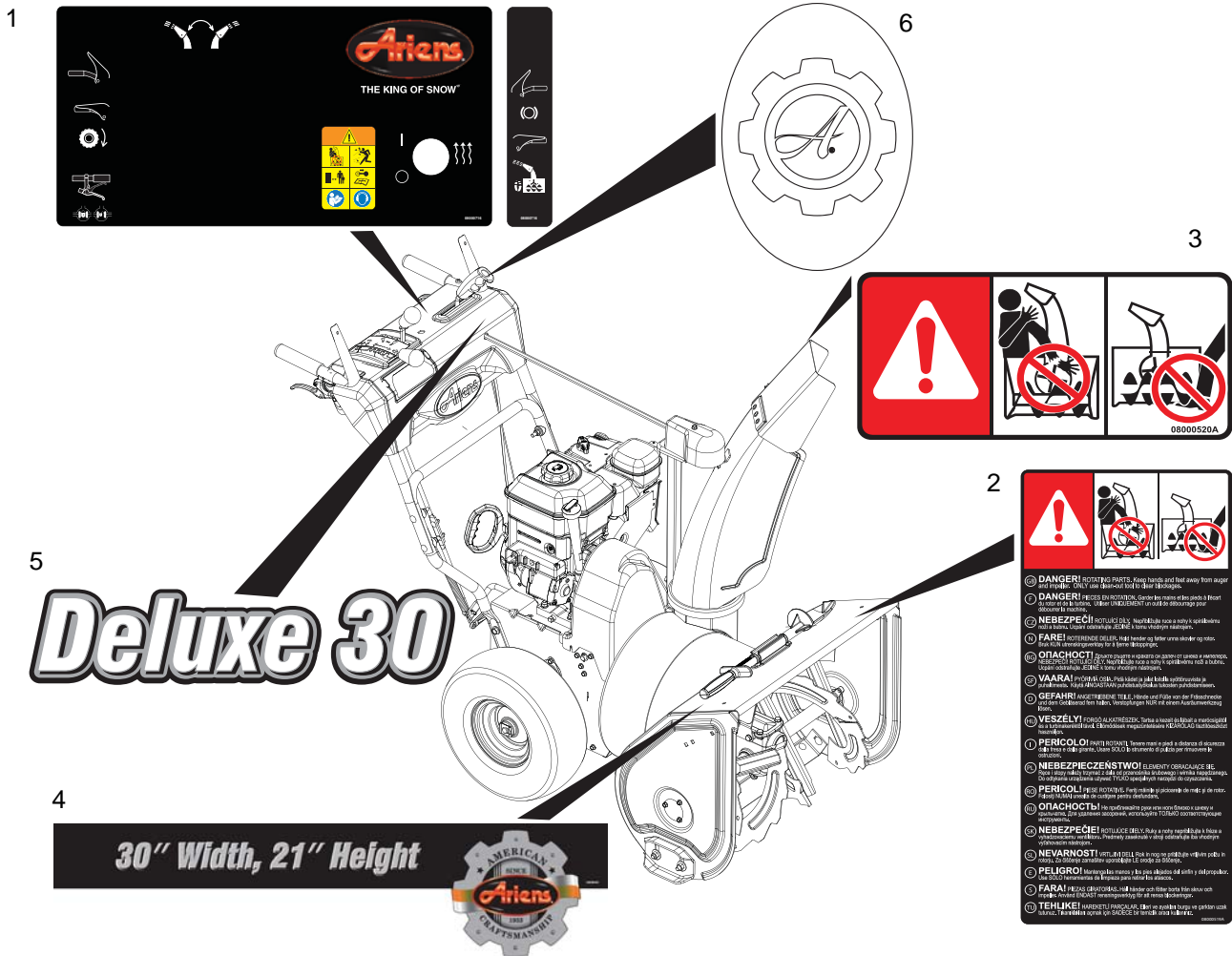
Track and Axles	14
Handlebars and Controls	16
Handlebars, Lever Controls, Panel and Dash	18
Chute and Auger	20
Discharge Chute	22
Gear Case – Cast Iron	26

ELECTRICAL

Electrical and Wiring Diagram	28
---	----

DECALS

Model 921013, 017, 018, 022, 023, 031

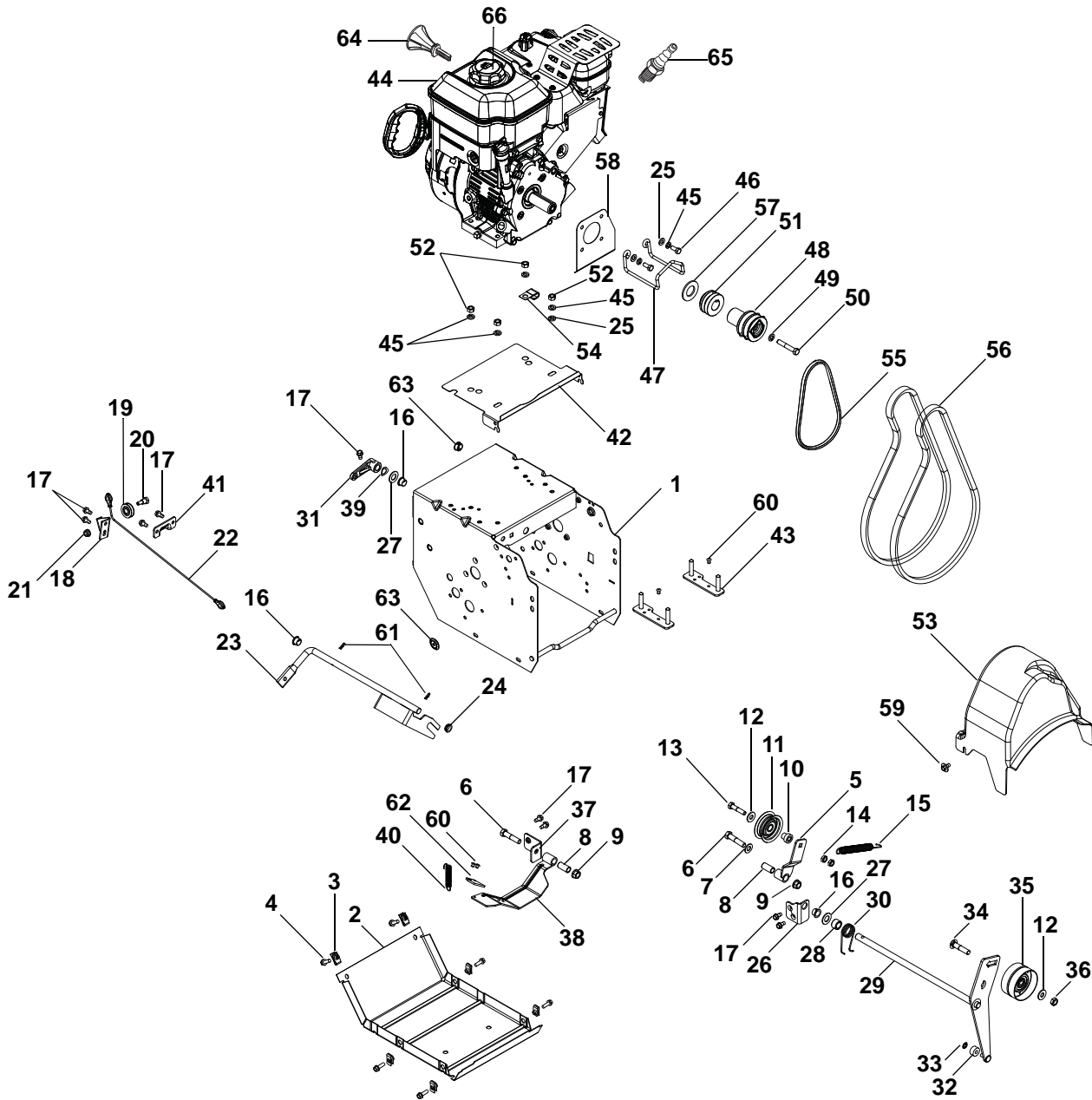


Item	Part No.	Qty.	Description
1	08000713	1	Decal, Control, Deluxe Pin Lock Axle (921031)
	08000714	1	Decal, Control, Deluxe Remote Axle (921022)
	08000715	1	Decal, Control, Deluxe Track (921023)
	08000716	1	Decal, Control, Deluxe Remote Axle, Heated Hand Grips (921013)
	08000717	1	Decal, Control, Platinum (921017, 018)
2	08000519	1	Decal, Danger, Rotating Parts
3	08000520	1	Decal, Danger
4	08000640	1	Decal, Housing, 30 (921013, 018)
	08000701	1	Decal, Housing, 28 (921022, 023)
	08000702	1	Decal, Housing, 24 (921017, 031)
5	08000636	1	Decal, Deluxe 30 (921013)
	08000635	1	Decal, Platinum 24 (921017)
	08000634	1	Decal, Platinum 30 (921018)
	08000510	1	Decal, Deluxe 28 (921022, 023)
	08000332	1	Decal, Deluxe 24 (921031)
6	08000630	1	Decal, Ariens Gear (921017, 018)

NOTES

ENGINE AND BELT DRIVE

Model 921013, 017, 018, 022, 023, 031



Item	Part No.	Qty.	Description
1	03884259	1	Frame
2	00492359	1	Cover, Bottom
3	07009000	6	Nut, Retainer .25-20 x .56
4	05900019	6	Bolt, Hex Washer Head .25-20 x .75
5	00493600	1	Arm, Traction Idler
6	05958500	2	Bolt, Hex .38-16 x 1.75
7	06436200	1	Washer, Flat, Steel .406 x .812 x .065
8	05500106	2	Bushing, Sleeve
9	06542000	2	Nut, Locking Top Flange .38-16
10	01213100	1	Spacer
11	02457400	1	Idler
12	06435700	2	Washer, Flat Steel .38 x .875 x .083

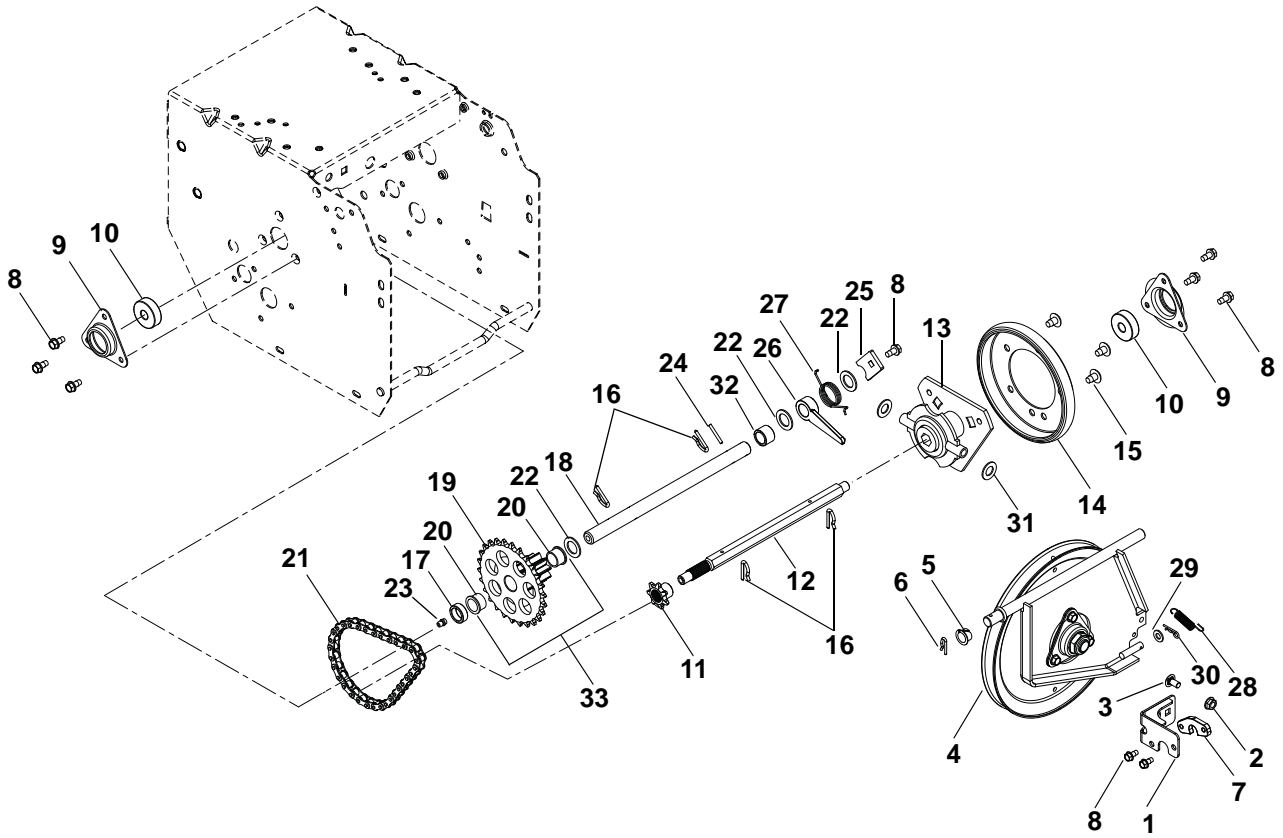
ENGINE AND BELT DRIVE

Model 921013, 017, 018, 022, 023, 031

Item	Part No.	Qty.	Description
13	05952400	1	Bolt, Hex .31-18 x 1.50
14	06500011	2	Nut, Locking Center Jam .31-18
15	08300528	1	Spring
16	05500026	3	Bushing, Polyliner
17	07400034	7	Screw, Tapping Hex Washer Head Thread Rolling .25-20 x .50 (921017, 018, 023, 031)
	07400034	9	Screw, Tapping, Hex Washer Head Thread Rolling .25-20 x .50 (921013, 022)
18	00373051	1	Bracket, Cable Pulley
19	07300012	1	Pulley, Cable
20	07000021	1	Bolt, Shoulder
21	06543500	1	Nut, Locking Top Flange .25-20
22	06900505	1	Cable
23	00494051	1	Shift Fork
24	05500028	1	Bushing, Polyliner
25	06437200	3	Washer, Flat Steel .344 x .688 x .065
26	00495051	1	Bracket, Idler Arm
27	06425300	2	Washer, Flat Steel .531 x 1.00 x .063
28	05500107	1	Bushing, Sleeve
29	02956767	1	Idler Arm
30	08300326	1	Spring
31	01987100	1	Arm, Clutch
32	05500037	1	Bushing, Sleeve
33	05717600	1	Ring, Retaining, External .250 x .010
34	06200111	1	Bolt, Round Head Square Short Neck .38-16 x 1.75
35	07333500	1	Idler, Flat
36	06537200	1	Nut, Locking Center Jam .375-16
37	00657551	1	Bracket, Brake Mount
38	52000500	1	Arm, Brake with Pad (Includes Items 60 and 62)
39	06400005	1	Washer, Wave
40	08300103	1	Spring
41	00956051	1	Bracket, Cable Mount (921013, 022)
42	03880851	1	Baffle (921017, 022, 023, 031)
	03880751	1	Baffle (921013, 018)
43	00188400	2	Strap, Engine Bolt (921017, 022, 023, 031)
	00392000	2	Strap, Engine Bolt (921013, 018)
44	08200707	1	Engine, Briggs & Stratton Polar Force 1150, 120V (921017, 022, 023, 031)
	08200708	1	Engine, Briggs & Stratton Polar Force 1450, 120V (921013)
	08200709	1	Engine, Briggs & Stratton Polar Force 1650, 120V (921018)
45	06307400	6	Washer, Locking .312 x .097
46	05947300	2	Bolt, Hex .31-24 x .75
47	03882100	1	Finger, Belt
48	03967900	1	Sheave, Auger
49	06308800	1	Washer, Locking .38 x .094
50	05901307	1	Bolt, Hex .38-24 x 2.25
51	03966900	1	Sheave, Drive
52	06529200	4	Nut, Hex .31-18
53	04083900	1	Cover, Belt
54	06909400	1	J-Clamp
55	07200111	1	V-Belt, Drive
56	07200514	1	V-Belt, Matched Set, Auger
57	06443000	1	Washer, Flat Steel 1.062 x 2.0 x .134 (921013, 018)
58	03815251	1	Baffle (921013, 018)
59	07400104	2	Screw, Tapping Large Hex Washer Head Thread Rolling .25-20 x .50
60	06800028	4	Rivet, Pop – .187 (Included with Item 38)
61	06944800	2	Spring Clip
62	00180500	1	Pad, Brake (Included with Item 38)
63	07500023	1	Plug, Hole (921023)
	07500023	3	Plug, Hole (921017, 018, 031)
	07500023	2	Plug, Hole (921013, 022)
64	07500130	1	Key, Rotary – Briggs & Stratton
65	21547500	1	Spark Plug (921017, 022, 023, 031)
	21550500	1	Spark Plug (921013, 018)
66	07500215	1	Fuel Cap – Briggs & Stratton (921017, 022, 023, 031)
	07500216	1	Fuel Cap – Briggs & Stratton (921013, 018)

FRICION DRIVE

Model 921013, 017, 018, 022, 023, 031



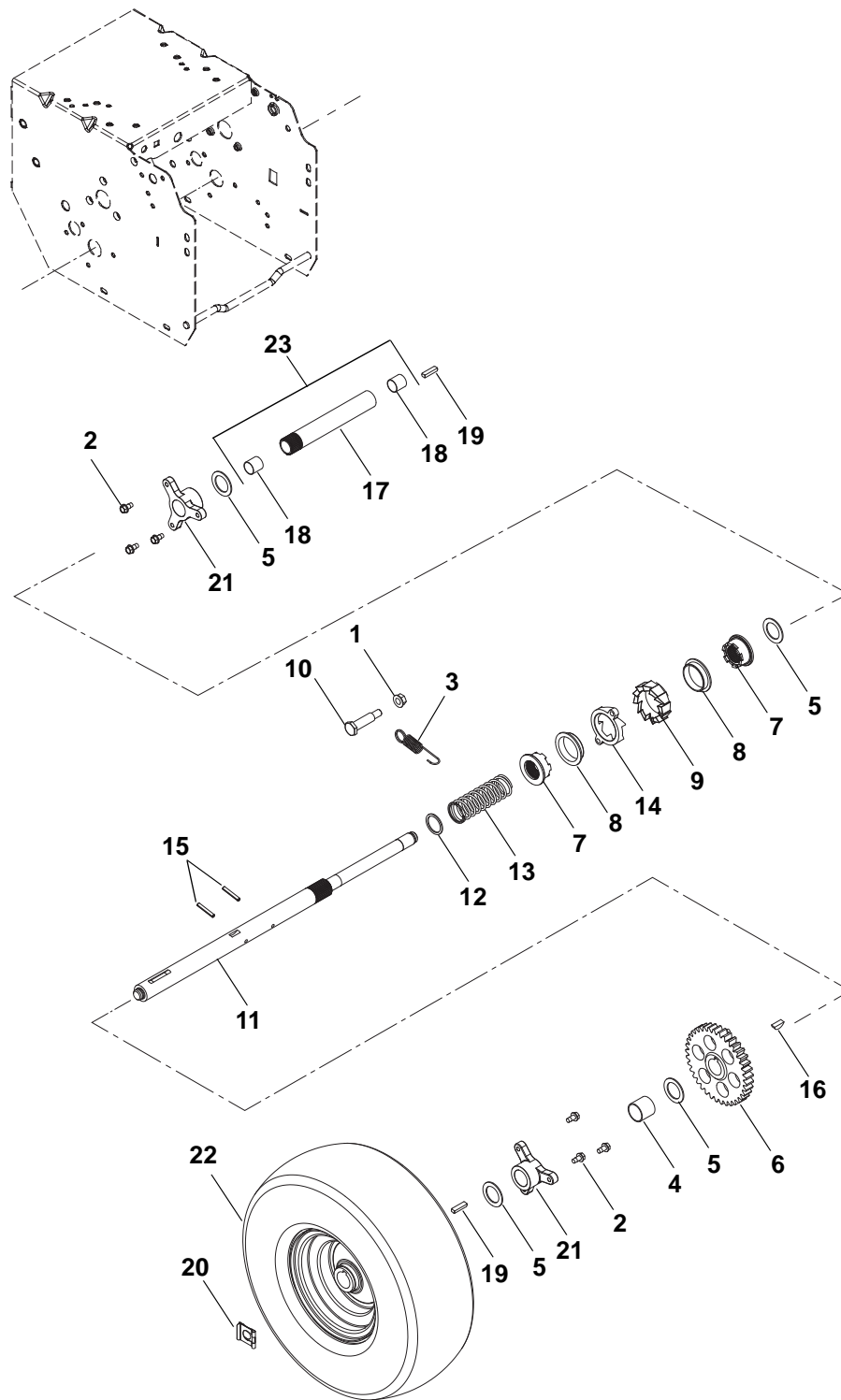
FRICION DRIVE

Model 921013, 017, 018, 022, 023, 031

Item	Part No.	Qty.	Description
1	00657059	1	Frame Bracket
2	06543100	1	Nut, Locking Top Flange .31-18
3	06212200	1	Bolt, Round Head Square Short Neck .31-18 x .62
4	52100200	1	Plate, Swing Assembly
5	05500026	1	Bushing, Polyliner
6	06944800	1	Spring Clip
7	05500113	1	Spacer
8	07400034	9	Screw, Tapping Hex Washer Head Thread Rolling .25-20 x .50
9	00383000	2	Flange, Bearing
10	05435200	2	Bearing
11	04092600	1	Sprocket, Pinion
12	04149500	1	Shaft, Hex
13	00383100	1	Carrier, Friction Disc
14	00170800	1	Friction Disc
15	07400009	3	Screw, Tapping Serrated Round Head Torx .31-18 x .50
16	06714500	4	Pin, Spring Clip
17	05500035	1	Bushing, Sleeve
18	00657900	1	Shaft, Pinion
19	00190600	1	Sprocket/ Gear (Included in Item 33)
20	05500111	2	Bushing, Flange (Included in Item 33)
21	02466200	1	Chain, Roller
22	06436100	3	Washer, Flat Steel .630 x 1.005 x .062 (921013, 022)
	06436100	1	Washer, Flat Steel .630 x 1.005 x .062 (921017, 018, 023, 031)
23	07061300	1	Zerk, Fitting .25 x .125 Drive In
24	05800205	1	Pin, Groove Type E .125 x 1.00
25	00503500	1	Tab, Anti-Rotation
26	00391200	1	Lever, Lock Arm (921013, 022)
27	00391300	1	Spring (921013, 022)
28	08300036	1	Spring
29	06437200	1	Washer, Flat Steel .344 x .688 x .065
30	06713500	1	Pin, Hair, Internal .08 x .18 x 1.18
31	06439200	2	Washer, Flat Steel .505 x 1.00 x .062
32	05500029	1	Bushing, Sleeve (921017, 018, 023, 031)
33	52601500	1	Sprocket/Gear with Bushings (Includes Items 19 and 20)

WHEELS AND AXLES

Model 921013, 022



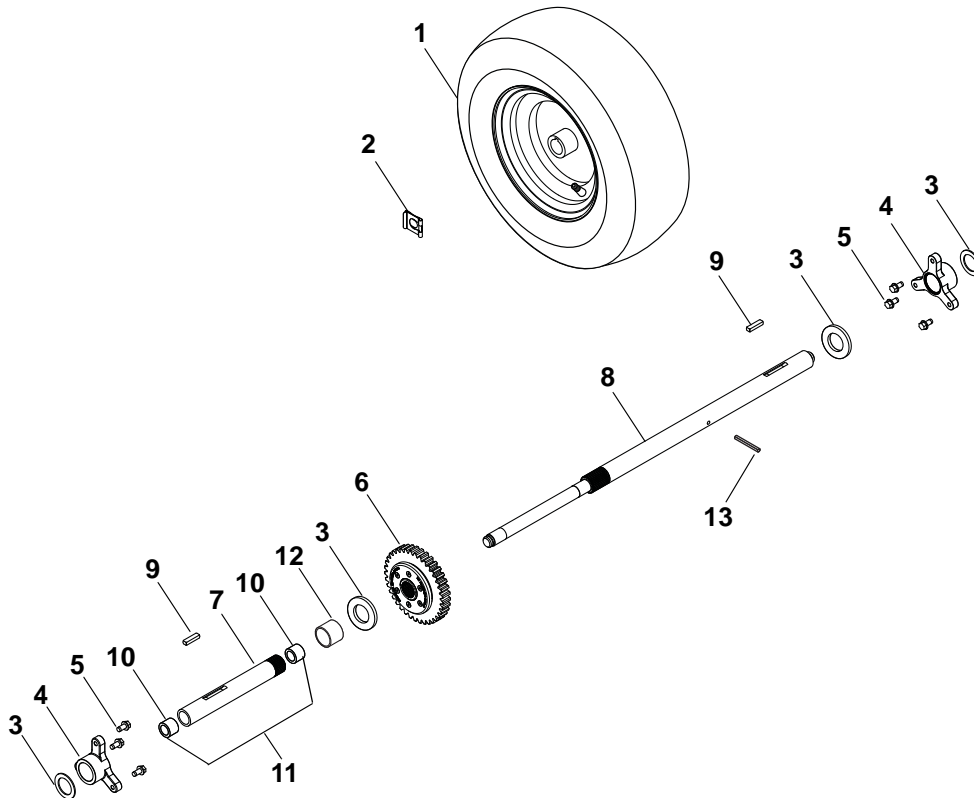
WHEELS AND AXLES

Model 921013, 022

Item	Part No.	Qty.	Description
1	06542000	1	Nut, Locking Top Flange .38-16
2	07400034	6	Screw, Tapping Hex Washer Head Thread Rolling .25-20 x .50
3	08300023	1	Spring
4	05500122	1	Bushing, Sleeve
5	06436300	4	Washer, Flat Steel 1.010 x 1.505 x .062
6	00371000	1	Gear
7	00386900	2	Dog Clutch, Sliding
8	00391100	2	Bushing, Flange
9	00387000	1	Gear, Ratchet
10	05901432	1	Bolt, Shoulder
11	00865600	1	Axle, Long
12	06400332	1	Washer, Flat Steel 1.010 x 1.250 x .068
13	00427700	1	Spring
14	00387100	1	Gear, Clutch
15	05800300	2	Pin, Roll .188 x 1.25
16	06601200	1	Key, Woodruff .25 x .750 x .313 SAE91
17	00865700	1	Axle, Short (Included in Item 23)
18	05500023	2	Bushing, Sleeve (Included in Item 23)
19	06600002	2	Key, Rectangular .25 x .188 x 1.00
20	05700001	2	Clip, Snap
21	05500829	2	Bushing, Axle
22	07100917	2	Tire/Wheel Assembly, 15 x 5.00-6 K398A
	07100815	AR	Tire, 15 x 5.00-6 K398A
23	52101100	1	Axle, Short with Bushings (Includes Items 17 and 18)

WHEELS AND AXLES

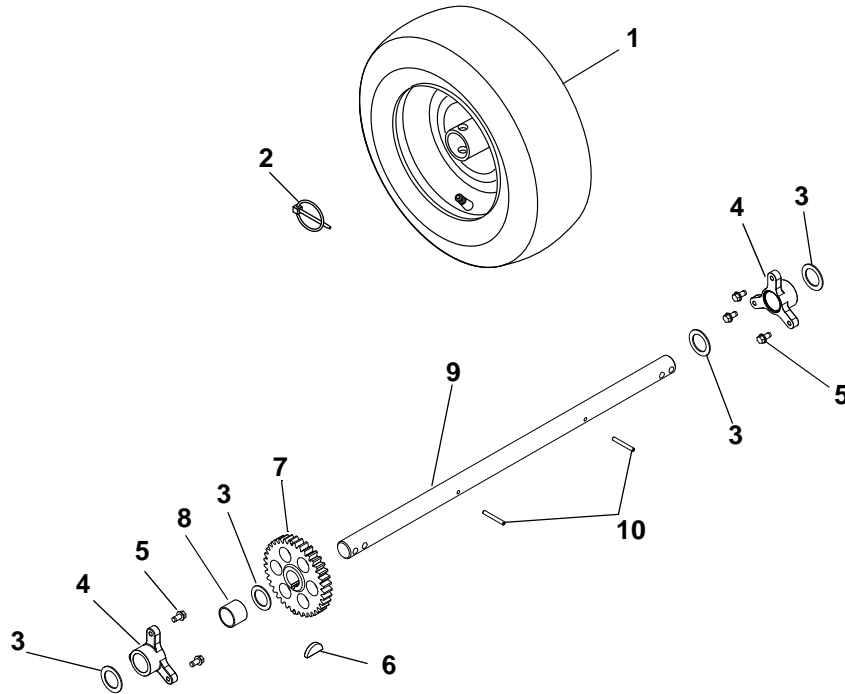
Model 921017, 018



Item	Part No.	Qty.	Description
1	07100227	1	Tire/Wheel Assembly Right Hand 15 x 5.00-6
	07100228	1	Tire/Wheel Assembly Left Hand 15 x 5.00-6
	07100726	AR	Tire, 15 x 5.00-6 K478
2	05700001	2	Clip, Snap
3	06436300	4	Washer, Flat Steel 1.010 x 1.505 x .062
4	05500829	2	Bushing, Axle
5	07400034	6	Screw, Tapping Hex Washer Head Thread Rolling .25-20 x .50
6	00866000	1	Differential Assembly
7	00865900	1	Axle, Short (Included in Item 11)
8	00865800	1	Axle, Long
9	06600002	2	Key, Rectangular .25 x .188 x 1.00
10	05500023	2	Bushing, Sleeve (Included in Item 11)
11	52101200	1	Axle with Bushings (Includes Items 7 and 10)
12	05500122	1	Bushing, Sleeve
13	05800300	1	Pin, Roll .188 x 1.25

WHEELS AND AXLES

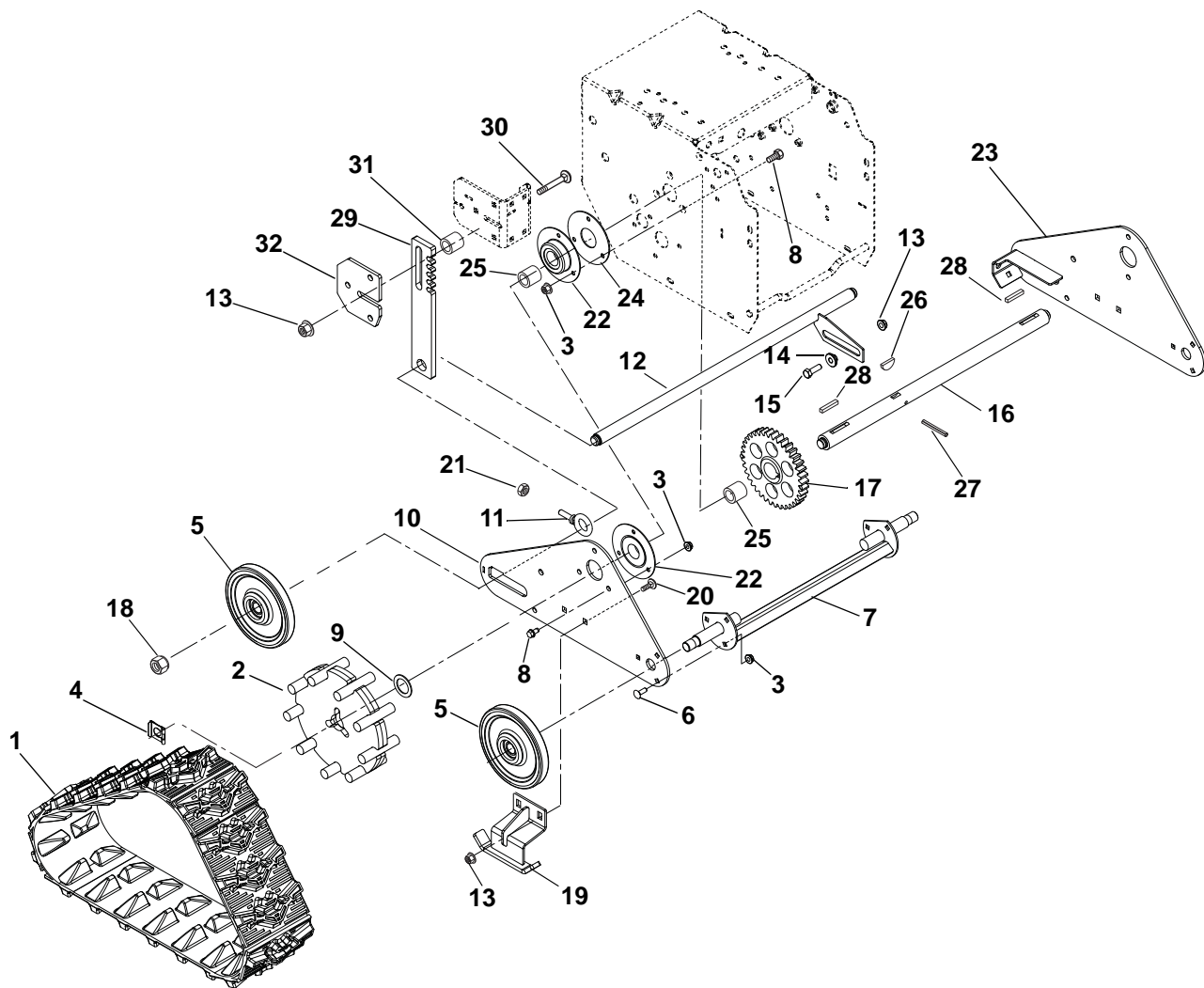
Model 921031



Item	Part No.	Qty.	Description
1	07100918	2	Tire/Wheel Assembly, 15 x 5.00-6 K398A
	07100815	AR	Tire, 15 x 5.00-6 K398A
2	07015800	2	Pin-Lok
3	06436300	4	Washer, Flat Steel 1.010 x 1.505 x .062
4	05500829	2	Bushing, Axle
5	07400034	6	Screw, Tapping Hex Washer Head Thread Rolling .25-20 x .50
6	06601200	1	Key, Woodruff .25 x .750 x .313 SAE 91
7	00371000	1	Gear
8	05500122	1	Bushing, Sleeve
9	00658100	1	Shaft, Axle
10	05800300	2	Pin, Roll .188 x 1.25

TRACK AND AXLES

Model 921023



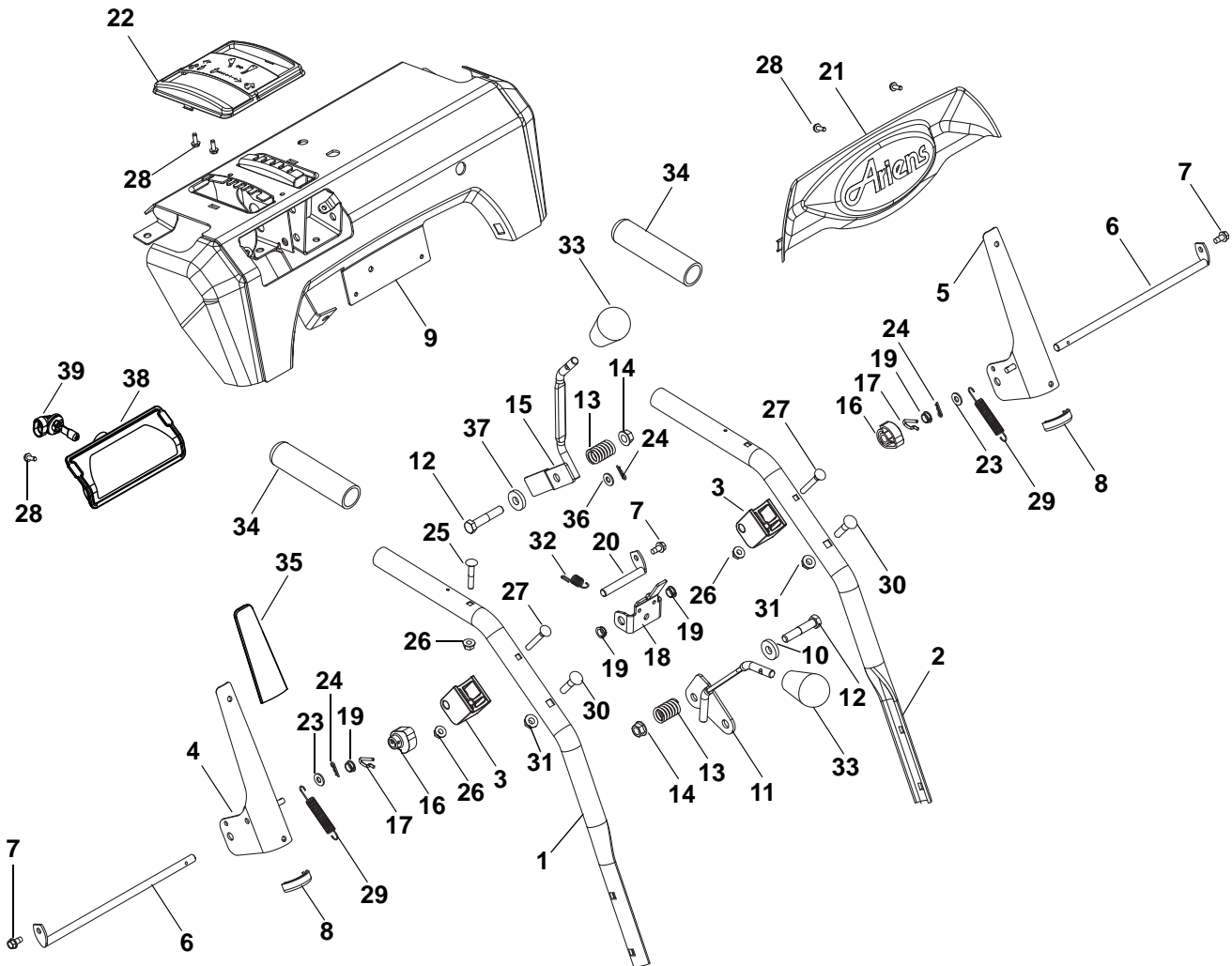
TRACK AND AXLES

Model 921023

Item	Part No.	Qty.	Description
1	00669700	2	Track
2	00670351	2	Wheel, Drive
3	06543500	18	Nut, Locking Top Flange .25-20
4	05700001	2	Clip, Snap
5	03293600	4	Wheel, Bogie
6	06219900	6	Bolt, Round Head Square Neck .25-20 x .75
7	03275800	1	Axle, Front
8	05946800	12	Bolt, Hex .25-20 x .75
9	06436300	2	Washer, Flat, Steel 1.010 x 1.505 x .062
10	03375751	1	Side Plate, Right Hand
11	07000040	2	Bolt, Eye
12	03293700	1	Axle, Rear
13	06543100	8	Nut, Locking Top Flange .31-18
14	01305900	1	Flange Bushing
15	05946900	1	Bolt, Hex .31-18 x 1.00
16	03291500	1	Shaft, Axle
17	00371000	1	Gear
18	06530300	4	Nut, Locking, Nylon .63-18
19	00660751	2	Runner, Guide
20	06215700	4	Bolt, Round Head Square Neck .31-18 x .75
21	06534800	2	Nut, Locking Center Flange .38-16
22	05400706	4	Bearing
23	03375851	1	Side Plate, Left Hand
24	03389051	2	Plate, Bearing Spacer
25	05500122	3	Bushing, Sleeve
26	06601200	1	Key, Woodruff .25 x .750 x .313 SAE 91
27	05800300	1	Pin, Roll .188 x 1.25
28	06600002	2	Key, Rectangular .25 x .188 x 1.00
29	03293851	1	Stop, Height Adjuster
30	06200008	3	Bolt, Round Head Square Short Neck .31-18 x 1.25
31	01103100	3	Spacer
32	03294151	1	Plate, Height Adjuster

HANDLEBARS AND CONTROLS

Model 921013, 017, 018, 022, 023, 031



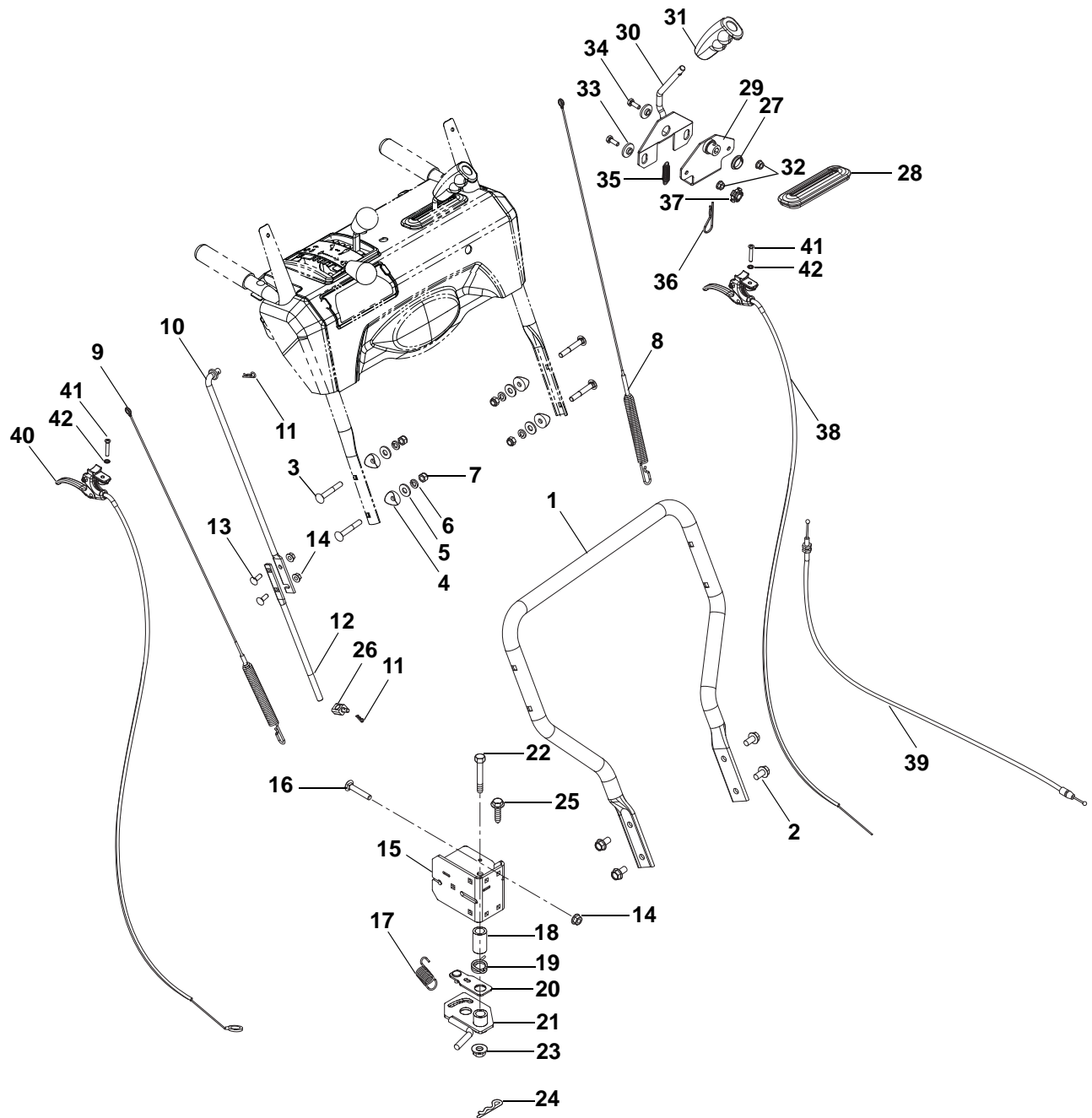
HANDLEBARS AND CONTROLS

Model 921013, 017, 018, 022, 023, 031

Item	Part No.	Qty.	Description
1	04318151	1	Handlebar, Upper, Right Hand (921022, 023, 031)
	52610200	1	Handlebar, Upper, Right Hand with Heated Hand Grip (921013, 017, 018)
2	04318251	1	Handlebar, Upper, Left Hand (921022, 023, 031)
	52610300	1	Handlebar, Upper, Left Hand with Heated Hand Grip (921013, 017, 018)
3	04310100	2	Clutch Paddle Block
4	04310551	1	Clutch Handle, Right Hand
5	04310451	1	Clutch Handle, Left Hand
6	04320600	2	Rod, Paddle Mount
7	07400034	3	Screw, Tapping Hex Washer Head Thread Rolling .25-20 x .50
8	07500103	2	Edging, Clutch Handle
9	52104400	1	Control Panel with Decal (921013)
	52104500	1	Control Panel with Decal (921017, 018)
	52104300	1	Control Panel with Decal (921022)
	52104600	1	Control Panel with Decal (921023)
	52103900	1	Control Panel with Decal (921031)
10	06444000	1	Washer, Flat Steel .406 x 1.00 x .188
11	04320200	1	Lever, Shift
12	05963300	2	Bolt, Hex .38-16 x 2.00
13	08335700	2	Spring
14	06542000	2	Nut, Locking Top Flange .38-16
15	04320300	1	Lever, Deflector
16	04322100	2	Cam, Interlock
17	06714500	2	Pin, Spring Clip
18	04320400	1	Interlock Arm
19	05500020	4	Bushing, Polyliner
20	04320500	1	Rod, Pivot
21	04304400	1	Dash Bezel
22	04323300	1	Shift Bezel
23	06437300	2	Washer, Flat Steel .281 x .62 x .065
24	06701900	3	Pin, Hair, Internal .06 x .18 x .77
25	06220100	1	Bolt, Round Head Extra Long Square Neck .25-20 x 1.25
26	06543500	3	Nut, Locking Top Flange .25-20 (921013, 022, 023)
	06543500	4	Nut, Locking Top Flange .25-20 (921017, 018, 031)
27	06209300	2	Bolt, Round Head Extra Long Square Neck .25-20 x 2.00
28	07400107	6	Screw, Tapping Hex Head Boss #10 x .50
29	08300527	2	Spring
30	06212100	2	Bolt, Round Head Square Neck .31-18 x 1.50
31	06543100	2	Nut, Locking Top Flange .31-18
32	08337000	1	Spring
33	07500209	2	Knob
34	07518700	2	Handle Grip (921022, 023, 031)
35	07500211	2	Sleeve, Clutch Handle
36	05501012	1	Bushing, Sleeve
37	06439300	1	Washer, Flat Steel .380 x 1.50 x .062
38	04307600	1	Headlight Assembly
39	00432600	1	Bulb, Light

HANDLEBARS, LEVER CONTROLS, PANEL AND DASH

Model 921013, 017, 018, 022, 023, 031



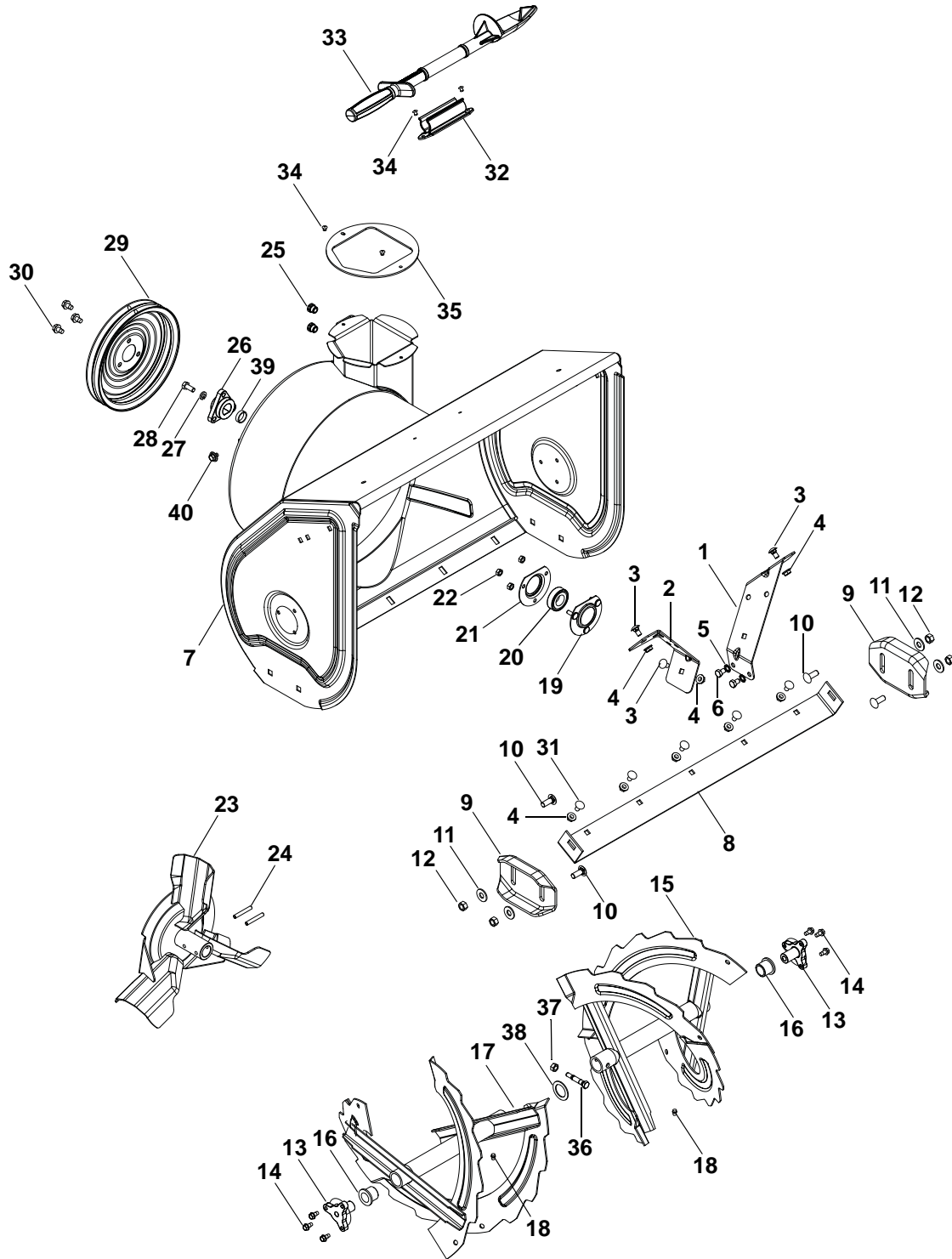
HANDLEBARS, LEVER CONTROLS, PANEL AND DASH

Model 921013, 017, 018, 022, 023, 031

Item	Part No.	Qty.	Description
1	00866251	1	Handlebar, Lower
2	07028500	4	Bolt, Serrated Hex Flange Washer Head .38-16 x .75
3	06221600	4	Bolt, Round Head Square Neck .31-18 x 2.25
4	07500005	4	Spacer, Handlebar
5	06435700	4	Washer, Flat Steel .38 x .875 x .083
6	06307400	4	Washer, Locking .312 x .097
7	06530200	4	Nut, Locking Nylon .31-18
8	06900502	1	Cable, Traction
9	06900439	1	Cable, Auger
10	04336367	1	Rod, Shift, Upper
11	06713500	2	Pin, Hair, Internal .08 x .18 x 1.18
12	04343867	1	Rod, Shift, Lower
13	06219900	2	Bolt, Round Head Square Neck .25-20 x .75
14	06543500	2	Nut, Locking Top Flange .25-20 (921013, 017, 018, 022, 031)
	06543500	6	Nut, Locking Top Flange .25-20 (921023)
15	03293951	1	Bracket, Height Adjuster (921023)
16	06219900	4	Bolt, Round Head Square Neck .25-.20 x .75 (921023)
17	08300103	1	Spring (921023)
18	05500106	1	Bushing, Sleeve (921023)
19	08300015	1	Spring (921023)
20	03376200	1	Arm, Overtravel (921023)
21	03294000	1	Lock, Height Adjuster (921023)
22	05958500	1	Bolt, Hex .38-16 x 1.75 (921023)
23	06534800	1	Nut, Locking Center Flange .38-16 (921023)
24	06701900	1	Pin, Hair, Internal .06 x .18 x .77 (921023)
25	07400034	1	Screw, Tapping Hex Washer Head Thread Rolling .25-20 x .50 (921023)
26	00386700	1	Pivot, Shift Rod
27	05500027	1	Bushing, Polyliner (921017, 018)
28	04318600	1	Grommet (921017, 018)
29	00184800	1	Mount, Chute Control (921017, 018)
30	04321800	1	Lever, Chute Control (921017, 018)
31	07500205	1	Control Handle (921017, 018)
32	06543500	2	Nut, Locking Top Flange .25-20 (921017, 018)
33	05500004	2	Bushing, Flange (921017, 018)
34	05946800	2	Bolt, Hex .25-20 x .75 (921017, 018)
35	08310900	1	Spring (921017, 018)
36	06712900	1	Hairpin #7 Clip .094 x 2.31 (921017, 018)
37	04322700	1	Bushing, Crank (921013, 022, 023, 031)
38	06900509	1	Cable, Remote Wheel (921013, 022)
39	06900421	1	Cable, Chute Lock (921017, 018)
40	06900510	1	Cable, Track (921023)
41	06100007	1	Screw, Machine, Oval Head .25-20 x 1.50 (921013, 022, 023)
42	06305200	1	Washer, Lock, Internal .25 (921013, 022, 023)

CHUTE AND AUGER

Model 921013, 017, 018, 022, 023, 031



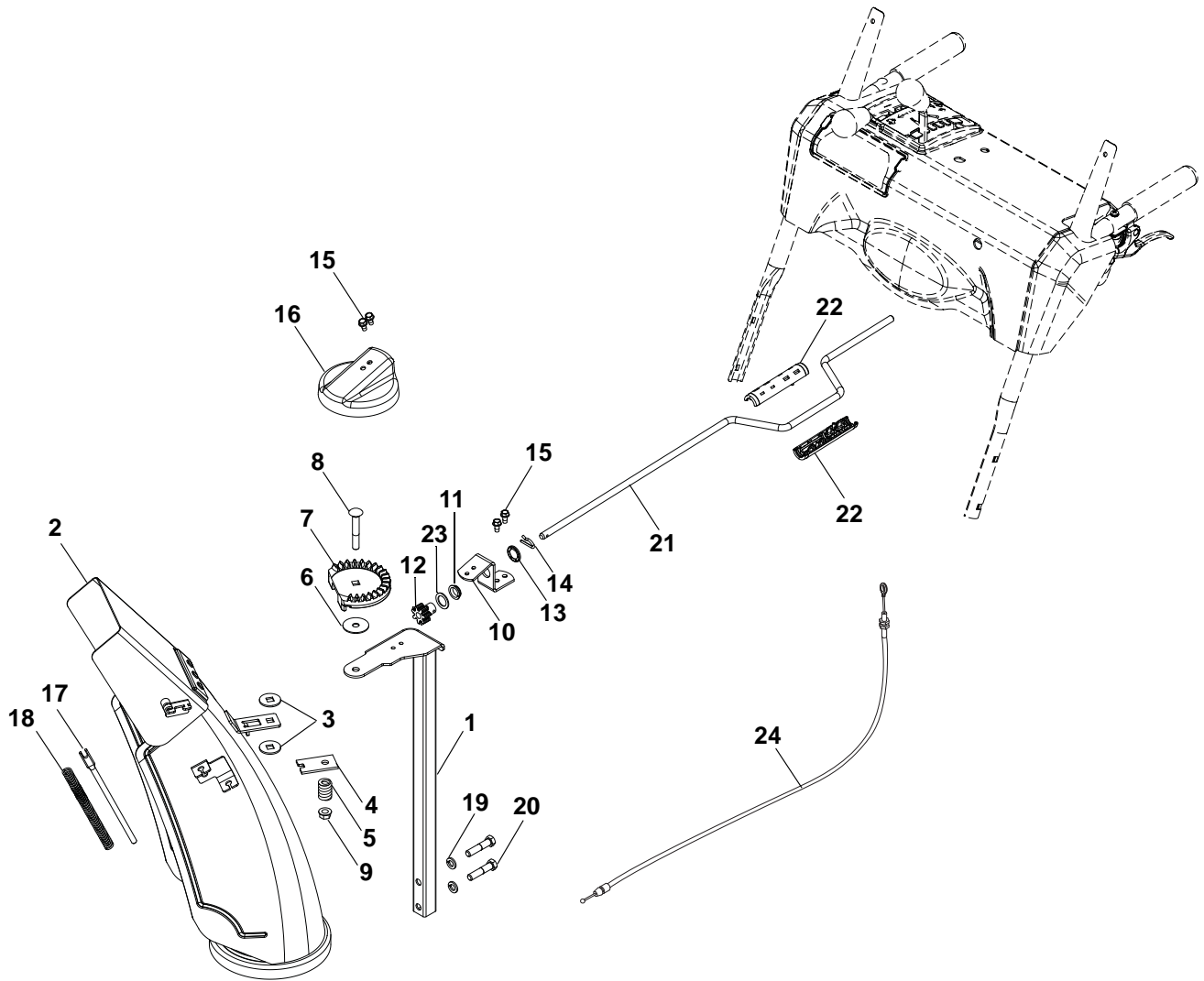
CHUTE AND AUGER

Model 921013, 017, 018, 022, 023, 031

Item	Part No.	Qty.	Description
1	04319151	1	Bracket, Gearcase Support, Left Hand
2	04319251	1	Bracket, Gearcase Support, Right Hand
3	06200118	3	Bolt, Round Head Square Short Neck .31-18 x .62
4	06543100	8	Nut, Locking Top Flange .31-18 (921017, 022, 023, 031)
	06543100	10	Nut, Locking Top Flange .31-18 (921013, 018)
5	06307200	2	Washer, Locking, External .326 x .599 x .031
6	05947200	2	Bolt, Hex .31-18 x .50
7	52101900	1	Housing, Blower with Decal, 30" (921013, 018)
	52103300	1	Housing, Blower with Decal, 28" (921022, 023)
	52101700	1	Housing, Blower with Decal, 24" (921017, 031)
8	04145959	1	Blade, Scraper, 28" (921022, 023)
	00661159	1	Blade, Scraper, 30" (921013, 018)
	00658559	1	Blade, Scraper, 24" (921017, 031)
9	02483859	2	Skid Shoe
10	06212000	4	Bolt, Round Head Square Short Neck .38-16 x 1.00
11	06435900	4	Washer, Flat Steel .438 x 1.00 x .083
12	06529600	4	Nut, Locking Center .38-16
13	00659200	2	Support, Rake Bushing
14	07400034	6	Screw, Tapping Hex Washer Head Thread Rolling .25-20 x .50
15	52103000	1	Rake, Left Hand with Zerk, 30" (921013, 018)
	52102600	1	Rake, Left Hand with Zerk, 24" (921017, 031)
	52103400	1	Rake, Left Hand with Zerk, 28" (921022, 023)
16	05500114	2	Bushing, Flange
17	52103100	1	Rake, Right Hand with Zerk, 30" (921013, 018)
	52102700	1	Rake, Right Hand with Zerk, 24" (921017, 031)
	52103500	1	Rake, Right Hand with Zerk, 28" (921022, 023)
18	07061300	2	Zerk, Fitting .25 x .125 Drive In
19	00428700	1	Bearing Flange
20	05409300	1	Bearing (921013, 017, 018, 022, 031)
	05400713	1	Bearing (921023)
21	01014200	1	Bearing Flange
22	06529700	3	Nut, Locking Center .25-20
23	00485551	1	Impeller
24	05803700	2	Pin, Roll .250 x 1.75
25	07001612	2	Nut, Threaded Insert .38-16
26	00268702	1	Pulley Hub
27	06307400	1	Washer, Locking .312 x .097
28	05947300	1	Bolt, Hex .31-24 x .75
29	00268700	1	Pulley, Attachment
30	07411500	3	Screw, Tapping Hex Washer Head Thread Rolling .31-18 x .50
31	06200209	5	Bolt, Round Flat Head Square Short Neck .31-18 x .62 (921017, 022, 023, 031)
	06200209	7	Bolt, Round Flat Head Square Short Neck .31-18 x .62 (921013, 018)
32	00170300	1	Mount, Snow Clean Out
33	00170200	1	Device, Snow Clean Out
34	06800028	4	Rivet, Pop -.187
35	00600100	1	Baffle
36	52100100	2	Shear Bolt Service Assembly
37	06529800	2	Nut, Locking Center .31-18 (Included in Item 36)
38	06436300	2	Washer, Flat Steel 1.010 x 1.505 x .062
39	05501109	1	Bushing, Sleeve
40	07400030	4	Screw, Tapping Hex Washer Head Thread Rolling .31-18 x .50

DISCHARGE CHUTE

Model 921013, 022, 023, 031



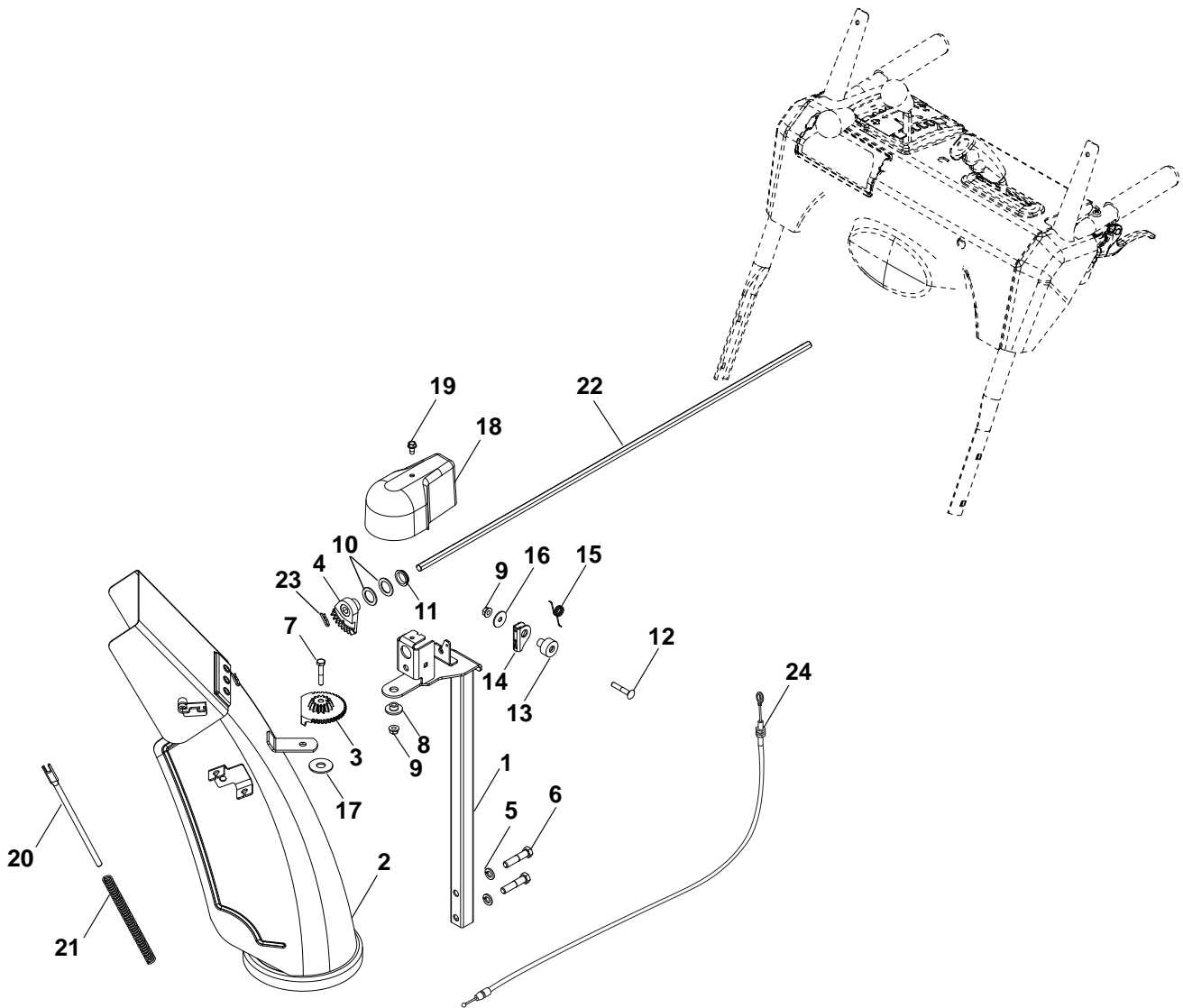
DISCHARGE CHUTE

Model 921013, 022, 023, 031

Item	Part No.	Qty.	Description
1	00658351	1	Pedestal, Chute
2	52609000	1	Chute, Discharge with Cap and Decal
3	01123800	2	Friction Washer
4	00398000	1	Plate, Friction
5	08320900	1	Spring
6	06400917	1	Washer, Flat Steel .406 x 1.25 x .10
7	03222900	1	Chute Gear
8	06224400	1	Bolt, Round Head Square Neck .38-16 x 2.50
9	06542000	1	Nut, Locking Top Flange .38-16
10	01972451	1	Bracket, Pinion Gear (Included in Item 12)
11	05500021	1	Bushing, Polyliner (Included in Item 12)
12	52000100	1	Pinion Gear Assembly (Includes Items 10, 11, 13 and 23)
13	03224300	1	Pushnut (Included in Item 12)
14	06714500	1	Pin, Spring Clip
15	07400034	4	Screw, Tapping Hex Washer Head Thread Rolling .25-20 x .50
16	03223000	1	Gear Cover
17	00389000	1	Rod, Deflector Cap
18	08300013	1	Spring
19	06308800	2	Washer, Locking .38 x .094
20	05958500	2	Bolt, Hex .38-16 x 1.75
21	00956500	1	Rod, Chute Crank
22	07500020	2	Knob, Crank
23	06400009	1	Washer, Thrust .625 x 1.00 x .03 (Included in Item 12)
24	06900406	1	Cable, Deflector

DISCHARGE CHUTE

Model 921017, 018



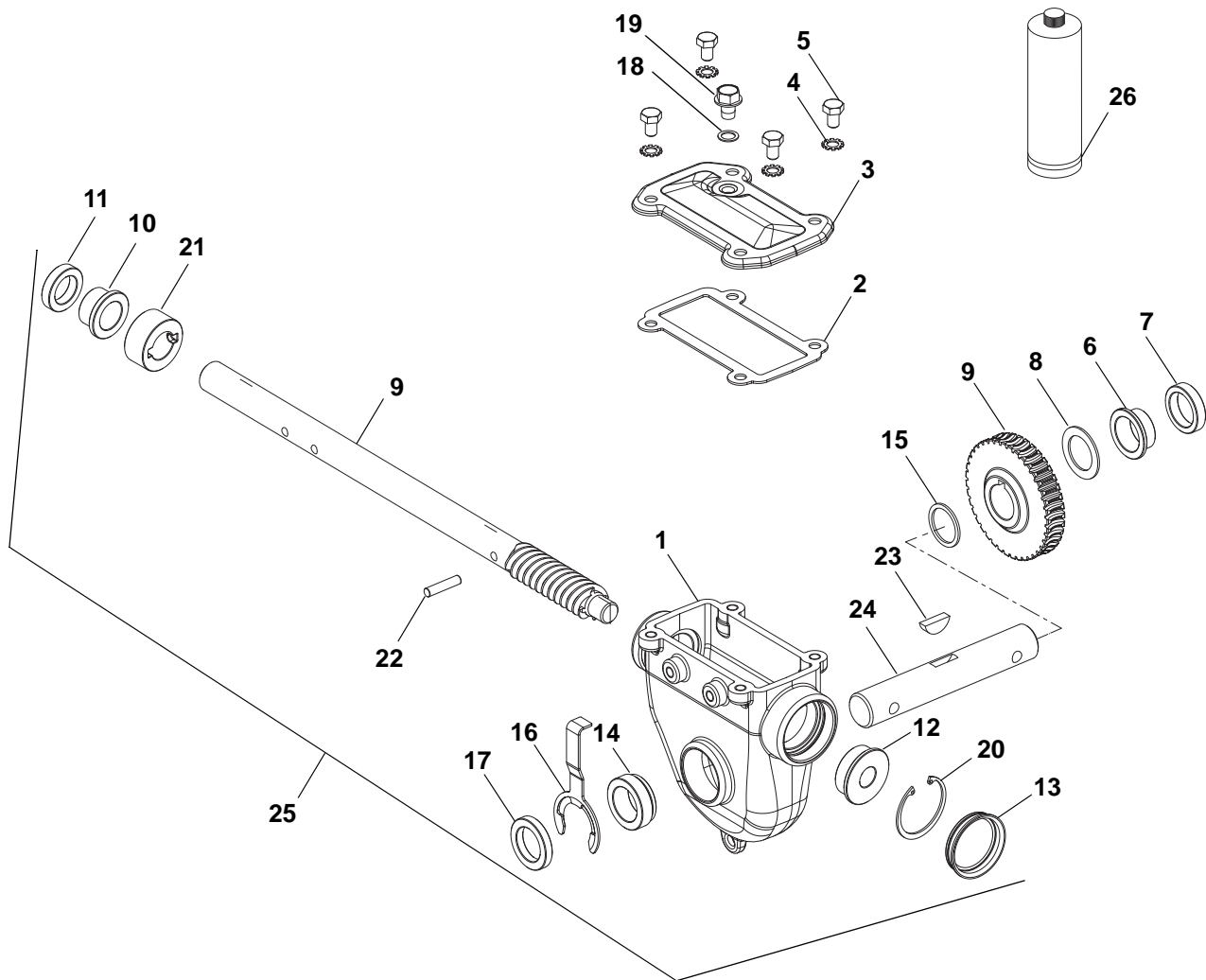
DISCHARGE CHUTE

Model 921017, 018

Item	Part No.	Qty.	Description
1	03897451	1	Pedestal, Chute
2	52602200	1	Chute, Discharge with Cap and Decal
3	03898700	1	Gear, Chute, Locking
4	00184300	1	Gear, Chute
5	06308800	2	Washer, Locking .38 x .094
6	05958500	2	Bolt, Hex .38-16 x 1.75
7	05952500	1	Bolt, Hex .25-20 x 1.50
8	05500920	1	Bushing, Flange
9	06543500	2	Nut, Locking Top Flange .25-20
10	06441400	2	Washer, Flat Steel .754 x 1.125 x .062
11	05500027	1	Bushing, Polyliner
12	06222300	1	Bolt, Round Head Square Neck .25-20 x 1.50
13	05500024	1	Bushing
14	00180900	1	Arm, Locking
15	08300014	1	Spring
16	06426600	1	Washer, Flat Steel .281 x 1.000 x .063
17	06400904	1	Washer, Flat Nylon .515 x 1.375 x .093
18	00261700	1	Cover, Gear
19	07400034	1	Screw, Tapping Hex Washer Head Thread Rolling .25-20 x .50
20	00389000	1	Rod, Deflector Cap
21	08300013	1	Spring
22	00389200	1	Rod, Chute Rotation
23	06944800	1	Spring Clip
24	06900406	1	Cable, Deflector

GEAR CASE – CAST IRON

Model 921013, 017, 018, 022, 023, 031



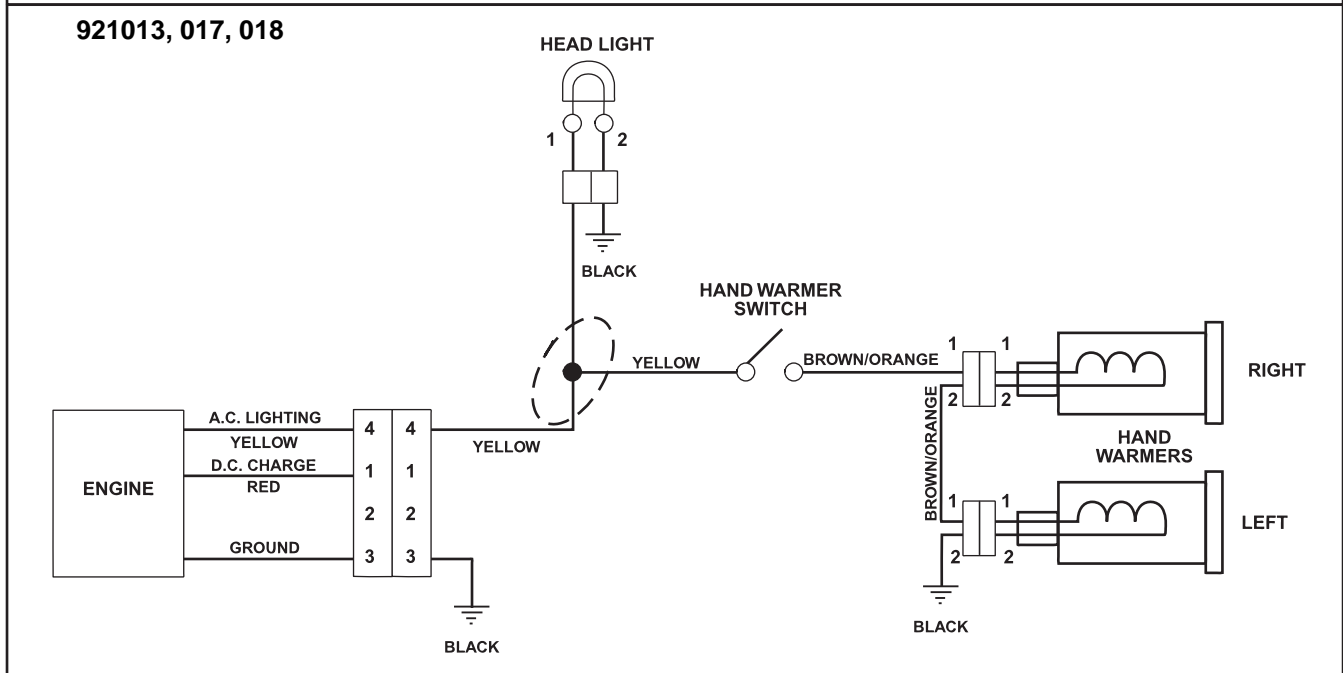
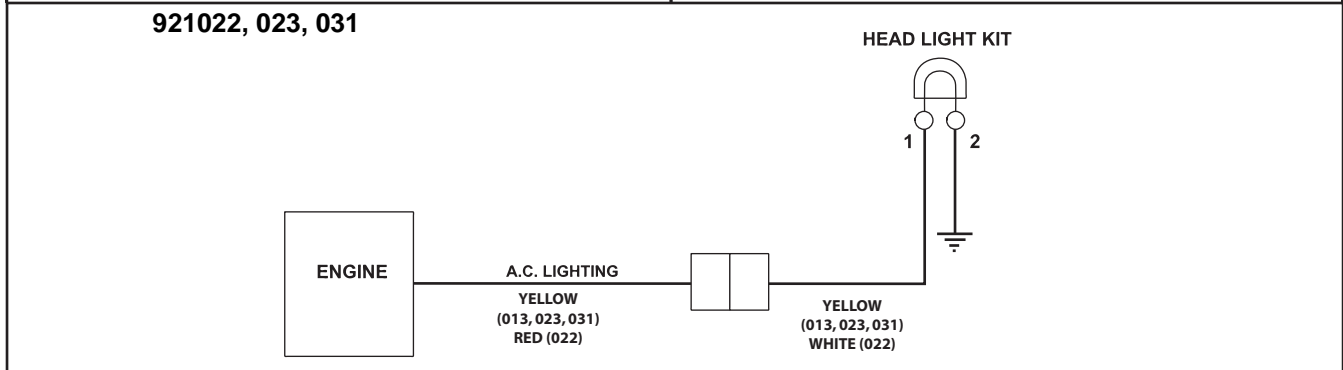
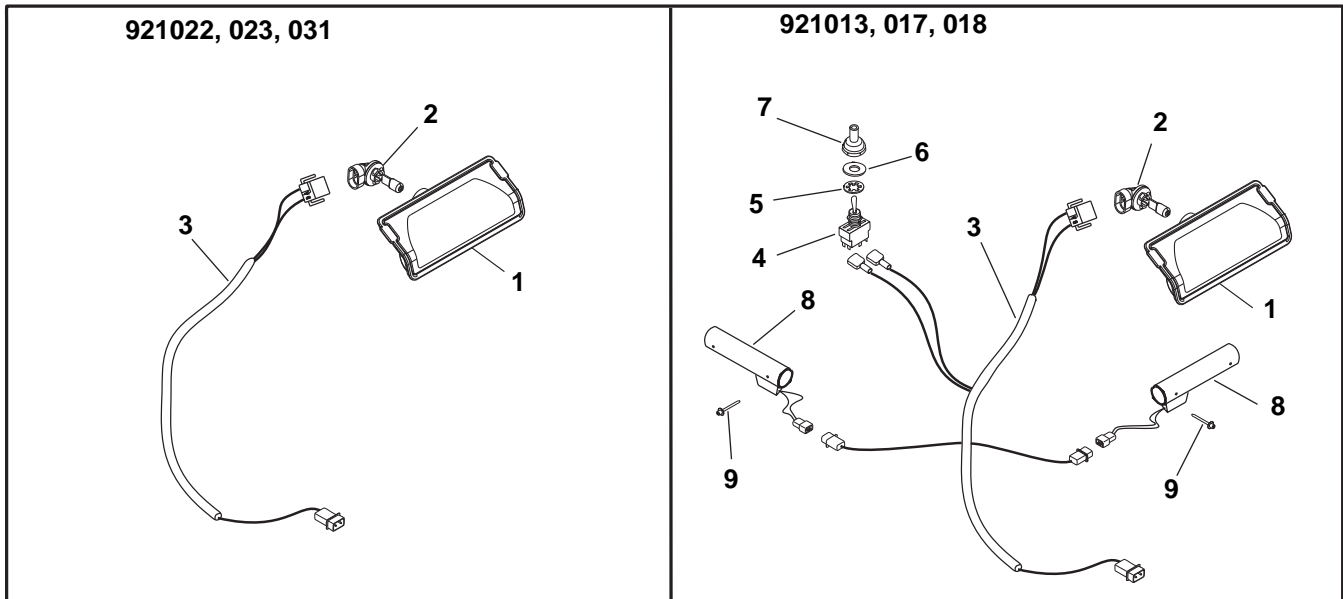
GEAR CASE – CAST IRON

Model 921013, 017, 018, 022, 023, 031

Item	Part No.	Qty.	Description
1	04276900	1	Gear Case
2	04282500	1	Gasket
3	04280351	1	Cover, Top
4	06307200	4	Washer, Locking External .326 x .599 x .031
5	05947200	4	Bolt, Hex .31-18 x .50
6	05501025	1	Bushing, Flange
7	05600503	1	Seal, Oil
8	06436300	1	Washer, Flat Steel 1.010 x 1.505 x .062
9	52104000	1	Worm Shaft and Worm Gear Set
10	05501024	1	Bushing, Flange
11	05600504	1	Seal, Oil
12	05501027	1	Bushing, Flange
13	04302900	1	Cover, Front
14	05501033	1	Bushing, Flange
15	06400332	1	Washer, Flat Steel 1.010 x 1.250 x .068
16	04323700	1	Bushing Retainer
17	05600502	1	Seal, Oil
18	06400920	1	Washer, Bonded Seal
19	07400110	1	Screw, Tapping Hex Washer Head Rolock .38-16 x .50
20	05702100	1	Ring, Retaining, Internal 1.750 x .062
21	04277100	1	Thrust Collar
22	05800208	1	Pin, Straight .250 x 1.12 6150
23	06608800	1	Key, Woodruff .25 x .875 Hardened
24	00485400	1	Shaft, Rake
25	52104100	1	Gear Case Assembly (Includes Items 1 – 24)
26	00068800	1	Gear Lube, 8 oz Bottle

ELECTRICAL AND WIRING DIAGRAM

Model 921013, 017, 018, 022, 023, 031



ELECTRICAL AND WIRING DIAGRAM

Model 921013, 017, 018, 022, 023, 031

Item	Part No.	Qty.	Description
1	04307600	1	Headlight Assembly (Includes Item 2)
2	00432600	1	Bulb, Light
3	04329600	1	Wire Harness, Light and Heated Hand Grips (921013, 017, 018)
	04329500	1	Wire Harness, Light (921022, 023, 031)
4	02485700	1	Switch, On/Off Heated Hand Grips (921013, 017, 018)
5	06310900	1	Washer, Locking Internal .563 x .040 (921013, 017, 018)
6	06403800	1	Washer, Flat Steel .505 x .875 x .024 (921013, 017, 018)
7	09207600	1	Boot, Switch (Optional) (921013, 017, 018)
8	07500015	2	Heated Hand Grip (921013, 017, 018)
9	06800038	4	Rivet, Pop #43 .125 x .313 (921013, 017, 018)



THE KING OF SNOW®

655 West Ryan Street
Brillion, WI 54110
920-756-4688
Fax 920-756-2407
www.ariens.com

An *Ariens* Company Brand