

---

# Sno-Tek™

By Ariens

---

# Sno-Tek™

## Parts Manual

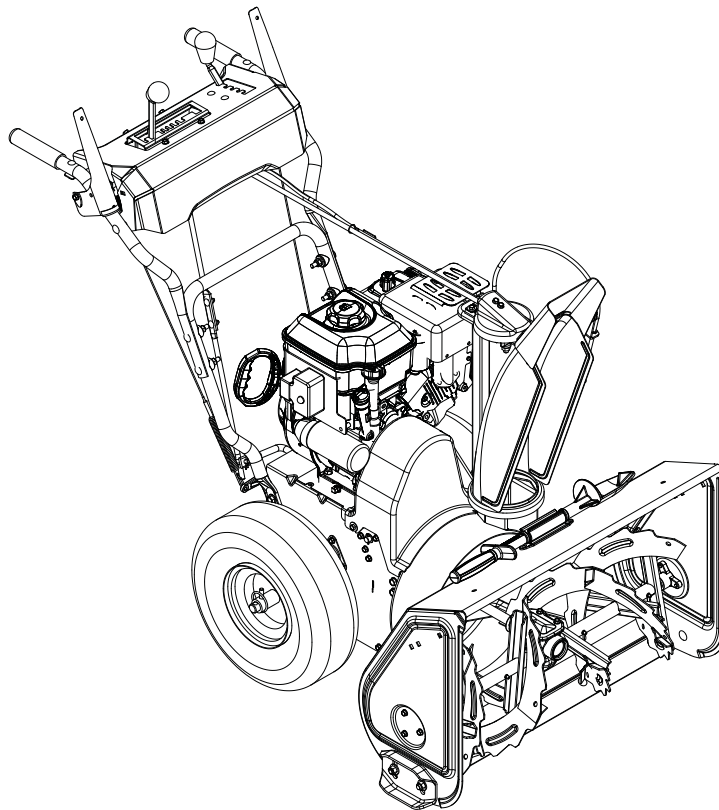
---

### Models

920402 – Sno-Tek 24 (Serial No. 035000 and up)

920403 – Sno-Tek 28 (Serial No. 035000 and up)

920404 – Sno-Tek 24 (Serial No. 035000 and up)



Gasoline containing up to 10% ethanol (E10) or up to 10% MTBE (methyl tertiary butyl ether) is acceptable for use in this machine. The use of any gasoline exceeding 10% ethanol (E10) or 10% MTBE will void the product warranty.

Il est possible d'utiliser de l'essence contenant jusqu'à 10% d'éthanol (E10) ou 10% de MTBE (éther méthyl-tertiobutylique) sur cette machine. L'utilisation d'une essence contenant plus de 10% d'éthanol (E10) ou de 10% de MTBE annulent la garantie.

En esta máquina puede utilizarse gasolina con hasta un 10% de etanol (E10) o hasta un 10% de MTBE (éter de metil butil terciario). El uso de cualquier otro tipo de gasolina con un porcentaje superior al 10% de etanol (E10) o al 10% de MTBE invalidará la garantía del producto.

## THE MANUAL

---

Before you operate your unit, carefully and completely read manuals supplied with the unit. The contents will provide you with an understanding of safety instructions and controls during normal operation and maintenance.

For your safety and the safety of others always read, understand, and follow all DANGER, WARNING, and CAUTION messages found in manuals and on safety decals.

Hardware descriptions are given in decimals.

| Decimals to Fractions |      |      |       |
|-----------------------|------|------|-------|
| .063                  | 1/16 | .563 | 9/16  |
| .125                  | 1/8  | .625 | 5/8   |
| .188                  | 3/16 | .688 | 11/16 |
| .250                  | 1/4  | .750 | 3/4   |
| .313                  | 5/16 | .813 | 13/16 |
| .375                  | 3/8  | .875 | 7/8   |
| .438                  | 7/16 | .938 | 15/16 |
| .500                  | 1/2  | 1.00 | 1     |

## SERVICE AND REPLACEMENT PARTS

---

When ordering replacement parts or making service inquiries, know the Model and Serial numbers of your unit and engine.

Numbers are located on the product registration card in the unit literature package. They are printed on a serial number label, located on the frame of your unit.

- Record Unit Model and Serial numbers here:

- Record Engine Model and Serial numbers here:

## UNAUTHORIZED REPLACEMENT PARTS

Use only Sno-Tek replacement parts. The replacement of any part on this vehicle with anything other than a Sno-Tek authorized replacement part may adversely affect the performance, durability, or safety of this unit and may void the warranty. Ariens disclaims liability for any claims or damages, whether warranty, property damage, personal injury or death arising out of the use of unauthorized replacement parts.

## PRODUCT REGISTRATION

---

The Sno-Tek dealer must register the product at the time of purchase. Registering the product will help the company process warranty claims or contact you with the latest service information. All claims meeting requirements during the limited warranty period will be honored, whether or not the product registration card is returned. Keep a proof of purchase if you do not register your unit.

**Customer Note:** If Dealer does not register your product, please fill out, sign and return the product registration card to Ariens or go to [www.ariens.com](http://www.ariens.com).

## YOUR SATISFACTION IS IMPORTANT

---

**Questions? Please follow these helpful steps:**

1. Refer to the manuals supplied with your unit.  
They will guide you through safe and proper operation and maintenance.  
They contain specifications on your unit.  
If your questions are not answered in these manuals, go to step number two.
2. Contact Your Dealer.  
Our dealers will be happy to supply any service or advice required to keep your unit operating at peak efficiency.  
A factory trained staff is available to support your equipment needs. They stock genuine Ariens parts and lubricants manufactured with the same precision and skill as the original.  
If your questions are not resolved by the support staff, ask for the manager or owner.  
When contacting your Dealer supply your model and serial numbers.

## TO SPEED PARTS ORDERING:

1. Know the model and serial numbers of your unit.
2. Know the part number required.
3. Know the quantity required.
4. Know the part description.

# MODELS

---

## Domestic

### **Model 920402 (Sno-Tek 24)**

24" Snow Thrower, Electric Start

Serial No. 035000 and up

### **Model 920403 (Sno-Tek 28)**

28" Snow Thrower, Electric Start

Serial No. 035000 and up

### **Model 920404 (Sno-Tek 24)**

24" Snow Thrower, Electric Start

Serial No. 035000 and up

# TABLE OF CONTENTS

---

## DECALS

---

|              |   |
|--------------|---|
| Decals ..... | 4 |
|--------------|---|

## ENGINE AND DRIVE

---

|                              |    |
|------------------------------|----|
| Engine and Belt Drive .....  | 6  |
| Friction Drive .....         | 8  |
| Gear Case and Impeller ..... | 10 |

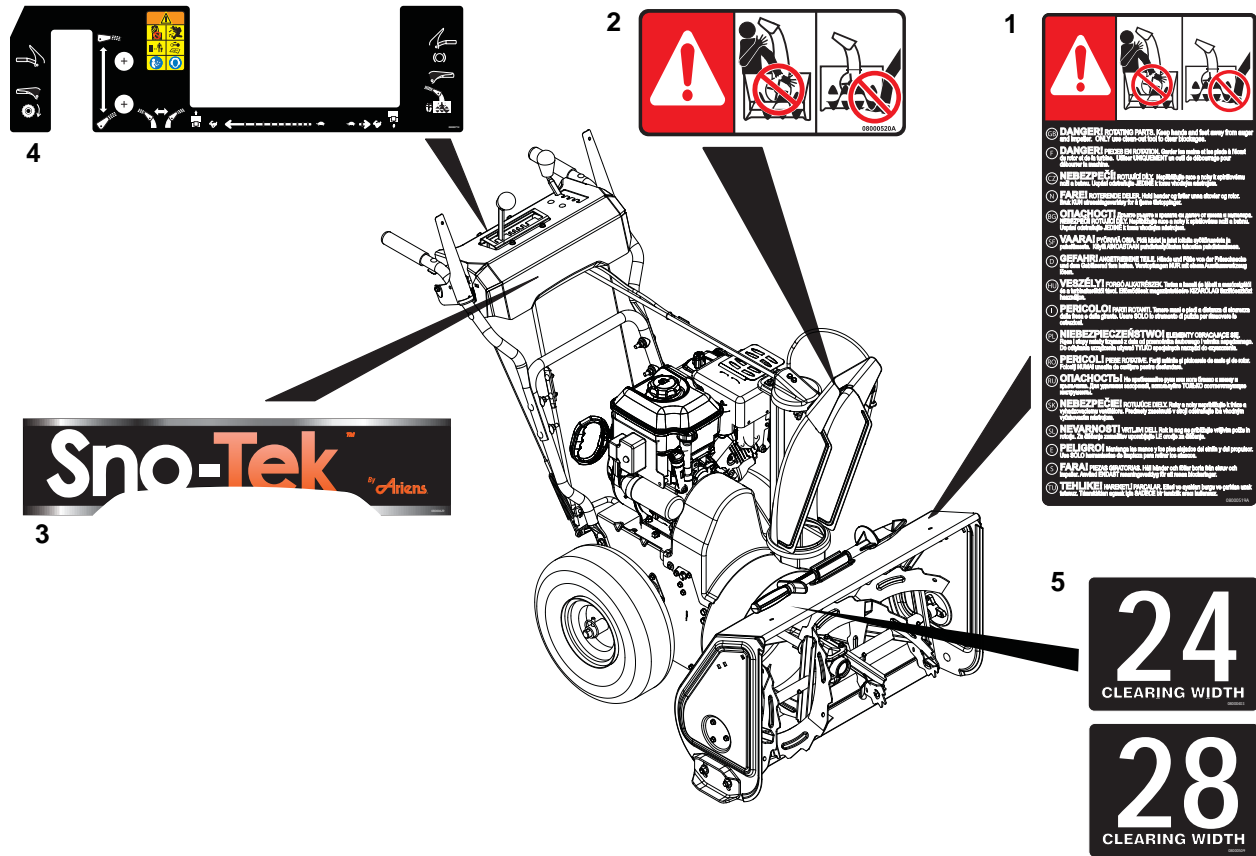
## FRAME AND HOUSING

---

|                               |    |
|-------------------------------|----|
| Handlebars and Controls ..... | 12 |
| Auger and Chute .....         | 14 |
| Discharge Chute Crank .....   | 16 |

# DECALS

Model 920402, 403, 404



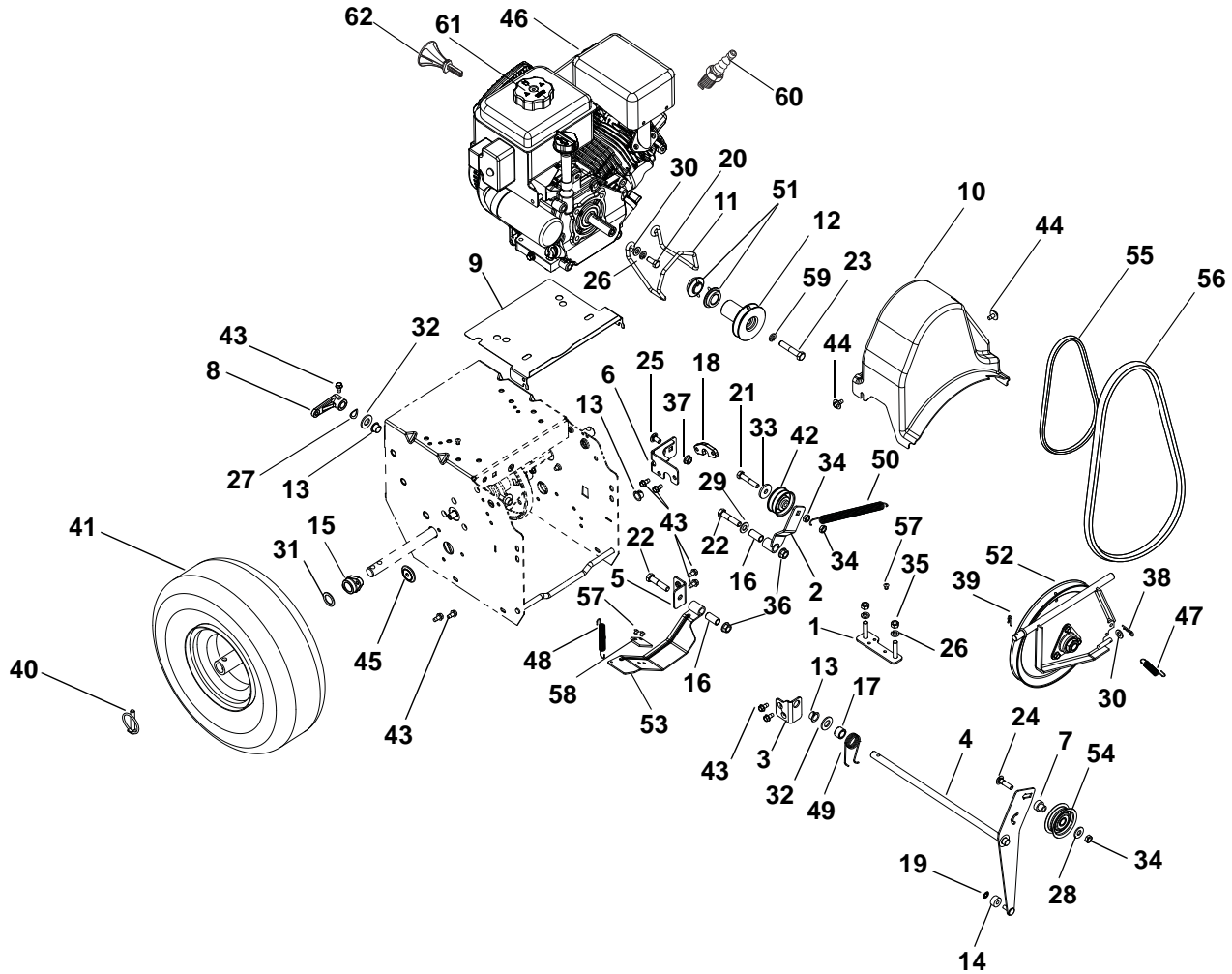
| Item | Part No. | Qty. | Description                      |
|------|----------|------|----------------------------------|
| 1    | 08000519 | 1    | Decal, Danger, Rotating Parts    |
| 2    | 08000520 | 1    | Decal, Danger                    |
| 3    | 08000629 | 1    | Decal, Dash                      |
| 4    | 08000712 | 1    | Decal, Control (920402, 403)     |
|      | 08000711 | 1    | Decal, Control (920404)          |
| 5    | 08000403 | 1    | Decal, Housing, 24 (920402, 404) |
|      | 08000509 | 1    | Decal, Housing, 28 (920403)      |

# NOTES

---

# ENGINE AND BELT DRIVE

Model 920402, 403, 404



| Item | Part No. | Qty. | Description                          |
|------|----------|------|--------------------------------------|
| 1    | 00188400 | 2    | Strap, Engine Bolt                   |
| 2    | 00493600 | 1    | Arm, Traction Idler                  |
| 3    | 00495051 | 1    | Bracket, Mount, Idler Arm            |
| 4    | 00495167 | 1    | Idler Arm                            |
| 5    | 00495251 | 1    | Bracket, Brake Mount                 |
| 6    | 00657051 | 1    | Frame Bracket                        |
| 7    | 01213100 | 1    | Spacer                               |
| 8    | 01987100 | 1    | Arm, Clutch                          |
| 9    | 03880851 | 1    | Baffle                               |
| 10   | 03881000 | 1    | Cover, Belt                          |
| 11   | 03881600 | 1    | Finger, Belt (920402, 403)           |
|      | 03731800 | 1    | Finger, Belt (920404)                |
| 12   | 04209700 | 1    | Sheave, Auger (920402, 403)          |
|      | 00493400 | 1    | Sheave, Auger (920404)               |
| 13   | 05500026 | 3    | Bushing, Polyliner                   |
| 14   | 05500037 | 1    | Bushing, Sleeve                      |
| 15   | 05500101 | 2    | Bushing, Axle                        |
| 16   | 05500106 | 2    | Bushing, Sleeve                      |
| 17   | 05500107 | 1    | Bushing, Sleeve                      |
| 18   | 05500113 | 1    | Spacer                               |
| 19   | 05717600 | 1    | Retaining Ring, External .250 x .010 |

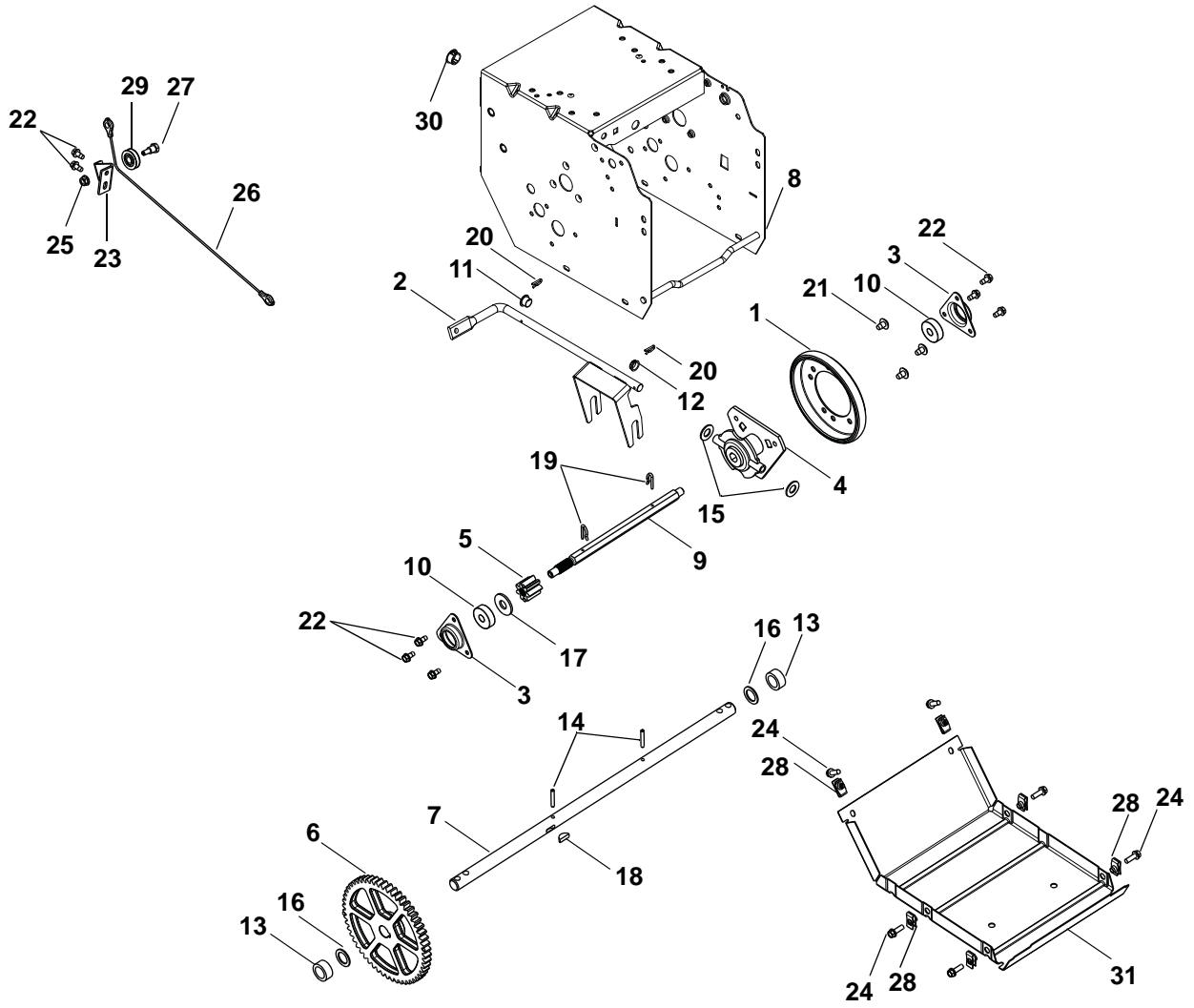
# ENGINE AND BELT DRIVE

Model 920402, 403, 404

| Item | Part No. | Qty. | Description  |
|------|----------|------|--|
| 20   | 05947300 | 2    | Bolt, Hex .31-24 x .75   |
| 21   | 05957400 | 1    | Bolt, Hex .31-18 x 1.75  |
| 22   | 05958500 | 2    | Bolt, Hex .38-16 x 1.75  |
| 23   | 05958600 | 1    | Bolt, Hex .38-24 x 2.0   |
| 24   | 06200124 | 1    | Bolt, Round Head Square Short Neck .31-18 x 1.13                 |
| 25   | 06212200 | 1    | Bolt, Round Head Square Short Neck .31-18 x .62                  |
| 26   | 06307400 | 6    | Washer, Lock .312 x .097   |
| 27   | 06400005 | 1    | Washer, Wave   |
| 28   | 06435700 | 1    | Washer, Flat Steel .38 x .875 x .083                             |
| 29   | 06436200 | 1    | Washer, Flat Steel .406 x .812 x .065                            |
| 30   | 06437200 | 3    | Washer, Flat Steel .344 x .688 x .065                            |
| 31   | 06441400 | 2    | Washer, Flat Steel .754 x 1.125 x .062 (920402, 404)             |
|      | 05500917 | 2    | Bushing, Sleeve (920403)   |
| 32   | 06441900 | 2    | Washer, Flat Steel .531 x 1.06 x .095                            |
| 33   | 06446300 | 1    | Washer, Flat Steel .344 x 1.125 x .135                           |
| 34   | 06500011 | 3    | Nut, Locking Center Jam .31-18                                   |
| 35   | 06529200 | 4    | Nut, Hex .31-18  |
| 36   | 06542000 | 2    | Nut, Locking Top Flange .38-16                                   |
| 37   | 06543100 | 1    | Nut, Locking Top Flange .31-18                                   |
| 38   | 06713500 | 1    | Pin, Hair, Internal .08 x .18 x 1.18                             |
| 39   | 06944800 | 1    | Clip, Spring   |
| 40   | 07053700 | 2    | Pin, Lock  |
| 41   | 07100812 | 2    | Tire/Wheel, 15 x 5.00-6 K398A (920403)                           |
|      | 07100815 | 1    | Tire, 15 x 5.00-6 K398A (920403)                                 |
|      | 07100811 | 2    | Tire/Wheel, 13 x 4.10-6 K398A (920402, 404)                      |
|      | 07100814 | 1    | Tire, 13 x 4.10-6 K398A (920402, 404)                            |
| 42   | 07300525 | 1    | Idler  |
| 43   | 07400034 | 11   | Screw, Tapping Hex Washer Head Thread Rolling .25-20 x .50       |
| 44   | 07400104 | 2    | Screw, Tapping Large Hex Washer Head Thread Rolling .25-20 x .50 |
| 45   | 07500102 | 2    | Plug, Hole   |
| 46   | 08200704 | 1    | Engine, LCT Stormforce 208 120V (920402, 403)                    |
|      | 08200711 | 1    | Engine, LCT Stormforce 136 120V (920404)                         |
| 47   | 08300036 | 1    | Spring   |
| 48   | 08300104 | 1    | Spring   |
| 49   | 08300326 | 1    | Spring   |
| 50   | 08300528 | 1    | Spring   |
| 51   | 09735700 | 2    | Traction Sheave Half   |
| 52   | 52100200 | 1    | Plate, Swing Assembly  |
| 53   | 52000500 | 1    | Arm, Brake w/Pad (Includes Items 57 and 58)                      |
| 54   | 02457400 | 1    | Idler  |
| 55   | 07200603 | 1    | V-Belt   |
| 56   | 07200513 | 1    | V-Belt (920402, 403)   |
|      | 07238500 | 1    | V-Belt (920404)  |
| 57   | 06800028 | 4    | Rivet, Pop-.187 (2 Included with Item 53)                        |
| 58   | 00180500 | 1    | Brake Pad (Included with Item 53)                                |
| 59   | 06308800 | 1    | Washer, Lock .38 x .094  |
| 60   | 21547400 | 1    | Spark Plug   |
| 61   | 07500112 | 1    | Fuel Cap   |
| 62   | 07500111 | 1    | Key, Push/Pull – LCT   |

# FRICION DRIVE

Model 920402, 403, 404





# FRICION DRIVE

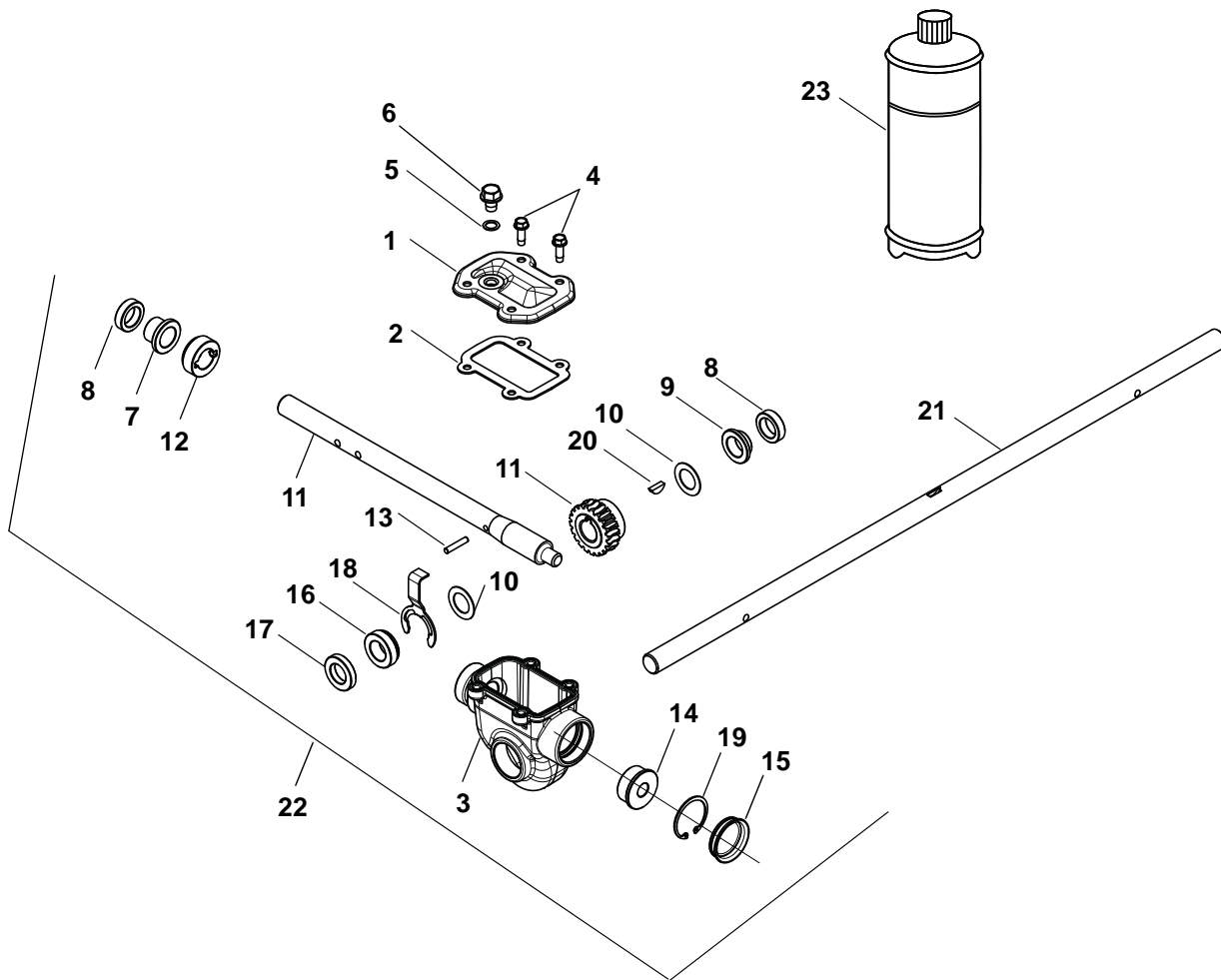
---

Model 920402, 403, 404

| Item | Part No. | Qty. | Description  |
|------|----------|------|--|
| 1    | 00170800 | 1    | Friction Disc  |
| 2    | 00656951 | 1    | Fork, Shift  |
| 3    | 00383000 | 2    | Flange, Bearing  |
| 4    | 00383100 | 1    | Carrier, Friction Disc                                     |
| 5    | 00493900 | 1    | Gear   |
| 6    | 00657800 | 1    | Gear   |
| 7    | 03881800 | 1    | Shaft, Axle (920403)                                       |
|      | 00494200 | 1    | Shaft, Axle (920402, 404)                                  |
| 8    | 03884251 | 1    | Frame  |
| 9    | 04149500 | 1    | Shaft, Hex   |
| 10   | 05435200 | 2    | Bearing  |
| 11   | 05500026 | 1    | Bushing, Polyliner   |
| 12   | 05500028 | 1    | Bushing, Polyliner   |
| 13   | 05500140 | 2    | Bushing, Sleeve  |
| 14   | 05800300 | 2    | Pin, Roll .188 x 1.25                                      |
| 15   | 06439200 | 2    | Washer, Flat Steel .505 x 1.00 x .062                      |
| 16   | 06441400 | 2    | Washer, Flat Steel .754 x 1.125 x .062                     |
| 17   | 06442000 | 1    | Washer, Flat Steel .563 x 1.38 x .109                      |
| 18   | 06601200 | 1    | Key, Woodruff .25 x .750 x .313 SAE91                      |
| 19   | 06714500 | 2    | Pin, Spring Clip   |
| 20   | 06944800 | 2    | Clip, Spring   |
| 21   | 07400009 | 3    | Screw, Tapping Serrated Round Head Torx .31-18 x .50       |
| 22   | 07400034 | 8    | Screw, Tapping Hex Washer Head Thread Rolling .25-20 x .50 |
| 23   | 00373051 | 1    | Bracket, Cable Pulley                                      |
| 24   | 05900019 | 6    | Bolt, Hex Washer Head .25-20 x .75                         |
| 25   | 06543500 | 1    | Nut, Locking Top Flange .25-20                             |
| 26   | 06900504 | 1    | Cable  |
| 27   | 07000021 | 1    | Bolt, Shoulder   |
| 28   | 07009000 | 6    | Nut, Retainer .25-20 x .56                                 |
| 29   | 07300012 | 1    | Pulley, Cable  |
| 30   | 07500023 | 1    | Hole Plug  |
| 31   | 00492351 | 1    | Bottom Cover   |

# GEAR CASE AND IMPELLER

Model 920402, 403, 404



# GEAR CASE AND IMPELLER

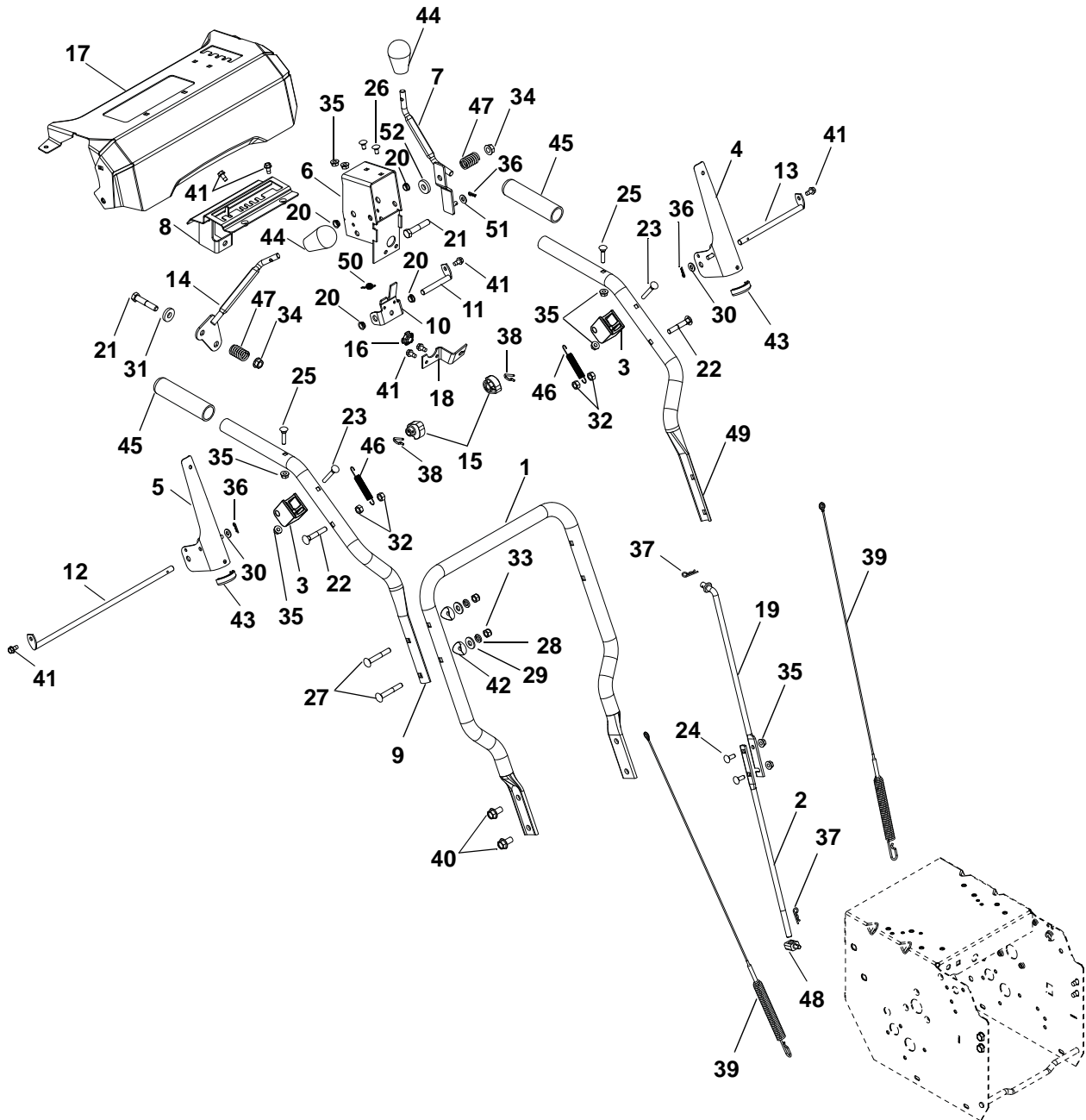
---

Model 920402, 403, 404

| Item | Part No. | Qty. | Description  |
|------|----------|------|--|
| 1    | 04280251 | 1    | Cover, Top   |
| 2    | 04282400 | 1    | Gasket   |
| 3    | 04304600 | 1    | Gearcase   |
| 4    | 07414200 | 4    | Screw, Tapping Hex Washer Head Thread Rolling .25-20 x .75   |
| 5    | 06400920 | 1    | Washer, Bonded Seal  |
| 6    | 07412900 | 1    | Screw, Tapping Hex Washer Head Rolok .38-16 x .50            |
| 7    | 05501020 | 1    | Bushing, Flange  |
| 8    | 05600501 | 2    | Seal, Oil  |
| 9    | 05501106 | 1    | Bushing, Flange  |
| 10   | 06400912 | 2    | Washer, Flat Steel .760 x 1.225 x .032                       |
| 11   | 52003400 | 1    | Worm Shaft and Worm Gear Set                                 |
| 12   | 04277000 | 1    | Thrust Collar  |
| 13   | 05800207 | 1    | Pin, Straight .188 x 1.00 6150                               |
| 14   | 05501108 | 1    | Bushing, Flange  |
| 15   | 04302800 | 1    | Cover, Front   |
| 16   | 05501107 | 1    | Bushing, Flange  |
| 17   | 05600440 | 1    | Seal, Oil  |
| 18   | 04323600 | 1    | Bushing Retainer   |
| 19   | 05700212 | 1    | Ring, Retaining, Internal 1.500 x .050                       |
| 20   | 06609300 | 1    | Key, Woodruff .19 x .63 Hardened #61                         |
| 21   | 04143400 | 1    | Shaft, Rake, 28" (920403)                                    |
|      | 00263000 | 1    | Shaft, Rake, 24" (920402, 404)                               |
| 22   | 52003600 | 1    | Gear Case Assembly 24" (Includes Items 1 – 21) (920402, 404) |
|      | 52004000 | 1    | Gear Case Assembly 28" (Includes Items 1 – 21) (920403)      |
| 23   | 00068800 | 1    | Gear Lube, 8 oz Bottle                                       |

# HANDLEBARS AND CONTROLS

Model 920402, 403, 404



| Item | Part No. | Qty. | Description                    |
|------|----------|------|--------------------------------|
| 1    | 00597451 | 1    | Handlebar, Lower               |
| 2    | 00656667 | 1    | Rod, Shift, Lower              |
| 3    | 04310100 | 2    | Clutch Paddle Block            |
| 4    | 04310451 | 1    | Clutch Handle, Left Hand       |
| 5    | 04310551 | 1    | Clutch Handle, Right Hand      |
| 6    | 04316651 | 1    | Bracket Interlock              |
| 7    | 04317300 | 1    | Lever, Deflector (920402, 403) |
| 8    | 04317751 | 1    | Detent Plate                   |
| 9    | 04318351 | 1    | Handlebar, Upper, Right Hand   |
| 10   | 04320400 | 1    | Interlock Arm                  |

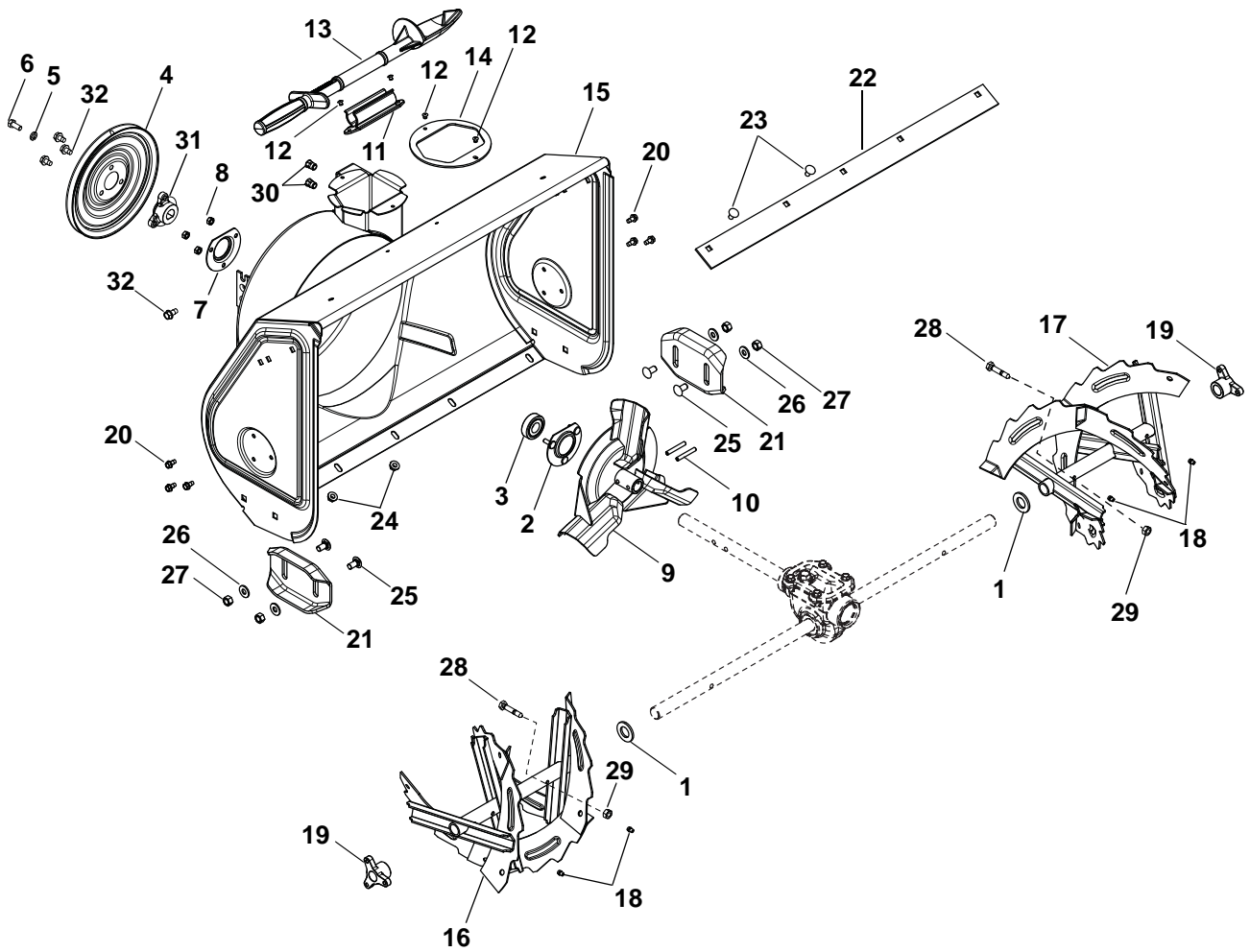
# HANDLEBARS AND CONTROLS

Model 920402, 403, 404

| Item | Part No. | Qty. | Description  |
|------|----------|------|--|
| 11   | 04320500 | 1    | Rod, Pivot   |
| 12   | 04321500 | 1    | Rod, Paddle Mount, Long  |
| 13   | 04321600 | 1    | Rod, Paddle Mount, Short   |
| 14   | 04321700 | 1    | Lever, Shift   |
| 15   | 04322100 | 2    | Cam, Interlock   |
| 16   | 04322700 | 1    | Crank Bushing  |
| 17   | 52003700 | 1    | Control Panel with Decal (920404)  |
|      | 52003900 | 1    | Control Panel with Decal (920402, 403)                                   |
| 18   | 04333151 | 1    | Anchor, Deflector Cable (920402, 403)                                    |
| 19   | 04334967 | 1    | Rod, Shift, Upper  |
| 20   | 05500020 | 4    | Bushing, Polyliner   |
| 21   | 05963300 | 2    | Bolt, Hex .38-16 x 2.00 (920402, 403)                                    |
|      | 05963300 | 1    | Bolt, Hex .38-16 x 2.00 (920404)   |
| 22   | 06200207 | 2    | Bolt, Round Head Extra Long Square Neck .31-18 x 2.00                    |
| 23   | 06209300 | 2    | Bolt, Round Head Extra Long Square Neck .25-20 x 2.00                    |
| 24   | 06219900 | 2    | Bolt, Round Head Square Neck .25-20 x .75                                |
| 25   | 06220100 | 2    | Bolt, Round Head Extra Long Square Neck .25-20 x 1.25                    |
| 26   | 06220600 | 2    | Bolt, Round Head Square Neck .25-20 x .50                                |
| 27   | 06221600 | 4    | Bolt, Round Head Square Neck .31-18 x 2.25                               |
| 28   | 06307400 | 4    | Washer, Lock .312 x .097   |
| 29   | 06435700 | 4    | Washer, Flat Steel .38 x .875 x .083                                     |
| 30   | 06437300 | 2    | Washer, Flat Steel .281 x .62 x .065                                     |
| 31   | 06444000 | 1    | Washer, Flat Steel .406 x 1.00 x .188                                    |
| 32   | 06529800 | 4    | Nut, Locking Center .31-18   |
| 33   | 06530200 | 4    | Nut, Locking Nylon .31-18  |
| 34   | 06542000 | 2    | Nut, Locking Top Flange .38-16 (920402, 403)                             |
|      | 06542000 | 1    | Nut, Locking Top Flange .38-16 (920404)                                  |
| 35   | 06543500 | 8    | Nut, Locking Top Flange .25-20   |
| 36   | 06701900 | 3    | Pin, Hair, Internal .06 x .18 x .77 (920402, 403)                        |
|      | 06701900 | 2    | Pin, Hair, Internal .06 x .18 x .77 (920404)                             |
| 37   | 06713500 | 2    | Pin, Hair, Internal .08 x .18 x 1.18                                     |
| 38   | 06714500 | 2    | Pin, Spring Clip   |
| 39   | 06900438 | 2    | Cable, Control   |
| 40   | 07028500 | 4    | Bolt, Serrated Hex Flange Washer Head .38-16 x .75                       |
| 41   | 07400034 | 9    | Screw, Tapping Hex Washer Head Thread Rolling .25-20 x .50 (920402, 403) |
|      | 07400034 | 7    | Screw, Tapping Hex Washer Head Thread Rolling .25-20 x .50 (920404)      |
| 42   | 07500005 | 4    | Spacer, Handlebar  |
| 43   | 07500103 | 2    | Edging, Clutch Handle  |
| 44   | 07500208 | 2    | Knob (920402, 403)   |
|      | 07500208 | 1    | Knob (920404)  |
| 45   | 07518700 | 2    | Handle Grip  |
| 46   | 08300527 | 2    | Spring   |
| 47   | 08335700 | 2    | Spring (920402, 403)   |
|      | 08335700 | 1    | Spring (920404)  |
| 48   | 00386700 | 1    | Pivot, Shift Rod   |
| 49   | 04318451 | 1    | Handlebar, Upper, Left Hand  |
| 50   | 08337000 | 1    | Spring   |
| 51   | 05501012 | 1    | Bushing, Sleeve (920402, 403)  |
| 52   | 06439300 | 1    | Washer, Flat Steel .380 x 1.50 x .062 (920402, 403)                      |

# AUGER AND CHUTE

Model 920402, 403, 404



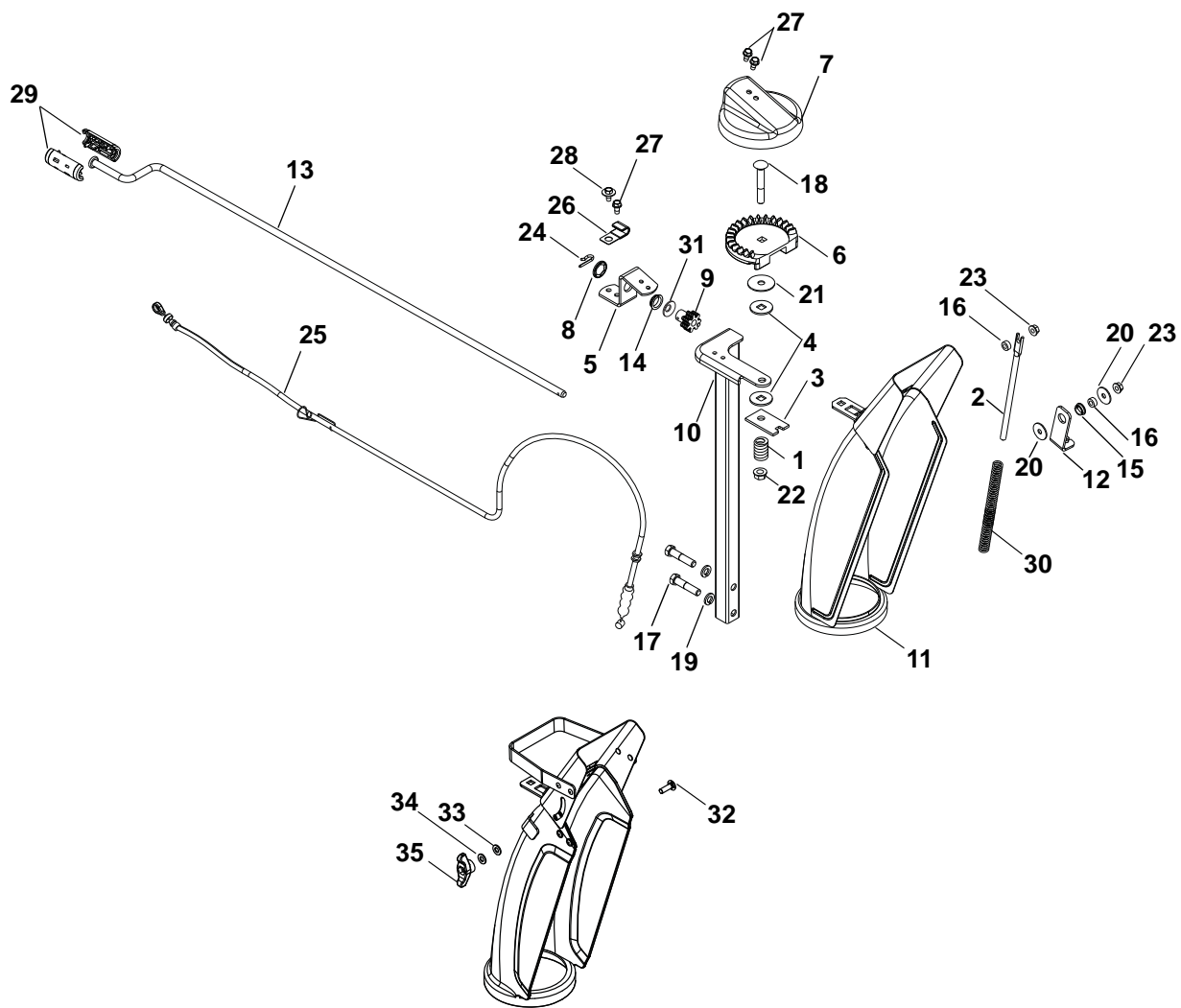
# AUGER AND CHUTE

Model 920402, 403, 404

| Item | Part No. | Qty. | Description  |
|------|----------|------|--|
| 1    | 06439000 | 2    | Washer, Flat Steel .812 x 1.50 x .135                            |
| 2    | 00428700 | 1    | Bearing Flange   |
| 3    | 05406300 | 1    | Bearing  |
| 4    | 00268900 | 1    | Pulley, Attachment   |
| 5    | 06307400 | 1    | Washer, Lock .312 x .097   |
| 6    | 05947300 | 1    | Bolt, Hex .31-24 x .75   |
| 7    | 01014200 | 1    | Bearing Flange   |
| 8    | 06529700 | 3    | Nut, Locking Center .25-20                                       |
| 9    | 03835551 | 1    | Impeller   |
| 10   | 05803700 | 2    | Pin, Roll .250 x 1.75  |
| 11   | 00170300 | 1    | Mount, Snow Clean Out  |
| 12   | 06800028 | 4    | Rivet, Pop - .187 (920402, 403)                                  |
|      | 06800028 | 2    | Rivet, Pop - .187 (920404)                                       |
| 13   | 00170200 | 1    | Device, Snow Clean Out   |
| 14   | 03889400 | 1    | Baffle, Discharge Neck (920402, 403)                             |
| 15   | 52002100 | 1    | Housing, 24" with Decal (920402, 404)                            |
|      | 52002400 | 1    | Housing, 28" with Decal (920403)                                 |
| 16   | 53213100 | 1    | Rake, Right Hand, 24" with Zerk (Includes Item 18) (920402, 404) |
|      | 52003100 | 1    | Rake, Right Hand, 28" with Zerk (Includes Item 18) (920403)      |
| 17   | 53213200 | 1    | Rake, Left Hand, 24" with Zerk (Includes Item 18) (920402, 404)  |
|      | 52003200 | 1    | Rake, Left Hand, 28" with Zerk (Includes Item 18) (920403)       |
| 18   | 07061300 | 4    | Zerk, Fitting .25 x .125 Drive In (920403)                       |
|      | 07061300 | 2    | Zerk, Fitting .25 x .125 Drive In (920402, 404)                  |
| 19   | 05500918 | 2    | Bushing, Rake Shaft  |
| 20   | 07400034 | 6    | Screw, Tapping Hex Washer Head Thread Rolling .25-20 x .50       |
| 21   | 02483851 | 2    | Skid Shoe  |
| 22   | 04145451 | 1    | Blade, Scraper, 28" (920403)                                     |
|      | 03884451 | 1    | Blade, Scraper, 24" (920402, 404)                                |
| 23   | 06200120 | 5    | Bolt, Round Short Head Square Short Neck .31-18 x .62            |
| 24   | 06543100 | 5    | Nut, Locking Top Flange .31-18                                   |
| 25   | 06200004 | 4    | Bolt, Round Head Square Short Neck .38-16 x .75                  |
| 26   | 06435700 | 4    | Washer, Flat Steel .38 x .875 x .083                             |
| 27   | 06529600 | 4    | Nut, Locking Center .38-16                                       |
| 28   | 53200500 | 2    | Shear Bolt with Nut (Includes item 29)                           |
| 29   | 06529700 | 2    | Nut, Locking Center .25-20                                       |
| 30   | 07001612 | 2    | Nut, Threaded Insert .38-16                                      |
| 31   | 00268901 | 1    | Pulley Hub   |
| 32   | 07411500 | 7    | Screw, Tapping Hex Washer Head Thread Rolling .31-18 x .50       |

# DISCHARGE CHUTE CRANK

Model 920402, 403, 404





# DISCHARGE CHUTE CRANK

Model 920402, 403, 404

| Item | Part No. | Qty. | Description  |
|------|----------|------|--|
| 1    | 08320900 | 1    | Spring   |
| 2    | 00389000 | 1    | Rod, Deflector Cap (920402, 403)   |
| 3    | 00398000 | 1    | Plate, Friction  |
| 4    | 01123800 | 2    | Friction Washer  |
| 5    | 01972451 | 1    | Bracket, Pinion Gear   |
| 6    | 03222900 | 1    | Chute Gear   |
| 7    | 03223000 | 1    | Gear Cover   |
| 8    | 03224300 | 1    | Pushnut  |
| 9    | 52000100 | 1    | Pinion Gear with Bracket (Includes Items 5, 8, 14 and 31)                      |
| 10   | 03883751 | 1    | Pedestal, Chute  |
| 11   | 52003800 | 1    | Chute, Discharge with Cap and Decal (920402, 403)                              |
|      | 52000900 | 1    | Chute, Discharge with Cap and Decal (920404)                                   |
| 12   | 04115351 | 1    | Bracket, Cable Anchor (920402, 403)  |
| 13   | 04338000 | 1    | Rod, Chute Crank   |
| 14   | 05500021 | 1    | Bushing, Polyliner   |
| 15   | 05500028 | 1    | Bushing, Polyliner (920402, 403)   |
| 16   | 05501012 | 2    | Bushing, Sleeve (920402, 403)  |
| 17   | 05958500 | 2    | Bolt, Hex .38-16 x 1.75  |
| 18   | 06224400 | 1    | Bolt, Round Head Square Neck .38-16 x 2.50                                     |
| 19   | 06308800 | 2    | Washer, Lock .38 x .094  |
| 20   | 06426600 | 2    | Washer, Flat Steel .281 x 1.000 x .063 (920402, 403)                           |
| 21   | 06400917 | 1    | Washer, Flat Steel .406 x 1.25 x .10   |
| 22   | 06542000 | 1    | Nut, Locking Top Flange .38-16   |
| 23   | 06543500 | 2    | Nut, Locking Top Flange .25-20 (920402, 403)                                   |
| 24   | 06714500 | 1    | Pin, Spring Clip   |
| 25   | 06900508 | 1    | Cable, Deflector (920402, 403)   |
| 26   | 06909400 | 1    | J-Clamp (920402, 403)  |
| 27   | 07400034 | 3    | Screw, Tapping Hex Washer Head Thread Rolling .25-20 x .50 (920402, 403)       |
|      | 07400034 | 4    | Screw, Tapping Hex Washer Head Thread Rolling .25-20 x .50 (920404)            |
| 28   | 07400104 | 1    | Screw, Tapping Large Hex Washer Head Thread Rolling .25-20 x .50 (920402, 403) |
| 29   | 07500129 | 2    | Knob, Chute Crank  |
| 30   | 08300013 | 1    | Spring (920402, 403)   |
| 31   | 06400009 | 1    | Washer, Thrust .625 x 1.0 x .03  |
| 32   | 06200007 | 1    | Bolt, Round Head Square Short Neck .31-18 x 1.00 (920404)                      |
| 33   | 06433600 | 1    | Washer, Flat Nylon .375 x .75 x 060 (920404)                                   |
| 34   | 06437200 | 1    | Washer, Flat Steel .344 x .688 x .065 (920404)                                 |
| 35   | 07500105 | 1    | Knob, Wing .31-18 (920404)   |





Ariens Company  
655 West Ryan Street  
Brillion, WI 54110  
920-756-4688  
Fax 920-756-2407  
[www.ariens.com](http://www.ariens.com)

An *Ariens* Company Brand