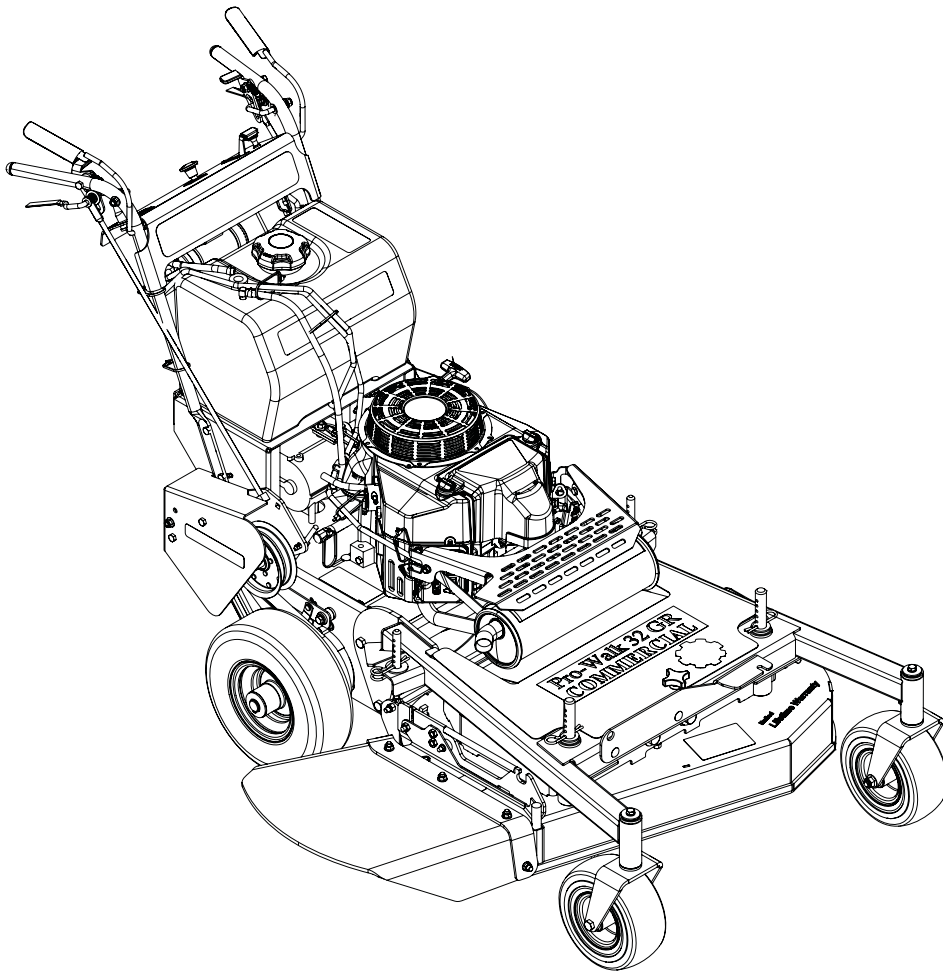




Pro-Walk Gear

Parts Manual



Models

988150 – 32GR
(SN 000101 +)

988151 – 36GR
(SN 000101 +)

988152 – 48GR
(SN 000101 +)

				<p>The use of any gasoline exceeding 10% ethanol (E10) or 10% MTBE will void the product warranty. L'utilisation d'une essence contenant plus de 10% d'éthanol (E10) ou de 10% de MTBE annulent la garantie. El uso de cualquier otro tipo de gasolina con un porcentaje superior al 10% de etanol (E10) o al 10% de MTBE invalidará la garantía del producto.</p>
--	--	--	--	--

THE MANUAL

Before you operate your unit, carefully and completely read manuals supplied with the unit. The contents will provide you with an understanding of safety instructions and controls during normal operation and maintenance.

For your safety and the safety of others always read, understand, and follow all DANGER, WARNING, and CAUTION messages found in manuals and on safety decals.

Hardware descriptions are given in decimals.

Decimals to Fractions			
.063	1/16	.563	9/16
.125	1/8	.625	5/8
.188	3/16	.688	11/16
.250	1/4	.750	3/4
.313	5/16	.813	13/16
.375	3/8	.875	7/8
.438	7/16	.938	15/16
.500	1/2	1.00	1

SERVICE AND REPLACEMENT PARTS

When ordering replacement parts or making service inquiries, know the Model and Serial numbers of your unit and engine.

Numbers are located on the product registration card in the unit literature package. They are printed on a serial number label, located on the frame of your unit.

- Record Unit Model and Serial numbers here:

- Record Engine Model and Serial numbers here:

UNAUTHORIZED REPLACEMENT PARTS

Use only Gravelly replacement parts. The replacement of any part on this vehicle with anything other than a Gravelly authorized replacement part may adversely affect the performance, durability, or safety of this unit and may void the warranty. Gravelly disclaims liability for any claims or damages, whether warranty, property damage, personal injury or death arising out of the use of unauthorized replacement parts.

PRODUCT REGISTRATION

The Gravelly dealer must register the product at the time of purchase. Registering the product will help the company process warranty claims or contact you with the latest service information. All claims meeting requirements during the limited warranty period will be honored, whether or not the product registration card is returned. Keep a proof of purchase if you do not register your unit.

Customer Note: If Dealer does not register your product, please fill out, sign and return the product registration card to Gravelly or go to www.gravelly.com.

YOUR SATISFACTION IS IMPORTANT

Questions? Please follow these helpful steps:

1. Refer to the manuals supplied with your unit.
They will guide you through safe and proper operation and maintenance.
They contain specifications on your unit.
If your questions are not answered in these manuals, go to step number two.
2. Contact Your Dealer.
Our dealers will be happy to supply any service or advice required to keep your unit operating at peak efficiency.
A factory trained staff is available to support your equipment needs. They stock genuine Gravelly parts and lubricants manufactured with the same precision and skill as the original.
If your questions are not resolved by the support staff, ask for the manager or owner.
When contacting your Dealer supply your model and serial numbers.

TO SPEED PARTS ORDERING:

1. Know the model and serial numbers of your unit.
2. Know the part number required.
3. Know the quantity required.
4. Know the part description.

MODELS

Domestic

Model 988150 (32GR)

16HP Kawasaki with 32-Inch Mower Deck
Serial No. 000101 and up

Model 988151 (36GR)

16HP Kawasaki with 36-Inch Mower Deck
Serial No. 000101 and up

Model 988152 (48GR)

16HP Kawasaki with 48-Inch Mower Deck
Serial No. 000101 and up

TABLE OF CONTENTS

DECALS

Decals – Safety	4
Decals – Style	5

MAIN FRAME

Gas Tank Assembly	6
-------------------------	---

POWER UNIT

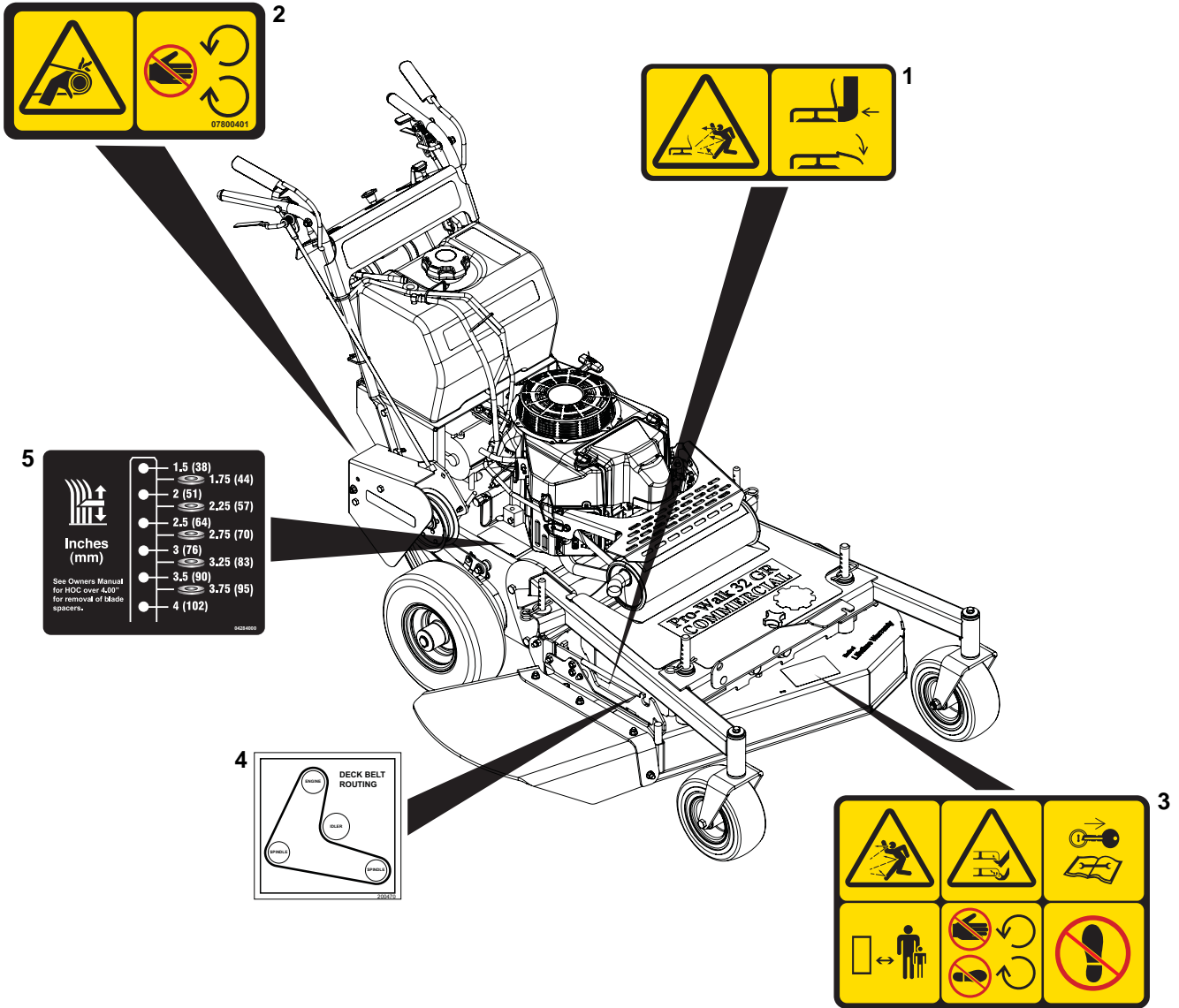
Engine & Traction Control	10
Transmission & Console	12

MOWER DECKS

Deck Assembly – 32"	16
Deck Assembly – 36"	18
Deck Assembly – 48"	20
Rubber Discharge Shield Assembly	22

DECALS – SAFETY

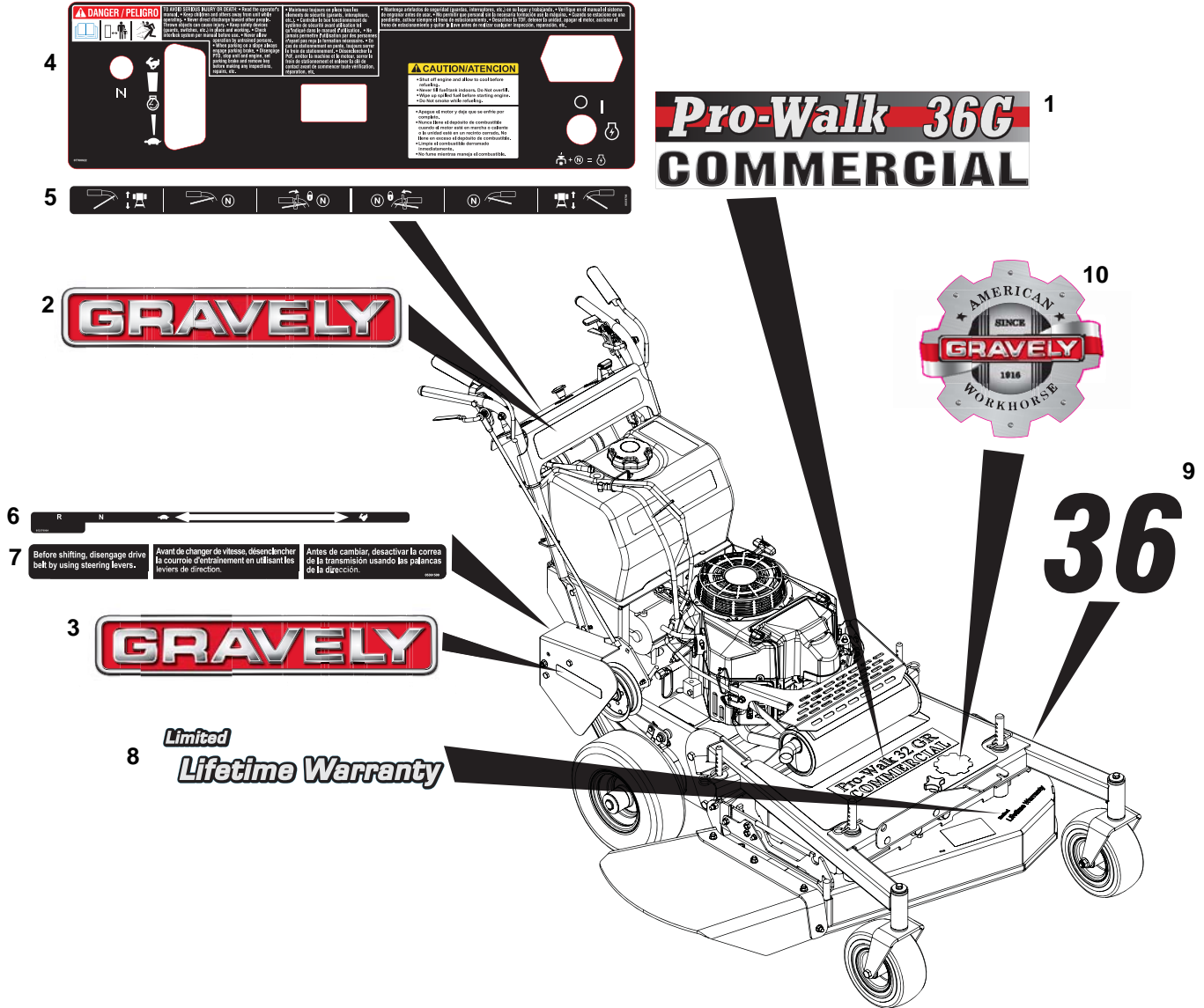
Model 988150, 151, 152



Item	Part No.	Qty.	Description
1	07742300	1	Decal, Warning (SN 000101 – 019999)
	07800402	1	Decal, Safety - Deck Guarding (SN 020000 +)
2	05236900	1	Decal, Danger-Belt Rotating (SN 000101 – 019999)
	07800401	1	Decal, Safety - Guarding (SN 020000 +)
3	07731400	2	Decal, Mower Pan Danger (988152) (SN 000101 – 019999)
	07800340	2	Decal, Safety - Mower Deck (988152) (SN 020000 +)
	07731400	1	Decal, Mower Pan Danger (988150, 151) (SN 000101 – 019999)
	07800340	1	Decal, Safety - Mower Deck (988150, 151) (SN 020000 +)
4	00200470	1	Decal, Deck Belt Routing (988150, 151)
	04271900	1	Decal, Deck Belt Routing (988152)
5	04284000	2	Decal, Prowalk Height of Cut (SN 000101 – 019999)
	04284000	1	Decal, Prowalk Height of Cut (SN 020000 +)

DECALS – STYLE

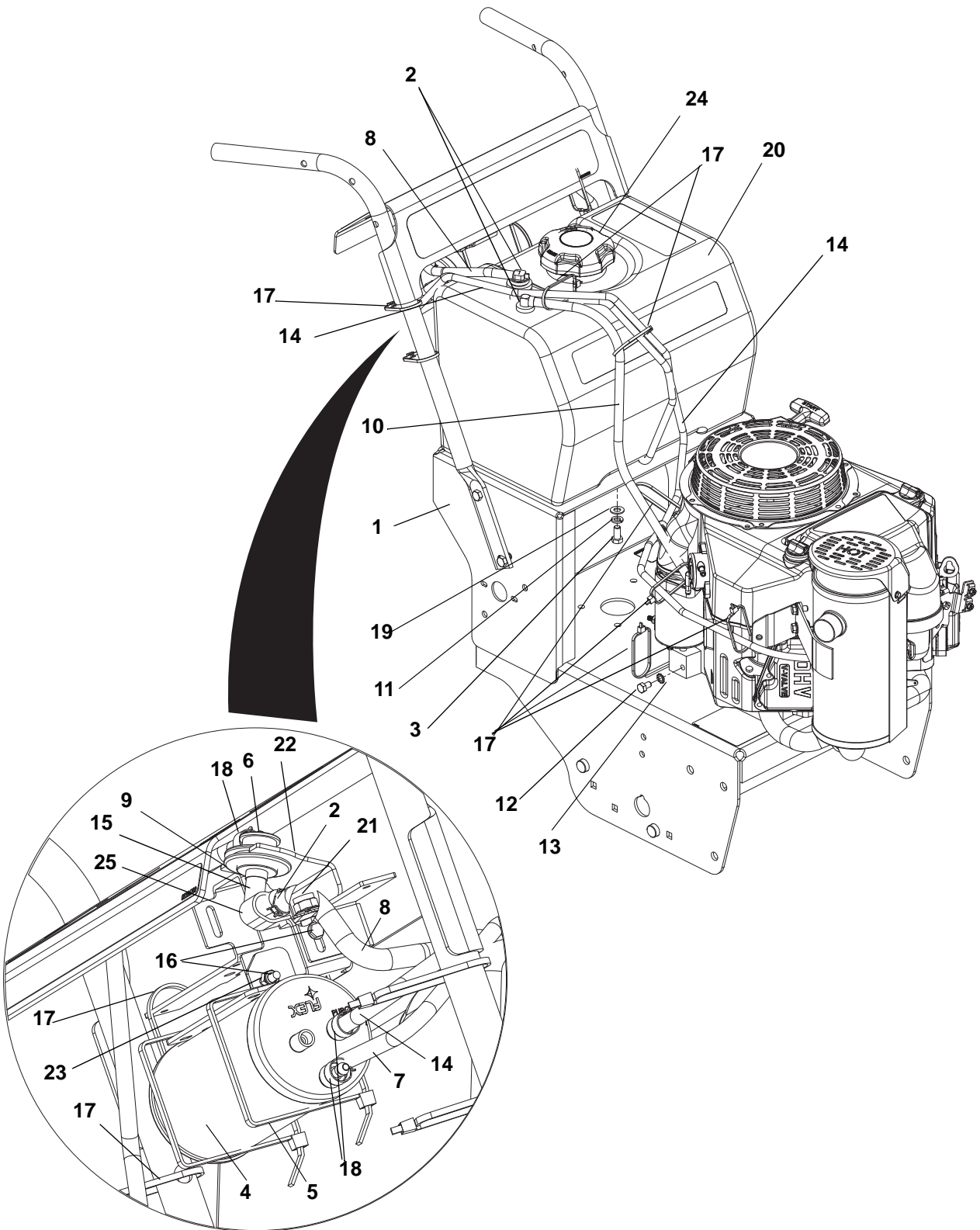
Model 988150, 151, 152



Item	Part No.	Qty.	Description
1	05237802	1	Decal, Pro 36G (988151)
	05237801	1	Decal, Pro 32G (988150)
	05237803	1	Decal, Pro 48G (988152)
2	05240000	1	Decal, 15" Gravely Logo
3	05239800	2	Decal, 6.5" Gravely Logo
4	07700022	1	Decal, Console ACAO GWK
5	05356700	1	Decal, Steer Levers (Gear)
6	05237000	1	Decal, Shift Lever
7	05361500	1	Decal, Declutch-Gear
8	03992400	1	Decal, Limited Lifetime Warranty
9	04278100	1	Decal, Deck Size 32" (988150)
	04278200	1	Decal, Deck Size 36" (988151)
	03891000	1	Decal, Deck Size 48" (988152)
10	08000526	1	Decal, Gravely Heritage - Large

GAS TANK ASSEMBLY

Model 988150, 151, 152



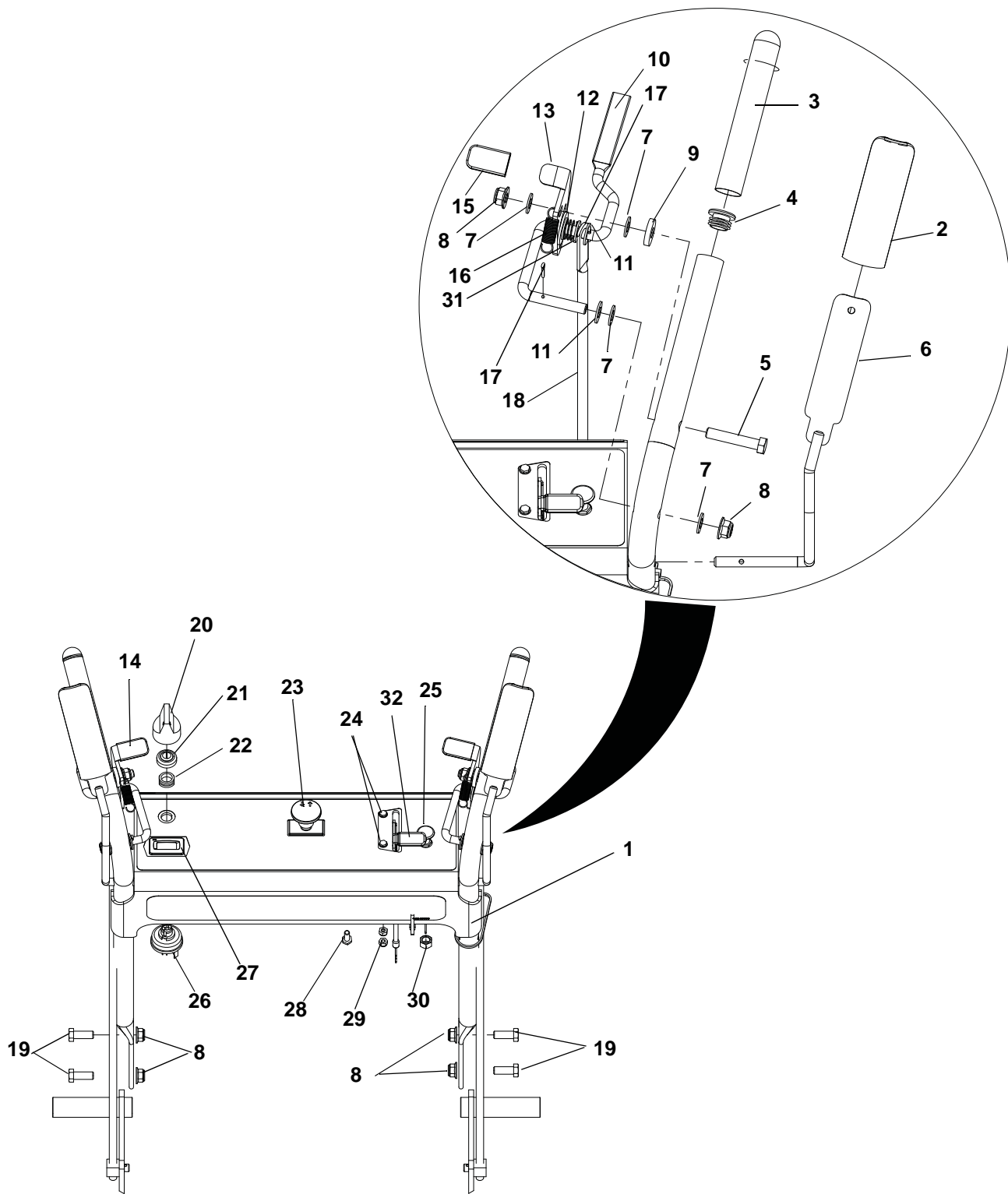
GAS TANK ASSEMBLY

Model 988150, 151, 152

Item	Part No.	Qty.	Description
1	58808600	1	Frame, Gravely GRWK w/Decals (SN 000101 – 020999)
	58809800	1	Frame, Gravely GRWLK w/Decals (SN 021000 +)
2	03278800	4	Clamp, Fuel Line
3	05959400	6	Bolt, .38-16 x .75 Hex Grade 5
4	04058210	1	400 CC Carbon Canister 3/16 Point
5	00967006	2	Cable Tie, .19 x 14.4
6	04068920	1	Valve, Remote Roll Over
7	03832619	1	Hose, 3/16 Remote ROV-Canister
8	03832618	1	Hose, 1/4" Tank-Remote ROV GRW
9	04068925	1	Grommet, Remote ROV
10	03832612	1	Hose, Fuel .25 x 18.00
11	06308800	4	Washer-Locking .38 x .094 Regular
12	05970001	1	Bolt, Hex M8 x 1.25 x 14
13	06307200	1	Washer, Locking-EXT.326 x .599 x .031
14	03832617	1	Hose, Purge Line 3/16 GRWLK
15	07001632	1	Elbow Fitting, 1/4 x 1/4 Assembly
16	06116900	2	Screw, Machine 10-24 x .75 Hex Washer Head
17	00111910	10	Cable Tie, .15 x 8.50
18	04097715	3	Clamp, Hose, Spring .188
19	06436200	4	Washer, Flat .406 x .812 x .065
20	04953200	1	Assembly, Tank, Fuel FF CLPE Walk (SN 000101 – 020999)
	04952000	1	Tank, Fuel Low Perm (SN 021000 +)
21	06542300	1	Nut, Locking-Flange M8-1.25
22	04265351	1	Bracket, ROV and CC Gear Walk
23	06536000	2	Nut, Locking-Nylon 10-24 with Insert (SN 000101 – 019999)
	06500704	2	Nut, 10-24 KEPS (SN 020000 +)
24	04952005	1	Cap, Fuel Nonvent, Autolock
25	AH89557	4	P-Clip, .500 Insulated

HANDLEBARS AND CONTROL PANEL

Model 988150, 151, 152



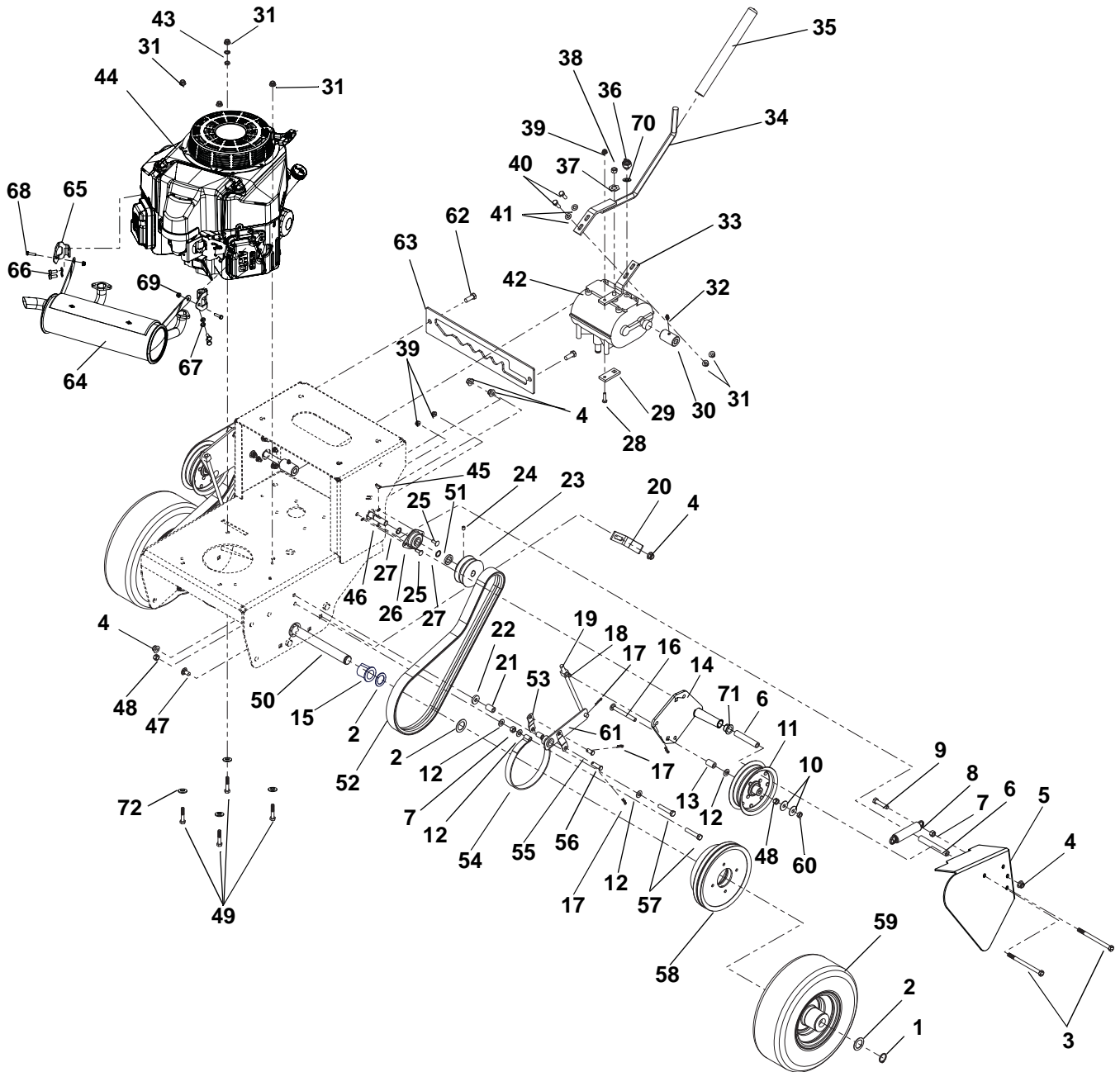
HANDLEBARS AND CONTROL PANEL

Model 988150, 151, 152

1	50522004	1	Weldment, Pro Handlebar w/Decals
2	00384500	2	Grip, Clutch Lever
3	04928800	2	Grip, Handlebar
4	07533300	2	Caplug, Handlebar
5	05963300	2	Bolt-Hex .38-16 x 2.00 Grade 5
6	04214651	1	Weldment-Left Hand Lever-Operator Presence
	04214551	1	Weldment-Right Hand Lever-Operator Presence
7	06433600	8	Washer-Flat-Nylon .375 x .75 x .060
8	06545500	8	Nut-Locking-Nylon-Flange .38-16
9	06444000	2	Washer-Flat-Steel .406 x 1.00 x .188
10	04905200	1	Lever, Hand Control Left Hand
	04922400	1	Lever, Hand Control Right Hand
11	06436200	8	Washer-Flat-Steel .406 x .812 x .065
12	06441000	2	Washer-Flat-Steel .50 x 1.25 x .083
13	04194951	1	Latch, Left Hand Thumb
14	04194751	1	Latch, Right Hand Thumb
15	04928700	2	Grip, Thumb Latch
16	08339300	2	Spring-Tension .041 x .500 x 1.750
17	06706900	4	Pin-Center .09 x .75 Extended Prong Square Cut
18	03371700	2	Rod, Steering
19	05948700	4	Bolt, Hex .38-16 x 1.00 Grade 5
20	09284600	1	Key with Shield
21	07517700	1	Cap, Ignition Switch
22	06517400	1	Nut, Panel .562-24
23	04311800	1	Switch, Clutch
24	06116900	2	Screw, Machine 10-24 x .75 Hex Washer Head
25	06944700	1	Cable, Choke
26	03602300	1	Key Switch
27	04196515	1	Meter, Hour INDCTV Recoil Engine
28	05946800	1	Bolt, Hex .25-20 x .75 Grade 5
29	06536000	2	Nut, Locking-Nylon 10-24 with Insert
30	06522900	1	Nut, Hex .375-24 Grade 2
31	08338800	1	Spring, Compression .045 x .600 x .750
32	06949100	1	Cable, Throttle with Liner

ENGINE & TRACTION CONTROL

Model 988150, 151, 152



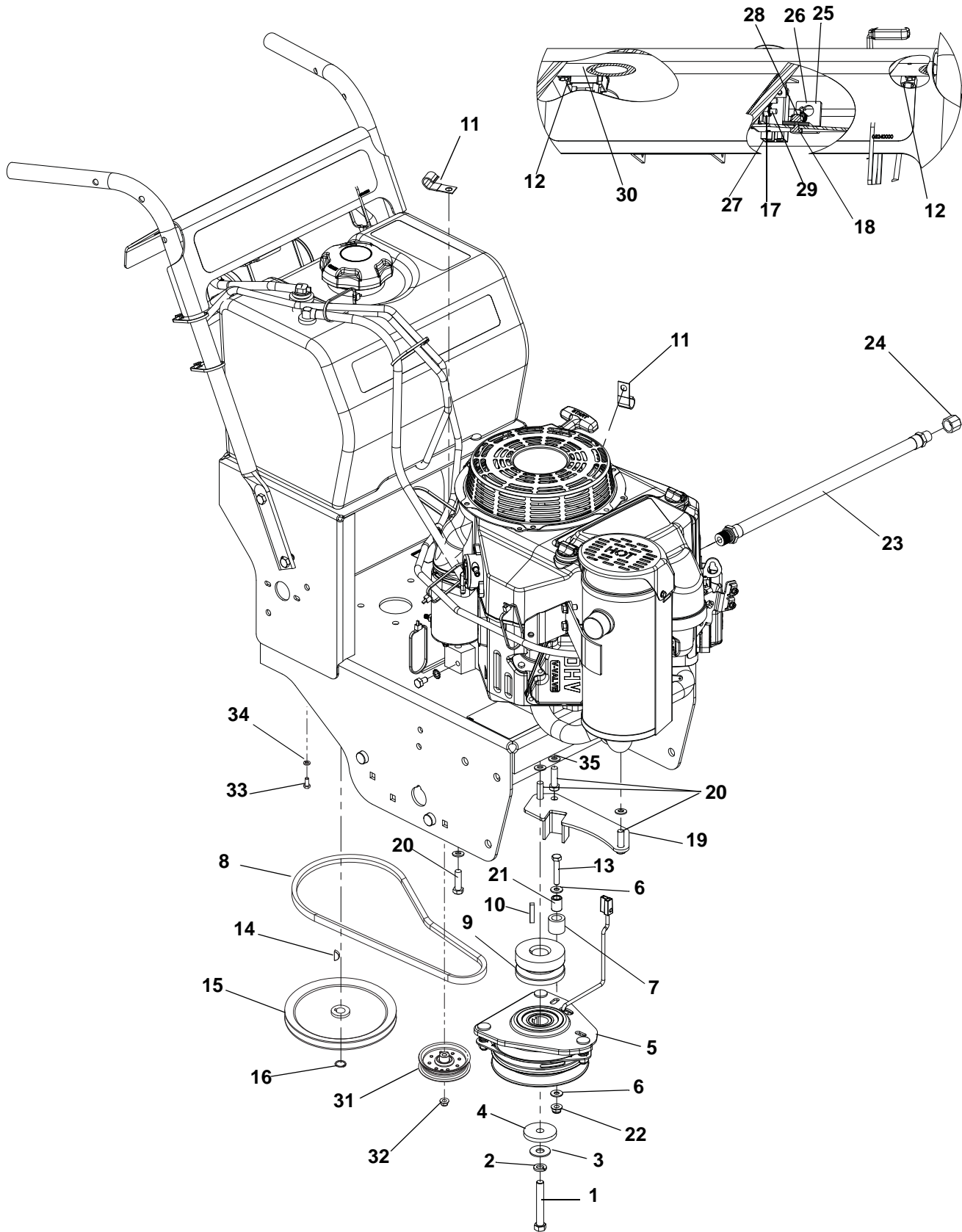
ENGINE & TRACTION CONTROL

Model 988150, 151, 152

Item	Part No.	Qty.	Description
1	05707300	2	Ring, Retaining-External 1.00 x .078
2	06436300	4	Washer, Flat-Steel 1.010 x 1.505 x .062
3	05957700	4	Bolt, .38-16 x 5.00 Hex Grade 5
4	06545500	25	Nut, Nyloc Flange, .38-16
5	04267351	1	Cover, RH Traction Belt
	04267451	1	Cover, LH Traction Belt
6	05500835	4	Bushing, S.385 x .610 x 4.32 Steel
7	06529400	4	Nut, Hex .38-16
8	08346800	2	Spring-Tension .105 x 1.00 x 5.0
9	05958500	2	Bolt, .38-16 x 1.75 Hex Grade 5
10	06425500	4	Washer, Flat Steel .375 x 1.125 x .065
11	D18032	2	Pulley, FLat 5.00 x .375 w/Bearing
12	06436200	20	Washer, .406 x .812 x .065 Flat
13	05509000	2	Bushing, Sleeve .375 x .625 x 1.000
14	04209651	2	Weldment, Wheel Clutching Arm
15	05517900	2	Bushing, Flange 1.010 x 1.38 x 1.4 x 1.65
16	06222400	2	Bolt, Round Head Square Neck .38-16 x 3.5 Grade 5
17	06714800	10	Pin, Hair
18	D33002	4	Swivel, .375-24
19	03369100	2	Rod, Brake Actuating
20	03299151	2	Plate, Belt Finger
21	08833400	2	Bushing, S.391 x .622 x .95 St
22	06444000	2	Washer, Flat Steel .406 x 1.00 x .188
23	07328567	2	Sheave, Drive 3.25 x .625 ID
24	06005500	2	Screw, Set .31-18X.38 Socket Head
25	06219900	4	Bolt, .25-20 x .750 Round Head Square Neck Grade 5
26	05426400	2	Bearing, Flange .625 x 1.875 x .797
27	05711900	5	Ring, Retaining-External .579 x .035
28	05947700	1	Bolt, .25-20 x 1.00 Hex Grade 5
29	04923000	1	Plate, Shift
30	04901200	2	Coupler
31	06545400	7	Nut, Nyloc Flange, .31-18
32	00959995	2	Fitting, .25-28 STRGT Grease Zerk
33	04922951	1	Bracket, Shift Lever
34	03369851	1	Weldment, Shift Lever
35	00675200	1	Grip, Handlebar
36	02913100	1	Switch, Neutral Start (N.O.)
37	06308800	1	Washer, Locking .38 x .094
38	06539400	1	Nut, Locking-Center .375-24
39	06500012	6	Nut, Nyloc Flange, .25-20
40	05946900	2	Bolt, .31-18 x 1.00 Hex Grade 5
41	06437200	2	Washer, Flat Steel .344 x .688 x .065
42	04901000	1	Transmission
43	06307200	1	Washer, Locking-EXT .326 x .599 x .031
44	08200612	1	Engine, Kawasaki (SN 000101 – 010000)
	08200725	1	Engine, Kawasaki FS481 (SN 010001 +)
45	06608700	3	Key, Woodruff .19 x .75 HRD#9
46	04923100	2	Shaft, Half
47	06223600	2	Bolt .38-16 x 1.00 Round Head Square Neck Grade 5
48	06529600	4	Locknut, .38-16 Center
49	05901507	4	Bolt, Hex .38-16 x 1.25 FTH Grade 5 EP80YZ (SN 000101 – 020999)
	05901522	4	Bolt, Hex .38-16 x 1.25 Grade 5 NYTORQ (SN 021000 +)
50	03386800	1	Shaft, Axle
51	06400830	2	Washer, Flat .765 x 1.125 x .187
52	07400037	2	Belt, Gear Drive 49" Elbow COG
53	08831951	4	Link, Brake Arm
54	08880600	2	Assembly, Brake Band, Pro
55	06814800	2	Pin, Clevis .38 x .750
56	06814900	2	Pin, Clevis .38 x 1.25
57	05963300	4	Bolt, .375-16 x 2.00 Hex Grade 5
58	07326900	2	Assembly, Pulley and Drum
59	07100734	2	Assembly, Wheel and Tire 6 x 3.5 (988150)
	07100239	2	Assembly, Wheel and Tire 6 x 4.5 (988151, 152)
60	06537200	2	Nut, Locking-Jam-Center .375-16
61	03371851	2	Weldment, Brake Actuating Lever
62	05948700	2	Bolt, Hex .38-16 x 1.00 Grade 5
63	04950453	1	Plate, Shift Lever Detent
64	04375200	1	Muffler, Kawasaki FS PROWALK (SN 021000 +)
65	04430251	2	Bracket, Exhaust (SN 021000 – 029999)
	04676751	2	Shield, Muffler (SN 030000 +)
66	05973300	4	Bolt, Hex M8-1.25 x 20 (SN 021000 +)
67	06308600	4	Washer, Locking .31 x .078 Regular (SN 021000 +)
68	06006104	2	Bolt, Hex .25-20 x 1.00 Grade 5 (SN 021000 +)
69	H137328	2	Nut, Locking Nylon Flange .25-20 (SN 021000 +)
70	06400031	1	Washer, Flat .563 x 1.00 x 18GA
71	05500907	4	Bushing, Flange, .625 x .750 x 1.00
72	06400927	4	Washer, 3/8" Spring Disc (SN 021000 +)
NOT SHOWN:			
73	03748502	1	Air Filter
74	00181073	1	Oil Filter
75	21538400	1	Fuel Filter
76	00186800	1	Spark Plug

TRANSMISSION & CONSOLE

Model 988150, 151, 152



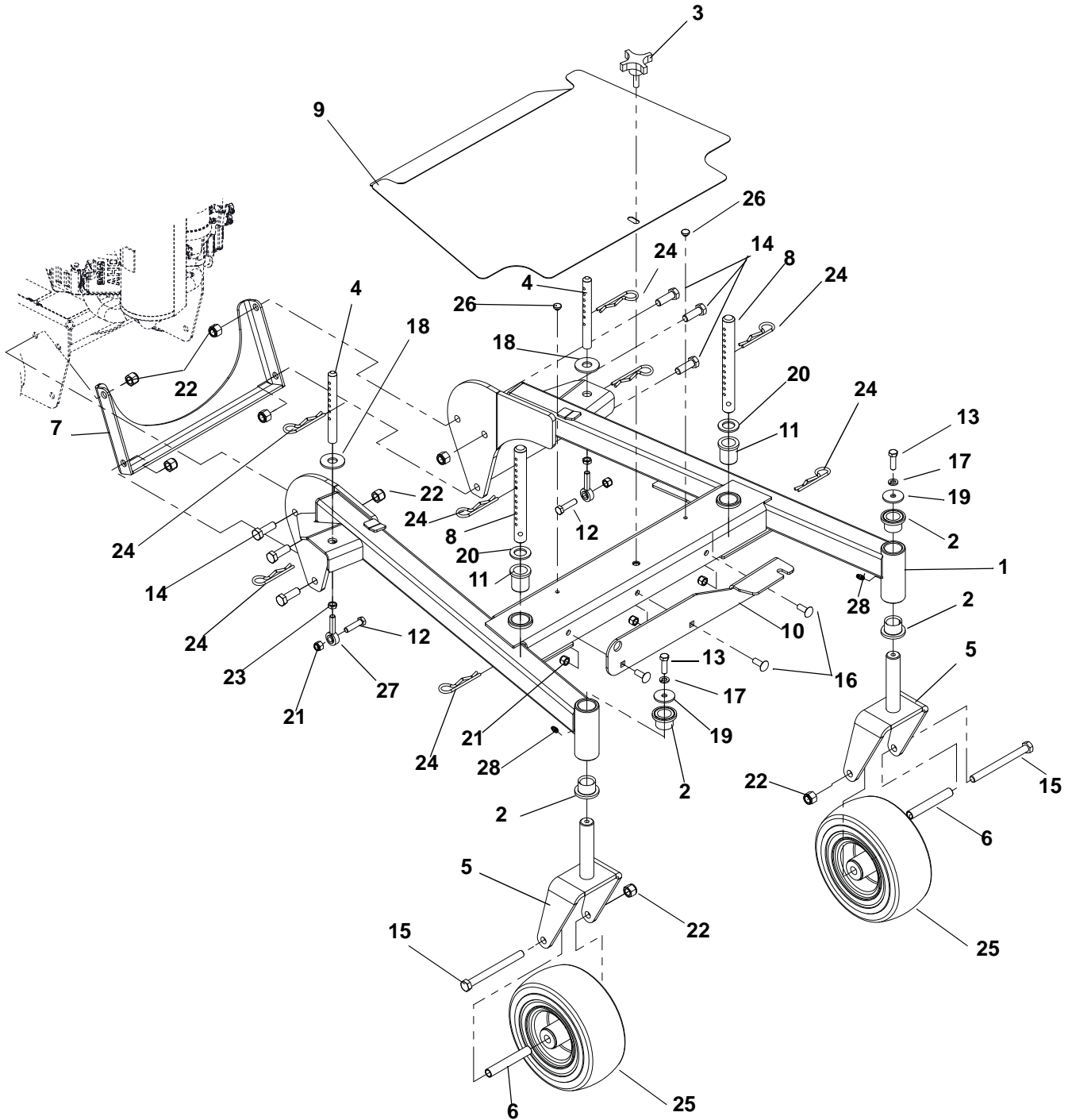
TRANSMISSION & CONSOLE

Model 988150, 151, 152

Item	Part No.	Qty.	Description
1	05900037	1	Bolt, .44-20 x 3.00 Hex Grade 5
2	06309300	1	Washer, Lock .44 x .109
3	06441000	1	Washer, Flat-Steel .50 x 1.25 x .083
4	06443600	1	Washer, Flat-Steel .469 x 2.00 x .25
5	00200665	1	Clutch Assembly, Ogura
6	06435800	2	Washer, Flat-Steel .531 x 1.062 x .095
7	07500007	1	Bumper, Rubber .62 x 1.0 x .88
8	07225500	1	Belt, HA 40.60 Raw Laminated
9	07300501	1	Sheave, 1.002 ID x 3.222 PIN
10	06606900	1	Key, Square .248 x 1.25 x .248
11	AH89557	2	P-Clip, .500 Insulated
12	07415800	2	Screw, Tap 10-24 x .50 HWH
13	05957400	1	Bolt, Hex .31-18 x 1.75 Grade 5
14	06608700	1	Key, Woodruff .19 x .75 HRD #9
15	07328600	1	Pulley, V 7.50 x .626
16	05711900	1	Ring, Retaining-External .579 x .035
17	06536000	2	Nut, Locking Nylon 10-24 w/Insert (SN 000101 – 019999)
	06500704	2	Nut, 10-24 KEPS (SN 020000 +)
18	05946800	1	Bolt, .25-20 x .750 Hex Grade 5
19	04061951	1	Weldment, Clutch Stop
20	05901507	4	Bolt, Hex .38-16 x 1.25 FTH Grade 5 EP80YZ (SN 000101 – 020999)
	05901522	4	Bolt, Hex .38-16 x 1.25 Grade 5 NYTORQ (SN 021000 +)
21	A8905500	1	Bushing
22	06545400	1	Nut, Nyloc Flange, .31-18
23	04271700	1	Drain, M20 Oil
24	03873200	1	Pipe Cap 3/8 NPT Female
25	04928951	1	Bracket, Brake Link
26	08337000	1	Spring, Tension .047 x .438 x 1.45
27	08828100	1	Switch, Interlock
28	06500012	1	Nut, .25-20 Nyloc Flange
29	06116900	2	Screw, Machine 10-24 x .75 Hex Washer Head
30	04214451	1	Weldment, Pivot Tube
31	07300039	1	Assembly, Idler 4"
32	06545500	1	Nut, Locking Nylon Flange .38-16
33	05947000	4	Bolt, Hex .31-18 x .75 Grade 5
34	06308600	4	Washer, Lock .31 x .078 Reg
35	06400927	4	Washer, 3/8" Spring Disc

DECK CARRIER FRAME

Model 988150, 151, 152



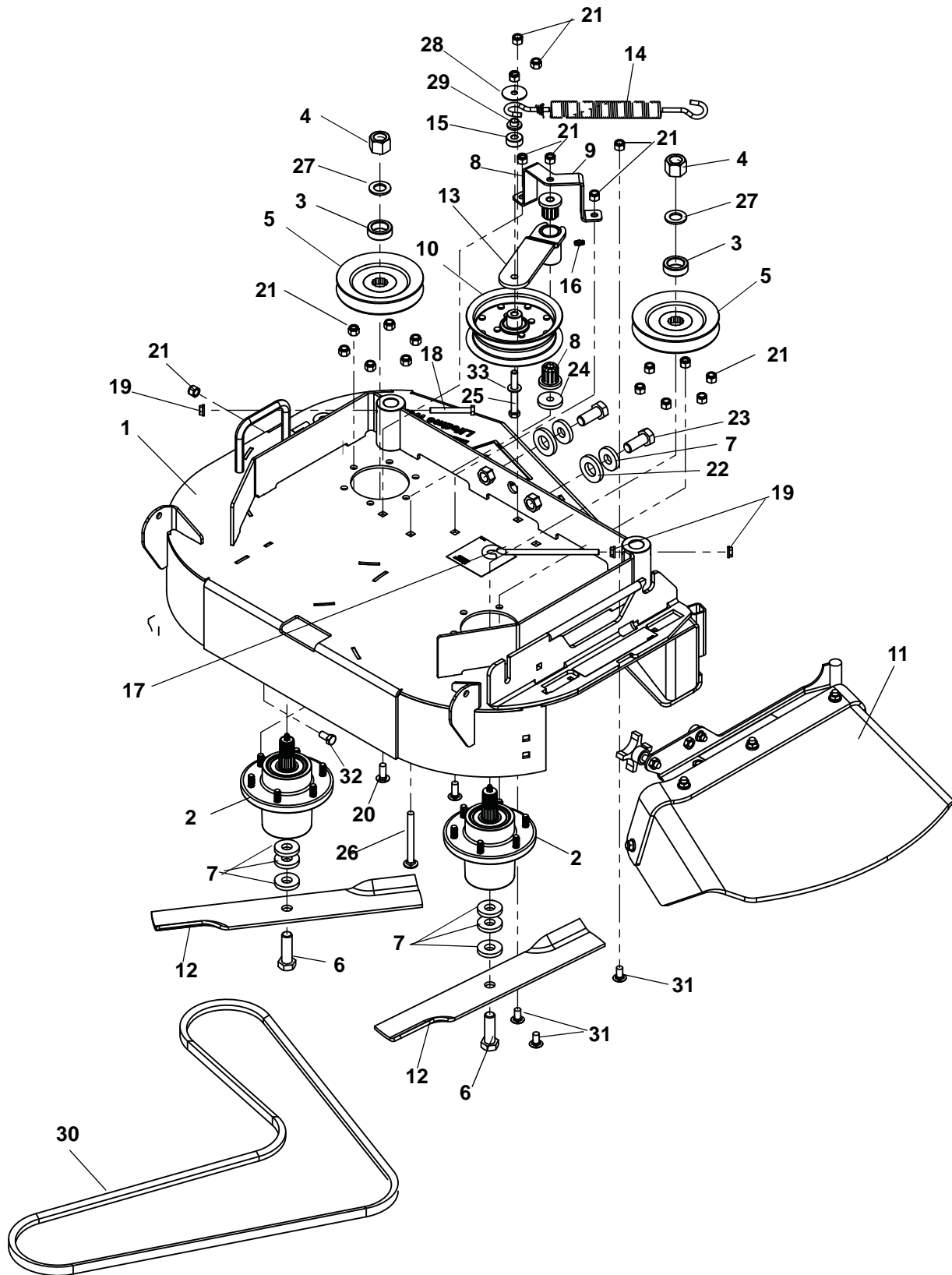
DECK CARRIER FRAME

Model 988150, 151, 152

Item	Part No.	Qty.	Description
1	04149253	1	Frame, Pro-Gear Carrier
2	04366100	4	Bearing, Flange 1.00 x 1.25 x 1.00
3	03820400	1	Knob, .38 x 1.25- 4-Prong (SN 000101 – 019999)
	04378100	1	Knob, .38-16 x .75 (SN 020000 +)
4	03841021	2	Rod, Rear HOC
5	03855153	2	Weldment, Front Wheel
6	D13003	2	Tube, Caster Axle
7	04161851	1	Bracket, Engine Crossplate
8	04197700	2	Pin, HOC
9	04214753	1	Shield, Carrier Frame (SN 000101 – 020999)
	04586953	1	Shield, Carrier Frame (SN 021001 +)
10	04258653	1	Bracket, Chute Storage
11	05500934	2	Bushing, Flange 1.00 x 1.25 x 1.50 x 1.50
12	05957900	2	Bolt, Hex .38-16 x 1.50 Grade 5
13	05958000	2	Bolt, Hex .38-16 x 1.25 Grade 5
14	05962000	6	Bolt, Hex .50-13 x 1.50 Grade 5
15	05964100	2	Bolt, Hex .50-13 x 5.50 Grade 5
16	06212000	3	Bolt, Round Head Square Neck .38-16 x 1.00 G5
17	06308800	2	Washer, Locking .38 x .094 Regular
18	06442900	2	Washer, Flat-Steel .688 x 1.75 x .134
19	06443400	2	Washer, Flat-Steel .380 x 1.50 x .125
20	06444700	2	Washer, Flat-Steel .875 x 1.500 x .1196
21	06535800	5	Nut, Locking-Nylon .38-16
22	06540600	8	Nut, Locking-Nylon .50-13
23	06534700	2	Nut, Jam .375-24
24	06713300	8	Pin, Hair-Internal .17 x .68 x 3.50
25	07100302	2	Assembly, Wheel and Tire 9 x 3.5 (SN 000101 – 010000)
	07100931	2	9 x 3.5-4 Carefree Bolt Together (SN 010001 +)
26	07503100	2	Bumper Grommet .125 x .250 Diameter
27	08790600	2	Rod End, .38 Right Hand
28	00959995	2	Fitting, 1/4-28 STRGT Grease Zerk

DECK ASSEMBLY – 32"

Model 988150



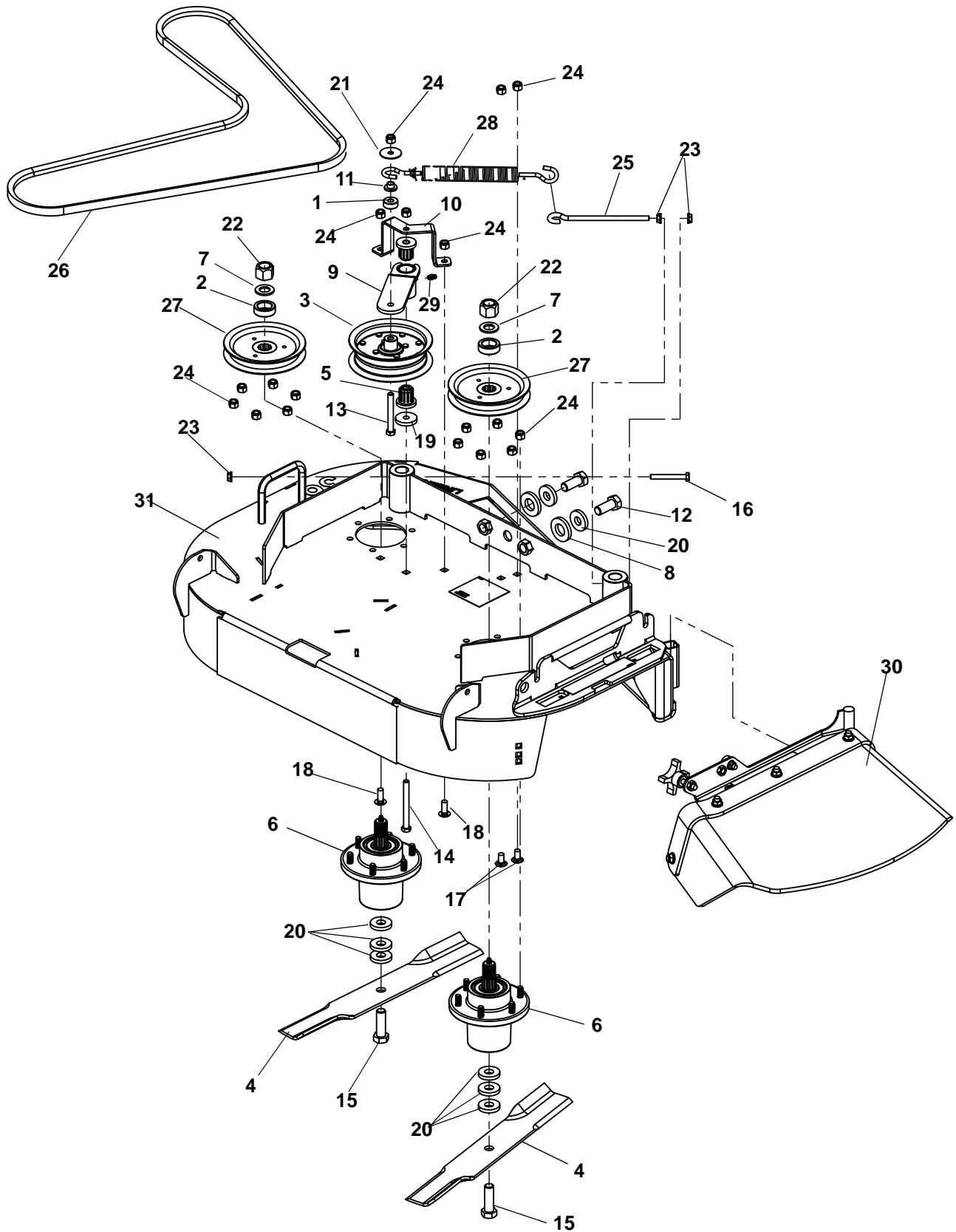
DECK ASSEMBLY – 32"

Model 988150

Item	Part No.	Qty.	Description
1	58808300	1	Assembly, Deck 32" with Decals
2	00200262	2	Assembly, Spindle S/O
3	D13024	2	Spacer, 1.500 x 1.000 x .510 (SN 000101 – 020999)
	06425600	2	Washer, Flat Steel 1.0 x 1.50 x .25 (SN 021000 +)
4	06500709	2	Locknut, .75-16 Crown Grade 5
5	03854502	2	Pulley, Spline Spindle (SN 000101 – 021000)
	07337351	2	Pulley, Spindle .25 Hub (SN 021001 +)
6	05970002	2	Bolt, .62-11 x 2.00 Hex Grade 8
7	06400913	8	Washer, .630 x 1.50 x .25 Flat
8	TCU14540	2	Bearing, Flange M10 x M25 x M27 Fluted
9	04262151	1	Bracket, Idler Support
10	D18032	1	Pulley, Flat 5.0 x .38 w/BRG
11	56155053	1	Discharge Shield Assembly (see page 23 for individual parts)
12	GDU10230	2	Blade, 16.50" Lo-Lift
13	04056251	1	Weldment, Idler Arm w/Offset
14	08300505	1	Spring, Extension
15	D13023	1	Bushing, .380 x 1.00 x .410
16	00959995	1	Fitting, .25-28 Straight Grease Zerk
17	07001629	1	Bolt, Eye .31-18 x 5.50 .62 DIA
18	05984900	1	Bolt, .31-18 x 2.50 Hex Grade 8
19	06530400	3	Nut, Spinlock Flange .312-18
20	06212000	2	Bolt, .375-16 x 1.00 Round Head Square Neck
21	06535800	20	Nut, Locking-Nylon .38-16
22	03841023	2	Washer, .905 x 1.75 x .250
23	05901321	2	Bolt, Hex .625-11 1.50 Grade 8
24	06400006	1	Washer, .406 x 1.50 x .245 Flat
25	05957800	1	Bolt, .38-16 x 3.00 Hex Grade 5
26	06200117	1	Bolt, .375-16 x 3.75 Round Head Square Neck
27	03399703	2	Washer, .75 x 1.313 x .113
28	06439300	1	Washer, .380 x 1.50 x .062 Flat
29	05500435	1	Bushing, Flange .385 x .500 x .875 x .406
30	07200504	1	V-Belt, HB Wrapped
31	06200004	3	Bolt, Round Head Square Neck .38-16 x .75
32	05959400	1	Bolt, .38-16 x .750 Hex Grade 5
33	06436200	1	Washer, Flat-Steel .406 x .812 x .065

DECK ASSEMBLY – 36"

Model 988151



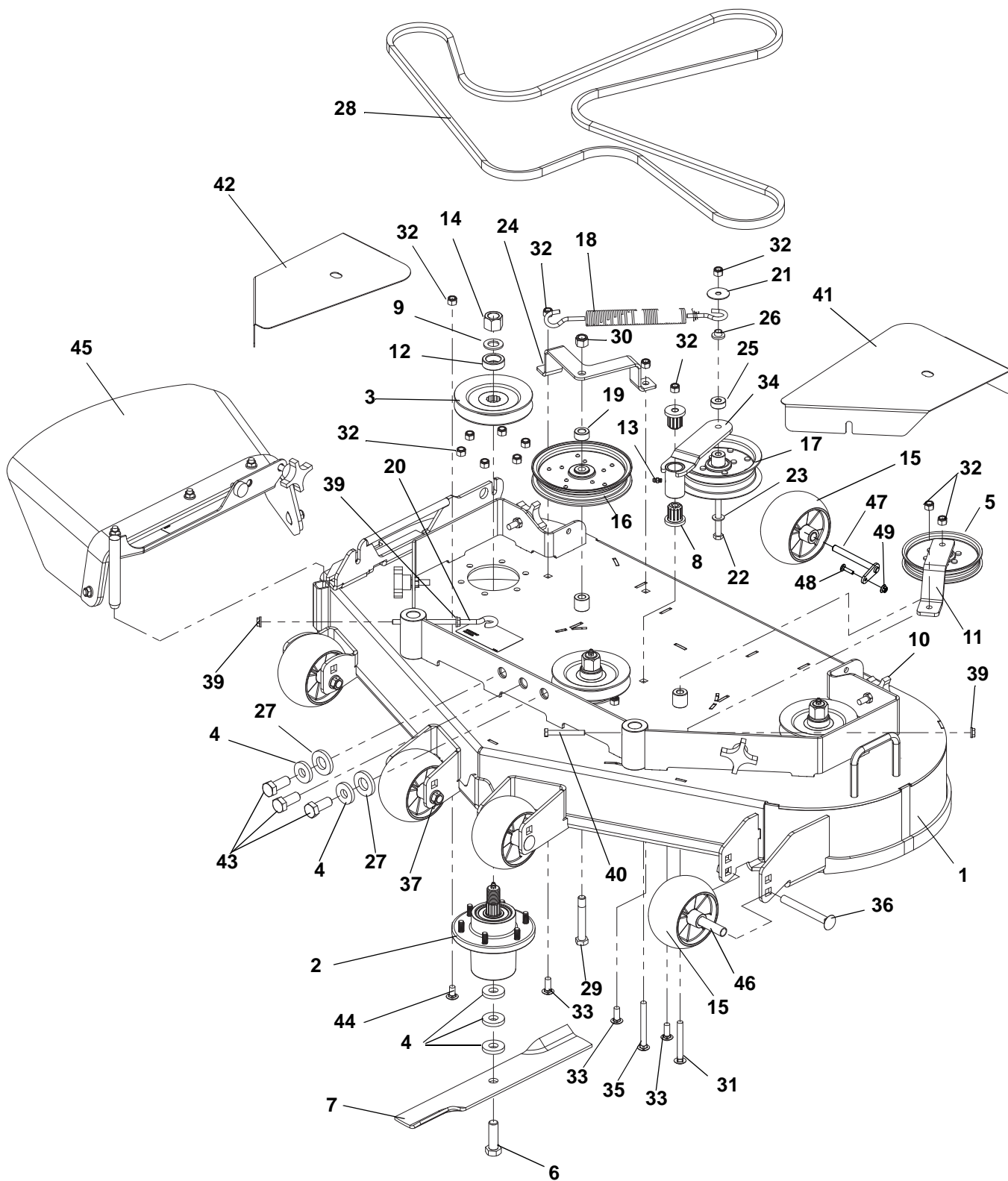
DECK ASSEMBLY – 36"

Model 988151

Item	Part No.	Qty.	Description
1	D13023	1	Bushing, .380 x 1.00 x .410
2	D13024	2	Spacer, 1.500 x 1.000 x .510 (SN 000101 – 020999)
	06425600	2	Washer, Flat Steel 1.0 x 1.50 x .25 (SN 021000 +)
3	D18032	1	Pulley, Flat 5.0 x .38 w/BRG
4	GDU10231	2	Blade, 18"
5	TCU14540	2	Bearing, Flange M10 x M25 x M27 Fluted
6	00200262	2	Assembly, Spindle S/O
7	03399703	2	Washer, .75 x 1.313 x .113
8	03841023	2	Washer, .905 x 1.75 x .250
9	04056251	1	Weldment, Idler Arm w/Offset
10	04262151	1	Bracket, Idler Support
11	05500435	1	Bushing, Flange .385 x .500 x .875 x .406
12	05901321	2	Bolt, Hex .625-11 1.50 Grade 8
13	05957800	1	Bolt, .38-16 x 3.00 Hex Grade 5
14	05959500	1	Bolt, .38-16 x 3.75 Hex Grade 5 (SN 000101 – 020999)
	06200117	1	Bolt, Round Head Square Neck .375-16 x 3.75 (SN 021000 +)
15	05970002	2	Bolt, .62-11 x 2.00 Hex Grade 8
16	05984900	1	Bolt, .31-18 x 2.50 Hex Grade 8
17	06200004	2	Bolt, Round Head Square Neck .38-16 x .75
18	06212000	2	Bolt, .38-16 x 1.00 Round Head Square Neck Grade 5
19	06400006	1	Washer, .406 x 1.50 x .245 Flat
20	06400913	8	Washer, .630 x 1.50 x .25 Flat
21	06439300	1	Washer, .380 x 1.50 x .062 Flat
22	06500709	2	Locknut, .75-16 Crown Grade 5
23	06530400	3	Nut, Spinlock Flange .312-18
24	06535800	18	Nut, Locking-Nylon .38-16
25	07001629	1	Bolt, Eye .31-18 x 5.50 .62 DIA
26	07200504	1	Gravelly 36" Drive Belt
27	07300531	2	Pulley, Spline Spindle (SN 000101 – 021000)
	07339251	2	Pulley, Spindle 5.75 OD .25 HB (SN 021001 +)
28	08300505	1	Spring, Extension
29	00959995	1	Fitting, .25-28 Straight Grease Zerk
30	56155053	1	Discharge Shield Assembly (see page 23 for individual parts)
31	58808400	1	Assembly, Deck 36" with Decals

DECK ASSEMBLY – 48"

Model 988152



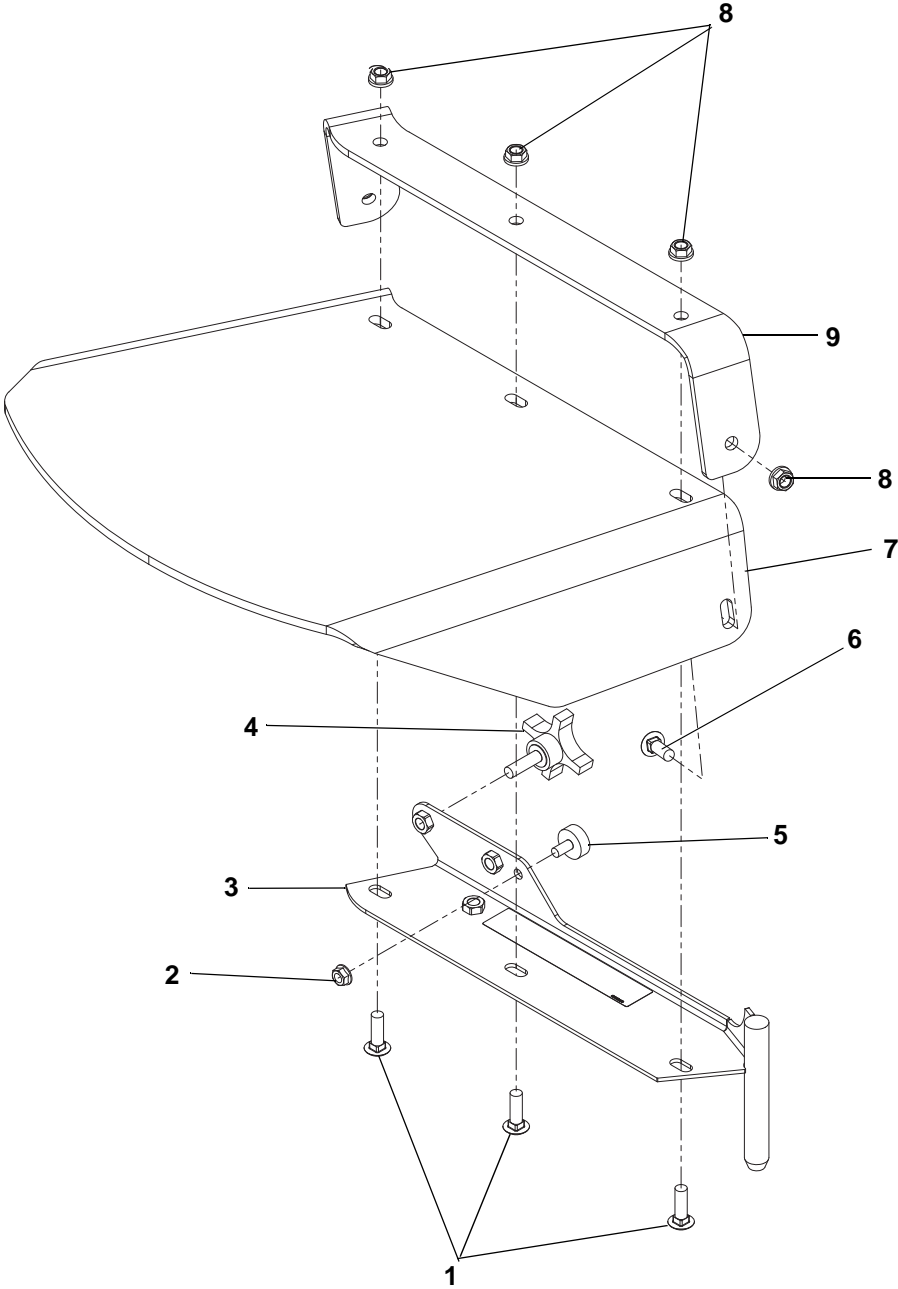
DECK ASSEMBLY – 48"

Model 988152

Item	Part No.	Qty.	Description
1	58808500	1	48" Gravely Gear Deck with Decals
2	00200262	3	Assembly, Spindle S/O
3	03854502	3	Pulley, Splined Spindle SH (SN 000101 – 021000)
	07337351	3	Pulley, Spindle .25 Hub (SN 021001 +)
4	06400913	11	Washer, Flat-Steel .630 x 1.50 x .25
5	D28050	1	Pulley, Flat Idler
6	05970002	3	Bolt, Hex .62-11 x 2.00 Grade 8
7	GDU10230	3	Blade, 16.500 Lo-Lift
8	TCU14540	2	Bearing, Flange M10 x M25 x M27 Fluted
9	03399703	3	Washer, .75 x 1.3125 x .120
10	03820400	4	Knob, .375 x 1.25-4 Prong (SN 000101 – 019999)
	04378100	4	Knob, .38-16 x .75 (SN 020000 +)
11	03856451	1	Strap, Idler 48/52 WALK
12	D13024	3	Spacer, 1.500 x 1.000 x .510 (SN 000101 – 020999)
	06425600	3	Washer, Flat-Steel 1.0 x 1.50 x .25 (SN 021000 +)
13	00959995	1	Fitting, .25-28 STRGT Grease Zerk
14	06500709	3	Locknut, .75-16 Crown Grade 5
15	03905900	6	Anti-Scalp Wheel- 5X3 Center
16	07316700	1	Idler, Flat-Pulley 6.75 x .510
17	D18032	1	Pulley, Flat 5.00 x .375 w/BRG
18	08300505	1	Spring, Extension
19	05500905	1	Bushing, Spacer .502 x .997 x .50
20	07001629	1	Bolt, Eye .31-18X5.50 .62 Diameter
21	06439300	1	Washer, Flat-Steel .38 x 1.50 x .062
22	05957800	1	Bolt, Hex .38-16 x 3.00 Grade 5
23	06436200	1	Washer, Flat-Steel .406 x .812 x .065
24	04223451	1	Bracket, Idler Support
25	D13023	1	Bushing, .380 x 1.00 x .410
26	05500435	1	Bushing-Flange .385 x .500 x .875 x .406
27	03841023	2	Washer, .905 x 1.750 x .250
28	07240700	1	V-Belt, B-Wrapped
29	05960000	1	Bolt, Hex .50-13 x 3.25 Grade 5
30	06540600	1	Nut, Locking-Nylon .50-13
31	06228100	1	Bolt, Round Head Square Neck .38-16 x 3.00 Grade 5
32	06535800	26	Nut, Locking-Nylon .38-16
33	06212000	3	Bolt, .38-16 x 1.00 Round Head Square Neck Grade 5
34	04056251	1	Weldment, Idler Arm w/Offset
35	06222400	1	Bolt, .38-16 x 3.50 Round Head Square Neck Grade 5
36	06200132	4	Bolt, .50-13 x 4.50 Round Head Square Neck Grade 5
37	06500010	4	Nut, Locking-Nylon-Flange .50-13
38	06219800	2	Bolt, .25-20 x 1.00 Round Head Square Neck Grade 5 (SN 000101 – 020999)
	06219900	2	Bolt, Round Head Square Neck .25-20 x .75 Grade 5 (SN 021000 +)
39	06530400	3	Nut, Spin Lock-Flange .312-18
40	05984900	1	Bolt, 5/16-18 x 2.50 Hex 8
41	04231053	1	Guard, LH 48" Belt
42	04230953	1	Guard, RH 48" Belt
43	05901321	3	Bolt, Hex .62-11 1.5 Grade 8
44	06200004	2	Bolt, .38-16 x .75 Round Head Square Neck Grade 5
45	56155053	1	Discharge Shield Assembly (see page 23 for individual parts)
46	00473700	6	Spacer, .510 x .625 x 3.25
47	GDA10103	2	Pivot, Retainer Weldment
48	06219800	2	Bolt, Round Head Square Neck .25-20 x 1.00 Grade 5
49	06531000	2	Nut, Locking-Nylon .250-20

RUBBER DISCHARGE SHIELD ASSEMBLY

Model 988150, 151, 152

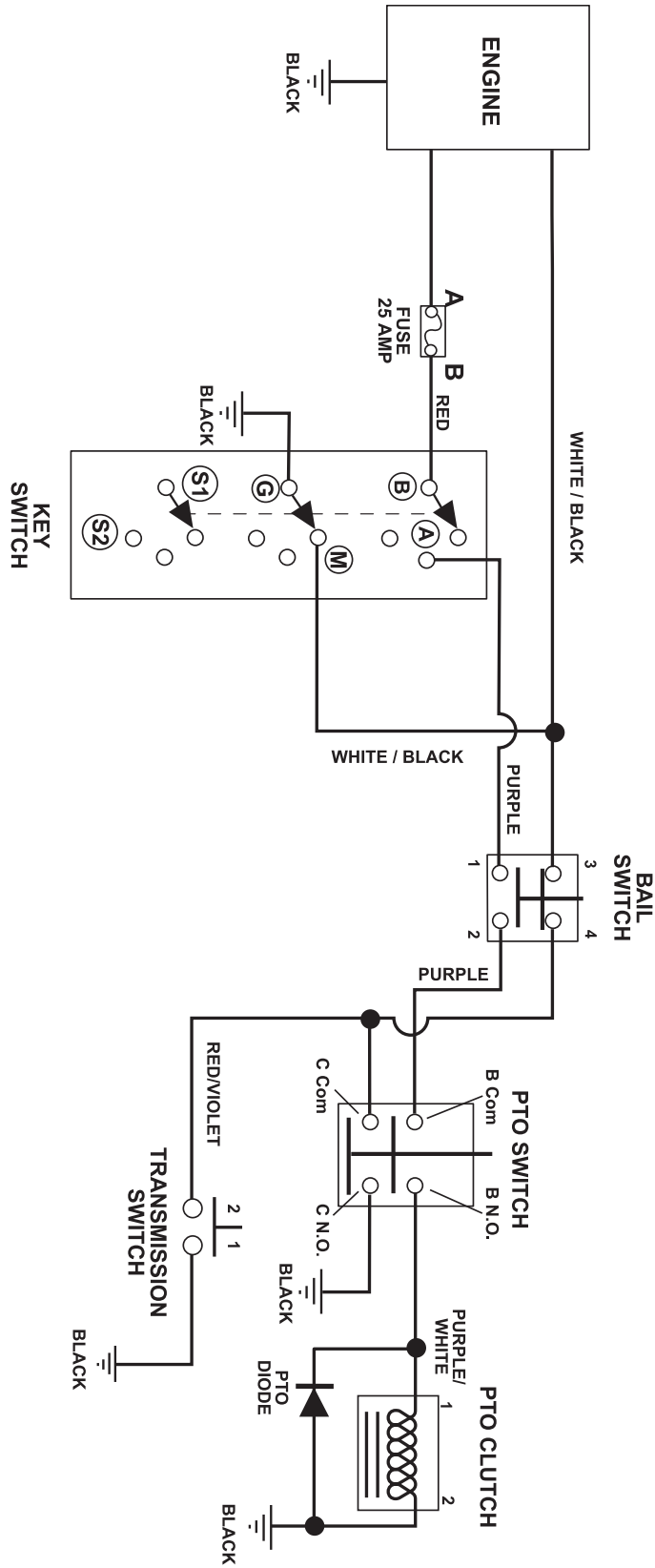


RUBBER DISCHARGE SHIELD ASSEMBLY

Model 988150, 151, 152

Item	Part No.	Qty.	Description
1	06224100	3	Bolt, Round Head Square Neck .38-16 x 1.25 Grade 5
2	06530400	1	Nut, Spin Lock-Flange .312-18
3	03981953	1	Weldment, Discharge
4	03820400	1	Knob, .375 x 1.25-4 Prong (SN 000101 – 019999)
	04378100	1	Knob, .38-16 x .75 (SN 020000 +)
5	07533600	1	Bumper, Rubber
6	06223600	2	Bolt, Round Head Square Neck .38-16 x 1.00 Grade 5
7	04044200	1	Shield, Walk Rubber Discharge
8	06534900	5	Nut, Spin Lock Flange .375-16
9	03983853	1	Strap, Gravely Walk Rubber Discharge Chute

WIRING DIAGRAM



Item	Part No.	Qty.	Description
1	03298705	1	Wire Harness



Gravelly
655 West Ryan Street
Brillion, WI 54110
920-756-4688
Fax 920-756-2407
www.gravelly.com
www.gravelly.eu
www.ariens.com.au

An *Ariens* Company Brand