

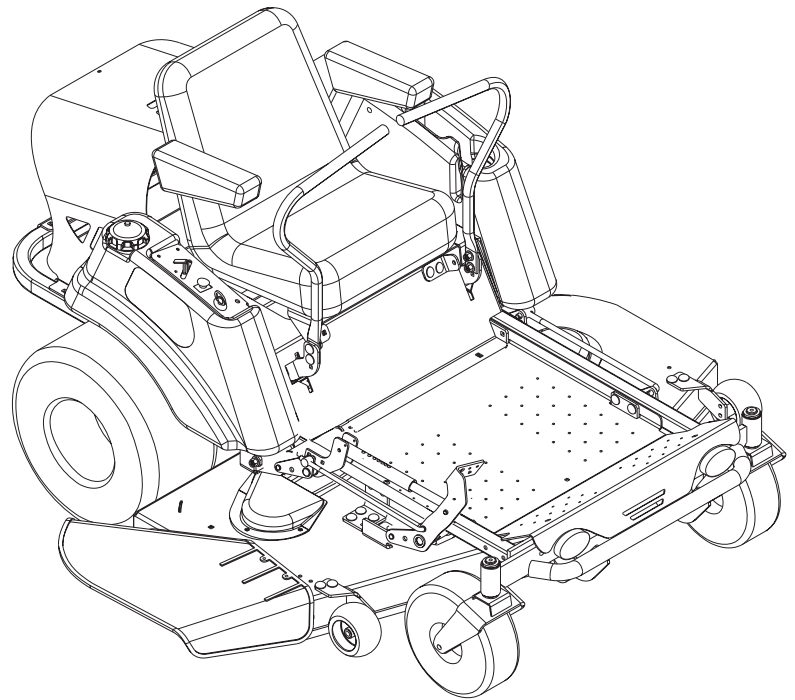


# ZT

## Parts Manual

### Models

- 915044 - ZT 1740
- 915046 - ZT 1944
- 915048 - ZT 2148
- 915050 - ZT 2352



## THE MANUAL

---

Before you operate your unit, carefully and completely read manuals supplied with the unit. The contents will provide you with an understanding of safety instructions and controls during normal operation and maintenance.

For your safety and the safety of others always read, understand, and follow all DANGER, WARNING, and CAUTION messages found in manuals and on safety decals.

Hardware descriptions are given in decimals.

Decimals to Fractions			
.063	1/16	.563	9/16
.125	1/8	.625	5/8
.188	3/16	.688	11/16
.250	1/4	.750	3/4
.313	5/16	.813	13/16
.375	3/8	.875	7/8
.438	7/16	.938	15/16
.500	1/2	1.00	1

## SERVICE AND REPLACEMENT PARTS

---

When ordering replacement parts or making service inquiries, know the Model and Serial numbers of your unit and engine.

Numbers are located on the product registration card in the unit literature package. They are printed on a serial number label, located on the frame of your unit.

- Record Unit Model and Serial numbers here:

- Record Engine Model and Serial numbers here:

## UNAUTHORIZED REPLACEMENT PARTS

Use only Gravelly replacement parts. The replacement of any part on this vehicle with anything other than a Gravelly authorized replacement part may adversely affect the performance, durability, or safety of this unit and may void the warranty. Gravelly disclaims liability for any claims or damages, whether warranty, property damage, personal injury or death arising out of the use of unauthorized replacement parts.

## PRODUCT REGISTRATION

---

The Gravelly dealer must register the product at the time of purchase. Registering the product will help the company process warranty claims or contact you with the latest service information. All claims meeting requirements during the limited warranty period will be honored, whether or not the product registration card is returned. Keep a proof of purchase if you do not register your unit.

**Customer Note:** If Dealer does not register your product, please fill out, sign and return the product registration card to Gravelly or go to [www.gravelly.com](http://www.gravelly.com).

## YOUR SATISFACTION IS IMPORTANT

---

**Questions? Please follow these helpful steps:**

1. Refer to the manuals supplied with your unit.  
They will guide you through safe and proper operation and maintenance.  
They contain specifications on your unit.  
If your questions are not answered in these manuals, go to step number two.
2. Contact Your Dealer.  
Our dealers will be happy to supply any service or advice required to keep your unit operating at peak efficiency.  
A factory trained staff is available to support your equipment needs. They stock genuine Gravelly parts and lubricants manufactured with the same precision and skill as the original.  
If your questions are not resolved by the support staff, ask for the manager or owner.  
When contacting your Dealer supply your model and serial numbers.

## TO SPEED PARTS ORDERING:

1. Know the model and serial numbers of your unit.
2. Know the part number required.
3. Know the quantity required.
4. Know the part description.

## MODELS

---

### **Model 915044 (ZT 1740)**

17 HP Kohler with 40" Mower  
Serial No. 000101 and up

### **Model 915046 (ZT 1944)**

19 HP Kohler with 44" Mower  
Serial No. 000101 and up

### **Model 915048 (ZT 2148)**

21 HP Kohler with 48" Mower  
Serial No. 000101 and up

### **Model 915050 (ZT 2352)**

23 HP Kohler with 52" Mower  
Serial No. 000101 and up

## TABLE OF CONTENTS

---

### **DECALS**

---

Decals . . . . . 4

### **MAIN FRAME AND TRANSAXLES**

---

Frame, Hood and Footrest . . . . . 6

Front Axle, Tires and Bumper . . . . . 7

Seat and Support . . . . . 8

Transaxle, Dump Valves and Rear Wheels . . . . . 10

### **OPERATOR CONTROLS**

---

Parking Brake . . . . . 11

Steering Controls . . . . . 12

### **FUEL TANKS AND ENGINE**

---

Fuel Tank . . . . . 14

Engine, Exhaust, Belt and Idlers . . . . . 16

### **ELECTRICAL SYSTEM**

---

Electrical System . . . . . 18

Continuity Diagrams . . . . . 20

Wiring Diagrams . . . . . 21

### **MOWER DECKS**

---

Mower Deck, Belt, Idlers and Blades . . . . . 24

Baffles and Chute . . . . . 26

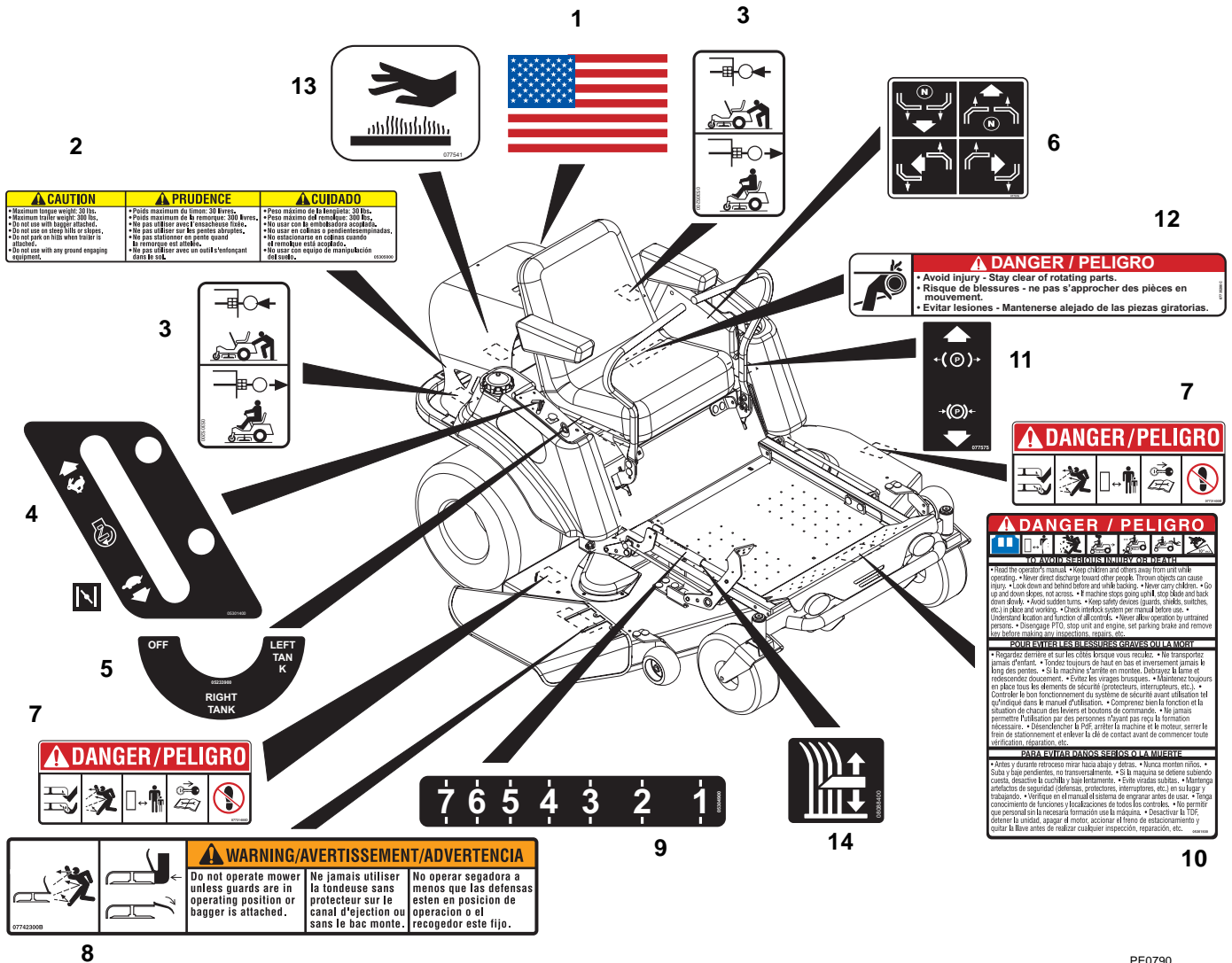
Handle and Stabilizer Brackets . . . . . 27

Mower Deck Lift . . . . . 28

Mower Brackets and Rollers . . . . . 29

# DECALS-SAFETY

Model 915044, 046, 048, 050

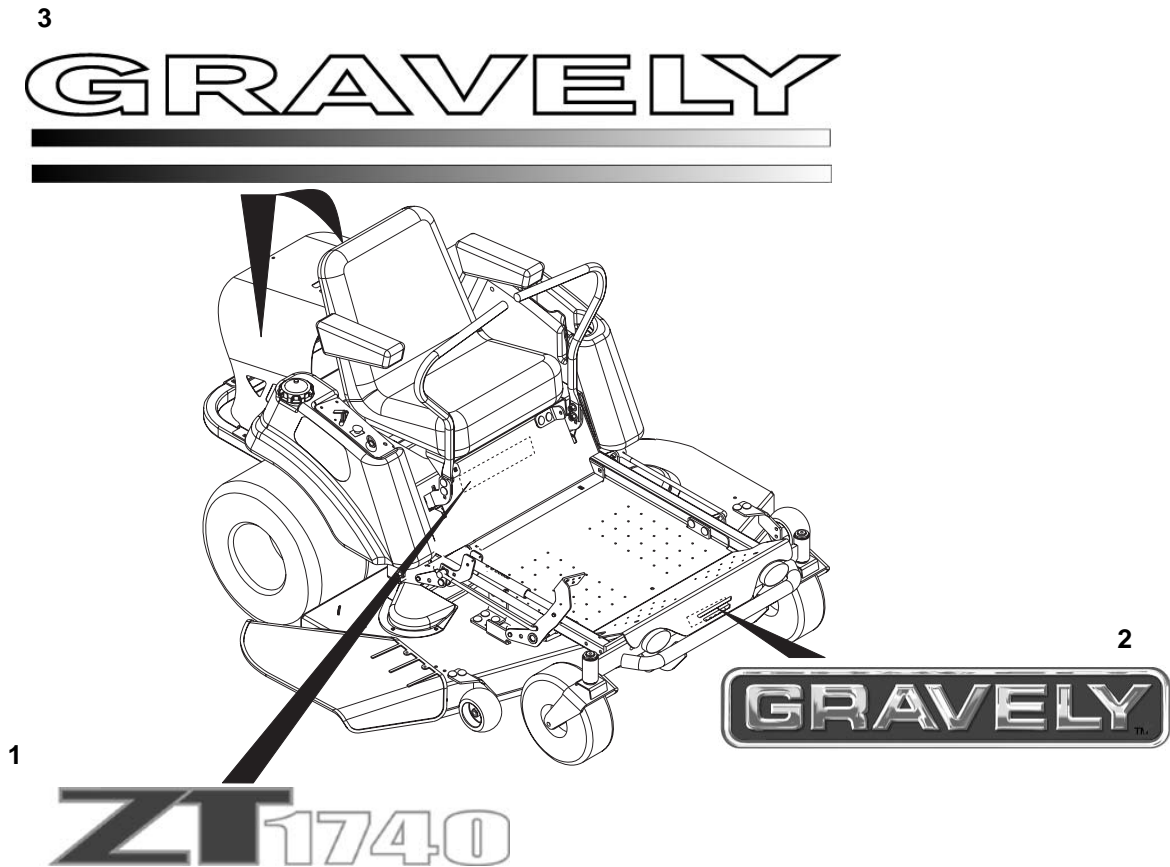


Item	Part No.	Qty.	Description
1	05305100	1	Decal, American Flag
2	05305000	1	Decal, Trailer Hitch
3	05305200	2	Decal, Transmission Disconnect
4	05301400	1	Decal, Control
5	05233900	1	Decal, Fuel Valve
6	07757600	1	Decal, Instructional Steering
7	07731400	2	Decal, Mower Pan Head Danger
8	07742300	1	Decal, Warning
9	05304900	1	Decal, Cut Height Zoom
10	05301500	1	Decal, Bilingual Danger
11	07757500	1	Decal, Parking Brake Lever
12	07735200	1	Decal, Danger
13	07754100	1	Decal, Hot Surface
14	08088400	1	Decal, Cut Height

PE0790

# DECALS-STYLE

Model 915044, 046, 048, 050

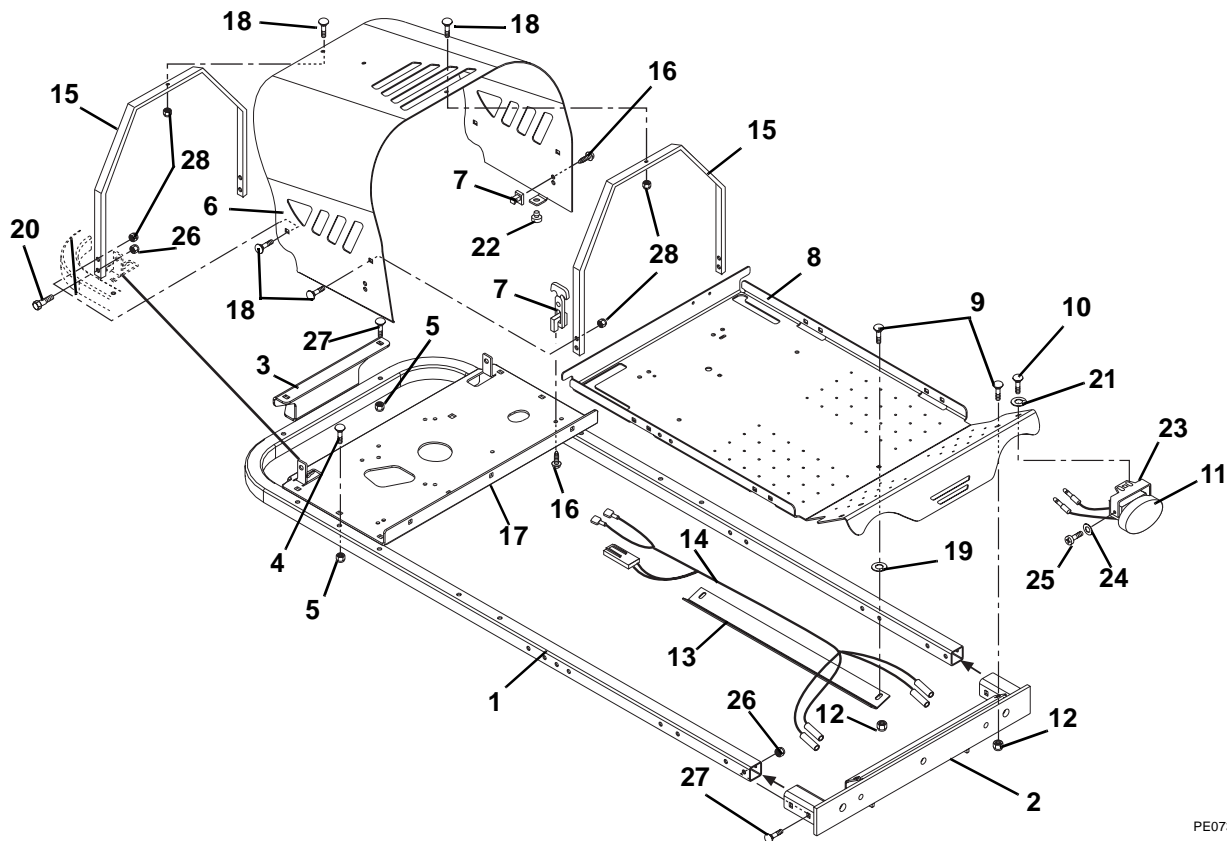


PE0800

Item	Part No.	Qty.	Description
1	05306400	1	Decal ZT 1740 (044)
	05306500	1	Decal-ZT 1944 (046)
	05306600	1	Decal-ZT 2148 (048)
	05306700	1	Decal-ZT 2352 (050)
2	05223900	1	Decal-Gravely Jewel
3	05304300	2	Decal, ZT Hood

# FRAME, HOOD AND FOOTREST

Model 915044, 046, 048, 050

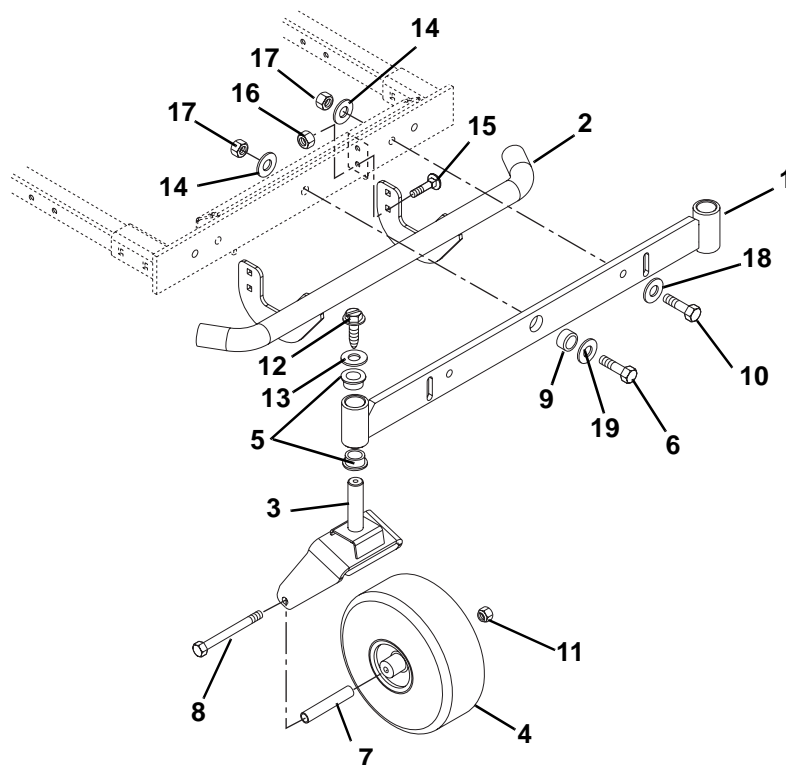


PE0731

Item	Part No.	Qty.	Description
1	01581251	1	Tube, Frame
2	01600951	1	Weldment, Axle Mount
3	51512800	1	Trailer Hitch with Decal
4	06224400	6	Bolt, Round Head Square Neck .38-16 x 2.5 Grade 5
5	06545500	10	Nut .38-16 Flange Nyloc
6	01605053	1	Hood, Zoom
7	09079500	2	Latch, Rubber
8	01578353	1	Footrest
9	06216100	4	Bolt, Round Head Square Neck .31-18 x 1.00 Grade 5
10	039062	2	Screw-Cap Button Head .31-18 x .50 Grade 5
11	01588200	2	Assembly, Light (Includes Halogen H3 12 Volt 55 Watt Bulb)
12	06545400	4	Nut .312-18 Flange Nyloc
13	01589951	1	Bracket, Harness
14	01587900	1	Harness, Light
15	01605151	2	Brace, Hood
16	06116700	6	Screw-Machine 10-24 x .50 Hex Washer Head
17	00183651	1	Plate, Engine
18	06212200	6	Bolt, Round Head Square Neck .31-18 x .62
19	06439100	2	Washer, Flat Steel .38 x .87 x .179
20	07056700	2	Bolt, Shoulder .375-16 x .135
21	06308600	2	Washer, Locking .31 x .078 Regular
22	07516000	2	Button Bumper
23	01603100	2	Bracket, Light
24	06311200	4	Washer, Locking 4MM x 1MM Regular Cone Lock
25	05980400	4	Screw, Socket Head Cap M4 x .07 x 8
26	06542000	6	Nut-Locking-Top-Flange .38-16
27	06213400	8	Bolt-Round Head Square Neck .38-16 x 2.25 Grade 5
28	06543100	6	Nut-Locking-Top-Flange .31-18

# FRONT AXLE, TIRES AND BUMPER

Model 915044, 046, 048, 050

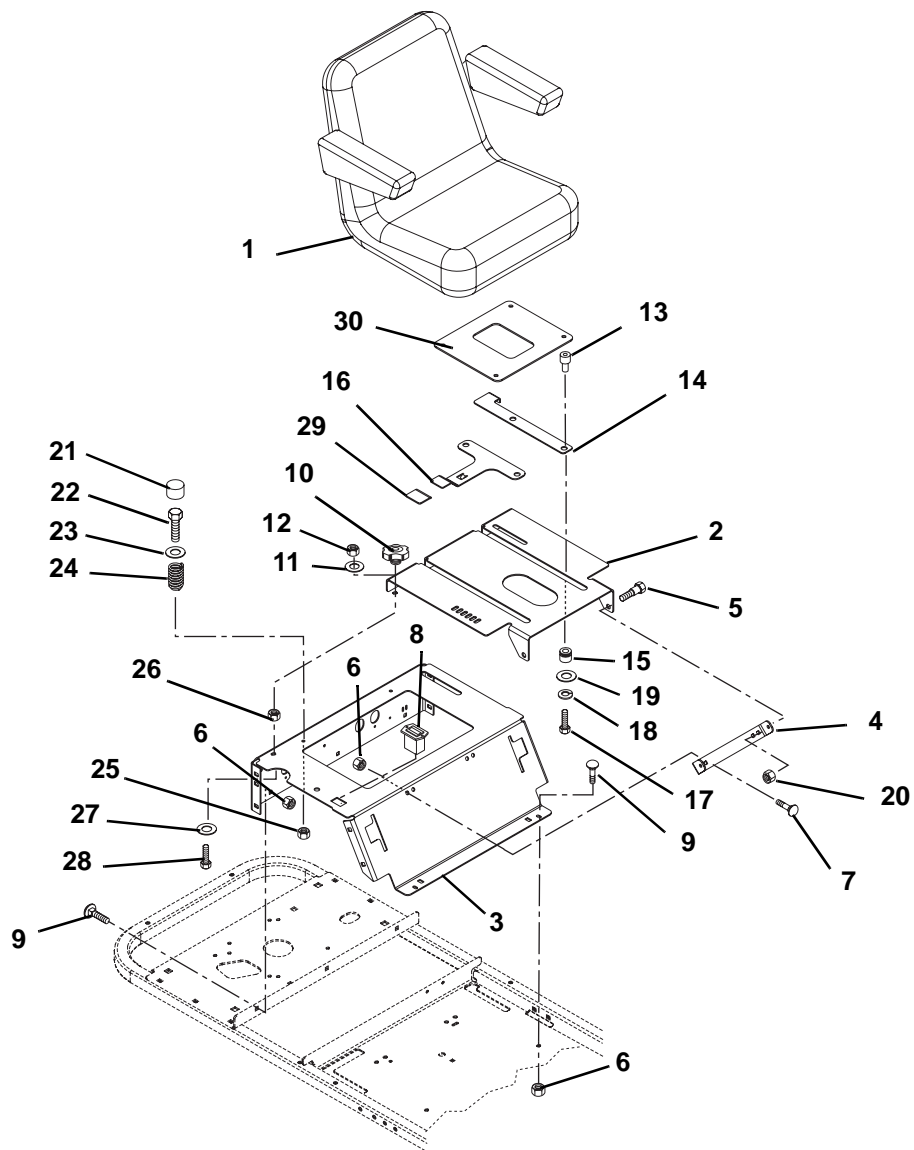


PE0740

Item	Part No.	Qty.	Description
1	01600851	1	Weldment, Front Axle
2	01589551	1	Bumper, Zoom
3	01547051	2	Fork, Caster
4	01588100	2	Assembly, Tire 4 x 11- 2 Ply
5	05533600	4	Bushing, Flange 1.00 x 1.25 x 1.50 x 1.50
6	05969300	1	Bolt, Hex .62-11 x 2.50 Grade 5
7	09105200	2	Bushing, Caster Fork
8	05964400	2	Bolt, Hex .50-13 x 6.50 Grade 5
9	01600400	1	Bushing, Axle Pivot
10	05979900	2	Bolt, Shoulder .75 .625-11 x 2.25 Socket Head Cap Skrew
11	06543600	2	Nut, Locking Top Flange .50-13
12	07417100	2	Screw, Tapping .38-16 x 1.25 Hex Washer Head
13	06443400	2	Washer-Flat-Steel .380 x 1.50 x .125
14	06435200	3	Washer, Flat .64 x 1.81 x .25
15	06223600	4	Bolt, Round Head Square Neck .38-16 x 1.00 Grade 5
16	06545500	4	Nut .38-16 Flange Nyloc
17	06540700	3	Nut, Locking Nylon .625-11
18	06439000	2	Washer, Flat Steel .812 x 1.50 x .135
19	06442900	1	Washer, Flat Steel .688 x 1.75 x .134

# SEAT AND SEAT SUPPORT

Model 915044, 046, 048, 050



PE0811



# SEAT AND SEAT SUPPORT

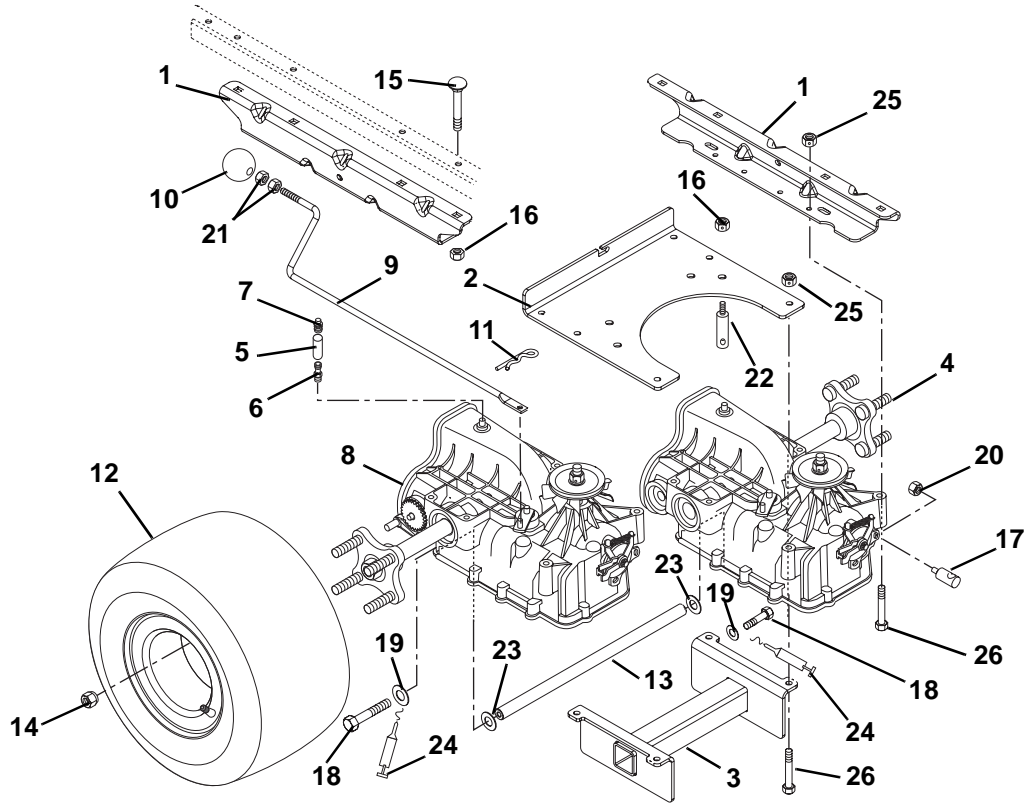
---

Model 915044, 046, 048, 050

Item	Part No.	Qty.	Description
1	00190900	1	Seat
2	00182751	1	Seat Plate
3	00183351	1	Seat Support
4	00174151	1	Bracket, Seat Plate
5	07056700	2	Bolt, Shoulder .375-16 x .135
6	06545500	7	Nut .38-16 Flange Nyloc
7	06223600	2	Bolt, Round Head Square Neck .38-16 x 1.00 Grade 5
8	04935700	1	Hour Meter, Quartz
9	06223600	5	Bolt, Round Head Square Neck .38-16 x 1.00 Grade 5
10	07534800	1	Knob, Clamping .312-18 Nyloc
11	06437500	1	Washer-Flat-Steel .328 x 1.00 x .094
12	06530200	1	Nut, Locking Nylon .312-18
13	00182100	4	Spacer, Seat Top
14	00181351	1	Seat Stop
15	00183100	4	Spacer, Seat Bottom
16	00183200	1	Lever, Seat Adjustment
17	05963700	4	Bolt-Hex .31-18 x 2.25 Grade 5
18	06308600	4	Washer-Locking .31 x .078 Regular
19	06439700	4	Washer-Flat-Steel .344 x 1.375 x .075
20	06542000	2	Nut-Locking-Top-Flange .38-16
21	036202	2	Hub Cap
22	05946900	2	Bolt-Hex .31-18 x 1.00 Grade 5
23	06437500	2	Washer-Flat-Steel .328 x 1.0 x .094
24	00571600	2	Spring, Compression 2.9L x 2.02OD 200LB
25	06545400	2	Nut .312-18 Flange Nyloc
26	06530400	1	Nut-Spin Lock-Flange .312-18
27	06439200	1	Washer-Flat-Steel .505 x 1.00 x .062
28	06221300	1	Bolt-Round Head Square Neck .31-18 x 3.50 Grade 5
29	00189000	1	Grip
30	00250751	1	Seat Support Plate

# TRANSAXLE, DUMP VALVES AND REAR WHEELS

Model 915044, 046, 048, 050

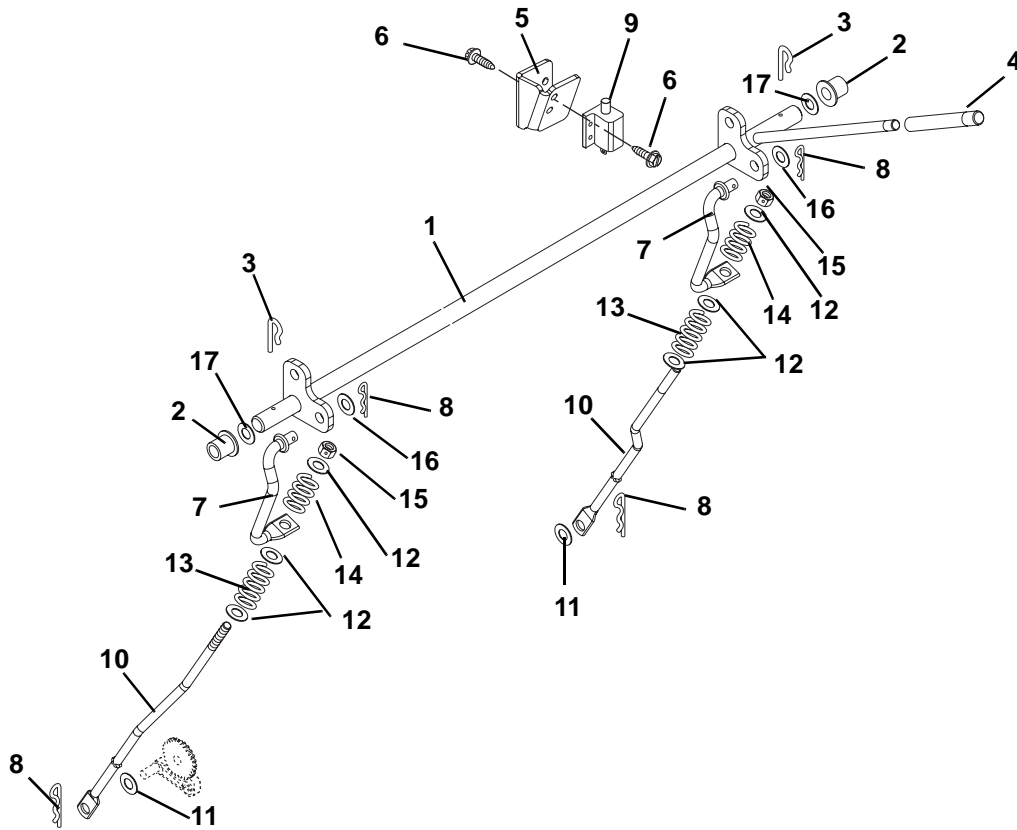


PE0750

Item	Part No.	Qty.	Description
1	01577951	2	Bracket, Transmission Axle
2	01578051	1	Bracket, Transmission Axle Support
3	01578151	1	Weldment, Transmission Axle Brace
4	01588900	1	Transaxle, Left Hand
5	01543100	2	Hose, Vent
6	07026300	2	Fitting, Straight .50 O-Ring Hydro-Gear
7	07026400	2	Cap, Vent .50 Hydro-Gear
8	01589000	1	Transaxle, Right Hand
9	01581600	2	Rod, Dump IZT
10	07515900	2	Knob
11	06714800	2	Pin, Hair
12	01587800	2	Assembly, Tire 9.5 x 18-2 Ply (046, 048, 050)
	01588700	2	Assembly, Tire 8.5 x 18 2 Ply (044)
13	01578200	1	Rod, Axle Brace
14	06535000	8	Nut, Lug .50-20
15	06213400	4	Bolt, Round Head Square Neck .38-16 x 2.25 Grade 5
16	06545500	5	Nut, .38-16 Flange Nyloc
17	01568600	2	Rod Pivot
18	05952600	2	Bolt, Hex .31-18 x 2.50 Grade 5
19	06308600	2	Washer, Locking .31 x .078 Regular
20	06545400	2	Nut .312-18 Flange Nyloc
21	06536100	4	Nut, Jam .312-18
22	03622900	1	Shoulder Stud
23	06439100	2	Washer, Flat Steel .38 x .87 x .179
24	00929200		Adhesive Sealant
25	06545400	12	Nut-.31-18 Flange Nyloc
26	05960600	12	Bolt-Hex .31-18 x 2.75 Grade 5

# PARKING BRAKE

Model 915044, 046, 048, 050

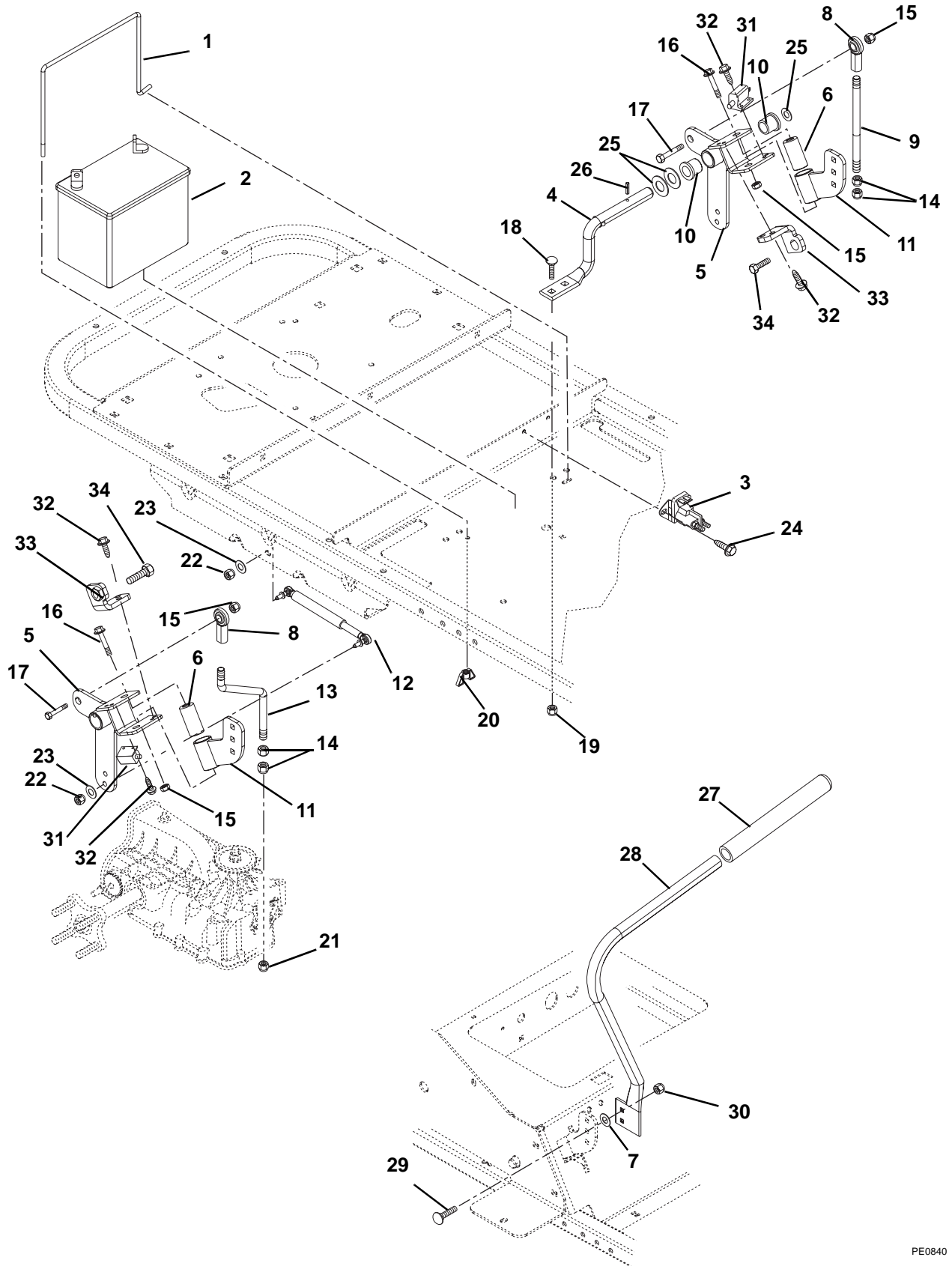


PE0831

Item	Part No.	Qty.	Description
1	01604100	1	Weldment, Zoom Brake Rod
2	045787	2	Bushing, Flange .63 x 1.00 x .625 Nylon
3	06714500	2	Pin, Spring Clip
4	043197	1	Grip, Hand Clutch Lever
5	00183700	1	Bracket, Brake Switch
6	07415800	4	Screw, Tapping 10-24 x .50 Hex Washer Head
7	01589200	2	Rod, Over Center
8	06714800	4	Pin, Hair
9	03095700	1	Switch, Interlock NC
10	01589100	2	Rod, Park Brake
11	06444000	2	Washer, Flat Steel .406 x 1.00 x .188
12	06437200	6	Washer, Flat Steel .344 x .688 x .065
13	08300600	2	Spring, Compression .045 x .50 x 1.187
14	039611	2	Spring, Compression .063 x .53 x 1.187
15	06530200	2	Nut, Locking Nylon .312-18
16	06436200	2	Washer, Flat Steel .406 x .812 x .065
17	06408900	2	Washer, Flat Steel .627 x .99 x .032

# STEERING CONTROLS

Model 915044, 046, 048, 050



PE0840

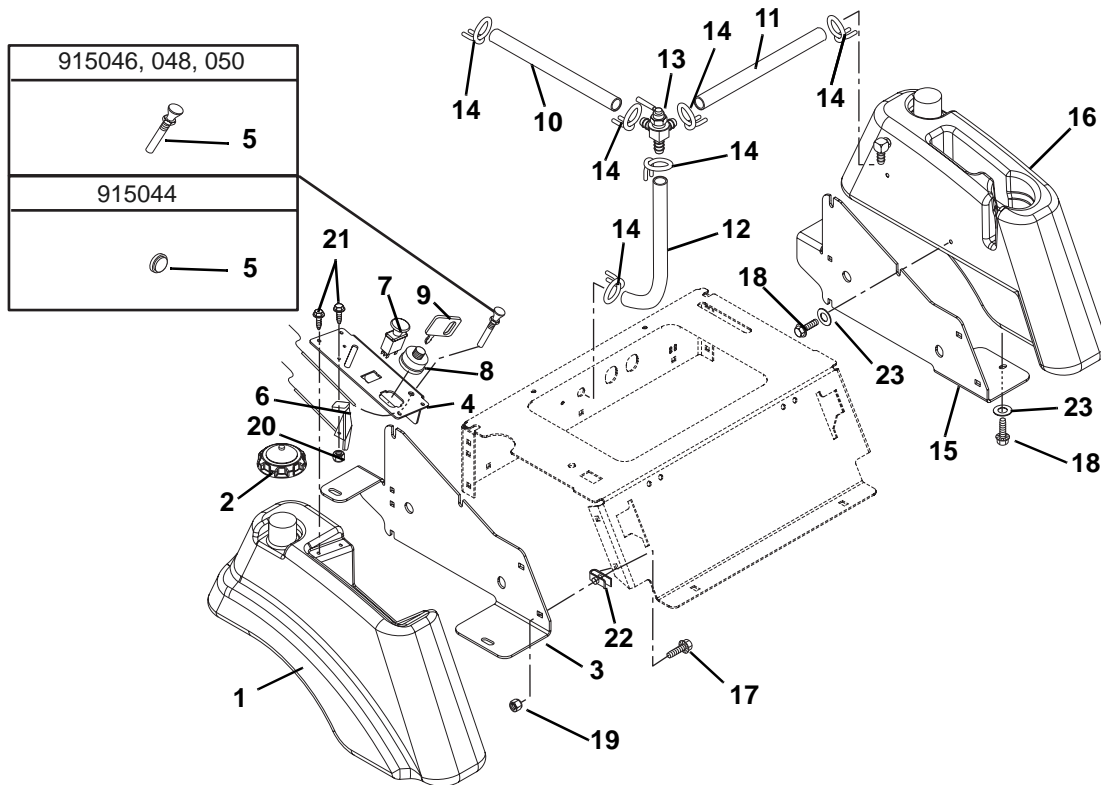
# STEERING CONTROLS

Model 915044, 046, 048, 050

Item	Part No.	Qty.	Description
1	01533400	1	Battery Rod
2	01554800	1	Battery (12 Volt, 330 CCA, 50 Min. Reserve Cap.)
3	03679000	1	Solenoid
4	01581800	2	Rod Pivot
5	01604300	2	Weldment, Control
6	01581700	2	Spacer
7	06307200	4	Washer, Locking Extenal .326 x .599 x .031
8	050350	2	Rod End, .50 Right Hand
9	01569600	1	Rod, Transaxle Left Hand
10	01591100	4	Bushing 1.00 x .75 x 1.00
11	01604400	2	Weldment, Handlebar
12	00188700	2	Damper
13	01569500	1	Rod, Transaxle Right Hand
14	06539500	4	Nut, Jam .50-20 Grade 2
15	06543600	4	Nut, Locking Top Flange .50-13
16	05959900	2	Bolt, Hex .50-13 x 3.00 Grade 5
17	05962000	2	Bolt, Hex .50-13 x 1.50 Grade 5
18	06223600	4	Bolt, Round Head Square Neck .38-16 x 1.00 Grade 5
19	06545500	4	Nut .38-16 Flange Nyloc
20	06537500	1	Nut, Locking Wing .25-20
21	06544000	2	Nut, Jam Nyloc .50-20 Grade 2
22	06538600	4	Nut, Hex M8-1.25
23	06308600	4	Washer, Locking .31 x .078 Regular
24	07411600	2	Screw, Tapping .25-20 x .37 Hex Washer Head
25	06444100	6	Washer, Flat Steel .754 x 1.00 x .032
26	036146	2	Pin, Roll .188 x 1.13
27	00188900	2	Grip, Handlebar
28	01598551	1	Handlebar, Right Hand
	01598651	1	Handlebar, Left Hand
29	06209500	4	Bolt, Round Head Square Neck .31-18 x .88 Grade 5
30	06545400	4	Nut .312-18 Flange Nyloc
31	03606600	2	Switch, Double Pole N.O./N.O.
32	07415800	8	Screw, Tapping 10-24 x .50 Hex Washer Head
33	00184400	2	Weldment, Handle Stop
34	05900004	2	Screw-Socket Head .25-20X1.25

# FUEL TANK

Model 915044, 046, 048, 050



PE0820

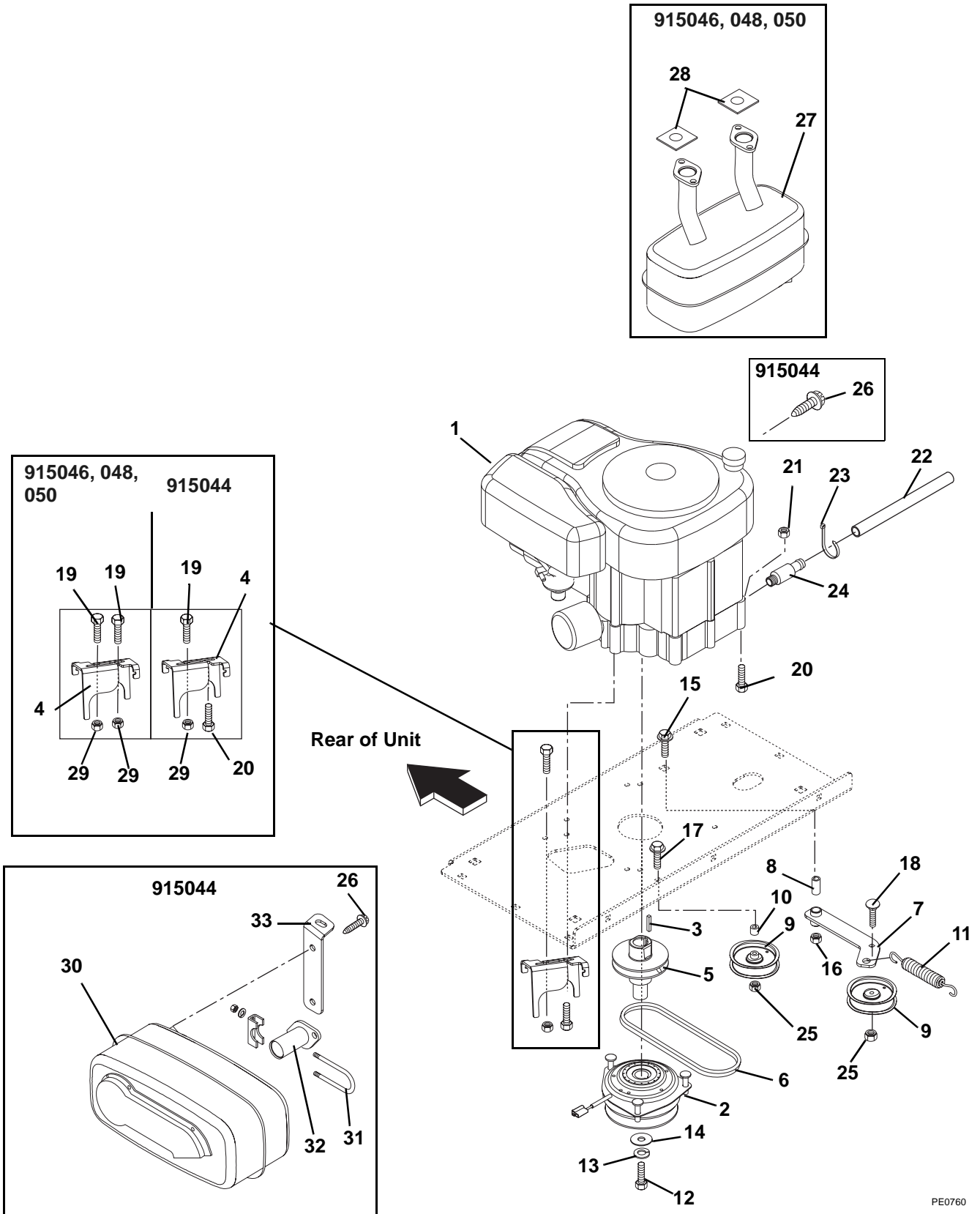
Item	Part No.	Qty.	Description
1	01575800	1	Tank, Fuel - Right Hand
2	01538400	2	Fuel Cap
3	01578751	1	Seat Plate/Tank Support Right Hand
4	01579451	1	Bracket, Control
5	01588400	1	Choke Cable (046, 048, 050)
	00529900	1	Hole Plug, Plastic .44 Hole (044)
6	01588500	1	Throttle Cable (046, 048, 050)
	01588600	1	Throttle Cable (044)
7	01545600	1	Switch, Clutch
8	01588300	1	Key Switch
9	02460700	1	Key with Cap
10	021134	2	Gas Line, Bulk .25 I.D. x 26.5 Long
11	021134	2	Gas Line, Bulk .25 I.D. x 38 Long
12	021134	1	Gas Line, Bulk .25 I.D. x 17 Long (046, 048, 050)
	021134	1	Gas Line, Bulk .25 I.D. x 14 Long (044)
13	09258200	1	Valve, Fuel
14	06939100	6	Clamp, Hose Wire .490/.510 x .116
15	01578851	1	Seat Plate Left Hand
16	01575700	1	Tank, Fuel - Left Hand
17	06223600	8	Bolt, Round Head Square Neck .38-16 x 1.00 Grade 5
18	07049600	8	Bolt, Serrated Hex Flange Washer Head .312-18 x .75
19	06545500	8	Nut .38-16 Flange Nyloc
20	06536000	2	Nut, Locking Nylon 10-24 with Insert
21	06116700	6	Screw, Machine 10-24 x .50 Hex Washer Head
22	00548400	10	Retainer .38 Push-On
23	06437500	8	Washer, Flat Steel .328 x 1.00 x .094

# NOTES

---

# ENGINE, EXHAUST, BELTS AND IDLERS

Model 915044, 046, 048, 050



PE0760



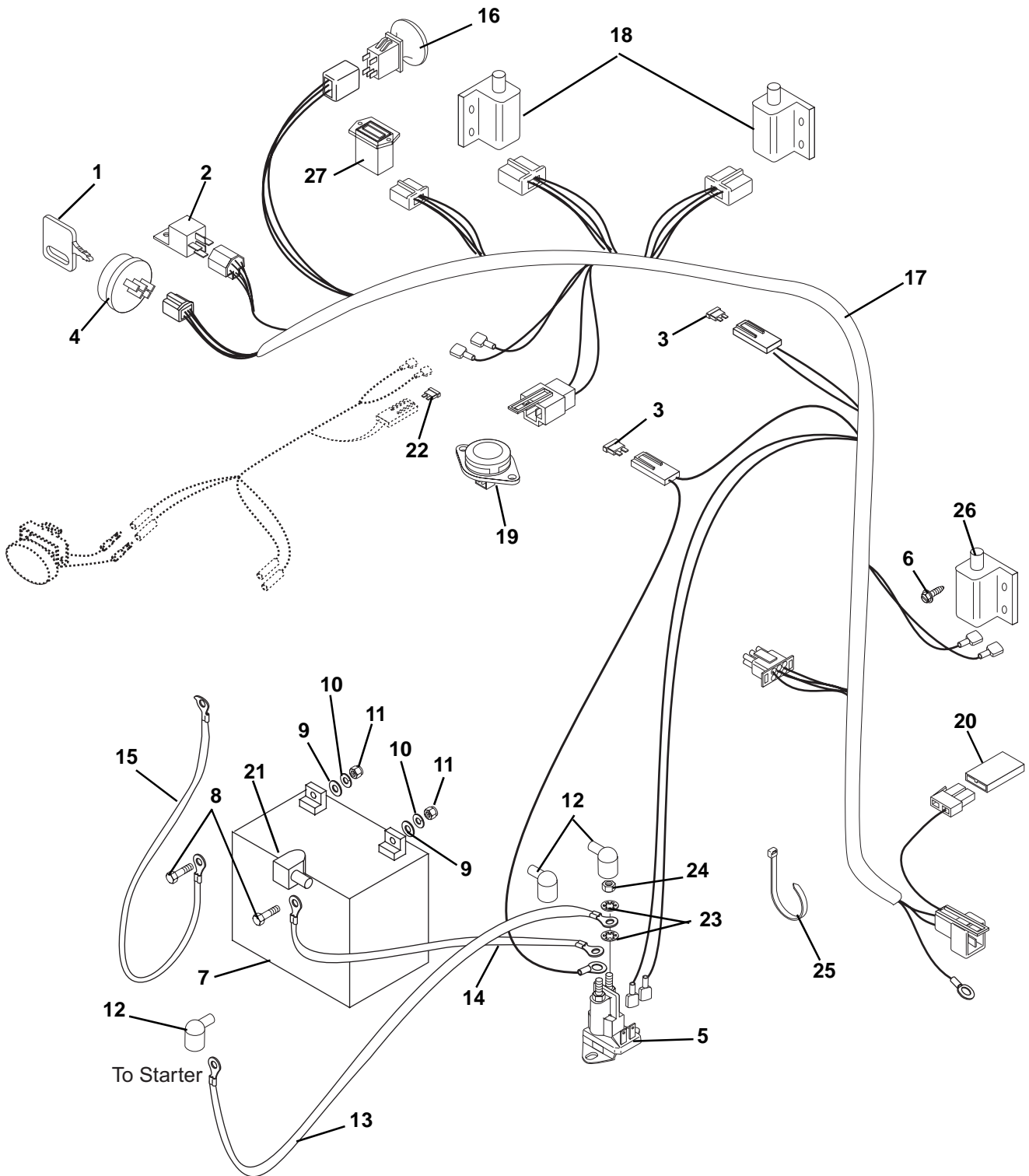
# ENGINE, EXHAUST, BELTS AND IDLERS

Model 915044, 046, 048, 050

Item	Part No.	Qty.	Description
1	08200005	1	17 HP Kohler (044)
	08200006	1	19 HP Kohler (046)
	08200008	1	21 HP Kohler (048)
	08200008	1	23 HP Kohler (050)
2	04915400	1	Clutch, Electric
3	06604300	1	Key, Square .25 x 1.50 x .25 SAE 8630 OR SAE 1035
4	00167551	1	Clutch Stop
5	01602500	1	Extension Shaft
6	07241400	1	V-Belt
7	00186300	1	Weldment, Idler
8	05516400	1	Bushing, Sleeve .50 x .75 x 1.56
9	07312500	2	Pulley, Idler 4.00
10	00186400	1	Spacer
11	08336100	1	Spring, Extension
12	05966700	1	Bolt, Hex .44-20 x 4.50 Grade 8
13	06309300	1	Washer, Locking .44 x .109 Regular
14	06443600	1	Washer, Flat Steel .469 x 2.00 x .25
15	05966600	1	Bolt-Hex .50-13 x 2.50 Grade 5
16	06543600	1	Nut, Locking Top Flange .50-13
17	06224300	1	Bolt-Round Head Square Neck .38-16 x 2.00 Grade 5
18	06224100	1	Bolt-Round Head Square Neck .38-16 x 1.25 Grade 5
19	05948700	1	Bolt-Hex .38-16 x 1.00 Grade 5 (044)
	05948700	2	Bolt-Hex .38-16 x 1.00 Grade 5 (046, 048, 050)
20	05957400	4	Bolt-Hex .31-18 x 1.75 Grade 5 (046, 048, 050)
	07414100	4	Screw-Tapping .38-16 x 1.00 Hex Washer Head Thread (044)
21	06545400	5	Nut .31-18 Flange Nyloc (046, 048, 050)
22	00191400	1	Tube, Oil Drain
23	036313	1	Cable Tie
24	07067800	1	Valve, Oil Drain
25	06537200	2	Nut, Locking, Jam, Center .375-16
26	07412000	1	Screw, Tapping .25-20 x .50 Hex Washer Head (044)
27	00185300	1	Muffler (046, 048, 050)
28	03805200	2	Reflective Heat Sheet 3 x 5 (046, 048, 050)
29	06545500	2	Nut-.38-16 Flange Nyloc (046, 048, 050)
	06545500	1	Nut-.38-16 Flange Nyloc (044)
30	00182400	1	Muffler (044)
31	00255400	1	Muffler Clamp (044)
32	00253900	1	Weldment, Manifold (044)
33	00255051	1	Muffler Bracket (044)

# ELECTRICAL SYSTEM

Model 915044, 046, 048, 050



PE0900

# ELECTRICAL SYSTEM

---

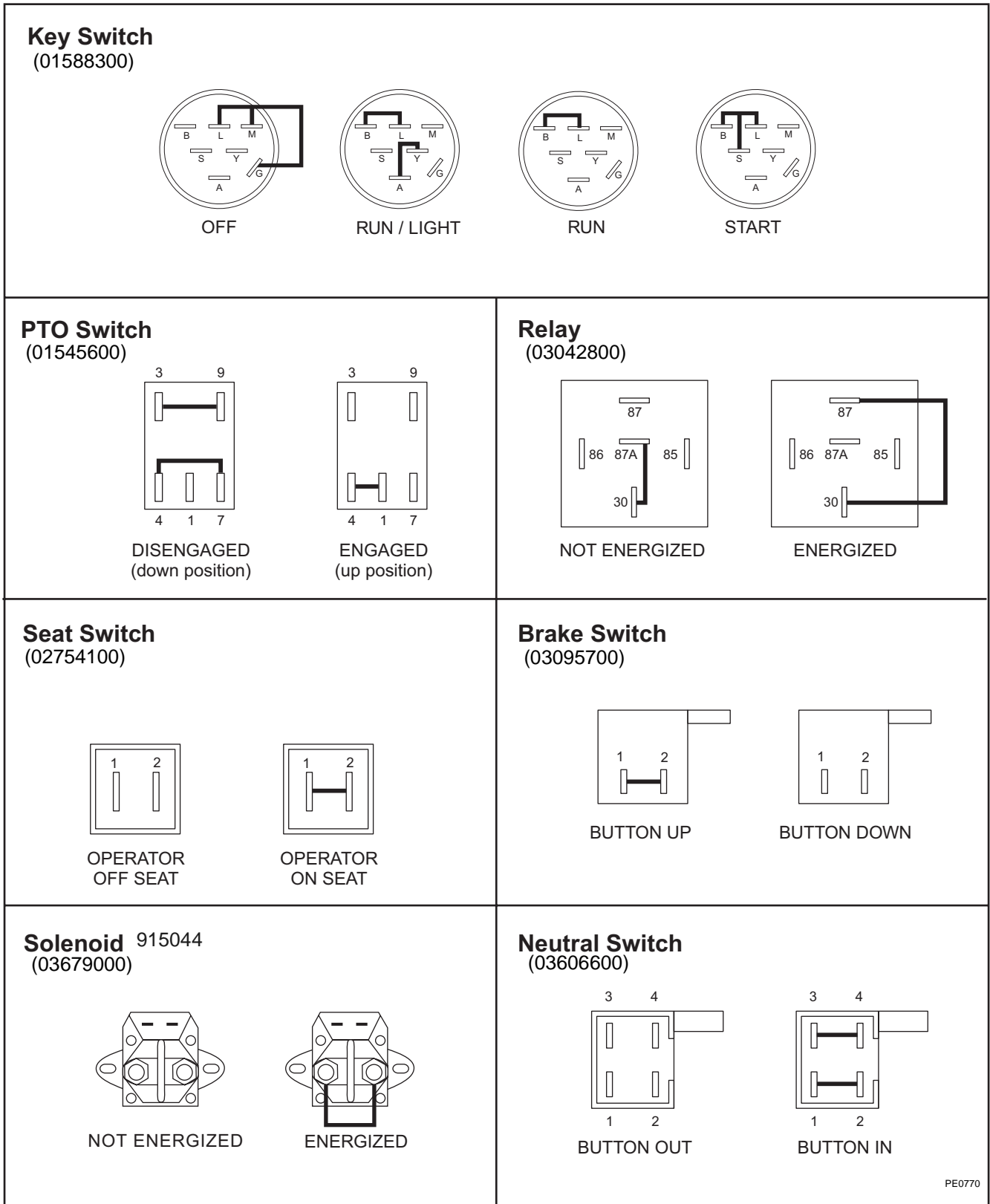
Model 915044, 046, 048, 050

Item	Part No.	Qty.	Description
1	02460700	1	Key with Cap
2	040216	1	Relay
3	09351100	1	Fuse, 25 AMP
4	01588300	1	Key Switch
5	03679000	1	Solenoid (044)
6	07415800	6	Screw, Tapping 10- 24 x .50 Hex Washer Head
7	01554800	1	Battery, Filled
8	05946800	2	Bolt, Hex .25-20 x .75 Grade 5
9	06437300	2	Washer, Flat Steel .281 x .62 x .065
10	06308400	2	Washer, Locking .25 x .062 Regular
11	06533200	2	Nut, Hex .25-20
12	07533200	3	Boot, Eyelet Terminal (044)
	07533200	1	Boot, Eyelet Terminal (046, 48, 50)
13	02743300	1	Starter Cable 22"
14	02727200	1	Starter Cable 13" (044)
15	036314	1	Ground Cable
16	01545600	1	Switch, Clutch With Retainer
17	01602900	1	Wire Harness, Zoom 6 Pin
18	03606600	2	Switch, Double Pole N.O./N.O.
19	02754100	1	Switch, Snap Mounting (N.O.)
20	09293500	2	Diode, Connector Shell
21	039619	1	Insulator
22	09356600	1	Fuse, 10 AMP
23	06310500	4	Washer, Locking .31 (044)
24	06536700	2	Nut, Jam .31-24 (044)
25	036313	1	Cable Tie
26	03095700	1	Switch, Interlock NC
27	04935700	1	Hour Meter

# CONTINUITY DIAGRAM

## Model 915044, 046, 048, 050

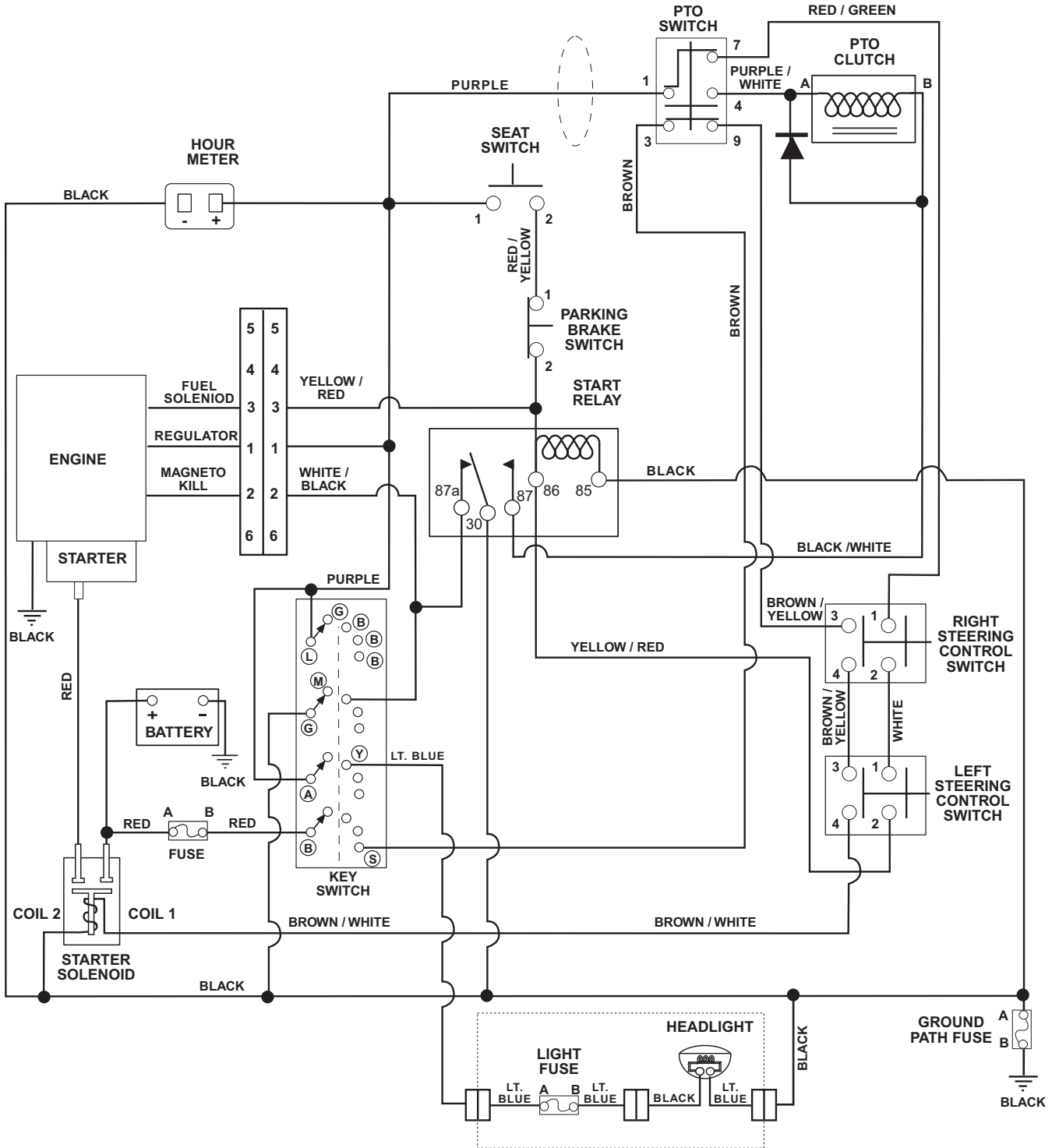
The diagrams below show the various states of connection for electrical components.  
 The solid lines on switches show continuity.  
 NOTE: All switches are viewed from the rear.



PE0770

# WIRING DIAGRAM

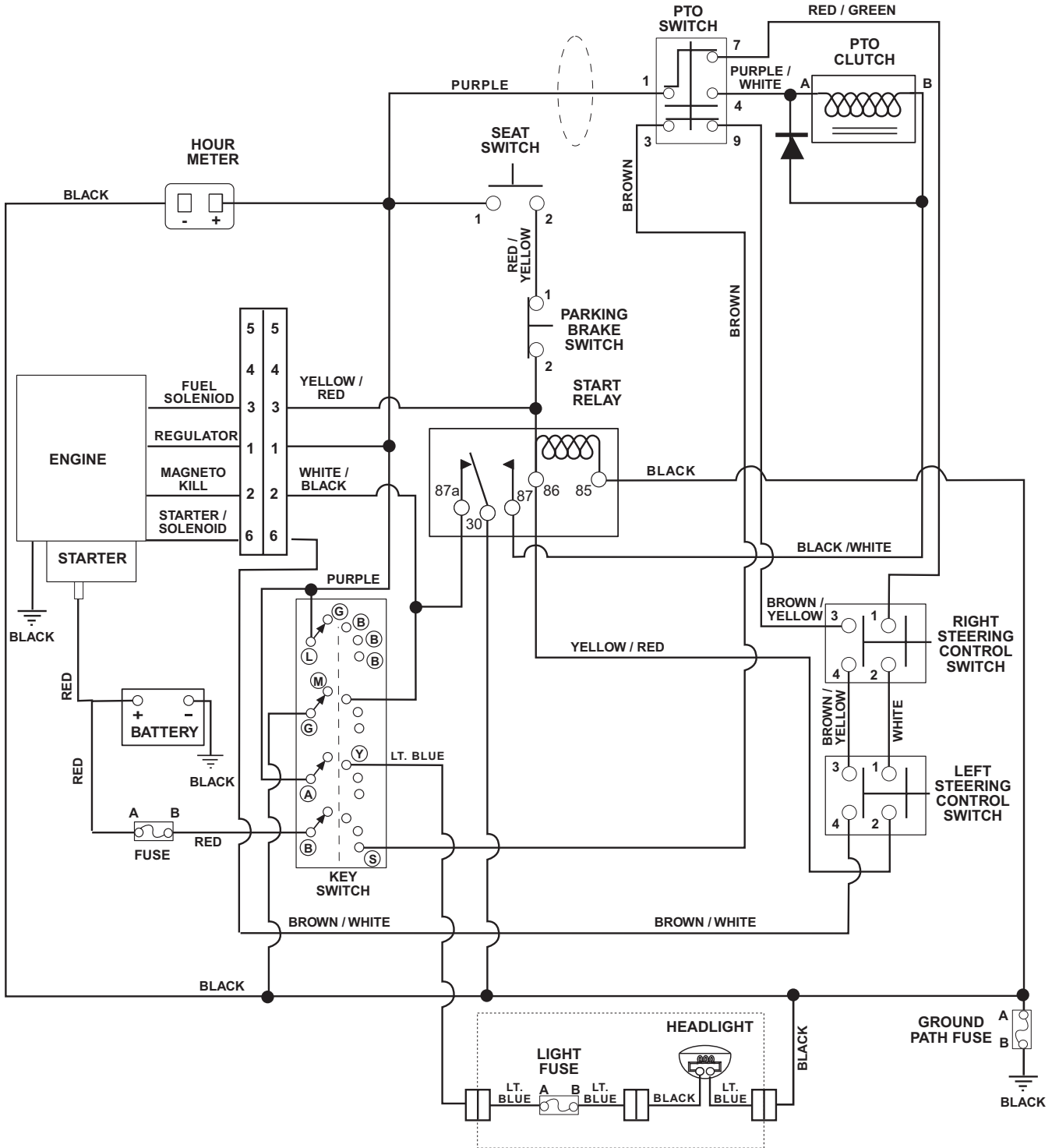
Model 915044



PE0780

# WIRING DIAGRAM

Model 915046, 048, 050



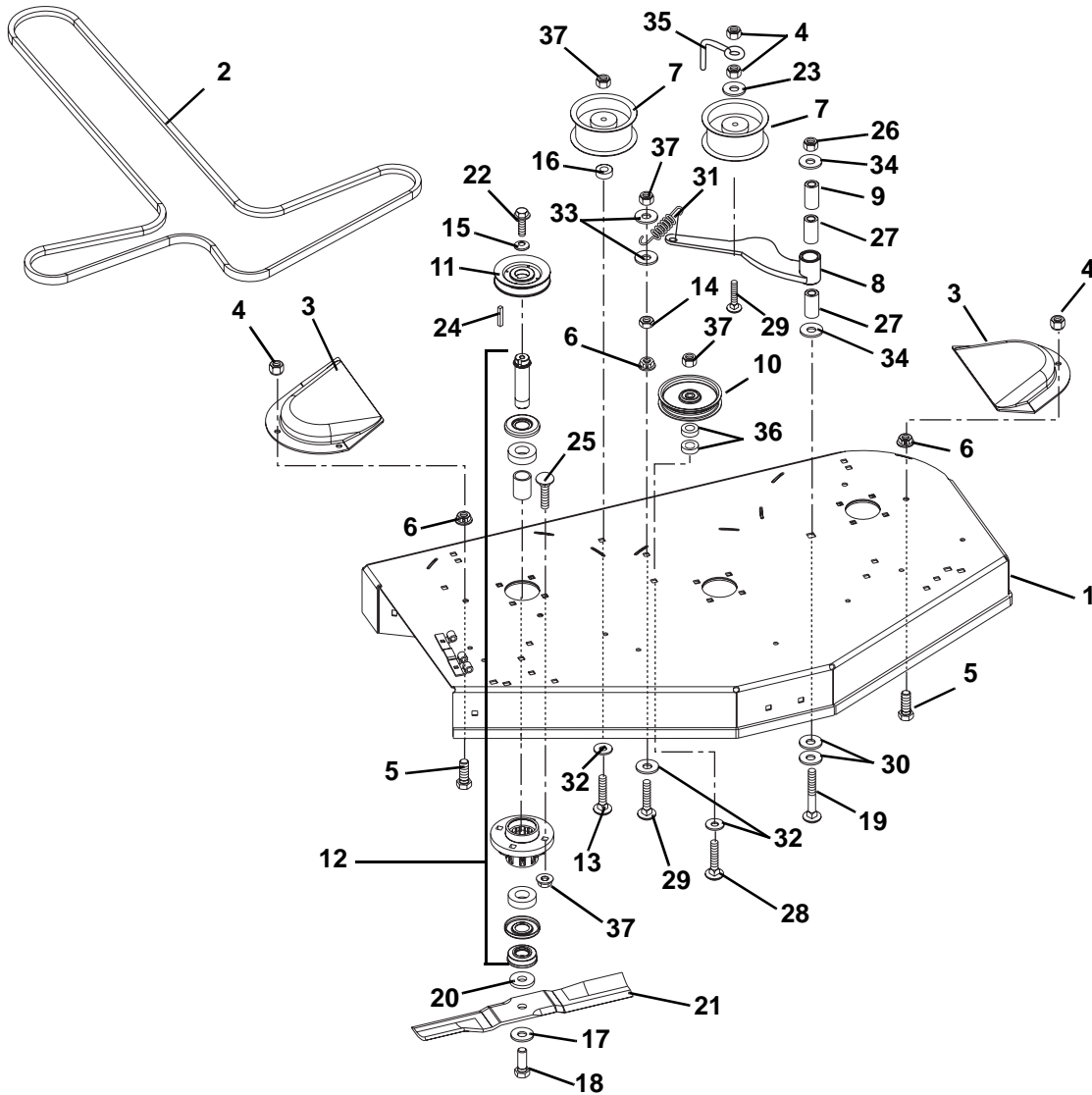
PE0780

# NOTES

---

# MOWER DECK, BELT, IDLERS AND BLADES

Model 915044, 046, 048, 050



PE0870

Item	Part No.	Qty.	Description
1	51508800	1	40" Mower Deck with Decals (044)
	51508900	1	40" Mower Deck Assembly Complete (044)
	51509000	1	44" Mower Deck with Decals (046)
	51509100	1	44" Mower Deck Assembly Complete (046)
	51509200	1	48" Mower Deck with Decals (048)
	51509300	1	48" Mower Deck Assembly Complete (048)
	51509400	1	52" Mower Deck with Decals (050)
	51509500	1	52" Mower Deck Assembly Complete (050)
2	07241800	1	V-Belt (044)
	07241700	1	V-Belt (046)
	07241500	1	V-Belt (048)
	07241600	1	V-Belt (050)



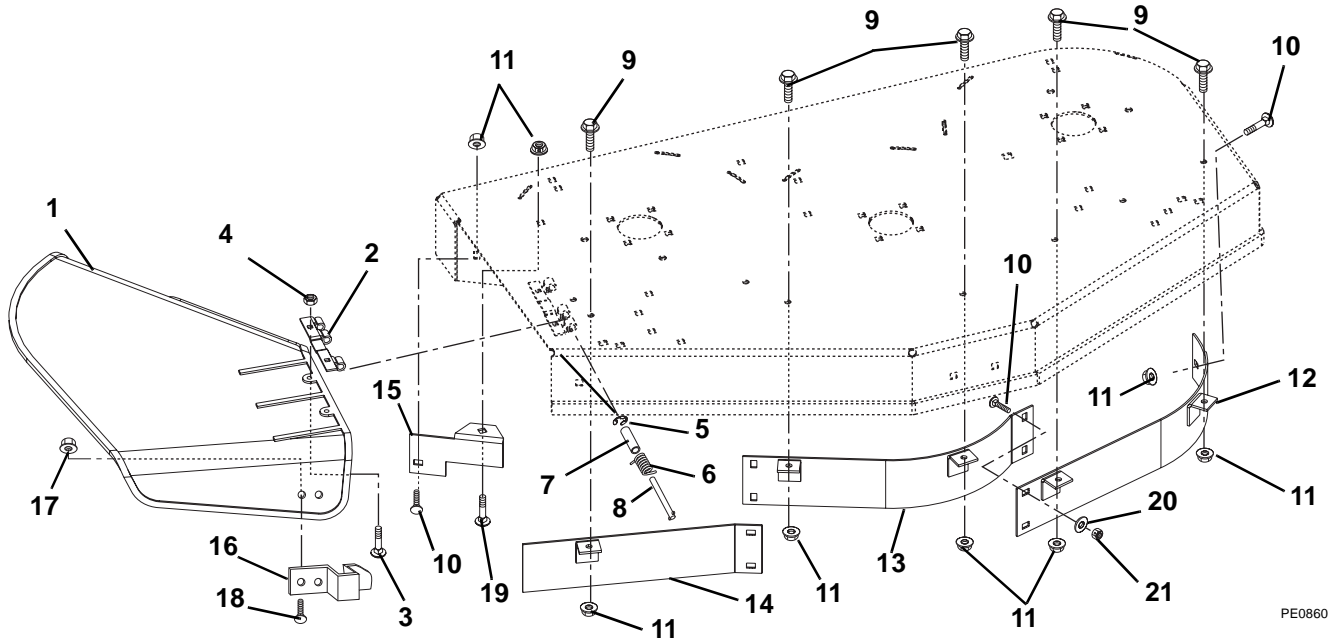
# MOWER DECK, BELT, IDLERS AND BLADES

Model 915044, 046, 048, 050

Item	Part No.	Qty.	Description
3	01520100	2	Cover
4	06545500	6	Nut .38-16 Flange Nyloc
5	05980200	4	Bolt, Hex .38-16 x 1.00 Grade 5
6	06534900	5	Nut-Flange .375-16
7	07324100	2	Idler, Flanged 3.50
8	01600100	1	Weldment, Idler Arm
9	01581700	1	Spacer, Powdered Metal
10	07312500	1	Idler, Flat 4.00 x .38
11	01593800	3	Sheave, Spindle 4.00 Dia. (044)
	01593700	3	Sheave, Spindle 4.75 Dia. (050)
	01599400	3	Sheave, Spindle 4.25 Diameter (046)
	01599500	3	Sheave, Spindle 4.50 Diameter (048)
12	51510000	3	Assembly, Spindle
13	06213400	1	Bolt, Round Head Square Neck .38-16 x 2.25 Grade 5
14	06537200	1	Nut, Hex Jam Center .375-16
15	00597000	3	Washer, Cupped, Serrated .375
16	01594000	1	Spacer, Idler
17	06445700	3	Washer, Bellville .63 x 1.625 x .140
18	05978900	3	Bolt, Hex .62-18 x 1.75 Grade 8
19	06225000	1	Bolt, Round Head Square Neck .50-13 x 3.50 Grade 5
20	06435200	3	Washer, Flat .64 x 1.81 x .25
21	014668	3	Blade, Mower (13.88) (044)
	01593900	3	Blade, Mower (15.50) (046)
	04919100	3	Blade, Mower (16.25) (048)
	04916400	3	Blade, Mower (18.00) (050)
22	05974500	3	Bolt, Hex .38-16 x 1.00 Grade 8 with Epoxy Patch
23	06444000	1	Washer-Flat-Steel .406 x 1.00 x .188
24	06611100	3	Key, Square .25 x .38 x .25
25	06224100	12	Bolt, Round Head Square Neck .38-16 x 1.25
26	06543600	1	Nut, Locking Top Flange .50-13
27	05435800	2	Bearing, 1.00 x 1.12 x .75
28	06223800	1	Bolt, Round Head Square Neck .38-16 x 1.75 Grade 5
29	06225400	2	Bolt, Round Head Square Neck .38-16 x 2.75 Grade 5
30	06441500	2	Washer, Flat Steel .755 x 1.375 x .062
31	08337900	1	Spring, Extension
32	06442000	3	Washer, Flat Steel .563 x 1.38 x .109
33	446470	2	Washer, Flat Steel .375 x 1.125 x .065
34	06445000	2	Washer, Flat Steel .515 x 1.625 x .25
35	03648300	1	Finger, Belt
36	06443400	2	Washer, Flat Steel .38 x 1.50 x .125
37	06545500	15	Nut, .38-16 Flange Nyloc

# BAFFLES AND CHUTE

Model 915044, 046, 048, 050

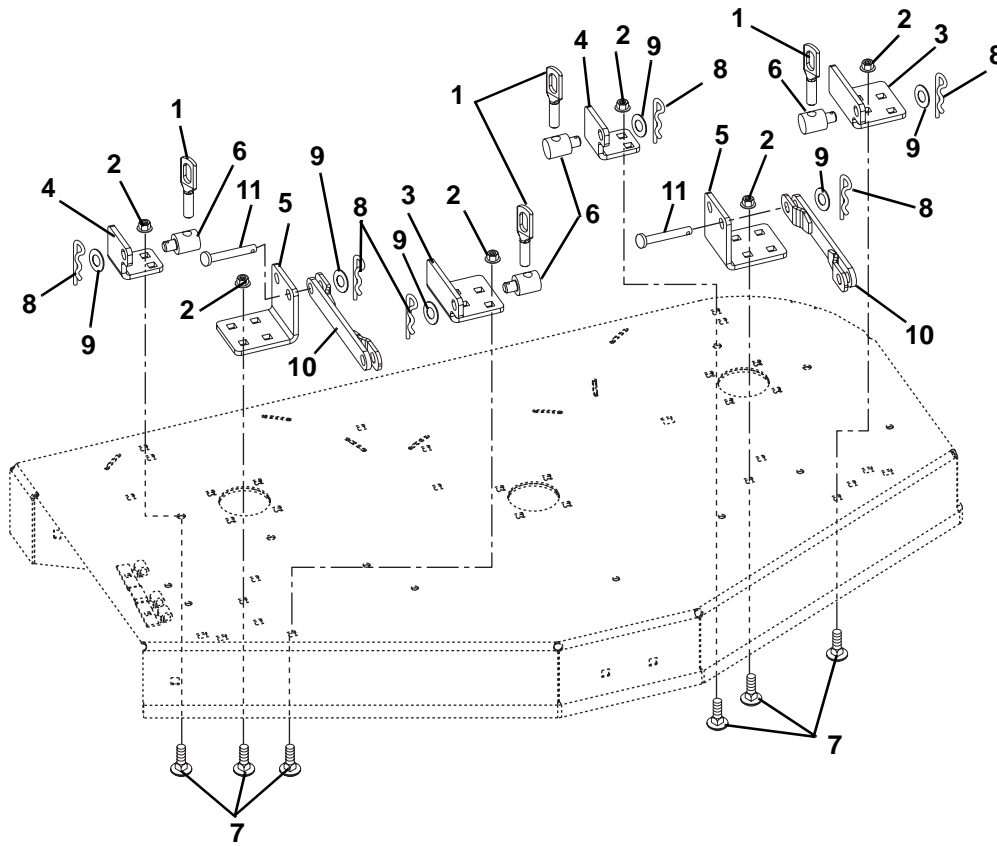


PE0860

Item	Part No.	Qty.	Description
1	01585500	1	Deflector, Chute
2	02709551	1	Hinge, Plate
3	06219900	2	Bolt, Round Head Square Neck .25-20 x .75 Grade 5
4	06530100	2	Nut-Locking-Flange .250-20
5	05706300	1	Ring, Retaining External .312 x .025
6	035996	1	Spring, Torsion .095 x .50 x 1.00
7	035997	1	Bushing, Sleeve
8	03624200	1	Pin
9	07068000	5	Bolt, Serrated Hex Flange Washer Head .31-18 x .62
10	06212200	6	Bolt, Round Head Square Neck .31-18 x .62
11	06545400	8	Nut-.312-18 Flange Nyloc
12	01576151	1	Weldment, Upper Left Baffle-40" (044)
	01572451	1	Weldment, Upper Left Baffle-44" (046)
	01574051	1	Weldment, Upper Left Baffle-48" (048)
	01575051	1	Weldment, Upper Left Baffle-52" (050)
13	01576251	1	Weldment, Upper Center Baffle-40" (044)
	01572551	1	Weldment, Upper Center Baffle-44" (046)
	01574151	1	Weldment, Upper Center Baffle-48" (048)
	01575151	1	Weldment, Upper Center Baffle-52" (050)
14	01576351	1	Weldment, Upper Right Baffle-40" (044)
	01572651	1	Weldment, Upper Right Baffle-44" (046)
	01574251	1	Weldment, Upper Right Baffle-48" (048)
	01575251	1	Weldment, Upper Right Baffle-52" (050)
15	01576751	1	Deflector, 40" (044)
	01574651	1	Deflector, 44"/48" (046, 048)
	01575951	1	Deflector, 52" (050)
16	01597751	1	Flat Spring
17	06543500	2	Nut, Locking Top Flange .25-20
18	06220600	2	Bolt, Round Head Square Neck .25-20 x .50 Grade 5
19	06223900	1	Bolt, Round Head Square Neck .38-16 x .75 Grade 5
20	06437200	4	Washer, Flat Steel .344 x .688 x .065
21	06530200	4	Nut, Locking Nylon .312-18

# HANDLE AND STABILIZER BRACKETS

Model 915044, 046, 048, 050

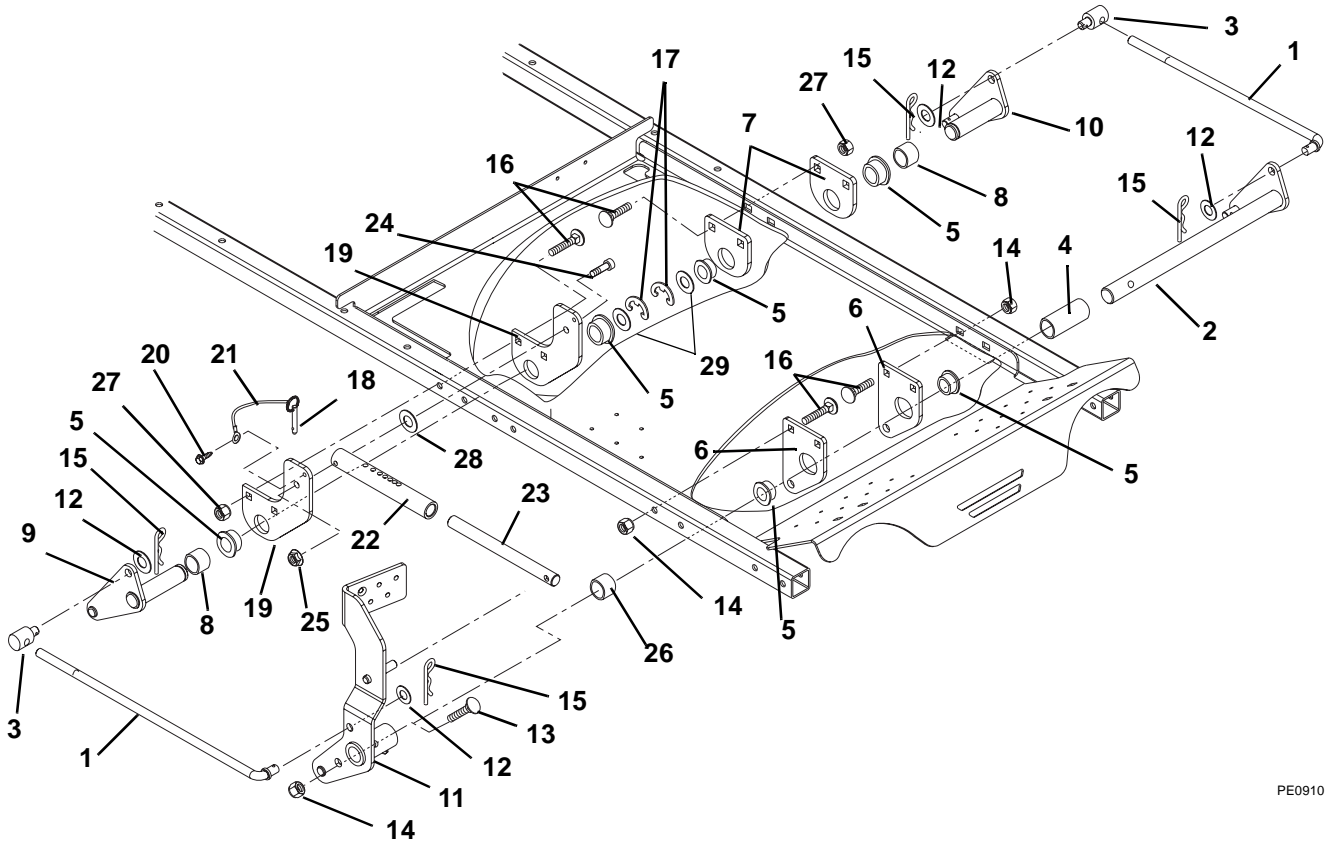


PE0880

Item	Part No.	Qty.	Description
1	00160000	4	Deck Link
2	06545500	12	Nut .38-16 Flange Nyloc
3	01590251	2	Bracket, Mount, Front
4	01604551	2	Bracket, Rear Mount
5	01573551	2	Bracket, Stabilizer
6	01590400	4	Trunnion
7	06223600	12	Bolt, Round Head Square Neck .38-16 x 1.00 Grade 5
8	06714900	6	Pin, Hair, External
9	06436400	6	Washer-Flat Steel .511 x 1.441 x .125
10	01573651	2	Weldment, Stabilizer Arm
11	036568	2	Clevis Pin, .491/.496 x 1.25

# MOWER DECK LIFT

Model 915044, 046, 048, 050

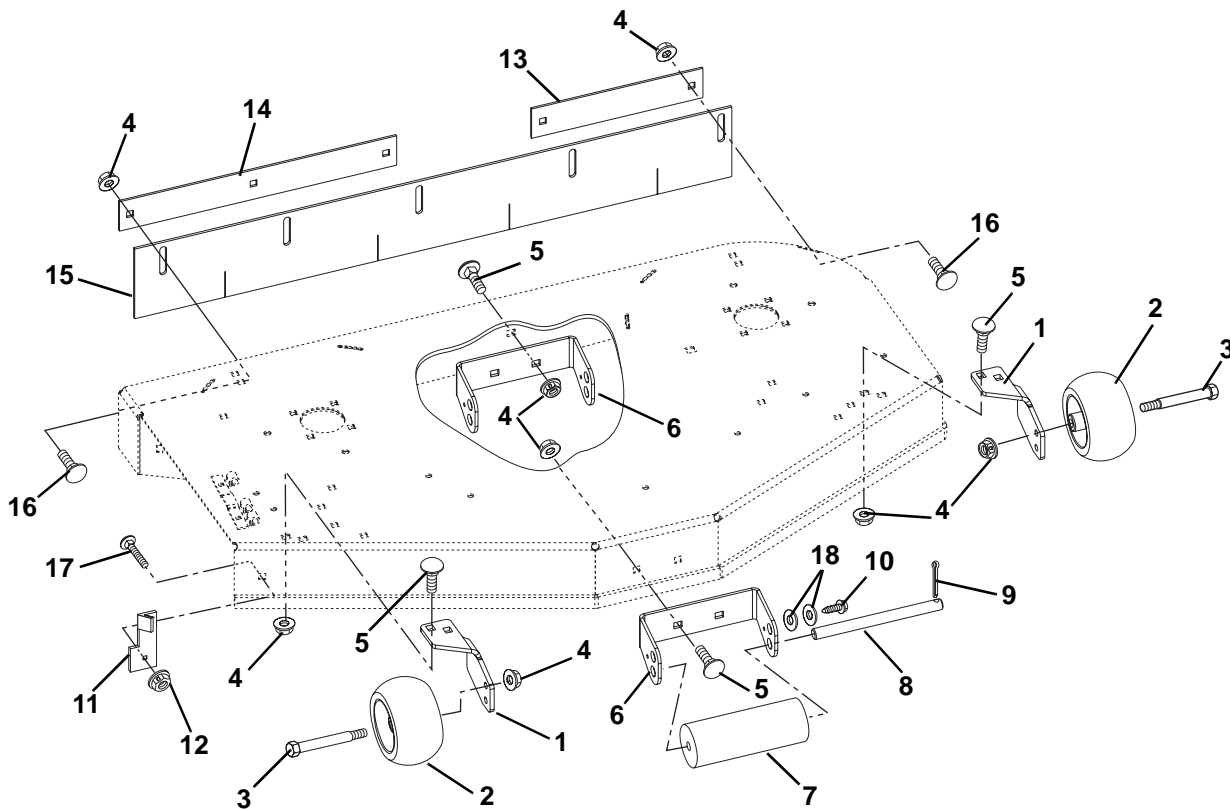


PE0910

Item	Part No.	Qty.	Description
1	01592000	2	Linkage, Lift
2	00186200	1	Weldment, Front Lift
3	01590400	2	Trunnion
4	01592200	1	Bushing, Front
5	036872	6	Bushing-Flange 1.00 x 1.12 x .62 x 1.50 Bronze
6	00182851	2	Bracket, Front Pivot
7	00175851	2	Bracket, Rear Pivot
8	01591800	2	Bushing, Rear
9	01591700	1	Weldment, Lift, Rear Right Hand
10	01591600	1	Weldment, Lift, Rear Left Hand
11	00161600	1	Weldment, Foot Pedal
12	06441900	4	Washer-Flat-Steel .531 x 1.06 x .095
13	05963300	1	Bolt, Hex .38-16 x 2.00 Grade 5
14	06545500	5	Nut .38-16 Flange Nyloc
15	06714900	4	Pin, Hair External
16	06224400	8	Bolt, Round Head Square Neck .38-16 x 2.50 Grade 5
17	05716800	2	Ring, Retaining .82 x 1.50 x .05
18	01593500	1	Pin, Spring Ball .375 O.D. x 1.50
19	00182251	2	Bracket, Rear Mount
20	07411600	1	Screw-Tapping .250-20 x .37 Hex Washer Head
21	01601300	1	Lanyard
22	00165000	1	Tube, Lift Stop
23	00165100	1	Rod, Lift
24	07000004	1	Bolt, Socket Head Screw .31 x 18 2.25
25	06545400	1	Nut, .312-18 Flange Nyloc
26	00182500	1	Spacer, Rear Lift
27	06542000	4	Nut-Locking-Top-Flange .38-16
28	06444300	1	Washer-Flat-Steel .390 x .75 x .125
29	06445300	2	Washer-Flat Steel 1.12 x 1.50 x .092

# MOWER BRACKETS AND ROLLERS

Model 915044, 046, 048, 050



PE0890

Item	Part No.	Qty.	Description
1	01574851	2	Bracket, Anti-Scalp
2	03471700	2	Wheel 5 x 3
3	07056800	2	Bolt, Shoulder .38-16 x 2.50 Hex Washer Head Grade 5
4	06545500	15	Nut .38-16 Flange Nyloc
5	06223600	8	Bolt-Round Head Square Neck .38-16 x 1.00 Grade 5
6	01572951	2	Bracket, Roller Mount
7	039563	2	Roller
8	01575600	2	Pin, Retainer
9	06713000	2	Pin, Cotter .25 x 1.00
10	07412000	2	Screw, Tapping .25-20 x .50 Hex Washer Head
11	01599151	1	Bracket, Chute Lock
12	06534900	1	Nut-Flange .375-16
13	01577451	1	Bar, Left Hand Retainer Striper
14	01576951	1	Bar, Retaining Striper (044)
	01577651	1	Bar, Retaining Striper (046)
	01577351	1	Bar, Retaining Striper (048, 050)
15	01576800	1	Striper, Rubber-40" (044)
	01577500	1	Striper, Rubber-44" (046)
	01577000	1	Striper, Rubber-48" (048)
	01577200	1	Striper, Rubber-52" (050)
16	06223600	5	Bolt, Round Head Square Neck .38-16 x 1.00 Grade 5
17	06224100	1	Bolt, Round Head Square Neck .38-16 x 1.25
18	06437200	4	Washer, Flat Steel .344 x .688 x .065



GRAVELY  
A Division of Ariens Company  
655 West Ryan Street  
P.O. Box 157  
Brillion, WI 54110-0157  
920-756-2141  
Fax 920-756-2407  
[www.gravelly.com](http://www.gravelly.com)