

OPERATING INSTRUCTIONS AND PARTS LIST

▲ SAFETY MESSAGE ▲

The product for which you have requested information or replacement parts is not a current product. The replacement models incorporate product designs, safety features, safety instructions or warnings which represent the latest "State Of The Art" developments. For your safety and those around you please contact your nearest Ariens/Gravely Dealer for a demonstration of the current product safety provisions and features.

Ariens



26" ROTARY MOWER ATTACHMENT

Serial Number
35-10M-00001
and up



PRICE \$.25

WARRANTY

Ariens Company hereby warrants to the original retail purchaser all new products of its own manufacture to be free from defects in material and workmanship.

Engine, parts or accessories not manufactured by Ariens Company, even though incorporated into its products, are not covered by this warranty.

The warranty period shall be one year from date of original purchase, except when the product is used for rental purposes, in which case the warranty period shall be for 45 days from date of original purchase.

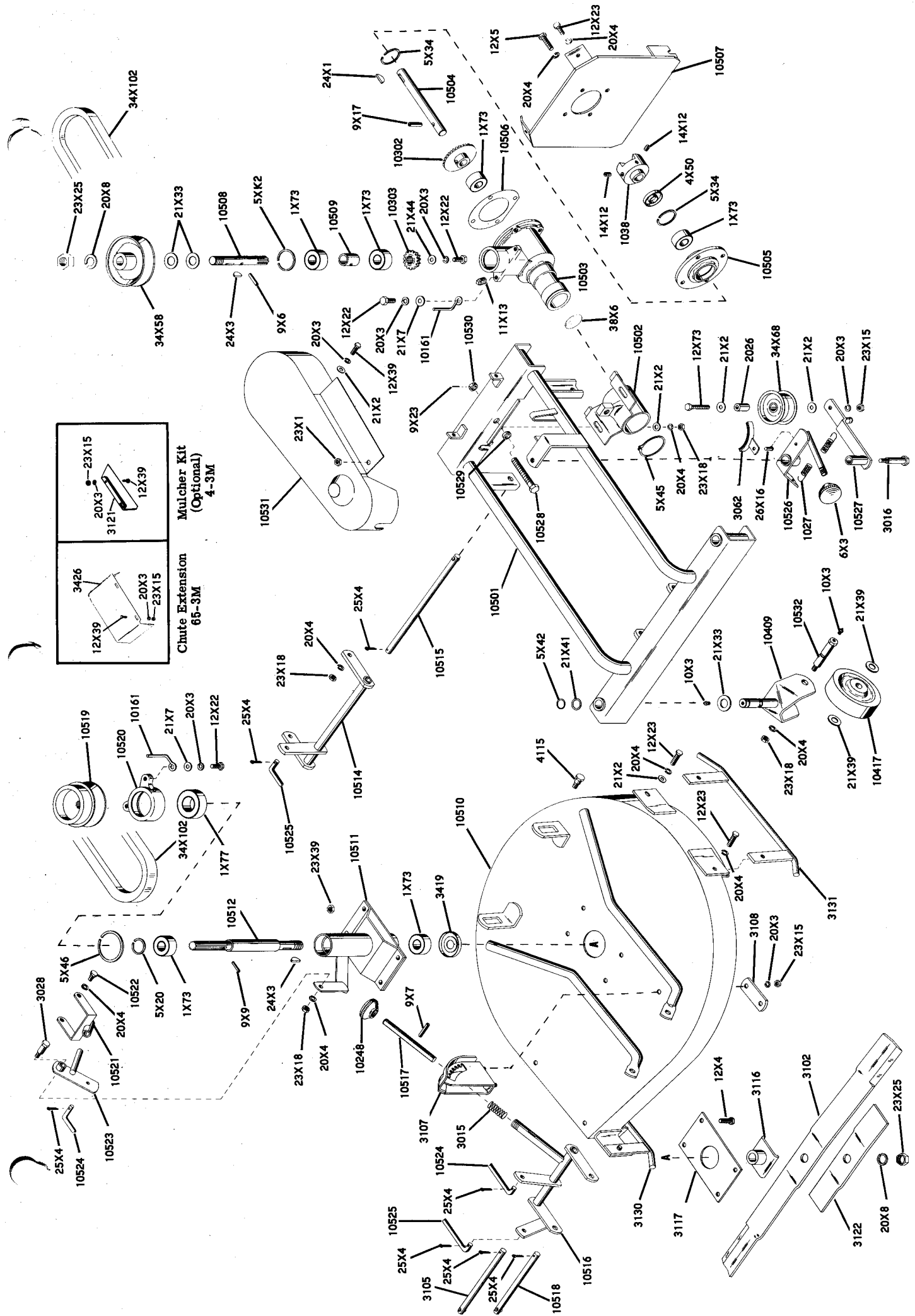
Any transportation charges incurred on any product claimed defective, which shall include the time and expense of the distributor or dealer for pickup and/or return of the unit, shall be borne by the purchaser.

This warranty shall not apply to any failure resulting from misuse, neglect or accident. Ariens Company shall not be responsible for damage in transit or handling by any common or contract carrier. Under no circumstances, within or without the warranty period, will the company be liable for damages for loss of use, or damages resulting from delay, or any consequential damages.

The company reserves the right to incorporate any changes in design into its products without obligation to make such changes on units previously manufactured.

PARTS LIST

Part No.	Description	No. Req'd.	Part No.	Description	No. Req'd.	Part No.	Description	No. Req'd.
1027	Spring	1	10520	Bearing Housing	1	21X39	Washer 1" OD .630 ID x .062	4
1038	Tiller Driving Jaw	1	10521	Yoke	1	21X41	Washer .754 ID x 1" OD x .032	2
2026	Spacer	1	10522	Screw Pin	2	21X44	Washer 7/8 x 21/64 x 7 Ga.	1
3015	Spring	1	10523	Yoke Lift Lever	1	23X1	Nut 3/8-16 Hex Jam Plated	1
3016	Shoulder Bolt	1	10524	Link Rod	1	23X15	Nut 5/16-18 Hex Full Plated	5
3028	Shoulder Bolt	1	10525	Link Rod	1	23X18	Nut 3/8-16 Hex Jam Plated	7
3062	PTO Brake Shoe	1	10526	Brake Lever	1	23X25	Nut 3/4-10 Hex Jam Plated	2
3102	Mower Blade	1	10527	Idler Arm	1	23X39	Nut 3/18-16 Locknut Plated	4
3105	Adapter Pin	1	10528	Adjustment Screw	1	24X1	Woodruff Key #11	1
3107	Height Adjustment Quadrant	1	10529	Spacer	1	24X3	Woodruff Key #9	2
3108	Reinforcing Strip	1	10530	Collar	1	25X4	Cotter Pin 1/8 x 1	7
3116	Blade Retainer	1	10531	Belt Guard	1	26X16	Rivet 1/4 x 1/2 Round Head	1
3117	Plate	1	10532	Axle Bolt	2	34X58	Pulley	1
3122	Blade Stiffener	1	1X73	Ball Bearing	6	34X68	Pulley	1
3130	Right Runner	1	1X77	Ball Bearing	1	34X102	Belt	1
3131	Left Runner	1	4X50	Seal	1	38X6	Expansion Plug	1
3419	Bearing Slinger	1	5X20	Snap Ring	1		Labels and Decal (Not illustrated)	1
3426	Chute Extension	1	5XK2	Snap Ring	1		Discharge Caution Label	1
4115	Shoulder Bolt	2	5X34	Snap Ring	2		Height Quadrant Label	1
10161	L. H. Belt Finger	4	5X42	Snap Ring	2		Mower (In-Out) Label	1
10248	Shift Ball	1	5X45	Snap Ring	1		Logo - Decal	1
10302	Bevel Gear	1	5X46	Snap Ring	1			
10303	Bevel Pinion	1	6X3	Shift Ball	1			
10409	Caster Fork	2	9X6	Roll Pin 1/4 x 1	1			
10417	Caster Wheel	2	9X7	Roll Pin 1/4 x 1-1/4	1			
10501	Frame	1	9X9	Roll Pin 1/8 x 1	1			
10502	Swivel Bracket	1	9X17	Roll Pin 5/16 x 1-1/4	1			
10503	Gear Case	1	9X23	Roll Pin 3/32 x 3/4	1			
10504	Gear Shaft	1	10X3	Zerk Fitting 1/4-28	4			
10505	Bearing Flange	1	11X13	Pipe Plug 3/8 Square Head	1			
10506	Gasket	1	12X4	Cap Screw 3/8-16 x 1 H. H.	4			
10507	Mounting Bracket	1	12X5	Cap Screw 3/8-16 x 1-1/4 H. H.	4			
10508	Pinion Shaft	1	12X22	Cap Screw 5/16-18 x 3/4 H. H.	5			
10509	Bearing Spacer	1	12X23	Cap Screw 3/8-16 x 3/4 H. H.	6			
10510	Mower Pan	1	12X39	Cap Screw 5/16-18 x 1/2 H. H.	4			
10511	Mower Spindle Housing	1	12X73	Cap Screw 5/16-18 x 1-3/4 H. H.	1			
10512	Mower Spindle	1	14X12	Set Screw 5/16-18 x 3/8 Soc. Hd.	2			
10514	Rear Lift Adapter	1	20X3	Lockwasher 5/16 - .130 x .097	12			
10515	Rear Adapter Pin	1	20X4	Lockwasher 3/8 - .145 x .115	19			
10516	Front Lift Adapter	1	20X8	Lockwasher 3/4 - .234 x .188	2			
10517	Height Control Rod	1	21X2	Washer 5/16 Wrought Plated	8			
10518	Front Adapter Pin	1	21X7	Washer 1/4 Wrought Plated	4			
10519	Spindle Sheave	1	21X33	Washer 1.375 x .755 x .125	4			



Chute Extension 65-3M
12X39, 20X3, 23X15, 3426

Mulcher Kit (Optional) 4-3M
20X3, 3121, 23X15, 12X39

ROTARY MOWER INSTRUCTIONS

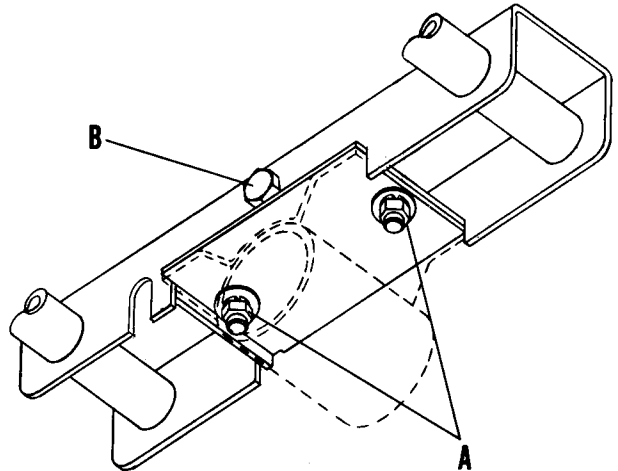
1. ATTACHING

a. Remove the carburetor heater box and install the air cleaner. Refer to detailed instructions packed with the attachment.

b. Hook the notches in the lower portion of the rotary mower frame over the rod passing through the forward section of the tractor frame.

c. Tip the two sections together, being sure the jaw clutch on the mower and tractor are lined up.

d. Insert and tighten the two 3/8-inch capscrews through the top of the tractor frame and into the mower frame. Use lockwashers under capscrews.



2. CHUTE EXTENSION

The capscrews, washers, and hex nuts for mounting the chute extension are installed in the mower pan. Remove this hardware, slide chute extension over the top of the mower pan and replace the capscrews, washers, and hex nuts.

3. OPERATION

a. Tractor. For operation see section on OPERATION in the instruction book packed with the tractor.

b. Mower.

(1) To start mower, move clutch lever to the IN position indicated on the belt guard above the lever.

(2) To stop mower, move clutch lever to the OUT position.

4. CUTTING HEIGHT ADJUSTMENT

Cutting height is adjusted by depressing the button in the cutting height adjustment lever and moving the lever to the desired cutting height position. See paragraph 5 for adjustment to extreme high and low positions.

5. BELT ADJUSTMENT (See figure 1)

The mower drive belt has been adjusted at the factory to perform satisfactorily in the five intermediate cutting positions. When operating in the extreme high and extreme low cutting positions, it is advisable to loosen the belt to insure declutching of the blade. Belt adjustment is made as follows:

a. Loosen the two 3/8-inch hex nuts (A, figure 1) located on the underside of the rear frame channel, approximately one full turn.

b. Turn the 3/4-inch hex (B, figure 1) on the front (center) of the rear frame channel to obtain

the tension desired. Turn clockwise to loosen belt and counterclockwise to tighten.

c. Tighten the 3/8-inch nuts loosened in step a.

6. MOWER RUNNERS

Mower runners are provided to prevent "scalping" of lawns. When mowing new or succulent grasses, it may be advisable to remove these runners to prevent streaking of the lawn.

7. LUBRICATION

a. Caster Wheel Assembly. Grease fittings are provided on the top of the caster wheel swivel shaft and on the axle bolt. Grease these four fittings approximately every 8 hours of operation.

b. Gear Case. Check gear case oil level approximately every 8 hours of operation. Oil level should be within 1/4-inch of filler hole. Drain and refill gear case every 100 hours of operation or once each season. Use Ariens gear oil MP-90.

8. BELT REPLACEMENT

a. Remove belt guard.

b. Move mower to middle height position.

c. Loosen belt fingers and swing clear.

d. Remove belt.

e. Replace belt and reposition belt fingers so that in the engaged position of the clutch the fingers on the "tight" side of the belt just clear the belt and the fingers on the idler side are 3/16-inch from the belt.