

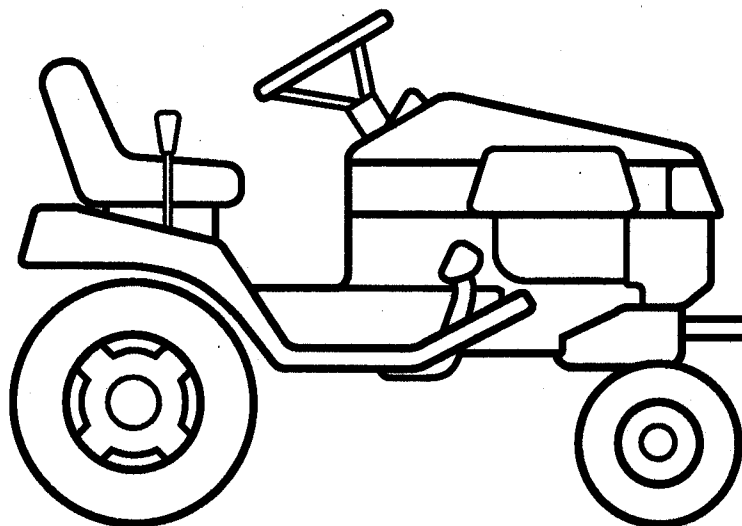
Ariens®

934

Series

HT Hydro
Garden Tractor

Parts
Manual



A Message to Ariens Parts Manual User

Your Ariens Dealer will be happy to supply any service or advice which may be required to keep your Ariens equipment operating at peak efficiency. He stocks genuine Ariens parts and lubricants, manufactured with the same precision and skill as the original equipment. His factory trained staff is kept well informed on the best methods of servicing Ariens equipment and is

ready and able to serve you. If engine repair services are required, they can be obtained from an Ariens Dealer or from an authorized manufacturer's service center. If repairs are required, be prepared to supply the person with the Model Number and Serial Number of the equipment and engine, as well as a full description of the problem encountered.

Introduction

The information contained herein is intended for use by Ariens Dealers' trained servicemen and serves as a supplement to and reminder of training sessions conducted by Ariens Company. Before you attempt any repair, adjustment or maintenance project, be certain that you have read and fully understand the instructions in your Owner's and Repair Manuals. Understand and follow each Danger, Warning, Caution and all instructions exactly as given. Also, be sure that you have all tools, replacement parts and other materials required to complete the project.

A network of Ariens Dealers and Distributors is maintained in order to assure you of an adequate supply of replacement parts and technical assistance. Your local Ariens Dealer is required to order parts through his distributor. When replacement parts are required, use only genuine Ariens parts. Failure to do so may result in product malfunction and possible injury to operator and/or bystander.

NOTE: All references to "Left", "Right", "Front" and "Back" are given from operator's position.

NOTE: The descriptions and specifications contained in this manual were in effect at the time the manual was approved for printing. Ariens Company reserves the right to discontinue models without notice and without incurring obligation. The equipment described within this manual may not be identified as either standard or optional and the various illustrations may not all be applicable to your particular unit. If you have questions, always check with your Ariens Dealer.

NOTE TO ARIENS DEALERS: Refer to your current Parts Price List for suggested parts stocking. Service training for dealers is available at the Ariens Service School. See your Ariens Distributor for the latest school schedule.

Contents

Decals	2
Electrical	3
Seat and Rear Deck	4
Hood and Console	6
Dash	8
Steering	10
Front Axle	12
Brake	14
Hydrostatic Drive	16
851 Model Hydro Transaxles	18
Speed Selector	20
Neutralizer	22
Main Drive	24
Engine, Baffles and Fuel	26
Jackshaft (PTO)	28
Manual Lift System	30
Electric Lift System	32
Front Shaft Kit	33

NOTE: Most hardware descriptions are given in decimals. Refer to the following table to find the equivalent in fractions:

.125 = 1/8	.562 = 9/16
.188 = 3/16	.625 = 5/8
.250 = 1/4	.688 = 11/16
.312 = 5/16	.750 = 3/4
.375 = 3/8	.812 = 13/16
.438 = 7/16	.875 = 7/8
.500 = 1/2	.938 = 15/16

Models

Model 934019 (HT16-42")
Serial No. 000101 and up

Model 934020 (HT18)
Serial No. 000101 and up

NOTE: Mower deck is shipped with 934019. See PM34A attachment parts manual covering 834002 for those parts.

This manual covers the above models. Specific Model and Serial Number of your tractor are on a label on tractor frame located near engine. Record numbers below and use them whenever parts or service are required.

Model Number _____
Serial Number _____
Engine Number _____
Serial Number _____

▲ SAFETY MESSAGE ▲

The product for which you have requested information or replacement parts is not a current product. The replacement models incorporate product designs, safety features, safety instructions or warnings which represent the latest "State Of The Art" developments. For your safety and those around you please contact your nearest Ariens/Gravely Dealer for a demonstration of the current product safety provisions and features.

How To Order Replacement Parts

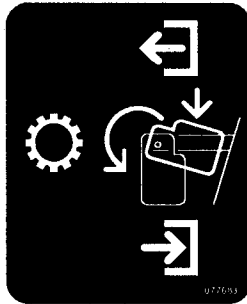
This Parts manual is arranged for easy identification of genuine Ariens Service parts that are illustrated showing their relationship to one another. Item numbers in the illustrations correspond to item numbers in the first column of the parts list and are followed by the Ariens Part Number, Description and Quantity with variations between models and/or serial numbers designated in the part description. S/N 000000> means this serial number and up, with S/N <000000 meaning up to this serial number.

Order parts from your nearest authorized Ariens Dealer. For prompt service when ordering parts, provide the following information.

1. **MODEL AND SERIAL NUMBERS OF EQUIPMENT.**
2. **PART NUMBER (not Item Number)**
3. **DESCRIPTION**
4. **QUANTITY REQUIRED**

Decals

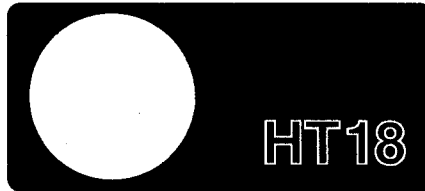
934019,020



07768300



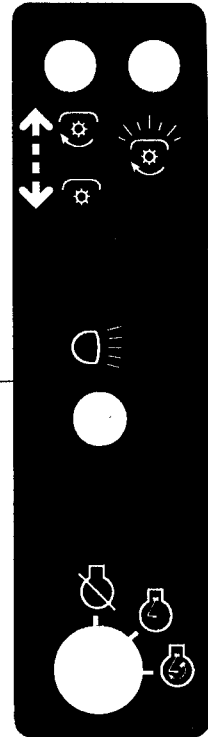
07782900



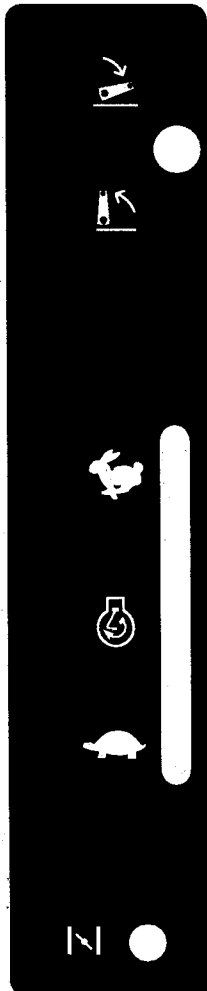
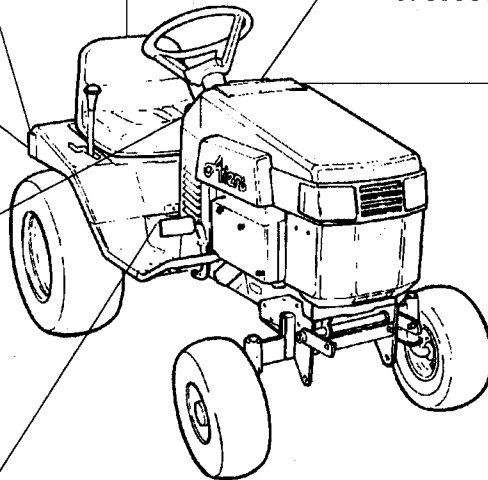
07797700 (20)
07893800 (19)



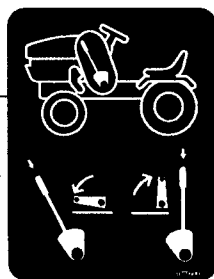
07768500



07768200



07768100 (20)
07760900 (19)



07760000 (19)

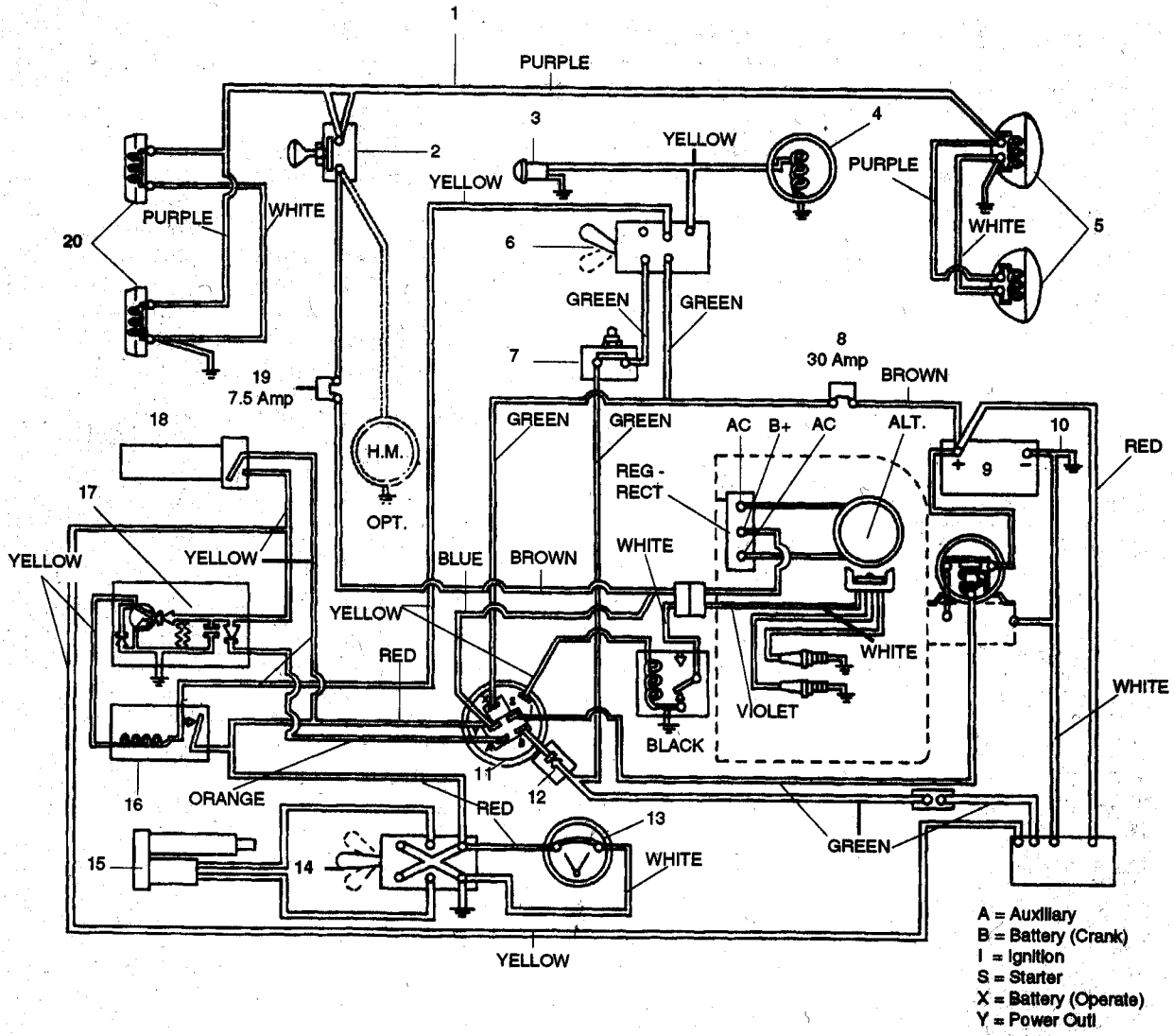
<p>(P)</p> <ul style="list-style-type: none"> • Depress brake pedal. • Lift latch up & hold. • Release brake pedal. 	<p>CAUTION</p> <p>TO AVOID INJURY</p> <ul style="list-style-type: none"> • Read operator's manual. • Check interlock system per manual before use. 	
<ul style="list-style-type: none"> • Understand location and function of all controls. • Keep all shields in place. • Never carry children. • Keep people and pets away when operating machine. 	<ul style="list-style-type: none"> • Look behind before backing. • Do not drive where machine can slide or tip. • If machine stops going up hill, shut off PTO and back down slowly. 	<ul style="list-style-type: none"> • Depress brake to STOP. • Before dismounting, engage park brake, shut off PTO, engine, and remove key.

Figure 1: Decal Location

07768000

Electrical

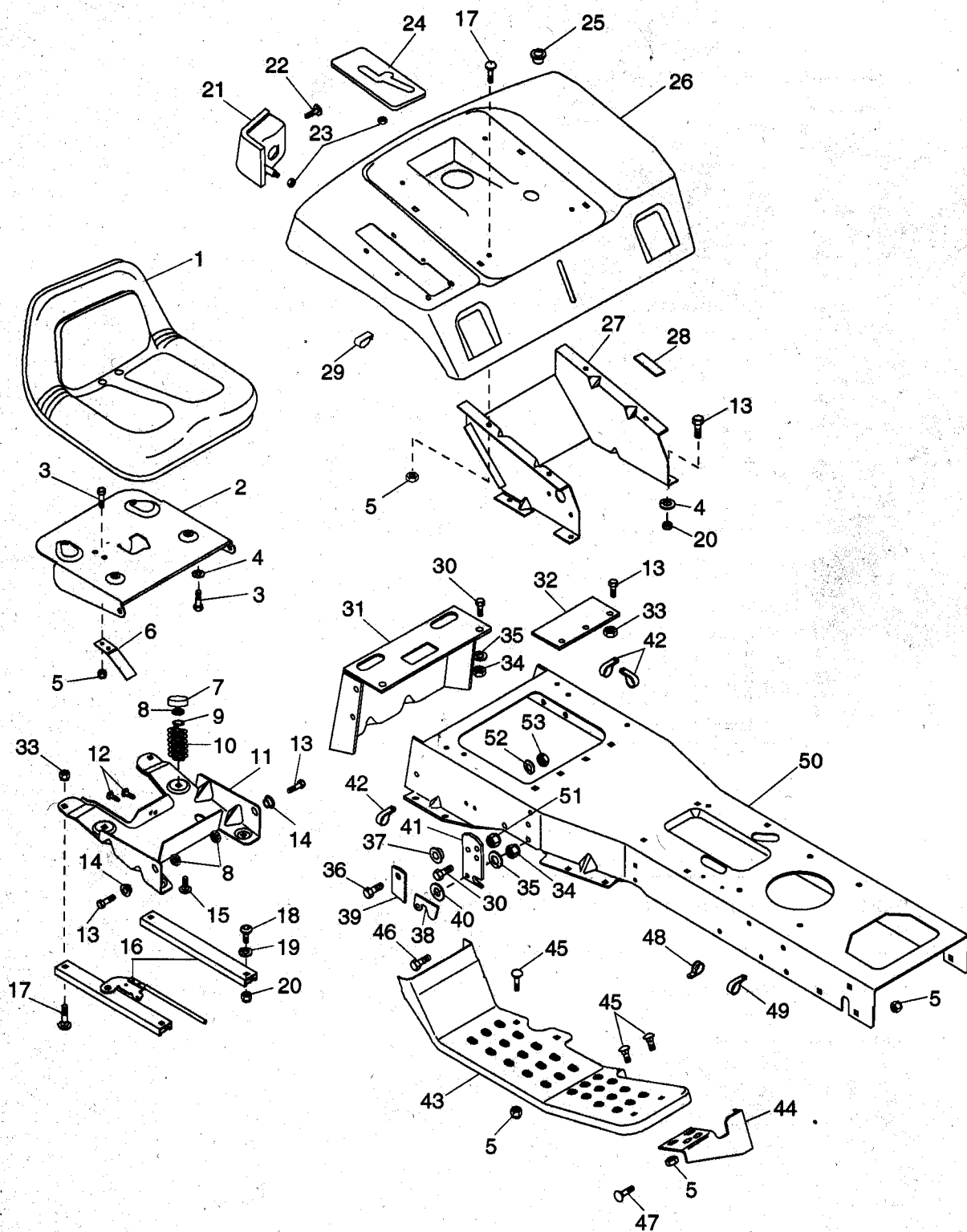
934019,020



ITEM NO.	PART NO.	DESCRIPTION	QTY	ITEM NO.	PART NO.	DESCRIPTION	QTY
1	03334800	Wire Harness HT16TW (19)	1	8		30 Amp Fuse	1
	03337600	Wire Harness 18TW (20)	1	9	03055700	Battery	1
2	03437400	Light Switch Assembly	1	10	03013600	Ground Cable	1
	03415600	Light Switch	1	11	03079800	Switch Assembly	1
3	03198300	PTO Indicator Light	1	12	03042700	Diode Assembly	1
	03004200	Lens	1	13	03086800	Voltmeter (20)	1
	03004300	Lamp	1	14	03437900	Switch Assembly (20)	1
	03004400	Lamp Socket	1	15	03450300	Actuator (20)	1
	03027900	Speed Nut	1	16	03042800	Relay	2
4	03450500	Electric Clutch	1	17	03042900	Time Delay Module	1
5	03420500	Headlight Bulb	2	18	03606600	Switch-Double Pole N.O./N.O.	1
6	03454900	Switch Assembly	1	19		7.5 Amp Fuse	1
7	03110700	Safety Switch	1	20		#168 Wedge Base Tail Light Bult (20)	2

Seat and Rear Deck

934019,020



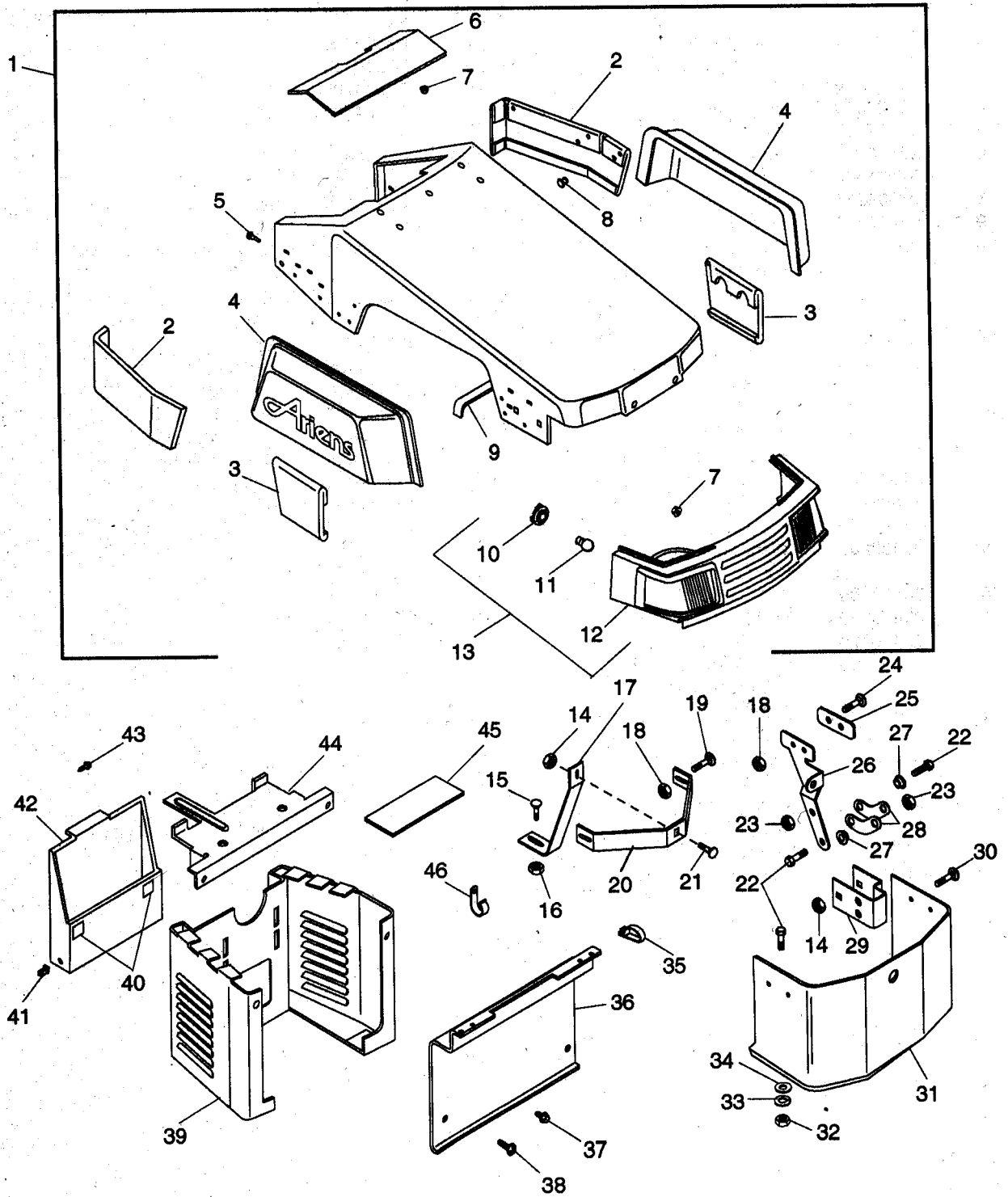
Seat and Rear Deck

934019,020

ITEM NO.	PART NO.	DESCRIPTION	QTY	ITEM NO.	PART NO.	DESCRIPTION	QTY
1	03606700	Seat V-560	1	27	03606200	Deck Support	1
2	03619151	Seat Pivot Plate	1	28	03558100	Foam Tape	6
3	05902200	Blt-Hex .31-18 x .75 Pl Gr 2	6	29	07510700	Wire Clip (020)	1
4	06300300	Wshr-Lock .312 ID Heavy Pl	8	30	05914500	Blt-Hex .38-16 x 1.00 PI Gr 5	10
5	06507800	Nut-Flg .312-18 Pl	16	31	03448900	Tail Board	1
6	03616700	Spring Plate	1	32	03497300	Support Plate	1
7	07521600	Tube Cap	2	33	06506200	Nut	7
8	06504200	Nut-Lk .312-18 Gr A Pl	4	34	06501800	Nut-Hex .375-16	7
9	06412300	Wshr-Fl-Stl .31 x .68 x .065	2	35	06300400	Wshr-Lock .375 x .115 Hvy Pl	10
10	08328900	Sg-Comp .148 x 1.23 x 2.41 Wld 87	2	36	05915100	Blt-Hex .38-16 x 1.50 PI Gr 5	2
11	03618100	Seat Box	1	37	03459700	Spacer	2
12	07404500	Scr-Tap 12-24 x .50 Hwh Pl	2	38	03055400	Latch RH	1
13	05913500	Blt-Hex .31-18 x .75 Pl Gr 5	9		03055500	Latch LH	1
14	05516200	Bshg-Flg .325 x .465 x .333 x .685	2	39	03460000	Lock Stop	2
15	06204100	Blt-Rdgsqnk .31-18 x .75 Gr 5	2	40	02902400	Spring Washer	2
16	03600800	Seat Slides (Rametak 3010-4)	1	41	03459500	Rear Hanger	2
17	06203300	Blt-Rdgsqnk .31-18 x .62	8	42	06916000	J-Clamp	3
18	07008100	Scr-Cap Bthd .31-18 x .50 Gr 5	4	43	03605000	Foot Rest RH	1
19	06303200	Wshr-Lock Ext .313 l x .30 Pl	4	44	03605100	Foot Rest LH	1
20	06501500	Nut-Hex .312-18	8	45	03610300	L Foot Rest Brace	1
21	03416300	Right Taillight (20)	1	46	03610200	R Foot Rest Brace	1
	03416400	Left Taillight (20)	1	47	06201100	Blt-Rdhdsqnk .31-18 x .75	8
22	07400100	Scr-Tap 10-12 x .50 Crph Pl A (020)	2	48	05908000	Blt-Hex .25-20 x .63 PL Gr 2	2
23	07008000	Nut-Self-Thrdng Fits .25 Studpl (020)	8	49	06203400	Blt-Rdhdsqnk .31-18 x .75 Sht Pl	4
	07008000	Nut-Self-Thrdng Fits .25 Studpl (19)	6	50	06910600	Clip	1
24	03450000	Insert	1	51	06909400	J.Clamp	1
25	07506500	Grommet	1	52	03448800	Main Frame	1
26	03498700	Rear Deck F/TL (020)	1	53	06512200	Nut-Lk Top .375-16 Gr C Pl	4
	03616000	Rear Deck - Hydro (19)	1		06300200	Wshr-Lock .250 x .007 Hvy Pl	2
						Nut .250-20 Pl	2

Hood and Console

934019,020



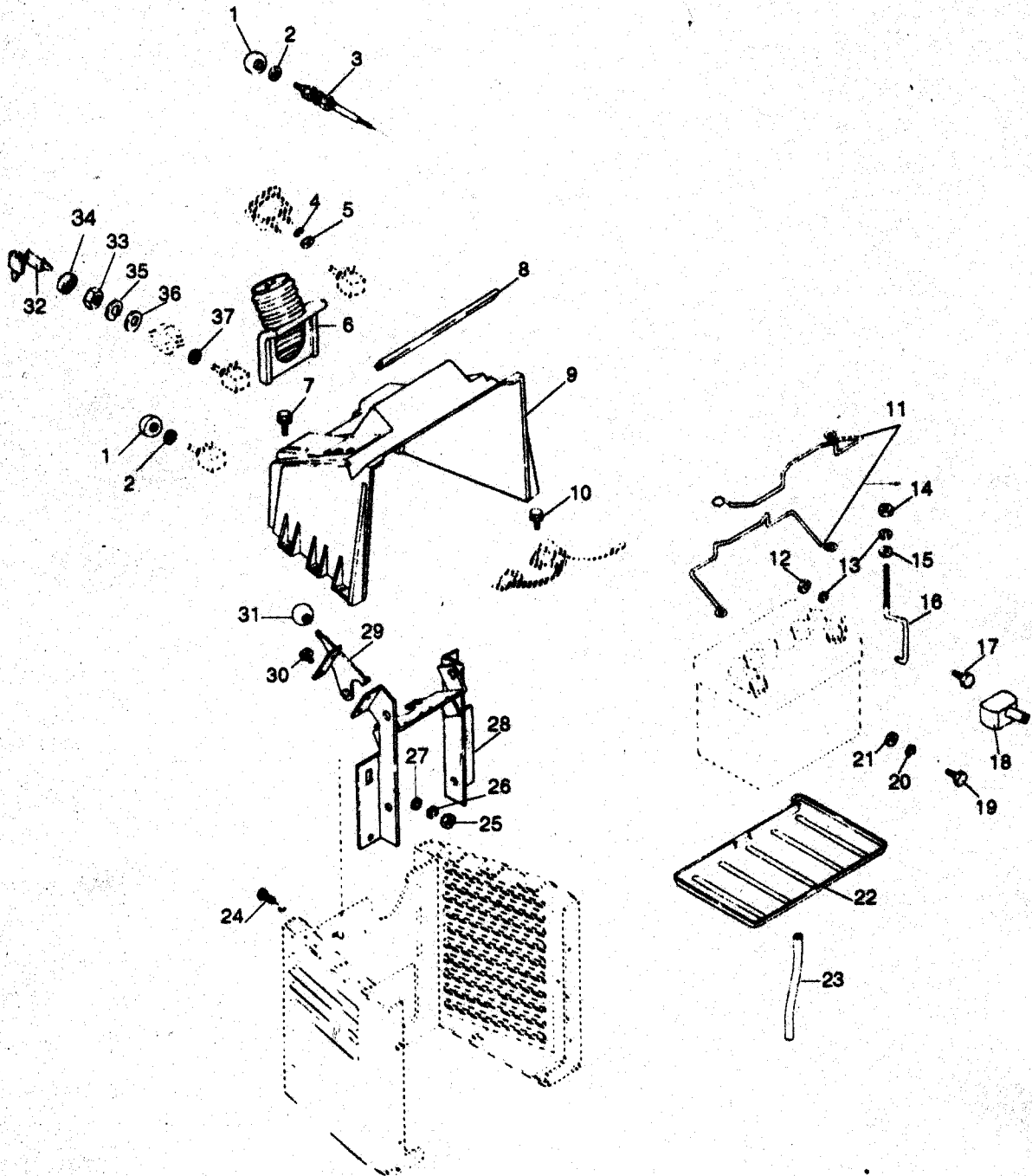
Hood and Console

934019,020

ITEM NO.	PART NO.	DESCRIPTION	QTY	ITEM NO.	PART NO.	DESCRIPTION	QTY
1	53405500	Hood Assy HT16-18 V-Twin	1	24	06201100	Blt-Rdhdsqnk .31-18 x .75 Gr 5 PI	4
2	03417400	Rear Hood Molding RH	1	25	03417900	Spacer Strap	2
	03417500	Rear Hood Molding LH	1	26	03414800	Hinge Arm R.H.	1
3	03417200	Front Hood Molding RH	1		03414900	Hinge Arm L.H.	1
	03417300	Front Hood Molding LH	1	27	01305900	Shoulder Spacer	8
4	03425000	Engine Shroud	2	28	03414700	Hinge	4
5	07511900	Bumper	8	29	03414600	Hinge Bracket	2
6	03417700	Hand Hold Trim	1	30	06205300	Blt-Rdhdsqnk .25-20 x .50 Sht-PI	4
7	07008000	Nut-Slef-Thrdng Fits .25 Studpl	9	31	03445400	Grill	1
8	06806600	Rvt-Briv .153 x .179 Dome Al	28	32	06501500	Nut-Hex .312-18	4
				33	06300300	Wshr-Lock .312 ID Heavy PI	4
9	03441900	Foam Tape	1				
10	03617500	Lamp Socket	2	34	06405700	Wshr-FI-Stl .323 x .625 x .062 PI	4
11	03420500	Headlight Bulb	2				
12	03419800	Grill & Lens Assembly	1	35	07008400	Clip-Harness Tinmam	2
13	03335600	Headlight System HT	1	36	03458300	Bulkhead	1
14	06505600	Nut-Lk-Flg .250-20 PI	5	37	07401400	Scr-Tap .312-18 x .50 Hwh PI Tr	2
15	06207800	Blt-Rdhdsqnk .38-16 x .75 Gr 5 PI	1	38	07404300	Scr-Tap 10-16 x .50 Hwh PI AB	1
16	06508000	Nut-Lk-Flg .375-16 PI	1				
17	03446400	Brace	1	39	03454000	Dash Tower	1
18	06507800	Nut-Flg. .213-18 PI	8	40	03418400	Catch Assembly	2
19	06203300	Blt-Rdhdsqnk .312-18 x .62 Sht PI	2	41	07507600	Plastic Grommet	2
				42	03412800	Note Box	1
20	03446300	Brace	1	43	07400100	Scr-Tap 10-12 x .50 Crph PI A	2
21	06204200	Blt-Rdhdsqnk .25-20 x .75 Gr 5 PI	1	44	03454200	Battery Support	1
22	05902200	Blt-Hex .31-18 x .75 PI Gr 2	12	45	03558200	Foam Tape	3
				46	06917700	J-Clip	2
23	06504200	Nut-Lk .312-18 Gr A PI	8				

Dash

934019,020



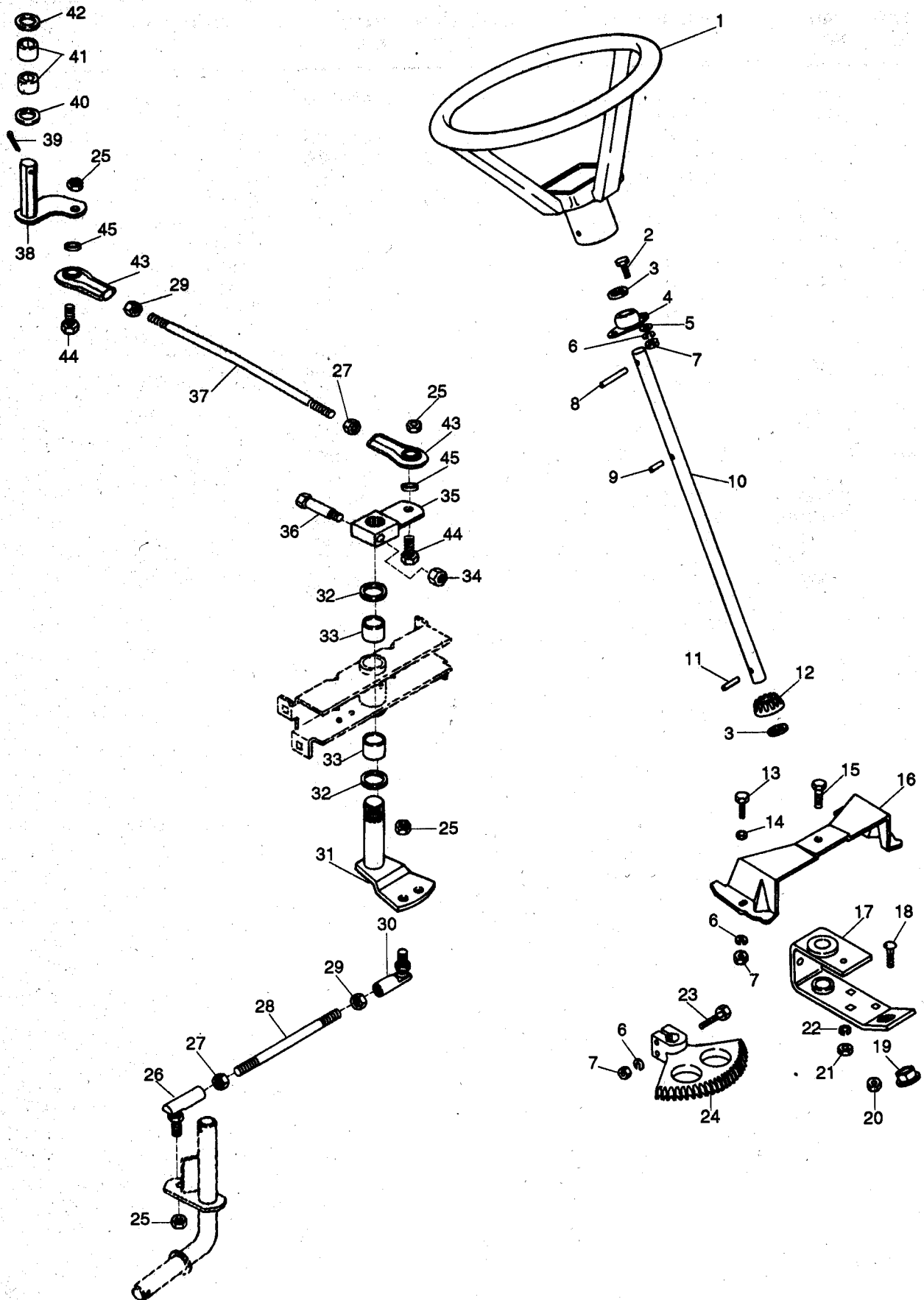
Dash

934019,020

ITEM NO.	PART NO.	DESCRIPTION	QTY	ITEM NO.	PART NO.	DESCRIPTION	QTY
1	07512400	Push/Pull Control Knob	2	19	05900300	Blt-Hex .31-18 x 1.00	1
2	06405200	Wshr-FI-Stl .382 x .812 x .24 PI	3			PI Gr 2	
3	06913400	Choke-Control	1	20	06303200	Wshr-Lock Ext .313 x .030 PI	1
4	06302600	Wshr-Lock Ext #10 ID x .022	2	21	06507800	Nut-Flg. .312-18 PI	1
5	06502600	Nut 10-32 PI (20)	4	22	03199900	Battery Tray	1
	06502600	Nut 10-32 PI (19)	2	23	03442000	Drain Hose	1
6	03417800	Steering Column Boot	1	24	06203300	Blt-Rdhdsqnk .312-18 x .62	4
7	07404300	Scr-Tap 10-16 x .50 Hwh PI AB	6			Shtpl	
8	03426300	Trim	1	25	06501500	Nut-Hex .312-18	4
9	03412400	Dash	1	26	06300300	Wshr-Lock .312 ID Heavy PI	4
10	07402600	Scr-Tap 10-24 x .375 Crph 1A	3	27	06400700	Wshr-FI-Stl .312 x .734 x .065 PI	2
11	03057800	Hold Down	2	28	03455000	Control Support	1
12	06503200	Nut .250-20 PI	2	29	06916300	Throttle Control	1
13	06300200	Wshr-Lock .250 x .077 Hvy PI	2	30	07405400	Scr-Tap 10-24 x .375 Hwh PI Tr	2
14	06506600	Nut-Lk-Nyl .250-20 PI	2	31	07512500	Throttle Control Knob	1
15	06412400	Wshr-FI-Stl .281 x .62 x .065 PI	2	32	02460700	Key w/Cap	1
16	03055800	Tie Down	2	33	06517400	Nut-Panel .562-24 Greco	1
17	05908000	Blt-Hex .25-20 x .63 PI Gr 2	2	34	07517700	Cap-Ignition Switch	1
18	07512900	Insulator	1	35	06302900	Wshr-Lock Int .563 x .040 PI	1
				36	06413600	Wshr-FI-Stl .875 x 1.125 x .048	1
				37	06420500	Wshr-FI-Stl .522 x .735 x .031 PI	1

Steering

934019,020



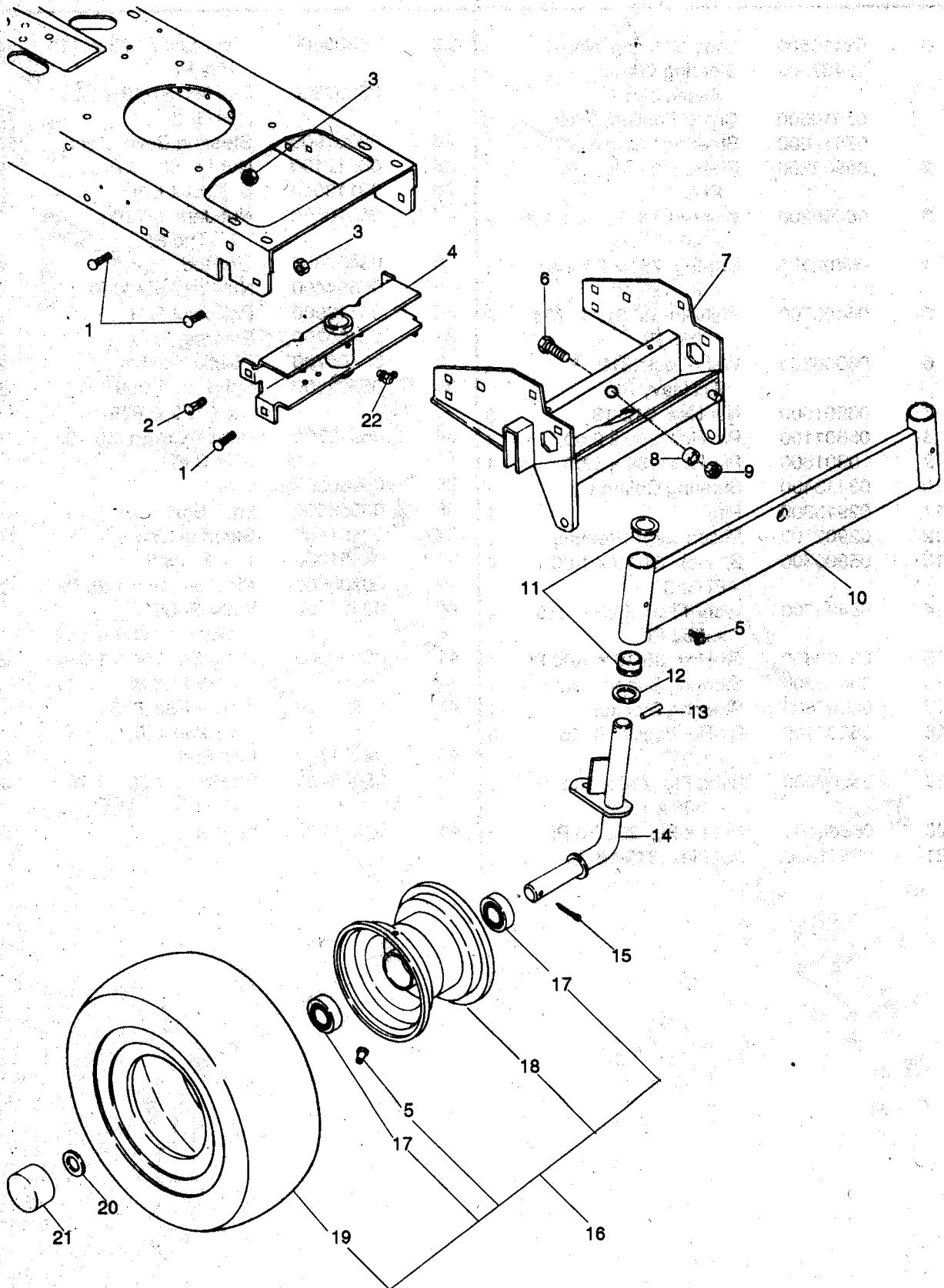
Steering

934019,020

ITEM NO.	PART NO.	DESCRIPTION	QTY	ITEM NO.	PART NO.	DESCRIPTION	QTY
1	03418500	Logo-Steering Wheel	1	22	06300400	Wshr-Lock .375 x .115	1
	03437500	Steering Wheel Assembly	1	23	05907300	Hvy PI Blt-Hex .31-18 x 1.75	2
	07010600	Clip-U Fastng Kelch	3			PI Gr 2	
	07512600	Steering Wheel Cap	1	24	02901900	Steering Bevel Gear	1
2	05902200	Blt-Hex .31-18 x .75	2	25	06512100	Nut-Lk .50-20 PI	2
		PI Gr 2		26	03113000	Ball Joint L.H.	2
3	06406200	Wshr-FI-Stl .754 x 1.125	2	27	06510500	Nut-Jam .50-20	2
		x .062 PI				Lh Thd PI	
4	05402500	Brg-Fig .751 x 2 Holes	1	28	03457800	Tie Rod	2
		x .81		29	06504400	Nut-Jam .50-20 PI	2
5	06400700	Wshr-FI-Stl .312 x .734	2	30	03112900	Ball Joint R.H.	2
		x .065 PI		31	03450700	Steering Pivot	2
6	06300300	Wshr-Lock .312	8	32	07506700	Plastic Washer	2
		ID Heavy PI		33	05509100	Bshg-Slv 1.000	2
7	06501500	Nut-Hex .312-18	8			x 1.125 x .875	
8	05801100	Pin-Roll .250 x 2.00	1	34	06512700	Nut-Lk-Crown .50-13	1
9	05801600	Pin-Roll .188 x 1.00	1			Gr C PI	
10	03413400	Steering Column	1	35	03450900	Arm	1
11	02913300	Pin	1	36	03058500	Lock Bolt	1
12	02902100	Pinion Gear-Steering	1	37	03451400	Steering Link	1
13	05900300	Blt-Hex .31-18 x 1.00	4	38	03451000	Arm & Shaft	1
		PI Gr 2		39	06700600	Pin-Cotr .18 x 1.25 PI	1
14	06405700	Wshr-FI-Stl .323 x .625	4	40	06407100	Wshr-FI-Stl	2
		x .062 PI				.880 x 1.1250 x .062	
15	05900400	Blt-Hex .38-16 x 1.00 PI	1	41	05508300	Bshg-Slv .750 x 1.000	2
16	03413200	Steering Support Brace	1			x .750 Hx Sb	
17	03507800	Steering Bracket	1	42	06411100	Wshr-FI-Stl .875	1
18	06202900	Blt-Rdhdsqnk .38-16	3			x 1.250 x .075	
		x 1.0 PI		43	03461700	Rod End	2
19	05508000	Bshg-Fig .750 x 1.093	1	44	05928400	Blt-Hex .50-20 x 1.75	2
		x .625 x 1.375				PI Gr 5	
20	06508000	Nut-Lk-Fig .375-16 PI	3	45	00211100	Spacer	2
21	06501800	Nut-Hex .375-16	1				

Front Axle

934019,020



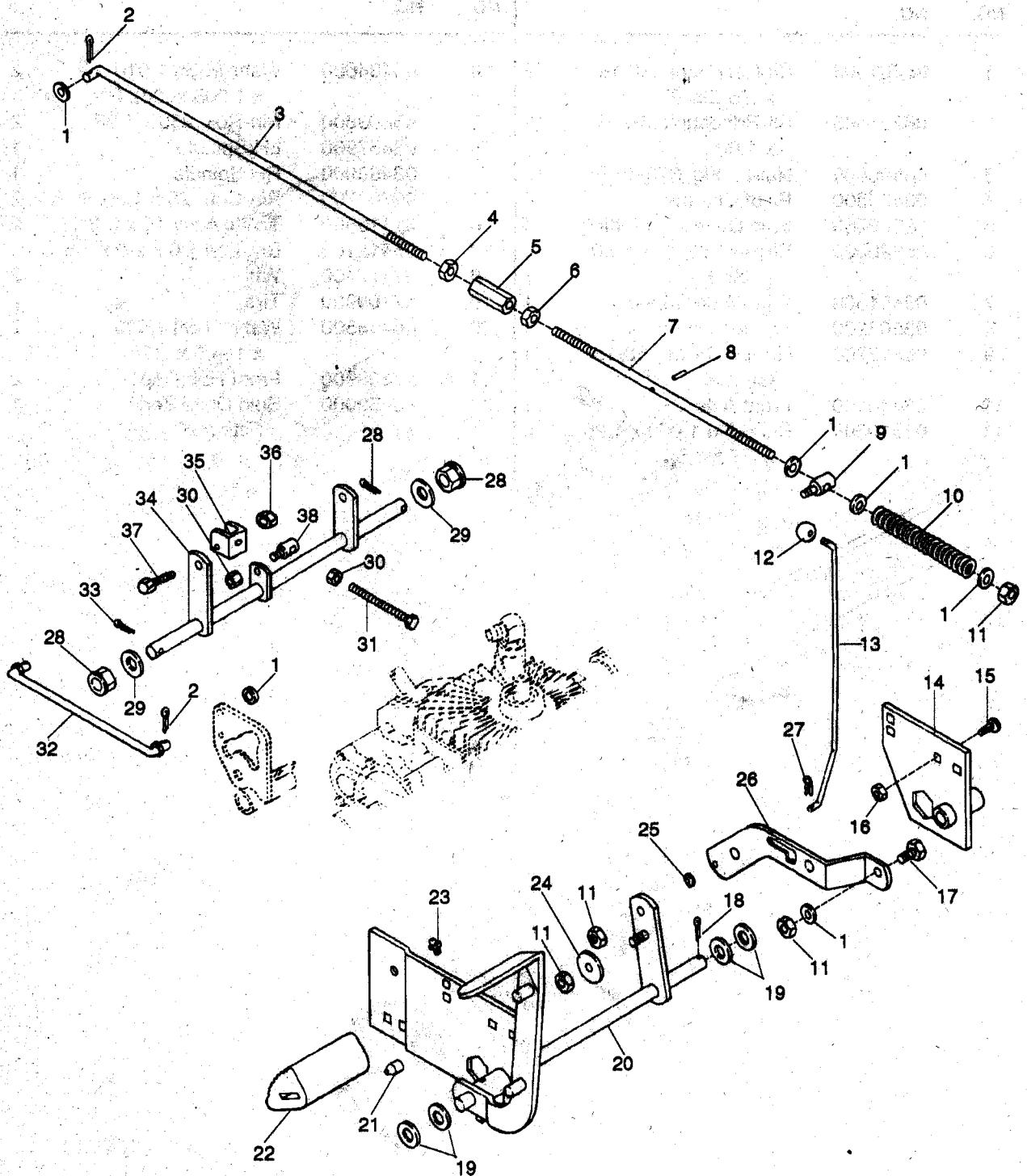
Front Axle

934019,020

ITEM NO.	PART NO.	DESCRIPTION	QTY	ITEM NO.	PART NO.	DESCRIPTION	QTY
1	06201000	Blt-Rdhdsqnk .38-16 x .75 Sht PI	8	12	06404600	Wshr-FI-Stl 1.010 x 1.505 x .062 PI	2
2	06201300	Blt-Rdhdsqnk .38-16 x 1.00	2	13	05803800	Pin-Roll .250 x 1.38	2
3	06508000	Nut-Lk-Fig .375-16 PI	10	14	03457900	LH Spindle	1
4	03450800	Pivot Channel	1	15	03458000	RH Spindle	1
5	02209300	Spin Drive Zerk Fitting	4	16	06702700	Pin-Cotr .25 x 1.50 St PI	2
6	05920000	Blt-Hex .50-13 x 1.50 PI Gr 5	1	17	07115800	T/Whl Assy 15 x 6-6	2
7	03451300	Front Axle Support	1	18	05412100	Brg-Ball 1.0 x 2.0 x .55	4
8	03503200	Spacer	1	19	07113400	Whl	2
9	06512700	Nut-Lk-Crown .50-13 Gr C PI	1	20	07109900	Tire	2
10	03440100	Front Axle	1	21	06418500	Wshr-FI-Stl 1.015 x 1.500 x .125	2
11	05510600	Bshg-Fig 1.000 x 1.25 x .75 x 1.50	4	22	07508900	Front Hub Cap	2
					03459000	Spin Drive Zerk Fitting 90	1

Brake

934019,020



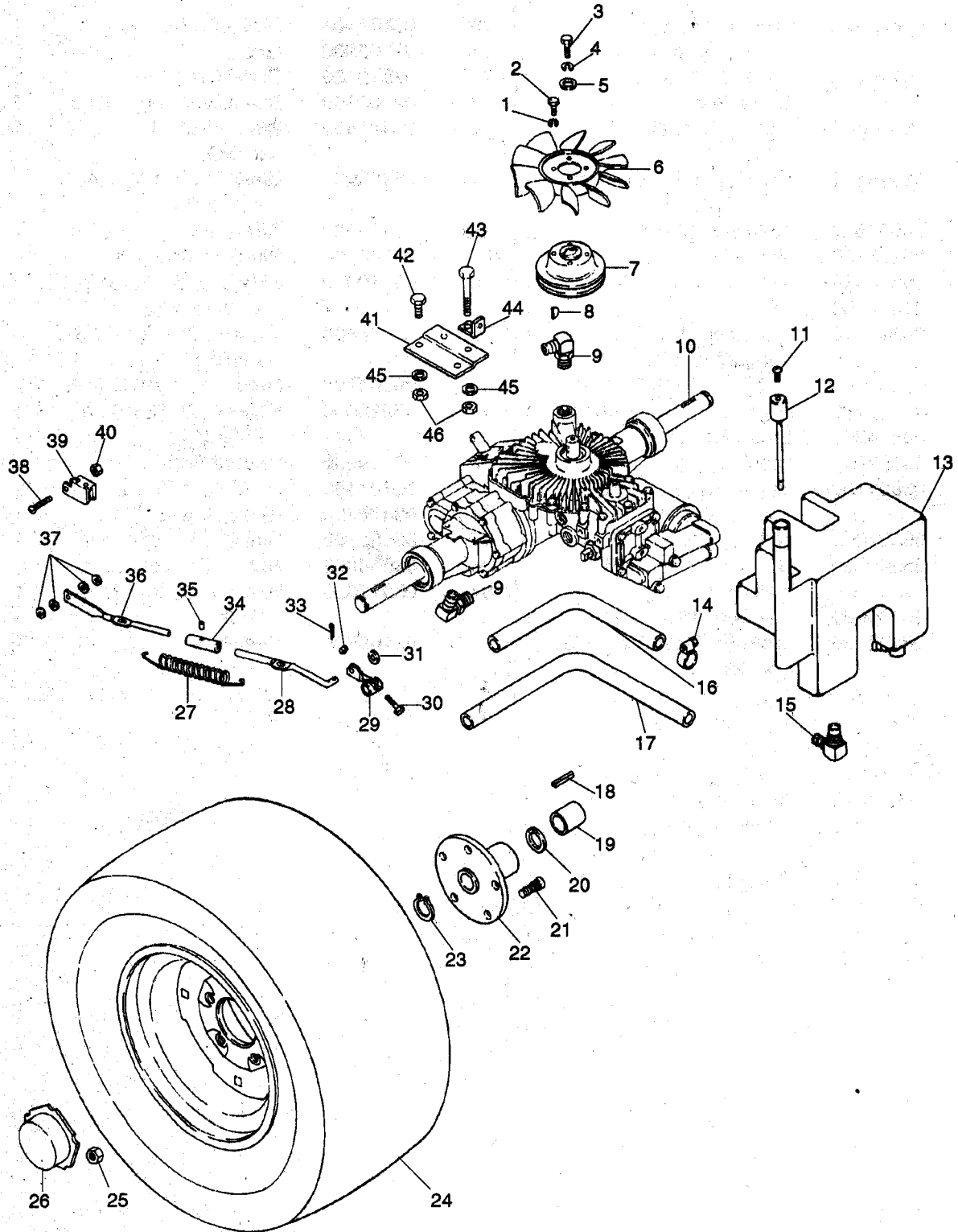
Brake

934019,020

ITEM NO.	PART NO.	DESCRIPTION	QTY	ITEM NO.	PART NO.	DESCRIPTION	QTY
1	06404300	Wshr-FI-Stl .406 x .812 x .065 PI	7	20	03488100	Brake Pedal	1
2	06700200	Pin-Cotr .09 x 1.0 PI	3	21	07503000	Grip	2
3	03449400	Brake Rod	1	22	07512100	Pedal Cover	1
4	06517100	Nut-Lh Thd .375-16 Gr 2 PI	1	23	02209300	Spin Drive Zerk Fitting	2
5	06515500	Nut-Cuplg RH & LH Thd .37-16 PI	1	24	06423400	Wshr-FI-Stl .406 x 1.50 x .049 PI	1
6	06501800	Nut-Hex .375-16	1	25	06409200	Wshr-FI-Stl .188 x .438 x .049 PI	1
7	03453600	Brake Rod	1	26	03454100	Arm-Park	1
8	05803400	Pin-Roll .125 x .75	1	27	06700300	Pin-Cotr .06 x .50	1
9	03448700	Pivot	1	28	05510900	Bshg-Flg .625 x .875 x .750 x 1 Hx	2
10	08324800	Sg-Comp .125 x .74 x 6.27 Wld 85	1	29	06400400	Wshr-FI-Stl .656 x 1.312 x .095 PI	2
11	06503900	Nut-Lk .375-16 Gr A PI	4	30	06504200	Nut-Lk .312-18 Gr A PI	2
12	07512400	Push/Pull Control Knob	1	31	05926000	Blt-Hex .31-18 x 3.50 PI Gr 2	1
13	03454300	Brake-Rod Park	1	32	03449600	Neutral Rod	1
14	03451800	Bracket	1	33	06701100	Pin-Cotr .15 x 1.25	2
15	06201100	Blt-Rdhdsqnk .31-18 x .75 Gr 5 PI	8	34	03475400	Brake Shaft	1
16	06507800	Nut-Flg .312-18 PI	8	35	03583200	Clevis	1
17	05902300	Blt-Hex .38-16 x .75 PI Gr 2	1	36	06504000	Nut-Lk-Ctr .250-20 PI	1
18	06700600	Pin-Cotr .18 x 1.25 PI	1	37	05917300	Blt-Hex .25-20 x 1.75 Gr 2	1
19	06415100	Wshr-FI-Stl .699 x 1.375 x .059	4	38	03469800	Rod Pivot	1

Hydrostatic Drive

934019,020



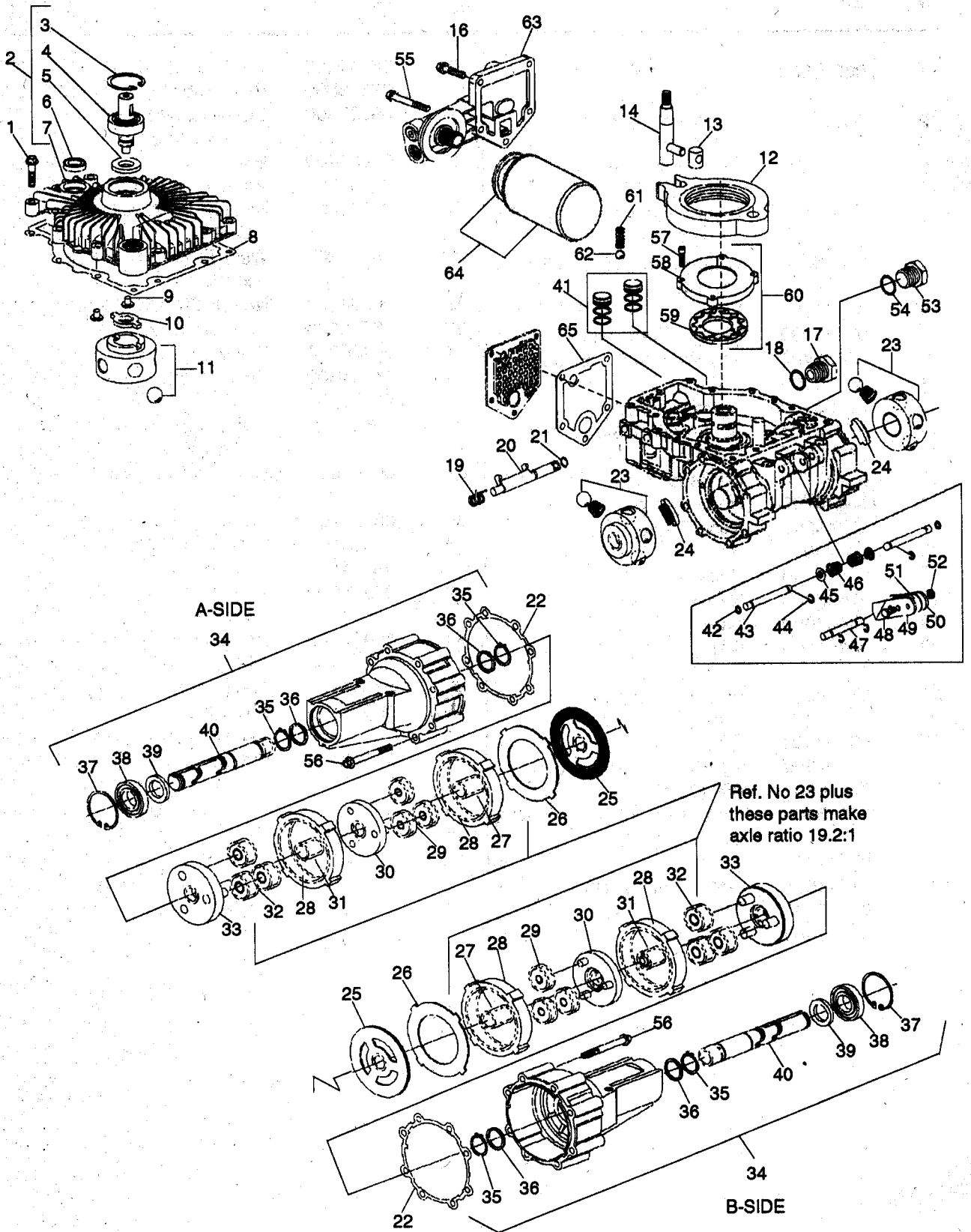
Hydrostatic Drive

934019,020

ITEM NO.	PART NO.	DESCRIPTION	QTY	ITEM NO.	PART NO.	DESCRIPTION	QTY
1	06302600	Wshr-Lock Ext #10 ID x .022	4	25	06511400	Nut-Lug .437-20 PI	10
2	05909700	Blt-Hex 10-24 x .38 PI Gr 2	4	26	07508800	Rear Hub Cap	2
3	05908300	Blt-Hex .25-20 x 1.00 PI Gr 5	1	27	08325300	Sg-Tens .090 x .96 x 4.0 Wld 23	1
4	06300200	Wshr-Lock .250 x .077 Hvy PI	1	28	03455400	Pin	1
5	06410000	Wshr-FI-Stl .265 x 1.370 x .145	1	29	03453900	Arm-Dump Valve	1
6	03570000	Fan	1	30	05913200	Blt-Hex .25-20 x 1.00 Gr 2	1
7	03465500	Sheave-Transaxle	1	31	06412300	Wshr-FI-Stl .344 x .688 x .065 PI	1
8	06601400	Key-Wdrf .188 x .62 x .25	1	32	06504000	Nut-Lk-Ctr .250-20 PII	1
9	03450600	Fitting	2	33	06700100	Pin-Cotr .09 x .75 PI	1
10	03465400	Transaxle-Hydro	1	34	03456000	Collar	1
11	07010700	Scr-Went Sl 8-32 x .250	1	35	05804800	Pin-Roll .125 x .63	1
12	03449800	Dip Stick	1	36	03453700	Rod	1
13	03447700	Oil Reservoir	1	37	06412700	Wshr-FI-Stl .281 x .62 .065 PI	4
14	03449700	Hose Clamp	4	38	06101600	Scr-Mch 10-24 x .88 Slrd PI	1
15	03449200	Hose Fitting	2	39	03429700	Latch	1
16	03449000	Hose	1	40	06504100	Nut-Lk Top 10-24 PI	1
17	03449100	Hose	1	41	03447500	Bracket	2
18	06602100	Key-Str .25 x 2.0 x .25	2	42	05914500	Blt-Hex .38-16 x 1.00 PI Gr 5	4
19	03447600	Spacer	2	43	05923400	Blt-Hex .38-16 x 3.25 PI Gr 5	4
20	06404600	Wshr-FI-Stl 1.010 x 1.505 x .062 PI	4	44	03458100	Spring Anchor	1
21	07008300	Blt-Lug Wernkhdnd .44-20 x 1.188	10	45	06414500	Wshr-FI-Stl .390 x .750 x .125 PI	4
22	03438600	Wheel Hub	2	46	06512200	Nut-Lk Top .375-16 Gr C PI	4
23	05707300	Rg-Rtng-Ext 1.00 x .078	2				
24	07110600	Whl (20)	2				
	07115400	T/Whl Assy 10.50 x 23 (20)	2				
	07111900	Tire (20)	2				
	07111500	Whl 12 x 8.50 (19)	2				
	07115700	T/Whl Assy (19)	2				
	07112000	Tire (19)	2				

851 Model Hydro Transaxles

934019,020



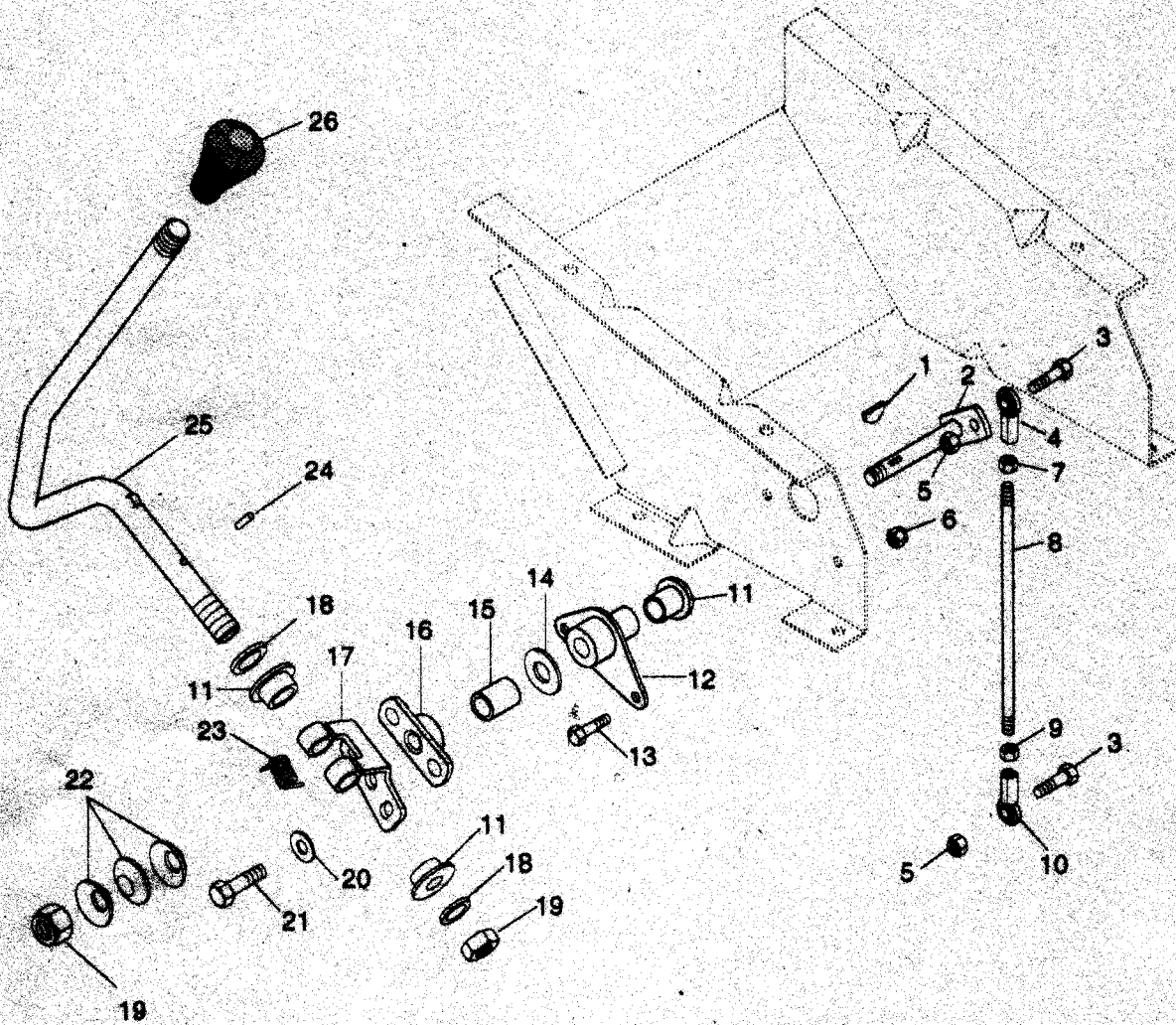
851 Model Hydro Transaxles

934019,020

ITEM NO.	PART NO.	DESCRIPTION	QTY	ITEM NO.	PART NO.	DESCRIPTION	QTY
1	03595800	Screw, 1/4-20 Self Tap	13	35	03595600	Retaining Ring, Ext.-B	4
2	53403700	Cover	1	36	03595700	Washer, Thrust	4
3	03593200	Ring Retaining, Int	3	37	03595200	Retaining Ring, Int.	2
4	53404900	Input Shaft	1	38	03595500	Bearing, Axle Shaft	2
5	03416100	Seal, Input Shaft	1	39	03595400	Seal Axle Shaft	2
6	03593400	Seal, Control Shaft	1	40	03477100	Axle Shaft	2
7	03428300	Cover	1	41	03477200	Piston	2
8	03436700	Gasket, Cover	1	42	03477400	Quad Seal	2
9	03439100	Button	2	43	03477500	Push Rod	2
10	03596000	Drive	1	44	03477600	E-Ring	4
11	03465900	Pump, Rotor-Ball-Pin S/A	1	45	03477700	Spring Base	2
12	03455300	Cam Ring	1	46	03477800	Conical Spring	2
13	03594100	Insert	1	47	03477900	Brake Shaft	1
14	03594200	Control Shaft Subassembly	1	48	05908200	Blt-Hex .25-20 x .75 PI Gr 5	1
16	03594800	W, 1/4-20 Hes Flange	16	49	03478000	Brake Lever, RH	1
17	03467600	Dump Valve Nut	1	50	03478100	Brake Lever, LH	1
18	03598100	O-Ring	1	51	03478200	Shims	A/R
19	03466100	Spring, Dump Valve	1	52	06507000	Nut-Lk Top .250-20 PI	1
20	03466200	Bracket, Dump Valve	1	53	03478900	.625 RT Angle Fitting/ O-Ring	1
21	03466300	O-Ring, Dump Valve Bracket	1	54	03598100	O-Ring	1
22	03463000	Gasket, Axle Housing	1	55	03478800	Screw 1/4-20 Hex Flange	2
23	03466700	15T Motor, Rotor-Ball S/A	2				
24	03465700	Pad, Friction	2	56	03476900	Screw 5/16 Hex Flange	16
25	03479100	Plate, Reaction	2	57	03478300	Screw, Socket, Cap	4
26	03475900	Plate, Backup	2	58	03478400	Pump Plate	1
27	03477300	Sun Gear 15T, First	2	59	03478500	Gerotor	1
28	03476200	Ring Gear 57T	4	60	03478600	Plate, Pump & Gerotor	1
29	03476700	Planet Gear 21T	6	61	03467700	Spring, Relief Valve	1
30	03476300	Primary Carrier 15T	2	62	03467900	Ball, Grade 200	1
31	03476400	Sun Gear 1st, Second	2	63	03466500	Filter Base S/A	1
32	03479000	Planet Gear 21T, Second	6	64	03467800	Filter, Oil (Wiseal)	1
33	03476500	Planet Gear 21T, Second	2	65	03466400	Gasket, Filter Base	1
34	03476600	Axle Housing	2				

Speed Selector

9340019,020



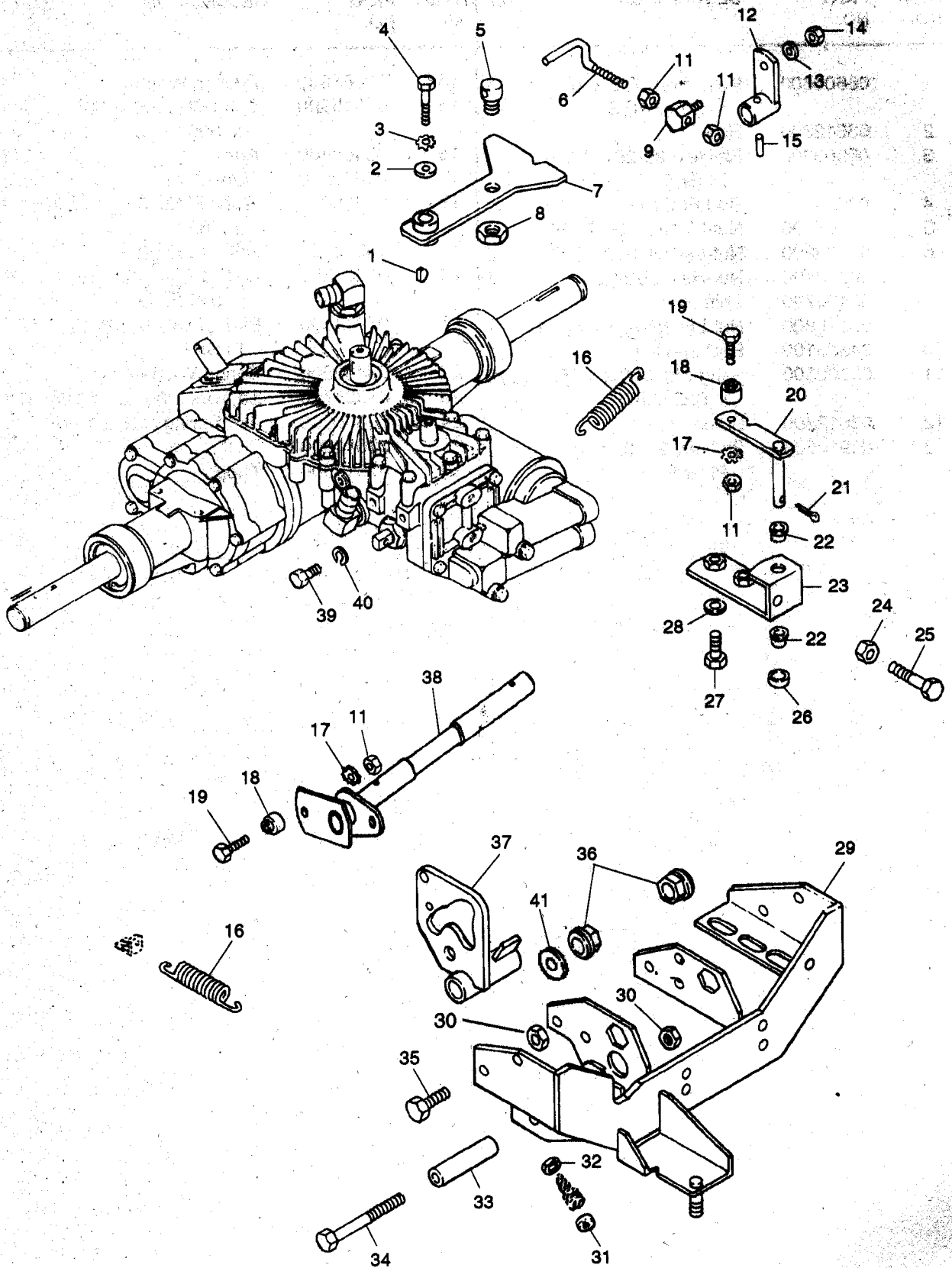
Speed Selector

934019,020

ITEM NO.	PART NO.	DESCRIPTION	QTY	ITEM NO.	PART NO.	DESCRIPTION	QTY
1	06600600	Key, Wdrf .125 x .50 x .203 SAE 3	1	14	03463300	Friction Washer	1
				15	05515900	Bshg-Slv .500 x .625 x .500	1
2	03612300	Rod	1				
3	05908300	Blt-Hex .25-20 x 1.00 PI Gr 5	2	16	03463400	Arm	1
				17	03450200	Outer Arm	1
4	03573200	Rod End RH	1	18	06425300	Wshr-FI-Stl .531 x 1.000 x .063	2
5	06506600	Nut-Lk-Nyl .250-20 PI	2				
6	06506200	Nut-Lk-Nyl .312-18 PI	3	19	06512100	Nut-Lk .50-20 PI	2
7	06522700	Nut-Hex .250-28	1	20	06404300	Wshr-FI-Stl .406 x .812 x .065 PI	1
8	03494700	Shift Rod	1				
9	06516800	Nut-LH .250-28 Gr 2 PI	1	21	05914500	Blt-Hex .38-16 x 1.00 PI Gr 5	2
10	04535100	Rod End LH.	1				
11	05502500	Bshg-Flg .500 x .625 x .625 x .875	3	22	03463500	Spring Washer	3
				23	08325700	Sg-Tors .08 x .56 x .65	1
12	03612400	Brace	1	24	05800900	Pin, Spring .125 x 1.00	1
13	05913500	Blt-Hex .31-18 x .75 PI Gr 5	2	25	03612500	Shift Lever	1
				26	07514500	Knob	1

Neutralizer

934019,020



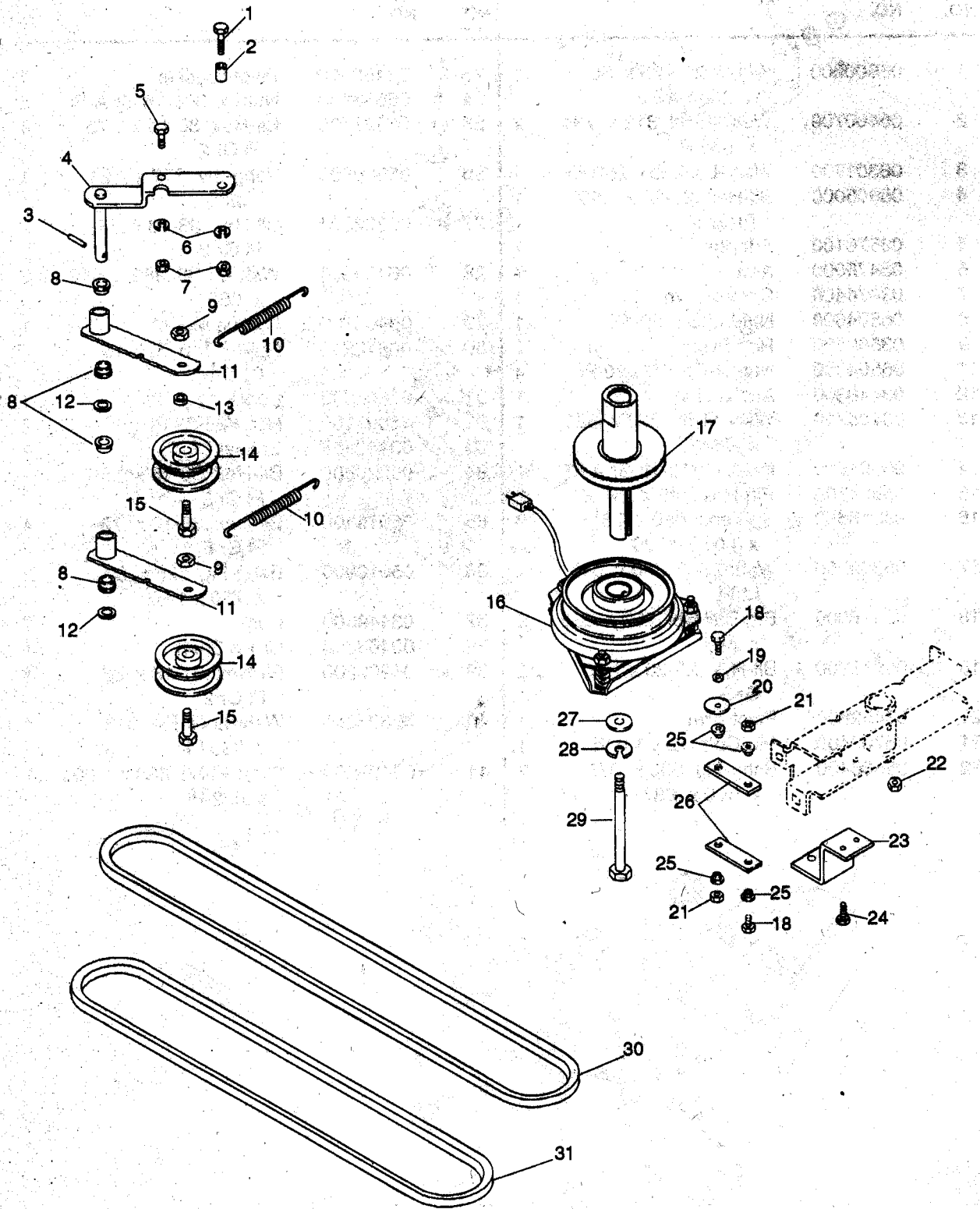
Neutralizer

934019,020

ITEM NO.	PART NO.	DESCRIPTION	QTY	ITEM NO.	PART NO.	DESCRIPTION	QTY
1	06600600	Key-Wdrf .125 x .50 x .203 SAE 3	1	23	03452600	Pivot Bracket	1
2	06400700	Wshr-FI-Stl .312 x .734 x .065 PI	1	24	06503900	Nut-Lk .375-16 Gr A PI	2
3	06301700	Wshr-Lock Ext .250 ID	1	25	05921700	Blt-Hex .38-16 x 1.75 PI Gr 2	1
4	05905000	Blt-Hex .25-20 x 1.50 PI Gr 5	1	26	05508900	Bshg-Slv .377 x .624 x .235	1
5	03576100	Adapter	1	27	05902300	Blt-Hex .38-16 x .75 PI Gr 2	2
6	03475000	Arm	1	28	06409300	Wshr-FI-Stl .382 x .812 x .062	2
7	03474400	Control Arm	1	29	03463700	Forque Mount	1
8	06504600	Nut-Lk0Ctr .50-13	1	30	06512200	Nut-Lk Top .375-16 Gr C PI	2
9	03569800	Rod Pivot	1	31	07506300	Boot	1
11	06504000	Nut-Lk-Ctr .250-20 PI	4	32	06507100	Nut .625-32 PI	2
12	03448300	Arm & Hub	1	33	03447800	Spacer	1
13	06405700	Wshr-FI-Stl .323 x .625 x .062 PI	1	34	05920800	Blt-Hex .38-16 x 3.50 PI Gr 5	1
14	06504200	Nut-Lk .312-18 Gr A PI	1	35	05915400	Blt-Hex .38-16 x .75 PI Gr 5	4
15	05804700	Pin-Roll .125 x .88	2	36	05510900	Bshg-Flg .625 x .875 x .750 x 1 Hx	2
16	08318600	Sg-Tens .080 x .73 x 3.06 Wld 20	2	37	03449500	Cam	1
17	06302500	Wshr-Lock .250 x .047 Lt PI	2	38	03463600	Cross Shaft	1
18	05418000	Brg Ball Dbl .250 x .638 x .438	2	39	05900200	Blt-Hex .31-18 x .63 PI Gr 2	4
19	05913200	Blt-Hex .25-20 x 1.00 Gr 2	2	40	06303200	Wshr-Lock Ext .313 x .030 PI	4
20	03452800	Pivot Arm	1	41	06403900	Wshr-FI-Stl .630 x 1.005 x .062 PI	1
21	06700400	Pin-Cotr .12 x 1.0 PI	1				
22	05506400	Bshg-Flg .500 x .375 x .500 x .687	2				

Main Drive

934019,020



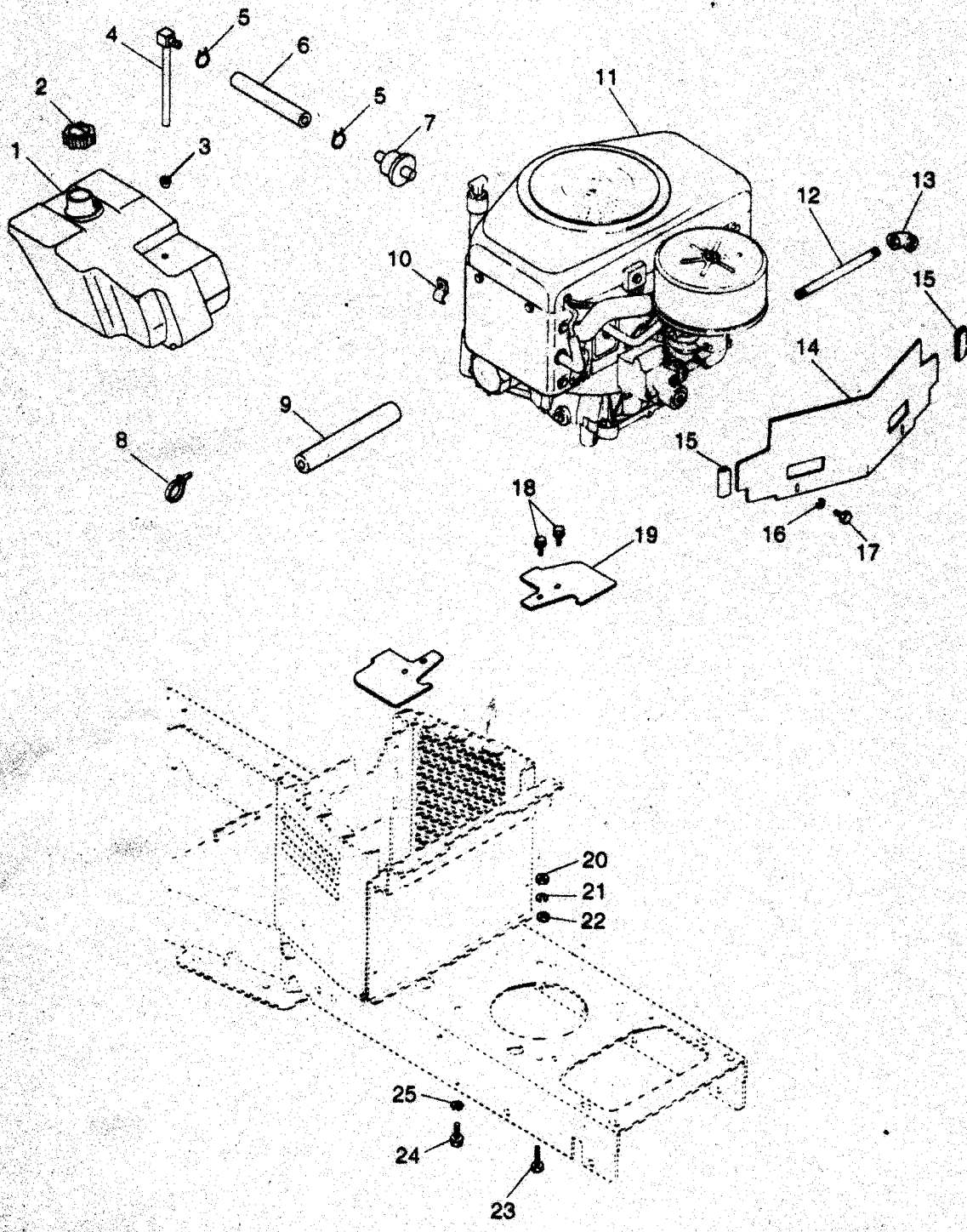
Main Drive

934019,020

ITEM NO.	PART NO.	DESCRIPTION	QTY	ITEM NO.	PART NO.	DESCRIPTION	QTY
1	05904500	Blt-Hex .31-18 x 1.50 PI Gr 2	2	16	03450500	Electric Clutch	1
2	03418600	Spacer	2	17	03468300	Extension Shaft	1
3	05801600	Pin-Roll .188 x 1.00	1	18	05928300	Blt-Hex 10-24 x 1.00 PI Gr 2	2
4	03452700	Pivot	1	19	06406800	Wshr-FI-Stl .194 x .492 x .047 PI	1
5	05918100	Blt-Hex .31-18 x 1.00 PI Gr 5	1	20	06403700	Wshr-FI-Stl .281 x 1.250 x .062 PI	1
6	06300300	Wshr-Lock .312 ID Heavy PI	3	21	06504100	Nut-Lk Top 10-24 PI	2
7	06501500	Nut-Hex .312-18	3	22	06506600	Nut-Lk-Nyl .250-20 PI	2
8	05503700	Bshg-Flg .500 x .625 x .312 x .75 Ony	4	23	03452300	Torque Bracket	1
9	06512200	Nut-Lk Top .375-16 Gr C PI	2	24	05908200	Blt-Hex .25-20 x .75 PI Gr 5	2
10	08320200	Sg-Tens .085 x .60 x 5.13 Wld 8.3	2	25	03015600	Special Washer	4
11	03485800	Idler Arm	2	26	03036200	Link	2
12	06418000	Wshr-FI-Stl .520 x .827 x .062 PI	2	27	06423200	Wshr-FI-Stl .463 x 1.375 x .250 PI	1
13	05508900	Bshg-Slv .377 x .624 x .235	1	28	06300500	Wshr-Lock .438 x .133 Hvy	1
14	07308900	Idler - 2.25 x .87	2	29	05927600	Blt-Hex .44-20 x 5.50 PI Gr 5	1
15	05915100	Blt-Hex .38-16 x 1.50 PI Gr 5	2	30	07217000	V-Belt SAE-380 86.046	1
				31	07213500	V-Belt	1

Engine, Baffles and Fuel

934019,020



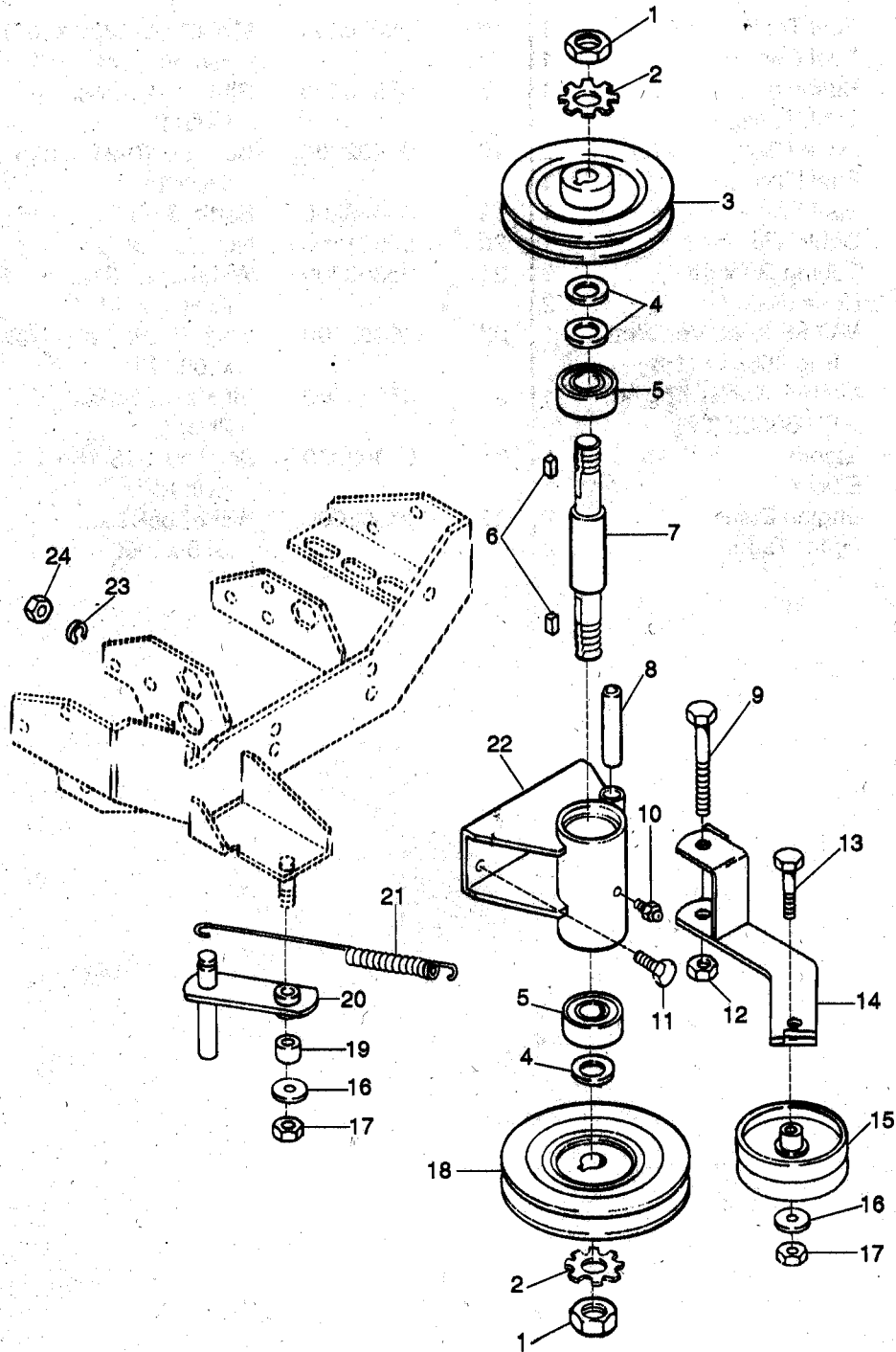
Engine, Baffles and Fuel

934019,020

ITEM NO.	PART NO.	DESCRIPTION	QTY	ITEM NO.	PART NO.	DESCRIPTION	QTY
1	03606100	Fuel Tank	1	16	06300200	Wshr-Lock .250 x .077	2
2	03601900	Fuel Cap	1			Hvy PI	
3	07511400	Bushing	1	17	05910400	Blt-Hex .25-20 x .38	2
4	03606500	Tank Fitting	1			PI Gr 2	
5	02917200	Hose Clamp	2	18	07402600	Scr-Tap 10-24 x .375	2
6	03081800	Fuel Line	1			Crph 1A	
7	02910800	Fuel Filter	1	19	03446200	Baffle-Side	2
8	07517300	Cable Tie	1	20	06501500	Nut-Hex .312-18	2
9	03438300	Tubing-Sponge	2	21	06300300	Wshr-Lock .312	2
10	06913500	Hose Clamp	2			ID Heavy PI	
11	08228600	MV16S Kohl, Ver. Shft Eng #56514 (19)	1	22	06405700	Wshr-FI-Stl .323 x .625 x .062 PI	2
	08228700	MV18S Kohler Engine PS-58532 (20)	1	23	05914000	Blt-Hex .31-18 x 1.50	2
						PI Gr 5	
12	03446600	Nipple	1	24	07403000	Scr-Tap .375-16 x 1.0	2
13	03409200	Elbow	1			Hwh PI Tr	
14	03446100	Engine Baffle	2	25	06303000	Wshr-Lock Ext	2
15	03441800	Foam Tape	2			.375 x .050	

Jackshaft (PTO)

934019,020



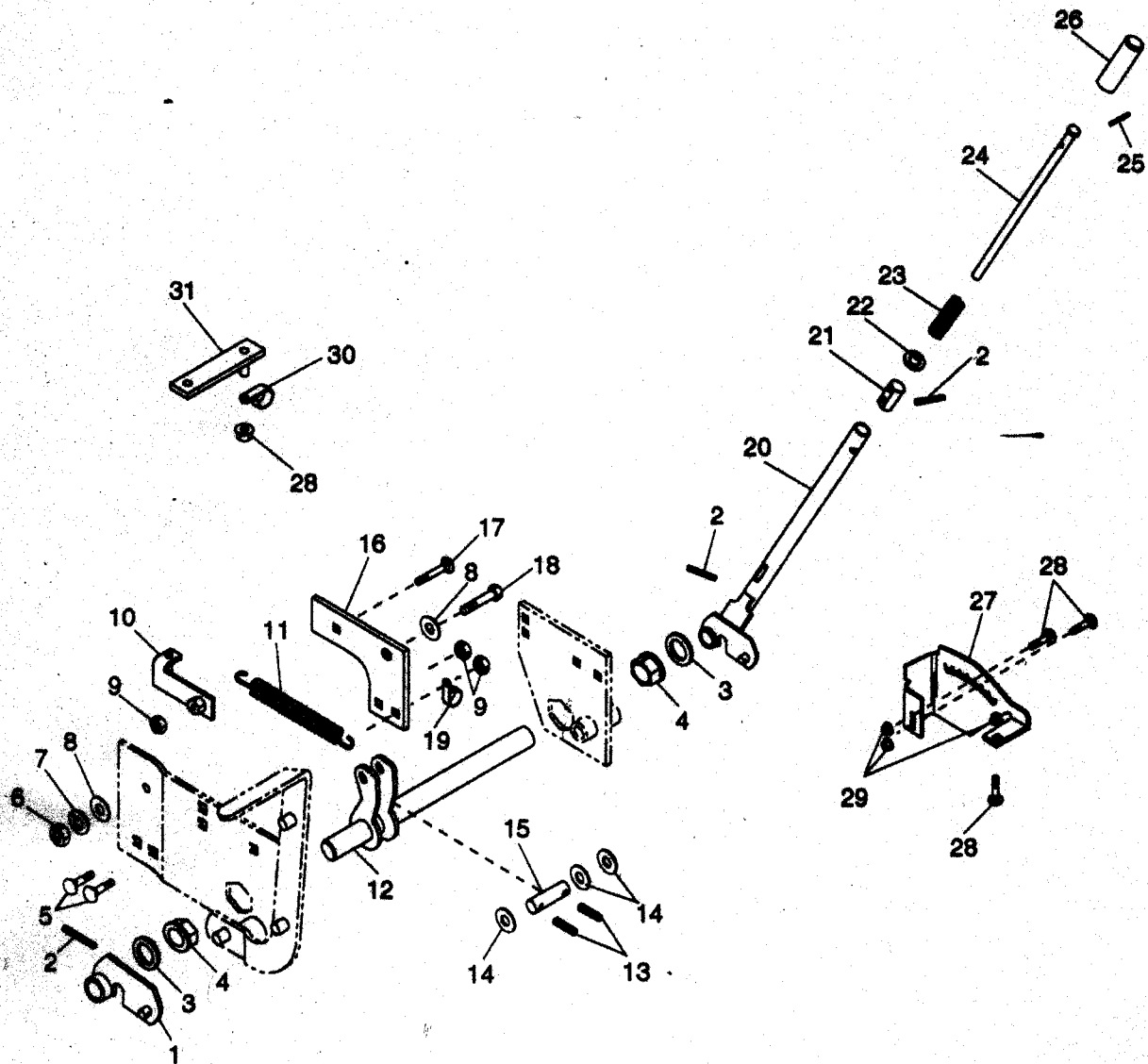
Jackshaft (PTO)

934019,020

ITEM NO.	PART NO.	DESCRIPTION	QTY	ITEM NO.	PART NO.	DESCRIPTION	QTY
1	06502500	Nut-Jam .75-10 PI	2	13	05916100	Blt-Hex .38-16 x 1.75 PI Gr 5	1
2	03559000	Star Washer	2	14	03475100	Idler Arm	1
3	03454400	Sheave	1	15	07314000	Idler-Flat 3.25 x .38 Nwhamshr	1
4	06408800	Wshr-FI-Stl .755 x 1.250 x .125	3	16	06414500	Wshr-FI-Stl .390 x .750 x .125 PI	2
5	05412000	Brg-Ball .750 x 1.781 x .61	2	17	06503900	Nut-Lk .375-16 Gr A PI	2
6	06606100	Key-Sq .188 x .75 x .188	2	18	03454800	Sheave	1
7	03453200	Jackshaft	1	19	03455700	Tube	1
8	03455900	Tube	1	20	03455500	Spring Arm	1
9	05916000	Blt-Hex .38-16 x 2.75 PI Gr 5	1	21	08325600	Sg-Tens .095 x .62 x 9.25 Wld	1
10	02209300	Spin Drive Zerk Fitting	1	22	03453100	Spindle	1
11	05918100	Blt-Hex .31-18 x 1.00 PI Gr 5	4	23	06300300	Wshr-Lock .312 ID Heavy PI	4
12	06506000	Nut-Lk-Jam-Ctr .375-16 PI	1	24	06501500	Nut-Hex .312-18	4

Manual Lift System

934019



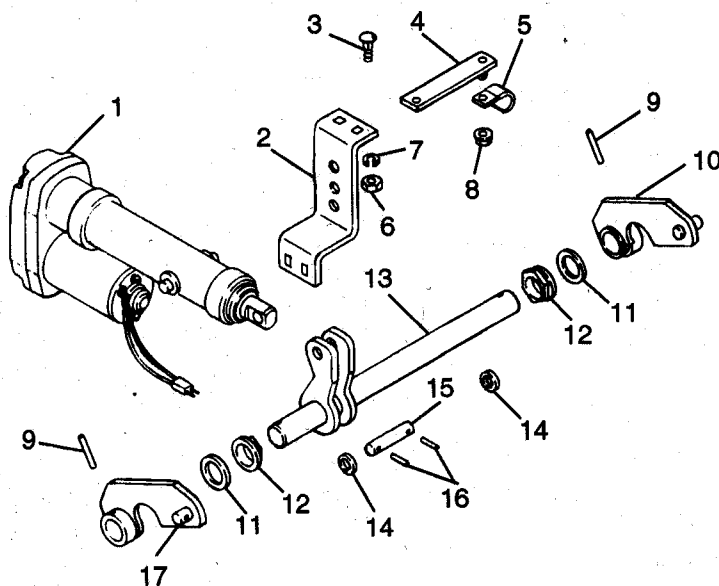
Manual Lift System

934019

ITEM NO.	PART NO.	DESCRIPTION	QTY	ITEM NO.	PART NO.	DESCRIPTION	QTY
1	03451600	Lift Arm RH	1	15	03457100	Pin	1
2	05807100	Pin-Grv .250 x 1.50 TPA	4	16	03474200	Mount	1
3	06418500	Wshr-FI-Stl 1.015 x 1.500 x .125	2	17	06200300	Blt-Rdhdsqnk .38-16 x 1.75 PI	1
4	05513800	Bshg-Flg 1.000 1.25 x .49 x 1.56 Hx	2	18	05904200	Blt-Hex .50-13 x 1.25 PI Gr 2	1
5	06201300	Blt-Rdhdsqnk .38-16 x 1.00	2	19	06909400	J-Clamp	1
6	06502100	Nut .50-13 PI	1	20	03337800	Lift Lever	1
7	06300600	Wshr-Lock .500 x .151 Hvy PI	1	21	03470500	Hex	1
8	06404700	Wshr-FI-Stl .511 x 1.441 x .125 PI	2	22	06409600	Wshr-FI-Stl .458 x .750 x .60 PI	1
9	06503900	Nut-Lk .375-16 Gr A PI	3	23	08310400	Sg-Comp .048 x .59 x 2.06 Wld 9	1
10	03474300	Pivot	1	24	03470400	Rod	1
11	08317700	Sg-Tens	1	25	05807800	Pin-Roll .125 x .63	1
12	03451900	Lift Pivot	1	26	07518700	Handle Grip	1
13	05801600	Pin-Roll .188 x 1.00	2	27	03337700	Lift Quad	1
14	06418000	Wshr-FI-Stl .520 x .827 x .062 PI	3	28	06201500	Blt-Rdhdsqnk .312-18 x 1.00 PI	3
				29	06507800	Nut-Fig. .312-18 PI	4
				30	06916000	J-Clamp	1
				31	03454600	Bracket	1

Electric Lift System

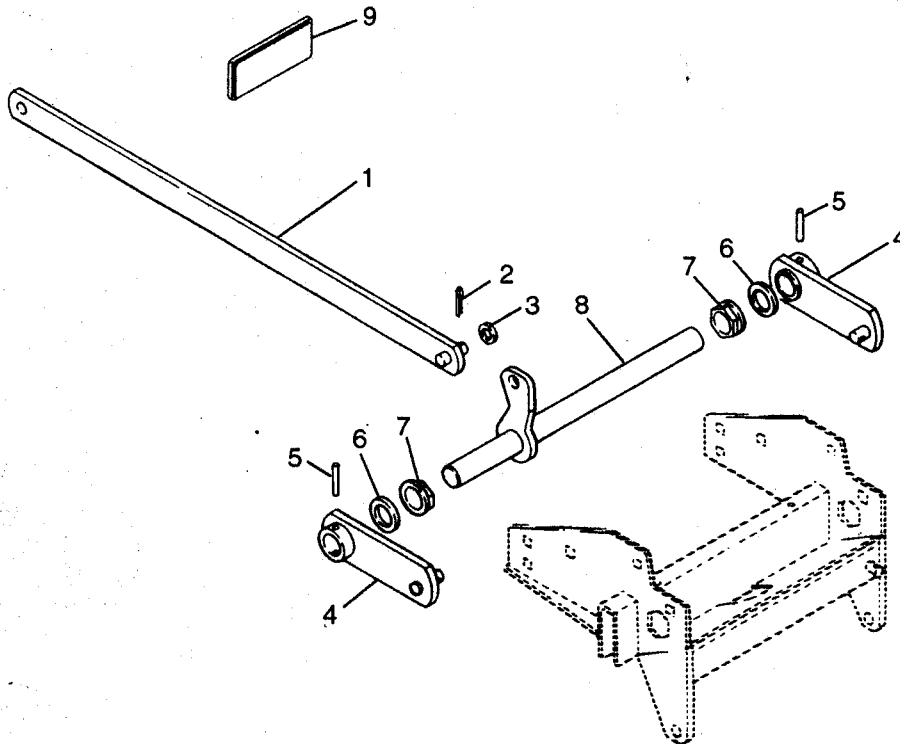
934020



ITEM NO.	PART NO.	DESCRIPTION	QTY	ITEM NO.	PART NO.	DESCRIPTION	QTY
1	03450300	Actuator	1	10	03451500	Lift Arm L.H.	1
2	03451700	Bracket-Actuator	2	11	06418500	Wshr-FI-Stl 1.015 X1.500 x .125	2
3	06201500	Blt-Rdhdsqnk .312-18 x 1.00 PI	4	12	05513800	Bshg-Flg 1.000 x 1.25 x .49 x 1.56 Hx	2
4	03454600	Bracket	1	13	03451900	Lift Pivot	1
5	06910600	Clip	1	14	06418000	Wshr-FI-Stl .520 x .827 x .062 PI	2
6	06501500	Nut-Hex .312-18	4	15	03457100	Pin	1
7	06300300	Wshr-Lock .312 ID Heavy PI	4	16	05801600	Pin-Roll .188 x 1.00	2
8	06507800	Nut-Flg. .312-18 PI	1	17	03486100	Lift Arm RH	1
9	05807100	Pin-Grv .250 x 1.50 Tp A	2				

Front Shaft Kit

734009



ITEM NO.	PART NO.	DESCRIPTION	QTY	ITEM NO.	PART NO.	DESCRIPTION	QTY
1	03452200	Lift Link	1	6	06418500	Wshr-FI-Stl 1.015 x 1.500 x .125	2
2	06702600	Pin-Cotr .18 x 1.0 PI	1	7	05513800	Bshg-Flg 1.000 x 1.25 x .49 x 1.56 Hx	2
3	06418000	Wshr-FI-Stl .520 x .827 x .062 PI	1	8	03452100	Front Pivot	1
4	03452000	Front Lift Arm	2	9	03497500	Reflex Reflector	2
5	05807100	Pin-Grv .250 x 1.50 TPA	2				

Ask your dealer for information about these other fine Ariens Products:

- **Front and Rear Tine Tillers**
- **21" Walk-Behind Lawn Mowers**
- **Walk-Behind Sno-Thros**
- **Rear Engine Riding Mowers**
- **Yard and Garden Tractors**
- **Commercial Walk-Behind and Riding Mowers**

Ariens®

Ariens Company
655 W. Ryan Street
P.O. Box 157
Brillion, WI 54110-1098