

PARTS MANUAL

Ariens

TRAC-TEAM ATTACHMENTS

SAFETY MESSAGE

The product for which you have requested information or replacement parts is not a current product. The replacement models incorporate product designs, safety features, safety instructions or warnings which represent the latest "State Of The Art" developments. For your safety and those around you please contact your nearest Ariens/Gravelly Dealer for a demonstration of the current product safety provisions and features.

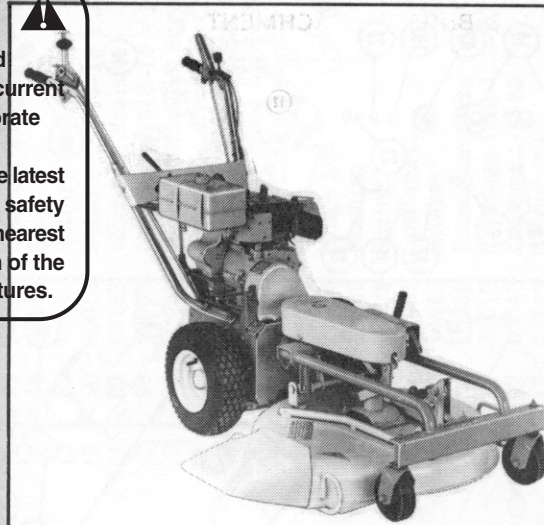
REEL MOWER
MODEL 910973
SERIAL NO. 000001 AND UP

ROTARY MOWER
MODEL 910011
SERIAL NO. 000001 AND UP

VACUUM ATTACHMENT
MODEL 910975
SERIAL NO. 000001 AND UP

BRUSH ATTACHMENT
MODEL 910012
SERIAL NO. 000600 AND UP

PM-14-72



WARRANTY

Ariens Company hereby warrants to the original retail purchaser all new products of its own manufacture to be free from defects in material and workmanship, for a period of one year except when used commercially or for rental purposes in which case the warranty period shall be for 45 days from date of original purchase, subject to the following exceptions:

1. Engine parts and service must be handled by the respective engine manufacturer.
2. A 90 day warranty will be extended on belts, tires, throttle controls, or any other items subject to normal wear:
3. No warranty is extended to any equipment which has been misused, neglected or damaged by accident. Ariens Company shall not be responsible for damage in transit or handling by any common carrier, and under no circumstances, within or without the warranty period, will the Company be liable for damages for loss of use, or damages resulting from delay, or any consequential damages.

It is the consumer's responsibility for: (1) Normal maintenance as greasing, gear case lubrication, minor adjustments, etc. (2) Transportation of any Ariens product to and from the place the warranty work is performed.

Ariens warranty WILL NOT APPLY to any products repaired or altered by anyone other than an Authorized Service Distributor or Authorized Service Dealer.

Any transportation charges incurred on any equipment claimed defective, which shall include time and expense of the distributor or dealer for pickup, and/or return of the equipment, shall be borne by the purchaser.

Ariens Company reserves the right to incorporate any changes in design into its products without obligation to make such changes on units previously manufactured.

DISCLAIMER OF FURTHER WARRANTY

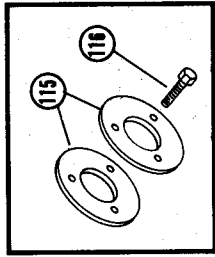
There are no warranties, express or implied, except as set forth above. There is no warranty of merchantability. There are no warranties which extend beyond the description of the product contained herein. In no event shall the company be liable for indirect, special or consequential damages (such as loss of anticipated profits) in connection with the retail purchaser's use of the product.

Ariens

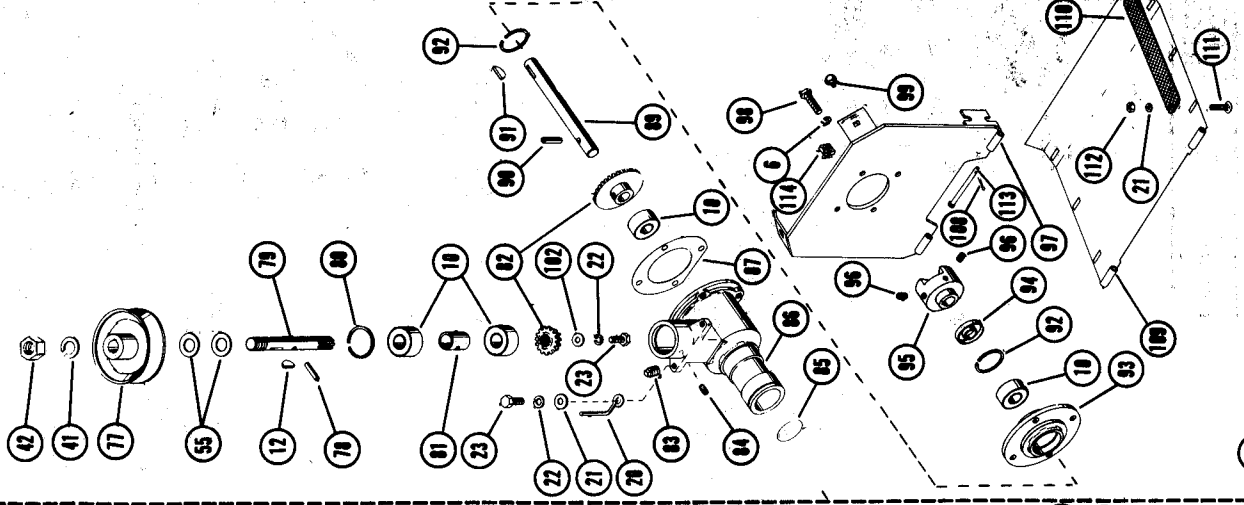
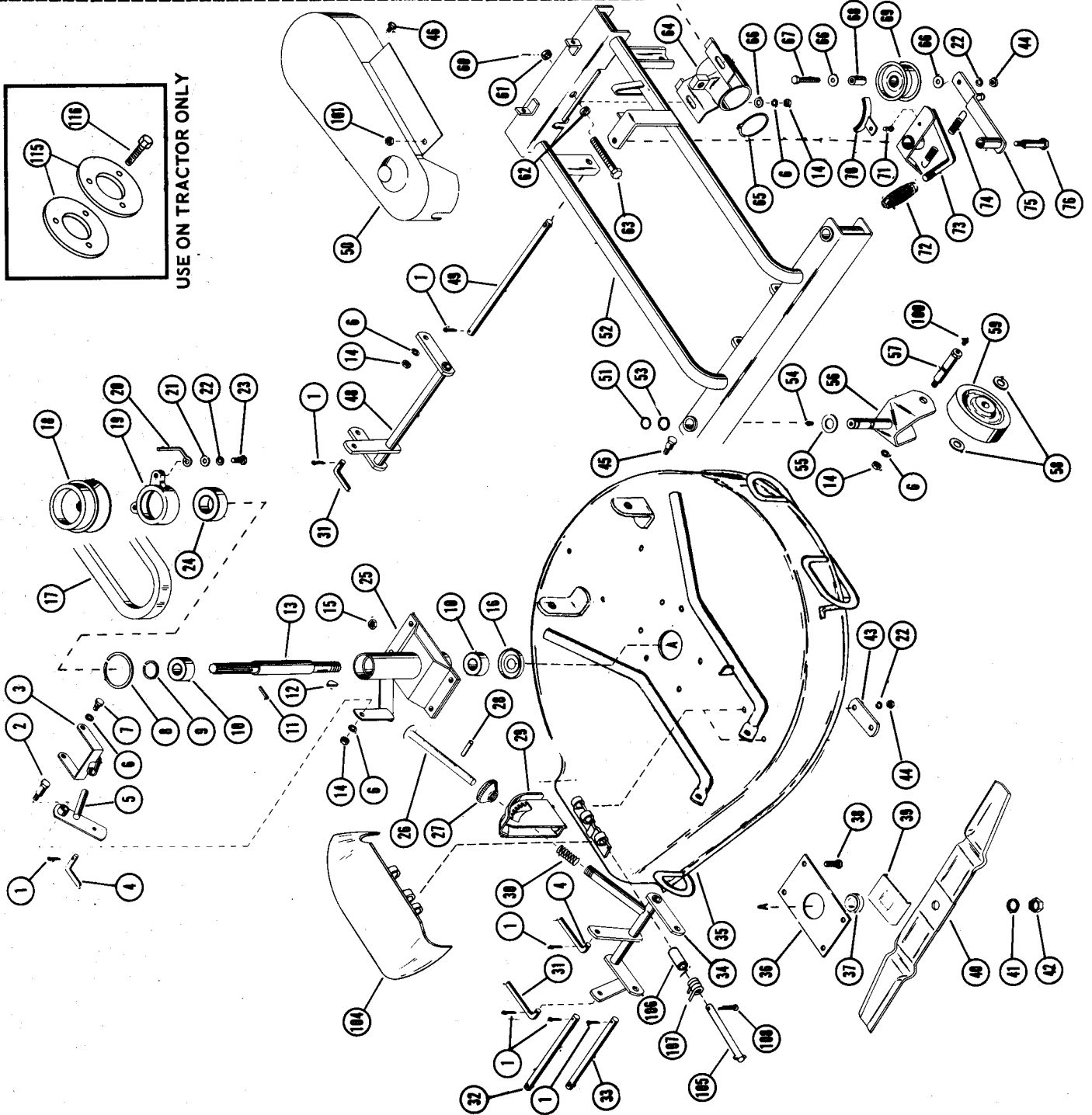
A CUT ABOVE THE REST

ARIENS COMPANY

BRILLION, WIS. 54110



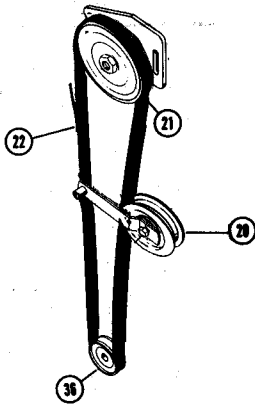
USE ON TRACTOR ONLY



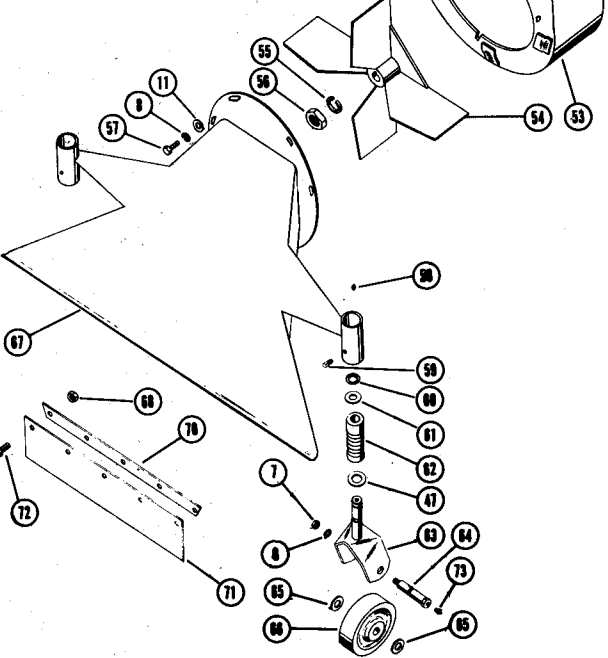
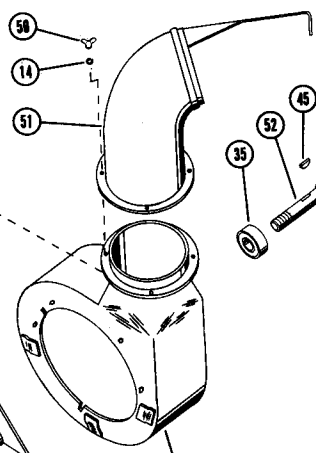
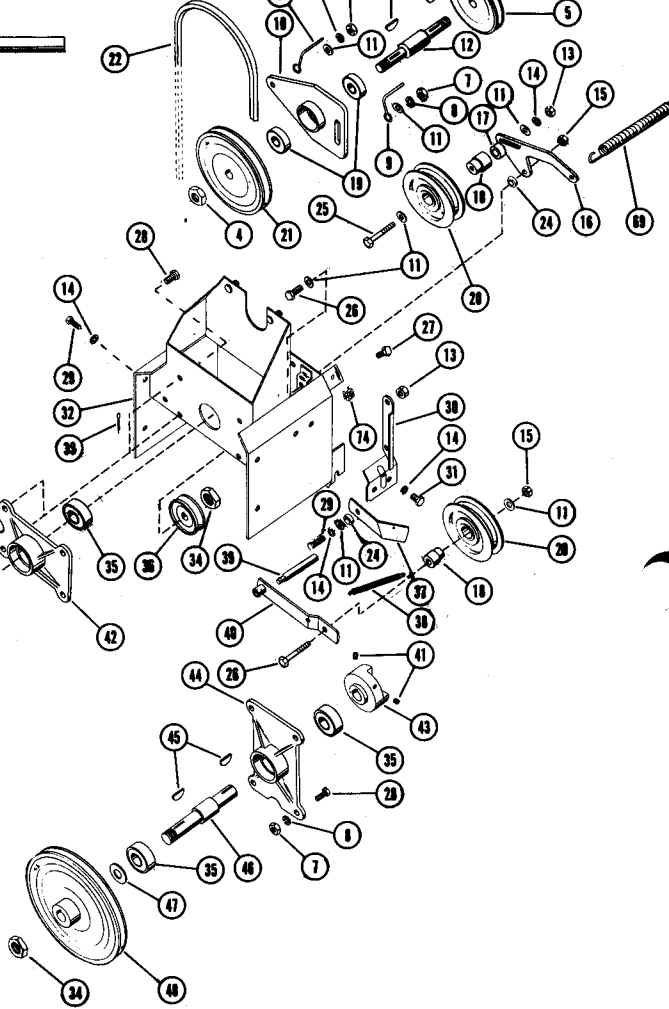
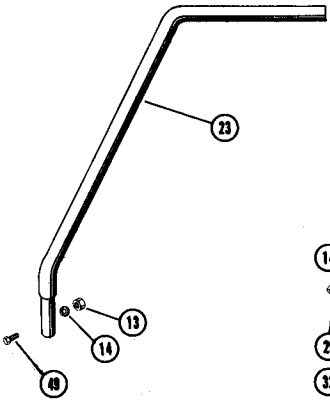
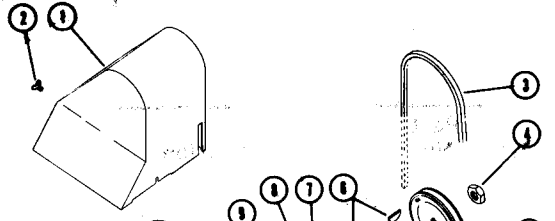
ORDER PART NUMBER
510005 TO RECEIVE ENTIRE
GEAR CASE ASSEMBLY

PARTS LIST ROTARY MOWER

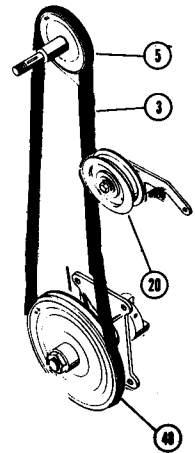
REF. PART NO.	DESCRIPTION	NO. REQ'D.	REF. PART NO.	DESCRIPTION	NO. REQ'D.	REF. PART NO.	DESCRIPTION	NO. REQ'D.
1	67004 Cotter Pin 1/8 x 1	7	43	3108 Reinforcing Strip	1	85	77006 Expansion Plug	1
2	3028 Shoulder Bolt	1	44	65015 Nut 5/16-18 Hex Plated	3	86	10503 Gear Case	1
3	10521 Yoke	1	45	3316 Shoulder Bolt	2	87	10506 Gasket	1
4	10524 Link Rod	1	46	70009 Flange Whizlock Screw 5/16-18 x 1/2	2	89	10504 Gear Shaft	1
5	10523 Yoke Lift lever	1	48	10514 Rear Lift Adapter	1	90	58017 Roll Pin 5/16 x 1-1/4	1
6	63004 Lockwasher 3/8-.145 x .115	13	49	10515 Rear Adapter Pin	1	91	66001 Woodruff Key #11	1
7	10522 Screw Pin	2	50	10531 Belt Guard	1	92	57034 Snap Ring	2
8	57046 Snap Ring	1	51	57042 Snap Ring	2	93	10505 Bearing Flange	1
9	57020 Snap Ring	1	52	10449 Frame	1	94	56050 Seal	1
10	54073 Ball Bearing	6	53	64041 Washer .754 I.D. x 1" O.D. x .032	2	95	1038 Tiller Driving Jaw	1
11	58009 Roll Pin 1/8 x 1	1	54	10353 Zerk Fitting 1/4-28	2	96	60012 Setscrew 5/16-18 x 3/8 Socket Head	1
12	66003 Woodruff Key #9	2	55	64064 Washer 1.375 x .755 x .125	4	97	10453 Mounting Bracket	2
13	10512 Mower Spindle	1	56	10409 Caster Fork	2	98	59005 Cap Screw 3/8-16 x 1-1/4	4
14	65018 Nut 3/8-16 Hex Full Plated	7	57	10532 Axle Bolt	2	99	70031 Flange Whizlock Screw 3/8-16 x 1/2	4
15	65039 Nut 3/8-16 Locknut Plated	4	58	64039 Washer 1" O.D. x .630 I.D. x .062	4	100	10354 Hydraulic Drive Fitting	2
16	3419 Bearing Slinger	1	59	10417 Caster Wheel	2	101	65001 Nut 3/8-16 Hex Jam Plated	1
17	72045 Belt	1	60	58023 Roll Pin 3/32 x 3/4	1	102	64044 Washer 7/8 x 21/64 I.D. x 7 Ga.	1
18	10519 Spindle Sheave	1	61	10530 Collar	1	103	510005 Gear Case Assembly	1
19	10520 Bearing Housing	1	62	10529 Spacer	1	104	25204 Chute	1
20	10161 L. H. Belt Finger	4	63	10528 Adjustment Screw	1	105	25205 Hinge Pin	1
21	64007 Washer 1/4 Wrought Plated	11	64	10502 Swivel Bracket	1	106	22029 Bushing	1
22	63003 Lockwasher 5/16-.130 x .097	8	65	57045 Snap Ring	1	107	83072 Spring	1
23	59022 Cap Screw 5/16-18 x 3/4 H.H.	5	66	64002 Washer 5/16 Wrought Plated	4	108	67001 Cotter Pin	3
24	54077 Ball Bearing	1	67	59073 Cap Screw 5/16-18 x 1-3/4 H.H.	1	109	10452 Shield	1
25	10511 Mower Spindle Housing	1	68	2026 Spacer	1	110	10451 Extension Strip	2
26	10517 Height Control Plunger	1	69	73068 Pulley	1	111	62017 Carriage Bolt 1/4-20 x 5/8 Round Head	6
27	10248 Shift Ball	1	70	3062 PTO Brake Shoe	1	112	65040 Locknut 1/4-20	6
28	58007 Roll Pin 1/4 x 1-1/4	1	71	68016 Rivet 1/4 x 1/2 Round Head	1	113	23310 Clevis Pin	2
29	3107 Height Adjustment Quadrant	1	72	75004 Grip	1	114	70026 Nut	2
30	83009 Spring	1	73	10526 Brake Lever	1	115	10450 Spacer	2
31	10525 Link Rod	1	74	83004 Spring	1	116	70032 Wheel Bolt	4
32	3105 Adapter Pin	1	75	10527 Idler Arm	1			6
33	10518 Front Adapter Pin	1	76	3016 Shoulder Bolt	1	78002	Labels and Decals (Not Illustrated)	1
34	10516 Front Lift Adapter	1	77	73058 Pulley	1	78003	Height Quadrant Label	1
35	10448 Mower Pan	1	78	58006 Roll Pin 1/4 x 1	1	78004	Mower (IN-OUT) Label	1
36	3117 Plate	1	79	10508 Pinion Shaft	1	78004	Logo - Decal	1
37	3169 Retainer Hub	1	80	602982 Snap Ring	1	78207	Discharge Caution Label	1
38	59004 Cap Screw 3/8-16 x 1 H.H.	4	81	10509 Bearing Spacer	1	78030	Attachment Label	1
39	3170 Blade Tray	1	82	10303 Bevel Pinion (Pairs Only)	1	78160	Safety Label	1
40	3165 Mower Blade	1				610986	Air Cleaner Kit (Not Illustrated)	1
41	63008 Lockwasher 3/4-.234 x .188	2	83	1138 Bevel Gear (Pairs Only)	1	78212	Clutch Label (Not Illustrated)	1
42	65025 Nut 3/4-10 Hex Jam Plated	2	84	60029 Pipe Plug 3/8 Square Head	1			1
				Setscrew 1/4-20 x 1/2 Socket Head	1			1



FORWARD BELT



REAR BELT



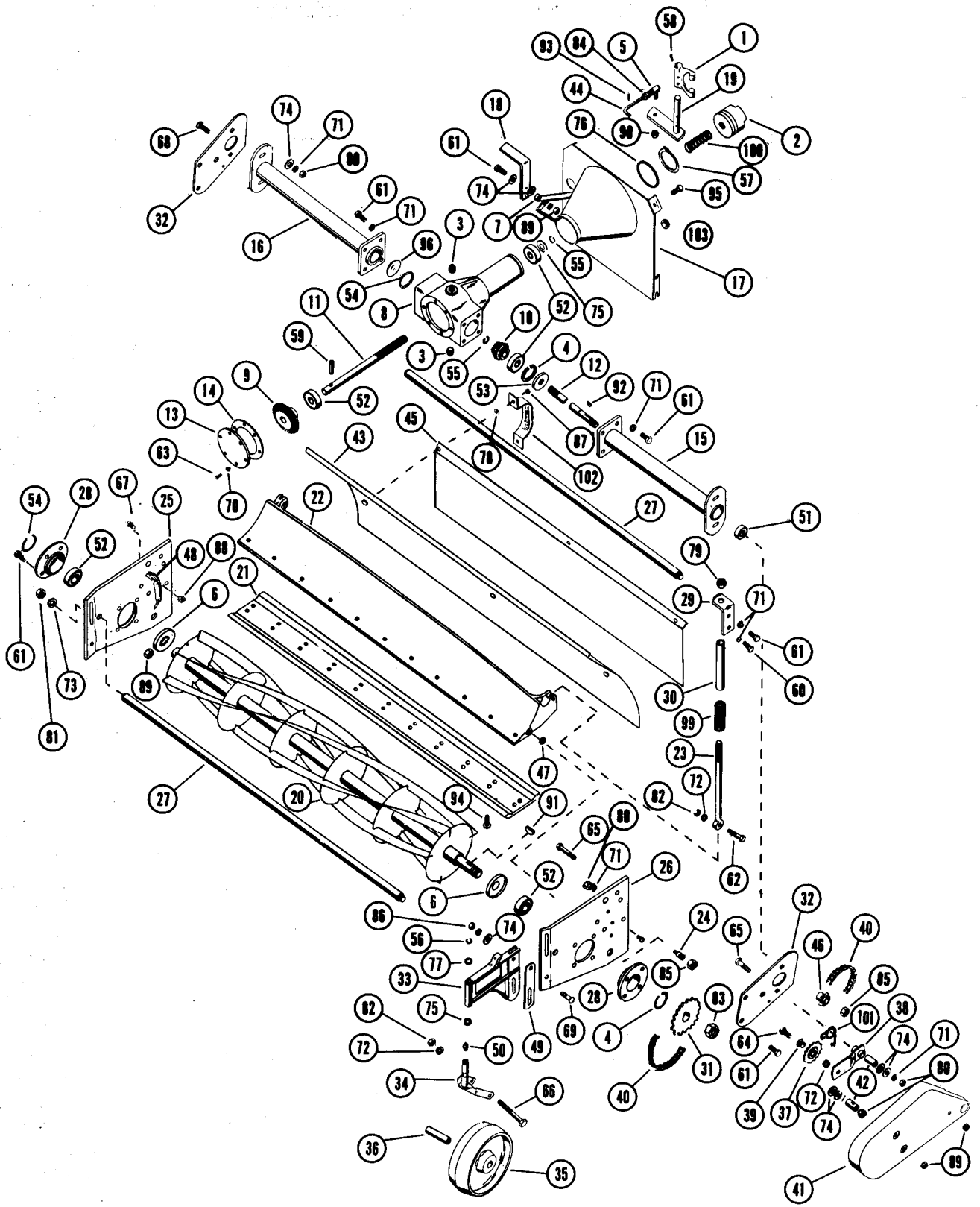
PARTS LIST VACUUM

Ref. Part No. No.	Description	No. Req'd.	Ref. Part No. No.	Description	No. Req'd.
1	10415	1	40	10403	1
2	70007	2	41	60012	2
3	72061	1	42	3128	1
4	65034	2	43	1038	1
5	73095	1	44	3427	1
6	66001	2	45	66003	4
7	65018	12	46	10402	1
8	63004	16	47	64064	3
9	10161	2	48	73094	1
10	3043	1	49	59073	1
11	64002	11	50	65038	4
12	3044	1	51	10413	1
13	65015	3	52	10405	1
14	63003	13	53	10406	1
15	65042	2	54	10407	1
16	10389	1	55	63008	1
17	10424	1	56	65025	1
18	12131	2	57	59023	4
19	54039	2	58	10353	2
20	12132	2	59	60026	2
21	73096	1	60	57042	2
22	72060	1	61	64041	2
23	10414	1	62	10426	2
24	6071	2	63	10427	2
25	59057	1	64	10532	2
26	59069	2	65	64039	4
27	70031	2	66	10417	2
28	59004	8	67	10425	1
29	59022	9	68	65040	5
30	10411	1	69	83004	1
31	59039	2	70	10422	1
32	10456	1	71	10423	1
33	67004	1	72	59001	5
34	65053	2	73	10354	2
35	54073	4	74	70026	2
36	73097	1		710976	1
37	10412	1		78023	1
38	83011	1		78030	1
39	10421	1		* 610986	1
				<u>OPTIONAL</u>	
				710977	1

CAUTION

ORDER PARTS BY PART NUMBER
NOT BY REFERENCE NUMBER. ANY
PART ORDERED BY REFERENCE
NUMBER WILL BE DISREGARDED.

*NOTE: COMPLETE AIR CLEANER KIT IS
SUPPLIED BY ARIENS COMPANY. ANY
REPLACEMENT PARTS MUST BE SEC-
URED FROM THE TECUMSEH SERVICE
CENTRAL.



PARTS LIST REEL MOWER

REF. PART NO. NO.	DESCRIPTION	NO. REQ'D.	REF. PART NO. NO.	DESCRIPTION	NO. REQ'D.
1	1008	1	52	54073	5
2	1039	1	53	56050	1
3	1138	2	54	57032	2
4	602982	2	55	57041	2
5	3060	1	56	57042	2
6	3419	2	57	57045	1
7	6071	1	58	58016	2
8	10301	1	59	58017	1
9	10302	1	60	59003	2
10	10303	1	61	59022	21
11	10304	1	62	59027	2
12	10305	1	63	59028	6
13	10306	1	64	59048	1
14	10307	1	65	59057	3
15	10308	1	66	59076	2
16	10309	1	67	61012	6
17	10310	1	68	62015	4
18	10311	1	69	62016	4
19	10312	1	70	63002	6
20	10313	1	71	63003	19
21	10314	1	72	63004	5
22	10315	1	73	63006	4
23	10316	2	74	64002	16
24	10317	2	75	64064	3
25	10318	1	76	64040	1
26	10319	1	77	64041	2
27	10321	2	78	64044	4
28	10322	2	79	65006	2
29	10323	2	80	65015	9
30	10324	2	81	65017	4
31	10325	1	82	65018	4
32	10326	2	83	65030	1
33	10327	2	84	65031	1
34	10328	2	85	65034	3
35	10329	2	86	65039	4
36	10330	2	87	65040	5
37	10331	1	88	65041	6
38	10332	1	89	65042	12
39	10334	1	90	65043	1
40	10335	1	91	66001	1
41	10336	1	92	66003	1
42	10337	3	93	67001	1
43	10338	1	94	70006	11
44	10340	1	95	70031	2
45	10341	1	96	77006	1
46	10342	1	97	78022	1
47	10345	2	98	78030	1
48	10351	2	99	83001	2
49	10352	2	100	83005	1
50	10353	2	101	83016	1
51	54039	1	102	83017	2
			103	70026	2

*Use Sealer

