



# Treker®

## Parts Manual

---



### Models

996123 – 420RX

996125 – 420RT

996146 – 440RX

996147 – 440CX

Gasoline containing up to 10% ethanol (E10) or up to 10% MTBE (methyl tertiary butyl ether) is acceptable for use in this machine. The use of any gasoline exceeding (10%) ethanol (E10) or (10%) MTBE will void the product warranty.

Il est possible d'utiliser de l'essence contenant jusqu'à 10% d'éthanol (E10) ou 10% de MTBE (éther méthylltertiobutylique) sur cette machine. L'utilisation d'une essence contenant plus de 10% d'éthanol (E10) ou de 10% de MTBE annulent la garantie.

En esta máquina puede utilizarse gasolina con hasta un 10% de etanol (E10) o hasta un 10% de MTBE (éter de metil butil terciario). El uso de cualquier otro tipo de gasolina con un porcentaje superior al 10% de etanol (E10) o al 10% de MTBE invalidará la garantía del producto.

## THE MANUAL

---

Before you operate your unit, carefully and completely read manuals supplied with the unit. The contents will provide you with an understanding of safety instructions and controls during normal operation and maintenance.

For your safety and the safety of others always read, understand, and follow all DANGER, WARNING, and CAUTION messages found in manuals and on safety decals.

Hardware descriptions are given in decimals.

Decimals to Fractions			
.063	1/16	.563	9/16
.125	1/8	.625	5/8
.188	3/16	.688	11/16
.250	1/4	.750	3/4
.313	5/16	.813	13/16
.375	3/8	.875	7/8
.438	7/16	.938	15/16
.500	1/2	1.00	1

## SERVICE AND REPLACEMENT PARTS

---

When ordering replacement parts or making service inquiries, know the Model and Serial numbers of your unit and engine.

Numbers are located on the product registration card in the unit literature package. They are printed on a serial number label, located on the frame of your unit.

- Record Unit Model and Serial numbers here:

- Record Engine Model and Serial numbers here:

## UNAUTHORIZED REPLACEMENT PARTS

Use only replacement parts. The replacement of any part on this vehicle with anything other than a Gravely authorized replacement part may adversely affect the performance, durability, or safety of this unit and may void the warranty. Gravely disclaims liability for any claims or damages, whether warranty, property damage, personal injury or death arising out of the use of unauthorized replacement parts.

## PRODUCT REGISTRATION

---

The Gravely dealer must register the product at the time of purchase. Registering the product will help the company process warranty claims or contact you with the latest service information. All claims meeting requirements during the limited warranty period will be honored, whether or not the product registration card is returned. Keep a proof of purchase if you do not register your unit.

**Customer Note:** If Dealer does not register your product, please fill out, sign and return the product registration card to Gravely or go to [www.gravely.com](http://www.gravely.com).

## YOUR SATISFACTION IS IMPORTANT

---

**Questions? Please follow these helpful steps:**

1. Refer to the manuals supplied with your unit.  
They will guide you through safe and proper operation and maintenance.  
They contain specifications on your unit.  
If your questions are not answered in these manuals, go to step number two.
2. Contact Your Dealer.  
Our dealers will be happy to supply any service or advice required to keep your unit operating at peak efficiency.  
A factory trained staff is available to support your equipment needs. They stock genuine Gravely parts and lubricants manufactured with the same precision and skill as the original.  
If your questions are not resolved by the support staff, ask for the manager or owner.  
When contacting your Dealer supply your model and serial numbers.

## TO SPEED PARTS ORDERING:

1. Know the model and serial numbers of your unit.
2. Know the part number required.
3. Know the quantity required.
4. Know the part description.

## MODELS

---

### **Model 996123 420RX, 2WD**

Treker Red, Subaru EH65

Serial No. 000101 and up

### **Model 996125 420RT, 2WD Turf Tire**

Treker Red, Subaru EH65

Serial No. 000101 and up

### **Model 996146 440RX, 4WD**

Treker Red, Subaru EH65

Serial No. 000101 and up

### **Model 996147 440CX, 4WD**

Treker Camouflage, Subaru EH65

Serial No. 000101 and up

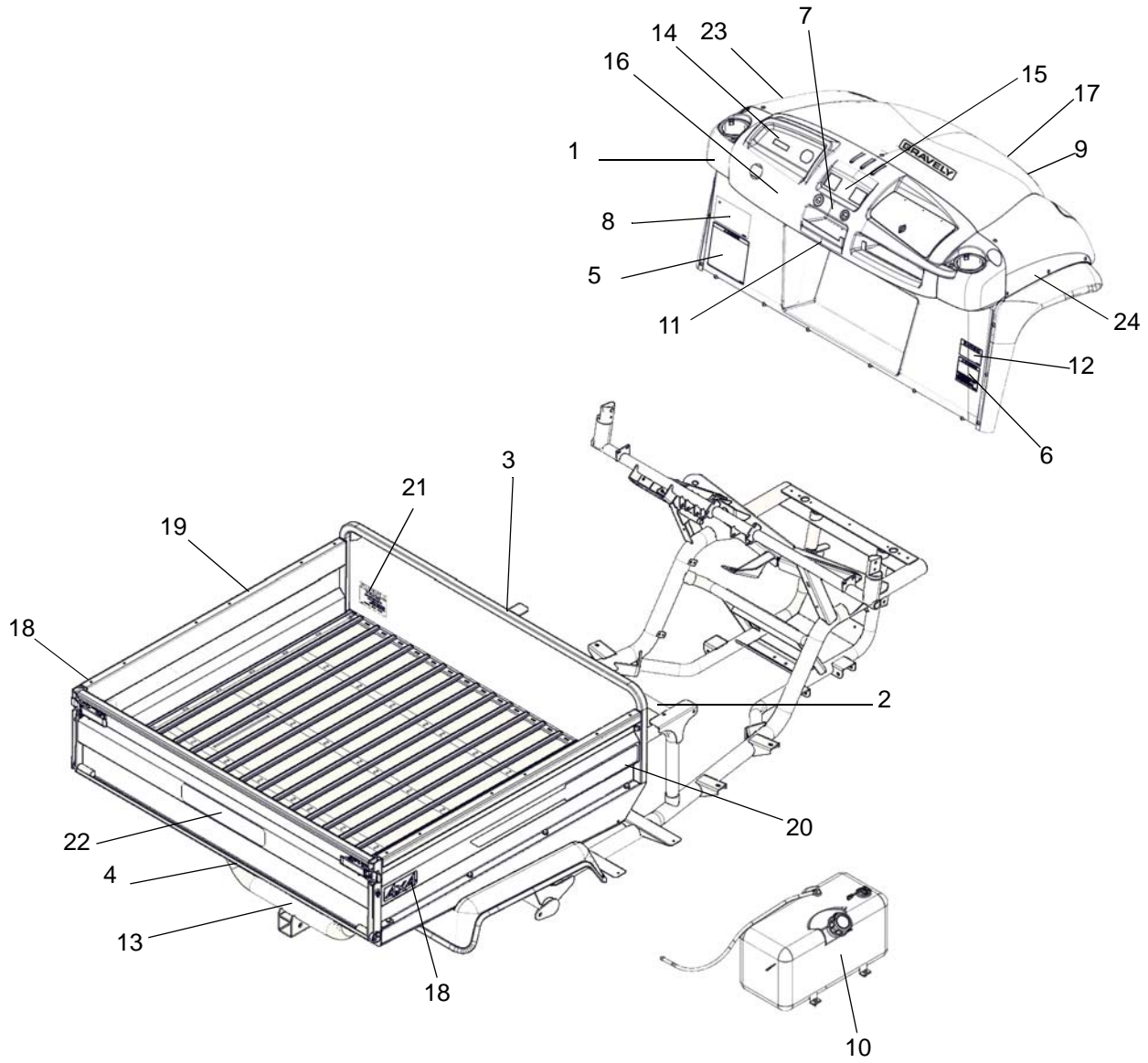
## TABLE OF CONTENTS

---

Decals . . . . .	4
Front Lower Control Arm . . . . .	6
Main Frame and Bumper . . . . .	7
Front Shock . . . . .	8
Rear Shock . . . . .	10
Trailing Arm . . . . .	11
Steering . . . . .	12
Throttle And Brake . . . . .	14
Rear Brake Drum . . . . .	16
Front Brake Disc . . . . .	18
Parking Brake . . . . .	20
Parking Brake Caliper . . . . .	22
Front Brake System . . . . .	24
Rear Brake System . . . . .	26
Drive Belt Assembly . . . . .	28
Drive Belt – Driven Pulley . . . . .	30
Engine Mounting . . . . .	32
Front Differential and Driveshaft . . . . .	34
Front Differential Components . . . . .	36
Rear Transaxle and Axle Shafts . . . . .	38
Rear Transaxle Components . . . . .	40
Transfer Case and Rear Driveshaft . . . . .	42
Transfer Case Components . . . . .	44
Air Cleaner . . . . .	46
Exhaust Components . . . . .	47
Fuel Tank . . . . .	48
Electrical Wiring . . . . .	50
Main Harness Identification . . . . .	51
Wiring Diagram – Main 600 . . . . .	52
Wiring Diagram – Main 601 . . . . .	54
Wiring Diagram – Sub Dash 700 . . . . .	56
Wiring Diagram – Sub Dash 701 . . . . .	57
Wiring Diagram – Sub Engine Kill 100 . . . . .	58
Wiring Diagram – Sub Engine Kill 101 . . . . .	59
Instrument Panel . . . . .	60
Bench Seat . . . . .	62
ROPS . . . . .	64
Floor Panel and Shields . . . . .	66
Dump Bed . . . . .	68
Dump Bed Lift . . . . .	70
Hood Assembly . . . . .	72
Front Tires . . . . .	74
Rear Tires . . . . .	76
Panels – Camo . . . . .	78

# DECALS

Model 996123, 125, 146, 147



# DECALS

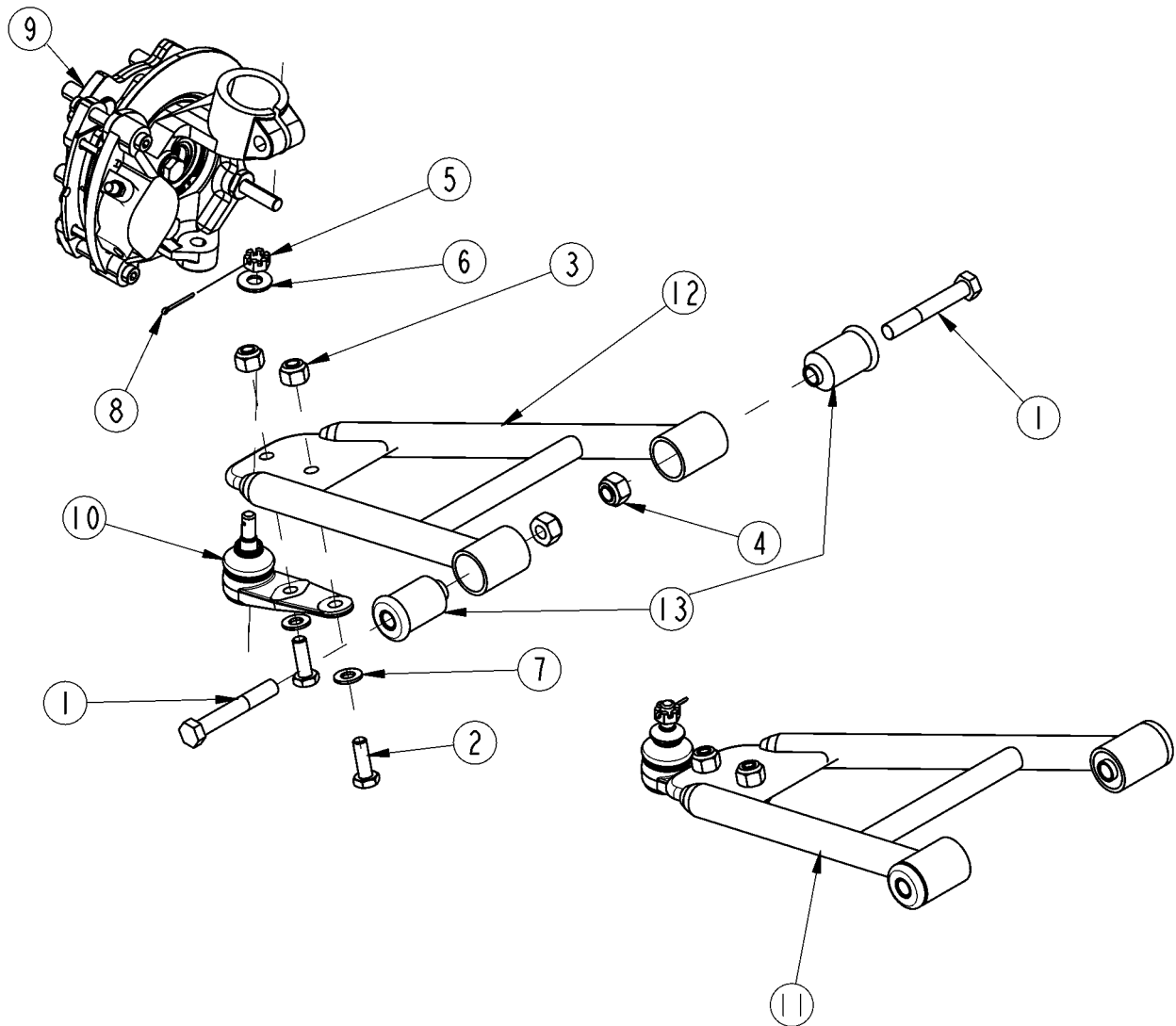
---

## Model 996123, 125, 146, 147

Item	Part No.	Description
1	08000507	DECAL, GRAVELY HERITAGE – SMALL
2	T818-543C	DECAL, DANGER PD GUARD MISS SML
3	T838-303C	DECAL, DANGER BATTERY
4	T838-444C	DECAL, DANGER HOT
5	T838-486C	DECAL, WARNING GNRAL UTLTY VHCL
6	T838-489C	DECAL, WARNING ROLLOVER HAZARD
7	04260307	DECAL, HAND BRAKE
8	T838-491C	DECAL, WARNING IMPROPER USE
9	T838-492C	DECAL, CAUTION PWR SRC MAX 12V
10	T838-508C	DECAL, WARNING ENG. COOL B4 GAS
11	T838-532C	DECAL, WARNING VEHICLE ROLLOVER
12	04449800	2WD PAYLOAD LABEL
	04449900	4WD PAYLOAD LABEL
13	04447000	LABEL, TRAILER TOWING 1,500LB
14	04260306	DECAL, START INSTRUCTION
15	04260304	DECAL, SWITCH PANEL
16	04260305	DECAL, SHIFT INSTRUCTION
17	T838-764C	DECAL, BATTERY DISCONNECT
18	04260308	DECAL, 4 X 4, RED (996146)
	04260312	DECAL, 4 X 4, CAMO (996147)
	04260309	DECAL, 4 X 2, RED (996123, 125)
19	04260302	DECAL, BEDSIDE LEFT HAND SIDE (996123, 125, 146)
	04260310	DECAL, BEDSIDE LEFT HAND CAMO (996147)
20	04260303	DECAL, BEDSIDE RIGHT HAND SIDE (996123, 125, 146)
	04260311	DECAL, BEDSIDE RH CAMO (996147)
21	T838-629C	DECAL, WARNING PINCH PT/CRUSH
22	05240000	DECAL, GRAVELY LOGO
23	04260300	DECAL, HOOD LEFT HAND
24	04260301	DECAL, HOOD RIGHT HAND

# FRONT LOWER CONTROL ARM

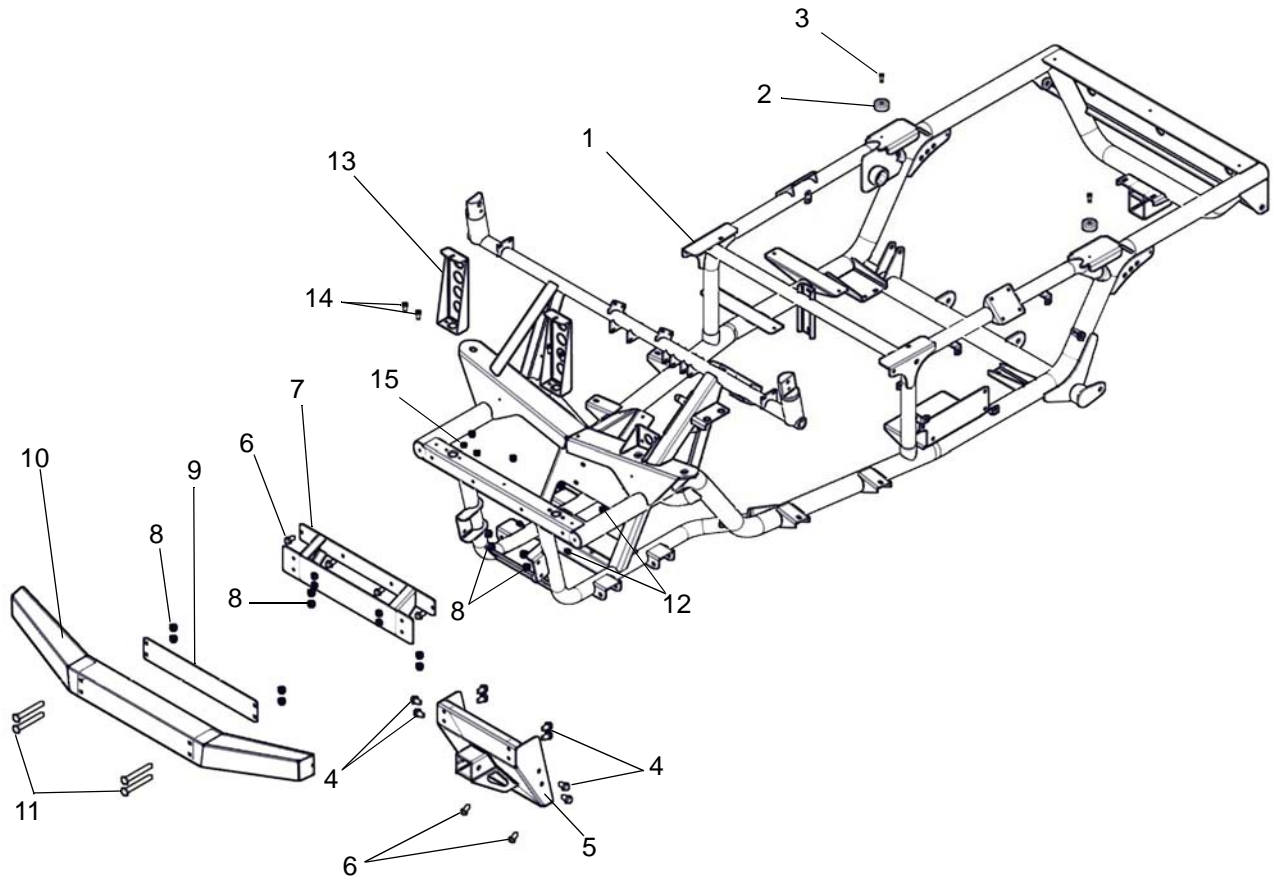
Model 996123, 125, 146, 147



Item	Part No.	Description
1	T802-486C	HHCS M12 X 1.75 X 80 GR8.8 PLT
2	00961307	BOLT, M10 X 1.50 X 30 HEX 8.8
3	06542400	NUT, LOCK NYLON M10 X 1.5 PLT
4	06542500	NUT, LOCK NYLON M12 X 1.75 PLT
5	06520001	NUT, HEX, SLOTTED M10-1.25
6	06435900	WASHER, FLAT STEEL .438 X 1.00 X .083
7	06449300	WASHER, FLAT STEEL M10 10.5 X 20 X 2
8	06707000	PIN COTTER .09 X 1 LONG
9	T815-143C	RIGHT HAND DISC BRAKE ASM 172mm WITH JNT
	T815-144C	LEFT HAND DISC BRAKE ASM 172mm WITH JNT
10	T840-137C	BALL JOINT BOLT ON SIR
11	04067200	CONTROL ARM ASSEMBLY, LEFT HAND (Includes No. 2, 3, 5, 6, 7, 8, 10, 11, 12 & 13)
	04067100	CONTROL ARM ASSEMBLY, RIGHT HAND (Includes No. 2, 3, 5, 6, 7, 8, 10, 11, 12 & 13)
12	04066051	CONTROL ARM WELDMENT, LEFT HAND
	04067051	CONTROL ARM WELDMENT, RIGHT HAND
13	T840-229C	BUSHING, A-ARM

# MAIN FRAME AND BUMPER

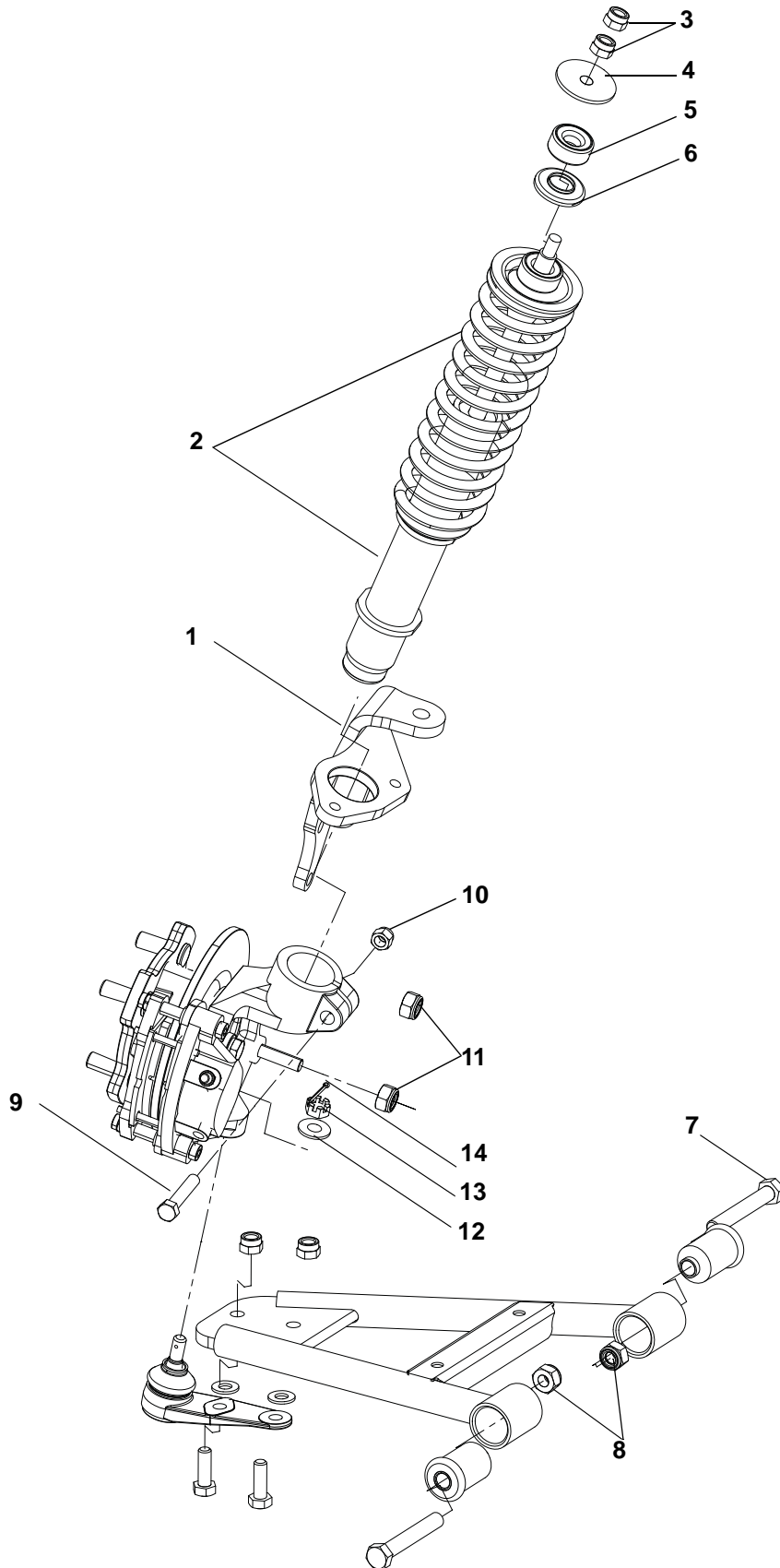
Model 996123, 125, 146, 147



Item	Part No.	Description
1	04232351	WELDMENT, MAINFRAME
2	00180390	BUMPER, RUBBER .625 X 1.50 DIA
3	AA968100	RIVET, 3/16 X .500 POP
4	T802-185C	HFSS 3/8-16 X 3/4 LG
5	04095951	WELDMENT, RECEIVER, FRONT
6	07049600	BOLT, SERRATED HEX FLANGE HEAD .312-18 X .75
7	04085551	WELDMENT, MNT, BUMPER
8	06534900	NUT, SPIN, LOCK FLANGE .375-16
9	04085453	PLATE, BACK BUMPER, RED (996123, 125, 146)
	04085468	PLATE, BACK BUMPER, GREY (996147)
10	04085351	WELDMENT, BUMPER
11	06200129	BOLT, ROUNDHEAD SQUARE NECK .38-16 X 4.0 G5 YWZC
12	06530400	NUT, SPIN LOCK FLANGE .312-18
13	04258551	HOOD MOUNT BRACKET
14	05946800	BOLT, HEX .25-20 X .75 GR5 YWZC
15	06530100	NUT, LOCKING FLANGE .25-20 TWZC

# FRONT SHOCK

Model 996123, 125, 146, 147





# FRONT SHOCK

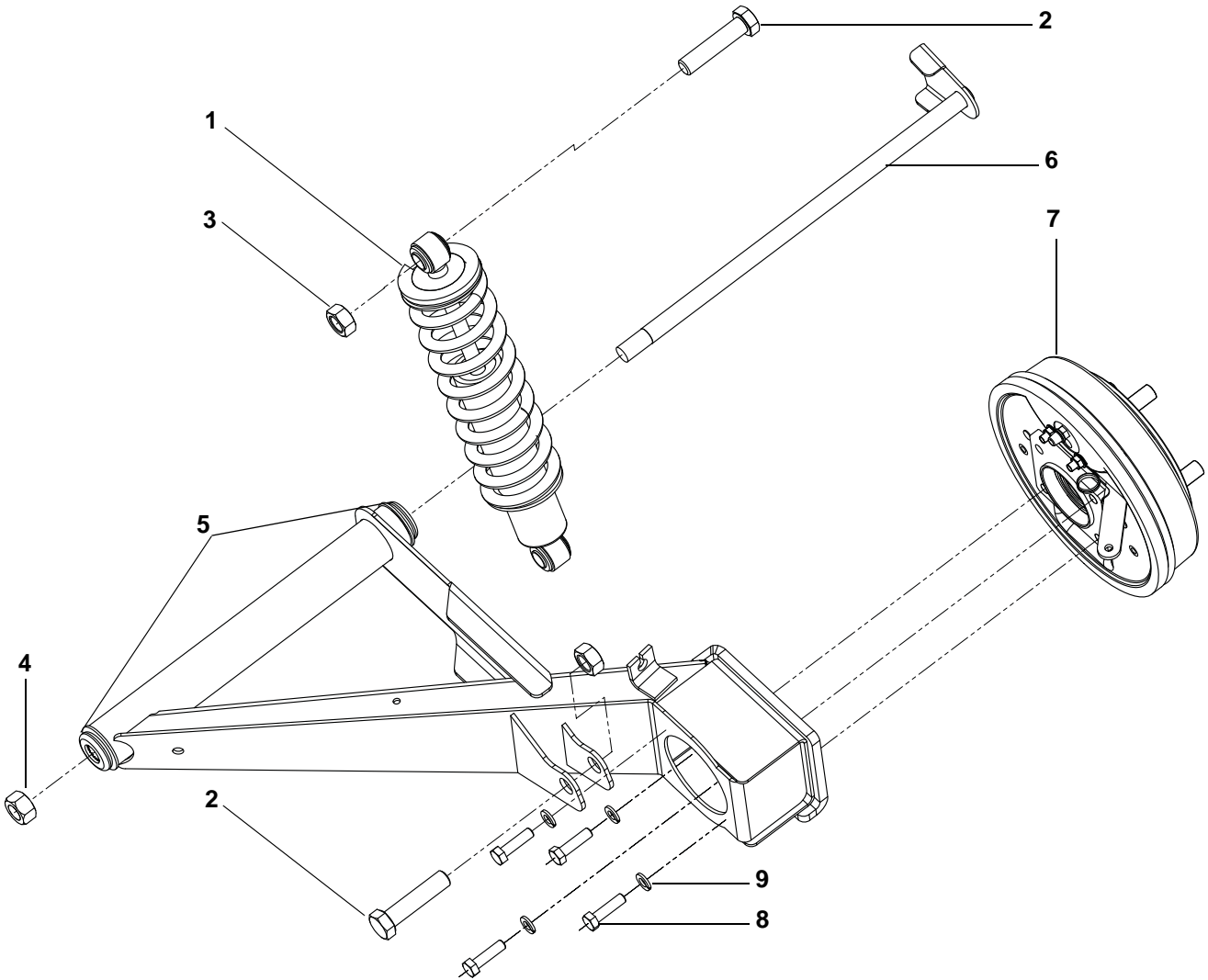
---

Model 996123, 125, 146, 147

Item	Part No.	Description
1	T700-055H	STEERING BRACKET RIGHT
	T700-054H	STEERING BRACKET LEFT
2	T840-100C	STRUT/COIL SPRING ASSEMBLY
3	T803-344C	NUT, HEX JAM M10 X 1.25 6MTHK YLW
4	T804-220C	WASHER, FLAT 1.92OD X .413ID X .118T
5	T816-531C	GROMMET, RUBBER MOUNT
6	T840-314C	WASHER, STRUT MOUNT
7	T802-486C	HHCS M12 X 1.75 X 80 GR8.8 PLT
8	06542500	NUT, LOCK NYLON M12 X 1.75 PLT
9	05963100	BOLT, HEX .38-16 X 2.00 GR8
10	06535800	NUT, LOCK NYLON .38-16 YWZC
11	06542400	NUT, HEX NYLOCK M10 X 1.5 PLT
12	06435900	WASHER, FLAT STEEL .438 X 1.00 X .083 YWZC
13	06520001	NUT, HEX SLOTTED M10 X 1.25 YWZC
14	06707000	PIN, COTTER .09 X 1 LONG

# REAR SHOCK

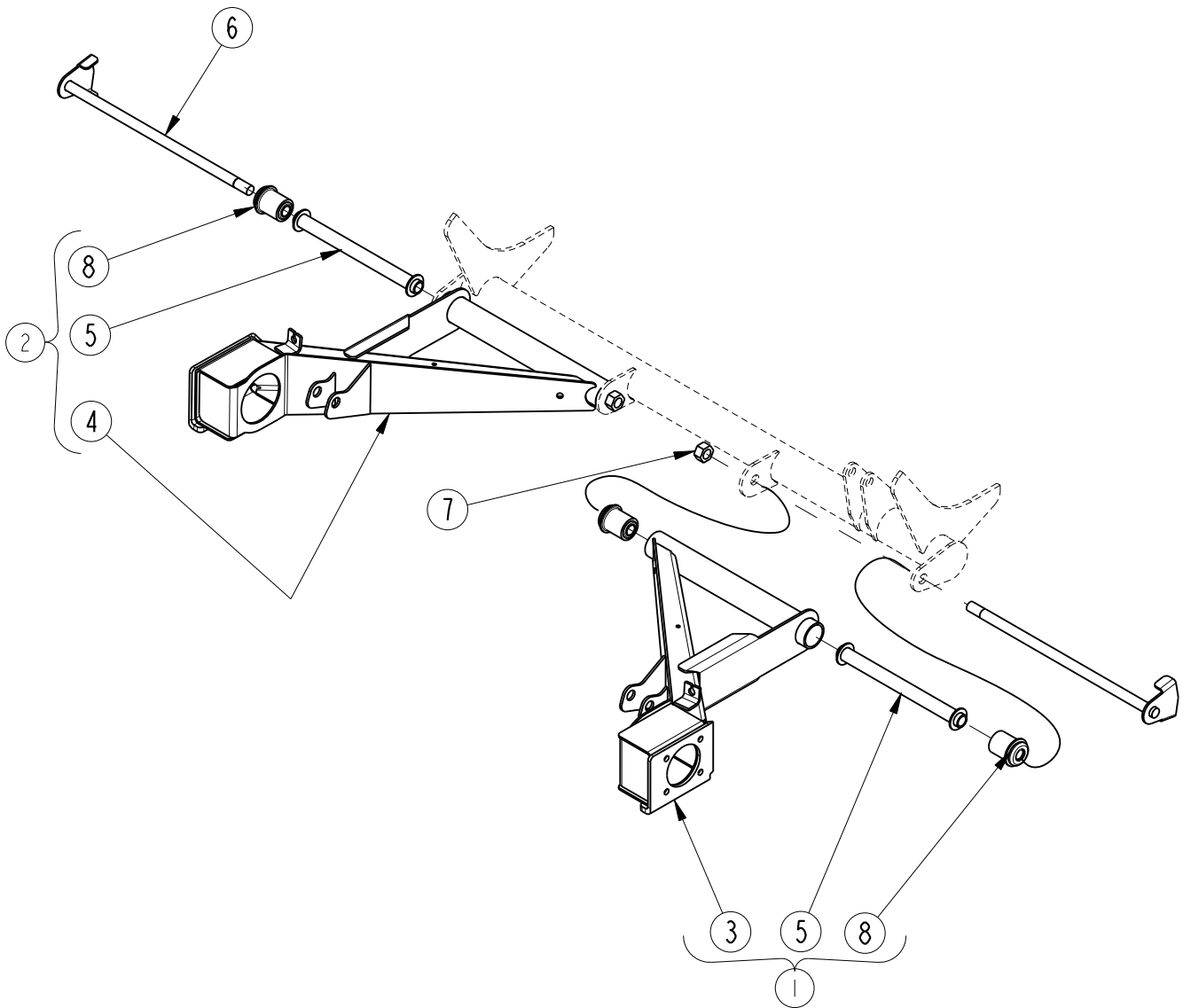
Model 996123, 125, 146, 147



Item	Part No.	Description
1	840-101C	SHOCK, COIL REAR TRUCK
2	T802-751C	HHCS M14 X 2.00 X 60 GR8.8
3	T803-334C	NUT, HEX NYLOCK M14 X 2.00
4	06549100	NUT, LOCK TOP .563-12 GR5 YWZC
5	T817-517C	BUSHING IDLER ARM RUBBER
6	T700-371H	CENTER PIVOT TUBE WELDMENT
7	T815-145C	RIGHT HAND DRUM ASM 18 OMM 4 ON 4" BC
	T815-146C	LEFT HAND DRUM ASM 18 OMM 4 ON 4" BC
8	T802-731C	HHCS M8 X 1.25 X 30 GR 10.9 YLW PLT
9	06318200	WASHER, LOCK M8 YWZC

# TRAILING ARM

Model 996123, 125, 146, 147

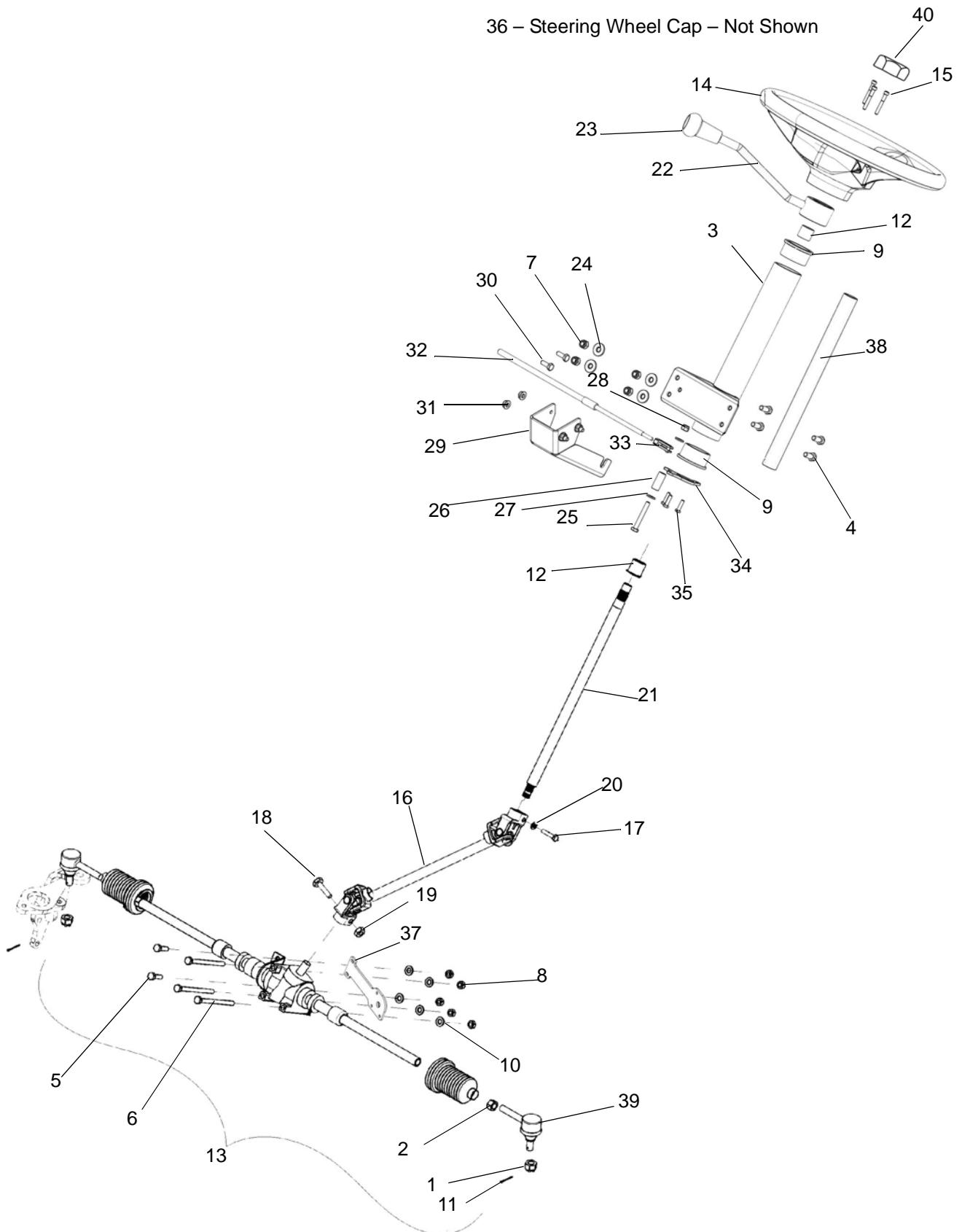


Item	Part No.	Description
1	T700-256S	TRAILING ARM RIGHT HAND ASSEMBLY
2	T700-257S	TRAILING ARM LEFT HAND ASSEMBLY
3	T700-262H	TRAILING ARM RIGHT HAND WELDMENT
4	T700-263H	TRAILING ARM LEFT HAND WELDMENT
5	T700-371H	CENTER PIVOT TUBE WELDMENT
6	T700-422H	TRAILING ARM PIVOT BOLT WLDMNT
7	06549100	NUT, TOP LOCK .563-12 GR5 YWZC
8	T817-517C	BUSHING IDLER ARM RUBBER

# STEERING

Model 996123, 125, 146, 147

36 – Steering Wheel Cap – Not Shown



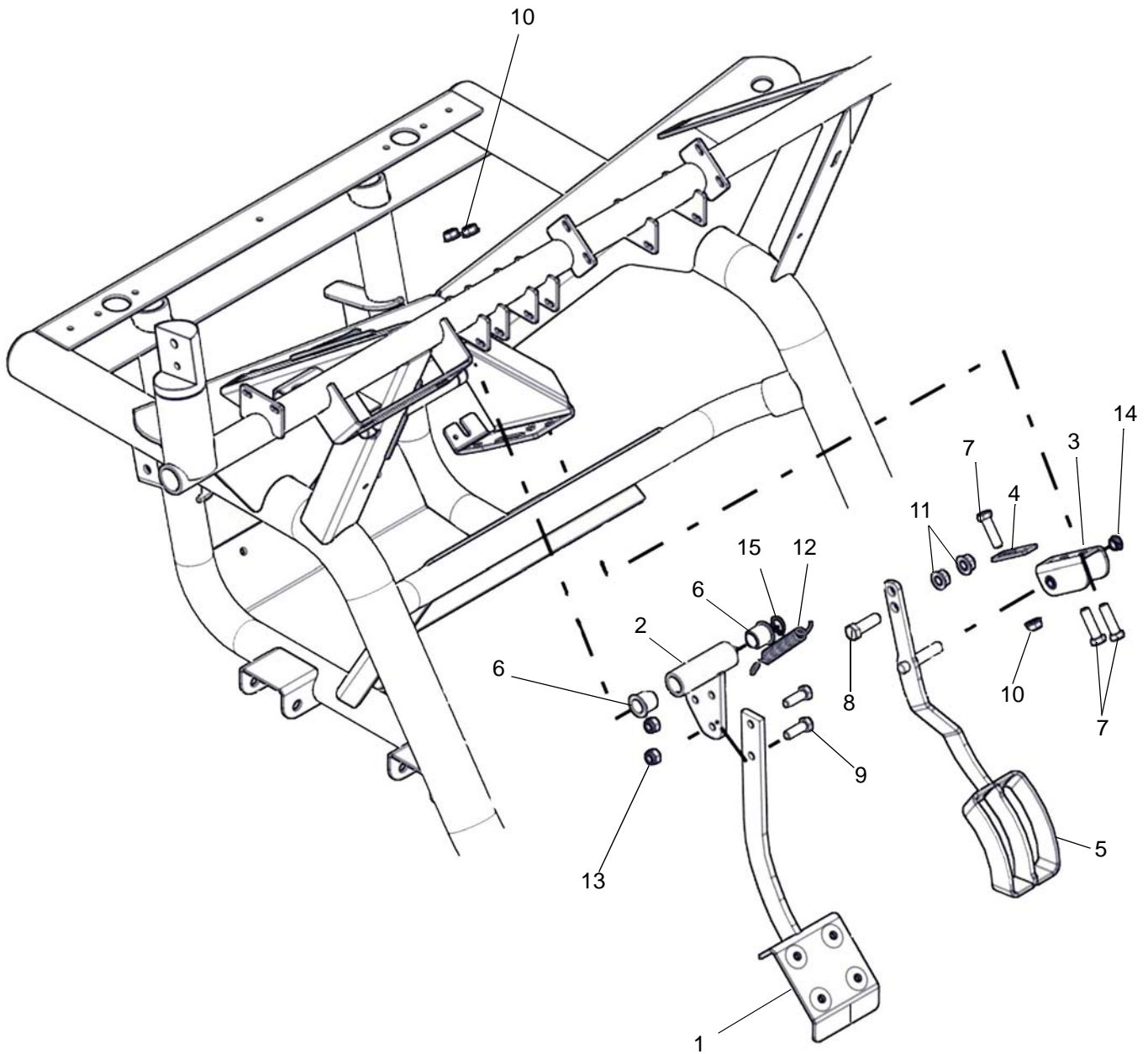
# STEERING

## Model 996123, 125, 146, 147

Item	Part No.	Description
1	06520002	NUT, HEX SLOTTED M12 X 1.25 YWZC
2	06548100	NUT, HEX M14 X 1.5 GR8.8 YWZC
3	04157951	STEERING COLUMN WELDMENT
4	05947000	BOLT, HEX .31-18 X .75 GR5 YWZC
5	05952400	BOLT, HEX .31-18 X 1.50 GR5
6	05973900	.31-18 X 4.50 GR5 YWZC
7	06530200	NUT, LOCK NYLOC .312-18 YWZC
8	06543100	NUT, LOCKING TOP FLANGE .31-18 YWZC
9	04157300	BUSHING, STEERING COLUMN, LARGE
10	06435700	WASHER, FLAT STEEL .38 X .875 X .083 YWZC
11	805-063C	PIN, COTTER 3/32 X 1 LONG
12	04157200	BUSHING, STEERING COLUMN, SMALL
13	T826-400C	RACK & PINION ST
14	03964990	STEERING WHEEL, 3 SPK CONTOUR
15	00967418	BOLT, 10-24 X 1.25 SOCKET GR5 YWZC
16	T840-093C	STEERING SHAFT TRUCK
17	T23035	MVL BOLT FOR T840-093C
18	T802-628C	HHCS M10 X 1.5 X 35 PLT
19	06542400	NUT LOCK NYLOC M10 X 1.5 PLT
20	T20061	MVL SPRING WASHER FOR T840-093C
21	T840-130C	UPPER STEERING SHAFT TRUCK ASSEMBLY
22	04160551	WLDT, COLUMN SHIFT LEVER
23	T840-288C	SHIFTER KNOB
24	06435700	WASHER, FLAT STEEL .38 X .875 X .083 YWZC
25	05967100	BOLT, HEX .25-20 X 2.00 GR5
26	04300451	SHIFT STOP
27	06437300	WASHER, FLAT STEEL 281 X .62 X .065
28	06531000	NUT, LOCK NYLOC .250-20
29	04237251	CABLE BRACKET, SHIFTER
30	05946800	BOLT, HEX .25-20 X .75 GR5 YWZC
31	06530100	NUT, LOCKING FLANGE .25-20 YWZC
32	T840-270C	SHIFT CABLE (DASH)
33	T890-884C	YOKE 10-32 WITH LOCK
34	04157400	CAM, COLUMN SHIFTER
35	05901511	SHCS #10-24 X .750
36	04062500	CAP, STEERING WHEEL (Not Shown)
37	04338851	SPACER, STEERING
38	04157100	SHAFT, COLUMN SHIFTER
39	T0180006	TIE ROD END
40	T803-283C	NUT HEX M16X2.00X8MM THK PLT

# THROTTLE AND BRAKE

Model 996123, 125, 146, 147



16 – Throttle Cable – Not Shown

# THROTTLE AND BRAKE

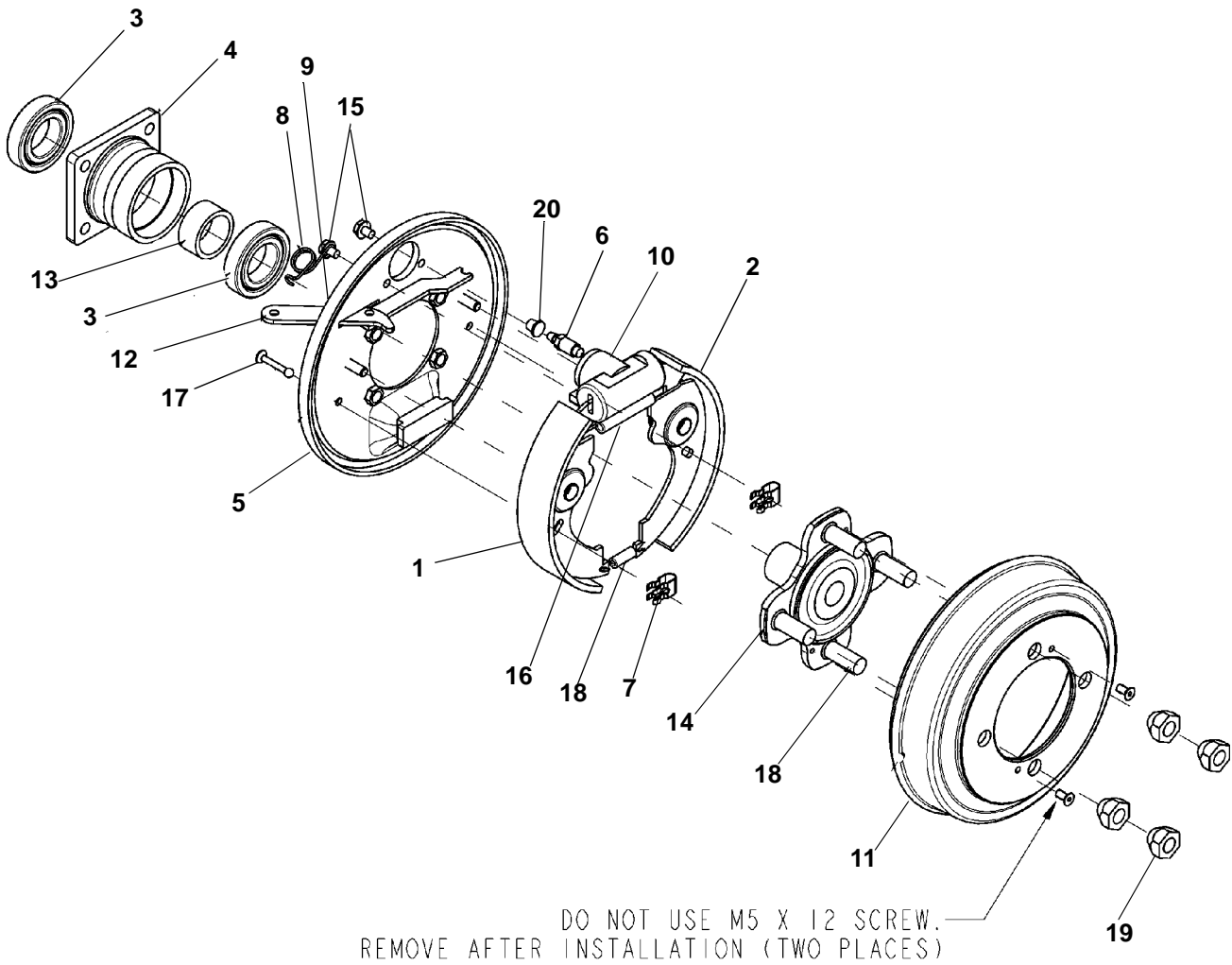
---

Model 996123, 125, 146, 147

Item	Part No.	Description
1	04183751	BRAKE PEDAL ASSEMBLY
2	T700-056H	BRAKE PEDAL PIVOT WELDMENT
3	T700-129D	GAS PEDAL MOUNT
4	T700-206D	GAS PEDAL ADJUSTMENT PLATE
5	04154651	WELDMENT, GAS PEDAL
6	T817-526C	BUSHING, 3/4OD X 5/8ID X 3/4 FLG HD
7	05947500	BOLT, HEX .31-18 X 1.25 GR5 YWZC
8	05958000	BOLT, HEX 3/8-16 X 1 1/4 GR5 YWZC
9	05946900	BOLT, HEX .31-18 X 1.00 GR5 YWZC
10	06543100	NUT, LOCKING TOP FLANGE .31-18 YWZC
11	06542000	NUT, LOCKING TOP FLANGE .38-16 YWZC
12	T807-227C	SPRING, EXTENSION .5OD .075W 2.75LG
13	06530200	NUT, LOCKING NYLON .312-18 YWZC
14	T817-540C	BUSHING NYLON 3/8 ID (SNAP IN)
15	05700140	SNAP RING, .625 X .035 EXT
16	04060200	THROTTLE CABLE (NOT SHOWN)

# REAR BRAKE DRUM

Model 996123, 125, 146, 147





# REAR BRAKE DRUM

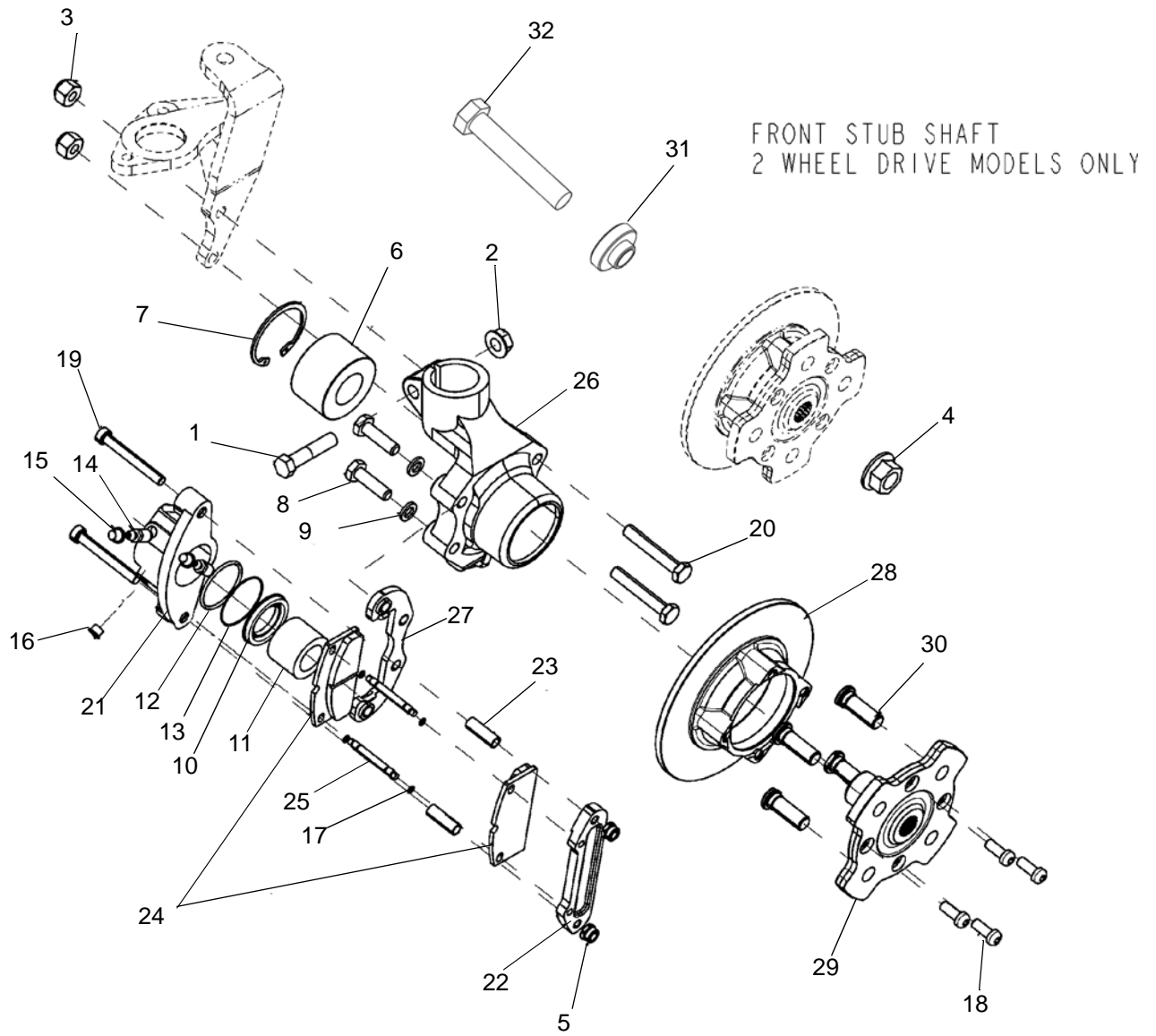
---

Model 996123, 125, 146, 147

Item	Part No.	Description
--	T815-145C	RIGHT HAND DRUM ASSEMBLY 180mm 4 ON 4" BC (ITEM 17 NOT INCLUDED)
--	T815-146C	LEFT HAND DRUM ASSEMBLY 180mm 4 ON 4" BC (ITEM 17 NOT INCLUDED)
1	F136	LEFT SHOE
2	F137	RIGHT SHOE
3	F777	BALL BEARING
4	F855	BEARING HOLDER HUB
5	F179	BRAKE SHOE DISC RIGHT HAND
	F178	BRAKE SHOE DISC LEFT HAND
6	F827	BLEEDER SCREW
7	F622	SHOES LOCKING SPRING
8	F792	RIGHT SPRING/HAND BRAKE LEVER
9	F793	LEFT SPRING/HAND BRAKE LEVER
10	F261	HYDRAULIC CYLINDER
11	F908	DRUM
12	F176	RIGHT LEVERS SET
	F177	LEFT LEVERS SET
13	F852	CMX SPACER
14	F175	BRAKE FLANGE HUB WITH STUDS
15	F258	SCREW M6 X 40
16	F610	UPPER RETURN SPRING
17	F621	SPRING PIN
18	F609	LOWER RETURN SPRING
19	06553000	WHEEL NUT .500-20 YZ
20	NA	BLEEDER CAP

# FRONT BRAKE DISC

Model 996123, 125, 146, 147



# FRONT BRAKE DISC

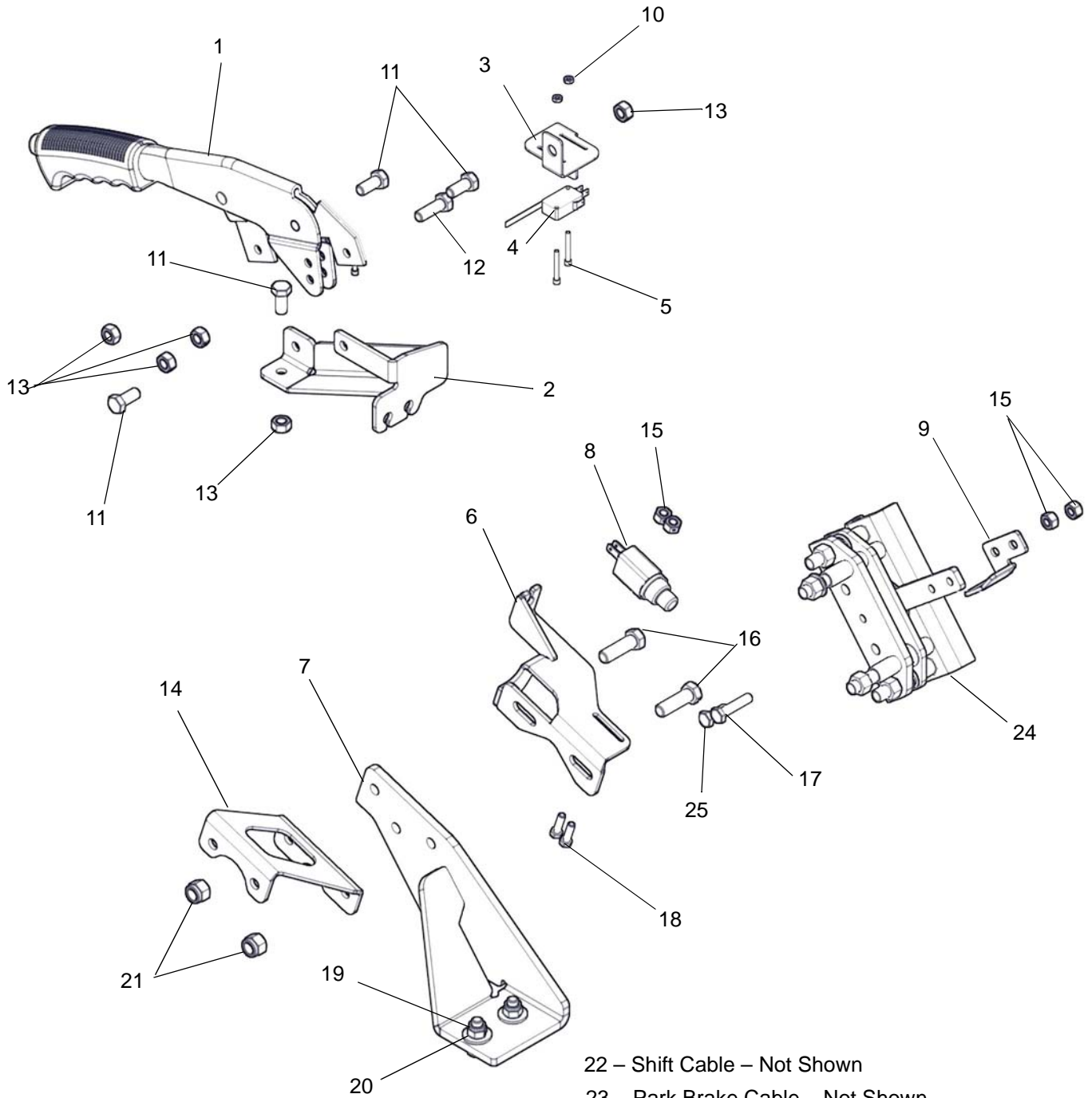
---

Model 996123, 125, 146, 147

Item	Part No.	Description
--	T815-143C	RIGHT HAND DISC BRAKE ASM 172m/JNT (Does Not Include #3, #4 or #5)
--	T815-144C	LEFT HAND DISC BRAKE ASM 172mm WITH JNT (Does Not Include #3, #4 or #5)
1	05963100	BOLT, HEX .38-16 X 2.00 GR8 YWZC
2	06535800	NUT, LOCKING NYLON .38-16
3	T803-280C	NUT, HEX NYLOCK M10 X 1.5 PLT
4	T803-332C	NUT, HEX M16 X 1.5 TOP LOCK PLT
5	D2041	NUT, M8
6	F763	BALL BEARING 60,05 X 30 X 37
7	F765	SNAP RING
8	F772	SCREW, M 10 X 1.25 X 35
9	F773	M 10 WASHER
10	F824	DUST BOOT RING
11	F822	CAP
12	F823	SEALING RING
13	F820	RUBBER DUST BOOT
14	F827	BLEEDER SCREW
15	F828	BOOT
16	F829	PLUG
17	F832	ELASTIC RING
18	F845	SCREW, M8 X 20
19	F774	SCREW, M8 X 65
20	F799	HHS M10 X 1.5 X 50 PLT
21	F813	CALIPER BODY
22	F815	REACTION BRACKET
23	F818	SPACER
24	F1004	BRAKE PAD KIT (COMP. 2 WHEELS)
25	F826	PIN
26	F840	WHEEL PIVOT Rev. 2
27	F834	CALIPER CLAMPING PLATE
28	F843	DISC BRAKE
29	F181	CMEX FLANGE WITH STUDS
30	F909	STUD
31	03959651	SPACER, STUB BOLT
32	05984400	BOLT, HEX M16-1.5 X 90 X 8.8 YWZC

# PARKING BRAKE

Model 996123, 125, 146, 147



22 – Shift Cable – Not Shown

23 – Park Brake Cable – Not Shown

26 – Retaining Ring External (for Cable) – Not Shown

# PARKING BRAKE

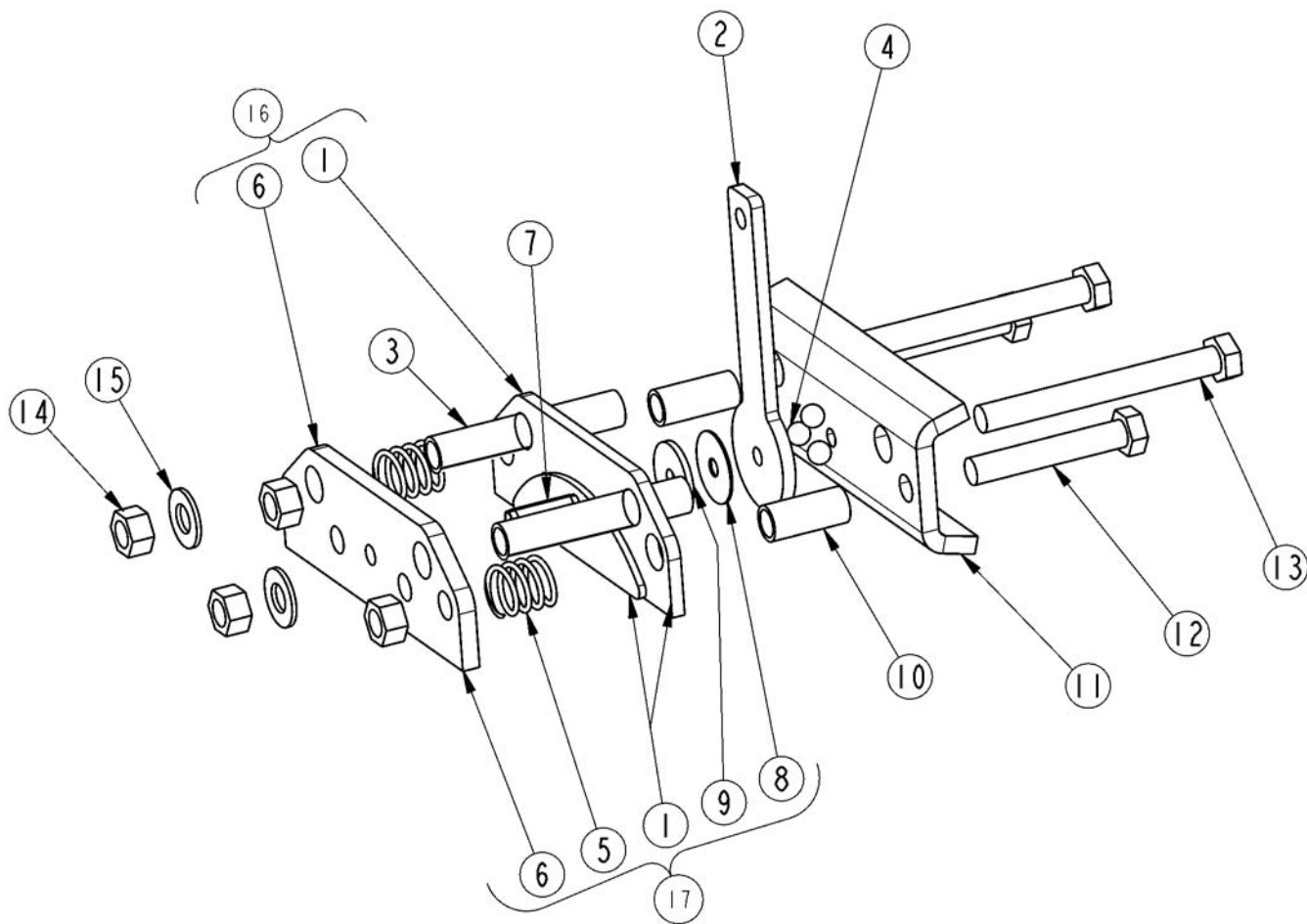
---

Model 996123, 125, 146, 147

Item	Part No.	Description
1	T815-153C	PARK BRAKE LEVER
2	04237551	BRACKET, E-BRAKE MNT
3	04285851	BRACKET, PARK SWITCH
4	T833-330C	PARK BRAKE MICRO-SWITCH
5	T802-788C	HSHCS #4-40 X 1
6	04282851	CABLE MNT, PARK BRAKE
7	04274551	BRACKET, CALIPER MNT
8	09251900	SWITCH, (N.O.) RUBBER SEALED
9	04314351	MOUNT, SWITCH, PARK BRAKE
10	06545700	NUT, HEX 4-40 GR5 YWZC
11	05947000	BOLT, HEX .31-18 X .75 GR5 YWZC
12	05946900	BOLT, HEX .31-18 X 1.00 GR5 YWZC
13	06529800	NUT, HEX CENTER LOCK .31-18
14	04274651	BRACE, CALIPER MNT, P-BRAKE
15	06540500	NUT, LOCK CENTER H10-24 YWZC
16	05958000	BOLT, HEX .38-16 X 1.25 GR5 YWZC
17	05947400	BOLT, HEX .25-20 X 1.25 GR5 YWZC
18	05920700	BOLT, HEX 10-24 X .75 PL GR2
19	06530200	NUT, HEX NYLOCK .312-18
20	06435700	WASHER, FLAT STEEL .38 X .875 X .083 YWZC
21	06535800	NUT, HEX NYLOCK .38-16
22	T840-270C	SHIFT CABLE (Not Shown)
23	T840-119C	PARK BRAKE CABLE 51.5" LG (Not Shown)
24	T840-312C	BRAKE CALIPER
25	05946800	BOLT, HEX .25-20 X .75 GR5 YWZC
26	T800-351C	RETAINING RING EXTERNAL

# PARKING BRAKE CALIPER

Model 996123, 125, 146, 147



# PARKING BRAKE CALIPER

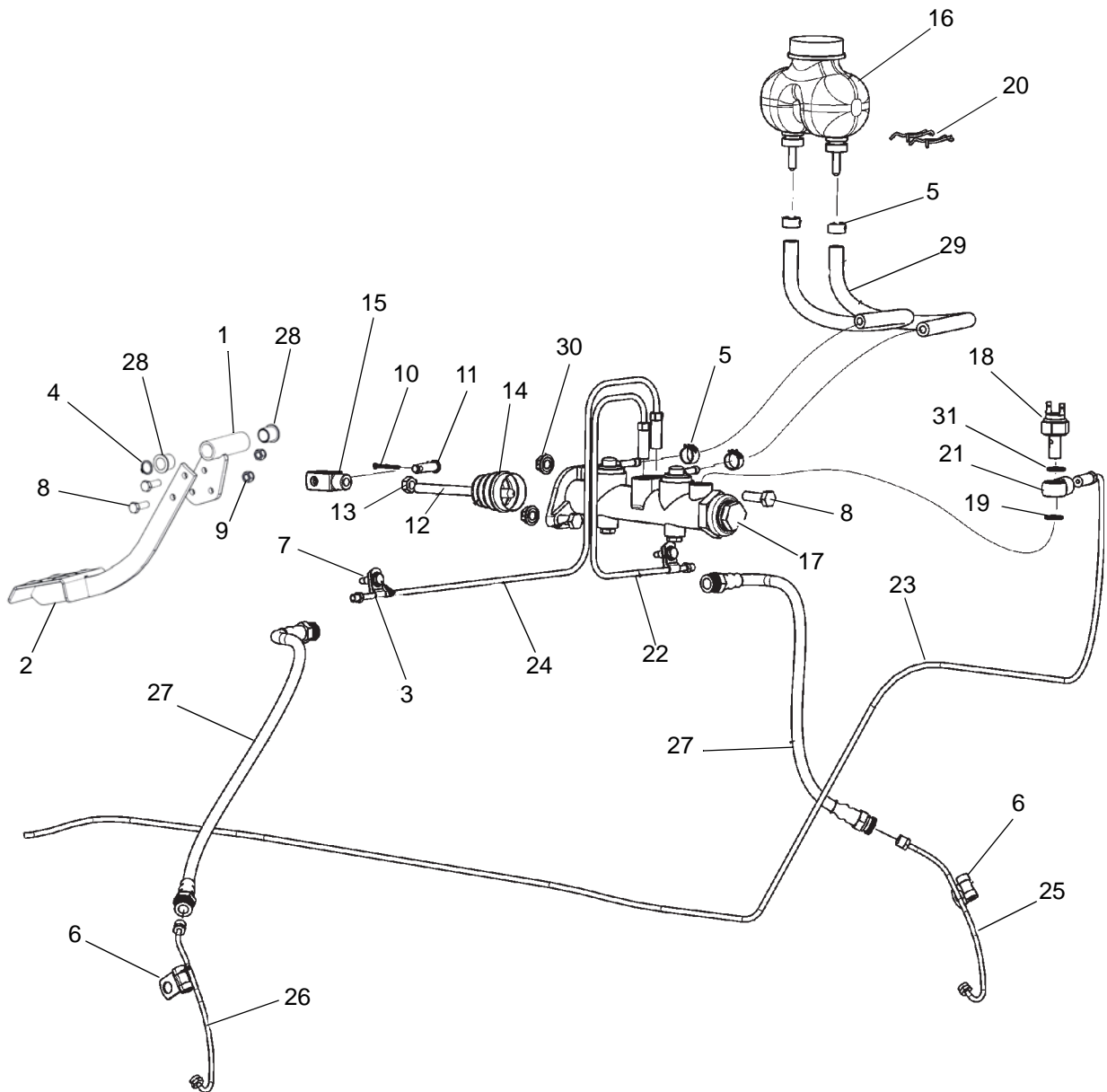
---

Model 996123, 125, 146, 147

Item	Part No.	Description
--	T840-312C	BRAKE CALIPER
1	82775	STATOR ASSEMBLY
2	82779	LEVER
3	82781	SLEEVE
4	82785	STEEL BALL
5	82788	COMPRESSION SPRING
6	82960	STATOR ASSEMBLY
7	82967	SPRING PIN SLOTTED
8	82968	SHIM
9	83113	THRUST WASHER
10	83465	SLEEVE
11	85578	STATIONARY ACTUATOR
12	05962900	BOLT, HEX 3/8-16 X 2 1/4 GR5
13	T802-781C	HHCS 3/8-16 X 3 1/2 GR8 PLT
14	T803-123C	NUT HEX TOP LOCK 3/8-16 PLT
15	06400216	WASHER FLAT 3/8 SAE PLT
16	PK-1660	BRAKE PAD REPLACEMENT KIT (Includes 1 and 6)
17	PK-1584	CALIPER REPAIR KIT (Includes 1, 5, 6, 8 and 9)

# FRONT BRAKE SYSTEM

Model 996123, 125, 146, 147





# FRONT BRAKE SYSTEM

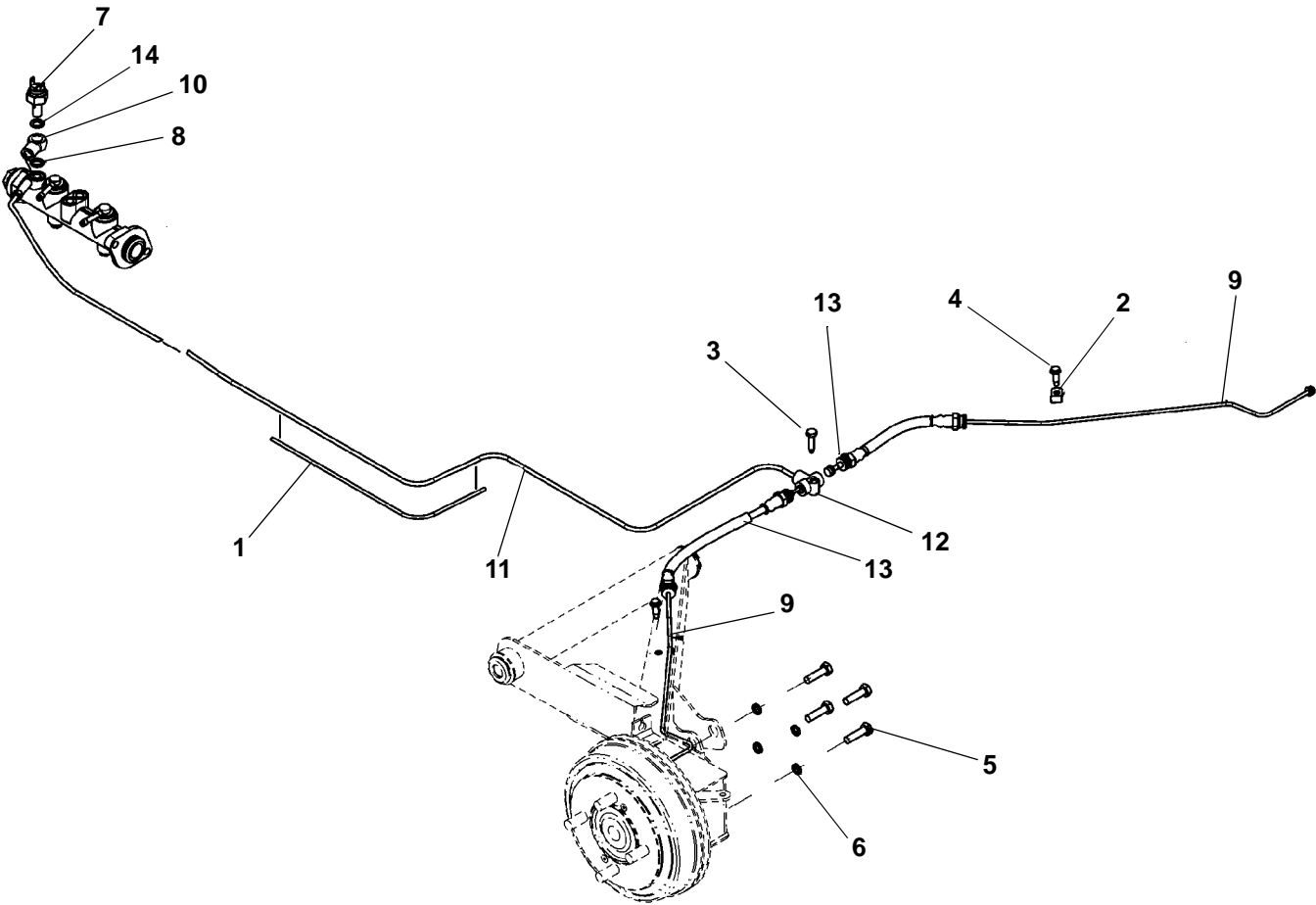
---

Model 996123, 125, 146, 147

Item	Part No.	Description
1	T700-056H	BRAKE PEDAL PIVOT WELDMENT
2	04183751	BRAKE PEDAL ASSEMBLY
3	T800-347C	WIRING/TUBE CLIP FOR 1/4 OD
4	05700140	SNAP RING, .625 X .035 EXT
5	03278800	CLAMP, FUEL LINE
6	T800-360C	HOSE CLAMP 1/4 ID
7	06120224	HH DRILL SCREW 1/4 X 3/4 LG
8	05946900	BOLT, HEX 5/16-18 X 1 GR5 YELLOW ZINC
9	06530200	NUT, HEX NYLOCK .312-18
10	06707000	PIN, COTTER .09 X 1
11	06819500	PIN, CLEVIS 5/16 X 1
12	T815-150C	MASTER CYLINDER PUSH ROD
13	06542700	NUT, JAM M8-1.25 TWZC
14	T815-152C	MASTER CYLINDER BOOT
15	T815-154C	MASTER CYLINDER CLEVIS
16	T815-155C	DUAL RESERVOIR BRAKE FLUID WITH CAP
17	04096300	DUAL MASTER CYLINDER
18	04104600	BRAKE SWITCH, HIGH PRESSURE
19	04096302	WASHER, COPPER 3.5 MM
20	T815-163C	MASTER CYLINDER RESERVOIR CLIP
21	T815-167C	BULK HEAD FLOW THROUGH
22	T815-173C	FRONT BRAKE LINE LEFT HAND
23	T815-175C	ST STEEL BRAKE LINE
24	T815-174C	FRONT BRAKE LINE 21 1/4 RIGHT HAND ST
25	T815-190C	FRONT BRAKE LINE END LEFT HAND STEEL
26	T815-196C	FRONT BRAKE LINE END RIGHT HAND STEEL
27	T815-210C	BRAKE LINE RBR 17" M10 X 1 FEMALE
28	T817-526C	BUSHING 3/4 OD X 5/8 ID X 3/4 FLG HD
29	T840-104C	12.5" FUEL LINE/HYDRAULIC FLUID RESVOIR.
30	06543100	NUT, TOP LOCK FLANGE .31-18
31	T815-158C	MASTER, CYLINDER CPPR WASHER 16 X 10 X 1.5 MM

# REAR BRAKE SYSTEM

Model 996123, 125, 146, 147



# REAR BRAKE SYSTEM

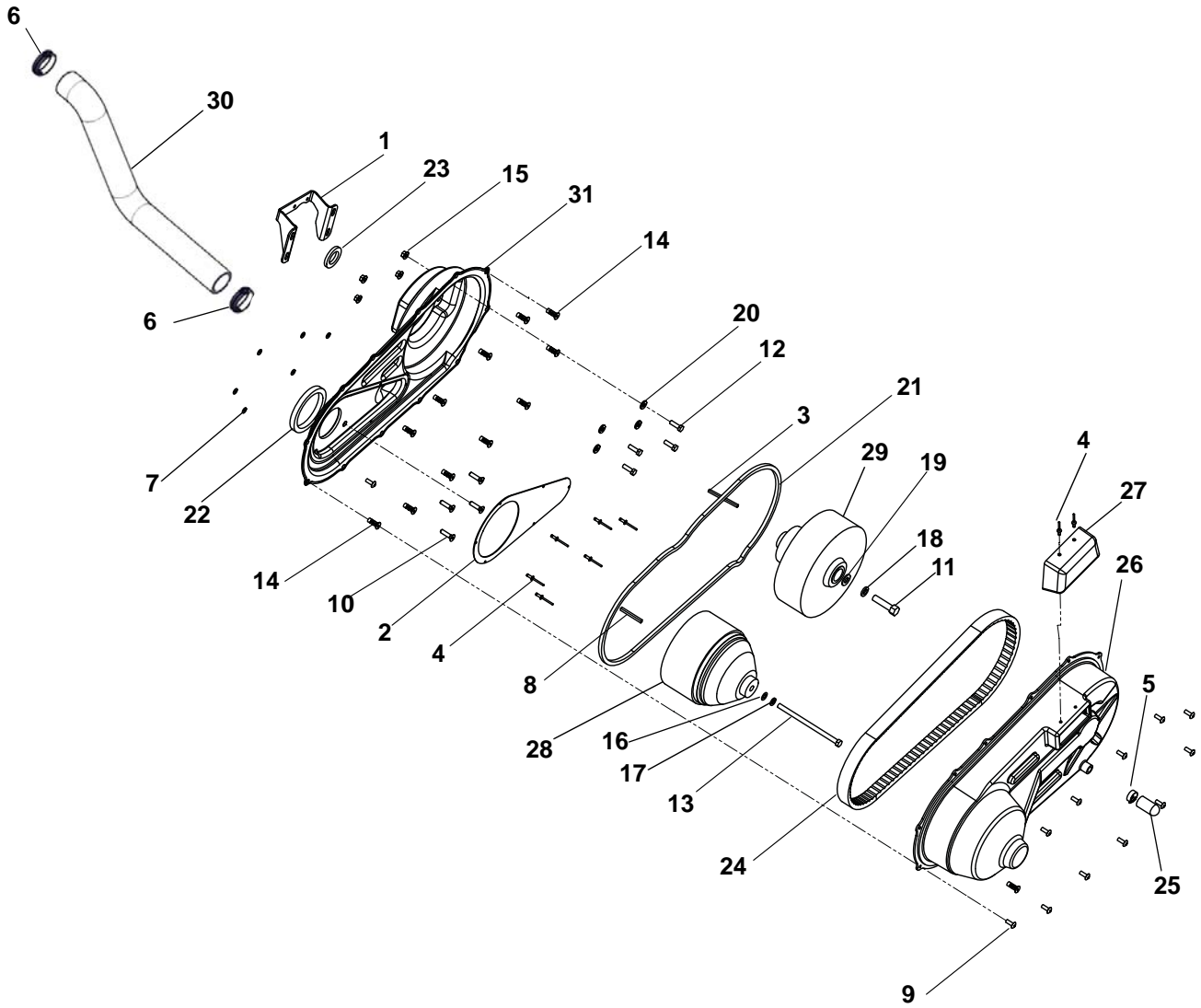
---

Model 996123, 125, 146, 147

Item	Part No.	Description
1	T990-244R	CORRUGATED LOOM, .125 ID
2	T800-347C	WIRING/TUBE CLIP FOR 1/4 OD
3	07430102	SCREW HHC SELF TAP 1/4-20 X 1
4	06120224	HH DRILL SCREW 1/4 X 3/4 LG
5	T802-731C	HHCS M8X1.25 X 30 GR10.9 ZNYCR
6	06318200	WASHER LOCK M8 YWZC
7	04104600	BRAKE SWITCH, HIGH PRESSURE
8	04096302	WASHER, COPPER, 3.5 MM
9	T815-165C	REAR BRAKE LINE 28.3
10	T815-167C	BULK HEAD FLOW THROUGH
11	T815-175C	ST STEEL BRAKE LINE
12	T815-178C	FITTING 3 WAY HYD.
13	T815-211C	REAR RUBBER BRAKE LINE
14	T815-158C	MSTR CYL CPPR WSHR 16 X 10 X 1.5 MM

# DRIVE BELT ASSEMBLY

Model 996123, 125, 146, 147



# DRIVE BELT ASSEMBLY

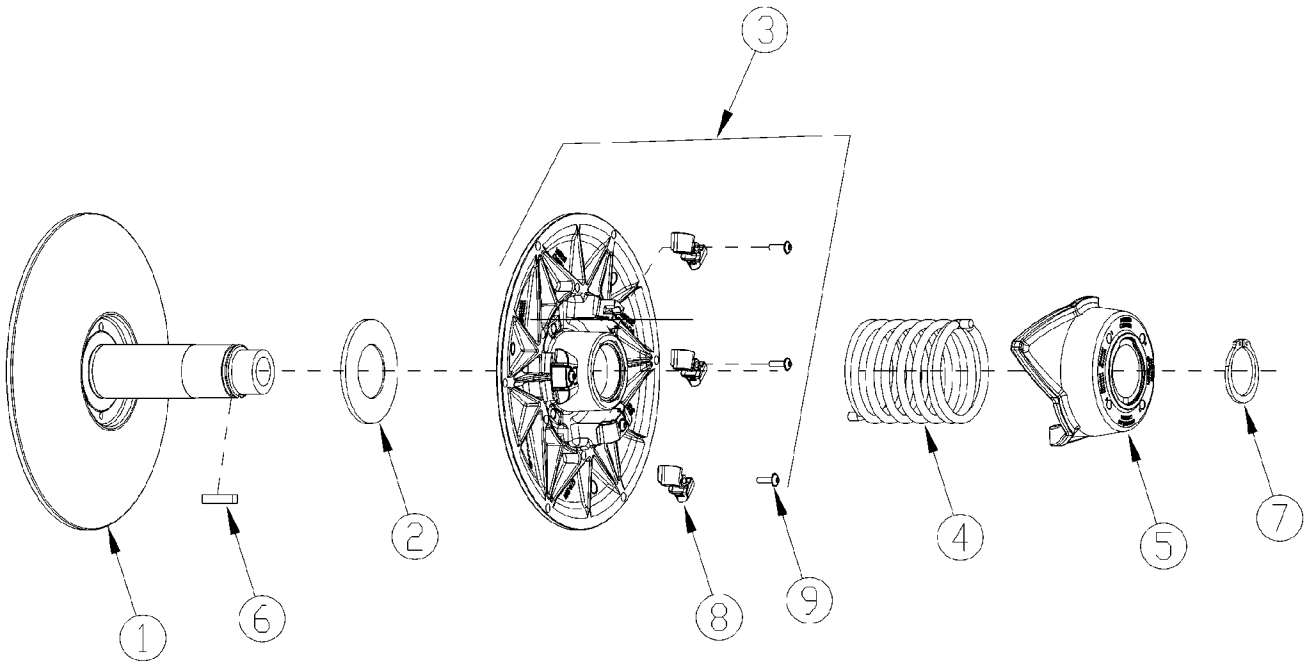
---

Model 996123, 125, 146, 147

Item	Part No.	Description
1	T700-286D	BRACKET, CVT COVER TO TRANS.
2	04070051	COVER, CVT INLET DUCT
3	T710-097D	KEY 3/16 X 3
4	T800-219C	RIVET POP 3/16 .126-.250
5	T800-235C	SPRING CLAMP 1" OD HOSE
6	T800-259C	CLAMP, HOSE,WRM DRV,1.81 X 2.75
7	T800-271C	RIVET POP WASHER 3/16
8	T800-350C	KEY, .187 X .247 X 2.5 LG
9	06114400	SCREW, MCH .25-20 X .75 TXTR
10	05901425	BOLT, 5/16-24 X .75 HSFHCS (Apply Loc-Tite®)
11	05959800	BOLT, HEX .50-20 X 2.00 GR5 YWZC
12	05946900	BOLT, HEX .31-18 X 1 GR5 YWZC
13	T802-823C	HHCS 3/8-24 X 6 1/2 GR5 PLT
14	T803-131C	INSERT, 1/4-20 ARS4-420-280
15	06543100	NUT, TOP LOCK FLANGE .312-18 YWZC
16	06436200	WASHER, FLAT .406 X .812 X .065 YWZC
17	06308800	WASHER, LOCK .38 X .094 REG YWZC
18	06307300	WASHER, LOCK .50 X .125 YWZC
19	06441900	WASHER, FLAT .531 X 1.06 X .095 YWZC
20	T804-135C	WASHER, FLAT 5/16 NEOPRENE PLT
21	T816-469C	SEAL, MAIN TRUCK CVT HOUSING
22	04062600	GASKET, CVT, FOAM
23	T816-471C	SEAL, CVT TO TRANSAXLE
24	T816-546C	BELT, CVT – LP3
25	T817-621C	CAP, DRAIN 7/8 OD PORT
26	T817-711C	ENCLOSURE, CVT OUTER
27	T817-712C	OUTLET DIVERTER, CVT
28	04324900	DRIVER, POWERBLOC – LP3
29	T826-525C	DRIVEN, CVTECH POWERBLOC – LP3
30	04235300	HOSE, CVT AIR INTAKE
31	T817-710C	CVT SHROUD, INNER

# DRIVE BELT – DRIVEN PULLEY

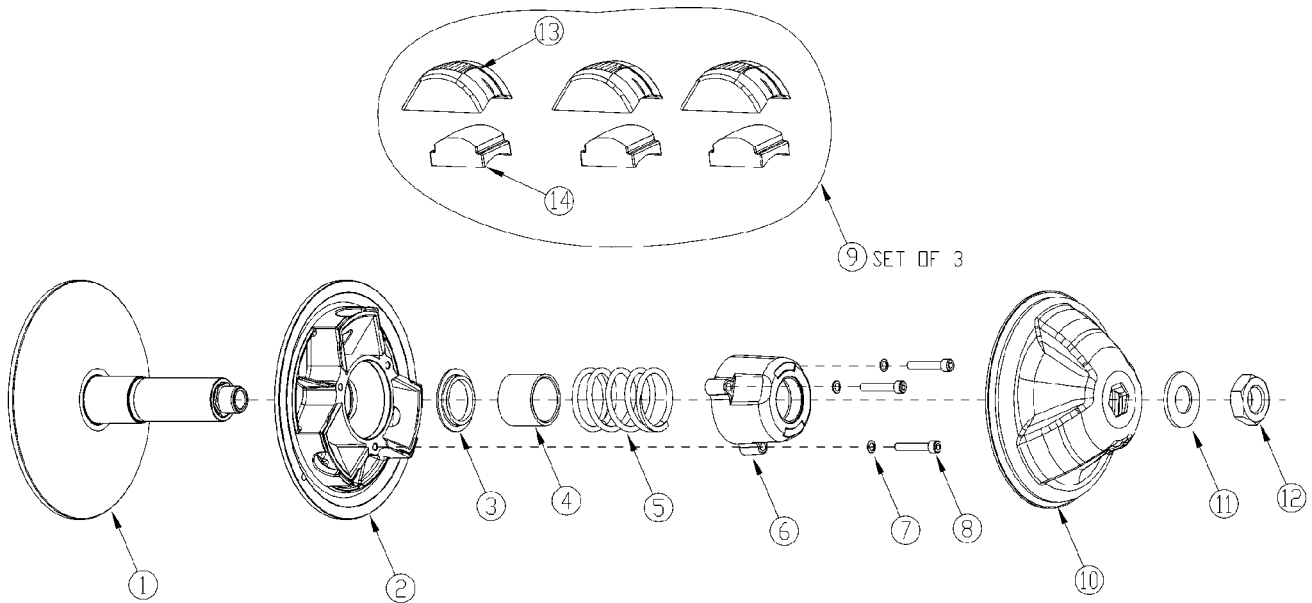
Model 996123, 125, 146, 147



Item	Part No.	Description
1	6105-0005	FIXED FLANGE
2	N/A	SHIM WASHER
3	6110-0001	SLIDING FLANGE
4	N/A	SPRING
5	N/A	CAM
6	N/A	SQUARE KEY 1/4
7	0080-0220	SNAP RING
8	6030-3001	CAM SHOE
9	0080-0031	HEX, SOCKET BUTTON HEAD

# DRIVE BELT – DRIVER PULLEY

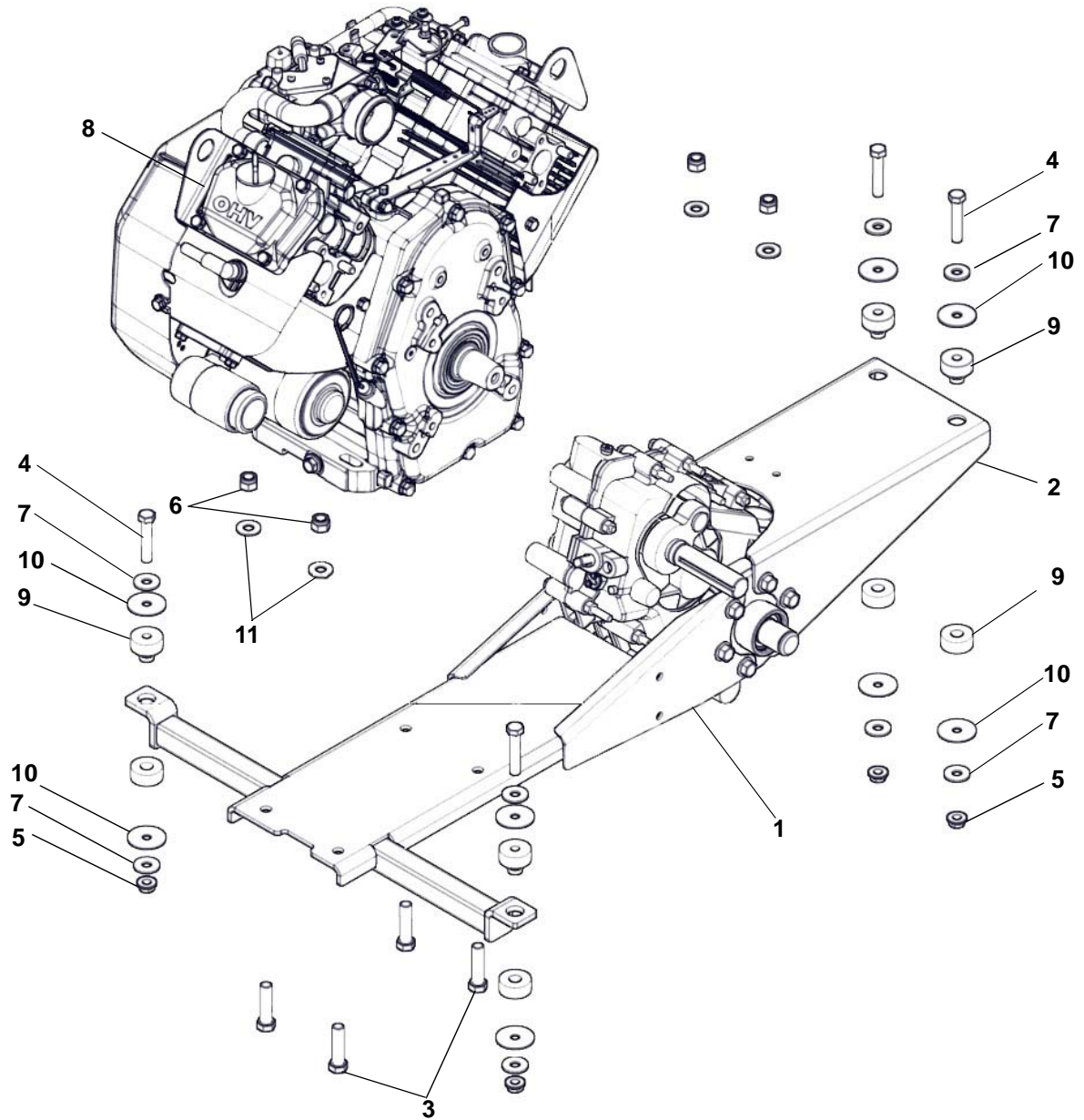
Model 996123, 125, 146, 147



Item	Part No.	Description
1	0405-0104	FIXED FLANGE
2	0410-0031	SLIDING FLANGE
3	N/A	SPRING SUPPORT
4	0440-2032	STROKE LIMITER
5	N/A	SPRING
6	0440-0005	SPRING COVER
7	0080-0167	LOCK WASHER
8	0080-0021	SOCKET HEAD CAP SCREW
9	0130-0165	BLOCK ASSEMBLY
10	0115-0050	CAP
11	06400534	WASHER, FLAT #10 ZP SAE
12	T803-149C	NUT HEX 7/8-14 PLT
13	N/A	BLOCK
14	N/A	WEIGHT

# ENGINE MOUNTING

Model 996123, 125, 146, 147





# ENGINE MOUNTING

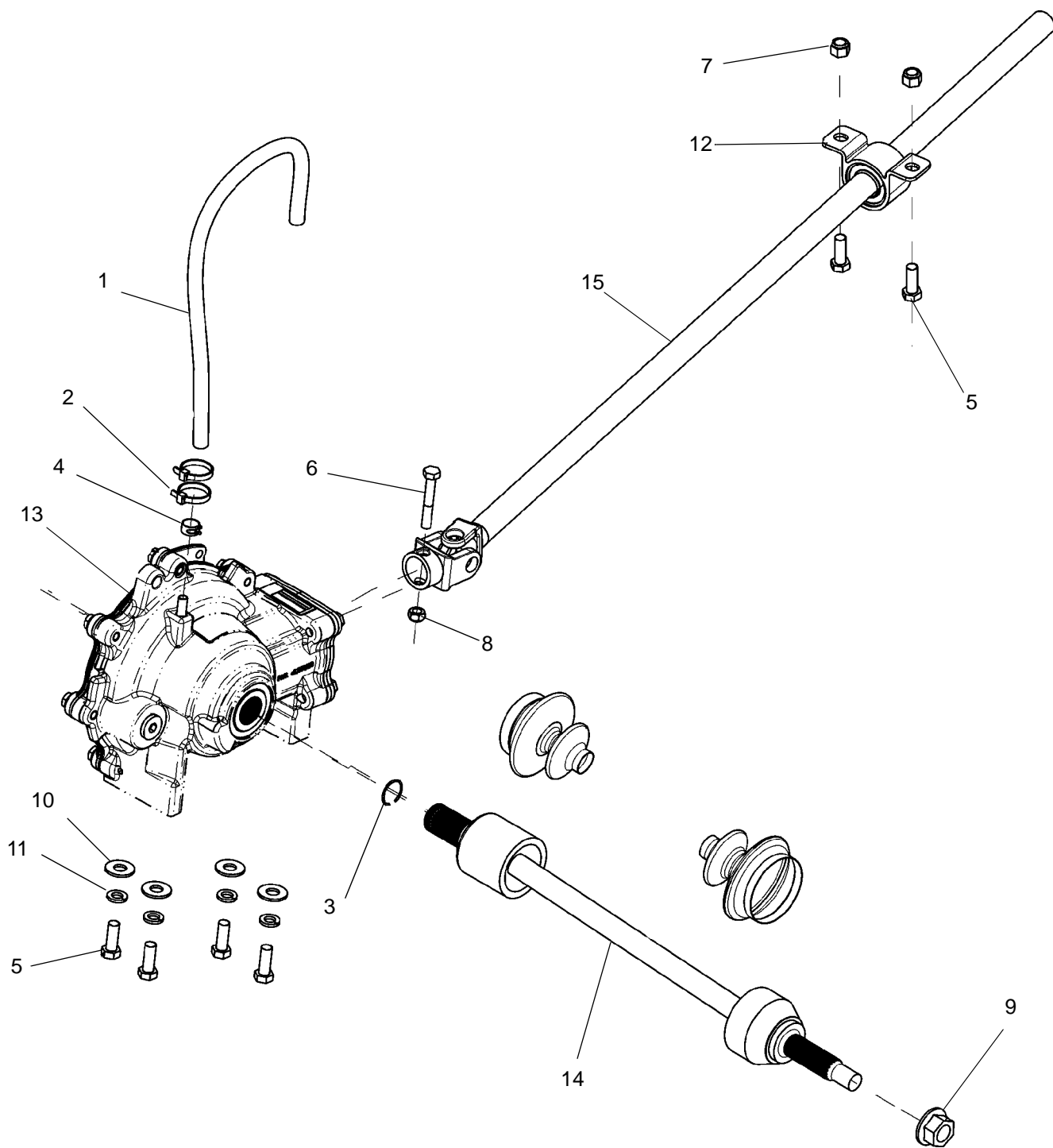
---

Model 996123, 125, 146, 147

Item	Part No.	Description
1	T700-059H	ENGINE MOUNT WELDMENT
2	04259051	TRANS MNT SUPPORT BRACKET ST
3	05982100	BOLT, HEX .44-14 X 1.75 GR5 YWZC
4	05963300	BOLT, HEX .38-16 X 2.00 GR5 YWZC
5	06542000	NUT, LOCKING TOP FLANGE .38-16 YWZC
6	06501900	NUT, LOCKING TOP .437-14 GR C PL
7	06435900	WASHER, FLAT STEEL .438 X 1.00 X .083 YWZ
8	08200534	ENGINE, SUBARU, EH65
9	T840-080C	MOUNT MOTOR H SYTLE
10	06400030	WASHER, FLAT STEEL .402 X 2.00 X .055 YWZ
11	06441900	WASHER, FLAT STEEL .531 X 1.06 X .095 YWZC

# FRONT DIFFERENTIAL AND DRIVESHAFT

Model 996146, 147



# FRONT DIFFERENTIAL AND DRIVESHAFT

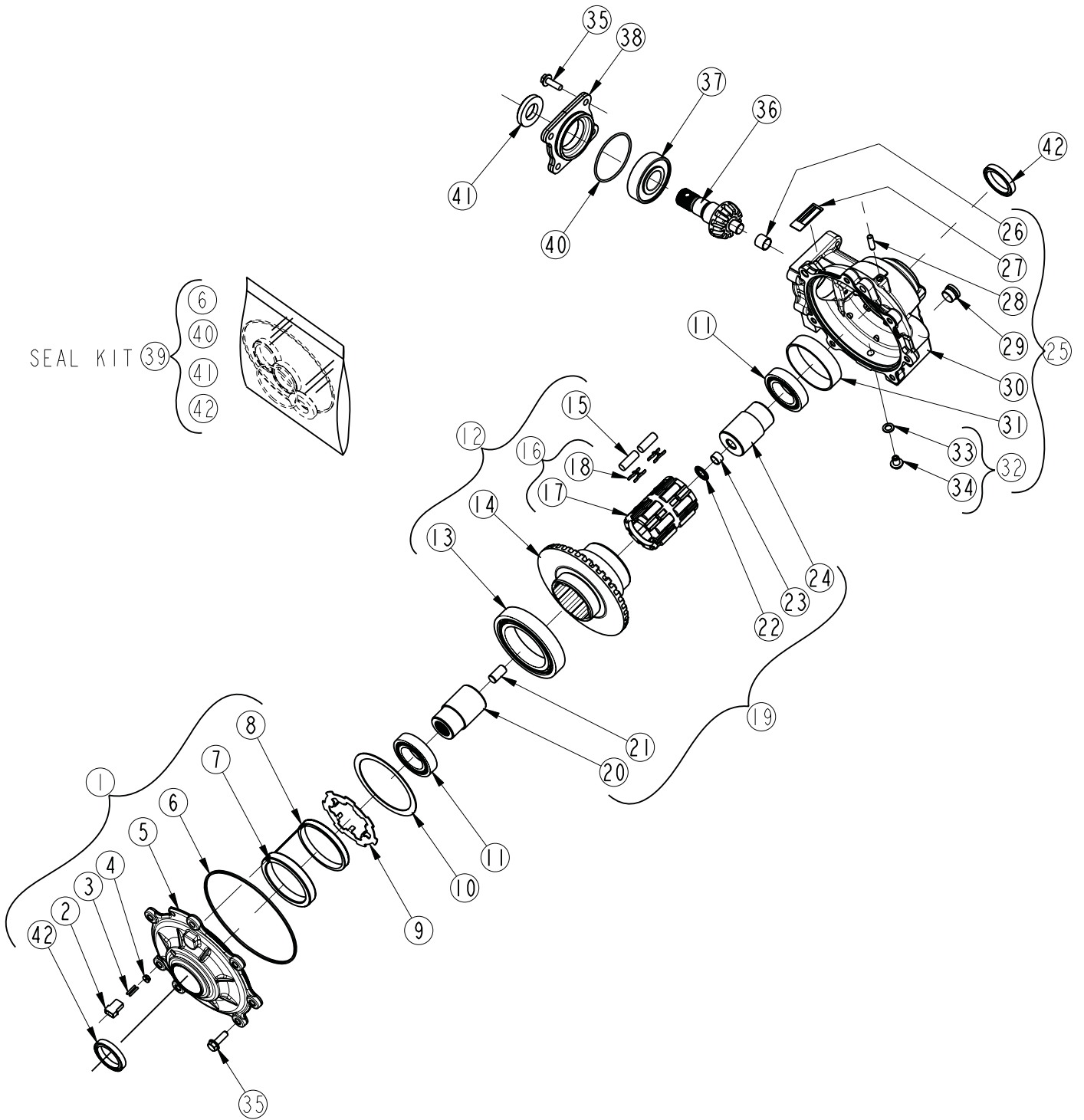
---

## Model 996146, 147

Item	Part No.	Description
1	T700-466D	VENT HOSE 17.5LG 4 X 4 GBOX
2	T800-303C	CABLE TIE 2 DIA MIN – BLK
3	T800-353C	SPRING CIR CLIP .95OD X .063 WIRE
4	03278800	CLAMP, FUEL LINE
5	05948700	HHCS .38-16 X 1 GR5 YWZC
6	05957200	BOLT, HEX .31-18 X 2 GR5 YWZC
7	06535800	NUT, NYLOCK .38-16 YWZC
8	06530200	NUT, NYLOCK .312-18 YWZC
9	T803-332C	NUT, HEX M16 X 1.5 TOP LOCK PLT
10	06435900	WASHER FLAT .438 X 1.00 X .083 YWZC
11	06308800	WASHER LOCK .38 X .094 REG YWZC
12	T822-203C	PILLOW BLOCK BEARING TRUCK
13	T826-398C	FRONT DIFFERENTIAL WITH ELECTRIC CLUTCH
14	T826-405C	FRONT AXLE SHAFT STANDARD
15	T826-438C	DRIVELINE 4 X 4 NT/ST

# FRONT DIFFERENTIAL COMPONENTS

Model 996146, 147



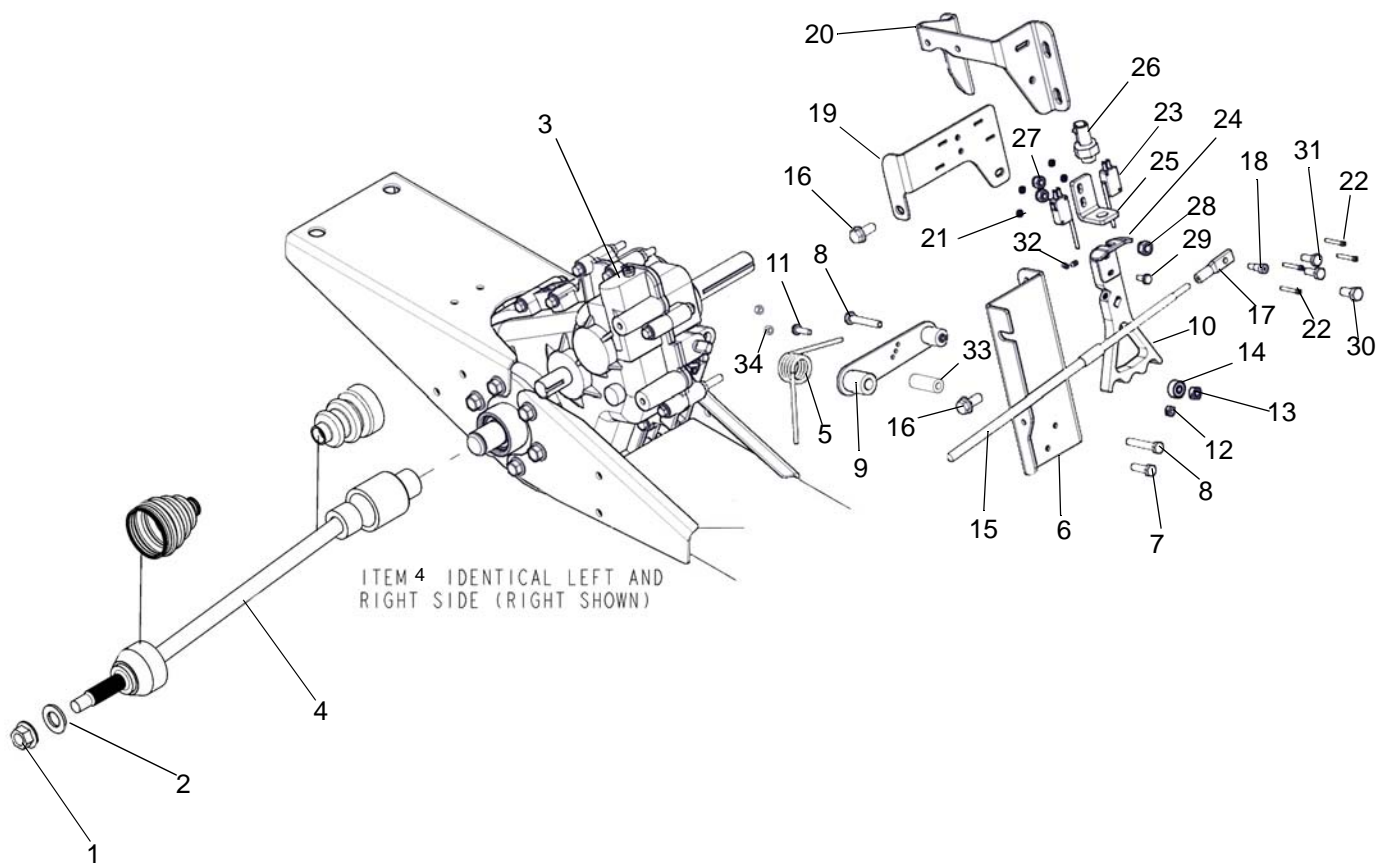
# FRONT DIFFERENTIAL COMPONENTS

## Model 996146, 147

Item	Part No.	Description
	T826-398C	FRONT DIFFERENTIAL WITH ELECTRIC CLUTCH
1	6203-12-100	OUTPUT COVER PLATE ASSEMBLY #1 Kit (Includes #2 to #8 & 42)
2		MATE-N-LOK – HOUSING (Sold with #1 Kit)
3		MATE-N-LOK PIN (Sold with #1 Kit)
4		GROMMET, OUTPUT COVER (Sold with #1 Kit)
5		COVER PLATE, OUTPUT – MACHINED (Sold with #1 Kit)
6		O-RING, OUTPUT – 164S (SQ. RING) (Sold with #1 Kit & #39 kit)
7		COIL POCKET INSERT (Sold with #1 Kit)
8		COIL WITH PRESS FIT BOBBIN (Sold with #1 Kit)
9	6203-59-032-B	ARMATURE PLATE
10	6203-26-020-A	SHIM .05 THICK BRASS, HALF HARD
11	1215-02-038-T	6008-C3 DEEP GROOVE ROLLER BEARING
12	6203-01-166	CLUTCH ASSEMBLY #12 Kit (Includes #13 to #16)
13	1215-02-141-T	6015-C3 DEEP GROOVE ROLLER BALL BEARING (Sold separately & with #12 Kit)
14	6203-13-124-D	CLTH.HSG./RNG GR., 42T 6.75DP (with #12 Kit) Not serviced, replaced by 6203-9U-088, item 43
15	6203-29-010-0	ROLL KIT (Sold separately & with #12 Kit)
16	6203-20-072	ROLL CAGE ASSEMBLY #16 Kit (Includes #17 & #18)
17		ROLL CAGE, PLASTIC-MACHINED (Sold separately & with #16 Kit)
18	6203-35-024-0	SPRING KIT, H-CLIP .008 THK (Sold separately & with #16 Kit)
19	6203-27-017-B	RACE/OUTPUT HUB ASSEMBLY #19 Kit (Includes #20 to #21)
20		RACE/OUTPUT HUB, FEMALE (Sold with #19 Kit)
21	PAP0806	PERMIGLIDE BUSHING (Sold with #19 Kit)
22	1242-00-009-T	TC815 NEEDLE ROLLER THRUST BEARING (Sold separately & with #19 Kit)
23	0430-01-002-T	1/2 DIA X 1 LG. DOWEL PIN (Sold separately & with #19 Kit)
24		RACE/OUTPUT HUB, MALE (Sold with #19 Kit)
25	6203-13-165	GEARCASE ASSEMBLY #25 Kit (Includes #26 to #32)
26	MB1615	DU BUSHING (Sold with #25 Kit)
27		LABEL, BAR CODE (Sold with #25 Kit)
28		TUBE, VENT 1/2 HOSE (Sold with #25 Kit)
29	0518-03-009-T	PLUG OIL FILL 3/4-16 HOLLOW HEAD (Sold separately & with #25 Kit) Torque item #29 (PLUG OIL FILL 3/4-16 HOLLOW HD) Tighten to 10 ft-lbs.
30		GEARCASE, LEFT HAND – MACHINED (Sold with #25 Kit)
31		BUSHNG, SELF LUBRICATING 80 X 85 X 20 (Sold with #25 Kit)
32	6203-95-001-0	DRAIN PLUG ASSEMBLY #32 Kit (Includes #33 & #34)
33		WASHER, .625 X .06, NYLON 6/6 (Sold with #32 Kit)
34		PLUG, OIL DRAIN, 3/8-16HH FLANGE WITH MAG. TIP (Sold with #32 Kit) Torque item #34 (PLG, OIL DRAIN, 3/8-16HH FLNGE W/M) Tighten to 9 ft-lbs.
35	6203-93-001-0	BOLT KIT Torque item #35 (5/16" X 1" Hex Head Bolts) Tighten to 17 ft-bs
36	6203-47-024-B	SHAFT PNION 11T3.75DP, MACHINED, Not serviced, replaced by 6203-9U-088
37	1215-02-154-T	6306-03-C3 DP GROOVE ROLLER BALL BEARING
38	6203-12-064-B	COVER PLATE, INPUT-MACHINED
39	6203-56-001-0	MINOR REPAIR KIT #39 Kit (Includes #6 & #40 to #42)
40		O-RING, INPUT, 148S (Sold with #39 Kit)
41	25X47X8	TRIPLE LIP OIL SEAL (Sold with #1 Kit & #39 Kit)
42	40X52X7TC	OIL SEAL, OUTPUT (Sold with #39 Kit)
43	6203-9U-088	KIT-GEAR, HARD TURNED (Includes #14 & #36)

# REAR TRANSAXLE AND AXLE SHAFTS

Model 996123, 125, 146, 147



# REAR TRANSAXLE AND AXLE SHAFTS

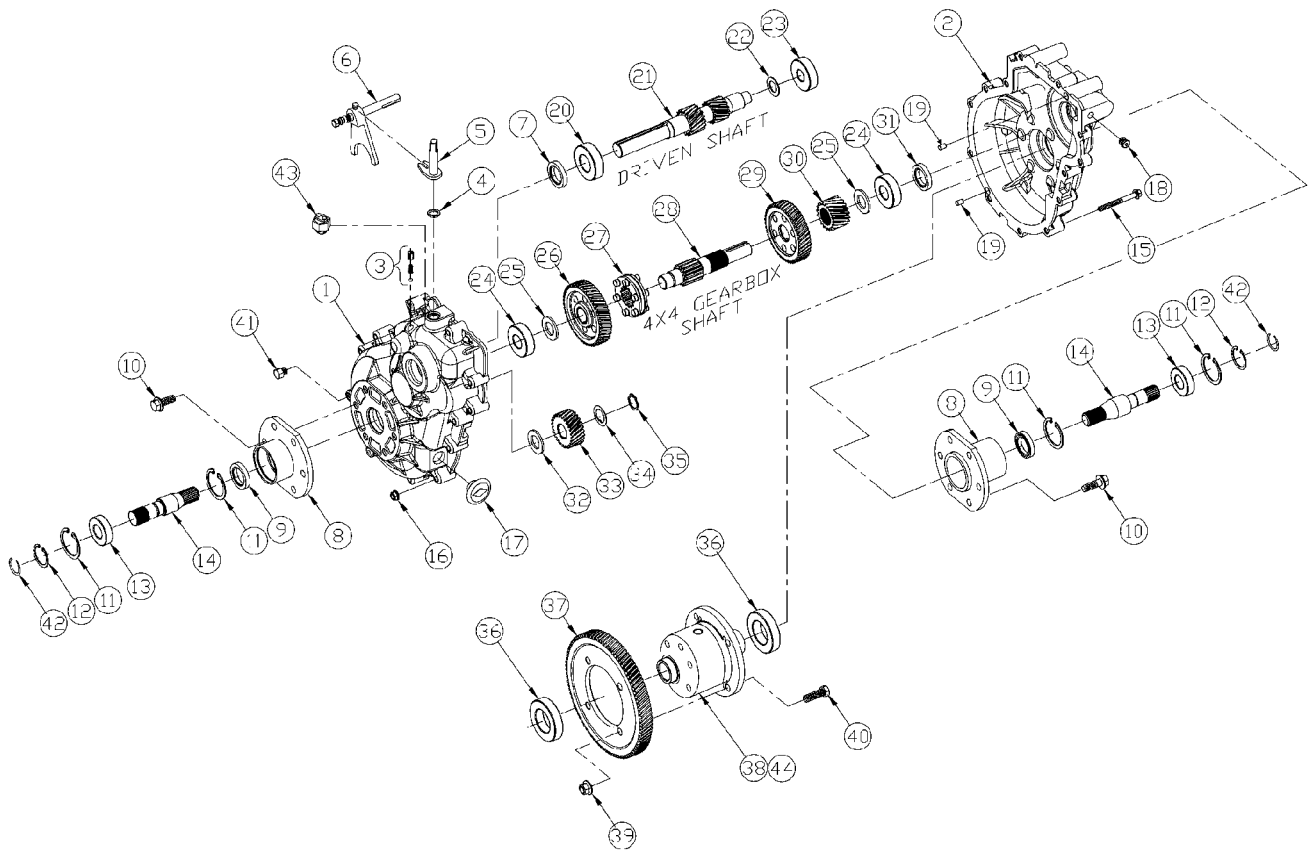
---

Model 996123, 125, 146, 147

Item	Part No.	Description
1	T803-332C	NUT, HEX M16 X 1.5 TOP LOCK PLT
2	06439000	WASHER, FLAT STEEL .812 X 1.50 X .135 YWZC
3	T826-454C	TRANSAXLE WITH AUTO-LOCK DIFF.
4	T826-456C	REAR AXLE SHFT ST, 24T INT.SPL
5	04261900	SPRING, TORSION, 1.058 X .777
6	04264151	BRACKET, SHIFT
7	05947700	BOLT, HEX .25-20 X 1.00 GR5 YWZC
8	05964700	BOLT, HEX .25-20 X 1.75 GR5 YWZC
9	04264651	FOLLOWER WLDT
10	04263900	SHIFT CAM, TRANS SIDE
11	06116900	SCREW, MCH 10-24 X .75 HWH YWZC
12	00964028	LOCKNUT, 10-24 CENTER
13	06529700	NUT, LOCKING CENTER .25-20 YWZC
14	00191185	BEARING, BALL .250 X .688 X .313
15	T840-270C	SHIFT CABLE (DASH)
16	T802-387C	HFS 5/16-18 X 3/4 GR5
17	04187200	CABLE END
18	07070101	BOLT, SHOULDER .25 X .375
19	04226851	BRACKET, MNT, SWITCH
20	T700-286D	BRACKET, CVT COVER TO TRANS.
21	06545700	NUT, HEX 4-40 YWZC GR5
22	T802-788C	HSHCS #4-40 X 1
23	T833-330C	PARK BRAKE MICRO-SWITCH
24	04314151	BRACKET, SWITCH ACTIVATING
25	04314251	MOUNT, PLUNGER SWITCH
26	00200412	SWITCH, NEUTRAL
27	06531000	NUT, LOCKING NYLON .250-20 YWZC
28	06530200	NUT, LOCKING NYLON .312-18 YWZC
29	06116700	SCREW, MCH 10-24 X .50 HWH YWZC
30	05947000	BOLT, HEX .31-18 X .75 GR5 YWZC
31	05946800	BOLT, HEX .25-20 X .75 GR5 YWZC
32	06006000	SCREW, SET .25-28 X .375 SK CUP
33	04264300	BUSHING, 0253 X .495 X 1.0625
34	06529700	NUT, LOCKING CENTER .25-20 YWZC

# REAR TRANSAXLE COMPONENTS

Model 996123, 125, 146, 147





# REAR TRANSAXLE COMPONENTS

Model 996123, 125, 146, 147

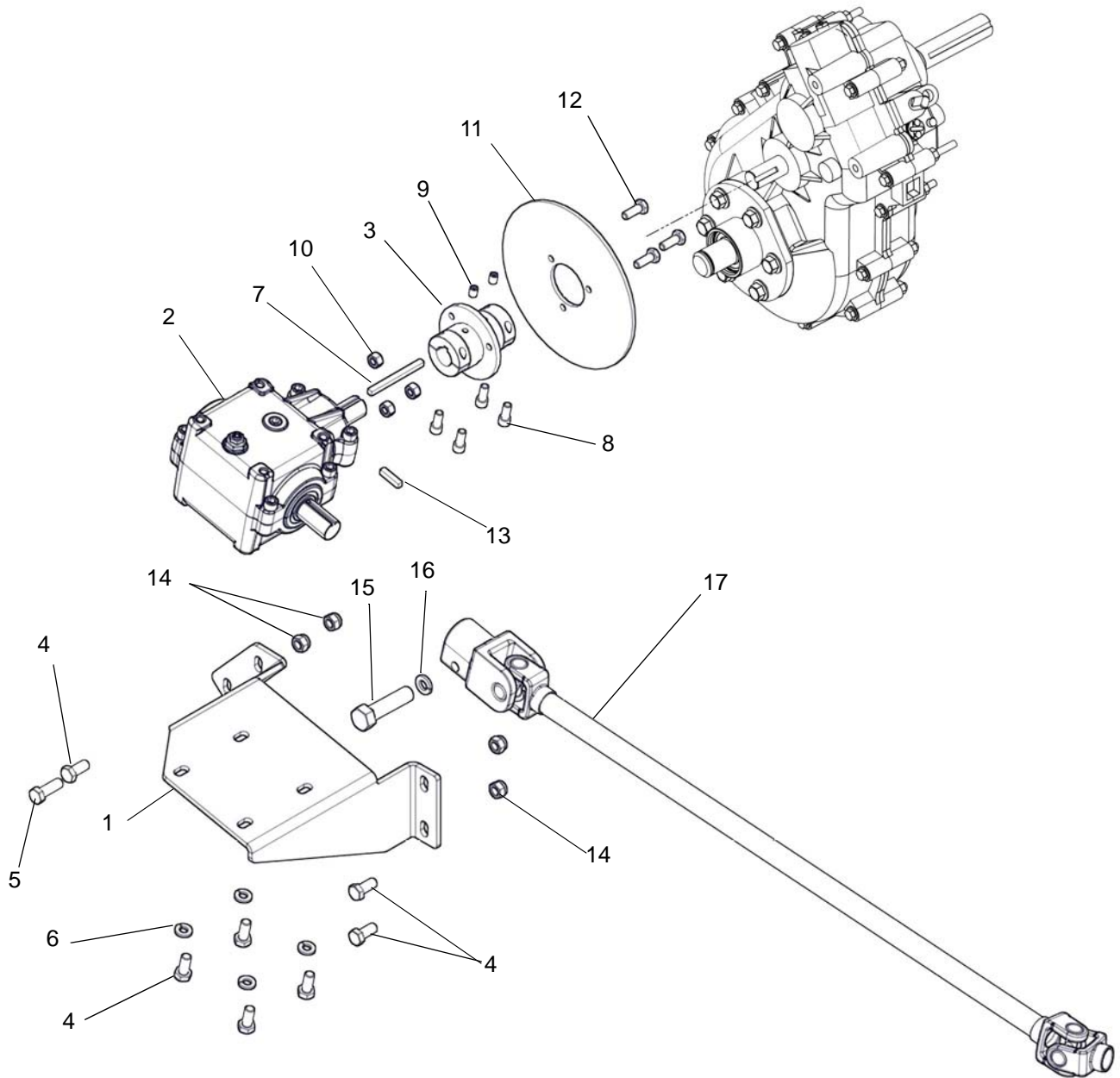
Item	Part No.	Description
	T826-454C	TRANSAXLE WITH AUTO-LOCK DIFF.
1	012CH291-2X	DANA HOUSING AND SHAFT ASSEMBLY
2	012CH289	DANA HOUSING – AXLE FIN
3	012LK133	DANA KIT, DETENT
4	012HH122	DANA SEAL – OIL
5	012GV164-X	DANA ACTUATOR ASSEMBLY
6	012SV118-X	DANA SHIFT ROD SUB-ASSEMBLY
7	012HH128	DANA SEAL – OIL
8	012TA378	REAR TUBE ASSEMBLY
9	012HH107	SEAL – OIL
10	026HM107	DANA SCREW – FLG HEAD
11	840293	DANA RING, RETAINING
12	012HR133	RING – RETAINER
13	012HD106	BEARING – BALL SINGLE
14	012SR172	SHAFT – AXLE, FIN
15	012HM110-1	DANA SCREW – FLG HEAD
16	012HN120	DANA NUT – LOCK
17	41356	DANA PLUG – RUBBER
18	012HN140	DANA VENT PLUG
19	012HP120	DANA PIN – DOWEL
20	585965	DANA BEARING 6205
21	012GS307	DANA SHAFT – INPUT FIN
22	012LK134	DANA KIT, SHIM
23	012HD111	DANA BEARING – 6303 BALL SINGLE
24	012HD129	DANA BEARING – 6204 BALL SINGLE
25	012HS121	DANA SPACER – FLAT
26	012GS202-X	DANA GEAR ASSEMBLY – FORWARD
27	012GS302	DANA GEAR – CLUTCH
28	012GS337	DANA SHAFT – INTERMEDIATE FIN
29	012GS204-X	DANA GEAR ASSEMBLY – REVERSE
30	012GS215	DANA GEAR – HELICAL FIN
31	012HH140	DANA SEAL – OIL
32	012HS125	DANA WASHER – THRUST
33	012GS207-X	DANA GEAR ASSEMBLY – IDLER
34	012HS126	DANA WASHER – THRUST
35	012HR128	DANA RING – SNAP
36	585994	DANA BEARING 6007
37	012GS216	DANA GEAR – HELICAL FIN
38	T826-458C	DIFFERENTIAL, AUTO-LOCK
39	012HN138	DANA NUT – LOCK
40	012HM129	DANA BOLT – HEX
41	012HG145	DANA DRAIN PLUG
42	012HR132	RETAINER – SHAFT, AXLE
43	5803	SWITCH, NEUTRAL, DANA GBOX
44	T700-518A	AUTO-LOK KIT* (Kit includes 1 ea. #38, 4 ea. #39 & 4 ea. #40)
45	00070019	OIL, THP FLUID - 424 EQUIV. QT (Not Shown)

## NOTES:

- 1 USE Mobil 424, ARIENS P/N 00070019
- 2 GEAR LUBE CAPACITY = 20 TO 24 FL. OZ.
- 3 USE LOC-TITE® 518 AS A GASKET BETWEEN HOUSINGS #1 & #2 AND BETWEEN REAR TUBE ASSY #8 AND HOUSINGS #1 & #2.

# TRANSFER CASE AND REAR DRIVESHAFT

Model 996146, 147



# TRANSFER CASE AND REAR DRIVESHAFT

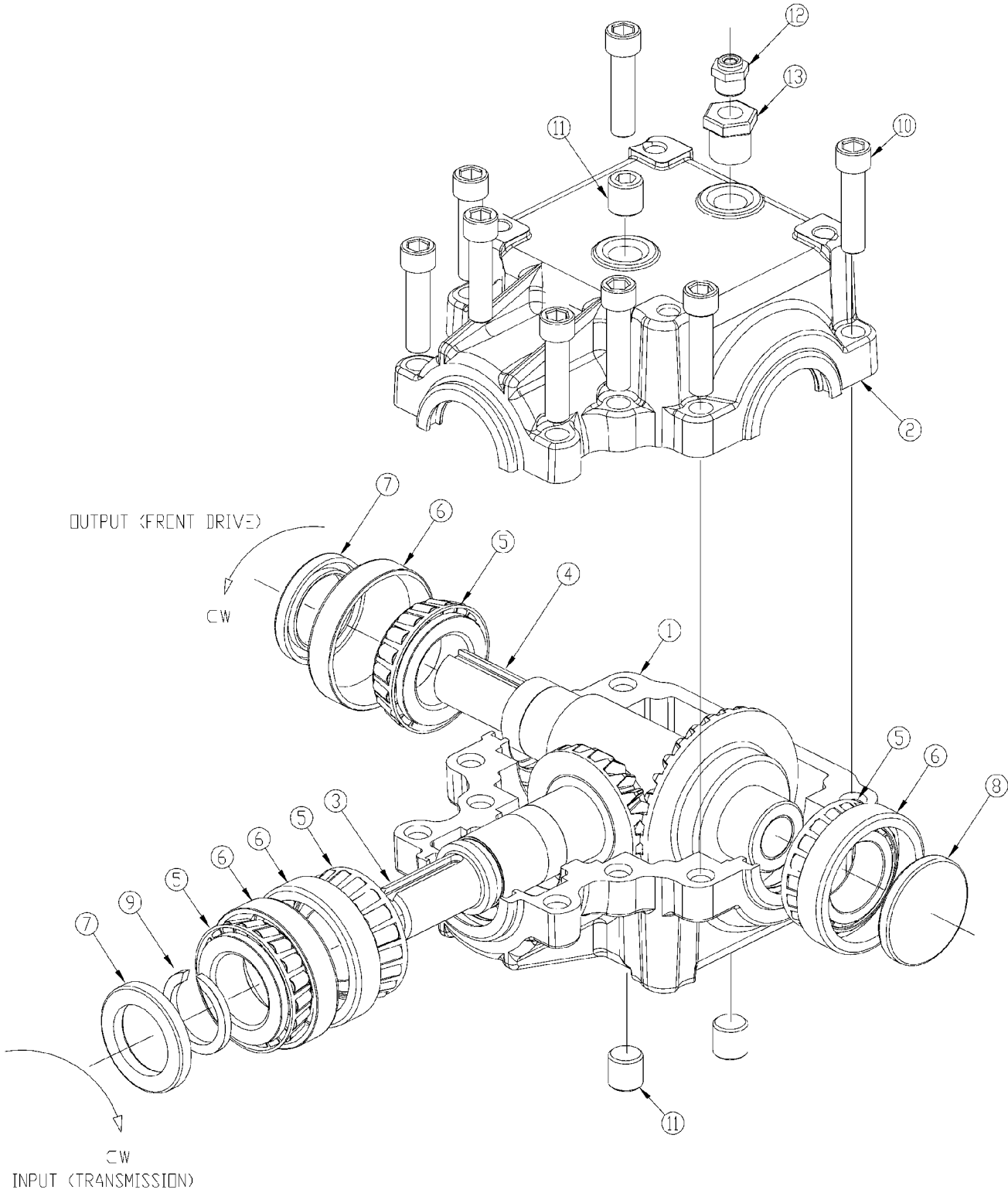
---

## Model 996146, 147

Item	Part No.	Description
1	04228651	GEAR BOX MNT PLATE
2	T826-417C	GBOX MODEL R100 1.5 TO 1 RATIO
3	04054400	CLAMP COUPLING
4	05947000	BOLT, HEX .31-18 .75 G5 YWZC
5	05946900	BOLT, HEX .31-18 1.00 G5 YWZC
6	06308600	WASHER, LOCK .31 X. 078 REG YWZC
7	00130969	KEY .188 X .188 X 2.50 SQ
8	T802-774C	HSHCS 1/4-28 X 5/8
9	06006000	SET SCREW, .25-28 X .375 ALHD CUP
10	06529700	NUT, LOCK CENTER .25-20 YWZC
11	04228200	DISK, PARK BRAKE
12	05946800	BOLT, HEX .25-20 X .75 GR5 YWZC
13	T800-296C	KEY, 3/16 X 7/8
14	06530200	NUT, HEX NYLOCK .312-18 YWZC
15	05963300	BOLT, HEX .38-16 X 2.0 GR5Y REG TWZCWZV
16	06308800	WASHER, LOCK .38 X .094
17	T826-419C	REAR HALF DRIVELINE

# TRANSFER CASE COMPONENTS

Model 996146, 147



# TRANSFER CASE COMPONENTS

---

## Model 996146, 147

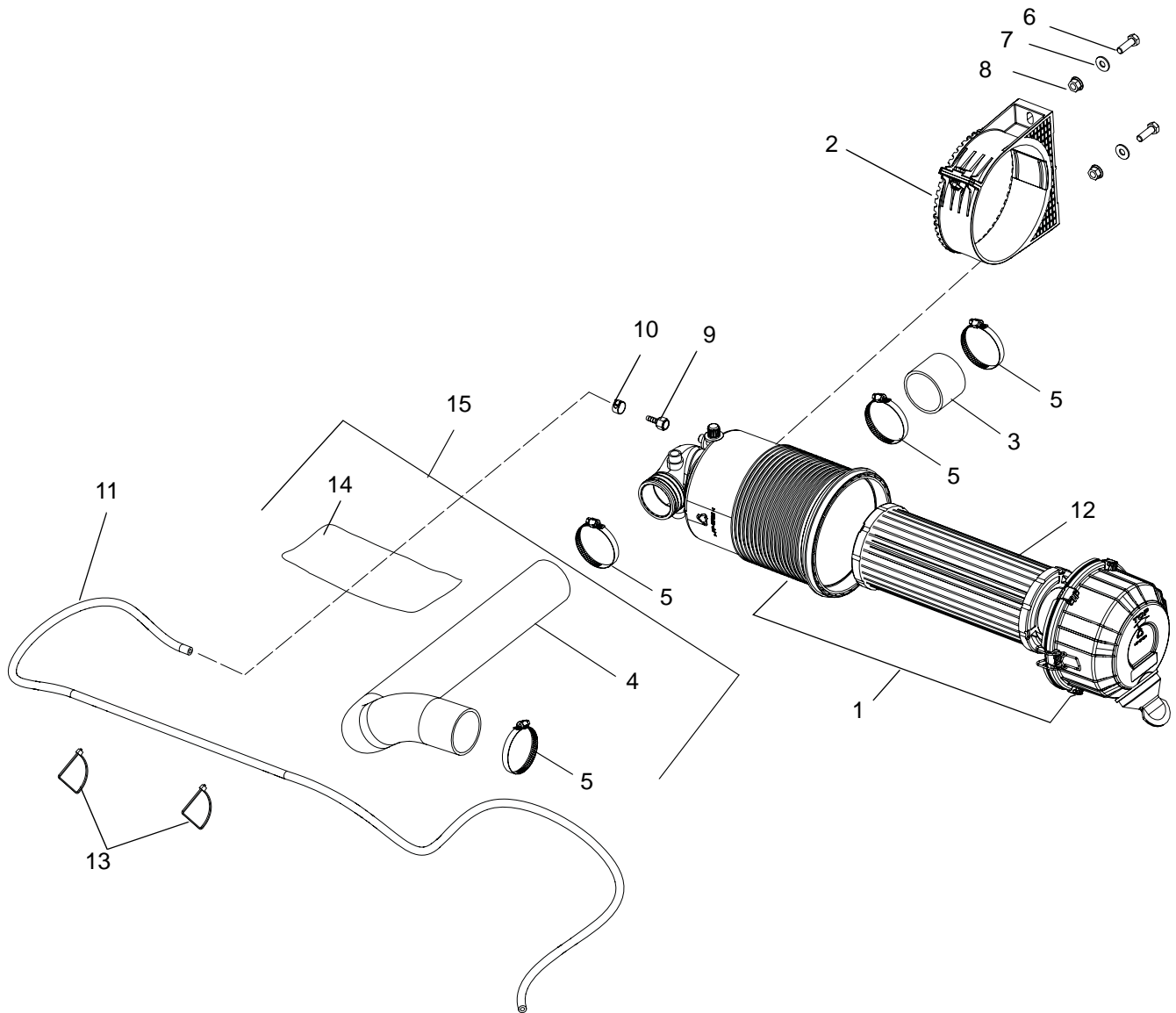
Item	Part No.	Description
1	T826-417C	GBOX MODEL R100 1.5TO1 RATIO
1	R100-003M-A0427	HOUSING, R100 MACHINED TAP STD
2	R100-004M-A0428	HOUSING, R100 MACHINED THRU STD
3	R100-8B00-A0471	STUB SHAFT/GEAR ASSEMBLY
4	R100-8B00-A0473	SUPERIOR CROSS SHAFT/GEAR ASSEMBLY
5	244643	BEARING, CONE1.00VN-L44643
6	244610	BEARING, CUP 1.98VN-L44610
7	109843	SEAL, 1-1.5-.187(R)TC
8	100301	CAP, CP-1.5 -.187D#7647
9	203293	RTN RING EXT 1.000 SHAFT
10	103125	BOLT 5/16-18 X 1.25 SHCS
11	200300	PLUG 1/4-18NPT SCHD
12	2003PR	PLUG VENT 5PSIV/N005677
13	2003VB	BUSHING 1/4 NPT X 1/8 NPT

### NOTES:

- 1 Use S.A.E 80/90 wt. GL-5 lube.
- 2 Oil capacity = 6 oz.

# AIR CLEANER

Model 996123, 125, 146, 147

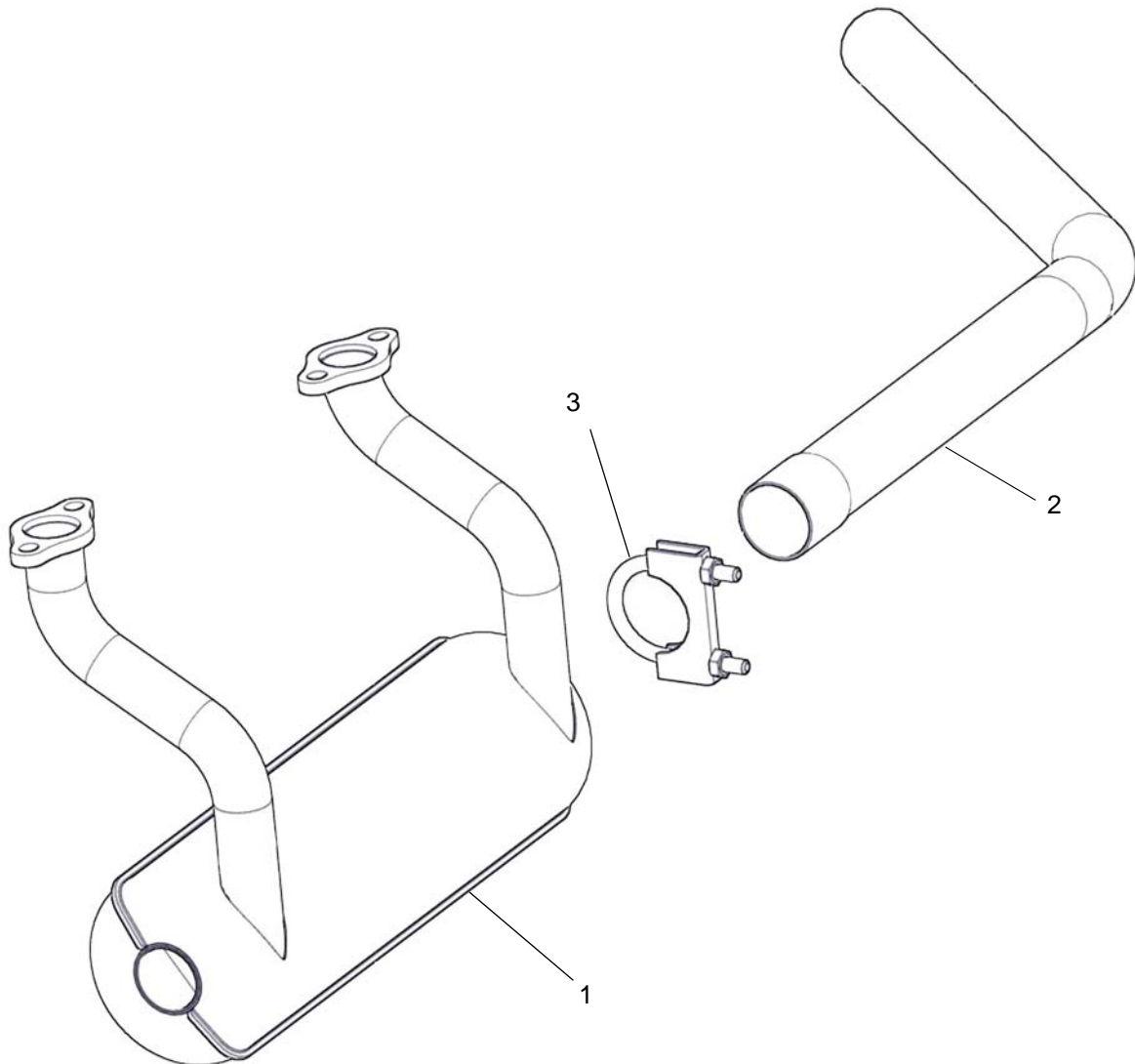


Item	Part No.	Description
1	04430900	ASSEMBLY, AIR CLEANER EPA
2	04434200	CLAMP, AIR CLEANER BRACKET
3	04236300	INTAKE AIR FILTER COUPLER
4	04235500	INTAKE TUBE, ENGINE
5	T800-259C	CLAMP, HOSE, WRM DRV, 1.81 X 2.75
6	05946900	BOLT, HEX .31-18 X 1.00 GR5 YWZC
7	T804-084C	WASHER, FLAT STEEL .312 X .734 X .065 YWZC
8	T803-177C	HEX NUT, LOCKING TOP FLANGE .31-18 YWZC
9	07001705	FITTING, 1/8-27 NPT, 3/16 BARB
10	04097700	CLAMP, FUEL LINE, 3/16"
11	03375900	HOSE, .188 LOW-PERM 34"
12	T839-323C	FILTER AIR OUTER ELEMENT
13	07500040	CABLE TIE WITH TREE
14	04371500	TAPE FOIL 39"
15	21552900	ASM, INTAKE HOSE & HEAT TAPE (Includes items #4 & #14 assembled)

# EXHAUST COMPONENTS

---

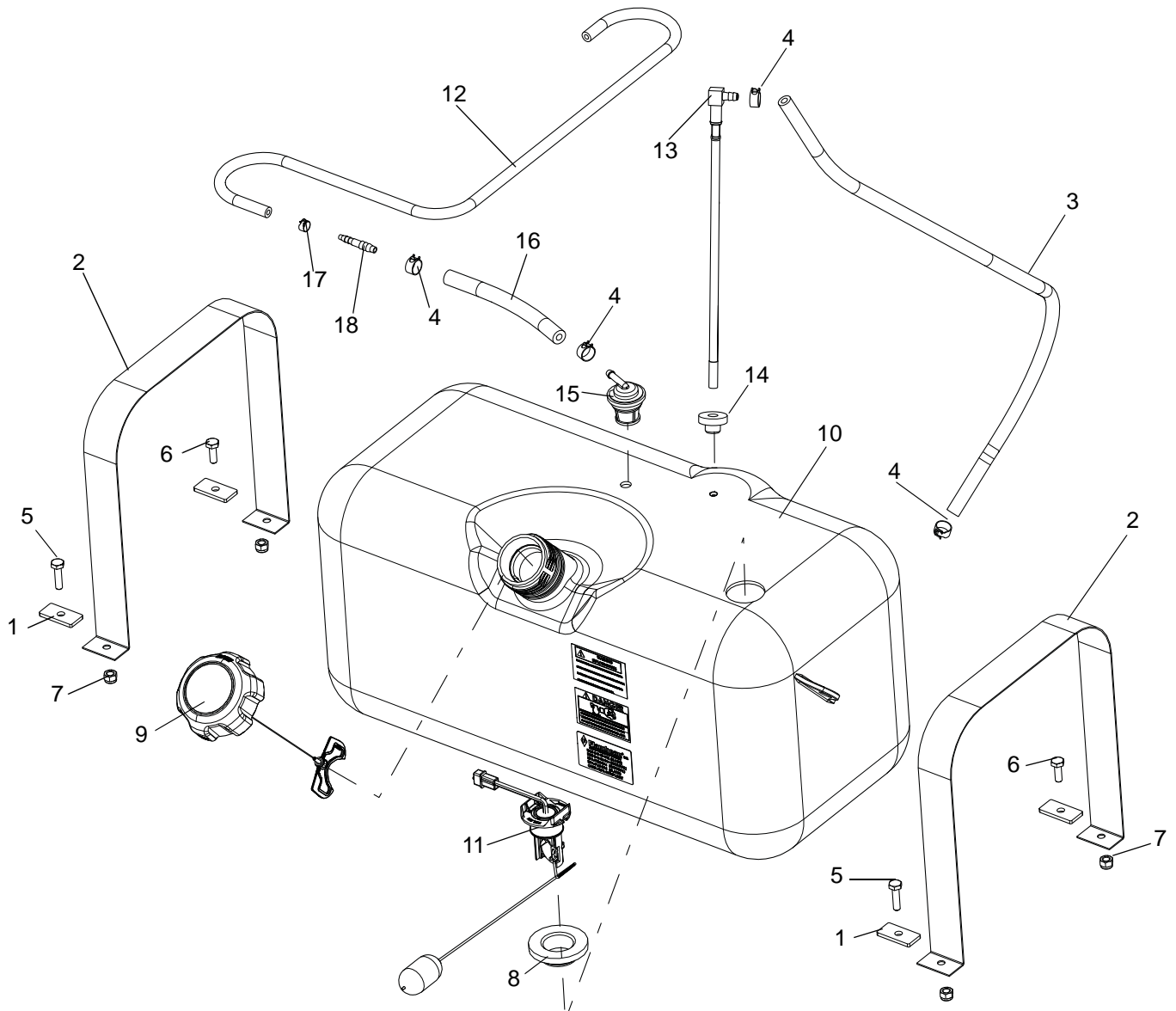
Model 996123, 125, 146, 147



Item	Part No.	Description
1	04238200	MUFFLER, EH65
2	04238300	TAILPIPE, EH65
3	06900513	MUFFLER CLAMP

# FUEL TANK

Model 996123, 125, 146, 147





# FUEL TANK

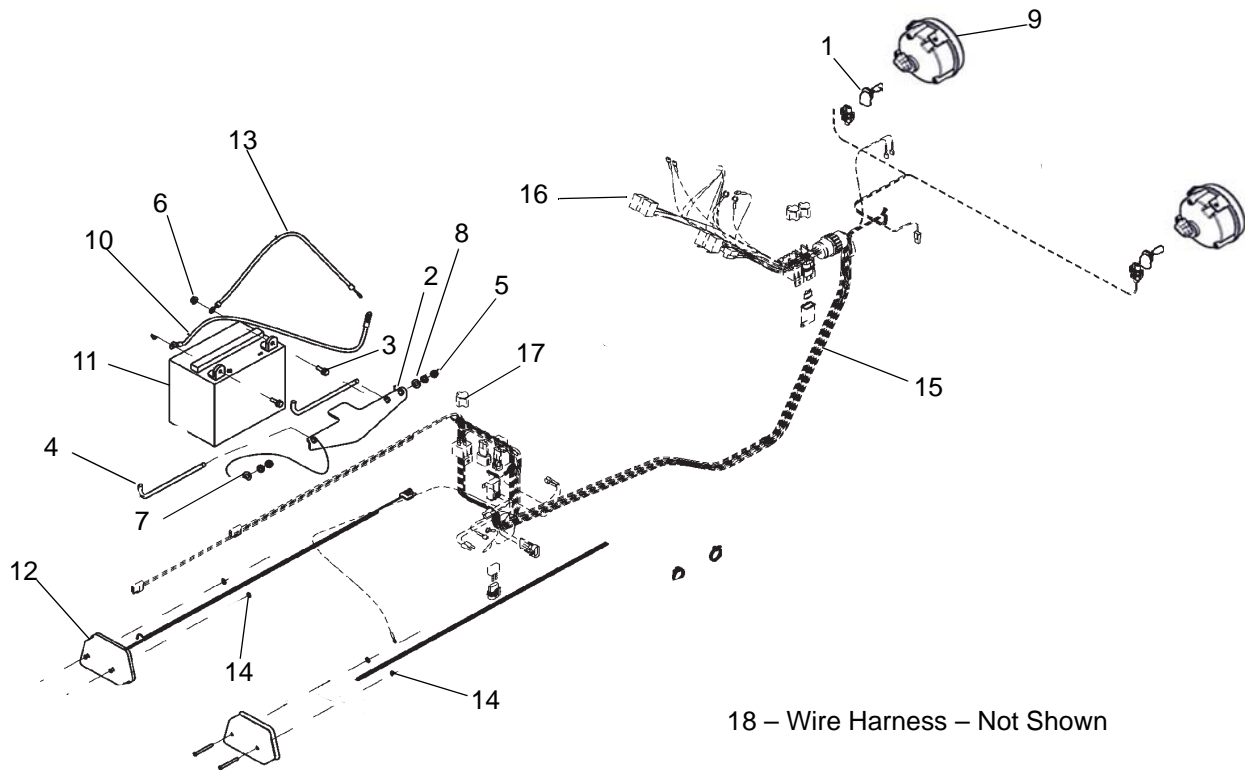
---

## Model 996123, 125, 146, 147

Item	Part No.	Description
1	T700-017D	GAS TANK MOUNT SPACER
2	T700-175D	GAS TANK STRAP, WIDE
3	T700-213D	FUEL LINE 10" ST MODEL
4	03278800	CLAMP, FUEL LINE, 1/4"
5	05946800	BOLT, HEX .25-20 X .75 GR5 YWZC
6	05947700	BOLT, HEX .25-20 X 1.00 GR5 YWZC
7	06531000	NUT, HEX NYLOCK .25-20 YWZC
8	04240300	GROMMET, FUEL SENDER
9	04589200	CAP, 2.25" ONE-WAY VENT FUEL
10	04434100	FUEL TANK, EPA
11	04053801	SENDER, FUEL LEVEL
12	03375900	HOSE, .188 LOW PERM 34"
13	21551100	FUEL, TANK PICK-UP LINE
14	00387300	GROMMET, DAPCO VITON #12240
15	21552800	IN-LINE CHECK VALVE, GROMMET FUEL TANK VENT
16	03278100	HOSE, .25 LOW-PERM BULK GAS, 6"
17	04097700	CLAMP, FUEL LINE, 3/16"
18	04580000	ADAPTOR, HOSE 3/16" TO 1/4"

# ELECTRICAL WIRING

Model 996123, 125, 146, 147



18 – Wire Harness – Not Shown

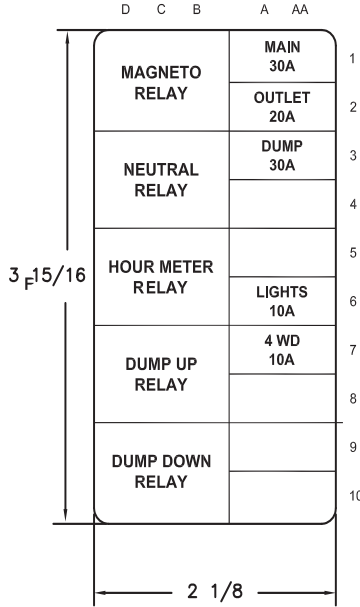
Item	Part No.	Description
1	N/A	HEADLIGHT BULB 37.5 WATT 894
2	T700-456D	HOLDOWN, BATTERY ST
3	06006127	SCREW, HEX FLANGE .25-20 X .625
4	T802-793C	SP HOOK 5/16-18 X 9 X 3 THREAD
5	06529200	NUT, HEX 5/16-18 YWZC
6	06543500	NUT, HEX FLANGE T-LOCK 1/4-20 YLW
7	06435800	WASHER, FLAT STEEL .312 X .734 X .065
8	06308600	WASHER, LOCK .31 X .078 REG YWZC
9	04090600	HEADLIGHT, ROUND
10	T833-256C	BATTERY CABLE POSITIVE 15 INCH
11	N/A	BATTERY (BUY LOCALLY BCI Group U1/U1R, Min. 300CA)
12	04237900	TAIL LIGHT, LED
13	T833-303C	20" 6GA NEGATIVE BLACK CABLE
14	T840-105C	PUSH RETAINERS 4 NON-THRD SHFT
15	04237600	WIRE HARNESS, MAIN
16	04237701	WIRE HARNESS, SUB DASH
17	00102770	RELAY, ISO MINI ELEC.
18	04320101	HARNESS, SUB ENGINE KILL (Not Shown)
19	04438100	FUSE, 10 AMP MINI-ATC (600/601 Series) (Not Shown)
20	04438300	FUSE, 20 AMP MINI-ATC (600/601 Series) (Not Shown)
21	04504100	FUSE, 30 AMP MINI-ATC (600/601 Series) (Not Shown)
22	04438400	RELAY, MICRO5 TERMINAL WITH DIODES (600/601 Series) (Not Shown)
23	04504200	COVER, HARNESS FUSE/RELAY MODULE (601 Series) (Not Shown)
24	03653300	MODULE, VOLTAGE SENSOR (700/701 Series) (Not Shown)
25	00102770	RELAY, ISO MINI ELECTRIC (100/100 Series) (Not Shown)

# MAIN HARNESS IDENTIFICATION

Model 996123, 125, 146, 147

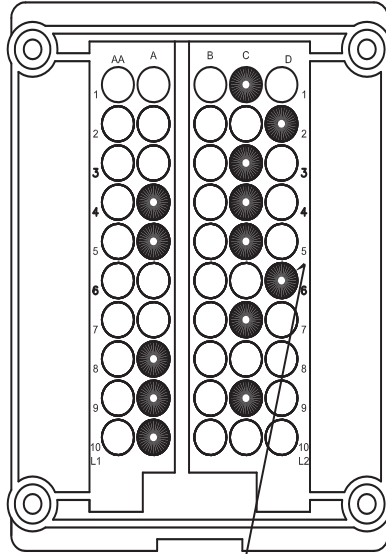
## 600 SERIES

### DECAL INSIDE FUSE BLOCK COVER



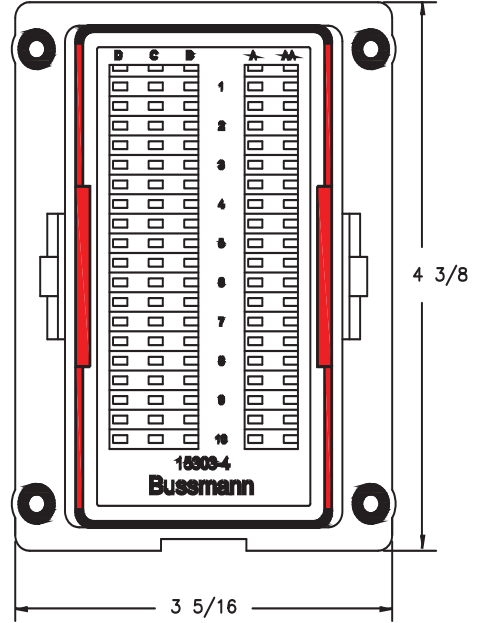
### LASER CUT DECAL PANEL

### BOTTOM VIEW

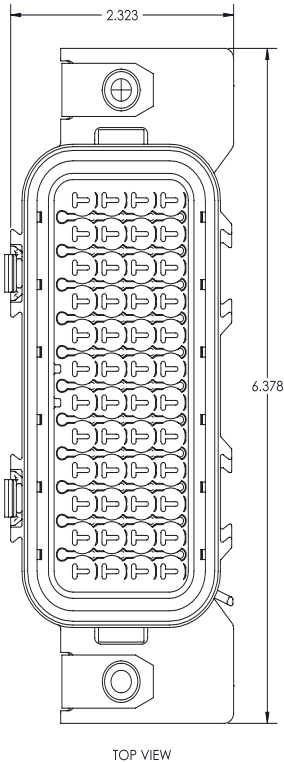


INSTALL HOLE PLUGS  
IN ALL OPEN HOLES

### TOP VIEW



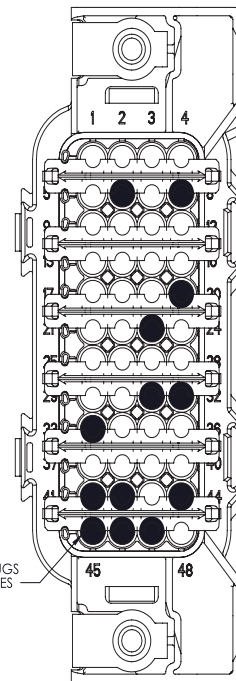
## 601 SERIES



TOP VIEW

		NEUTRAL RELAY	
		MAGNETO RELAY	
4WD 10A	OUTLET 20A	HOUR METER RELAY	
LIGHTS 10A	MAIN 30A	DUMP UP RELAY	
DUMP 30A	DUMP DOWN RELAY		

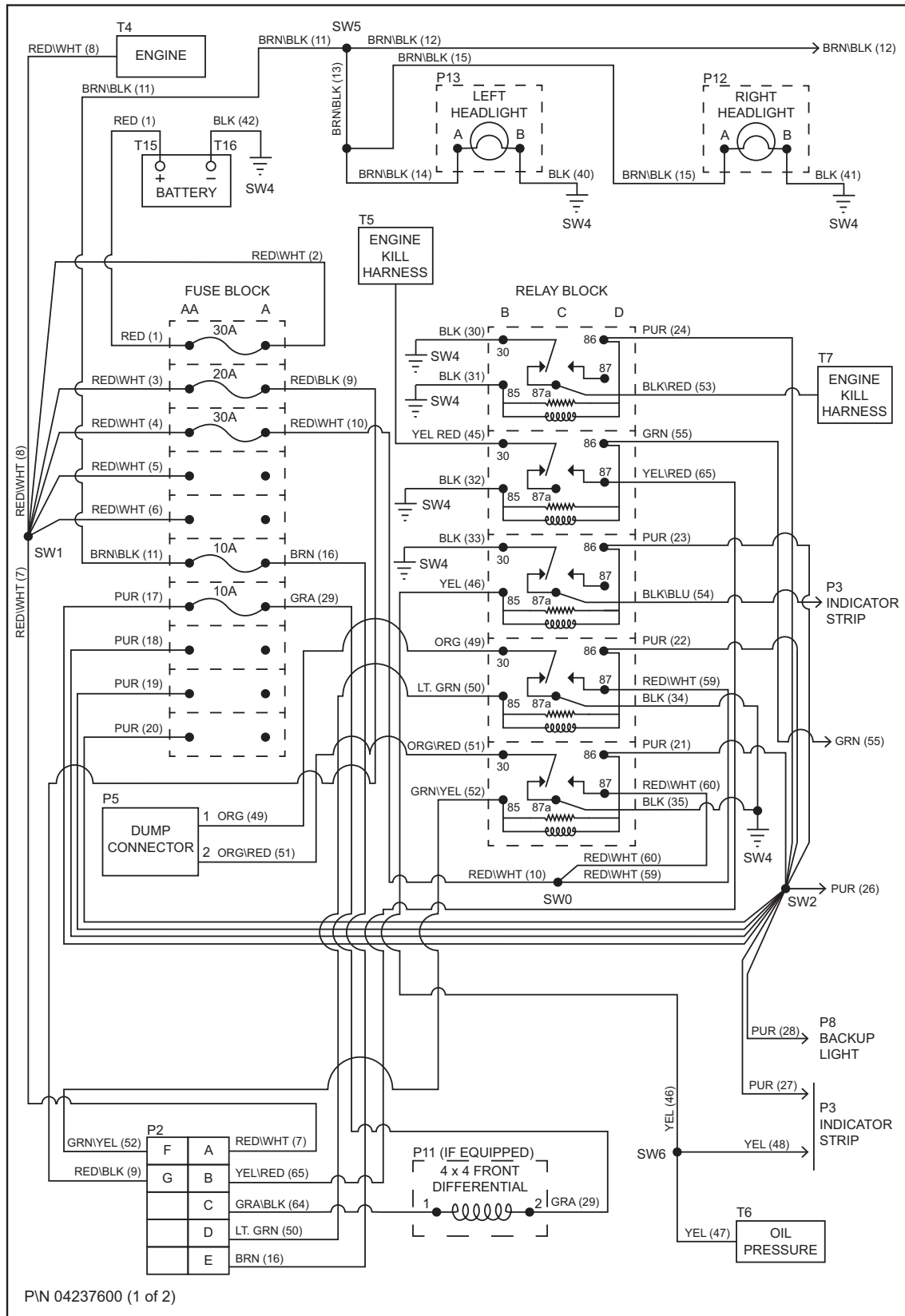
TOP VIEW



BOTTOM VIEW

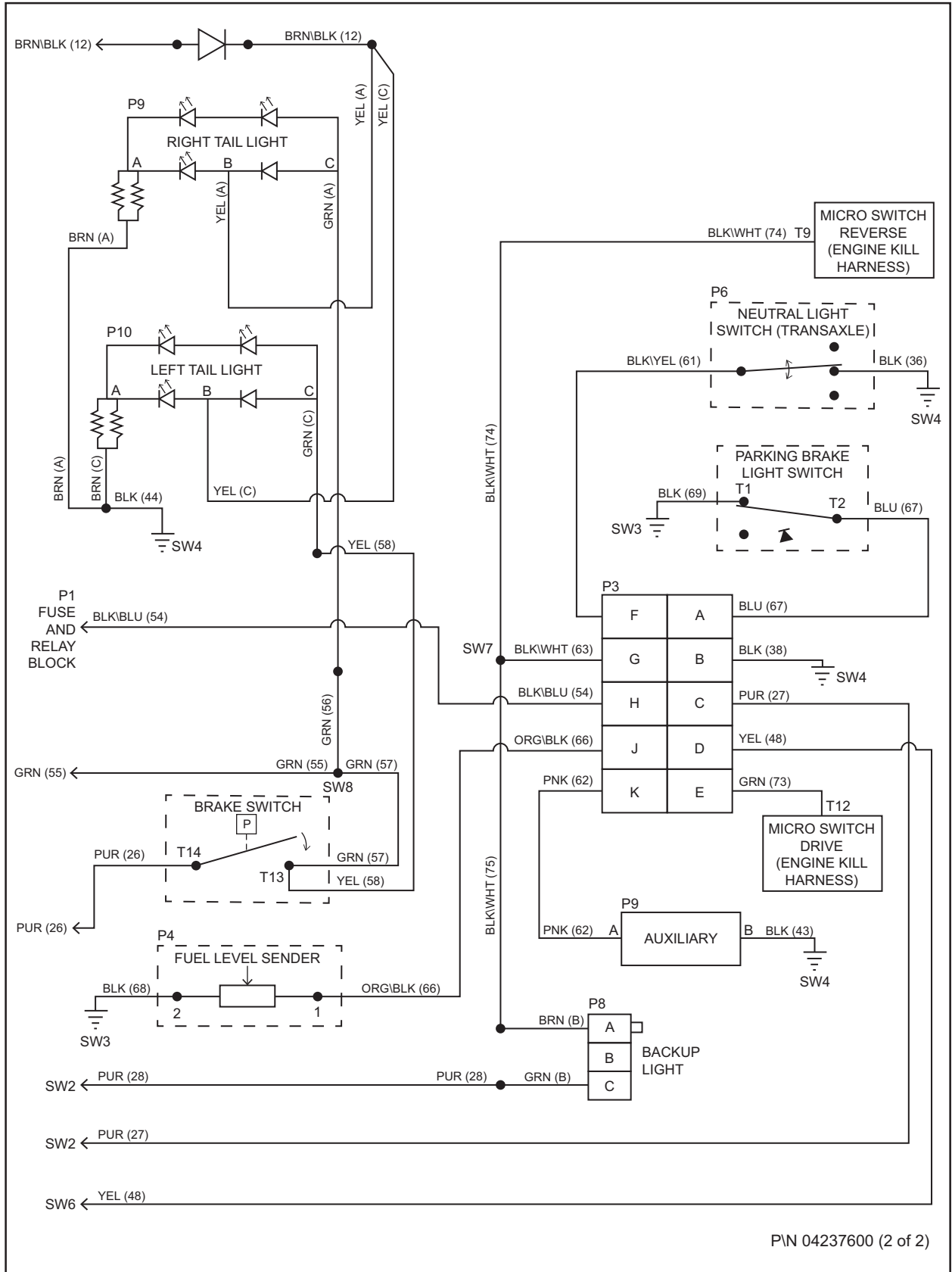
# WIRING DIAGRAM – MAIN 600

Model 996123, 125, 146, 147



# WIRING DIAGRAM – MAIN 600

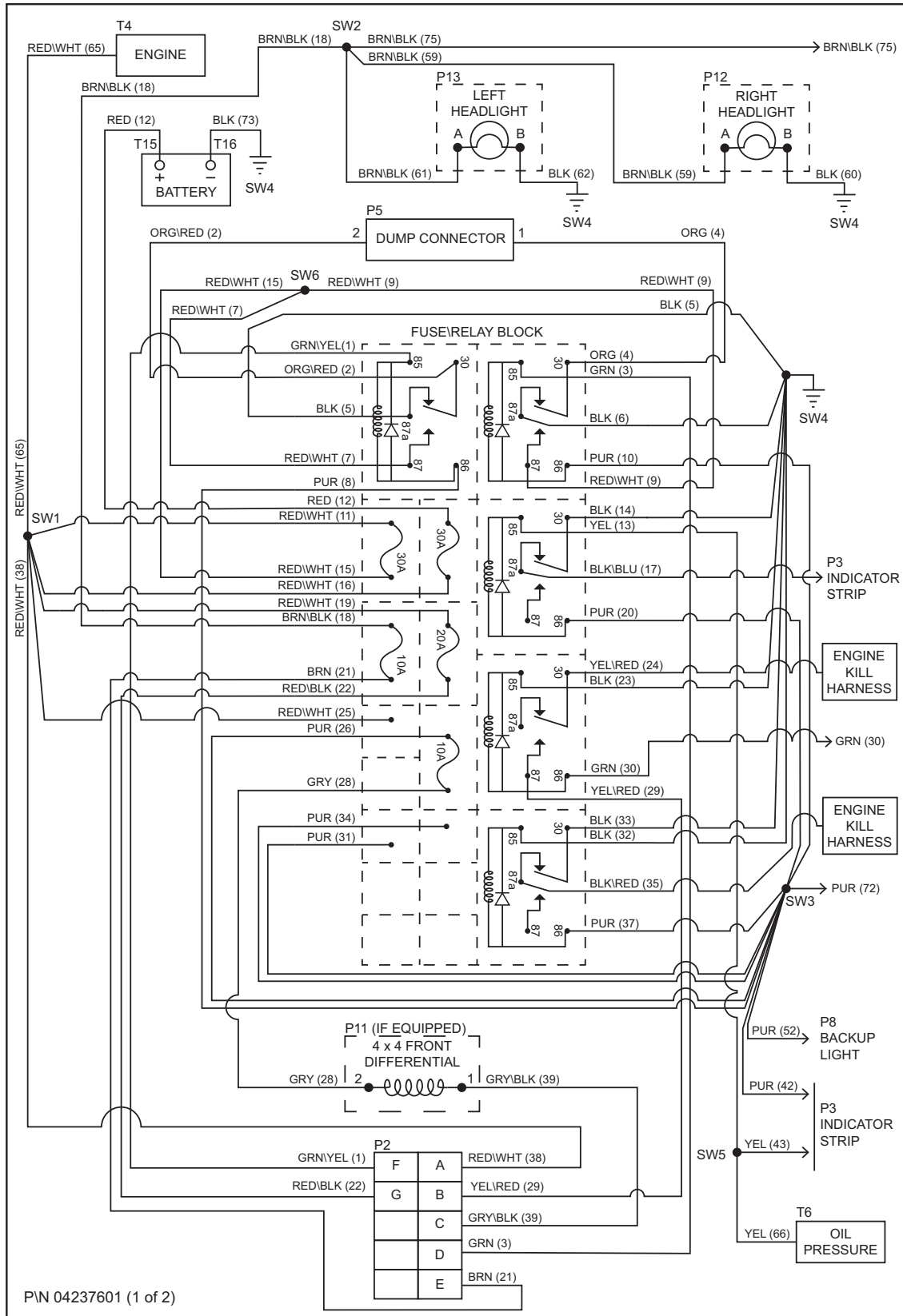
Model 996123, 125, 146, 147



P/N 04237600 (2 of 2)

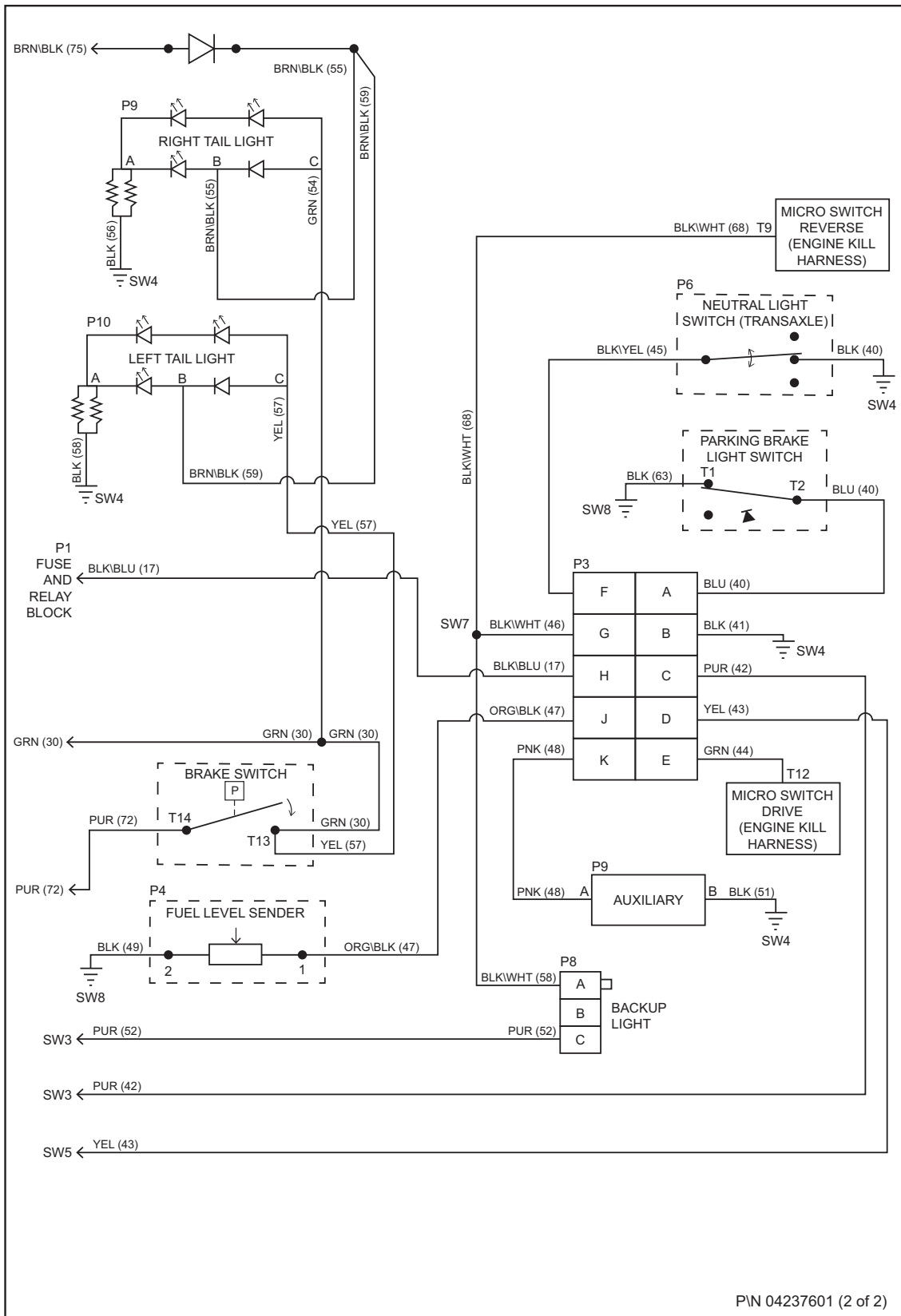
# WIRING DIAGRAM – MAIN 601

Model 996123, 125, 146, 147



# WIRING DIAGRAM – MAIN 601

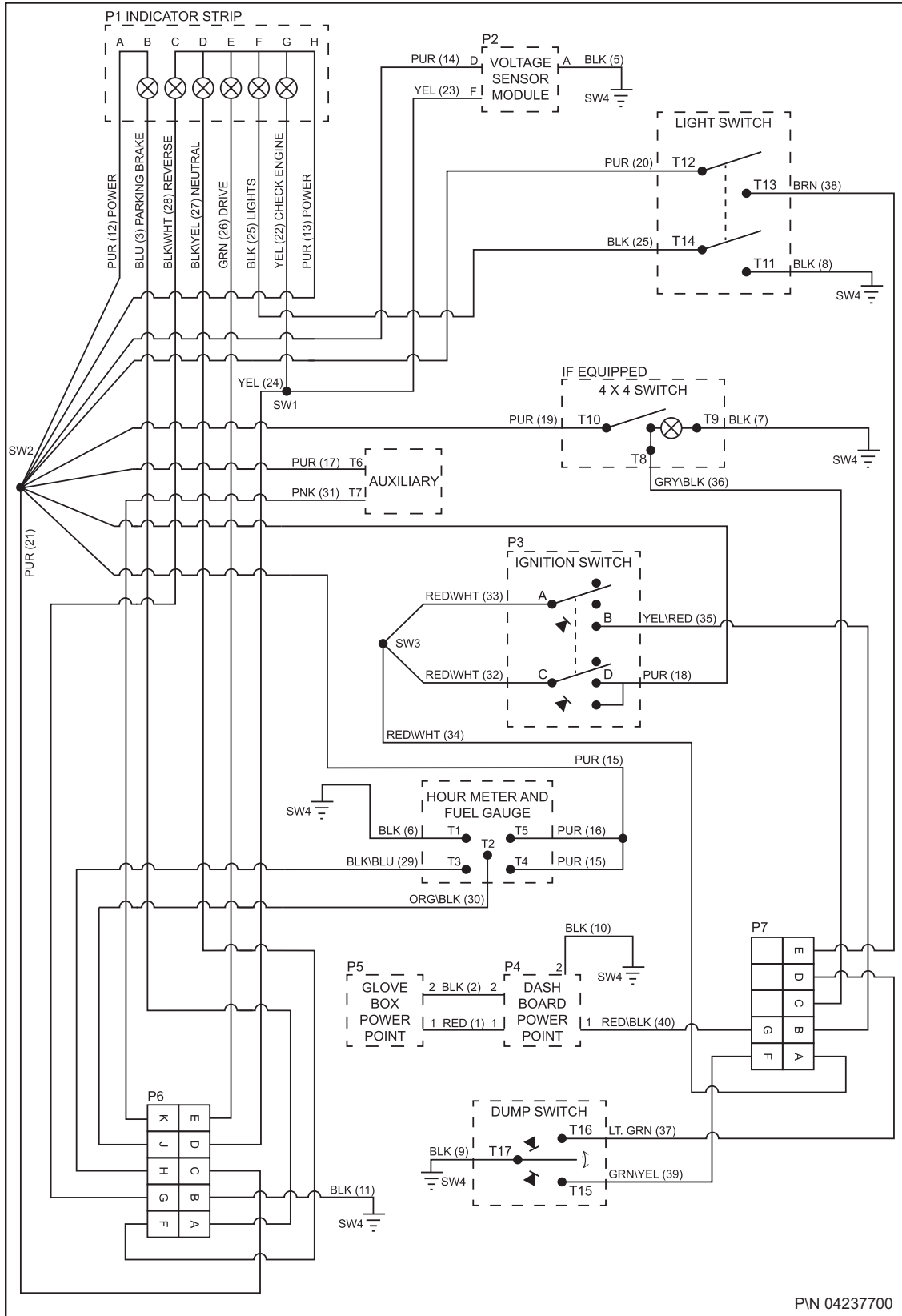
Model 996123, 125, 146, 147



PIN 04237601 (2 of 2)

# WIRING DIAGRAM – SUB DASH 700

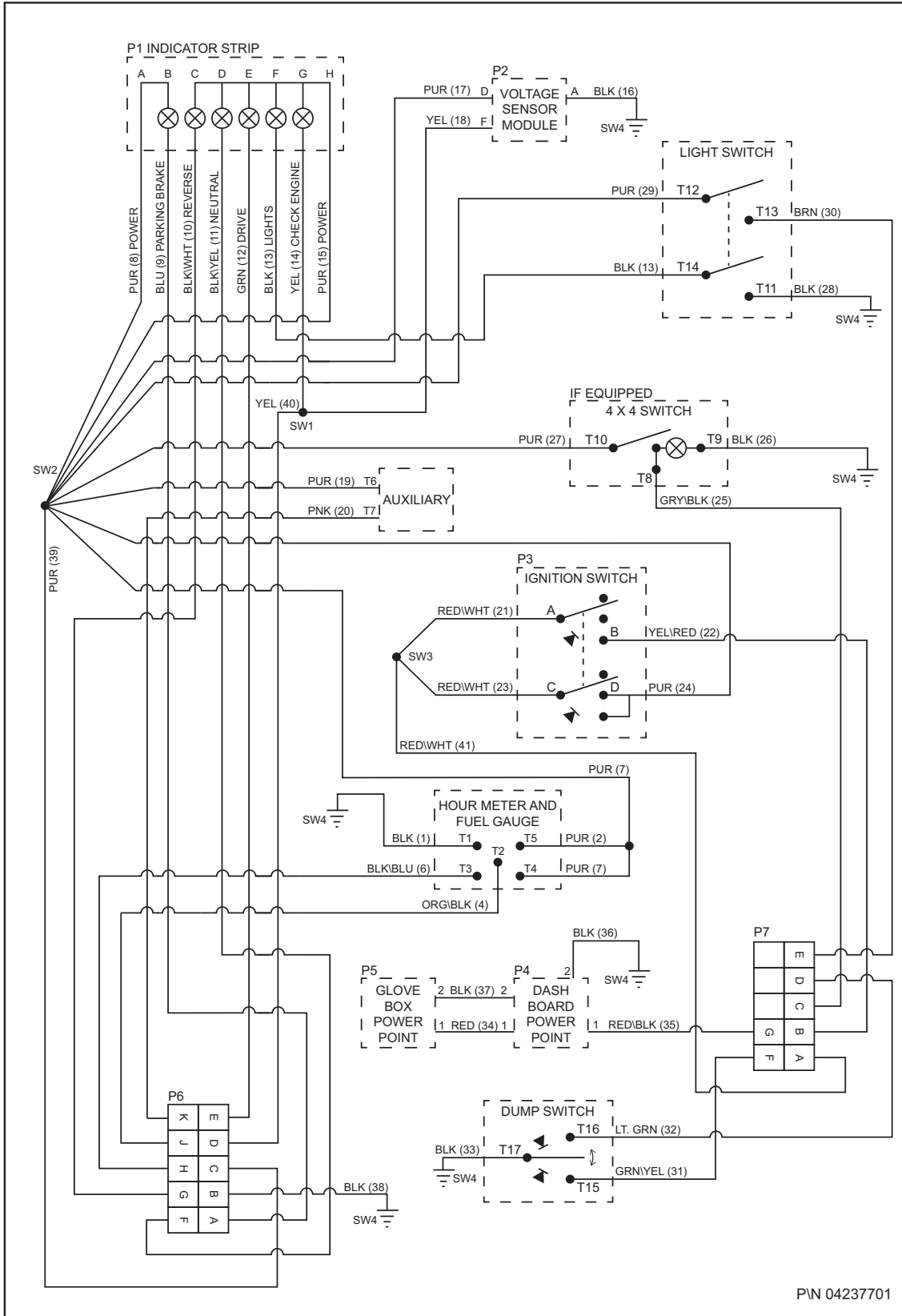
Model 996123, 125, 146, 147





# WIRING DIAGRAM – SUB DASH 701

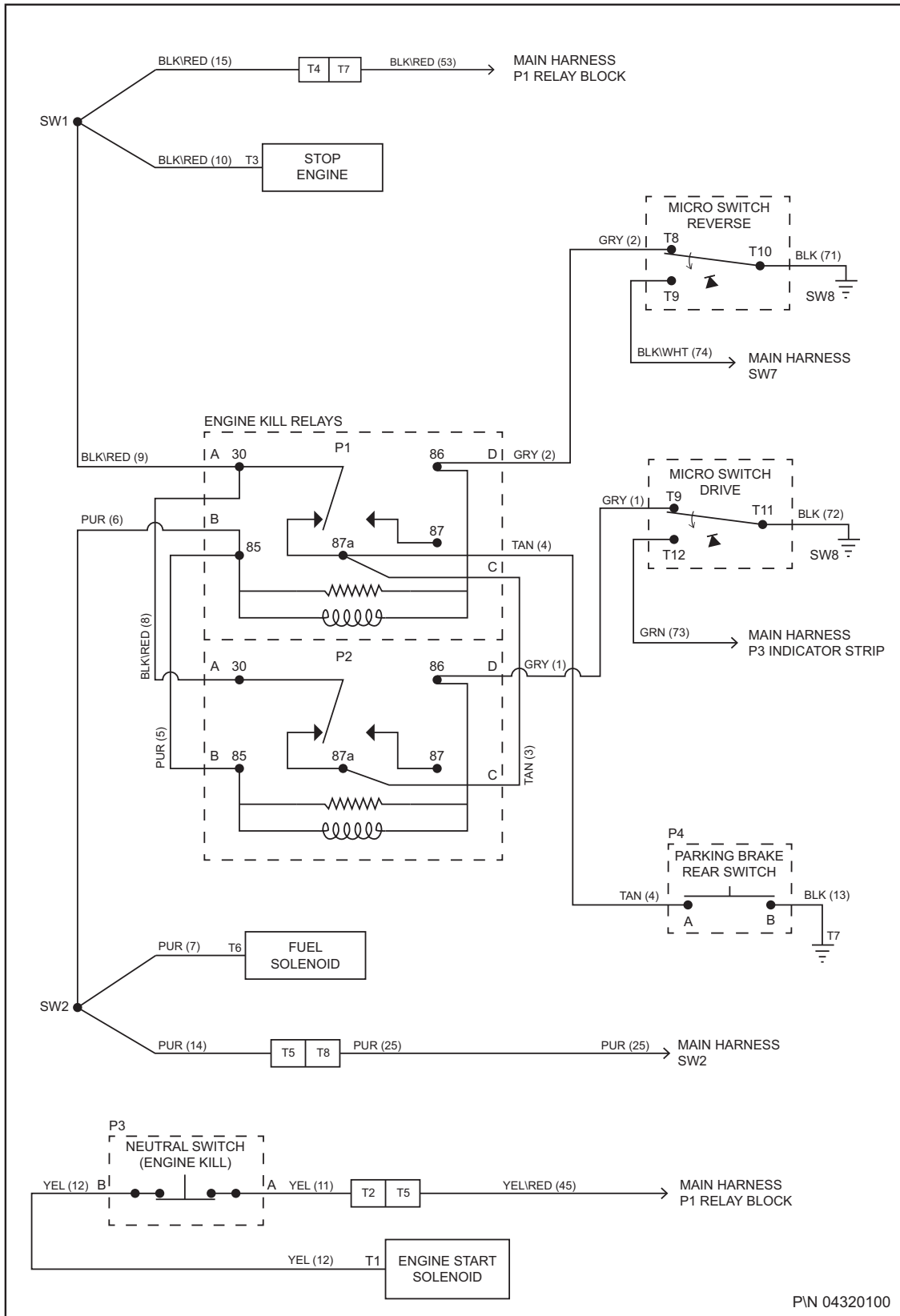
Model 996123, 125, 146, 147



P\N 04237701

# WIRING DIAGRAM – SUB ENGINE KILL 100

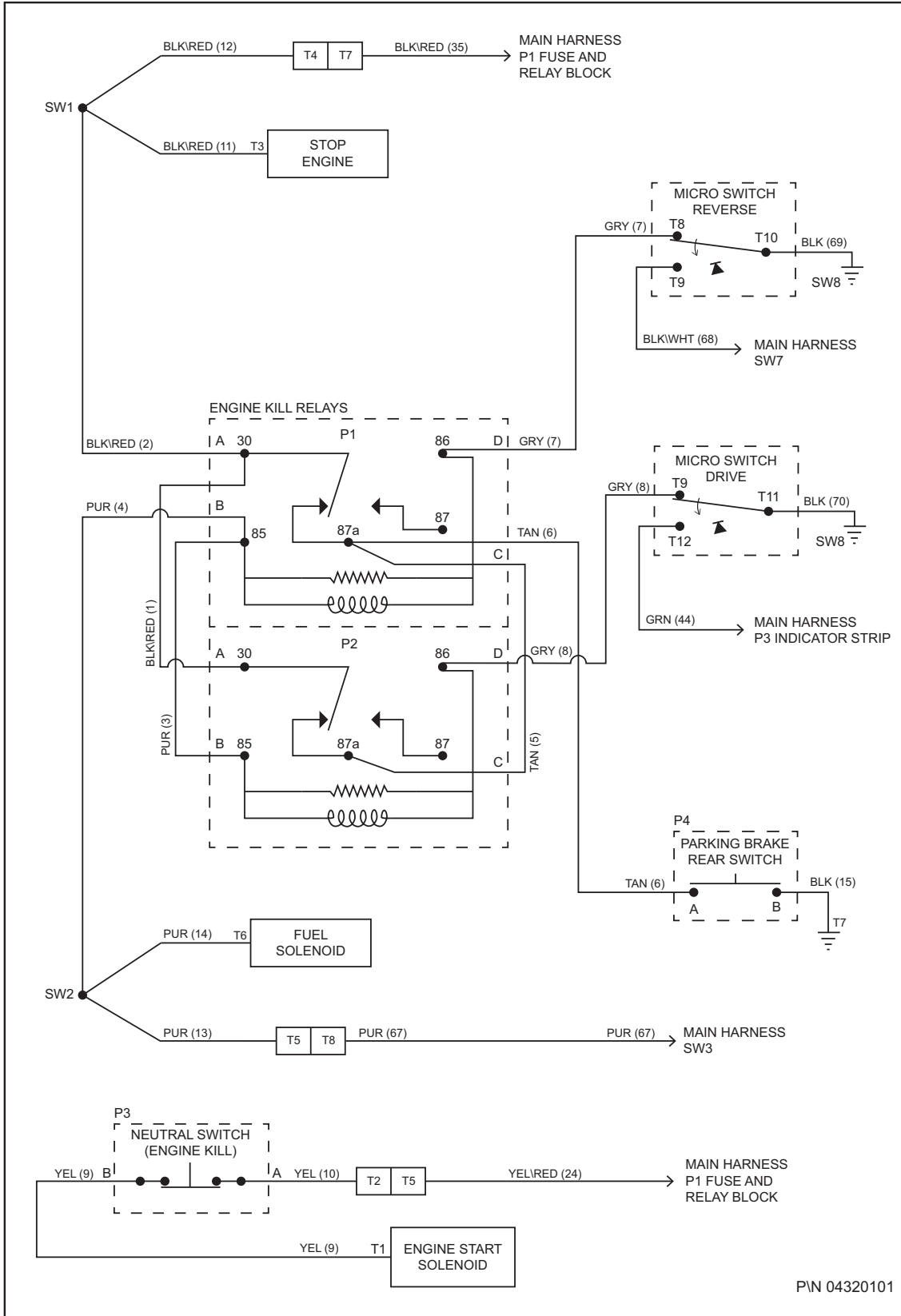
Model 996123, 125, 146, 147



P/N 04320100

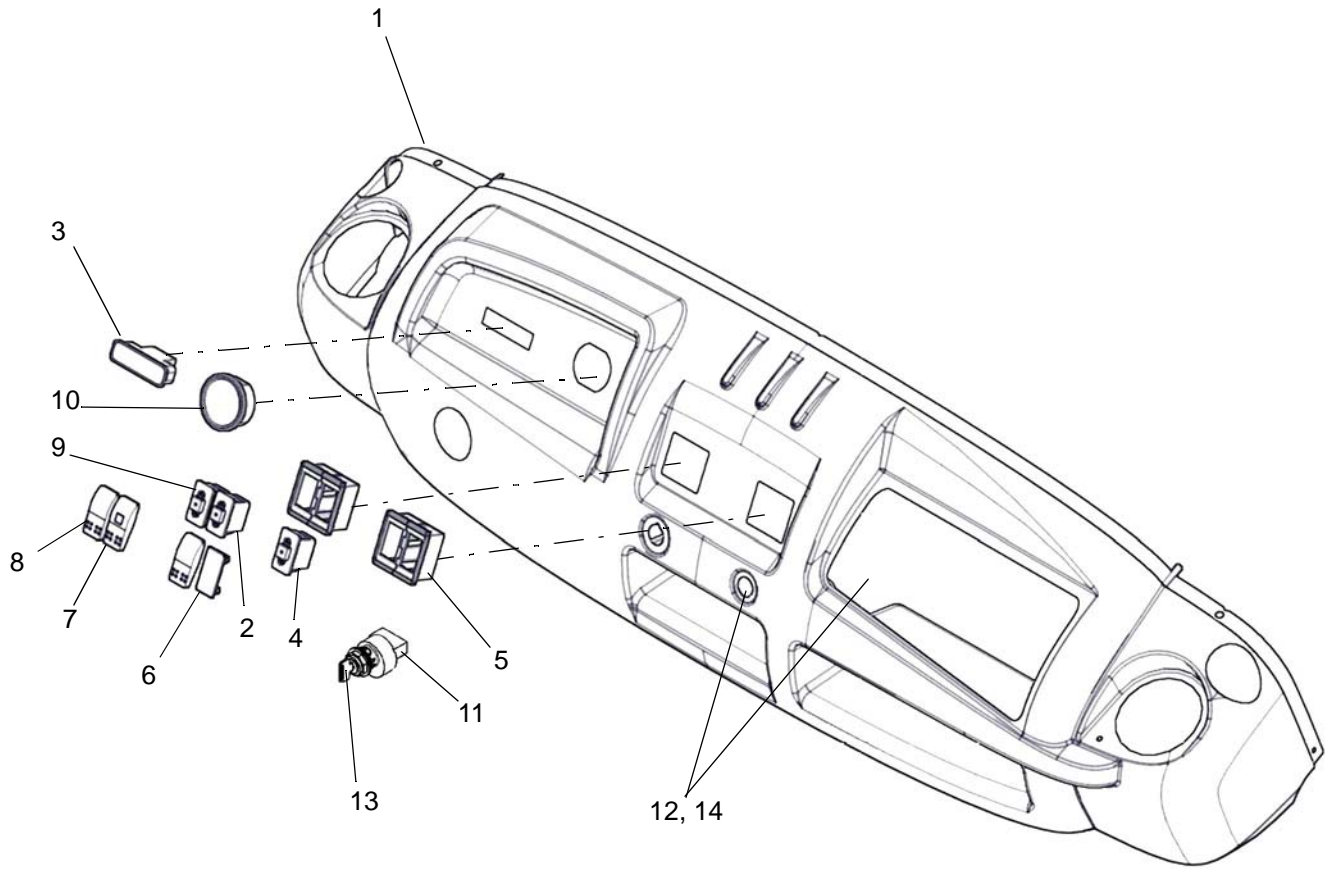
# WIRING DIAGRAM – SUB ENGINE KILL 101

Model 996123, 125, 146, 147



# INSTRUMENT PANEL

Model 996123, 125, 146, 147



# INSTRUMENT PANEL

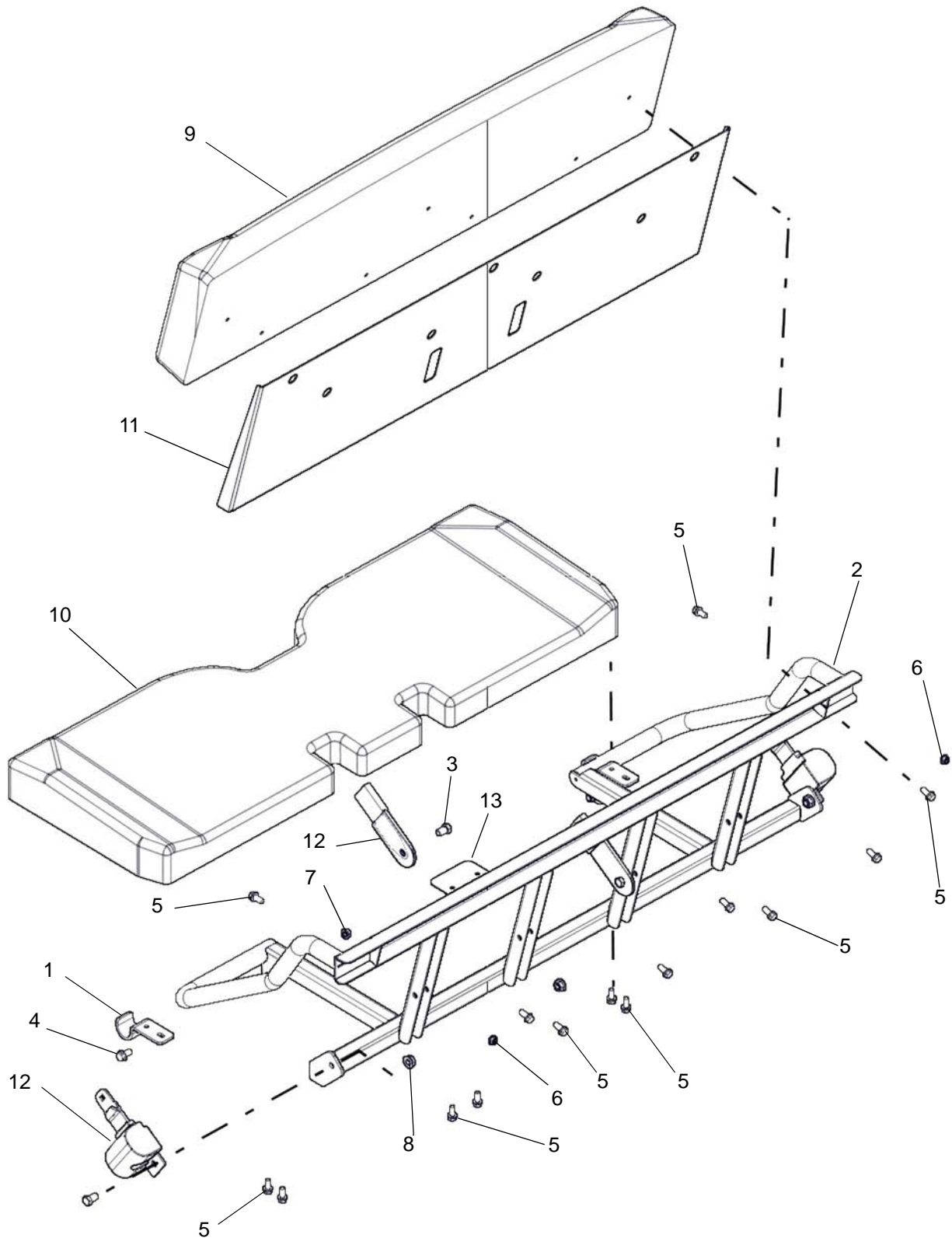
---

Model 996123, 125, 146, 147

Item	Part No.	Description
1	04351100	DASH PANEL
2	04322200	SWITCH, 4 X 4, LIGHTED (996146, 147)
3	04198500	INDICATOR LAMP, 6 LENS
4	T833-254C	DUMP SWITCH WAYTEK 44304
5	T833-267C	SWITCH MOUNT END
6	T833-268C	PANEL PLUG
7	04322300	ACTUATOR SWITCH, 4 X 4 (996146, 147)
8	T833-271C	SWITCH, ACTUATOR
9	04322500	SWITCH, HEADLIGHT
10	04053800	FUEL GAGE, HOUR METER
11	T833-336C	IGNITION SWITCH WITH 2 KEYS (6PIN)
12	04345600	POWER OUTLET, 12 VOLT
13	T833-342C	KEY WITH SHIELD (RP FOR T833-336C)
14	04345610	CAP, 12V OUTLET

# BENCH SEAT

Model 996123, 125, 146, 147



# BENCH SEAT

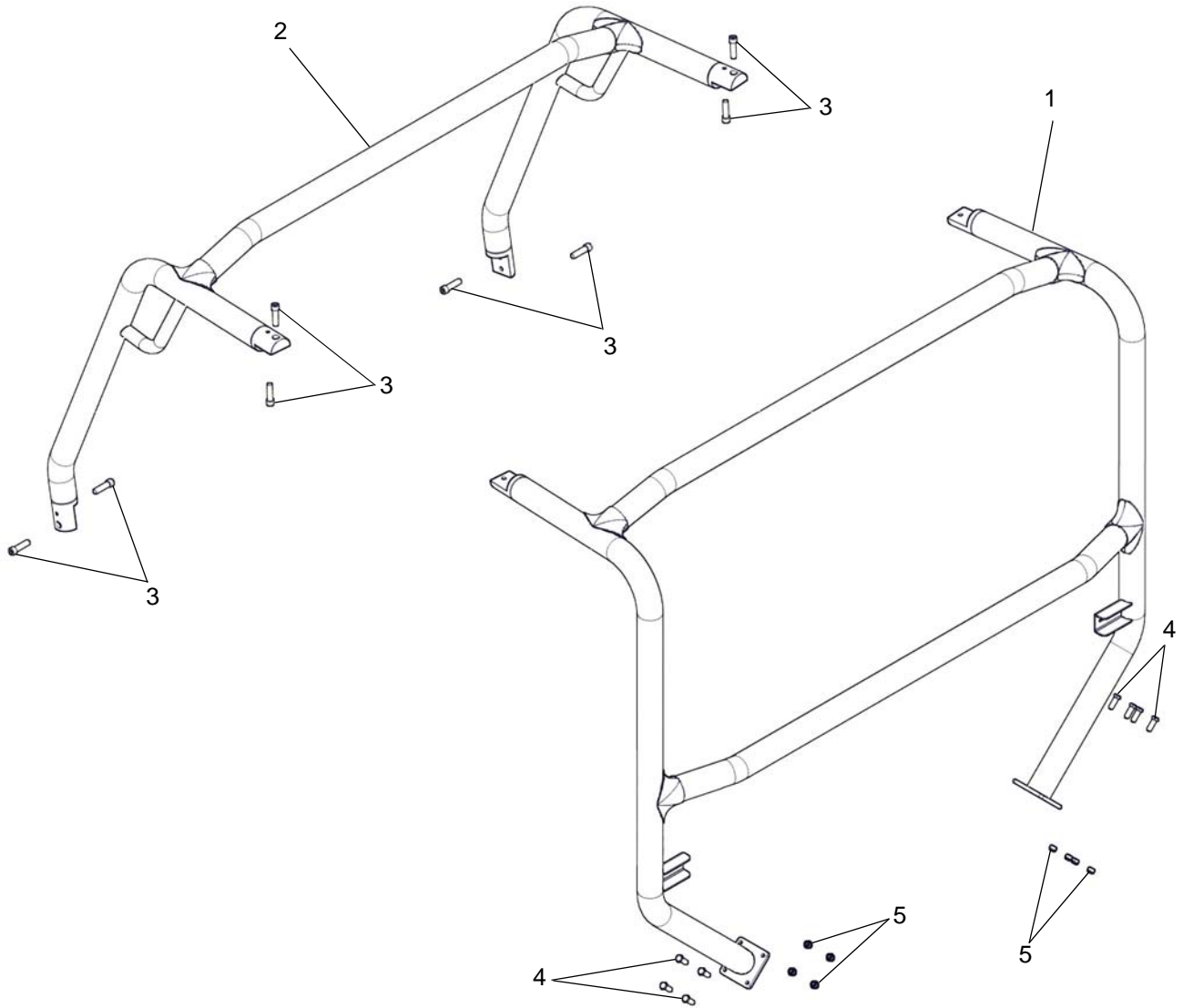
---

Model 996123, 125, 146, 147

Item	Part No.	Description
1	T700-389D	SEAT PIVOT PLATE
2	04054351	BENCH SEAT WELDMENT
3	05958700	BOLT, HEX .44-14 X 1.00 GR5 YWZC
4	802-185C	HFSS 3/8-16 X 3/4 LG
5	07049600	BOLT, SERRATED HEX FLANGE WASHER HEAD .312-18 x .75
6	06543100	NUT, LOCKING TOP FLANGE .312-18 YWZC
7	06542000	NUT, HEX TOP FLANGE LOCK .38-16 PLT YWZC
8	06501900	NUT, LOCKING TOP .437-14 GRC PL
9	04313400	BENCH SEAT BACK
10	04265200	BENCH SEAT BOTTOM
11	04214851	SEAT BACK PANEL
12	00181572	ASSEMBLY, SEATBELT
13	04247151	SEAT BOTTOM PLATE

# ROPS

Model 996123, 125, 146, 147





# ROPS

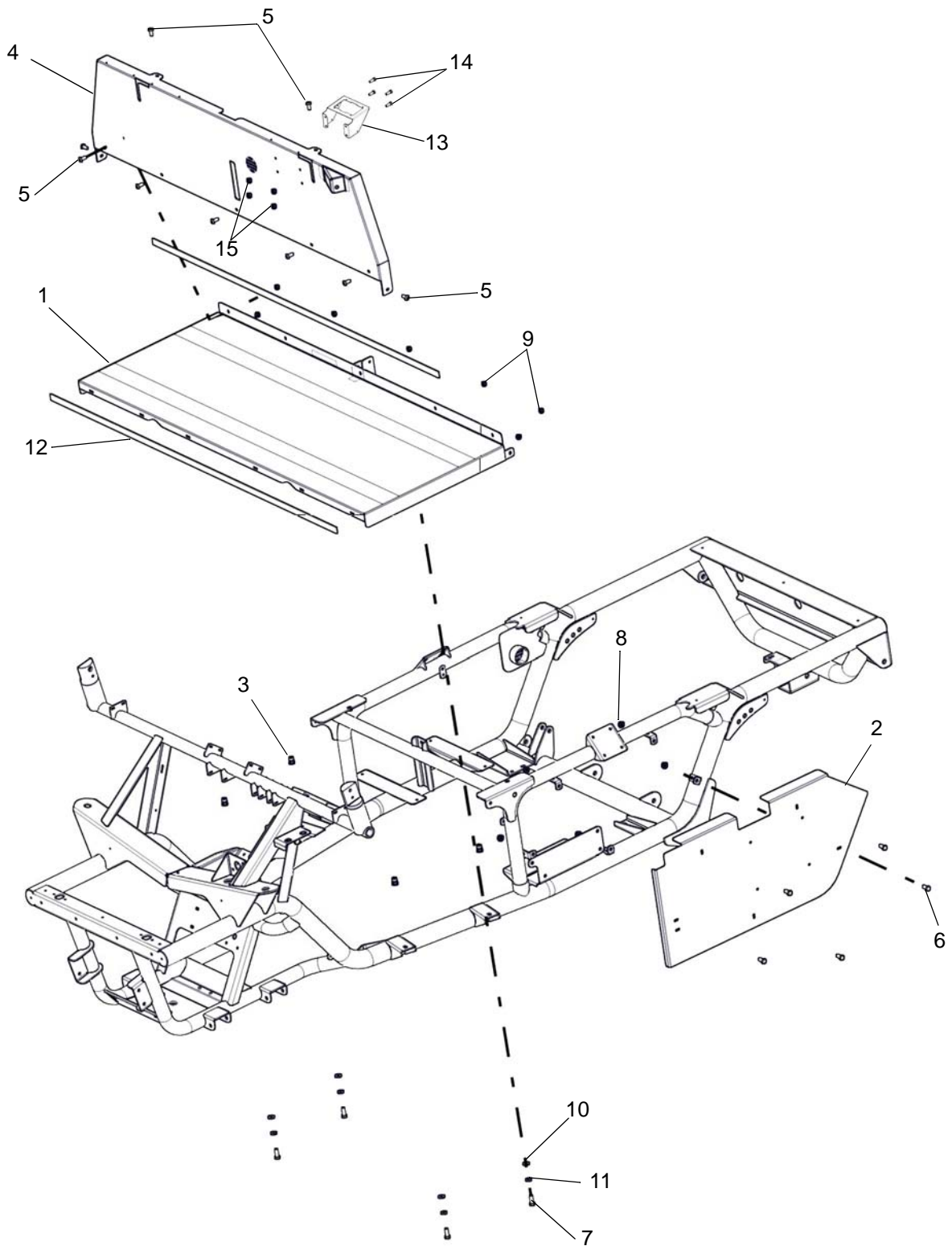
---

## Model 996123, 125, 146, 147

Item	Part No.	Description
1	04213851	ROPS WELDMENT, TREKER REAR
2	04213751	ROPS WELDMENT, TREKER FRONT
3	T802-480C	HSHCS 3/8-16 X 1 1/2 GR5 (Apply Loc-Tite®)
4	05946900	BOLT, HEX 5/16-18 X 1 GR5 (Apply Loc-Tite®)
5	06530200	NUT, NYLON LOCK 5/16-18 YWZC

# FLOOR PANEL AND SHIELDS

Model 996123, 125, 146, 147



# FLOOR PANEL AND SHIELDS

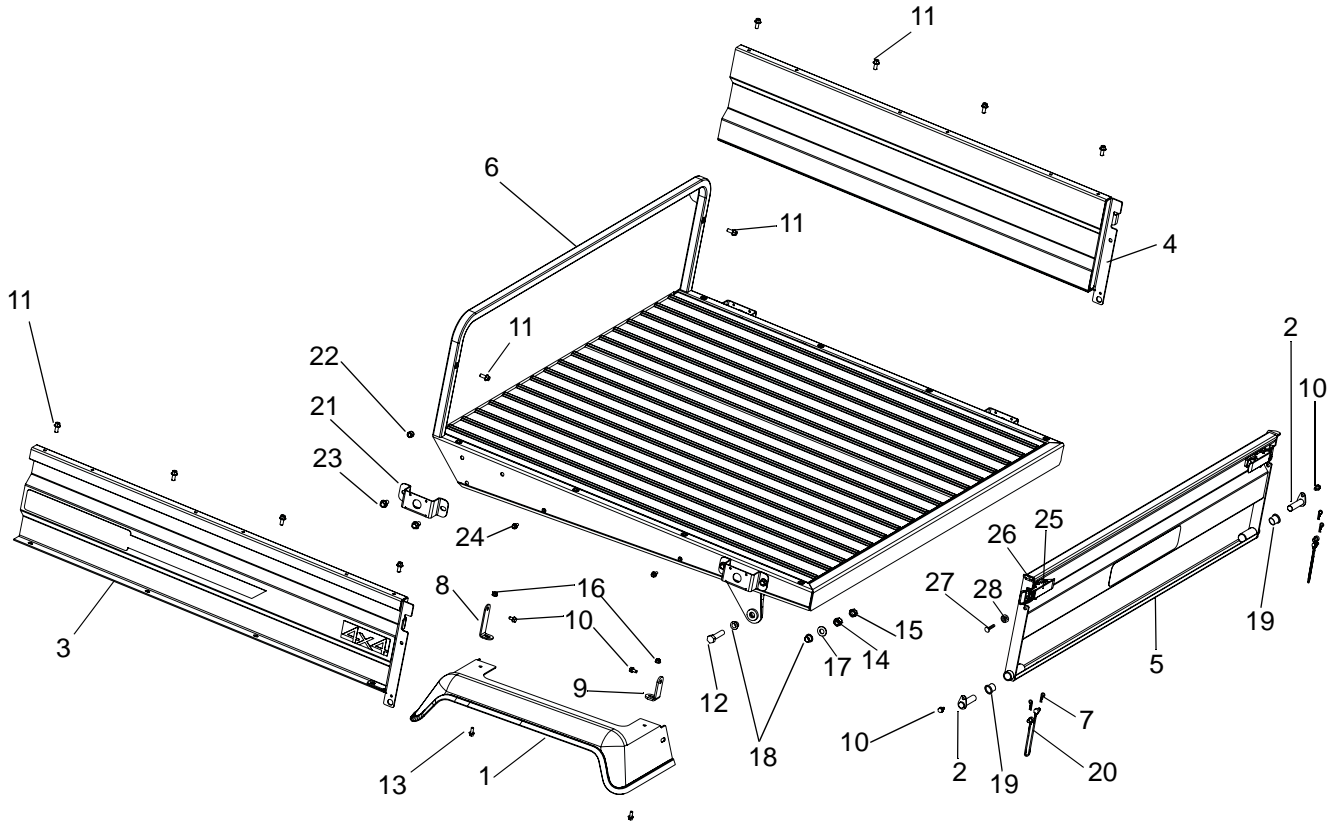
---

## Model 996123, 125, 146, 147

Item	Part No.	Description
1	04259651	FLOOR WIDE WELDMENT
2	T700-145D	SIDE PANEL, WIDE
3	06500638	NUTZERT, 5/16-18 X .667 HEX
4	04268351	KICK PANEL WLDMNT
5	06114400	SCREW, MACHINE .25-20 X .75 TXTR YWZC
6	05947000	BOLT, HEX 5/16-18 X 3/4 GR5 YWZC
7	05946900	BOLT, HEX 5/16-18 X 1 GR5 YWZC
8	06543100	NUT, HEX TOP LOCK FLANGE .312-18YWZC
9	06543500	NUT, LOCKING TOP FLANGE 1/4-20 YWZC
10	T804-084C	WASHER, FLAT 5/16 HARDENED ASTM F436
11	06308600	WASHER, LOCK SPRING 5/16 YWZC
12	T990-227R	FOAM RUBBER 3/16 X 3/4 THK WITH PSA 52.5" Lg.
13	04451051	BRACKET, MODULE EPA FUSE/RELAY
14	T801-180C	TTHMS 1/4-20 X 3/4 YWZC
15	T803-293C	NUT, HEX FLANGE TL 1/4-20 YWZC
16	00181143	CABLE, CHOKE (Not Shown)

# DUMP BED

Model 996123, 125, 146, 147



# DUMP BED

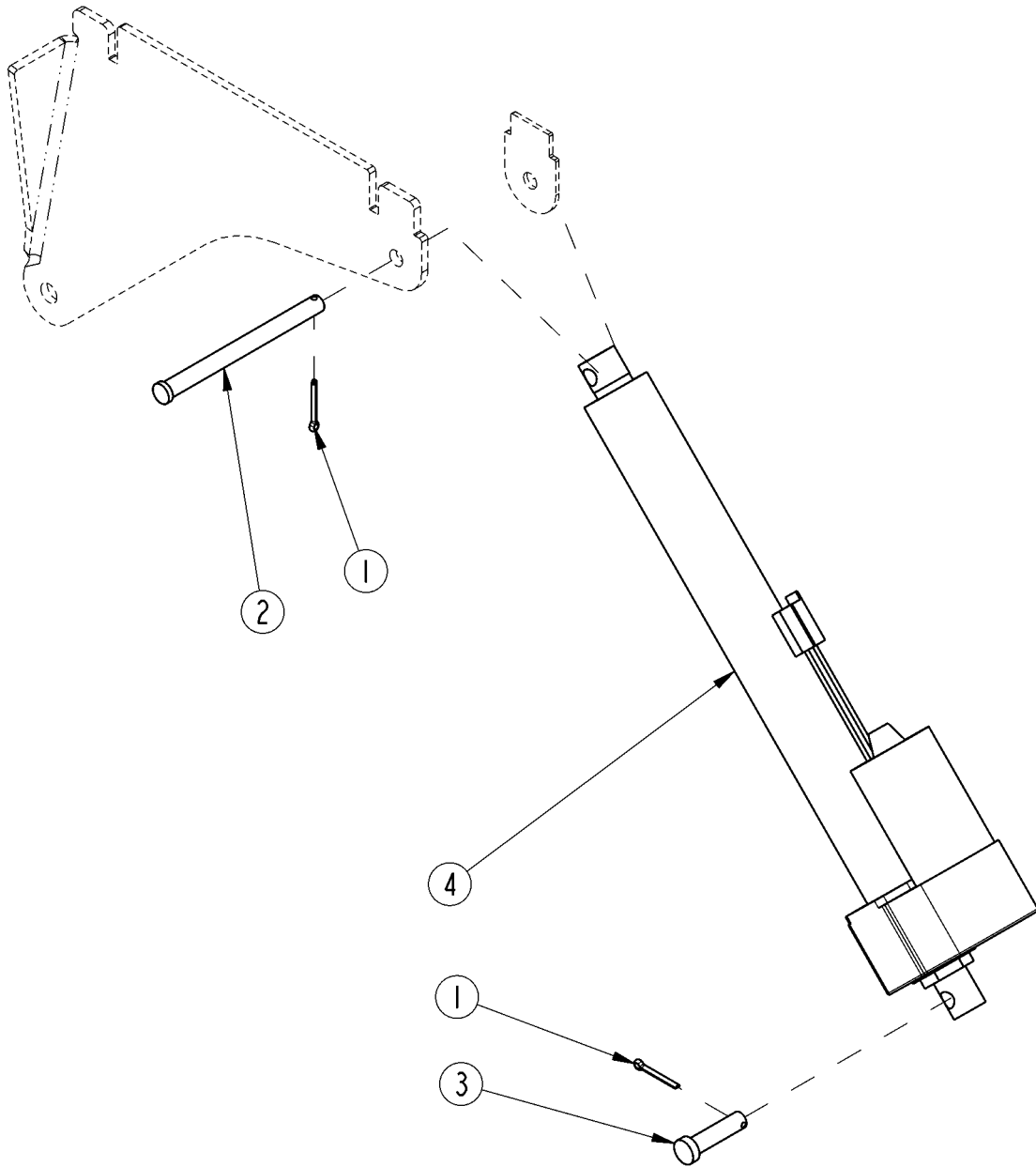
---

## Model 996123, 125, 146, 147

Item	Part No.	Description
1	T840-122C	FENDER BLACK UNIVERSAL TRUCK
2	T700-461H	WELDMENT, TAILGATE PIVOT
3	50528011	KIT, LEFT HAND BED SIDE 4 X 2 Includes Decals (996123, 125)
	50528001	KIT, LEFT HAND BED SIDE Includes Decals (996146)
	50528008	KIT, LEFT HAND BED SIDE CAMO Includes Camo Panel & Decals (996147)
4	50528012	KIT, RIGHT HAND BED SIDE 4 X 2 Includes Decals (996123, 125)
	50528002	KIT, RIGHT HAND BED SIDE Includes Decals (996146)
	50528009	KIT, RIGHT HAND BED SIDE CAMO Includes Camo Panel & Decals (996147)
5	50528003	KIT, TAILGATE Includes Decals, Latch & Bushings (996123, 125, 146)
	50528010	KIT, TAILGATE Includes Decals, Latch & Bushings (996147)
6	04419051	BED BASE SUB-ASSEMBLY, BLACK
7	06713500	PIN, HAIR INTERNAL .08 X .18 X 1.18
8	T700-588D	BRACKET, FENDER MOUNT FRONT
9	T700-590D	BRACKET, FENDER MOUNT REAR
10	07430103	SCREW HEX SELF-TAP 1/4-20 X 1/2
11	07049600	BOLT, SERHFWH .312-18 X .75 YWZC
12	T802-797C	HFS 1/2-13 X 2 1/4 GR5 PLT
13	07051300	BOLT, SERHFWH .312-18 X .75 YWZC
14	06536300	NUT, LOCK CENTER .50-13 YWZC
15	06529300	NUT, JAM .50-13 GR5
16	06543500	NUT, LOCKING TOP FLANGE .25-20 YWZC
17	06441900	WASHER, FLAT STEEL .531 X 1.06 X .095 YWZC
18	T817-559C	BUSHING, 1/2ID X 5/8OD X 1/2 FLANGE
19	T817-616C	BUSHING, .75D X .625ID X 1.5L WITH FLG
20	04225300	TAILGATE CABLE
21	04397500	BRACKET, TREKER, STAKE POCKET
22	06535800	NUT, LOCKING NYLON .38-16 YWZC
23	07028500	BOLT, SERRATED HEX FLANGE WASHER HEAD .38-16 X .75
24	07051300	BOLT, SCREW HEX FLANGED WHIZ LOCK HEAD .25-20 X .62
25	04215500	LATCH, TAILGATE
26	04146751	SPACER, LATCH
27	06200201	BOLT-ROUND HEAD SQUARE NECK 10-24X.75 GRADE 5 Y
28	06536000	NUT-LOCKING-NYLON 10-24 with Insert

# DUMP BED LIFT

Model 996123, 125, 146, 147



# DUMP BED LIFT

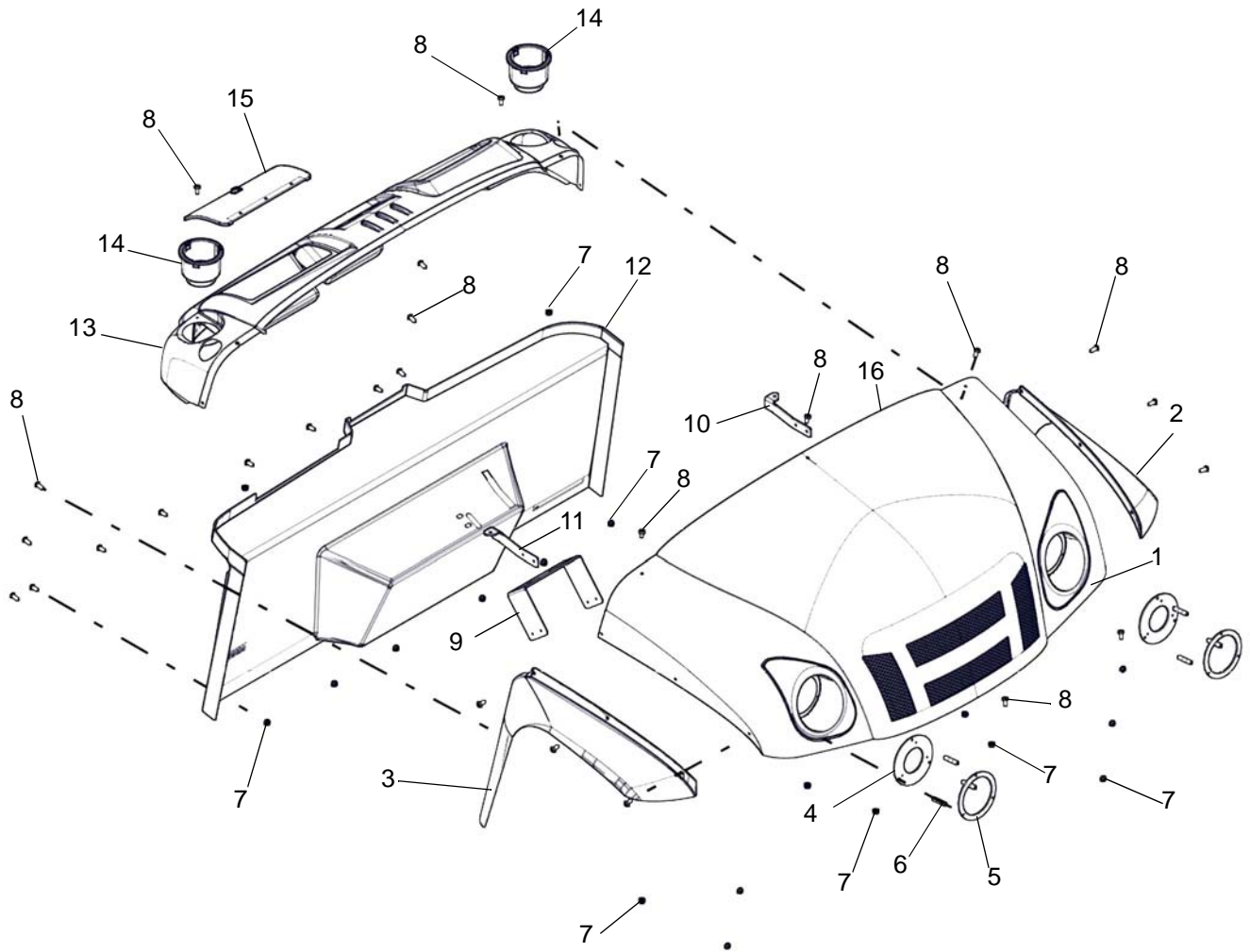
---

Model 996123, 125, 146, 147

Item	Part No.	Description
1	00967354	RING, RUE .500 X .062 X 1.420
2	06822700	PIN, CLEVIS 1/2 X 5.76
3	06822200	PIN, CLEVIS .50 X 2.00 X 1.71 YWZC
4	04538500	ELECT. LINEAR ACTUATOR 12" STRK

# HOOD ASSEMBLY

Model 996123, 125, 146, 147





# HOOD ASSEMBLY

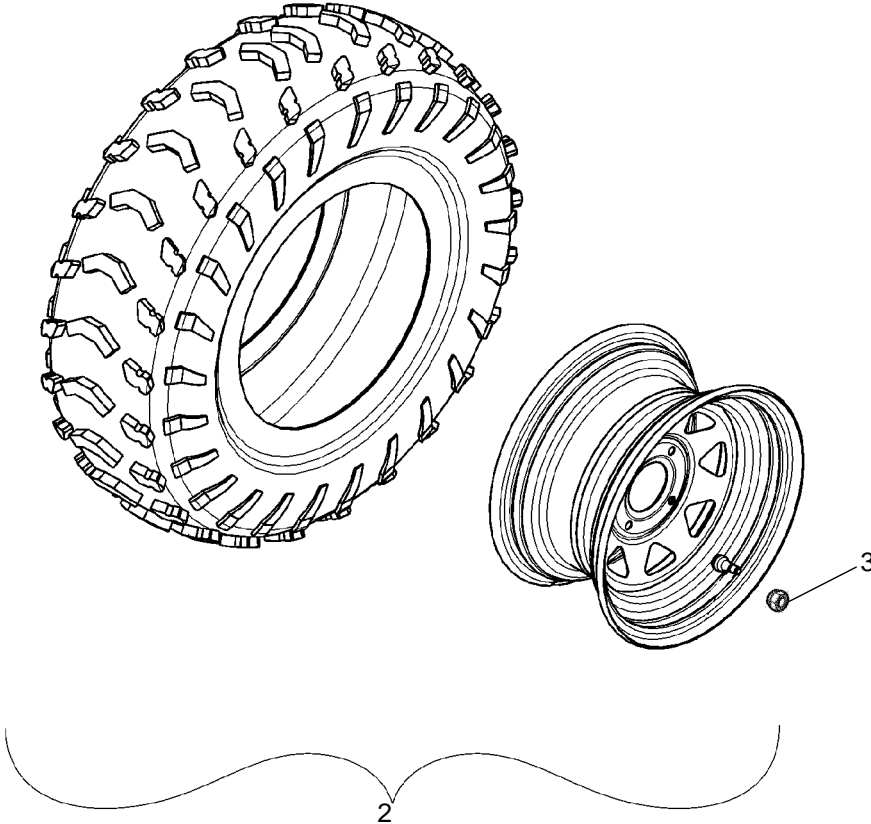
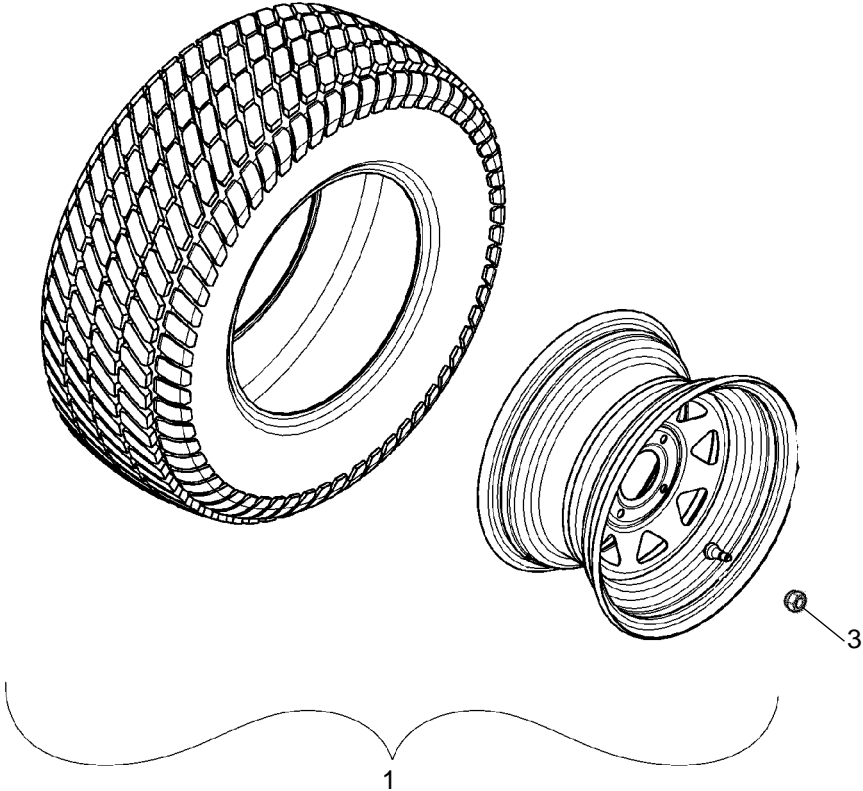
---

Model 996123, 125, 146, 147

Item	Part No.	Description
1	50528000	KIT, HOOD WITH DECALS (996123, 125, 146)
	50528007	KIT, CAMO HOOD WITH DECALS (996147)
2	04075002	FENDER, FRONT, LEFT HAND
3	04075003	FENDER, FRONT, RIGHT HAND
4	04266651	TOP FLANGE, HEADLIGHT
5	04266551	BASE FLANGE, HEADLIGHT
6	04266751	SPACER, HEADLIGHT
7	T803-293C	NUT, HEX FLANGE TL 1/4-20 ZNYCR
8	T801-181C	TTHMS 1/4-20 X 1 ZNYCR
9	04182851	BRACKET, MOUNTING SWITCH
10	04183351	BRACKET, CUPHOLDER, LEFT HAND
11	04182751	BRACKET, CUPHOLDER, RIGHT HAND
12	50528005	KIT, FOOTWELL WITH DECALS
13	50528013	DASH ASSEMBLY WITH DECALS
14	04192700	CUP, HOLDER SNAP-IN 3.75 OD
15	04280000	DOOR, GLOVEBOX ASSEMBLY
16	T816-318C	TRIM, 1/8 RUBBER EDGE

# FRONT TIRES

Model 996123, 125, 146, 147



# FRONT TIRES

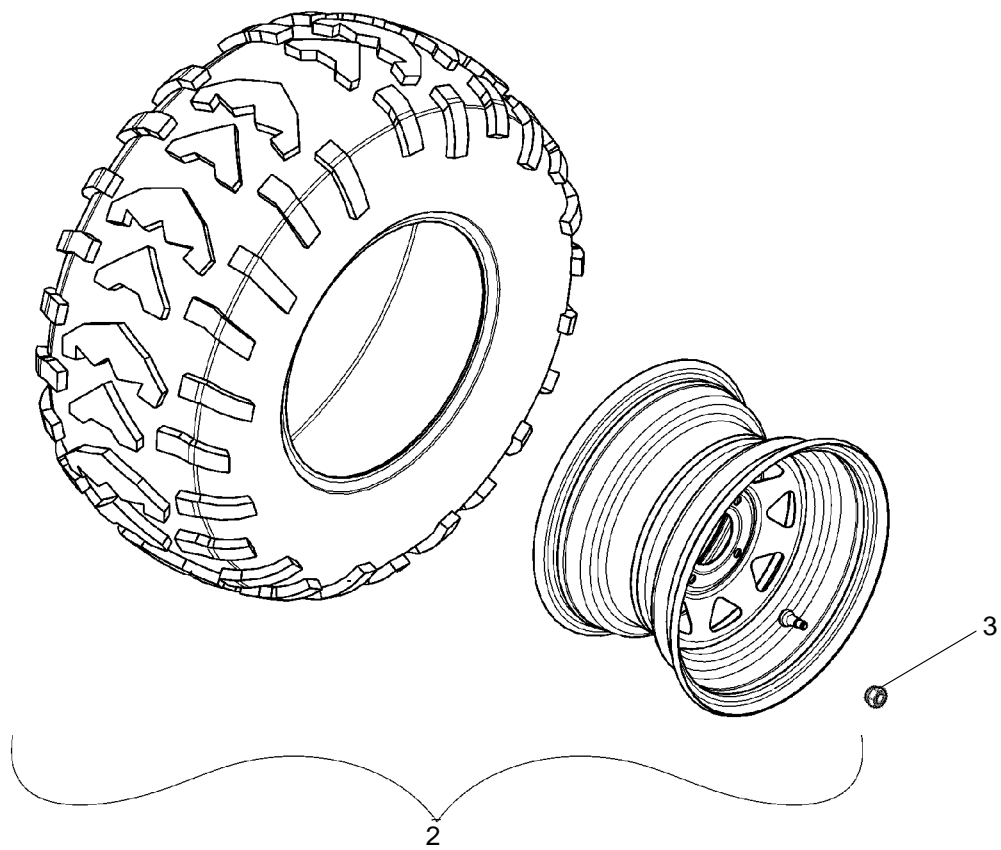
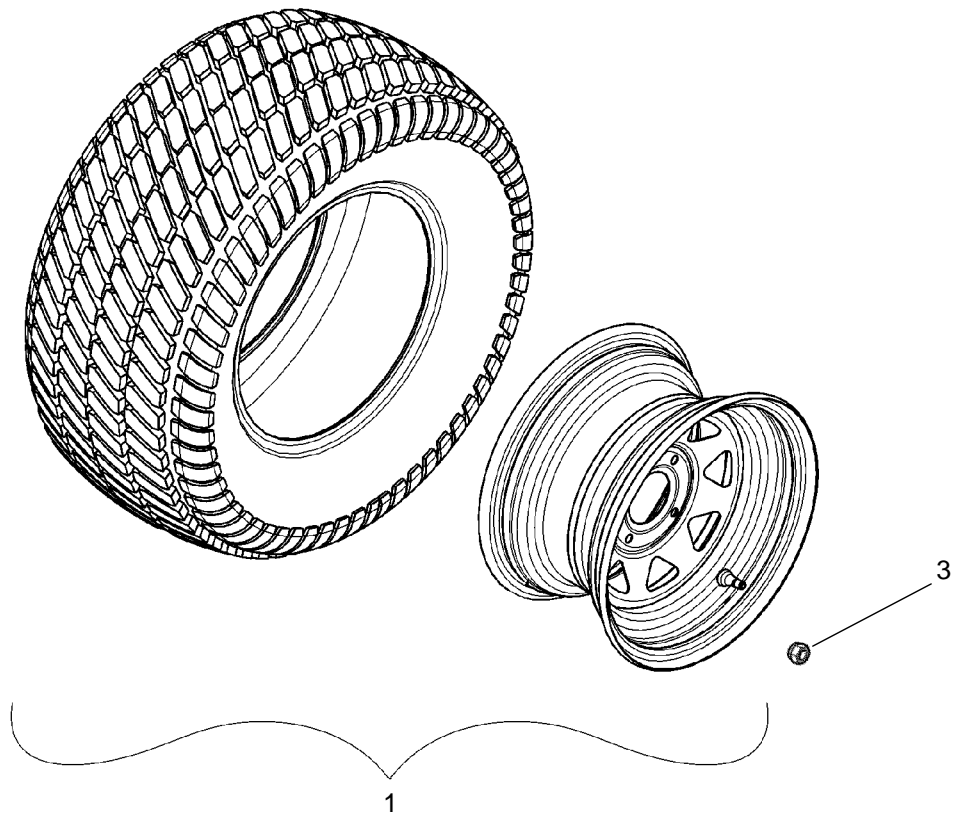
---

**Model 996123, 125, 146, 147**

<b>Item</b>	<b>Part No.</b>	<b>Description</b>
1	07100817	TIRE/WHEEL ASSEMBLY TREKER TURF FRONT (996125)
2	03960100	AT TIRE/RIM, BLACK RIGHT FRONT (996123, 146, 147)
	03960200	AT TIRE/RIM, BLACK LEFT FRONT (996123, 146, 147)
3	06553000	WHEEL NUT .500-20 YZ

# REAR TIRES

Model 996123, 125, 146, 147



# REAR TIRES

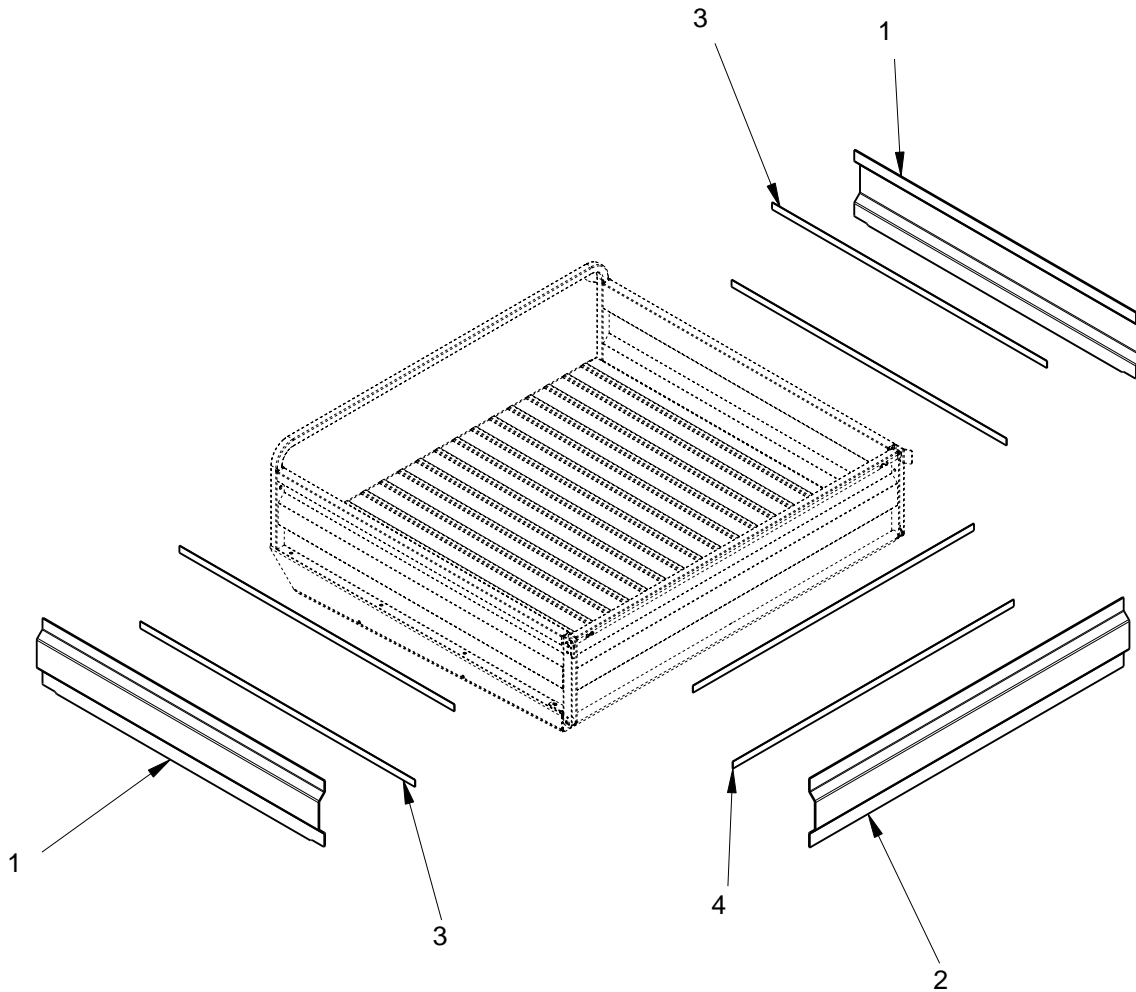
---

**Model 996123, 125, 146, 147**

<b>Item</b>	<b>Part No.</b>	<b>Description</b>
1	07100817	TIRE/WHEEL ASSEMBLY, TREKER TURF FRONT (996125)
2	03959700	AT TIRE/RIM BLACK RIGHT REAR (996123, 146, 147)
	03959800	AT TIRE/RIM BLACK LEFT REAR (996123, 146, 147)
3	06553000	WHEEL NUT .500-20 YZ

# PANELS – CAMO

Model 996144



Item	Part No.	Description
1	T840-319	PANEL, ST CAMO SIDE
2	04325400	PANEL, TAILGATE PANEL
3	04069300	TAPE, DOUBLE-SIDED 6 in.
4	04069400	TAPE, DOUBLE-SIDED 3 in.





GRAVELY  
655 West Ryan Street  
Brillion, WI 54110  
Phone 920-756-4688  
Fax 920-756-2407  
[www.gravelly.com](http://www.gravelly.com)

An *Ariens* Company Brand