



ZT HD

Parts Manual



Models

991090 – ZT 44 HD

(SN 020000 +)

991082 – ZT 48 HD

(SN 020000 +)

991083 – ZT 52 HD

(SN 020000 +)

991084 – ZT 60 HD

(SN 020000 +)

991091 – ZT 60 HD

(SN 020000 +)

991098 – ZT 44 HD CARB

(SN 020000 +)

991099 – ZT 48 HD CARB

(SN 020000 +)

991100 – ZT 52 HD CARB

(SN 020000 +)

991101 – ZT 60 HD CARB

(SN 020000 +)



The use of any gasoline exceeding 10% ethanol (E10) or 10% MTBE will void the product warranty.
L'utilisation d'une essence contenant plus de 10% d'éthanol (E10) ou de 10% de MTBE annulent la garantie.

El uso de cualquier otro tipo de gasolina con un porcentaje superior al 10% de etanol (E10) o al 10% de MTBE invalidará la garantía del producto.

THE MANUAL

Before you operate your unit, carefully and completely read manuals supplied with the unit. The contents will provide you with an understanding of safety instructions and controls during normal operation and maintenance.

For your safety and the safety of others always read, understand, and follow all DANGER, WARNING, and CAUTION messages found in manuals and on safety decals.

Hardware descriptions are given in decimals.

Decimals to Fractions			
.063	1/16	.563	9/16
.125	1/8	.625	5/8
.188	3/16	.688	11/16
.250	1/4	.750	3/4
.313	5/16	.813	13/16
.375	3/8	.875	7/8
.438	7/16	.938	15/16
.500	1/2	1.00	1

SERVICE AND REPLACEMENT PARTS

When ordering replacement parts or making service inquiries, know the Model and Serial numbers of your unit and engine.

Numbers are located on the product registration card in the unit literature package. They are printed on a serial number label, located on the frame of your unit.

- Record unit model and serial numbers here:

- Record engine model and serial numbers here:

UNAUTHORIZED REPLACEMENT PARTS

Use only Gravelly replacement parts. The replacement of any part on this vehicle with anything other than a Gravelly authorized replacement part may adversely affect the performance, durability, or safety of this unit and may void the warranty. Gravelly disclaims liability for any claims or damages, whether warranty, property damage, personal injury or death arising out of the use of unauthorized replacement parts.

PRODUCT REGISTRATION

The Gravelly dealer must register the product at the time of purchase. Registering the product will help the company process warranty claims or contact you with the latest service information. All claims meeting requirements during the limited warranty period will be honored, whether or not the product registration card is returned. Keep a proof of purchase if you do not register your unit.

Customer Note: If Dealer does not register your product, please fill out, sign and return the product registration card to Gravelly or go to www.gravelly.com

YOUR SATISFACTION IS IMPORTANT

Questions? Please follow these helpful steps:

1. Refer to the manuals supplied with your unit.
They will guide you through safe and proper operation and maintenance.
They contain specifications on your unit.
If your questions are not answered in these manuals, go to step number two.
2. Contact your Dealer.
Our dealers will be happy to supply any service or advice required to keep your unit operating at peak efficiency.
A factory trained staff is available to support your equipment needs. They stock genuine Gravelly parts and lubricants manufactured with the same precision and skill as the original.
If your questions are not resolved by the support staff, ask for the manager or owner.
When contacting your Dealer supply your model and serial numbers.

TO SPEED PARTS ORDERING:

1. Know the model and serial numbers of your unit.
2. Know the part number required.
3. Know the quantity required.
4. Know the part description.

MODELS

Model 991090

Kawasaki with 44-Inch Mower Deck
Serial No. 020000 +

Model 991082

Kawasaki with 48-Inch Mower Deck
Serial No. 020000 +

Model 991083

Kawasaki with 52-Inch Mower Deck
Serial No. 020000 +

Model 991084

Kawasaki with 60-Inch Mower Deck
Serial No. 020000 +

Model 991091

Kohler with 60-Inch Mower Deck
Serial No. 020000 +

Model 991098 (CARB)

Kawasaki with 44-Inch Mower Deck
Serial No. 020000 +

Model 991099 (CARB)

Kawasaki with 48-Inch Mower Deck
Serial No. 020000 +

Model 991100 (CARB)

Kawasaki with 52-Inch Mower Deck
Serial No. 020000 +

Model 991101 (CARB)

Kawasaki with 60-Inch Mower Deck
Serial No. 020000 +

TABLE OF CONTENTS

DECALS

Decals – Safety	4
Decals – Style	5

MAIN FRAME

Frame	6
Seat	7

POWER PLANT

Engine and Clutch	8
Hydro Drive	9
Fuel Tanks and Hoses	10
Vapor Recovery Vent Lines	11
Vapor Recovery Vent Lines (CARB Models)	12

DRIVE TRAIN

Transmission	14
Hydro-Gear Hydrostatic Pump (Left Side)	16
Hydro-Gear Hydrostatic Pump (Right Side)	18
Wheels	20
Brakes and Linkage	22

HYDRAULICS

Mechanical Lift	24
-----------------------	----

OPERATOR CONTROLS

Steering Controls	26
-------------------------	----

ELECTRICAL

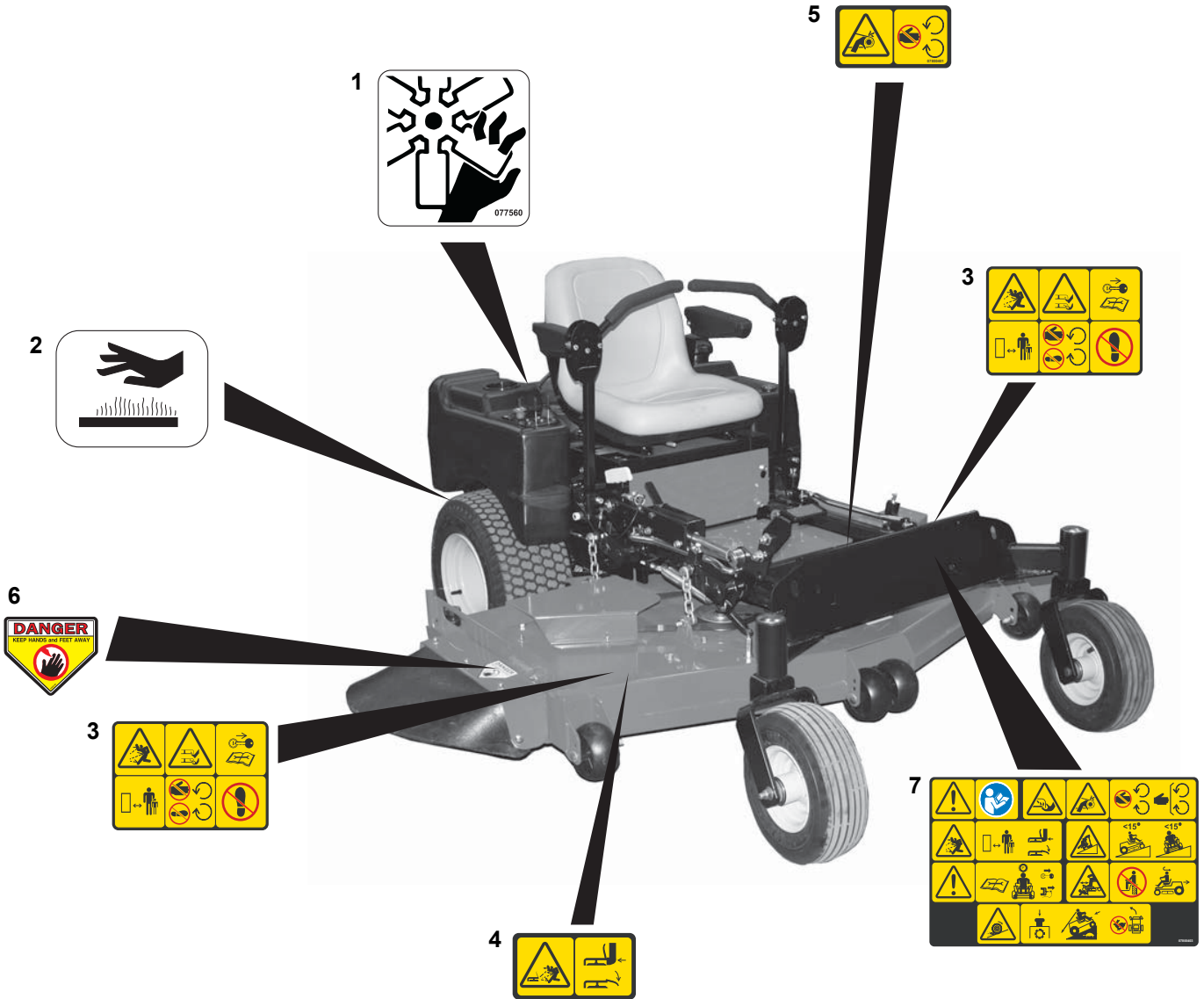
Continuity Diagram	28
Wiring Diagram	29
Electrical System	30

MOWER DECKS

Deck, Discharge Chute, Anti-Scalp Rollers, & Belt Covers	32
Mounting Chains	34
Mounting Arms	35
Belts, Spindles, Idlers and Mower Blades – 52" & 60"	36
Belts, Spindles, Idlers and Blades – 44" & 48"	38

DECALS – SAFETY

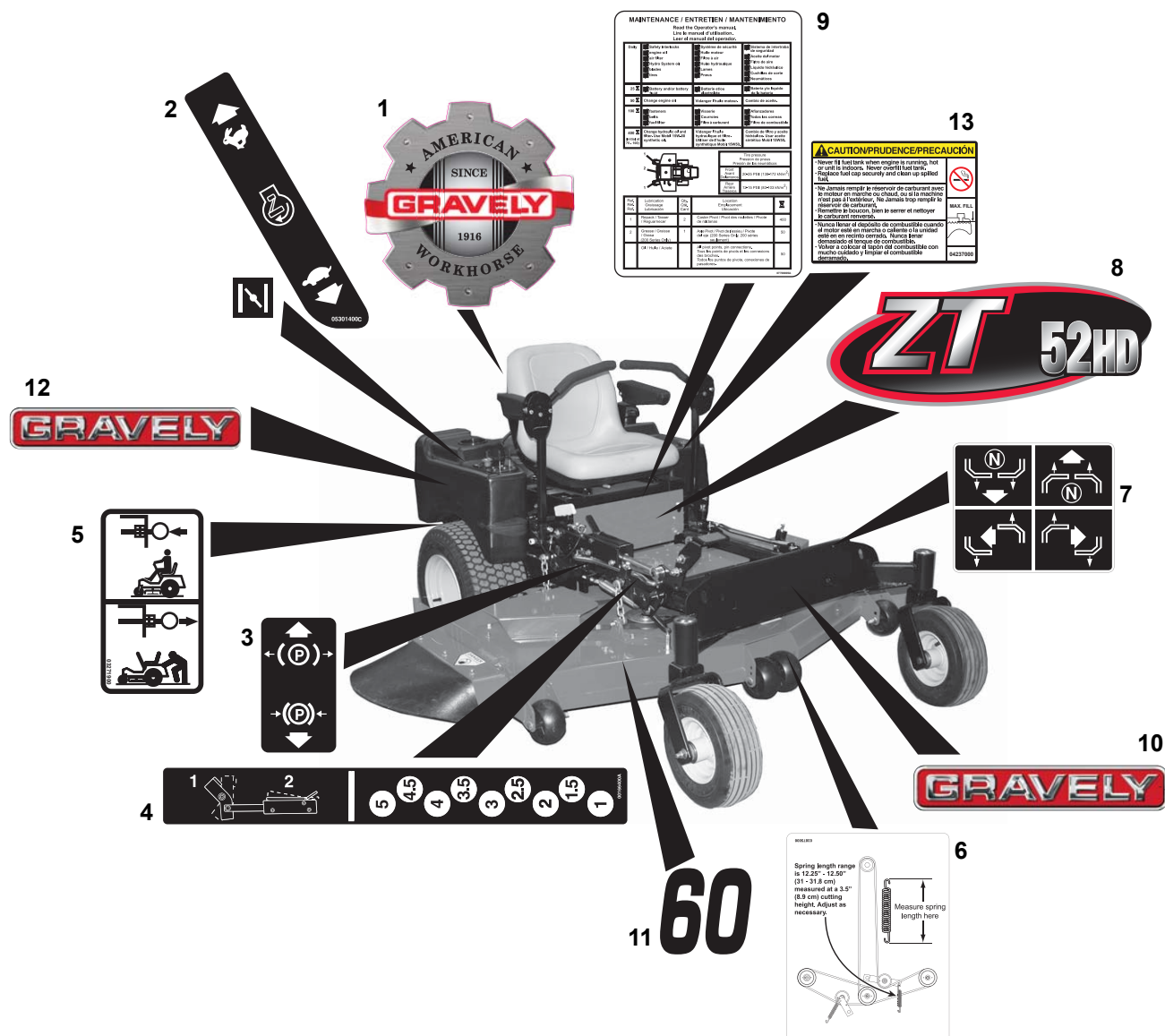
Models 991090, 091, 082, 083, 084, 098, 099, 100, 101



Item	Part No.	Qty.	Description
1	07756000	1	Decal, Danger Fan
2	07754100	2	Decal, Hot Surface
3	07800340	2	Decal, Mower Safety
4	07800402	1	Decal, Safety Deck, Guarding
5	07800401	1	Decal, Safety Guarding
6	02988100	1	Decal, Danger
7	07800403	1	Decal, Safety, Main

DECALS – STYLE

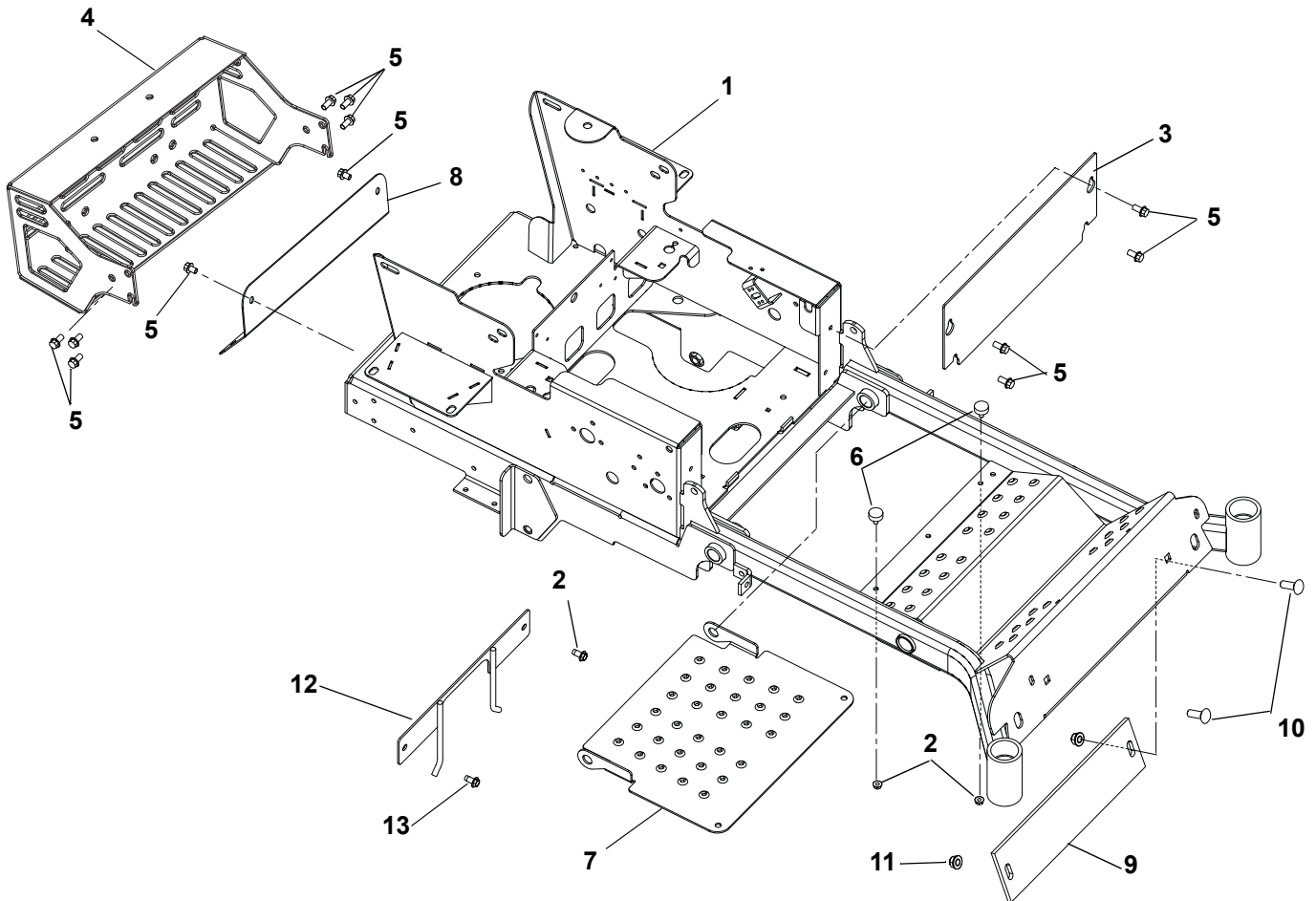
Models 991090, 091,082, 083, 084, 098, 099, 100, 101



Item	Part No.	Qty.	Description
1	08000507	1	Decal, Gravely Heritage Small
2	05301400	1	Decal, Control
3	07757500	1	Decal, Parking Brake Lever
4	00166400	1	Decal, Height of Cut
5	03271900	2	Decal, Transmission Disconnect
6	03875000	1	Decal, Belt Diagram
7	07757600	1	Decal, Instructional Steering
8	04286800	1	Decal, 44 HD (991090, 098)
	03995400	1	Decal, 48 HD (991082, 099)
	03995500	1	Decal, 52 HD (991083, 100)
	03995600	1	Decal, 60 HD (991084, 091, 101)
9	07700005	1	Decal, Maintenance Instructions
10	05240000	1	Decal, 15" Gravely Logo
11	03818400	1	Decal, 60" (991084, 091, 101)
	07800026	1	Decal, 52" (991083, 100)
	03891000	1	Decal, 48" (991082, 099)
	03992800	1	Decal, 44" (991090, 098)
12	07800338	2	Decal, Fuel Tank Gravely
13	04237000	1	Decal, Fuel Warning

FRAME

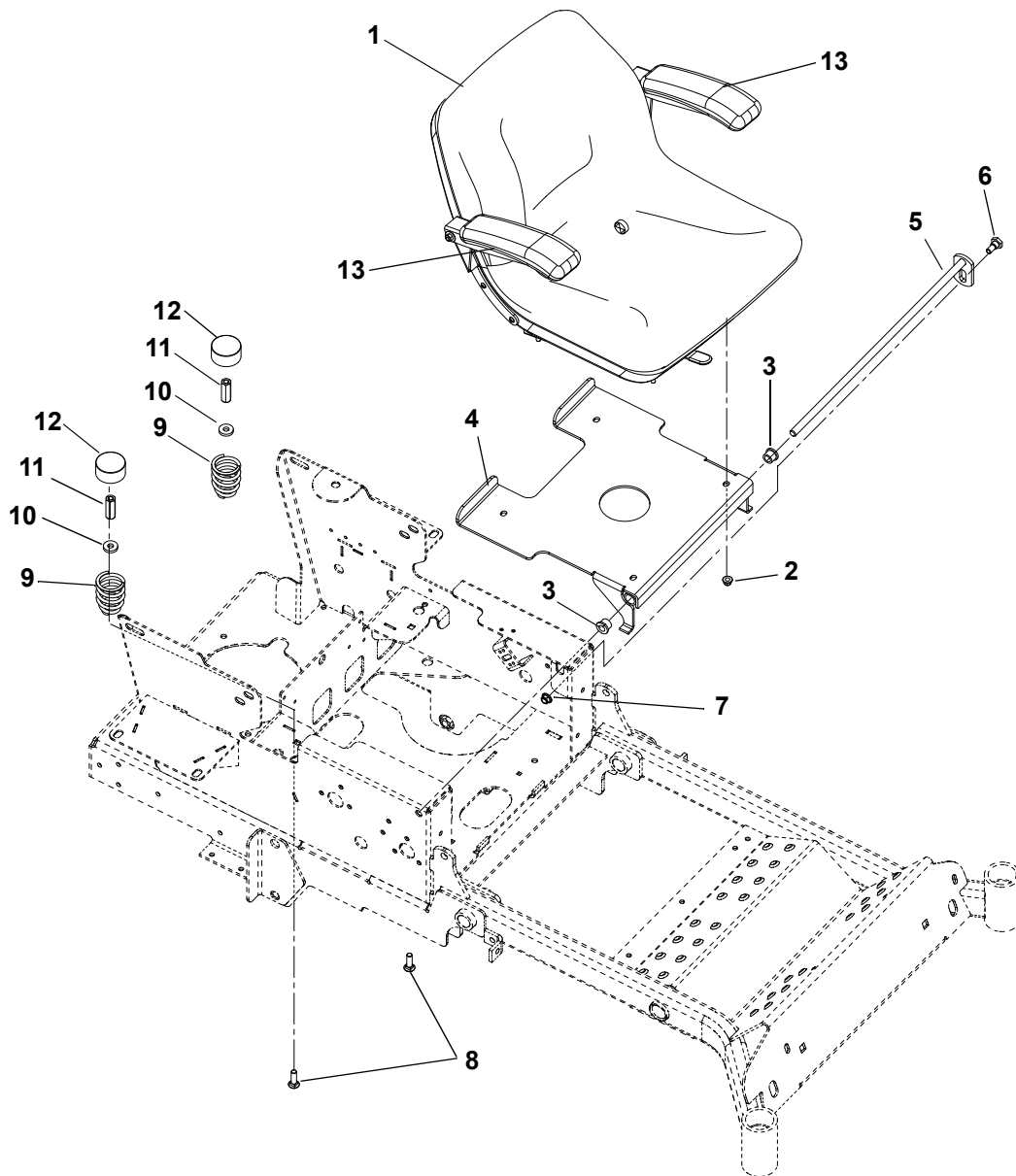
Models 991090, 091, 082, 083, 084, 098, 099, 100, 101



Item	Part No.	Qty.	Description
1	03975051	1	Weldment, 44" – 48" HD Frame (991090, 082, 098, 099)
	03974951	1	Weldment, 52" – 60" HD Frame (991083, 084, 091, 100, 101)
2	06530400	2	Nut, Spin Lock Flange .312-18
3	02989053	1	Kick Plate
4	03994551	1	Bumper, Gravely HD
5	07415400	12	Screw, Tapping .38-16 x .75 Hex Washer Head
6	07533600	2	Bumper, Rubber
7	00298953	1	Panel, Inspection
8	04672751	1	Bracket, Heat Shield — Muffler
9	01922851	3	Counterweight CZ Front (991090, 082, 098, 099) (Serial No. 020000 – 021999)
10	06200119	2	Bolt, Round Head Square Neck .50-13 x 2.25 Grade 5 (Serial No. 020000 – 021999)
11	06500010	2	Nut .50-13 Nyloc Flange (Serial No. 020000 – 021999)
12	04053651	1	Weldment, PTO Belt Finger
13	07415400	2	Screw, Tapping .38-16 x .75 Hex Washer Head Thread

SEAT

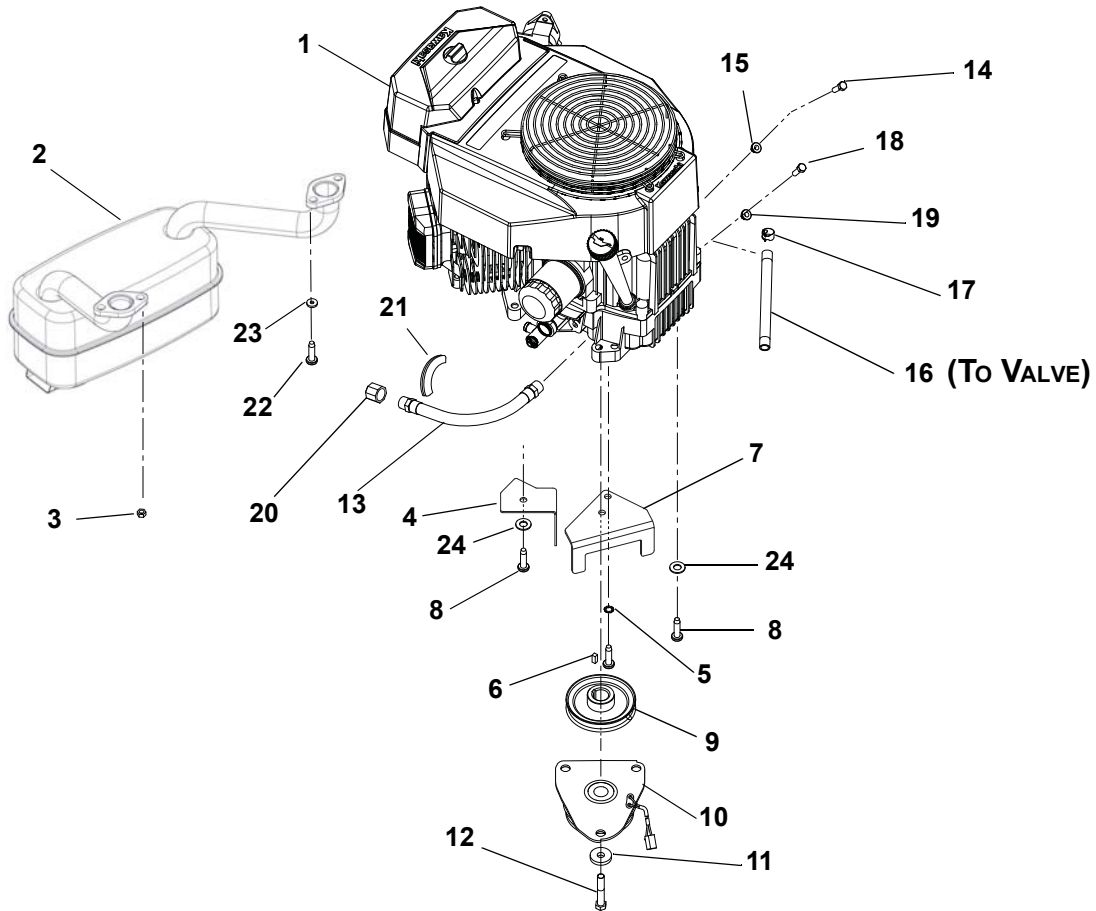
Models 991090, 091, 082, 083, 084, 098, 099, 100, 101



Item	Part No.	Qty.	Description
1	03829400	1	Assembly, Seat with Armrests
2	06545400	4	Nut, Nyloc Flange 5/16-18
3	05500901	2	Bushing, Flange .515 x .750 x .745 x 1.00
4	02982751	1	Weldment, Seat Plate
5	03255700	1	Weldment, Seat Shaft
6	07000034	2	Bolt, Shoulder EP .38-16 x .30 Hex
7	06534900	1	Nut, .38-16 Nyloc Flange
8	06224100	2	Bolt, Round Head Square Neck .38-16 x 1.25 Grade 5
9	08300021	2	Spring, Seat
10	06444000	2	Washer, Flat Steel .406 x 1.00 x .188
11	06533500	2	Nut, Coupling .375-16 x 1.75
12	00337700	2	Hub Cap
13	71600500	1	Kit, Seat Arm Rests

ENGINE AND CLUTCH

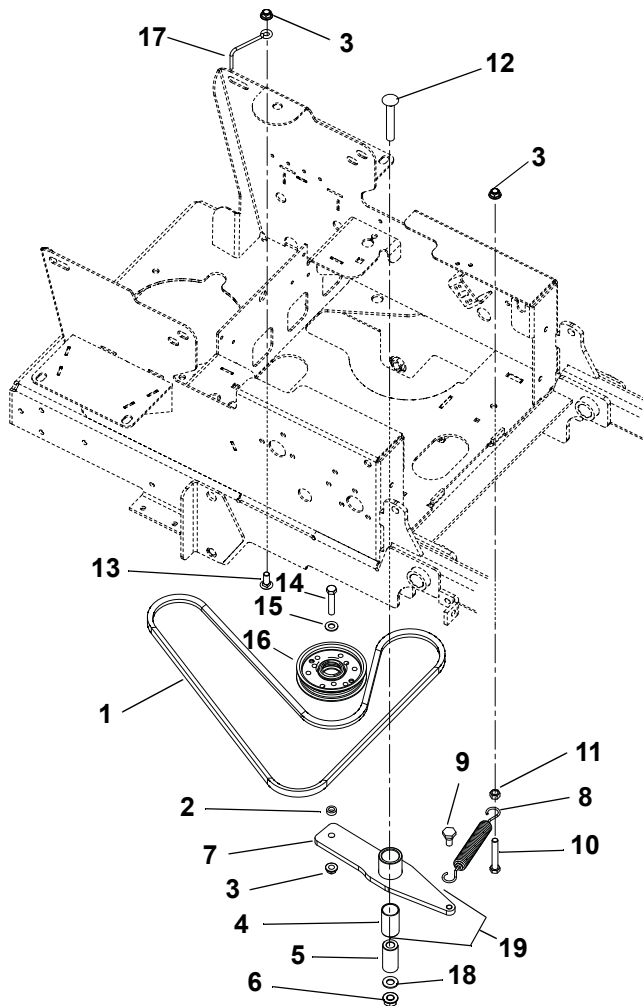
Models 991090, 091, 082, 083, 084, 098, 099, 100, 101



Item	Part No.	Qty.	Description
1	08200718	1	Engine, Kawasaki FR 730 (991082, 083, 084, 099, 100, 101)
	08200717	1	Engine, Kawasaki FR 691 (991090, 098)
	08200728	1	Engine, Kohler Courage Pro (991091)
2	04411300	1	Muffler, Kawasaki Engine (991082, 083, 084, 090, 098, 099, 100, 101)
	04411400	1	Muffler, Kohler (991091)
3	06500018	4	Nut, Locking Top M8-1.25 (991082, 083, 084, 090, 098, 099, 100, 101)
4	03772951	1	Guard, Clutch Wire
5	06308700	1	Washer, Locking, Extension .391 x .682 x .036
6	06602700	1	Key, Square .25 x .625 x .25 SAE 8630 OR SAE 1035
7	03766851	1	Anchor, Ogura Clutch
8	07000104	4	Bolt, Hex .38-16 x 1.50 PH TRX (991091)
	05901522	4	Bolt Hex .38-16 x 1.25 G5YZ NYTORQ (991082, 083, 084, 090, 098, 099, 100, 101)
9	07337167	1	Pulley, 4.50 OD x 1.002 Engine
10	04387900	1	Clutch Assembly, Ogura
11	06443600	1	Washer, Flat Steel .469 x 2.00 x .25
12	05900043	1	Bolt, Hex .44-20 x 2.75 Grade 5
13	03873100	1	Hose, Hydraulic .38-11-0K M6N0-F6J0
14	05946900	1	Bolt, Hex .31-18 x 1.00 Grade 5 (991091)
15	06545400	1	Nut, .31-18 Nyloc Flange (991091)
16	03278100	17.0"	Hose, Gas Line Low Perm
17	03278800	1	Clamp, Fuel Line
18	05973300	1	Bolt, Hex M8-1.25 x 2.00 (991082, 083, 084, 090, 098, 099, 100, 101)
19	06308600	1	Washer, Locking .31 x .098 Regular (991082, 083, 084, 090, 098, 099, 100, 101)
20	03873200	1	Pipe Cap, 3/8 NPT Female
21	07500106	1	Protector, Oil Draw Hose
22	05933100	4	Screw, Tapping .31-18 x .25 (991091)
23	06308600	4	Washer, Locking .31 x .078 (991091)
24	06400927	4	Washer, 3/8" Spring Disc

HYDRO DRIVE

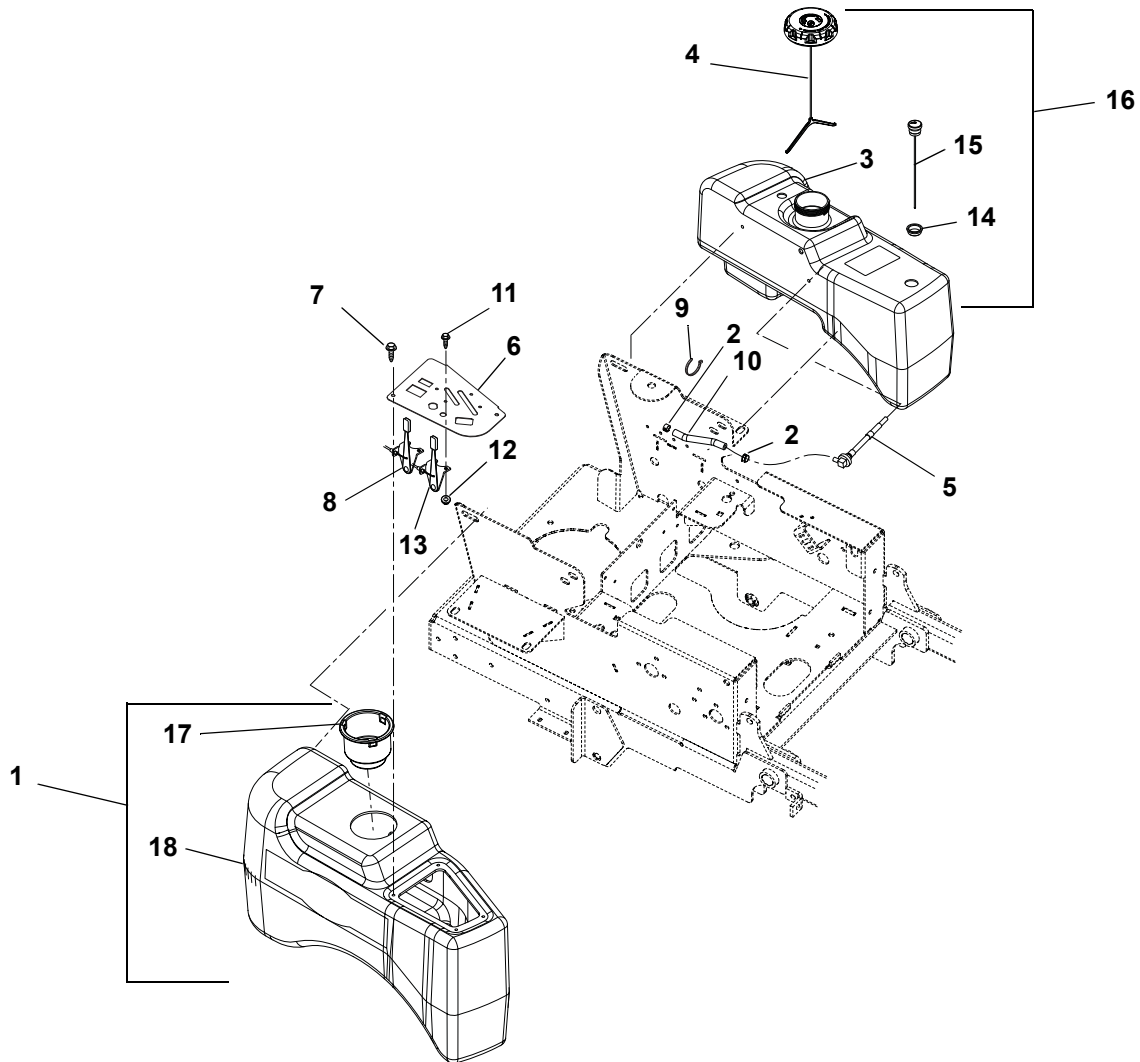
Models 991090, 091, 082, 083, 084, 098, 099, 100, 101



Item	Part No.	Qty.	Description
1	07211500	1	Belt, 4L 67.47 Wrapped
2	06442400	1	Washer, Flat Steel .406 x 1.375 x .135
3	06545500	3	Nut, .38-16 Nyloc Flange
4	05500123	AR	Bushing, 1.00 x 1.125 x 1.936
5	01581700	1	Bushing, Spacer .502 x .997 x 2.03
6	06500010	1	Nut .50-13 Nyloc Flange
7	03792951	AR	Weldment, Hydro Drive Idler Arm
8	08300507	1	Spring, Extension
9	07000034	1	Bolt, Shoulder EP .38-16 x .30 Hex
10	05958400	1	Bolt, Hex .38-16 x 2.50 Grade 5
11	06529400	1	Nut, Locking Center .375-16
12	05960000	1	Bolt, Hex .50-13 x 3.25 Grade 5
13	06223600	1	Bolt, Round Head Square Neck .38-16 x 1.00 Grade 5
14	05963300	1	Bolt, Hex .38-16 x 2.00 Grade 5
15	06436200	1	Washer, Flat Steel .406 x .812 x .065
16	07300101	1	Assembly, 4" Idler (.75 Wide)
17	00391900	1	Belt Finger
18	06436400	1	Washer, Flat Steel .511 x 1.441 x .125
19	03796200	1	Assembly, Idler Pivot Arm (Includes items 4, 7)

FUEL TANKS AND HOSES

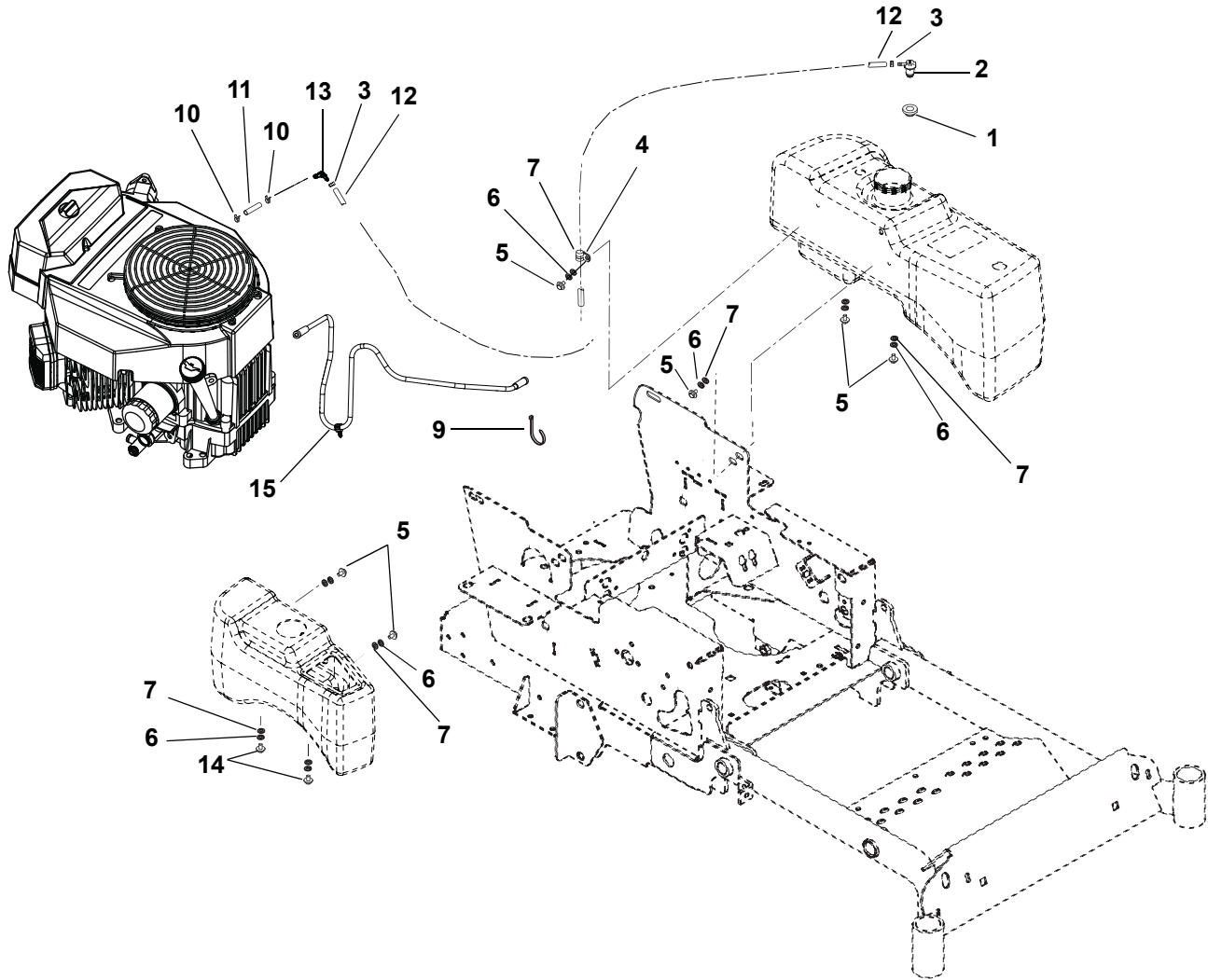
Models 991090, 091, 082, 083, 084, 098, 099, 100, 101



Item	Part No.	Qty.	Description
1	04685900	1	Assembly, Fender with Cupholder (Includes items 17 and 18)
2	03278800	2	Clamp, Fuel Line
3	04391600	1	Tank, Fuel Left Hand
4	04558000	1	Cap, Fuel Vent-in Autolock (991082, 083, 084, 090, 091)
	04558100	1	Cap, Fuel Non-Vent Autolock (991098, 099, 100, 101)
5	04320900	1	Assembly, Tank Fuel Pick-up
6	04391851	1	Panel, Control
7	06100213	4	Screw, Plastite .25 x 10 x .75 YZ
8	06900422	2	Cable, Control (991082, 083, 084, 090, 098, 099, 100, 101)
	06900422	1	Cable, Control (991091)
9	07517300	2	Cable Tie
10	03278100	25"	Hose, .25 Low-PERM Bulk Gas
11	06116700	4	Screw, Machine 10-24 x .50 Hex Washer Head
12	06536000	4	Nut, Locking Nylon 10-24 with Insert
13	06900320	1	Cable, Throttle Control (991090)
14	07500034	1	Grommet, Fuel Gauge
15	07500029	1	Gauge, Remote Fuel 10.0"
16	04334500	1	Assembly, Fuel Tank (Includes items 3, 4, 5, 14, 15 above and items 1, 2 on page 11)
17	04192700	1	Cupholder
18	04391700	1	Fender

VAPOR RECOVERY VENT LINES

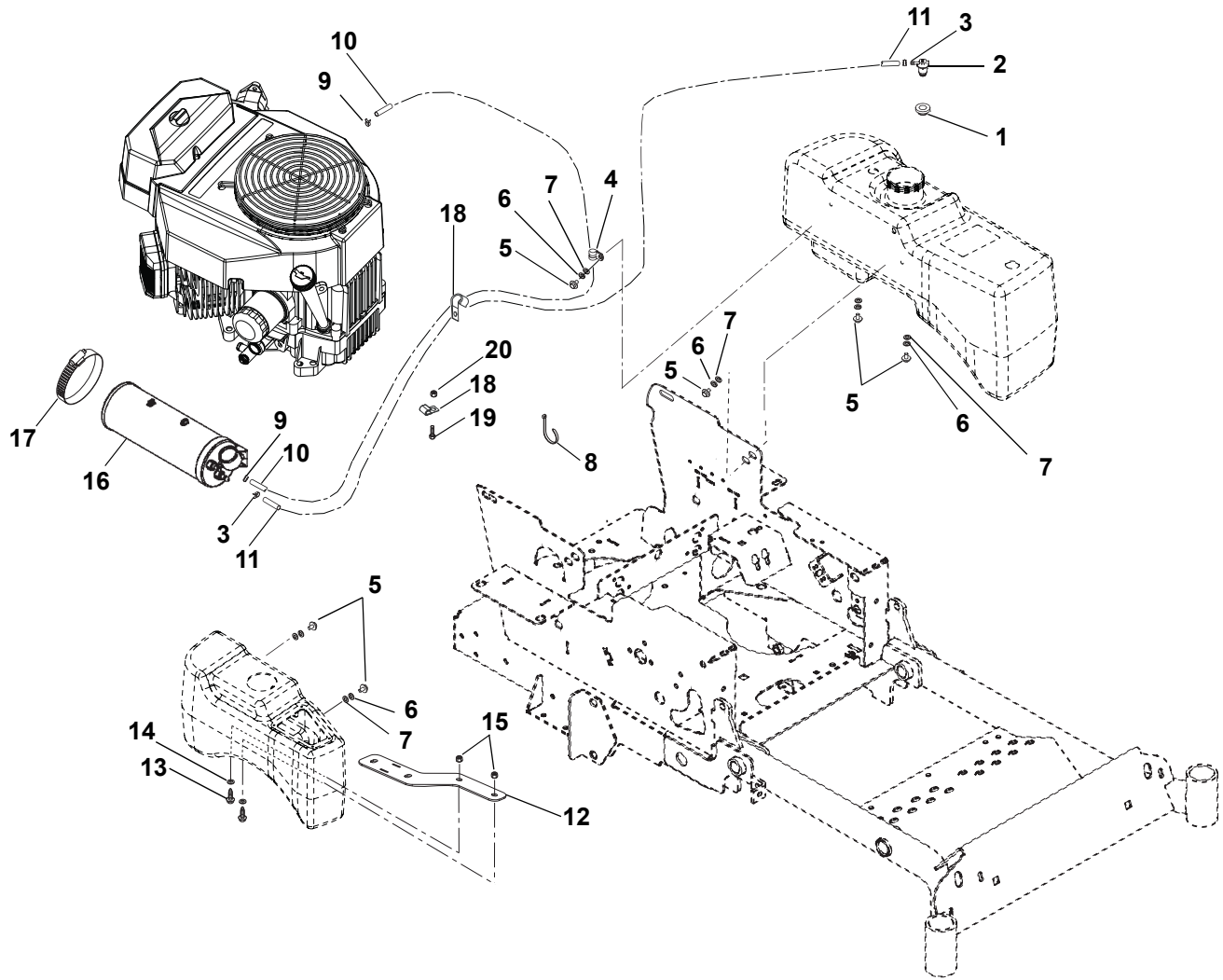
Models 991090, 091, 082, 083, 084



Item	Part No.	Qty.	Description
1	04082700	1	Grommet
2	04068910	1	Valve
3	03278800	2	Hose, Clamp (Serial No. 020000 – 024999)
4	06908200	1	Clamp (Serial No. 020000 – 024999)
5	05947800	6	Bolt, .31-18 x .62
6	06308600	8	Washer, Locking .31 x .078 Regular
7	06435700	8	Washer, Flat Steel .38 x .875 x .083
8	04192700	1	Cupholder, Snap-in 3.75 O.D.
9	07517300	2	Tie, Cable LG 5.50
10	04097700	2	Clamp, Spring .188 (Serial No. 020000 – 024999)
11	03375900	3	Hose, Fuel .18" (Serial No. 020000 – 024999)
12	03278100	20	Hose, Fuel .25" (Serial No. 020000 – 024999)
13	04097000	1	Fitting, 90° Vacuum .18 x .25 (Serial No. 020000 – 024999)
14	06100213	2	Screw, Plastite .25-10 x .75 YZ
15	04459400	1	Kawasaki, Line HD (Serial No. 025000 +)

VAPOR RECOVERY VENT LINES (CARB MODELS)

Models 991098, 099, 100, 101

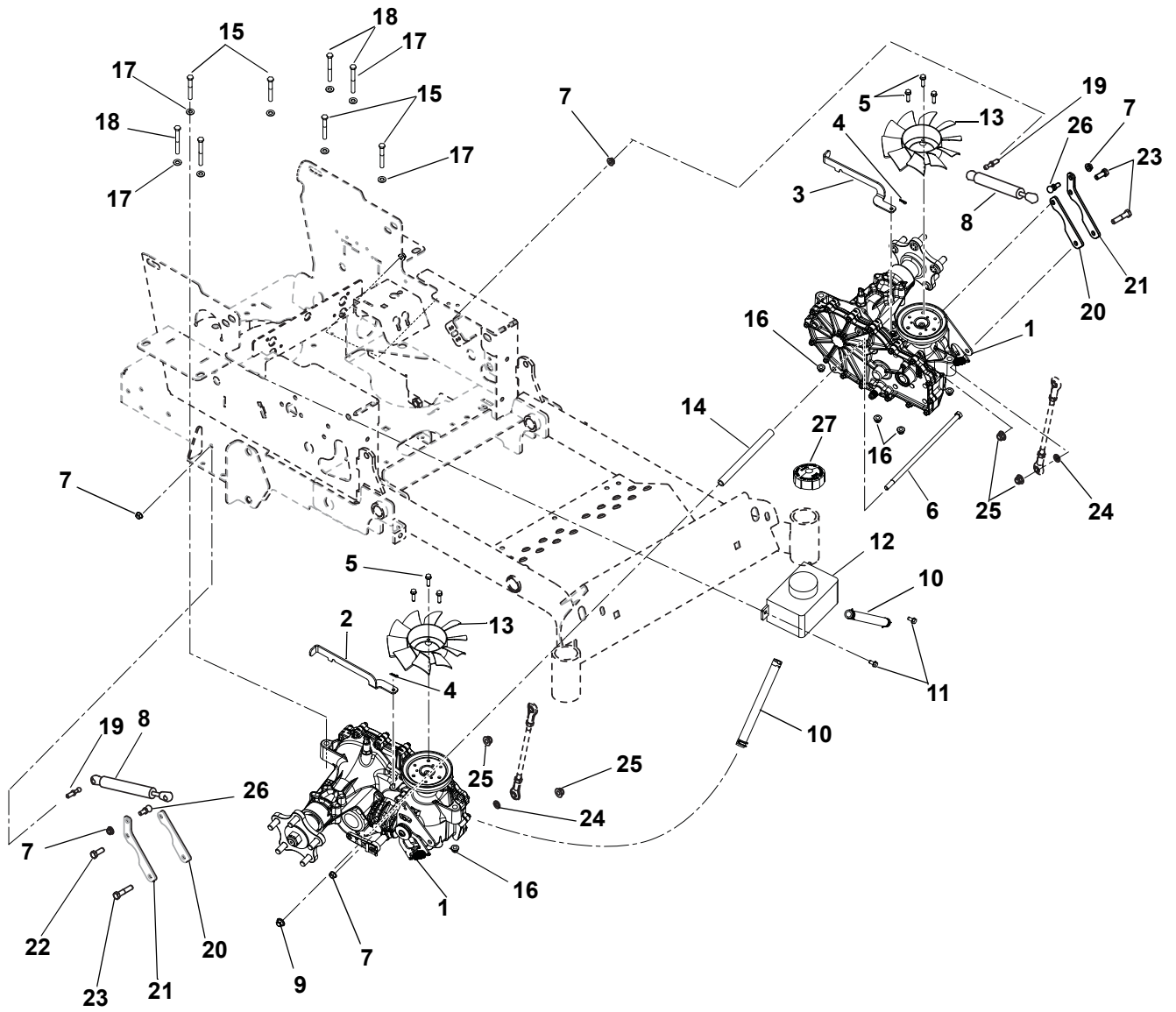


Item	Part No.	Qty.	Description
1	04082700	1	Grommet
2	04068910	1	Valve
3	03278800	2	Hose, Clamp
4	06908200	1	Clamp
5	05947800	6	Bolt, .31-18 x .62
6	06308600	6	Washer, Locking .31 x .078 Regular
7	06435700	6	Washer, Flat Steel .38 x .875 x .083
8	07517300	2	Tie, Cable LG 5.50
9	04097700	2	Clamp, Spring .188
10	03375900	52"	Hose, Fuel .18"
11	03278100	40"	Hose, Fuel .25"
12	04546051	1	Plate, Canister Mount
13	07400007	2	Screw, Tapping .25-20 x 1.50 Hex Washer Head Thread Rolling
14	06426600	2	Washer, Flat Steel .281 x 1.000 x .063
15	06500012	2	Nut, Locking Nylon Flange .25-20
16	04545900	1	Canister, Carbon 9.36 Cap
17	06940200	1	Clamp, Hose Worm 2.3/3.2 Stainless Steel #44
18	06900036	2	Clamp, Cushioned Steel
19	05948700	1	Bolt, Hex .38-16 x 1.00 Grade 5
20	06545500	1	Nut, Locking Nylon Flange .38-16

NOTES

TRANSMISSION

Models 991090, 091, 082, 083, 084, 098, 099, 100, 101



TRANSMISSION

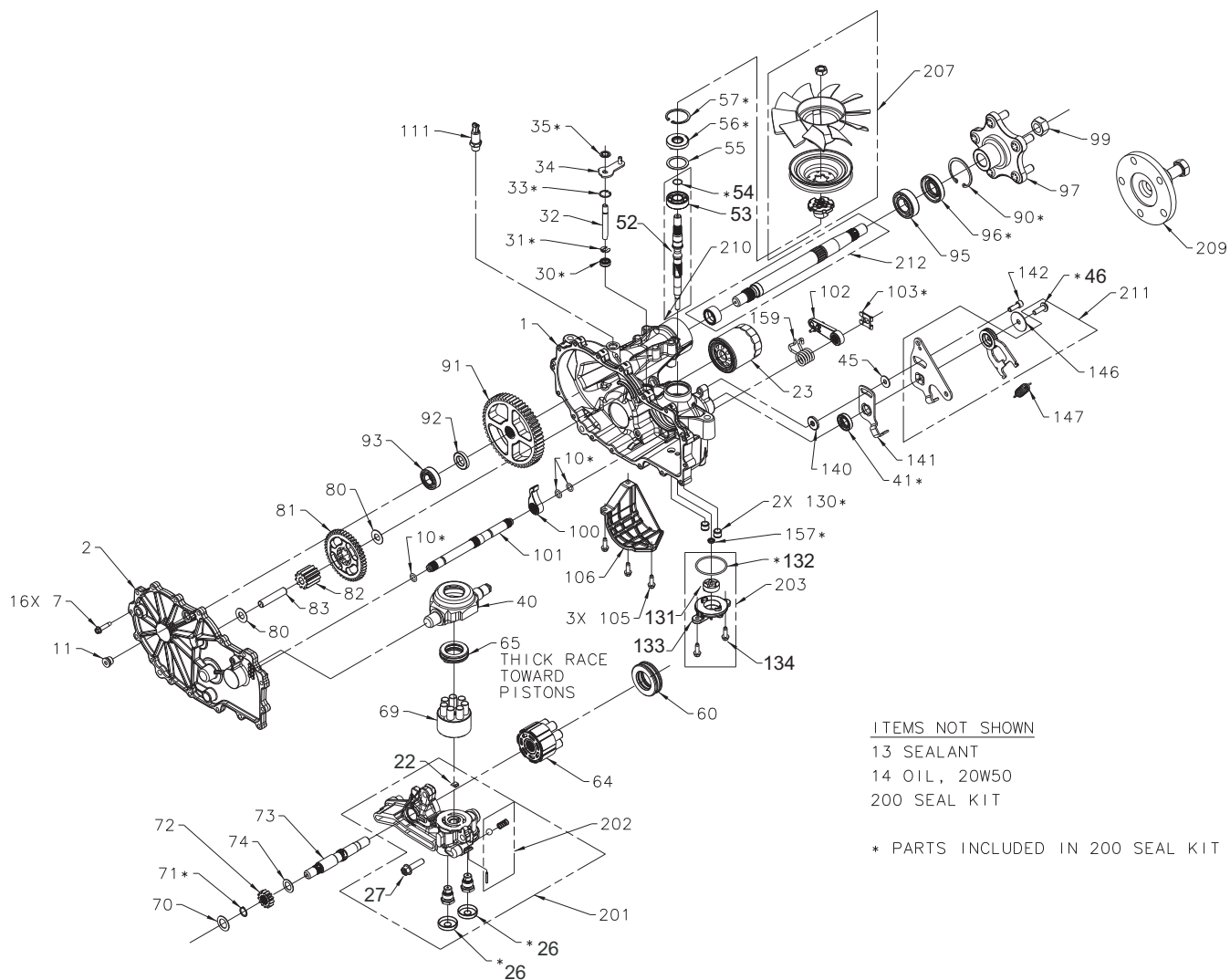
Models 991090, 091, 082, 083, 084, 098, 099, 100, 101

Item	Part No.	Qty.	Description
1	03283700	1	Transaxle, 2800 Series – Left Hand (page 16)
	03283600	1	Transaxle, 2800 Series – Right Hand (page 18)
2	03282851	1	Right Hand Dump Valve Lever – Black
3	03282951	1	Left Hand Dump Valve Lever – Black
4	06701900	2	Pin, Hair, Internal .06 x .18 x .77
5	07412400	6	Screw, Tapping .25-20 x 1.00 Hex Washer Head Thread
6	05901315	1	Bolt, Hex .38-16 x 11.00 Grade 5
7	06543100	4	Nut, Top Lock Flange
8	03943800	2	Damper, Stabilus
9	06545500	1	Nut, .38-16 Nyloc Flange
10	03251900	2	Assembly, Hydro Overflow Tank Hose
11	07412000	2	Screw, Tapping .25-20 x .50 Hex Washer Head Thread
12	02958700	1	Tank, Expansion
13	03283500	2	Fan, Cooling
14	03367200	1	Spacer, .38 ID x 5/8 OD x 7.72
15	05952600	4	Bolt, Hex .31-18 x 2.50 Grade 5
16	06545400	8	Nut, Nyloc Flange .312-18
17	06437200	8	Washer, Flat Steel .344 x .688 x .065
18	05962500	4	Bolt, Hex .31-18 x 3.00 Grade 5
19	04097100	2	Ball Stud, Threaded
20	03855000	2	Plate, Reinforcement
21	04276700	2	Plate, Damper Mounting
22	05948700	2	Bolt, Hex .38-16 x 1.00 Grade 5
23	05958500	2	Bolt, Hex 3/8-16 x 1.75 Grade 5
24	06308800	2	Washer, Locking .38 x .094
25	06545500	4	Nut, Nyloc Flange 3/8-16
26	03652200	2	Ball Stud, Threaded
27	21544042	1	Cap, Hydro Reservoir Replacement

HYDRO-GEAR HYDROSTATIC PUMP (LEFT SIDE)

Models 991090, 091, 082, 083, 084, 098, 099, 100, 101

IF A GRAVELY PART NUMBER IS NOT LISTED
NEXT TO A HYDRO-GEAR NUMBER, SOURCE THE
PART FROM YOUR LOCAL HYDRO-GEAR PARTS
DISTRIBUTOR.



HYDRO-GEAR

HYDRO-GEAR HYDROSTATIC PUMP (LEFT SIDE)

Models 991090, 091, 082, 083, 084, 098, 099, 100, 101

Item	Gravelly p/n	Hydro-Gear p/n	Qty.	Description
1		71421	1	Kit, Main Housing Left Hand
2		71574	1	Kit, Side Housing Left Hand
7	21543819	53246	16	HFHCS 1/4-20 x 1.25
10		51804	3	O-Ring, 111 .103 x .424
11	08613700	9005110-5600	1	Plug, 9/16-18 (Metal)
NS	21543771	50928	10.1 oz	Sealant
NS		N/A	70.3 oz	20W50 Oil
22	21543839	51448	1	Plate, Bypass
23		52114	1	Filter, Oil
26		52162	2	Seal, Plug 1.25 x .25
27		52137	3	HFHCS, 3/8-16 x 1.5
30	21543845	51626	1	Seal, Lip .375 x .75 x .25
31	08622500	51628	1	Ring, Retention .375 External
32		52136	1	Rod, Bypass
33	21543846	51627	1	Ring, Retention .750 Internal
34		52370	1	Arm, Bypass
35	21543848	51630	1	Ring, Retention .375 Ext
40	21543783	51048	1	Trunnion, Swashplate
41		51140	1	Seal, LIP 18 x 32 x 7
45	08611200	44130	1	Washer, .34 x .88 x .06
46	21543854	51812	1	TWHCS 5/16-24 x 1.00
52		52155	1	Shaft, Input
53	21543738	50315	1	Bearing, Ball 17 x 40 x 12 Open 6203
54		2000022	1	Ring, Ret Wire .561 ID
55	21543773	50951	1	Washer, 1.23 x 1.56 x .04
56	21543816	51161	1	Seal, Lip 17 x 40 x 7
57	21543741	50329	1	Ring, Ret 1.59 Int
60		51462	1	Bearing, Thrust
64		71579	1	Assembly, Cylinder Block, 16cc
65	08609100	50551	1	Bearing, Thrust Ball 30 x 52 x 13
69		70723	1	Assembly, Block, 7 Piston
70	21543708	44371	1	Washer, .63 x 1.0 x .05
71	21543704	44145	1	Ring, Retaining .625
72		52342	1	Gear, 13T, Steel
73		52150	1	Shaft, Motor
74	21543788	51069	1	Washer, .72 x 1.16 x .04
80	21543724	50132	2	Washer, .5 x 1.0 x .03
81		52343	1	Gear, 46T
82		52586	1	Gear, 11T, Steel
83	21543793	51083	1	Jack Shaft
90	08616500	50859	1	Ring, Ret 2.06 Int
91		52108	1	Gear, 54T
92		53336	1	Spacer, .75 x 1.0 x .257
93		44121	1	Bearing, Ball .75 x 40 x 12
95	08614000	53656	1	Bearing, Ball 1.0 x 52 x 15 Open 6205M
96	08614300	53699	1	Seal, Lip 25 x 52 x 10 TC (Gray)
97		71446	1	Kit, Hub, 4 Bolt
99	08621100	50863	1	Nut, Hex Lock 3/4-16
100		52766	1	Pawl, Brake
101		52651	1	Brake Shaft
102		52639	1	Brake Handle
103		52027	1	Clip, Retaining
105	21543759	50752	3	HFHCS 1/4-20 x .75
106		53655	1	Guard, Filter, RH
111		71393	1	Fitting, Str 9/16-18 SAE .5 Barb
130		52157	2	Tube, Connecting
131	08611500	50273	1	Assembly, Gerotor Tang x 1.15 x .39
132		52250	1	O-Ring, -137, 0.103 x 2.05
133		52688	1	Cover, Charge Pump
134	21543759	50752	1	HFHCS 1/4-20 x .75
140		52527	1	Spacer, .320 x 1.00 x .179
141		51946	1	Arm, Neutral Left
142	21543843	51616	1	SHCS 5/16-24 x 1 Patch
146	21543871	51950	1	Washer, .343 x 1.5 x .062
147		51833	1	Spring, Extension Rtn - 34 lbs
156		53088	1	Cap, Axle
157		53456	1	Seal, LIP 8 x 12 x 3 VC
159		53429	1	Spring, Torsion CCW
200		71410	1	Kit, Seal (* - parts included in this kit)
201		71568	1	Kit, Center Section, RH, CHR
202		71436	1	Kit, Charge Relief
203		71411	1	Kit, Charge Pump (includes items 131, 132, 133 & 134)
207		72124	1	Kit, Fan and Pulley
209		71459	1	Hub Puller, 4 Bolt
210		71442	1	Kit, Input Shaft (includes items 52, 53 and 54)
211		71633	1	Kit, Arm Control (includes items 44, 46 and 145)
212		71569	1	Kit, Axle Shaft (includes items 94 & 109)

HYDRO-GEAR HYDROSTATIC PUMP (RIGHT SIDE)

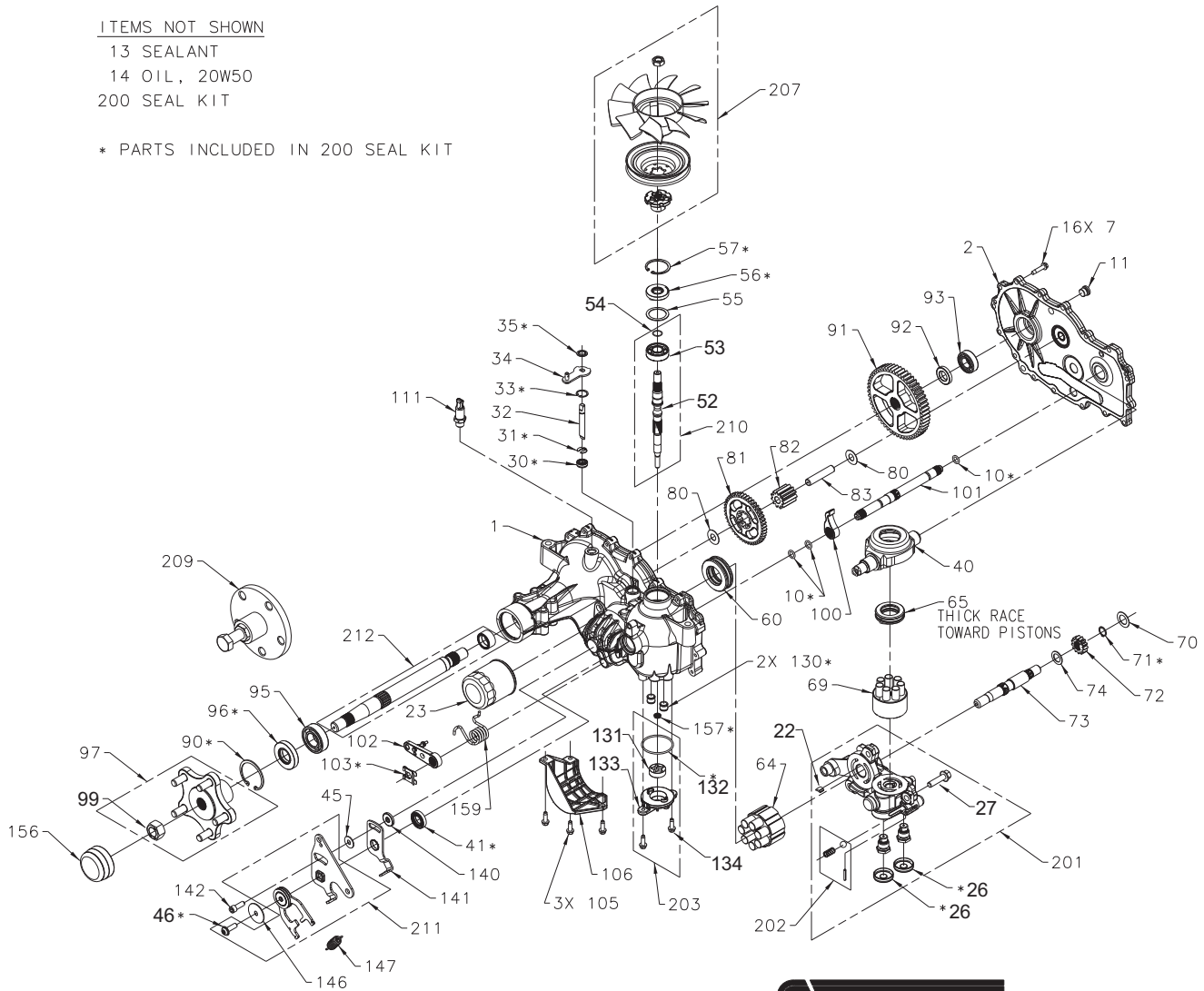
Models 991090, 091, 082, 083, 084, 098, 099, 100, 101

IF A GRAVELY PART NUMBER IS NOT LISTED
NEXT TO A HYDRO-GEAR NUMBER, SOURCE THE
PART FROM YOUR LOCAL HYDRO-GEAR PARTS
DISTRIBUTOR.

ITEMS NOT SHOWN

- 13 SEALANT
- 14 OIL, 20W50
- 200 SEAL KIT

* PARTS INCLUDED IN 200 SEAL KIT



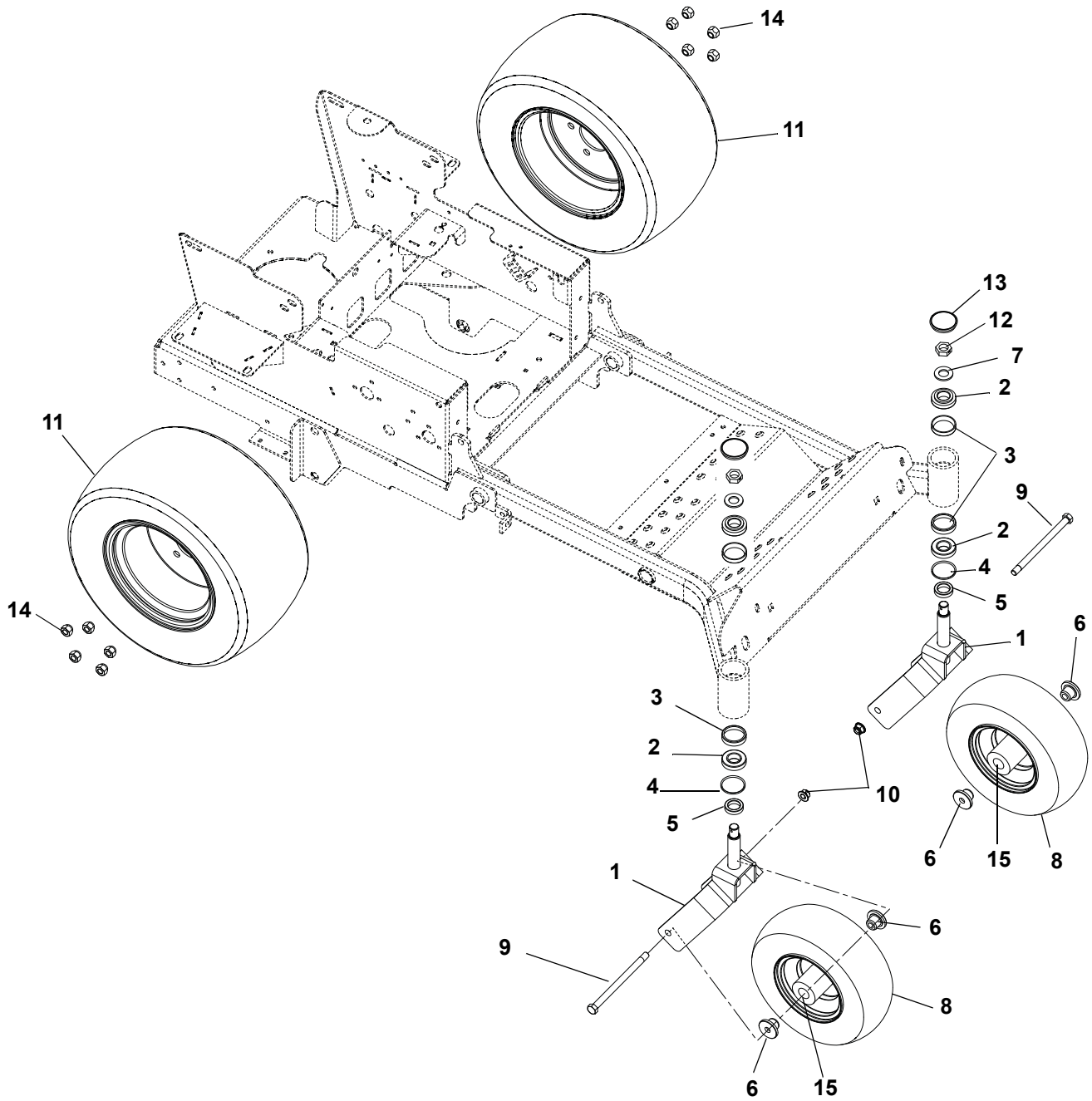
HYDRO-GEAR HYDROSTATIC PUMP (RIGHT SIDE)

Models 991090, 091, 082, 083, 084, 098, 099, 100, 101

Item	Gravelly p/n	Hydro-Gear p/n	Qty.	Description
1		71413	1	Kit, Main Housing Right Hand
2		71572	1	Kit, Side Housing, Right Hand
7	21543819	53246	16	HFHCS 1/4-20 x 1.25
10		51804	2	O-Ring, .111 .103 x .424
11	08613700	9005110-5600	1	Plug, 9/16-18 (Metal)
NS	21543771	50928	10.1 oz	Sealant
NS		N/A	70.3 oz	20W50 Oil
22	21543839	51448	1	Plate, Bypass
23		52114	1	Filter, Oil
26		52162	2	Seal, Plug 1.25 x .25
27		52137	3	HFHCS, 3/8-16 x 1.5
30	21543845	51626	1	Seal, Lip .375 x .75 x .25
31	08622500	51628	1	Ring, Retention .375 External
32		52136	1	Rod, Bypass
33	21543846	51627	1	Ring, Retention .750 Internal
34		51629	1	Arm, Bypass
35	21543848	51630	1	Ring, Retention .375 External
40	21543783	51048	1	Trunnion, Swashplate
41		51140	1	Seal, Lip 18 x 32 x 7
42		50426	1	Stud, Short 5/16-24
43		52298	1	Puck, Friction
45	08611200	44130	1	Washer, .34 x .88 x .06
46	21543854	51812	1	TWHCS 5/16-24 x 1.00
52		52155	1	Shaft, Input
53	21543738	50315	1	Bearing, Ball 17 x 40 x 12 Open 6203
54		2000022	1	Ring, Ret Wire .561 ID
55	21543773	50951	1	Washer, 1.23 x 1.56 x .04
56	21543816	51161	1	Seal, Lip 17 x 40 x 7
57	21543741	50329	1	Ring, Ret 1.59 Internal
60		51462	1	Bearing, Thrust
64		71579	1	Assembly, Cylinder Block, 16cc
65	08609100	50551	1	Bearing, Thrust Ball 30 x 52 x 13
69		70723	1	Assembly, Block, 7 Piston
70	21543708	44371	1	Washer, .63 x 1.0 x .05
71	21543704	44145	1	Ring, Retaining .625
72		52149	1	Gear, 16T, Steel
73		52150	1	Shaft, Motor
74	21543788	51069	1	Washer, .72 x 1.16 x .04
80	21543724	50132	2	Washer, .5 x 1.0 x .03
81		52148	1	Gear, 43T
83	21543793	51083	1	Jack Shaft
90	08616500	50859	1	Ring, Ret 2.06 Internal
91		52108	1	Gear, 54T
92		53336	1	Spacer, .75 x 1.32 x .257
93		44121	1	Bearing, Ball .75 x 40 x 12
95	08614000	53656	1	Bearing, Ball 1.0 x 52 x 15 Open 6205M
96	08614300	53699	1	Seal, Lip TC4 1.0 x 2.06 x .38
99	08621100	50863	1	Nut, Hex Lock 3/4-16
103		52027	1	Clip, Retaining
105	21543759	50752	3	HFHCS 1/4-20 x .75
106		52257	1	Guard, Filter, RH
111		71393	1	Fitting, Str 9/16-18 SAE .5 Barb
130		52157	2	Tube, Connecting
131	08611500	50273	1	Assembly, Gerotor Tang x 1.15 x .39
132		52250	1	O-Ring, -137, 0.103 x 2.05
133		52688	1	Cover, Charge Pump
134	21543759	50752	1	HFHCS 1/4-20 x .75
140		52527	1	Spacer, .320 x 1.00 x .179
142	21543843	51616	1	SHCS 5/16-24 x 1 Patch
146	21543871	51950	1	Washer, .343 x 1.5 x .062
147		51833	1	Spring, Extension Rtn - 34 lbs
200		71410	1	Kit, Seal (* - parts included in this kit)
203		71411	1	Kit, Charge Pump (includes items 131, 132, 133 & 134)
210		71442	1	Kit, Input Shaft (includes items 52, 53 and 54)
211		71597	1	Kit, Rtn CCW (includes items 44, 46 and 145)
212		71569	1	Kit, Axle Shaft (includes items 94 & 109)

WHEELS

Models 991090, 091, 082, 083, 084, 098, 099, 100, 101



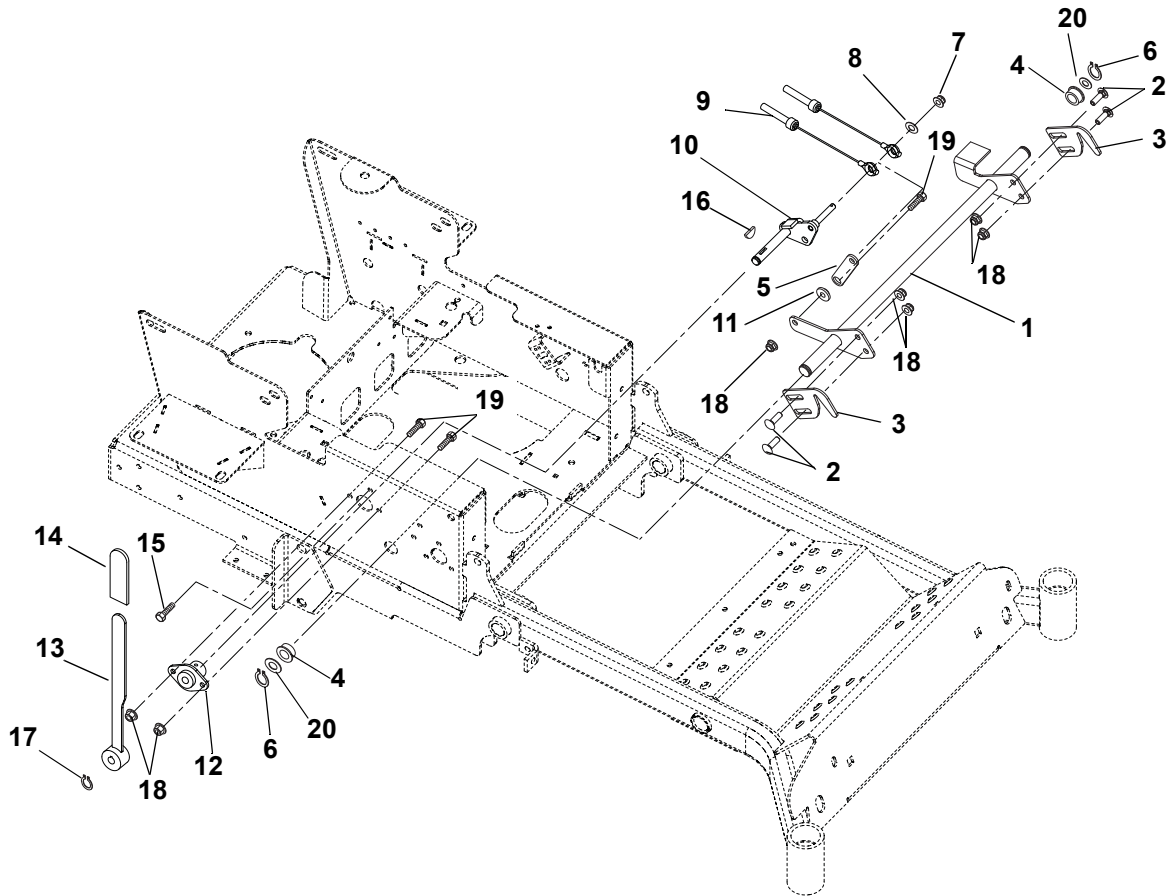
WHEELS

Models 991090, 091, 082, 083, 084, 098, 099, 100, 101

Item	Part No.	Qty.	Description
1	00490251	2	Weldment, Front Fork
2	69000300	4	Bearing, Cone with Grease, 1.0 x .58
3	05407000	4	Bearing, Cup 1.980 x .420
4	00531400	2	Bearing Seal 1.5 x 2 x .18
5	00531500	2	Spacer, 1.005 I.D. x 1.507 O.D. x .375
6	00675300	4	Spacer, Wheel
7	06439000	2	Washer, Flat Steel .812 x 1.50 x .135
8	07100835	2	Tire/Wheel Assembly 13 x 5.00-6
	07100219	AR	Tire 13 x 5.00-6
9	05978200	2	Bolt, Hex .50-13 x 7.50 Grade 5
10	06500010	2	Nut, Nyloc Flange .50-13
11	07100214	2	Tire/Wheel Assembly, 20 x 10.00-10
	07100215	AR	Tire, 20 x 10.00-10
12	06536900	2	Nut, Center Lock Jam .75-16
13	00456800	2	Cap, Dust
14	06517600	10	Wheel Nut .50-20
15	05435700	AR	Bearing, 25mm ID x 52mm OD x 15mm

BRAKES AND LINKAGE

Models 991090, 091, 082, 083, 084, 098, 099, 100, 101

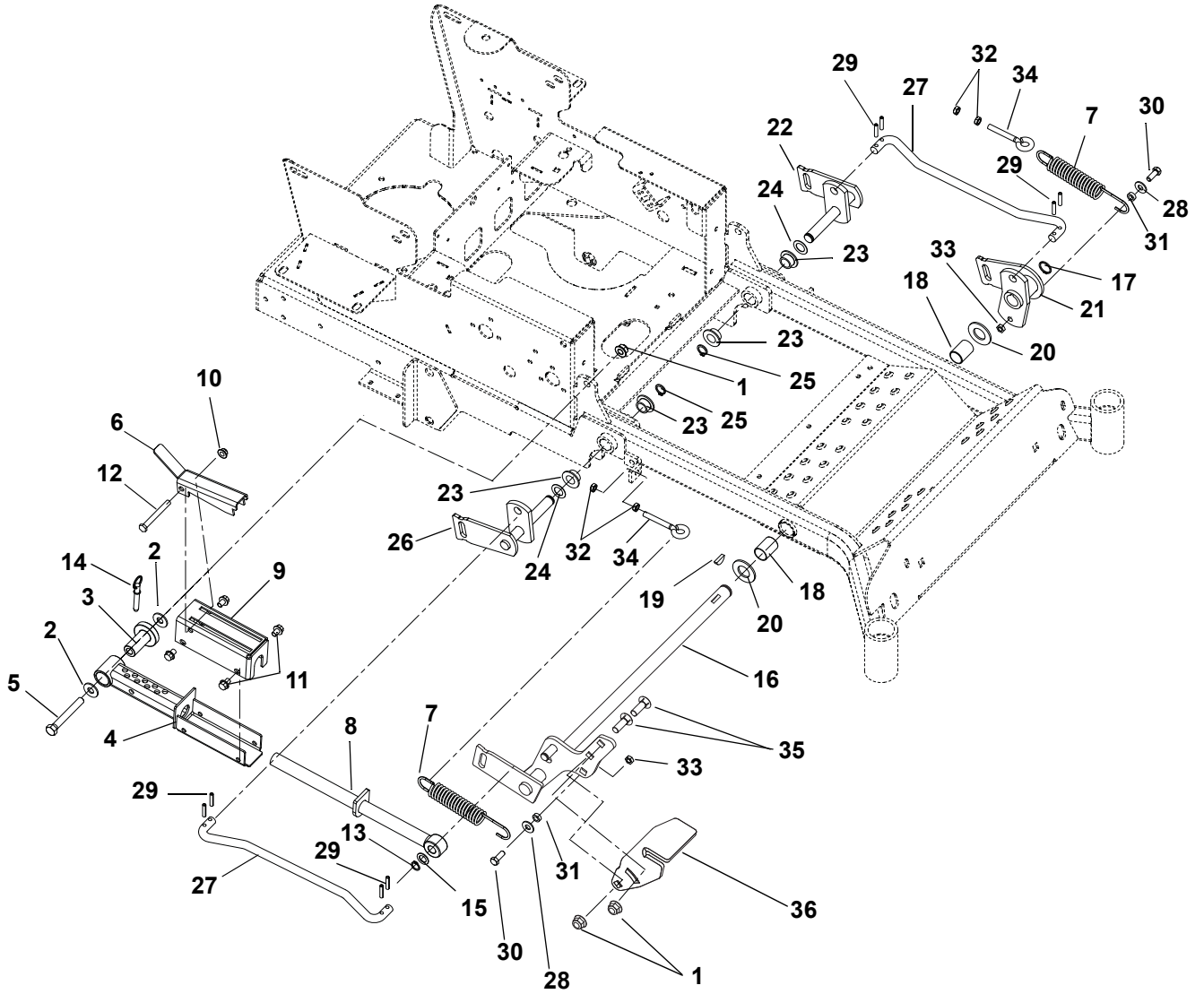


Item	Part No.	Qty.	Description
1	03780600	1	Weldment, Neutral Lock Arm
2	06216100	4	Bolt, Round Head Square Neck .31-18 x 1.00 Grade 5
3	03251351	2	Neutral Lock Latch
4	05503900	2	Bushing, Flange .750 x 1.000 x .625 x 1.250
5	03780900	1	Plate, Neutral Interlock
6	05714600	2	Ring, Retaining, External .689 x .077
7	06514900	1	Nut, Push .312
8	06437200	1	Washer, Flat Steel .344 x .688 x .065
9	06900318	2	Cable, Brake Actuating
10	03251100	1	Weldment, Park Brake Arm
11	01305900	1	Bushing, Flange .325 x .499 x .26 x .88
12	01522000	1	Bushing, Flange
13	03795900	1	Weldment, Parking Brake Lever
14	03826900	1	Grip, Parking Brake
15	07414100	1	Screw, Tapping .38-16 x 1.00 Hex Washer Head
16	06608400	1	Key, Woodruff .13 x .63
17	05717100	1	Ring, Retaining External .50 x .05
18	06545400	7	Nut, Nyloc Flange 5/16-18
19	05946900	3	Bolt, Hex .31-18 x 1.00 Grade 5
20	06430400	2	Washer, Flat Steel .812 x 1.370 x .100

NOTES

MECHANICAL LIFT

Models 991090, 091, 082, 083, 084, 098, 099, 100, 101



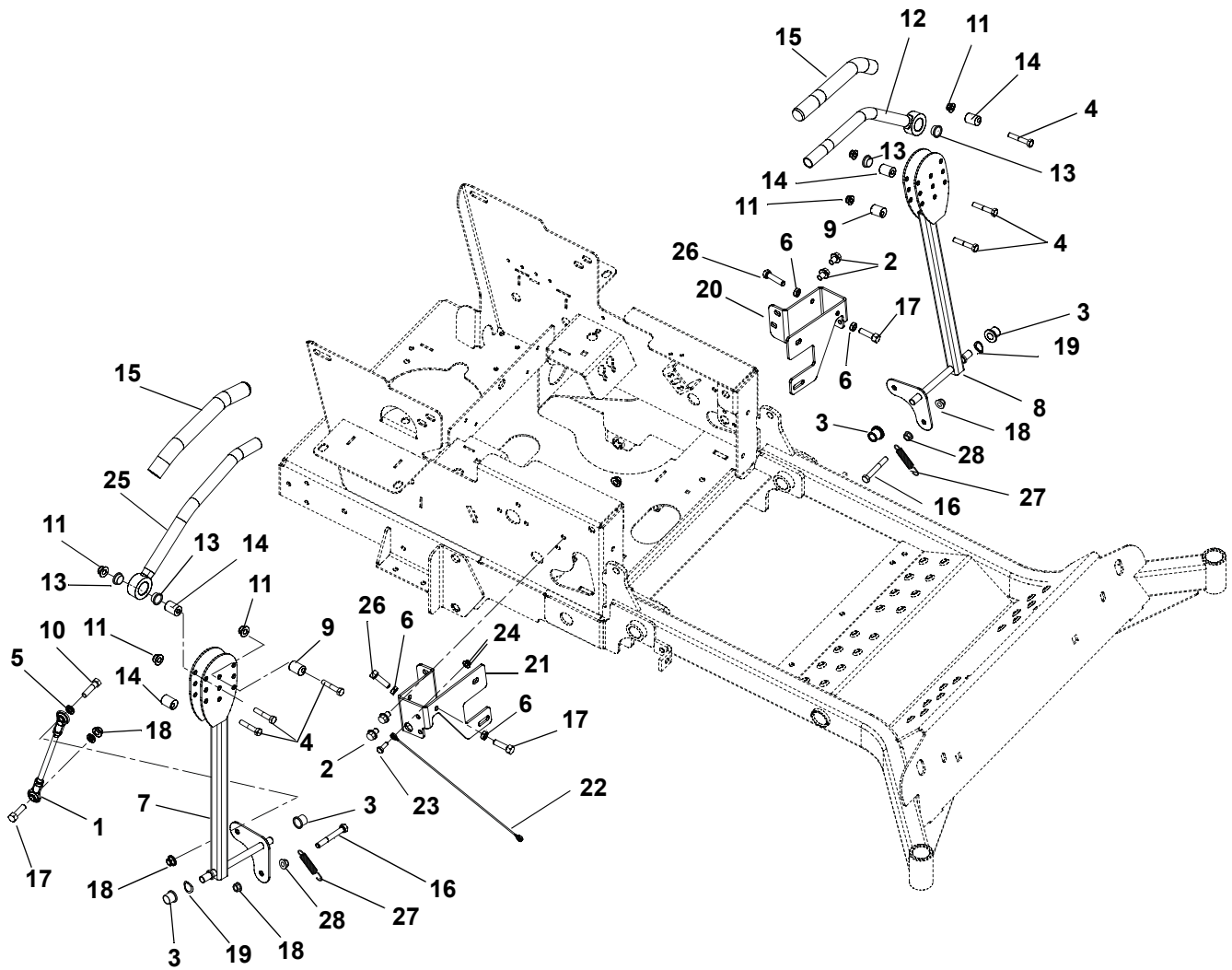
MECHANICAL LIFT

Models 991090, 091, 082, 083, 084, 098, 099, 100, 101

Item	Part No.	Qty.	Description
1	06500010	3	Nut, Nyloc Top Flange .50-13
2	06430200	2	Washer, Flat Steel .531 x 1.25 x .10
3	07000031	1	Bearing, Pedestal
4	09286251	1	Weldment, Mechanical Lift
5	05960100	1	Bolt, Hex .50-13 x 3.75 Grade 5
6	09299651	1	Lock, Up, Mechanical Lift
7	08319000	2	Spring, Tension .162 x 1.25 x 8.25 WLD 25
8	09291500	1	Weldment, Mechanical Lift Shaft
9	09299451	1	Weldment, Mechanical Lift Cover
10	06545500	1	Nut, Nyloc Flange 3/8-16
11	07412900	4	Screw, Tapping .38-16 x .50 Hex Washer Head
12	05961100	1	Bolt, Hex .38-16 x 3.25 Grade 5
13	05709200	1	Ring, Retaining External .625 x .050
14	01593500	1	Pin, Spring Ball .375 O.D. x 1.50
15	06436100	1	Washer, Flat Steel .630 x 1.005 x .062
16	04277300	1	Deck Lift
17	05707300	1	Ring, Retaining External 1.00 x .078
18	05500034	2	Bushing 1.00 ID x 1.125 OD x 1.50
19	06608900	1	Key, Woodruff .25 x 1.00
20	06443000	2	Washer, Flat Steel 1.062 x 2.0 x .134
21	00441000	1	Weldment, Left Hand Mower Lift Arm
22	00481600	1	Weldment, Left Hand Rear Mower Lift Arm
23	05518400	4	Bushing, Flange Nylon .762 x 1.0 x .580 x 1.48
24	06413400	2	Washer, Hardened Steel .758 x 1.23 x .031
25	05714600	2	Ring, Retaining External .689 x .077
26	00481500	1	Weldment, Right Hand Rear Mower Lift Arm
27	04063000	2	Rod, Lift Assist
28	06435900	2	Washer, Flat Steel .438 x 1.00 x .083
29	05800001	8	Pin, Roll .25 x 1.25 Stainless Steel
30	05948700	2	Bolt, Hex .38-16 x 1.00 Grade 5
31	05508900	2	Bushing, Sleeve .377 x .624 x .235
32	06535900	4	Nut, Hex, Jam .375-16
33	06537200	2	Nut, Locking Jam Center .375-16
34	07030000	2	Bolt, Eye .375-16 x 2.50
35	06223100	2	Bolt, Round Head Square Neck .50-13 x 1.50 Grade 5 YZ
36	04392651	1	Foot Pedal

STEERING CONTROLS

Models 991090, 091, 082, 083, 084, 098, 099, 100, 101



STEERING CONTROLS

Models 991090, 091, 082, 083, 084, 098, 099, 100, 101

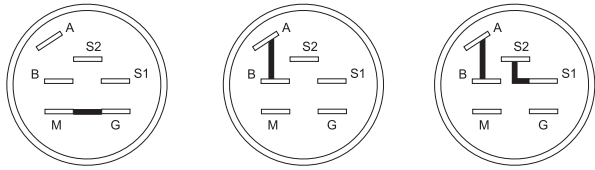
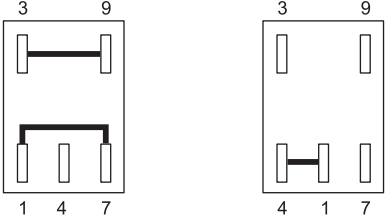


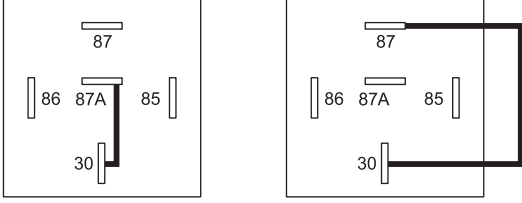
Item	Part No.	Qty.	Description
1	03251700	2	Assembly, Steering Linkage
2	07412900	4	Screw, Tapping .38-16 x .50 Hex Washer Head
3	05521100	4	Bushing, Flange .515 x .750 x .745 x 1.00 Nylon
4	05957400	8	Bolt, Hex .31-18 x 1.75 Grade 5
5	06308800	4	Washer, Locking .38 x .094
6	06535900	4	Nut, Hex Jam .375-16
7	03773551	1	Weldment, Right Hand Control Arm
8	03773651	1	Weldment, Left Hand Control Arm
9	05500932	2	Eccentric
10	05957900	2	Bolt, Hex .38-16 x 1.50 Grade 5
11	06545400	12	Nut, Nyloc Flange .375-16
12	09235500	1	Handle Weldment, Left Hand
13	05525200	4	Bushing, Flange Nylon .762 x 1.48 x .44
14	09235400	4	Spacer
15	07500222	2	Grip, Handlebar
16	05961400	2	Bolt, Hex .38-16 x 2.75 Grade 5
17	05958000	4	Bolt, Hex .38-16 x 1.25 Grade 5
18	06545500	8	Nut, Nyloc Flange 3/8-16
19	03704900	2	Wave Washer
20	03754751	1	Stop, Steering, Left Hand
21	03752751	1	Stop, Steering, Right Hand
22	06900317	1	Cable, 12.0 Lanyard, Nylon
23	05946800	1	Bolt, Hex .25-20 x .75 Grade 5
24	06500012	1	Nut, Nyloc Flange .25-20
25	09235600	1	Handle Weldment Right Hand
26	05959400	2	Bolt, Hex .38-16 x .75 Grade 5
27	08300516	2	Spring, External, .061 x .50 x 3.0
28	06534900	2	Nut, Spin Lock Flange .375-16

CONTINUITY DIAGRAM

Model 991090, 091, 082, 083, 084, 098, 099, 100, 101

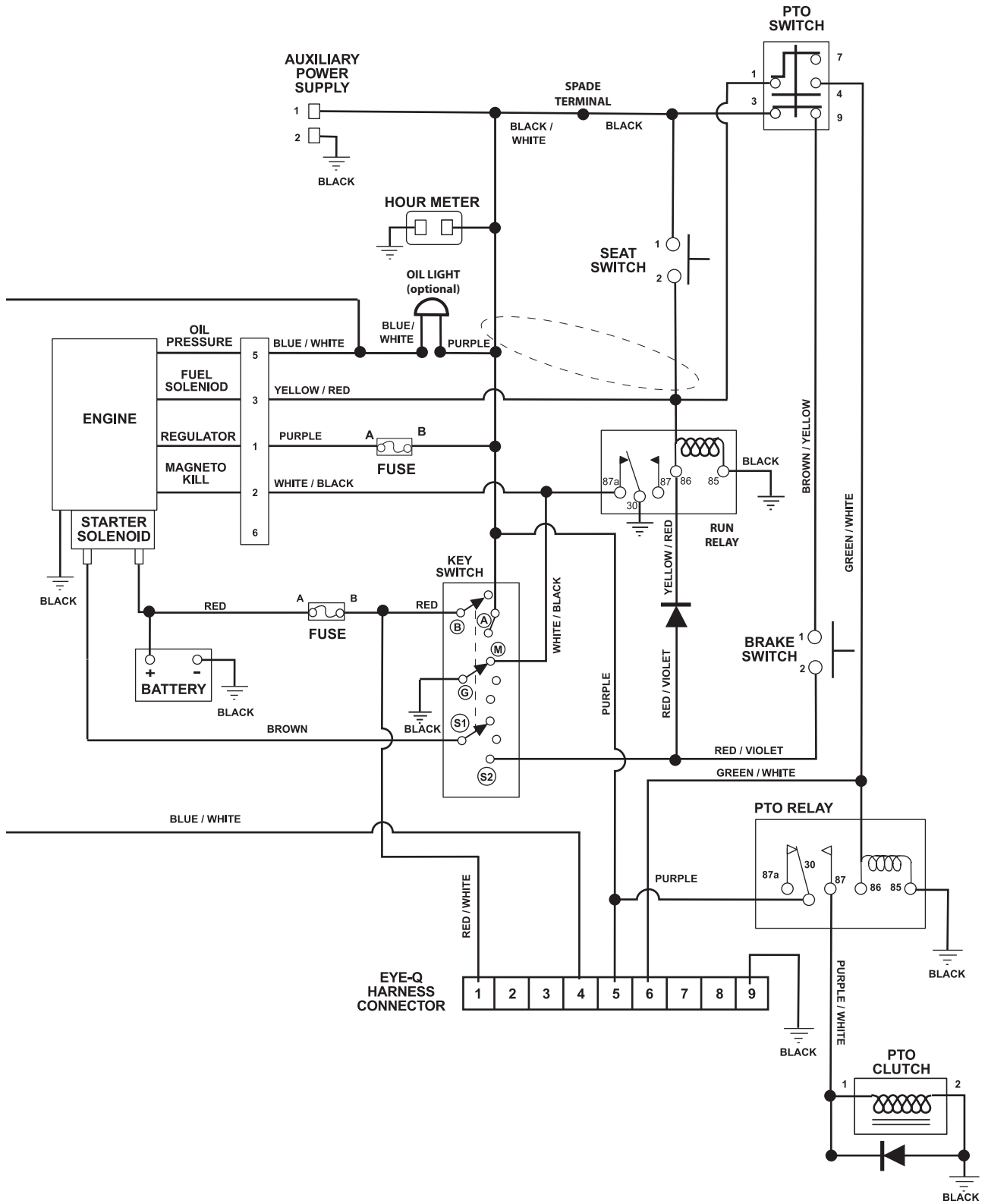
The diagrams below show the various states of connection for electrical components.
The solid lines on switches show continuity.

NOTE: All switches are viewed from the rear.

<p>Key Switch (04331700)</p>  <div style="display: flex; justify-content: space-around; margin-top: 10px;"> <div style="text-align: center;">OFF</div> <div style="text-align: center;">RUN</div> <div style="text-align: center;">START</div> </div>	<p>PTO Switch (01545600)</p>  <div style="display: flex; justify-content: space-around; margin-top: 10px;"> <div style="text-align: center;"> 1 4 7 DISENGAGED (down position) </div> <div style="text-align: center;"> 4 1 7 ENGAGED (up position) </div> </div>
<p>Seat Switch (04411600)</p>  <div style="display: flex; justify-content: space-around; margin-top: 10px;"> <div style="text-align: center;"> OPERATOR OFF SEAT </div> <div style="text-align: center;"> OPERATOR ON SEAT </div> </div>	<p>Brake Switch (03252300)</p>  <div style="display: flex; justify-content: space-around; margin-top: 10px;"> <div style="text-align: center;"> 1 2 BUTTON IN </div> <div style="text-align: center;"> 1 2 BUTTON OUT </div> </div>
<p>Relay (00432100)</p>  <div style="display: flex; justify-content: space-around; margin-top: 10px;"> <div style="text-align: center;"> NOT ENERGIZED </div> <div style="text-align: center;"> ENERGIZED </div> </div>	

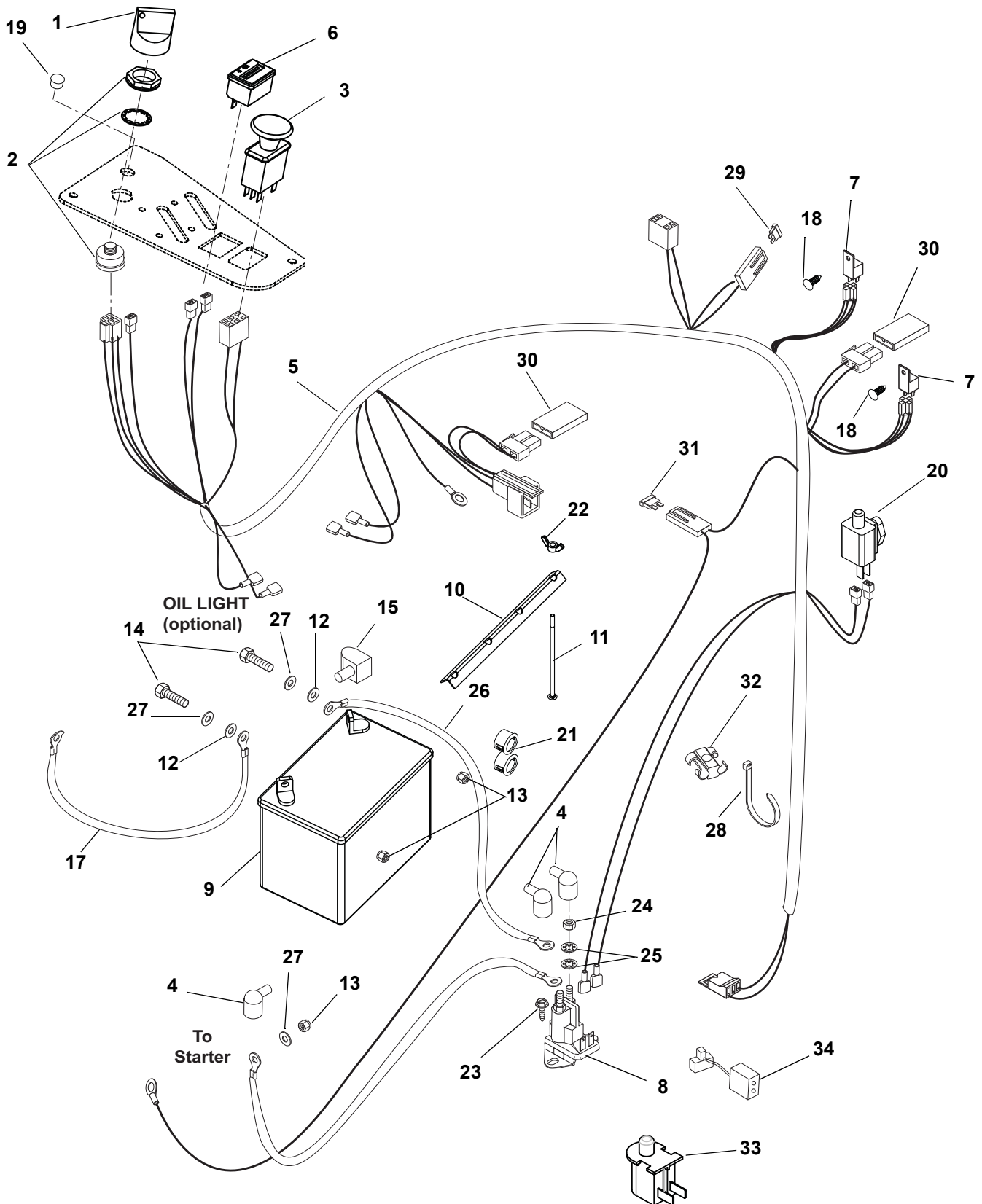
WIRING DIAGRAM

Models 991090, 091, 082, 083, 084, 098, 099, 100, 101



ELECTRICAL SYSTEM

Models 991090, 091, 082, 083, 084, 098, 099, 100, 101



ELECTRICAL SYSTEM

Models 991090, 091, 082, 083, 084, 098, 099, 100, 101

Item	Part No.	Qty.	Description
1	09287000	1	Key with Shield
2	04331700	1	Switch, Ignition
3	01545600	1	Switch, Clutch
4	00525800	3	Boot, Eyelet Terminal
5	04590700	1	Harness Wire
6	03966800	1	Hour Meter with Maintenance
7	00432100	AR	Relay, Sealed with Diode
8	00696900	1	Solenoid
9	01554800	1	Battery
10	03494051	1	Hold Down
11	06226400	2	Bolt, Round Head Square Neck .25-20 x 7.50
12	06437300	2	Washer, Flat Steel .281 x .620 x .065
13	06533200	3	Nut, Hex .25-20
14	05946800	2	Bolt, Hex .25-20 x .75 Grade 5
15	07505700	1	Insulator
16	03286000	1	Cable, Positive Battery 9.00"
17	03288100	1	Cable, Negative Battery
18	07500125	2	Rivet, .25 Nylon Panel
19	07527800	1	Plug, Hole .50 Diameter
20	03252300	1	Switch, Single Pole (N.O.) – Brake Switch
21	07500126	2	Bushing, Panel Snap .687 x .875 x .56
22	06537500	2	Nut, Locking Wing .25-20
23	07412000	2	Screw, Tapping .25-20 x .50 Hex Washer Head
24	06536700	2	Nut, Jam .31-24
25	06307200	2	Washer, Star Washer .31 x .078 Regular
26	03492500	1	Cable, Starter
27	06308400	3	Washer, Lock .25 x .062
28	07517300	3	Tie, Cable LG 5.50
29	00580600	AR	Fuse 20 Amp
30	09293500	AR	Diode, Connector Shell
31	09351100	AR	Fuse, 25 Amp
32	07001622	1	Clip, T .31-.38
33	02754100	1	Switch, Snap Mounting N.O.
34	04411600	1	Harness, Adapter Clutch

991090 Serial No. 020000 – 022219

991091 Serial No. 020000 – 020141

991082 Serial No. 020000 – 022448

991083 Serial No. 020000 – 021876

991084 Serial No. 020000 – 021811

991098 Serial No. 020000 – 022010

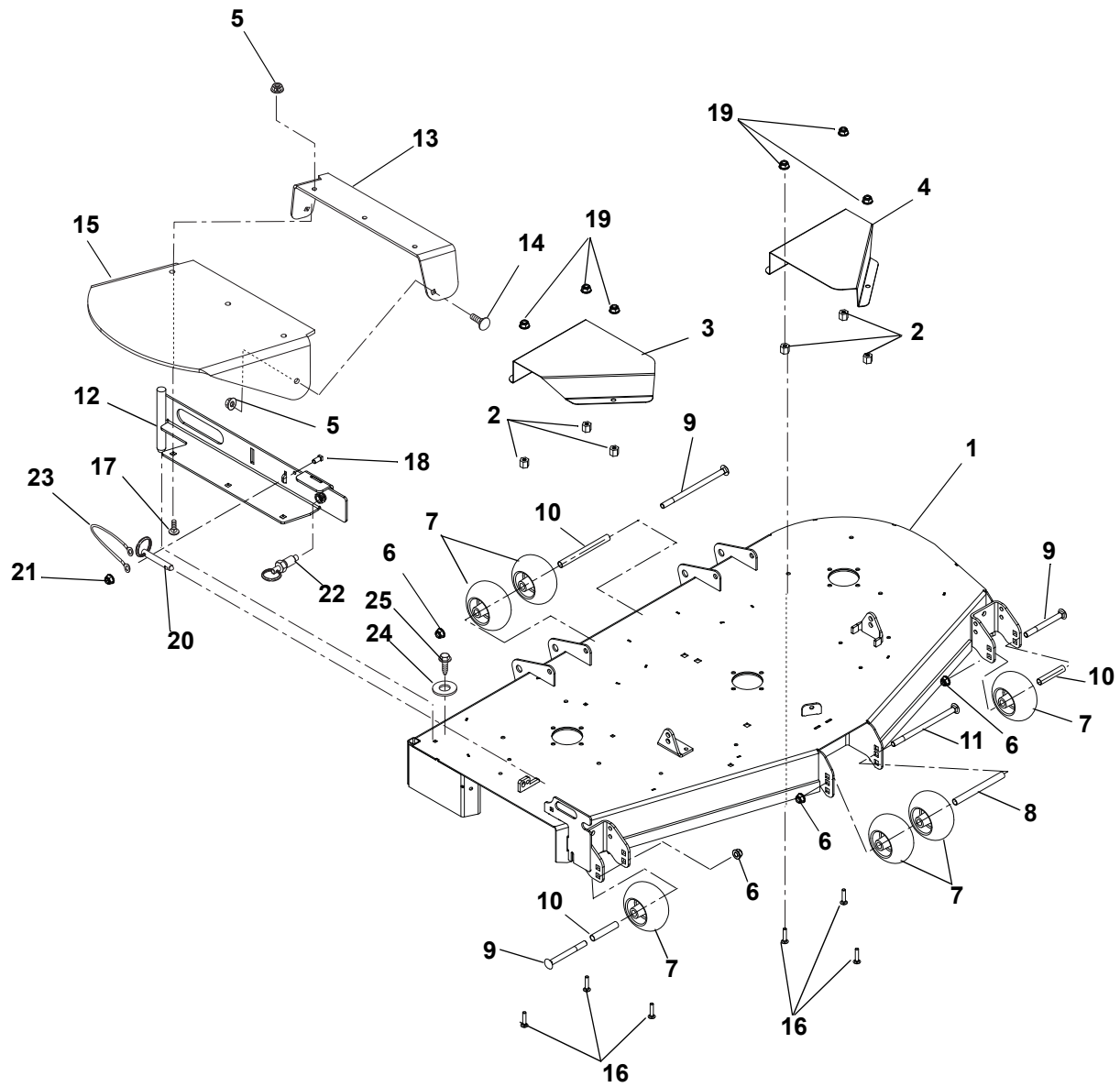
991099 Serial No. 020000 – 022014

991100 Serial No. 020000 – 020034

991101 Serial No. 020000 – 020007

DECK, DISCHARGE CHUTE, ANTI-SCALP ROLLERS, & BELT COVERS

Models 991090, 091, 082, 083, 084, 098, 099, 100, 101



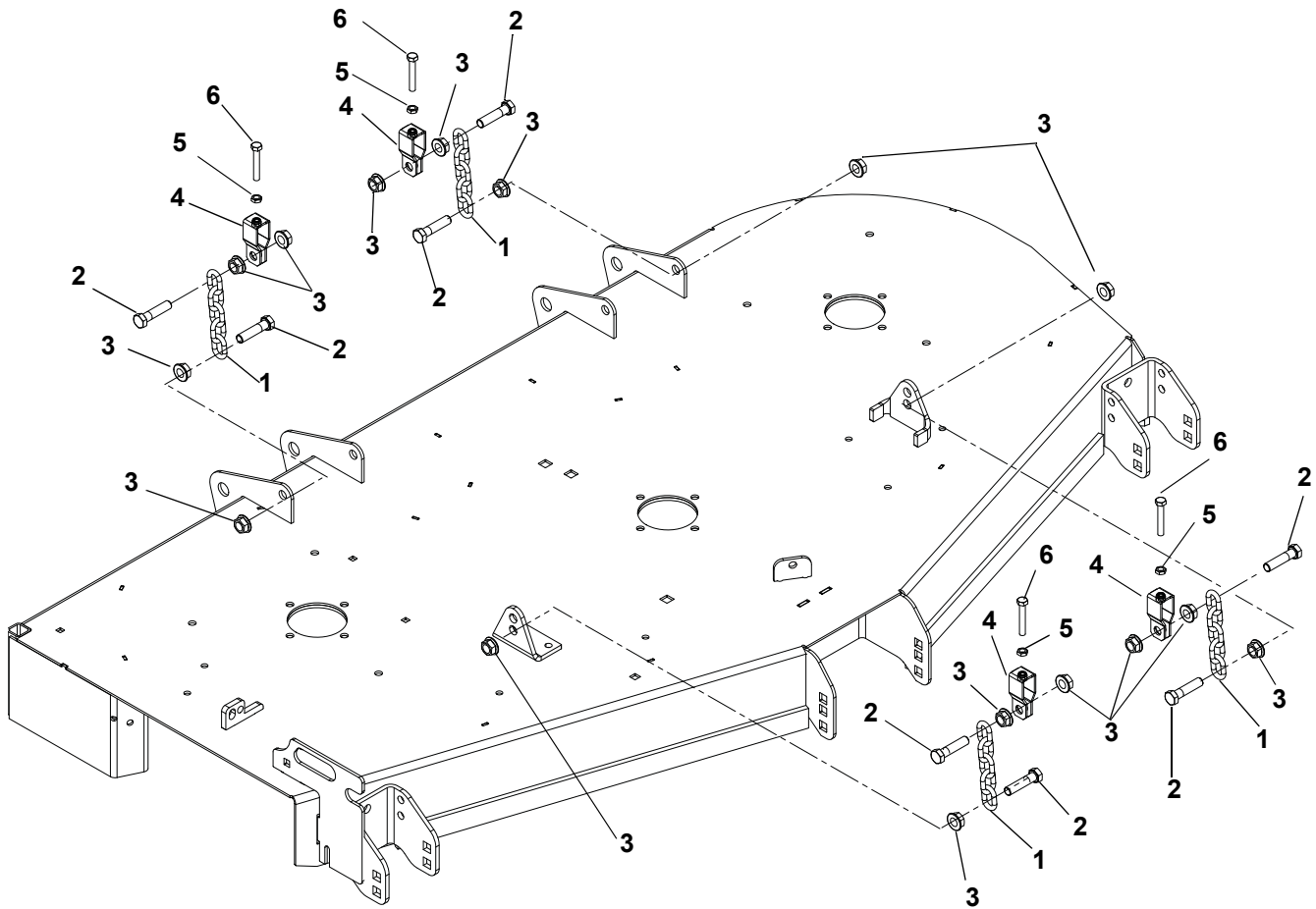
DECK, DISCHARGE CHUTE, ANTI-SCALP ROLLERS, & BELT COVERS

Models 991090, 091, 082, 083, 084, 098, 099, 100, 101

Item	Part No.	Qty.	Description
1	59102300	1	Kit, Deck, 60" with Safety Decals (991084, 091, 101)
	59102400	1	Kit, Deck, 52" with Safety Decals (991083, 100)
	59102500	1	Kit, Deck, 48" with Safety Decals (991082, 099)
	59102600	1	Kit, Deck, 44" with Safety Decals (991090, 098)
2	07001525	6	Nut, Heavy Hex .38-16
3	03982253	1	Guard, 60" Spindle Sheave Right Hand (991084, 091, 101)
	04051253	1	Guard, 48"-52" Spindle Sheave Guard Right Hand (991082, 083, 090, 098, 099, 100)
4	03977253	1	Guard, 60" Spindle Sheave Left Hand (991084, 091, 101)
	03977153	1	Guard, 52" Spindle Sheave Left Hand (991082, 083, 090, 098, 099, 100)
5	06545500	5	Nut .38-16 Nyloc Flange
6	06500010	4	Nut .50-13 Nyloc Flange
7	03905900	5	Anti-Scalp Wheel (991082, 099)
	03905900	6	Anti-Scalp Wheel (991083, 084, 090, 091, 098, 100, 101)
8	00473800	1	Spacer, Anti-Scalp Wheel (991082, 099)
	00473800	2	Spacer, Anti-Scalp Wheel (991083, 084, 090, 091, 098, 100, 101)
9	06225900	3	Bolt, Round Head Square Neck .50-13 x 5.00 (991082, 099)
	06225900	2	Bolt, Round Head Square Neck .50-13 x 5.00 (991083, 084, 090, 091, 098, 100, 101)
10	00473700	3	Spacer, .510 x .625 x 3.35 (991082, 099)
	00473700	2	Spacer, .510 x .625 x 3.35 (991083, 084, 090, 091, 098, 100, 101)
11	06206400	1	Bolt, Round Head Square Neck .50-13 x 8.50 (991082, 099)
	06206400	2	Bolt, Round Head Square Neck .50-13 x 8.50 (991083, 084, 090, 091, 098, 100, 101)
12	00980453	1	Weldment, 44" & 48" Discharge Chute Mounting (991082, 098, 099)
	00980553	1	Weldment, 52" – 60" Discharge Chute Mounting (991083, 084, 091, 100, 101)
13	04557853	1	Rubber Discharge Chute Support
14	06223600	2	Bolt, Round Head Square Neck .38-16 x 1.00 Grade 5
15	04551600	1	Chute, Rubber Discharge
16	05958000	6	Bolt, Hex .38-16 x 1.25 Grade 5
17	06224100	3	Bolt, Round Head Square Neck .38-16 x 1.25 Grade 5
18	05946800	1	Bolt, Hex .25-20 x .75 Grade 5 (991082, 090, 098, 099)
19	06534900	6	Nut, Flange .375-16
20	01593500	1	Pin, Spring Ball .375 OD x 1.50 (991082, 090, 098, 099)
21	06543500	1	Nut, Locking Top Flange .25-20 (991082, 090, 098, 099)
22	07000037	1	Pull Pin
23	06900321	1	Cable, 6.00 Lanyard – Nylon (991082, 090, 098, 099)
24	07500009	1	Bumper, Recessed 1.50 x .63 W/.31 Thru Hole
25	07414400	1	Screw, Tapping .31-18 x .75 Hex Washer Head

MOUNTING CHAINS

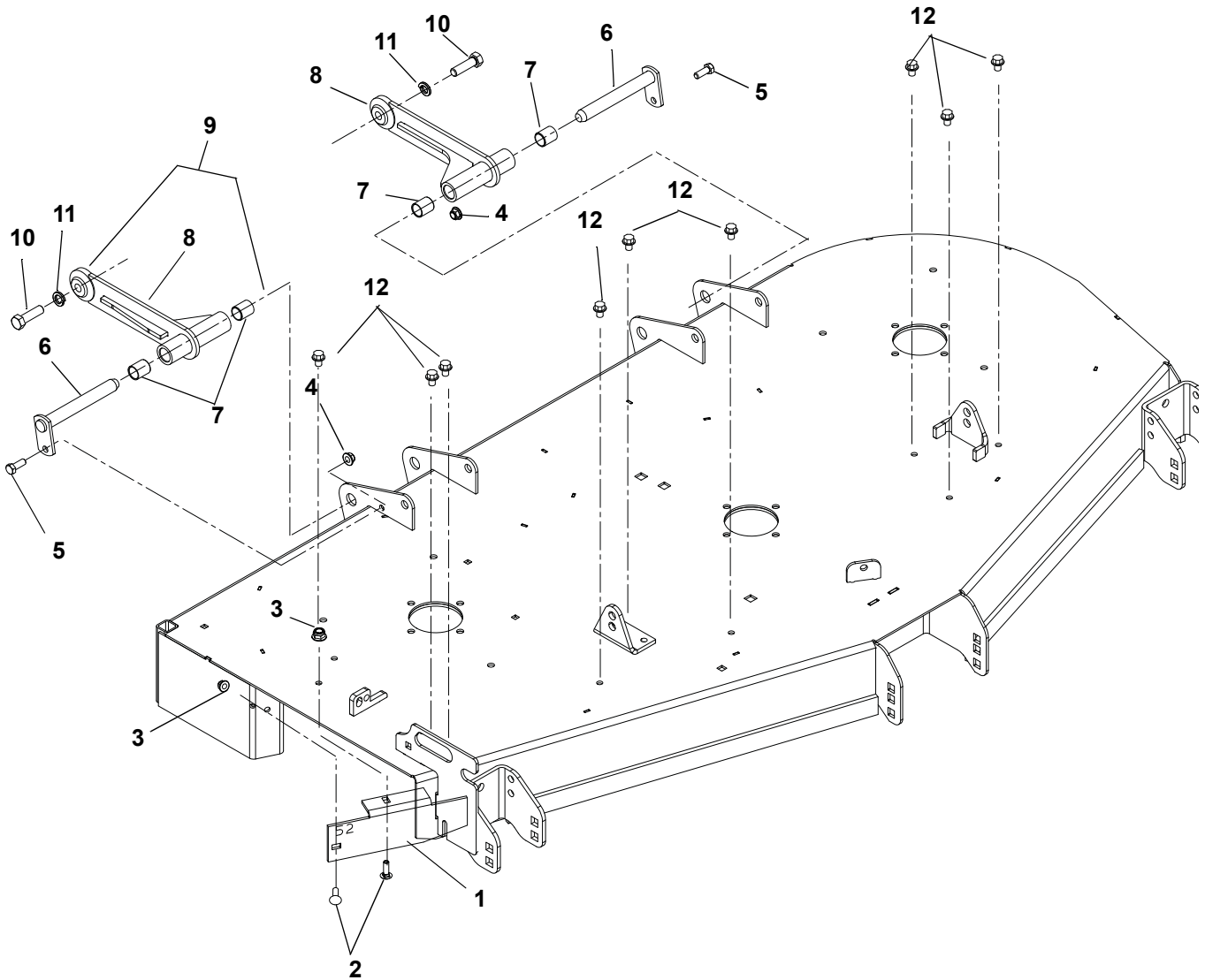
Models 991090, 091, 082, 083, 084, 098, 099, 100, 101



Item	Part No.	Qty.	Description
1	09284700	4	Chain, Link
2	05900022	8	Bolt, Hex M12-1.75 x 50 Class 8.8
3	06500003	16	Nut, Spin Lock Flange M12-1.75
4	00442800	4	Bracket, Deck Leveling
5	06536100	4	Nut, Jam .312-18
6	05980900	4	Bolt, Hex .312-18 x 2.00 FTH Grade 5

MOUNTING ARMS

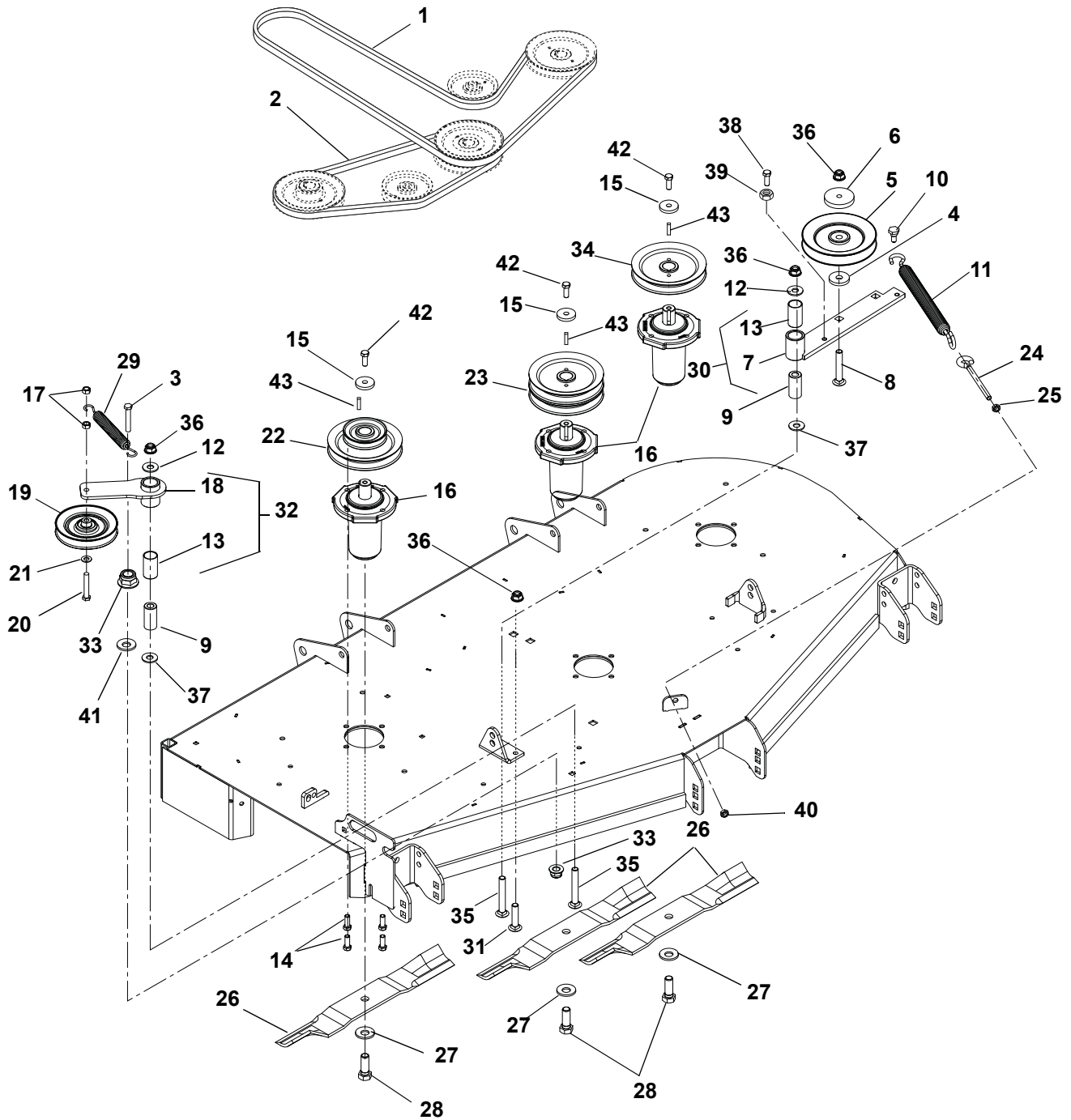
Models 991090, 091, 082, 083, 084, 098, 099, 100, 101



Item	Part No.	Qty.	Description
1	04389353	1	Discharge Baffle, 48" (991082, 090, 098, 099)
	04389553	1	Discharge Baffle, 60" (991084, 091, 101)
	04389453	1	Discharge Baffle, 52" (991083, 100)
2	06216100	2	Bolt, Round Head Square Neck .31-18 x 1.00 Grade 5
3	06545400	2	Nut, .31-18 Nyloc Flange
4	06545500	2	Nut, .38-16 Nyloc Flange
5	05948700	2	Bolt, Hex .38-16 x 1.00 Grade 5
6	09238900	2	Weldment, Mower Mounting Pin
7	05435900	4	Bearing, .75 x .875 x 1.00
8	02989151	2	Deck Pusher Arm Weldment
9	03251800	2	Assembly, Mower Mount Arm (Includes items 7 and 8)
10	05901436	2	Bolt, Hex .50-13 x 1.75 Grade 5 EP80
11	06307300	2	Washer, Locking .50 x .125 Regular
12	07412900	9	Screw, Tapping .38-16 x .50 Hex Washer Head

BELTS, SPINDLES, IDLERS AND MOWER BLADES – 52” & 60”

Models 991091, 083, 084, 100, 101



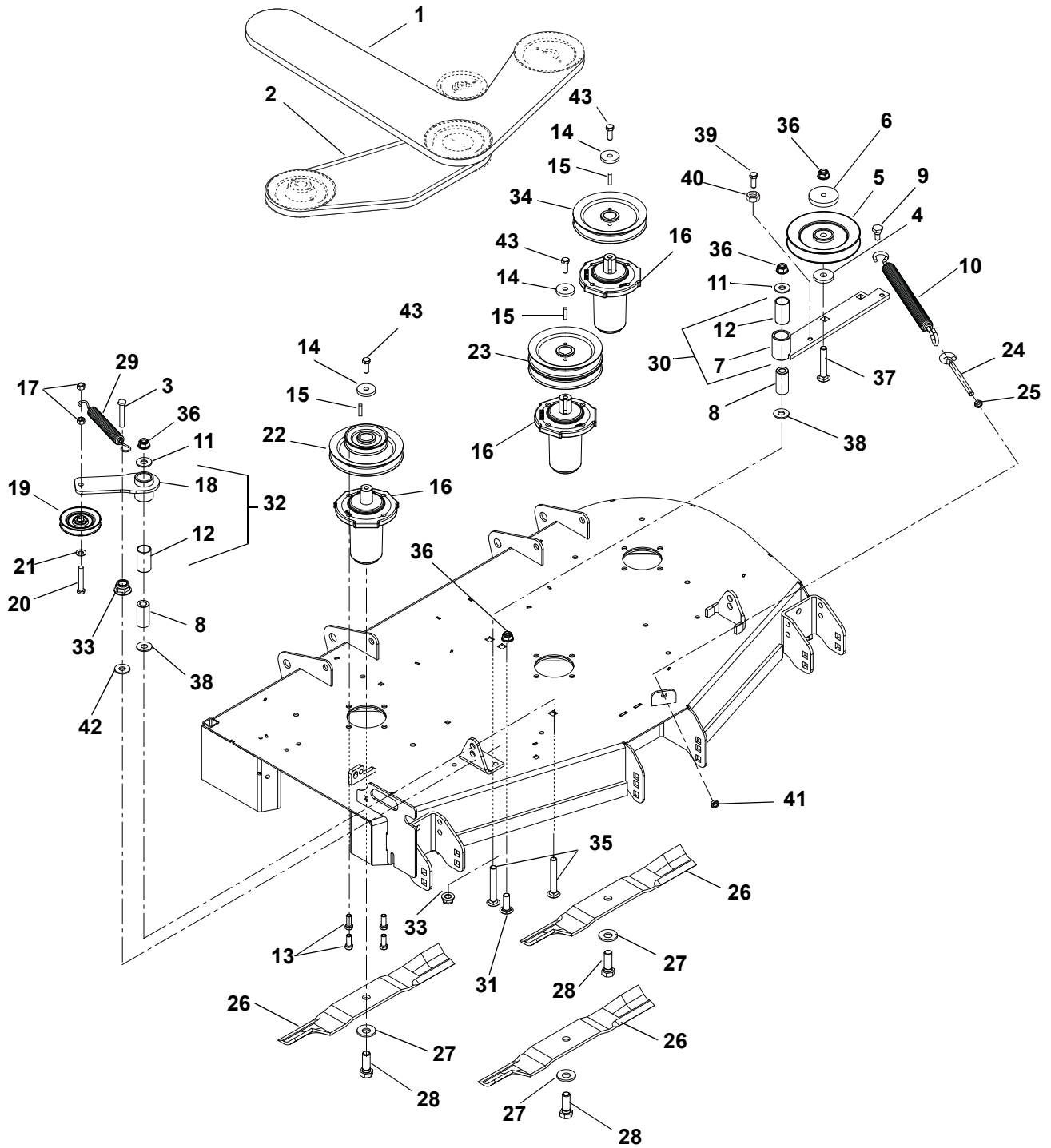
BELTS, SPINDLES, IDLERS AND MOWER BLADES – 52” & 60”

Models 991091, 083, 084, 100, 101

Item	Part No.	Qty.	Description
1	07200028	1	Belt, BB 130.00 Wrapped Hex (991091, 084, 101)
	07200026	1	Belt, BB 120.50 Wrapped Hex (991083, 100)
2	07200038	1	Belt, B 63.00 Raw Cogged (991091, 084, 101)
	07200036	1	Belt, B 56.00 Raw Cogged (991083, 100)
3	05957800	1	Bolt, Hex .38-16 x 3.00 Grade 5
4	05500905	1	Bushing, Spacer .502 x .997 x .50
5	07300527	1	Sheave, .50" ID x 6.00" OD V-Idler
6	00450100	1	Cap, Idler Bearing Sealing
7	03774251	AR	Idler Pivot Arm Weldment – Black
8	06224900	1	Bolt, Round Head Square Neck .50-13 x 3.00 Grade 5
9	01581700	2	Bearing, Pedestal
10	07000034	1	Bolt, Shoulder EP .38-16 x .30 Hex
11	08300505	1	Spring, Extension (Deck Idler)
12	06442000	2	Washer, Flat Steel .563 x 1.38 x .109
13	05500123	AR	Bushing, 1.00 x 1.125 x 1.936
14	05900013	12	Bolt, Hex .38-16 x 1.00
15	04530500	3	Retainer, Sheave
16	59215400	3	Spindle Assembly
17	06529600	2	Nut, Locking Center .38-16
18	03774151	1	Idler, Pivot Arm
19	07340100	1	Idler, V 5.00"
20	05962900	1	Bolt, Hex .38-16 x 2.25
21	06436200	1	Washer, Flat Steel .406 x .812 x .065
22	07329167	1	Sheave, Double 1.0' ID x 6.75" x 4.35" OD (991091, 084, 101)
	07332267	1	Sheave, 1" ID x 6.00" OD and 3.50" OD (991083, 100)
23	07328867	1	Sheave, Double 1" ID x 6.75" OD (991091, 084, 101)
	07332367	1	Sheave, Double 1" ID x 6.00" OD (991083, 100)
24	07000030	1	Bolt, .38-16 x 4.00 .62 Diameter Eye
25	06535900	1	Nut, Hex Jam .375-16
26	03253900	3	Blade, 20.5" (991084, 101)
	03253800	3	Blade, 18" (991083, 100)
27	06445700	3	Washer, Bellville .63 x 1.625 x .14
28	05978900	3	Bolt, Hex .62-18 x 1.75 Grade 8
29	08300507	1	Spring, Extension
30	03796300	1	Assembly, PTO Idler Pivot Arm (Includes item 7 and item 13)
31	06200006	1	Bolt, Round Head Square Neck .50-13 x 1.5, Full Thread, Grade 5
32	03796400	1	Assembly, Idler Pivot Arm (Includes item 13 and item 18)
33	06534900	2	Nut, Spin Lock-Flange .375-16
34	07328967	1	Sheave, Single 1" ID x 6.75" OD (991091, 084, 101)
	07332167	1	Sheave, Single 1" ID x 6.00" OD (991083, 100)
35	06225000	2	Bolt, Round Head Square Neck .50-13 x 3.50 Grade 5
36	06500010	4	Nut .50-13 Nyloc Flange
37	06400829	2	Washer, Flat .640 x 1.75 x .250
38	05961400	1	Bolt, Hex .38-16 x 2.75 Grade 5
39	06529400	1	Nut, Hex .38-16
40	06537200	1	Nut, Locking Center Jam .375-16
41	06442400	1	Washer, Flat Steel .406 x 1.375 x .135 YZ
42	05963000	3	Bolt, Hex .38-16 x 2.75 Grade 8
43	06611200	3	Key, Square .25 x .25 x 1.00

BELTS, SPINDLES, IDLERS AND BLADES – 44” & 48”

Models 991082, 090, 098, 099



BELTS, SPINDLES, IDLERS AND BLADES – 44” & 48”

Models 991082, 090, 098, 099

Item	Part No.	Qty.	Description
1	07200025	1	Belt, BB 114.50 Wrapped Hex (PTO Belt) (991082, 099)
	07200026	1	Belt, BB 120.50 Wrapped Hex (PTO Belt) (991090, 098)
2	07200035	1	Belt, B 51.18 Raw Cogged (Deck Belt)
3	05957800	1	Bolt, Hex .38-16 x 3.00 Grade 5
4	05500905	1	Bushing, Spacer .502 x .997 x .50
5	07300527	1	Sheave, .50" ID x 6.00" OD V-Idler
6	00450100	1	Cap, Idler Bearing Sealing
7	03774251	AR	Idler Pivot Arm Weldment – Black
8	01581700	2	Bushing, Spacer .505/.500 x .999/.996 x 2.05/2.03
9	07000034	1	Bolt, Shoulder EP .38-16 x .30 Hex
10	08300505	1	Spring, Extension (PTO Deck Idler)
11	06442000	2	Washer, Flat Steel .563 x 1.38 x .109
12	05500123	AR	Bushing, 1.00 x 1.125 x 1.936
13	05900013	12	Bolt, Hex .38-16 x 1.00
14	04530500	3	Retainer, Sheave
15	06611200	3	Key, Square .25 x .25 x 1 RC 40-50
16	59215400	3	Spindle Assembly
17	06529600	2	Nut, Locking Center .38-16
18	03774151	1	Idler, Pivot Arm
19	07340100	1	Idler, V 5.00"
20	05962900	1	Bolt, Hex .38-16 x 2.25
21	06436200	1	Washer, Flat Steel .406 x .812 x .065
22	07329467	1	Pulley, Double 1" ID x 5.75" & 3.50" OD
23	07329267	1	Pulley, Double 1" ID x 5.75" OD
24	07000030	1	Bolt, .38-16 x 4.00 .62 Diameter Eye
25	06535900	2	Nut, Hex Jam .375-16
26	00450200	3	Blade, 16.19" Mower
27	06445700	3	Washer, Bellville .63 x 1.625 x .14
28	05978900	3	Bolt, Hex .62-18 x 1.75 Grade 8
29	08300507	1	Spring, Extension (Deck Belt Idler)
30	03796300	1	Assembly, PTO Idler Pivot Arm (Includes item 7 and item 12)
31	06200006	1	Bolt, Round Head Square Neck .50-13 x 1.5, Full Thread, Grade 5
32	03796400	1	Assembly, Idler Pivot Arm (Includes item 12 and item 18)
33	06534900	2	Nut, Spin Lock-Flange .375-16
34	07329367	1	Sheave, Single 1.0" ID x 5.75" OD
35	06225000	2	Bolt, Round Head Square Neck .50-13 x 3.50
36	06500010	4	Nut .50-13 Nyloc Flange
37	06224900	1	Bolt, Round Head Square Neck .50-13 x 3.00 Grade 5
38	06400829	2	Washer, Flat .640 x 1.75 x .250
39	05961400	1	Bolt, Hex .38-16 x 2.75 Grade 5
40	06529400	1	Nut, Hex .38-16
41	06537200	1	Nut, Locking Center Jam .375-16
42	06442400	1	Washer, Flat Steel .406 x 1.375 x .135 YZ
43	05963000	3	Bolt, Hex .38-16 x 2.75 Grade 8



GRAVELY
655 West Ryan Street
Brillion, WI 54110
920-756-4688
Fax 920-756-2407
www.gravelly.com

An *Ariens* Company Brand