



**GRAVELY ESTATE MOWER
POWER UNIT
ILLUSTRATED PARTS LIST**

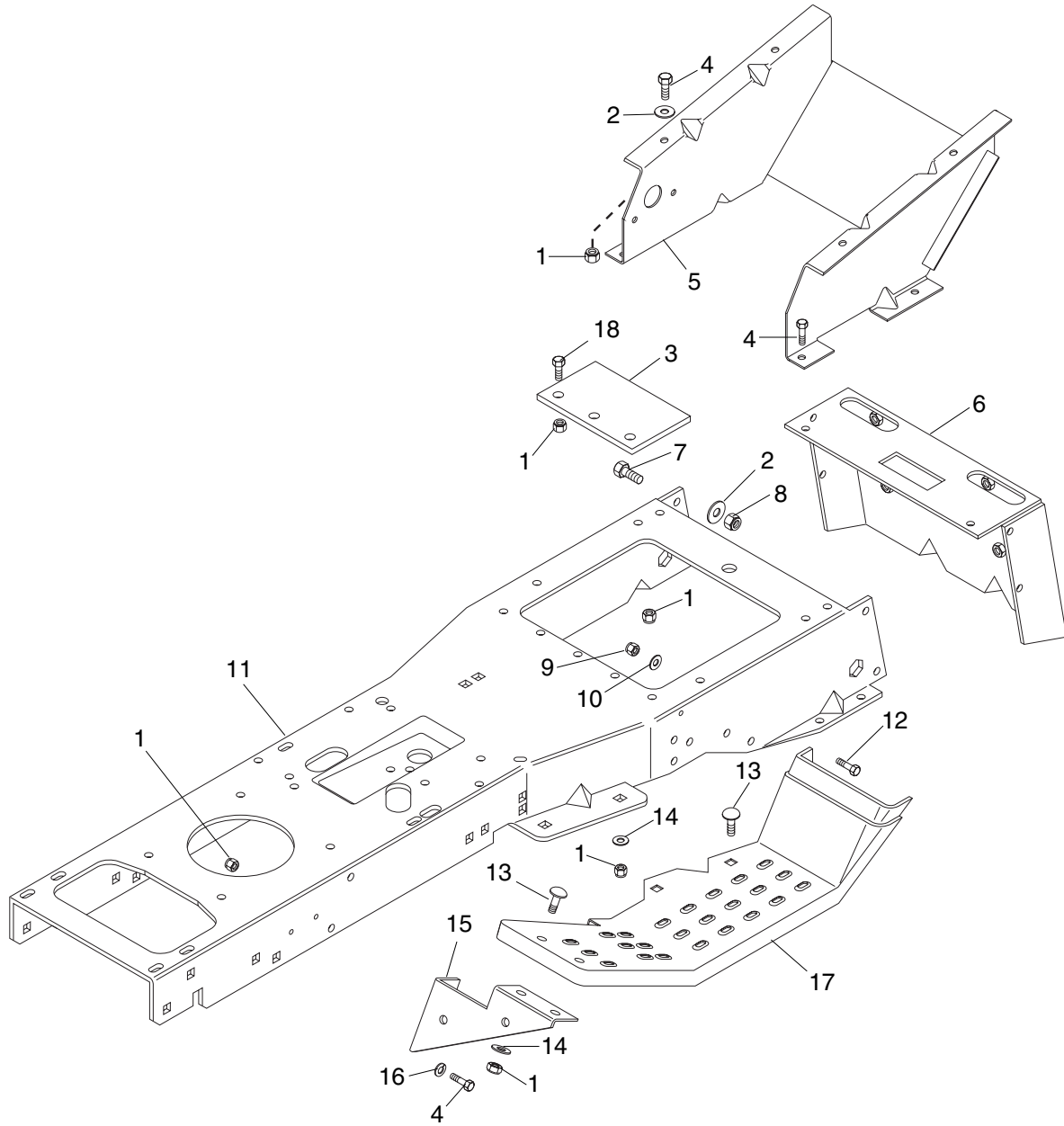
TO CONTINUE ITS PROGRAM OF QUALITY AND DESIGN IMPROVEMENTS, THE MANUFACTURER RESERVES THE RIGHT TO CHANGE SPECIFICATIONS, DESIGNS AND PRICES WITHOUT NOTICE AND WITHOUT INCURRING OBLIGATION. THE MANUFACTURER ALSO RESERVES THE RIGHT TO SHIP WITHOUT NOTICE AND WITHOUT INCURRING OBLIGATION.



TABLE OF CONTENTS

Frame.....	1
Hood and Grille.....	3
Seat and Rear Deck.....	5
Steering.....	7
Front Axle.....	9
Brake Linkage.....	11
Hydrostatic Drive.....	13
Speed Selector.....	15
Neutralizer.....	17
Main Drive.....	19
PTO.....	21
Lift System.....	23
Engine, Fuel and Exhaust System.....	25
Electrical System.....	27

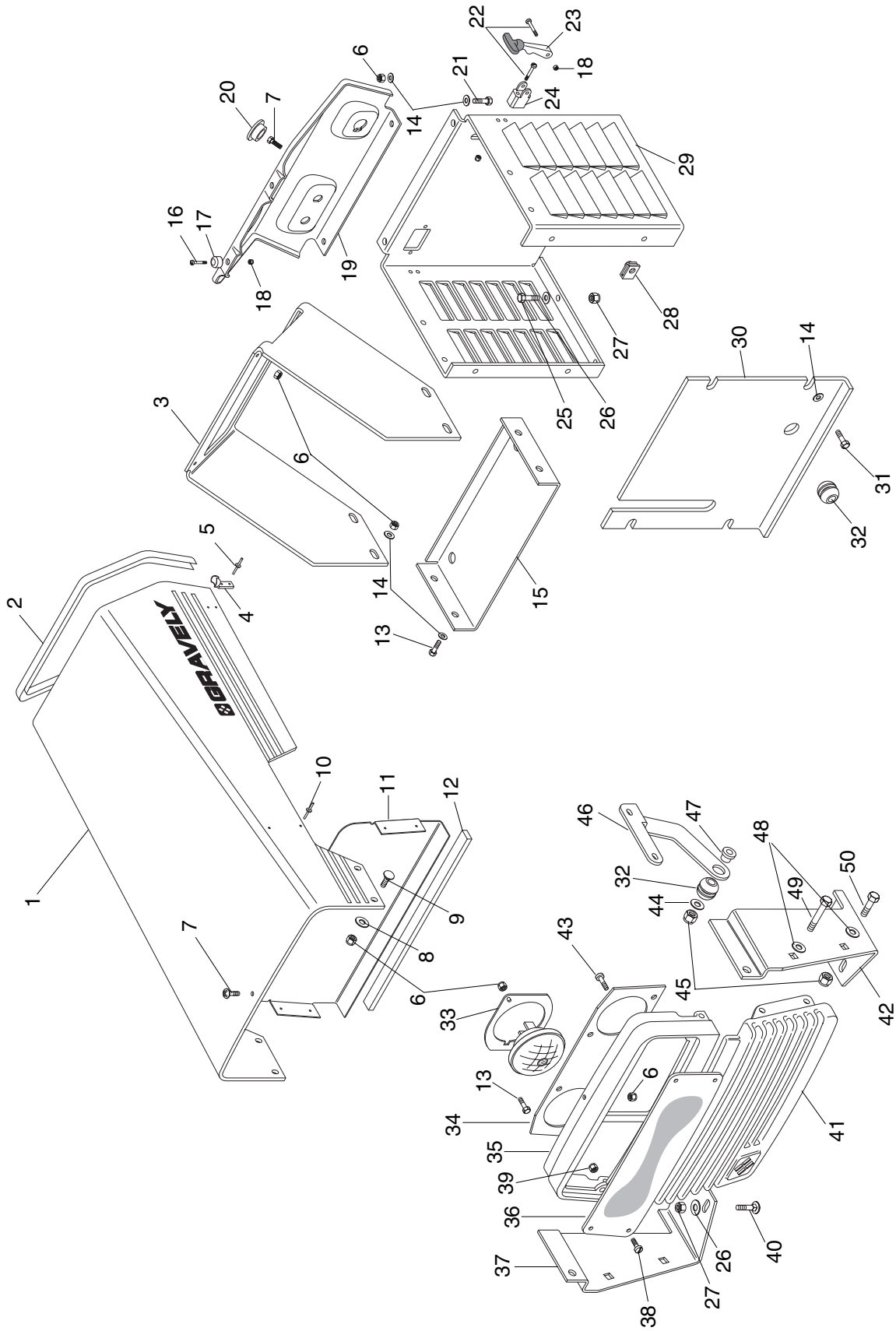
Frame



Frame

ITEM NO.	OLD PART NO.	NEW PART NO.	DESCRIPTION	QTY
1	419455	06506200	Nut-Lk-Nyl .312 - 18 PI	23
2	446470	06425500	Washer, Flt .375 x 1.125 x .065	12
3	034973	03497300	Support Plate	1
4	062003	06200300	Blt-Rdhdsqnk .38-16 x 1.75 PI	12
5	036176	03617600	Torque Strap - R	1
6	049363	03448900	Tailboard	1
7	180121	05932600	Blt-Hex .380 - 16 x .875	6
8	456004	06513500	Nut-Lk-Nyl .375 - 16 PI	6
9	419454	06506600	Nut-Lk-Nyl .250 - 20 PI	2
10	120392	06424900	Wshr-FI-Stl .281 x .625 x .065	2
11	051387	03345700	Frame	1
12	180020	05908200	Blt-Hex .25-20 x .75 PI Gr 5	2
13	126358	06217200	Blt-Carriage .31-18 x 1.0	8
14	120393	06429200	Wshr-FI -Stl .344 x .688 x .065	8
15	036102	03610200	L. Foot Rest Brace	1
	036103	03610300	R. Foot Rest Brace	1
16	446354	06430700	Wshr-FI-Stl .313 x .875 x .065	4
17	036051	03605100	Footrest LH	1
	036050	03605000	Footrest RH	1
18	180077	05913500	Blt-Hex .31-18 x .75 PI Gr 5	3
NS	050680	07768300	Decal - Trans Lock Out	1
NS	052625	07820500	Decal - Caution	1

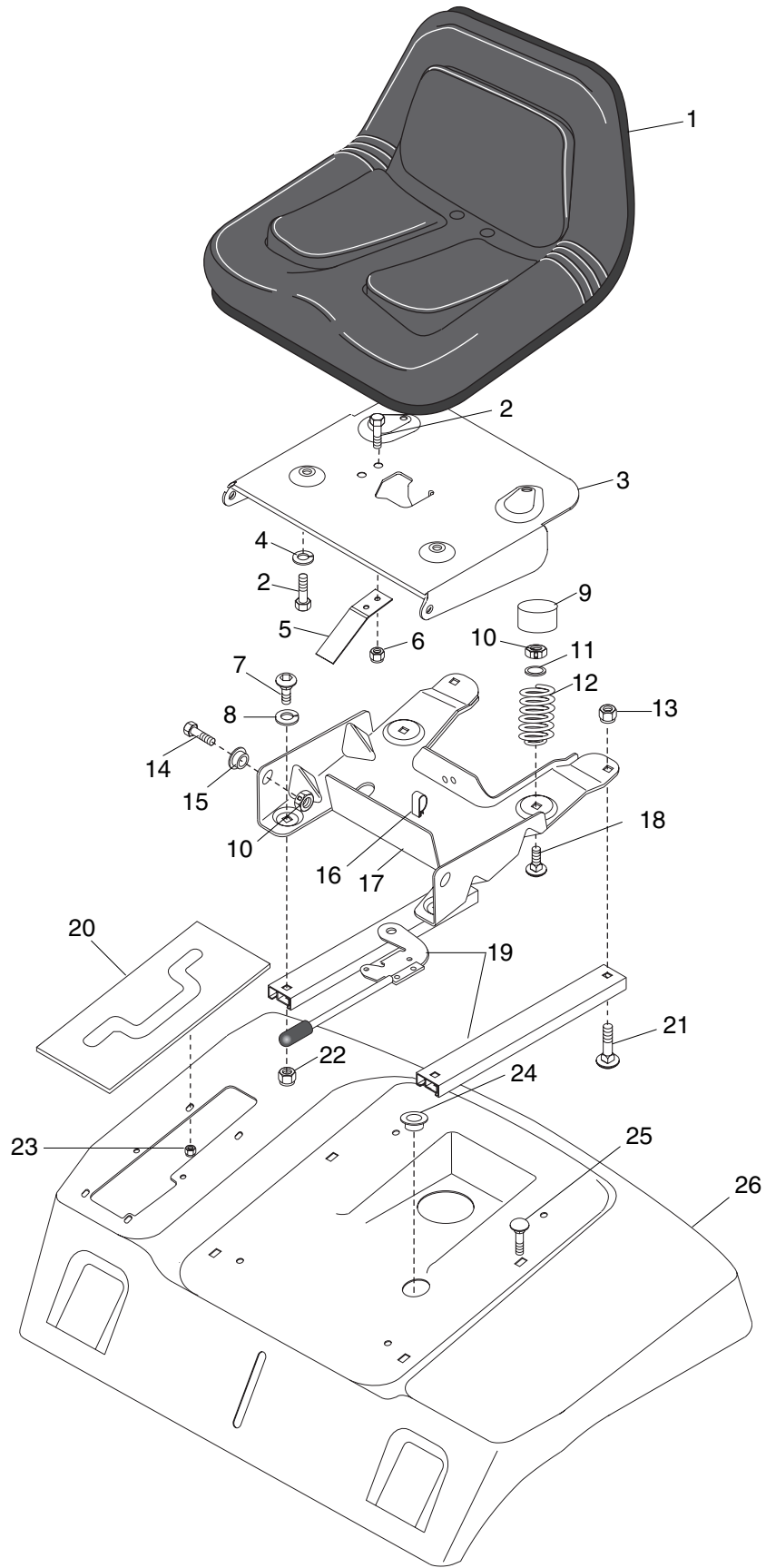
Hood and Grille



Hood and Grille

ITEM NO.	OLD PART NO.	NEW PART NO.	DESCRIPTION	QTY
1	051163	03495200	Hood Silkscreen 16 HP Gem	1
2	046424	00922700	Strip, Cowl	3 Ft.
3	047651	03492900	Bracket, Support	1
4	050505	03494500	Keeper	2
5	032661	06807400	Rvt .125 x .245	2
6	419454	06506600	Nut-Lk-Nyl .250-20 PI	21
7	160541	06113500	Scr-Mch .25-20 Pan Hd	5
8	422845	06425900	Wshr-Flat .281 x .625 x .065	4
9	120518	06201200	Blt-Rdhdsqnk .25-20 x .75	4
10	011884	06807300	Rvt-Pop .125 x .232	4
11	051410	03495400	Baffle	1
12	051532	03496200	Pad, Baffle	1
13	180022	05908300	Blt-Hex .25-20 x 1.00 PI Gr 5	8
14	120392	06424900	Wshr-FI-Stl .281 x .625 x .065	16
15	047648	03492000	Battery Support	1
16	159341	06110700	Scr-Mch 6-32 x .625	2
17	018183	07017400	Bumper	2
18	427254	06521100	Nut-Lk-Mch 6-32 w/insert	8
19	051534	03495100	Dash Silkscreen 16 HP	1
20	010174	05518400	Bshg-Flg .762 x 1.0 x .580 x 1.48 Ny	1
21	180018	05932000	Blt-Hex .25-20 x .63	2
22	159358	06110800	Scr-Mch 6-32 x 1.00	6
23	050504	07519700	Latch, Flexible Draw	2
24	047675	07519600	Block, Tie Down	2
25	180079	05918100	Blt-Hex .31-18 x 1.00 PI Gr 5	4
26	120393	06429200	Wshr-FI-Stl .344 x .688 x .065	8
27	419455	06506200	Nut-Lk-Nyl .312-18 PI	8
28	032369	07009000	Nut-Rtnr .25-20 x .56	4
29	050671	03492200	Dash Tower - Silkscreen	1
30	047669	03494400	Cover, Hydraulic Tank	1
31	180020	05908200	Blt-Hex .25-20 x .75 PI Gr 5	4
32	035518	07504200	Grommet	3
33	039070	03115900	Head Light Retainer Ring	2
34	038672	03067000	Panel, Headlight Reflector	1
35	038673	03066800	Bezel, Headlight	1
36	038671	03066900	Panel, Headlight Lens	1
37	051540	03495500	Bracket	1
38	159947	06111200	Scr-Mch 10-24 x .750 Phd	4
39	190254	06506500	Nut-Lk 10-24 Ny PI	4
40	126358	06217200	Blt-Carriage .31-18 x 1.0	4
41	039831	03493700	Grill	1
42	047610	03495700	Bracket LH	1
43	045207	07405200	Scr-Tap .25-20 x .50 Hxslhdpl	2
44	120388	06428800	Wshr-FI-Stl .438 x 1.000 x .083	2
45	456004	06513500	Nut-Lk-Nyl .375-16 PI	4
46	039047	03118600	L.H. Hood Hinge	1
	039049	03118500	R.H. Hood Hinge	1
47	036849	03114500	Spacer	2
48	120394	06404300	Wshr-FI-Stl .406 x .812 x .065 PI	4
49	180130	05914700	Blt-Hex .38-16 x 2.00 PI Gr 5	2
50	180124	05913300	Blt-Hex .38-16 x 1.25 PI Gr 5	2

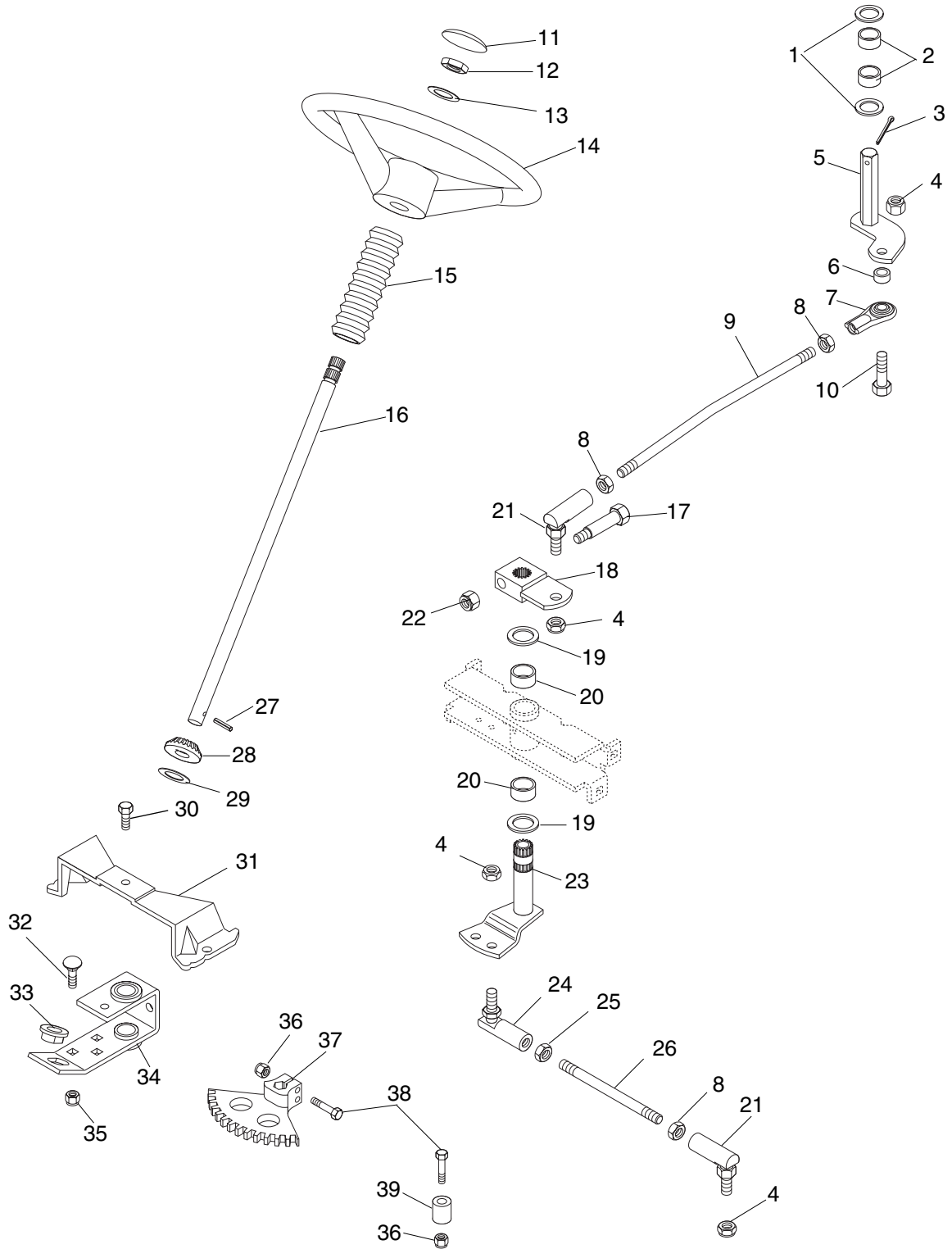
Seat and Rear Deck



Seat and Rear Deck

ITEM NO.	OLD PART NO.	NEW PART NO.	DESCRIPTION	QTY
1	048918	03486500	Seat, High Back	1
2	05902200	05902200	Blt-Hex .31-18 x .75 PI Gr 2	6
3	03619151	03619151	Seat Pivot Plate	1
4	06300300	06300300	Wshr-Lock .312 10 Heavy PI	4
5	03616700	03616700	Spring Plate	1
6	06507800	06507800	Nut-Fig .312-18 PI	2
7	07008100	07008100	Scr-Cap Bthd .31-18 x .50	2
8	06303200	06303200	Wshr-Lock Ext .313 x .030 PI	2
9	07521600	07521600	Tube Cap	2
10	06504200	06504200	Nut-Lk .312-18 Gr A PI	4
11	06412300	06412300	Wshr-FI-Stl .34 x .68 x .065 PI	2
12	08328900	08328900	Sp-Comp .148 x 1.23 x 2.41 Wld 87	2
13	06506200	06506200	Nut-Lk-Nyl .312-18 PI	2
14	05913500	05913500	Blt-Hex .31-18 x .75 PI Gr 5	2
15	05516200	05516200	Bshg Flange .325 x .685 x .465	2
16	07510700	07510700	Wire Clip	1
17	03618100	03618100	Seat Box	1
18	06204100	06504100	Blt-Carr .312-18 x .75	2
19	03600800	03600800	Seat Slides Rame Tak 3010-4	1
20	03450000	03450000	Insert	1
21	06203100	06203100	Blt-Rdhd Sqnk .31-18 x 1.0 Sht PI	2
22	06501500	06501500	Nut-Hex .312-18	2
23	07008000	07008000	Nut-Self-Thdng Fits .25 Stud PI	4
24	07521000	07521000	Snap Bushing	3
25	06203300	06203300	Blt-Rdgdsqnk .312-18 x .62 Sht PI	4
26	03498753	03498753	Rear Deck F/TI	1

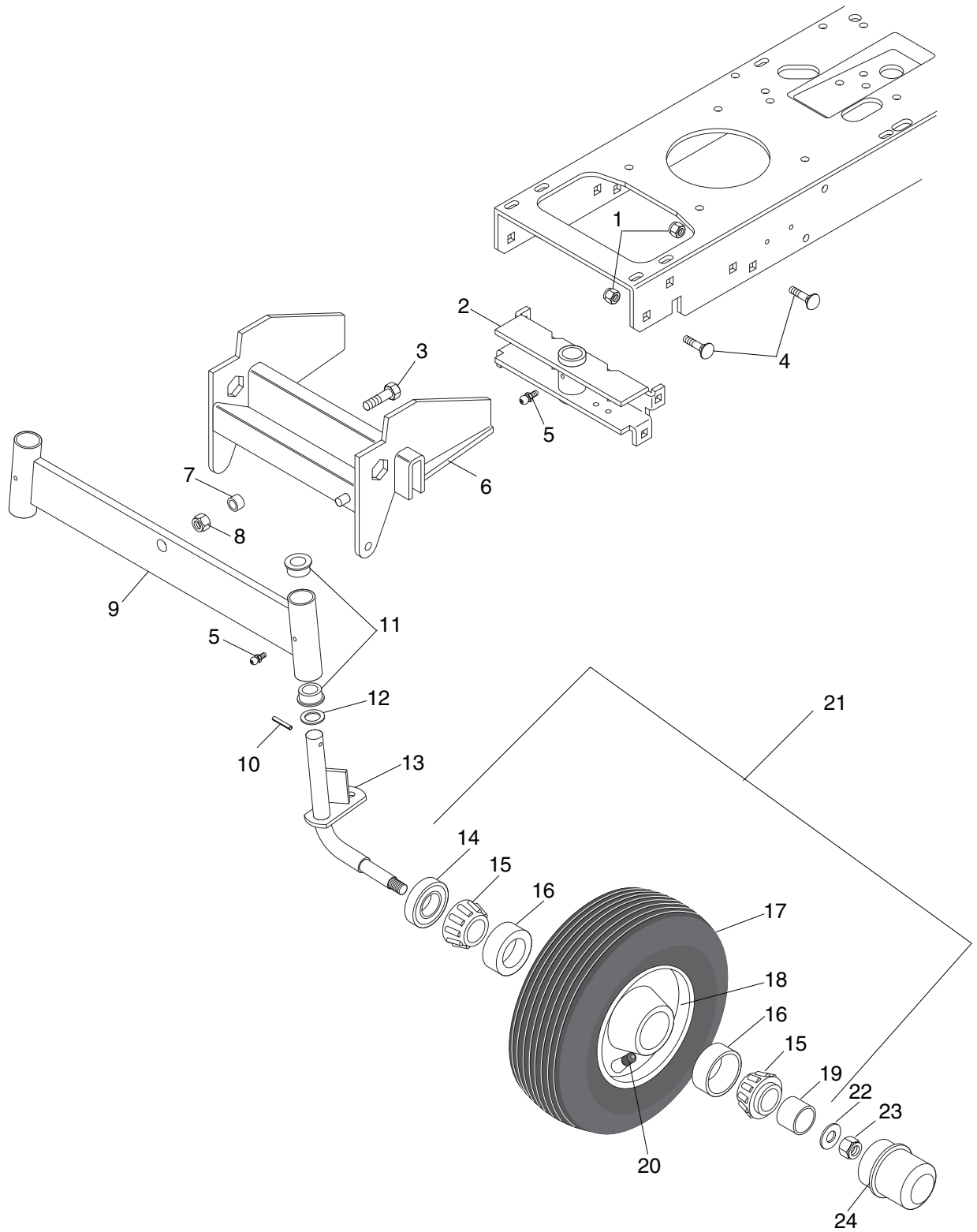
Steering



Steering

ITEM NO.	OLD PART NO.	NEW PART NO.	DESCRIPTION	QTY
1	021541	06426100	Wshr-Thrst .877 x 1.427 x .032	4
2	036149	05508300	Bshg-Slv .750 x 1.000 x .750 Hx Sb	2
3	187988	06706300	Pin-Cotr .188 x 1.25	1
4	011835	06512100	Nut-Lk .50-20 PI	6
5	050173	03451000	Arm & Shaft	1
6	050351	00211100	Spacer	1
7	050350	03461700	Rod End	1
8	124934	06504400	Nut-Jam .50-20 PI	4
9	050172	03451400	Steering Link	1
10	181702	05928400	Blt-Hex .50-20 x 1.75 PI Gr 5	1
11	031426	03489800	Steering Wheel Cap	1
12	124847	06514100	Nut-Jam .625-11 PI	1
13	131016	06400400	Wshr-FI-Stl .656 x 1.312 x .095 PI	1
14	024490	03496100	Steering Wheel	1
15	047311	08739200	Steering Column Boot	1
16	047676	03491800	Steering Column	1
17	044828	03058500	Lock Bolt	1
18	050171	03450900	Arm	1
19	039649	07506700	Plastic Washer	2
20	039648	05509100	Bshg-Slv 1.000 x 1.125 x .875	2
21	036162	03498600	Ball Joint 75	3
22	435507	06512900	Nut-Lk-Nyl .50-13 PI	1
23	050170	03450700	Steering Pivot	1
24	050168	21374200	Ball Joint, L.H. 150	2
25	428172	06510500	Nut-Jam .50-20 LH Thd PI	2
26	050169	03457800	Tie Rod	2
27	453670	05808900	Pin, Spring 1/4 x 1 1/8	1
28	036145	02902100	Pinion Gear-Steering	1
29	006742	06431900	Wshr-Thrst .752 x 1.240 x .062 Hdn	1
30	180122	05914500	Blt-Hex .38-16 x 1.00 PI Gr 5	1
31	048591	03491900	Steering Support Brace	1
32	120915	06202900	Blt-Rdhdsqnk .38-16 x 1.0 PI	3
33	036142	05508000	Bshg-Flg .750 x 1.093 x .625 x 1.375	1
34	036137	03507800	Steering Bracket	1
35	456004	06513500	Nut-Lk-Nyl .375-16 PI	4
36	419455	06506200	Nut-Lk-Nyl .312-18 PI	4
37	036147	02901900	Steering Bevel Gear	1
38	180085	05912800	Blt-Hex .31-18 x 1.75 Gr 5	4
39	050232	03418600	Spacer	2

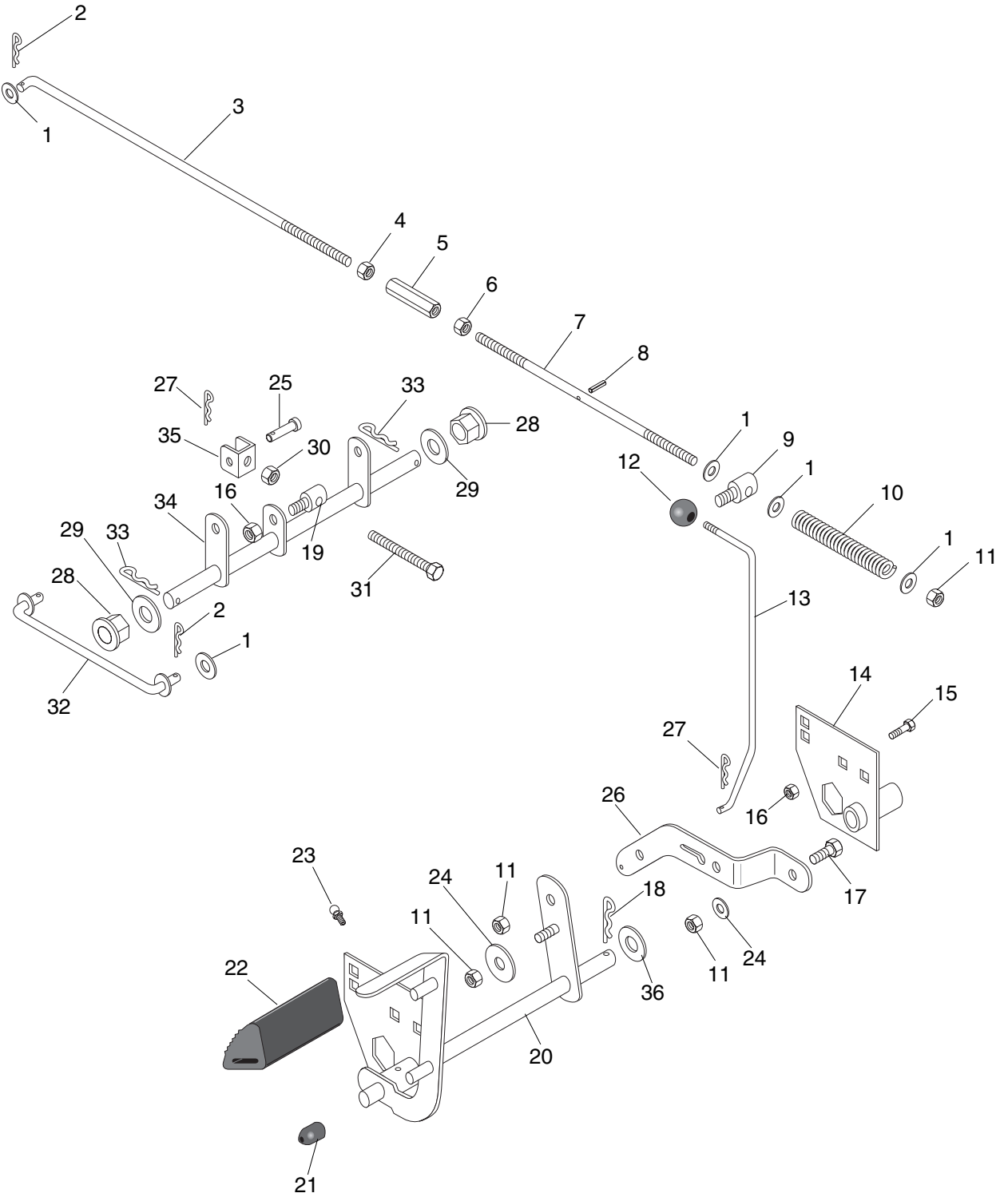
Front Axle



Front Axle

ITEM NO.	OLD PART NO.	NEW PART NO.	DESCRIPTION	QTY
1	456004	06513500	Nut-Lk-Nyl .375-16 PI	10
2	050174	03450800	Pivot Channel	1
3	180177	05920000	Blt-Hex .50-13 x 1.50 PI Gr 5	1
4	120915	06202900	Blt-Rdhdsqnk .38-16 x 1.0 PI	10
5	036160	03459000	Spin Drive Zerk Fitting	3
6	050175	03451300	Front Axle Support	1
7	036132	03503200	Spacer	1
8	435507	06512900	Nut-Lk-Nyl .50-13 PI	1
9	048564	03487800	Front Axle	1
10	413315	05808500	Scr-Skh .31-18 x 1.00	2
11	050176	05510600	Bshg-Flg 1.000 x 1.25 x .75 x 1.50	4
12	017959	06426500	Wshr-Thrst 1.55 x 1.002 x .093	2
13	052219	03487900	King Pin LH	1
	052218	03488000	King Pin RH	1
14	018447	05613200	Seal 1.206 x 1.785 x .486	2
15	018446	05404500	Brg-Cone .750 x .61	4
16	018445	05404400	Brg-Cup 1.781 x .475	4
17	048923	07122000	Tire, Front 16 x 6.50-8	2
18	048925	07126700	Weldment, Rim	2
19	018448	03495900	Spacer	2
20	011191	07520000	Valve Stem Ass'y	2
21	018442	21119100	Whl, Asm Front 400 & 800	2
22	131017	06426000	Wshr-Flat .812 x 1.469 x .134	2
23	418692	06515800	Nut-Lk-Nyl .625-11 PI	2
24	018449	03496000	Dust Cap	2

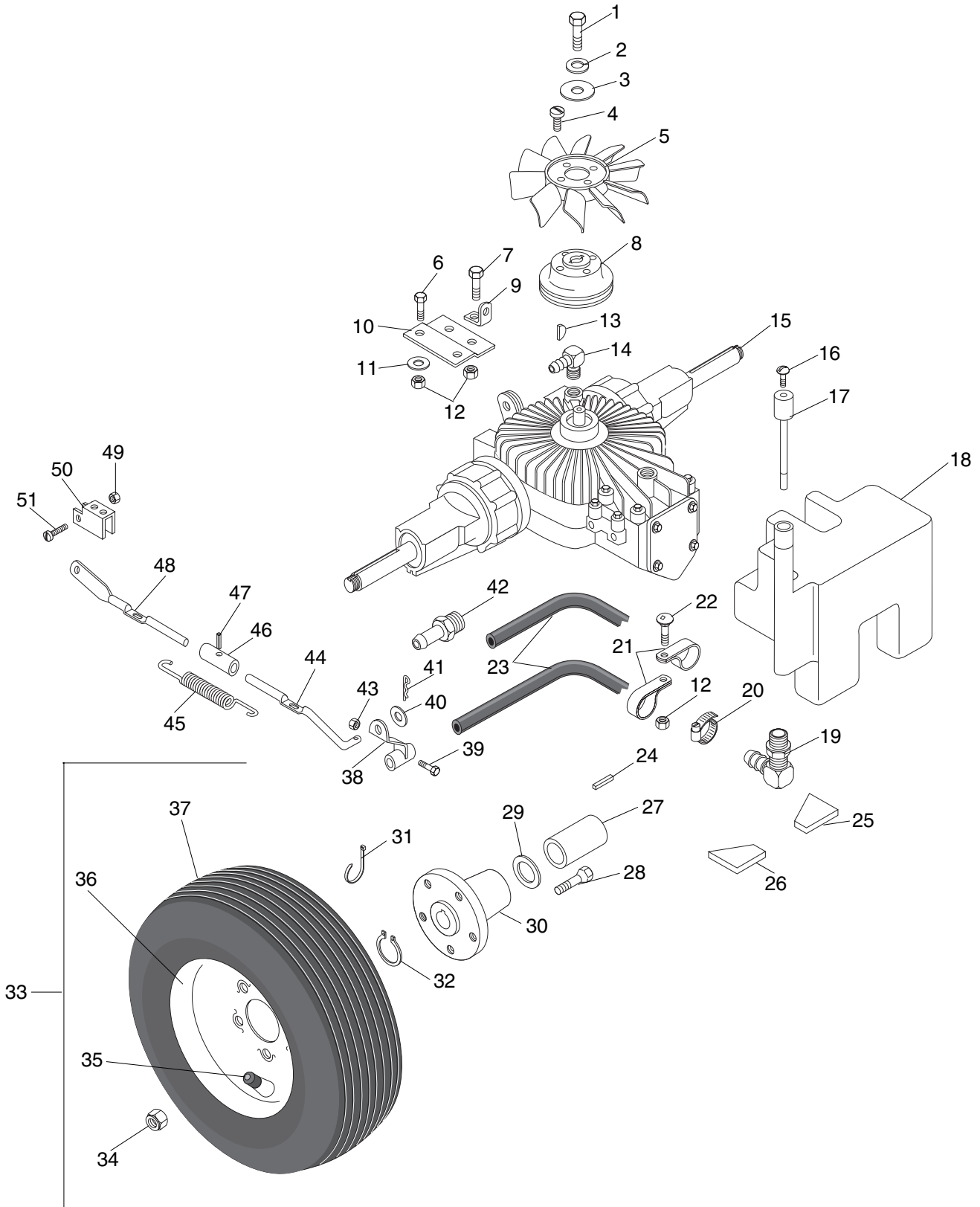
Brake Linkage



Brake Linkage

ITEM NO.	OLD PART NO.	NEW PART NO.	DESCRIPTION	QTY
1	120394	06404300	Wshr-FI-Stl .406 x .812 x .065 PI	6
2	121222	06700100	Pin Cotr .09 x .75 PI	3
3	050177	03449400	Brake Rod	1
4	045362	06517100	Nut Lh Thd .375-16 Gr 2 PI	1
5	045361	06515500	Nut-Cuplg RH & HL Thd .37-16 PI	1
6	120377	06501800	Nut-Hex .375-16	1
7	050178	03453600	Brake Rod	1
8	415236	05808600	Pin, Spring .125 x .750	1
9	050179	03448700	Pivot	1
10	045367	08324800	Sg-Comp .125 x .74 x 6.27 Wld 85	1
11	456004	06513500	Nut-Lk-Nyl .375-16 PI	4
12	050377	07519200	Push-Pull Knob Black	1
13	047653	03492800	Brake Rod Park	1
14	050181	03451800	Bracket	1
15	126216	06216600	Blt-Carriage .31-18 x .75	8
16	419455	06506200	Nut-Lk-Nyl .312-18 PI	9
17	180122	05914500	Blt-Hex .38-16 x 1.00 PI Gr 5	1
18	137228	06705700	Pin-Cotr .15 x 1.50	1
19	052616	03469800	Rod Pivot	1
20	036176	03487600	Brake Shaft Weldm't	1
21	075030	07503000	Grip	2
22	050184	07512100	Pedal Cover	1
23	036160	03459000	Spin Drive Zerk Fitting	2
24	446470	06425500	Washer, Flt .375 x 1.125 x .065	2
25	417923	03497400	Pin, Clevis .250 x 1.500	1
26	050185	03454100	Arm-Park	1
27	121223	06703900	Pin-Cotr .062 x .75 PI	2
28	050229	05510900	Bshg-Flg .625 x .875 x .750 x 1 HX	2
29	018000	06426200	Wshr-Thrst .063 x 1.15 x .093	2
30	413447	06521900	Nut-Lk-Ctr .312-18 Typ N	1
31	052063	05944100	Blt-Hex .31-18 x 3.50	1
32	050187	03449600	Neutral Rod	1
33	137228	06705700	Pin-Cotr .15 x 1.50	2
34	050188	03475400	Brake Shaft	1
35	050189	03583200	Clevis	1
36	131016	06400400	Wshr-FI-Stl .656 x 1.312 x .095 PI	1

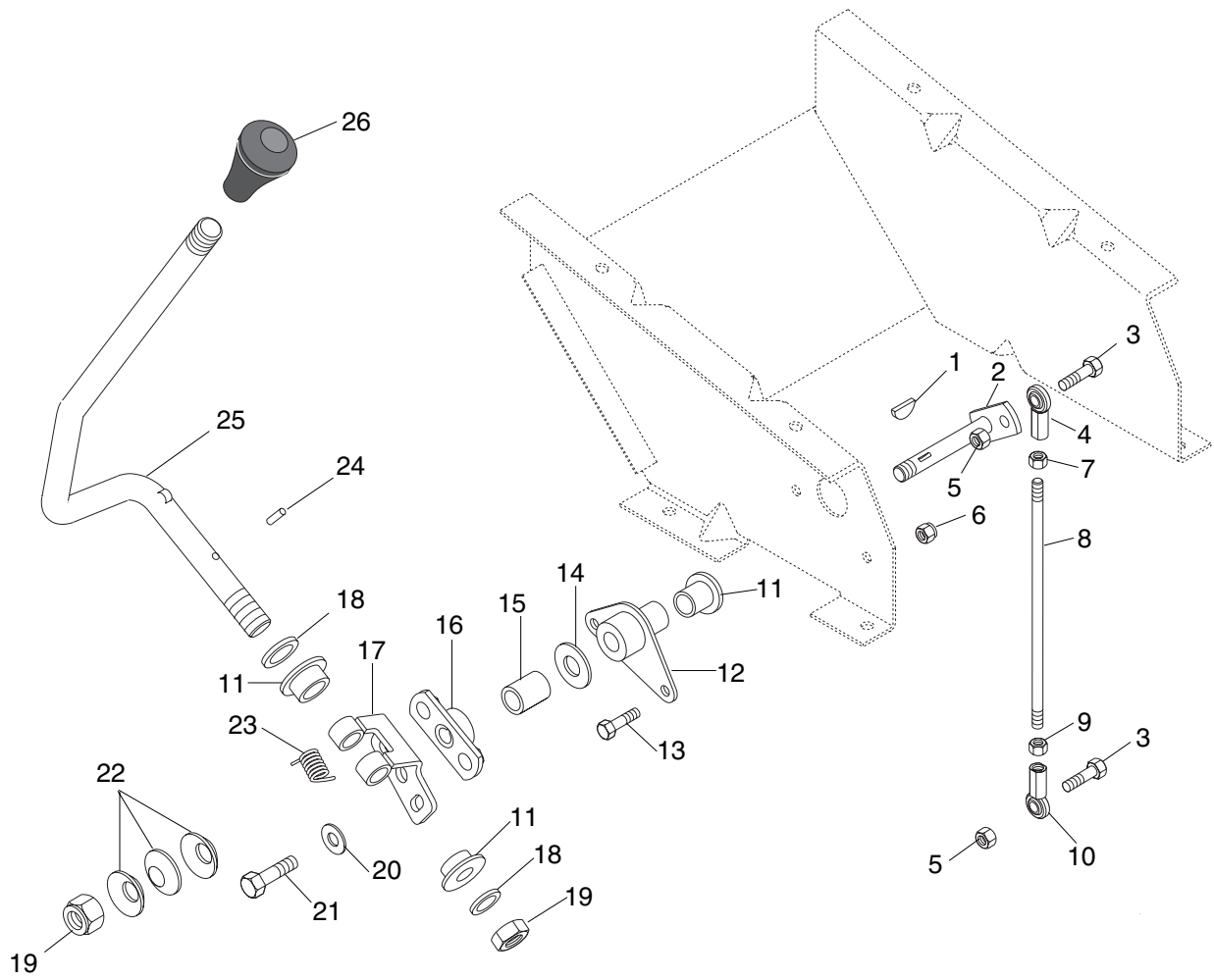
Hydrostatic Drive



Hydrostatic Drive

ITEM NO.	OLD PART NO.	NEW PART NO.	DESCRIPTION	QTY
1	180020	05908200	Blt-Hex .25-20 x .75 PI Gr 5	1
2	120380	06304900	Wshr-Lock .250 Reg.	1
3	050326	06425400	Wshr-FI-Stl .281 x 1.5 x .120	1
4	159920	06113000	Scr-Mch 10-24 x .50 Phd	4
5	045321	03570000	Fan	1
6	180121	05932600	Blt-Hex .380-16 x .875	4
7	189304	05923400	Blt-Hex .38-16 x 3.25 PI Gr 5	4
8	050190	03488700	Transaxle Sheave	1
9	050211	03458100	Spring Anchor	1
10	050210	03447500	Bracket	2
11	446470	06425500	Washer, Flt .375 x 1.125 x .065	4
12	456004	06513500	Nut-Lk-Nyl .375-16 PI	9
13	431787	06609300	Key, Wdrf 3/16 x 5/8 Hrd #61	1
14	050192	03450600	Fitting	1
15	051626	03488400	Transaxle	1
16	051006	07010700	Scrw-Vent SI 8-32 x .250	1
17	050195	03449800	Dipstick	1
18	047635	03494600	Tank, Hydraulic	1
19	049678	07022700	Ftg .88-14 x .63	2
20	021247	03449700	Hose Clamp	4
21	050395	06917900	Clamp, Steel 1.0	4
22	120915	06202900	Blt-Rdhdsqnk .38-16 x 1.0 PI	1
23	046379	00915100	Hose	7 Ft.
24	050199	06602100	Key-Str .25 x 2.0 x .25	2
25	050581	03497800	Pad, Tank LH	1
26	050582	03497900	Pad, Tank RH	1
27	050200	03447600	Spacer	2
28	050201	07008300	Blt-Lug Sernkhdnd .44-20 x 1.188	10
29	017959	06426500	Wshr-Thrst 1.55 x 1.002 x .093	2
30	050202	03438600	Wheel Hub	2
31	050372	07519100	Clamp, Universal	1
32	050203	05707300	Rg-Rtng-Ext 1,00 x .078	2
33	048537	07133700	T/Whl Assy 23 x 8.50-12	2
34	039687	06511400	Nut-Lug .437-20 PI	10
35	011191	07520000	Valve Stem Ass'y	1
36	048922	20928200	Wldmt, Rim	1
37	048920	20928000	Tire, Rear 23 x 8.50 - 12	1
38	050206	03453900	Arm-Dump Valve	1
39	180022	05908300	Blt-Hex .25-20 x 1.00 PI Gr 5	1
40	120394	06404300	Wshr-FI-Stl .406 x .812 x .065 PI	1
41	121222	06700100	Pin-Cotr .09 x .75 PI	1
42	045226	07020300	Ftg-Adptr 88-14	1
43	419454	06506600	Nut-Lk-Nyl .250-20 PI	1
44	050205	03455400	Pin	1
45	050204	08325300	Sg-Tens .090 x .96 x 4.0 Wld 23	1
46	050207	03456000	Collar	1
47	418634	05808700	Pin, Roll .125 x .625	1
48	050208	03453700	Rod	1
49	190254	06506500	Nut-Lk 10-24 Ny PI	1
50	050209	03429700	Hour Meter	1
51	159957	06113100	Scr-Mch 10-24 x 1.00 Phcr	1

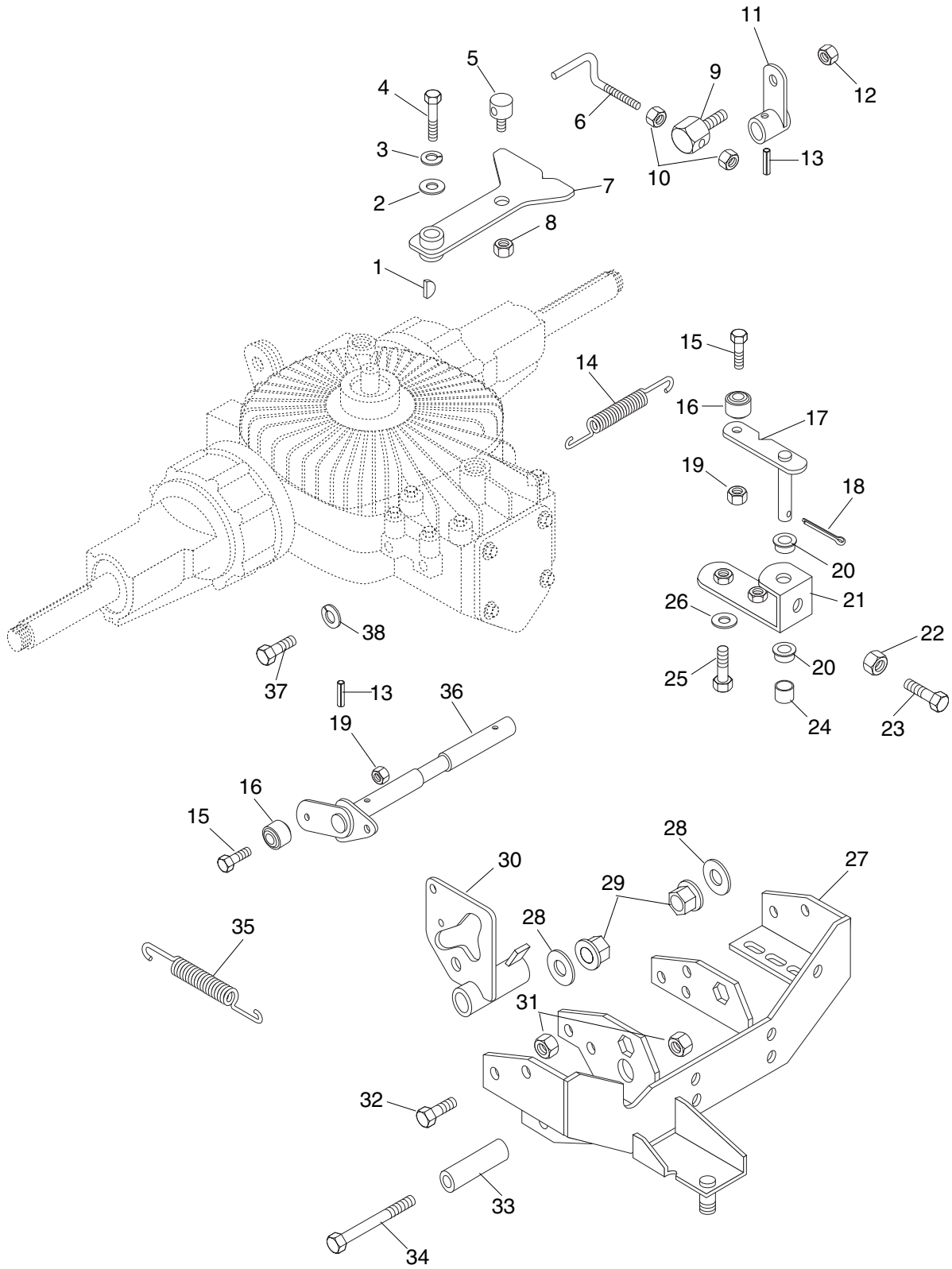
Speed Selector



Speed Selector

ITEM NO.	OLD PART NO.	NEW PART NO.	DESCRIPTION	QTY
1	124543	06608300	Key, Wdrf 1/8 x 1/2 Hdr #3	1
2	036123	03612300	Rod	1
3	059080	05908000	Blt-Hex .25-20 x .63 PI Gr 2	2
4	045354	03573200	Rod End RH	1
5	419454	06506600	Nut-Lk-Nyl .250-20 PI	2
6	419455	06506200	Nut-Lk--Nyl .312-18 PI	3
7	120367	06522700	Nut-Hex .250-28	1
8	034947	03494700	Shift Rod	1
9	045352	06516800	Nut-LH .250-28 Gr 2 PI	1
10	045351	03573300	Rod End LH	1
11	050215	05502500	Bshg-Flg .500 x .625 x .625 x .875	3
12	036124	03612400	Brace	1
13	180079	05918100	Blt-Hex .31-18 x 1.00 PI Gr 5	3
14	050381	03463300	Friction Washer	1
15	050380	05515900	Bshg-Slv .500 x .625 x .500	1
16	050379	03463400	Arm	1
17	050217	03450200	Outer Arm	1
18	417098	06425300	Wshr-FI-Stl .531 x 1.000 x .063	2
19	011835	06512100	Nut-Lk .50-20 PI	2
20	120394	06404300	Wshr-FI-Stl .406 x .812 x .065 PI	1
21	180122	05914500	Blt-Hex .38-16 x 1.00 PI Gr 5	2
22	050382	03463500	Spring Washer	3
23	050219	08325700	Sg-Tors .08 x .56 x .65	1
24	273936	05808300	Pin, Spring .125 x 1.000	1
25	036125	03612500	Shift Lever	1
26	041161	07514500	Knob	1

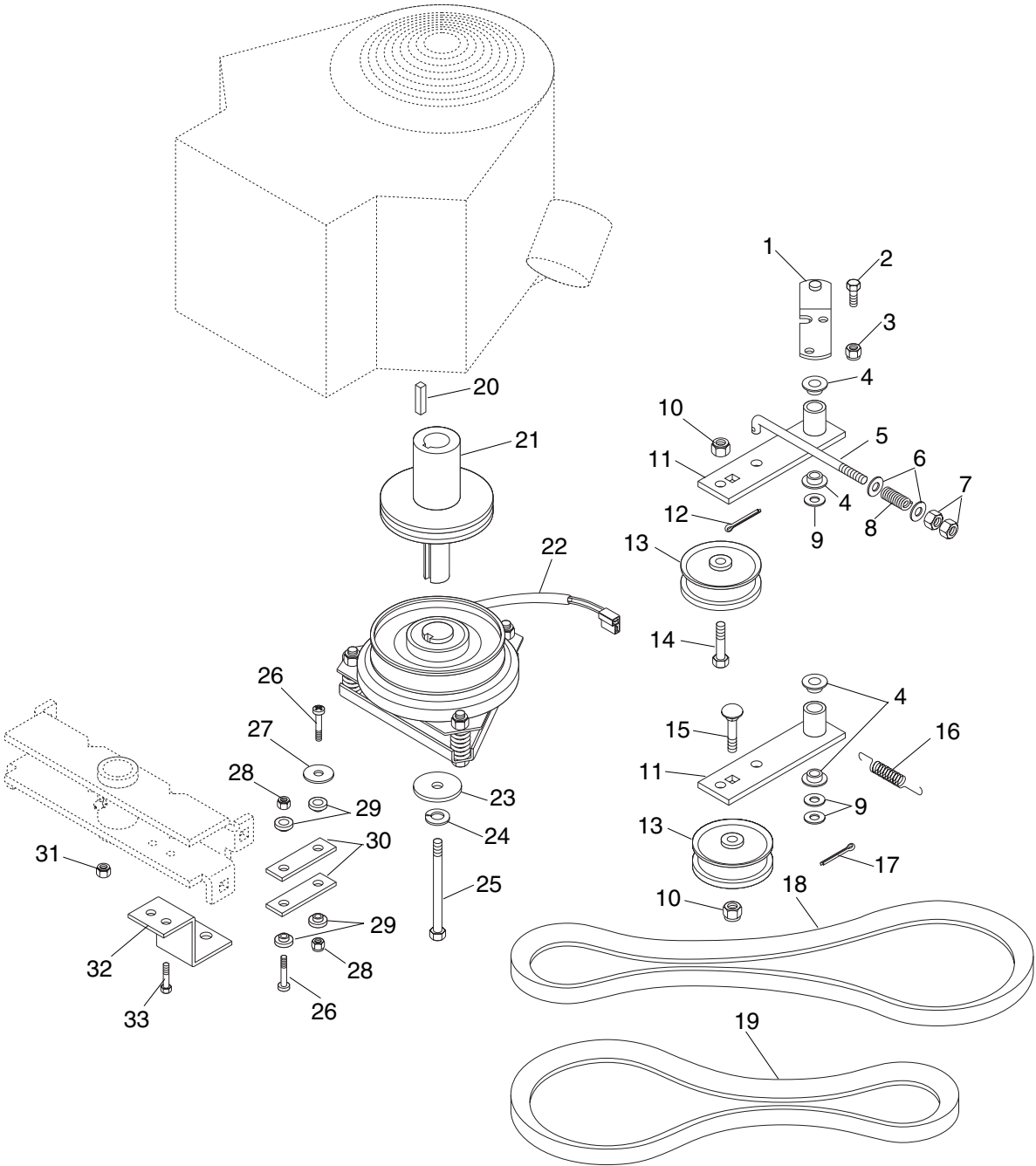
Neutralizer



Neutralizer

ITEM NO.	OLD PART NO.	NEW PART NO.	DESCRIPTION	QTY
1	124543	06608300	Key, Wdrf 1/8 x 1/2 Hrd #3	1
2	120386	06400700	Wshr-FI-Stl .312 x .734 x .065 PI	1
3	120380	06304900	Wshr-Lock .250 Reg.	1
4	180034	05905000	Blt-Hex .25-20 x 1.50 PI Gr 5	1
5	045313	03576100	Adapter	1
6	050221	03448200	Arm	1
7	050266	03349300	Arm, Control 75	1
8	020541	06527200	Nut-Lk .50-13 Esna Thin	1
9	050930	03569800	Rod Pivot	1
10	120375	06523000	Nut-Hex .250-20 ZC	2
11	050222	03448300	Arm & Hub	1
12	419455	06506200	Nut-Lk-Nyl .312-18 PI	1
13	273936	05808300	Pin, Spring .125 x 1.000	2
14	050204	08325300	Sg-Tens .090 x .96 x 4.0 Wld 23	1
15	180022	05908300	Blt-Hex .25-20 x 1.00 PI Gr 5	2
16	047455	05418000	Brg Ball Dbl .250 x .638 x .438	2
17	050223	03452800	Pivot Arm	1
18	103385	06704800	Pin-Cotr .125 x 1.00	1
19	419454	06506600	Nut-Lk-Nyl .250-20 PI	2
20	050224	05506400	Bshg-Flg .500 x .375 x .500 x .687	2
21	050225	03452600	Pivot Bracket	1
22	413534	06524800	Nut-Lk-Ctr .375-16 Typ N	1
23	047176	05932200	Blt-Hex .38-16 x 2.00	1
24	039145	05508900	Bshg-Slv .377 x .624 x .235	1
25	180120	05915400	Blt-Hex .38-16 x .75 PI Gr 5	2
26	120394	06404300	Wshr-FI-Stl .406 x .812 x .065 PI	2
27	050226	03463700	Torque Mount	1
28	131016	06400400	Wshr-FI-Stl .656 x 1.312 x .095 PI	2
29	050229	05510900	Bshg-Flg .625 x .875 x .750 x 1 HX	2
30	050230	03449500	Cam	1
31	456004	06513500	Nut-Lk-Nyl .375-16 PI	5
32	180121	05932600	Blt-Hex .380-16 x .875	4
33	050228	03447800	Spacer	1
34	189305	05920800	Blt-Hex .38-16 x 3.50 PI Gr 5	1
35	036907	08318600	Sg-Tens .080 x .73 x 3.06 Wld 20	1
36	050537	03463600	Cross Shaft	1
37	180075	05932100	Blt-Hex .31-18 x .625 Gr 5	4
38	120214	06303600	Wshr-Lock .313 x .078 PI	4

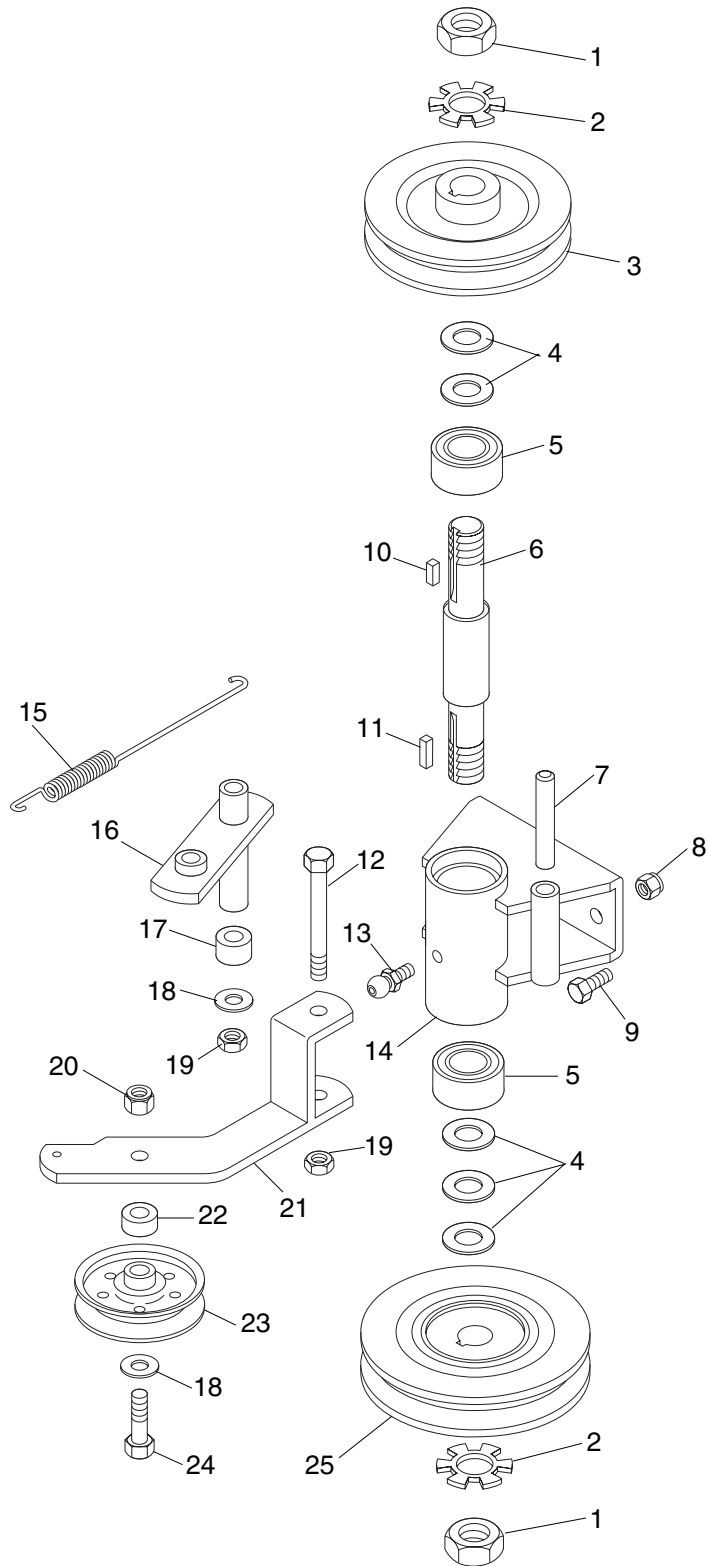
Main Drive



Main Drive

ITEM NO.	OLD PART NO.	NEW PART NO.	DESCRIPTION	QTY
1	049673	03452700	Pivot	1
2	180077	05913500	Blt-Hex .31-18 .75 PI Gr 5	1
3	419455	06506200	Nut-Lk-Nyl .312-18 PI	1
4	036057	05503700	Bshg-Flg Ny .500 x .625 x .312 x .750	4
5	051276	03491700	Rod	1
6	120394	06404300	Wshr-FI-Stl .406 x .812 x .065 PI	2
7	120377	06501800	Nut-Hex .375-16	2
8	011779	08327000	Sg-Comp .188 x 1.66 x 2.0	1
9	417098	06425300	Wshr-FI-Stl .531 x 1.000 x .063	2
10	456004	06513500	Nut-Lk-Nyl .375-16 PI	2
11	052570	03490100	Idler Arm	2
12	121224	06700200	Pin-Cotr .09 x 1.0 PI	1
13	035851	07311100	Idler-Flat 2.75 x .38 Dayco	2
14	180128	05916100	Blt-Hex .38-16 x 1.75 PI Gr 5	1
15	126416	06217800	Blt-Rdhdsqnk .38-16 x 1.75	1
16	050234	08320000	Sg-Tens .087 x .55 x 6.13 Wld 10	2
17	120123	06701400	Pin-Cotr .12 x 1.25 PI	1
18	049994	07206400	V-Belt	1
19	049995	07214900	V-Belt	1
20	009213	06609500	Key-Sg .248 x 1.0 x .248	1
21	051185	03493000	Extension Shaft	1
22	050236	03450500	Electric Clutch	1
23	044379	06426400	Wshr-Special .469 x 2.000 x .250	1
24	131100	06300500	Wshr-Lock .438 x .133 Hvy	1
25	193214	05927600	Blt-Hex .44-20 x 5.50 PI Gr 5	1
26	159957	06113100	Scr-Mch 10-24 x 1.00 Phcr	2
27	012694	06403700	Wshr-FI-Stl .281 x 1.250 x .062 PI	1
28	190254	06506500	Nut-Lk 10-24 Ny PI	2
29	050239	03015600	Special Washer	4
30	050240	03036200	Link	2
31	419454	06506600	Nut-Lk-Nyl .250-20 PI	2
32	050238	03452300	Torque Bracket	1
33	180020	05908200	Blt-Hex .25-20 x .75 PI Gr 5	2

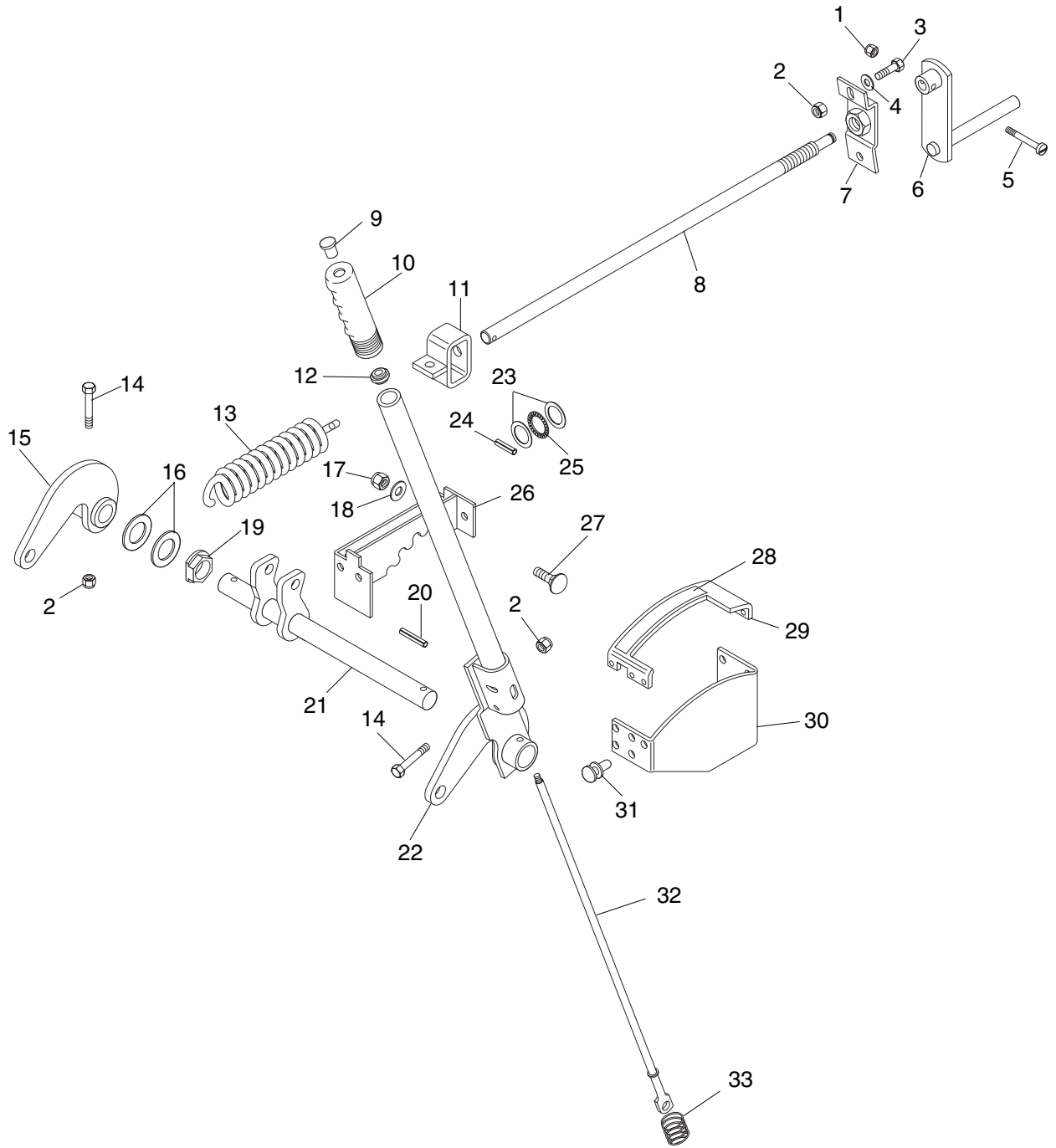
PTO



PTO

ITEM NO.	OLD PART NO.	NEW PART NO.	DESCRIPTION	QTY
1	451539	06525200	Nut-Hex-Jam .750-10 Heavy	2
2	036225	03559000	Star Washer	2
3	050248	03454400	Sheave	1
4	036785	06408800	Wshr-FI-Stl .755 x 1.250 x .125	5
5	035925	05412000	Brg-Ball .750 x 1.781 x .61	2
6	050250	03488300	Jack Shaft	1
7	050251	03455900	Tube	1
8	419455	06506200	Nut-Lk-Nyl .312-18 PI	4
9	180079	05918100	Blt-Hex .31-18 x 1.00 PI Gr 5	4
10	026273	06606000	Key-Sq 1.865 x .50 x 1.865	1
11	050249	06607400	Key-Str .186 x .75 x .186	1
12	180138	05935200	Blt-Hex .38-16 x 3.00	1
13	036160	02209300	Spin Drive Zerk Fitting	1
14	050258	03453100	Spindle	1
15	050257	08325600	Sg-Tens .095 x .62 x 9.25	1
16	050256	03455500	Spring Arm	1
17	050255	03455700	Tube	1
18	120394	06404300	Wshr-FI-Stl .406 x .812 x .065 PI	2
19	413534	05524800	Nut-Lk-Ctr .375-16 Typ N	2
20	456004	06513500	Nut-Lk-Nyl .375-16 PI	1
21	050252	03475100	Idler Arm	1
22	014672	03488200	Bushing .406 x .750 x .188	1
23	052062	07320700	Idler-Ply	1
24	180130	05914700	Blt-Hex .38-16 x 2.00 PI Gr 5	1
25	050254	03454800	Sheave	1

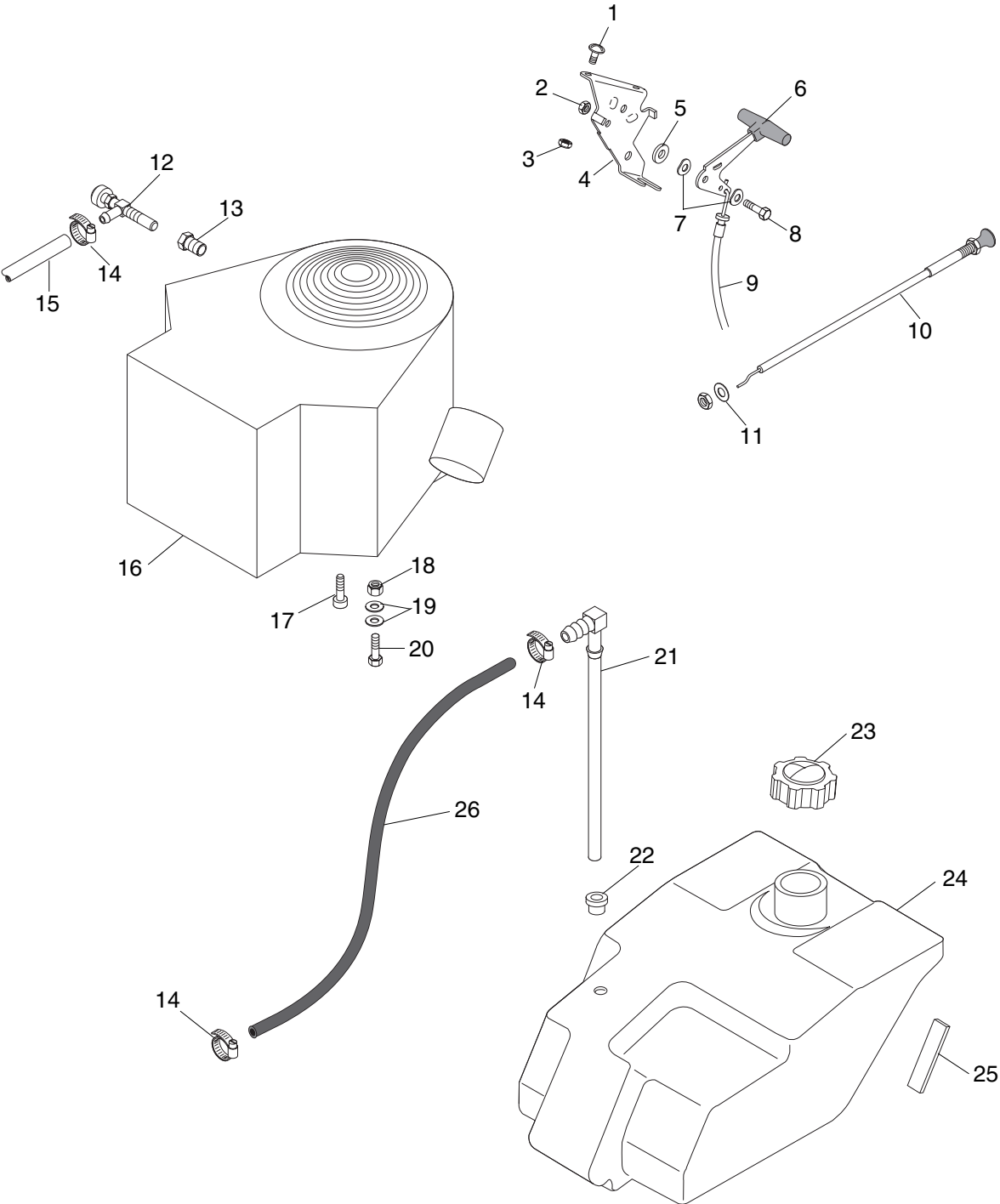
Lift System



Lift System

ITEM NO.	OLD PART NO.	NEW PART NO.	DESCRIPTION	QTY
1	190254	06506500	Nut-Lk 10-24 Ny PI	1
2	419454	06506600	Nut-Lk-Nyl .250-20 PI	5
3	180022	05908300	Blt-Hex .25-20 x 1.00 PI Gr 5	2
4	120392	06424900	Wshr-FI-Stl .281 x .625 x .065	2
5	159962	06111000	Scr-Mch 10-24 x 1.25 Phcr	1
6	051723	03489000	Handle	1
7	048981	03489100	Crank	1
8	051724	03489200	Jackscrew	1
9	049734	07517800	Knob	1
10	011119	07519800	Grip, Flex	1
11	048946	03491300	Weldment Tube	1
12	011117	07517900	Guide, Push Rod	1
13	011272	08326900	Sg-Lift .244 x 1.75 x 7.6 Rate 70	1
14	180042	05917300	Blt-Hex .25-20 x 1.75 Gr 2	3
15	049073	03491200	Weldment, Lift Hub	1
16	017959	06426500	Wshr-Thrst 1.55 x 1.002 x .093	4
17	419455	06506200	Nut-Lk-Nyl .312-18 PI	2
18	120393	06429200	Wshr-FI-Stl .344 x .688 x .065	2
19	050259	05513800	Bshg-Flg 1.000 x 1.25 x .49 x 1.56 Hx	2
20	273757	05800100	Pin-Sg .250 x 1.875	1
21	048808	03487700	Lift Pivot	1
22	052785	03491100	Lift Lever	1
23	035344	06426300	Wshr-Thrst .507 x .917 x .031	2
24	412281	05808400	Pin, Spring .250 x 1.000	1
25	048961	05405500	Brg-Thrst .502	
26	048977	03491000	Lift Quadrant	1
27	126216	06216600	Blt-Carriage .31-18 x .75	2
28	050669	07821800	Decal Lift	1
29	049072	03491600	Cover, Top	1
30	048978	03491500	Cover, Lift	1
31	050089	07518900	Fastener	8
32	052783	03491400	Rod, Push	1
33	048970	08326800	Sg-Comp .055 x .845 x .750 Wld 10	1

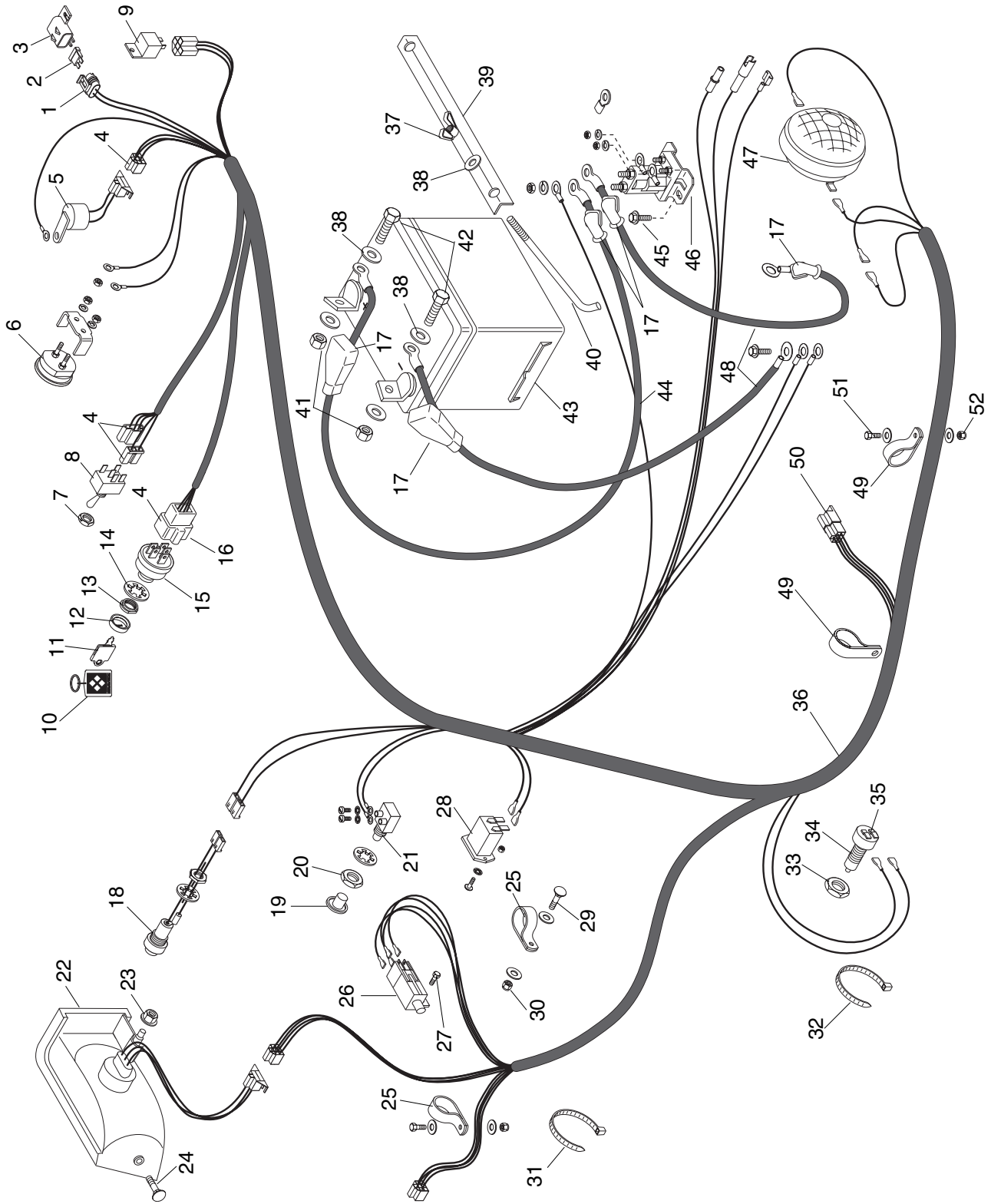
Engine, Fuel and Exhaust System



Engine, Fuel and Exhaust System

ITEM NO.	OLD PART NO.	NEW PART NO.	DESCRIPTION	QTY
1	159929	06111100	Scr-Mch 10-24 x .625 P/HD	2
2	416430	06520600	Nut-Lk-Ctr .250-28 Typ N	1
3	190254	06506500	Nut-Lk 10-24 Ny PI	2
4	011770	03493300	Bracket-Throttle Cable	1
5	120392	06424900	Wshr-FI-Stl .281 x .625 x .065	1
6	011773	06917100	Knob & Lever Ass'y	1
7	011774	03493400	Spring Washer	2
8	181003	05931900	Blt-Hex .25-28 x .63	1
9	051536	06922600	Cable	1
10	051537	06918300	Choke Cable	1
11	120394	06404300	Wshr-FI-Stl .406 x .812 x .065 PI	1
12	035329	03493200	Cock, Oil Drain	1
13	035328	03493100	Adapter, Oil Drain	1
14	032045	06924300	Hose Clamp	3
15	033280	03328000	Gas Line Hose 11"	1
16	052614	08232600	Engine 16 HP B & S	1
17	051666	05931800	Blt-Hex M8 x 1.25 x 20mm PI	4
18	419455	06506200	Nut-Lk-Nyl .312-18 PI	4
19	120393	06429200	Wshr-FI-Stl .344 x .688 x .065	8
20	180085	05912800	Blt-Hex .31-18 x 1.75 Gr 5	4
21	036065	03606500	Tank Fitting	1
22	050246	07511400	Bushing	1
23	036019	03601900	Fuel Cap	1
24	036061	03606100	Fuel Tank	1
25	031884	03301900	Pad, Gas Tank	4
26	033279	03327900	Gas Line Hose 53"	1

Electrical System



Electrical System

ITEM NO.	OLD PART NO.	NEW PART NO.	DESCRIPTION	QTY
1	045923	20823000	Term., For 10-12 Ga Wire	2
2	045037	08961800	Fuse, 25 AMP	1
3	045921	20822800	Cvr	1
4	038059	08540000	Terminal	15
5	050590	03494300	Module	1
6	021848	03490800	Gauge-Ammeter	1
7	045987	06520700	Nut .50-27	1
8	045848	03454900	Switch Assembly	1
9	040216	03042800	Relay	1
10	045842	03490000	Key Chain	1
11	045488	03489900	Ignition Switch Key	2
12	045490	07517700	Cap-Ignition Switch	1
13	045489	06517400	Nut-Panel .562-24 Greco	1
14	019667	06302900	Wshr-Lock Int .563 x .040 PI	1
15	019223	03115200	Ignition Switch	1
16	038058	20645100	Connector	1
17	033847	03384700	Boot, Insulator	5
18	048543	03490600	Light Indicator	1
19	038186	07516400	Knob, Light Switch	1
20	018587	06520800	Nut-Jam .375-32	1
21	011337	03490700	Light Switch	1
22	050152	03416300	Right Tail Light	1
	050153	03416400	Left Tail Light	1
23	050378	07017900	Palnut - .25	2
24	161895	07410300	Scr-Tap 10-12 x .50 Ph Cr A	2
25	051895	06919400	Clamp	3
26	036066	03606600	Switch Double Pole	1
27	074045	07404500	Scr-Tap 12-24 x .50 Hwh PI	2
28	038256	03492700	Hour Meter	1
29	126358	06217200	Blt-Carriage .31-18 x 1.0	1
30	419455	06506200	Blt-Rdhdnsqnk .31-18 x .885 PI BI	1
31	041634	07519900	Tie Wrap, Black	AR
32	050372	07519100	Clamp, Universal	1
33	039637	06507100	Nut .625-32 PI	1
34	039636	07506300	Boot	1
35	039493	03110700	Safety Switch	1
36	051160	03492600	Wire Harness	1
37	010413	06506400	Nut-Wing .250-20	2
38	120392	06424900	Wshr-FI-Stl .281 x .625 x .065	4
39	015258	03494000	Hold Down	1
40	015257	03494100	Tie Down	2
41	419454	06506600	Nut-Lk-Nyl .250-20 PI	2
42	180020	05908200	Blt-Hex .25-20 x .75 PI Gr 5	2
43	051188	03493900	Battery	1
44	047649	03492500	Cable, Starter	1
45	045207	07405200	Scr-Tap .25-20 x .50 Hxslhdpl	2
46	045071	03492300	Solenoid	1
47	039069	03114900	Head Light	2
48	041814	03492400	Cable, Ground	2
49	050394	06908200	Clamp, Cushioned Steel	3
50	038057	20645000	Connector	1
51	180121	05930600	Blt-Hex .380-16 x .875	1
52	456004	06513500	Nut-Lk-Nyl .375-16 PI	1