

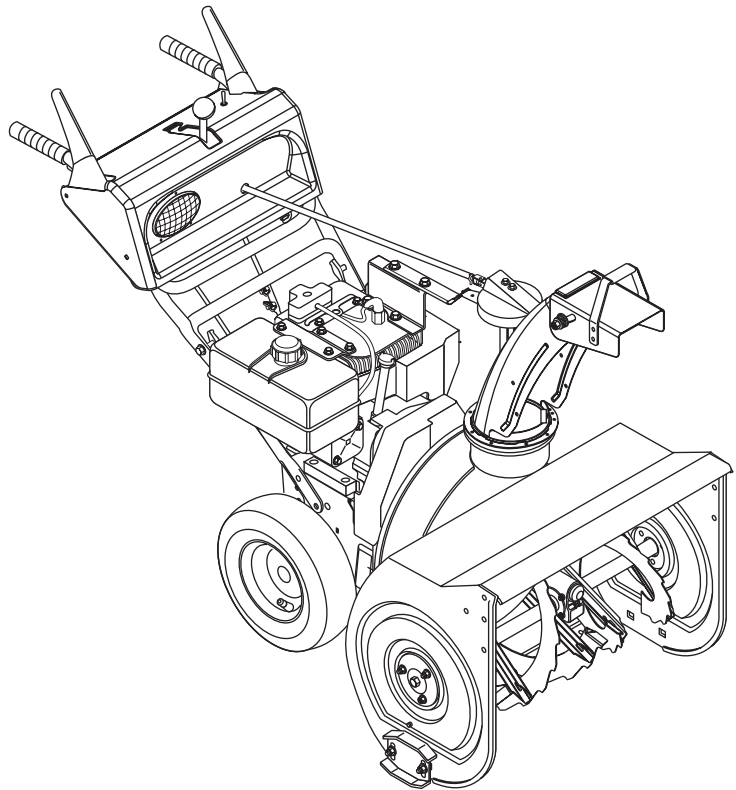


Sno-Thro®

Parts Manual

Models

- 932035 - 724
- 932101 - 824
- 932102 - 520
- 932103 - 624
- 932309 - 824
- 932310 - 624
- 932503 - 724



THE MANUAL

Before you operate your unit, carefully and completely read manuals supplied with the unit. The contents will provide you with an understanding of safety instructions and controls during normal operation and maintenance.

For your safety and the safety of others always read, understand, and follow all DANGER, WARNING, and CAUTION messages found in manuals and on safety decals.

Hardware descriptions are given in decimals.

Decimals to Fractions			
.063	1/16	.563	9/16
.125	1/8	.625	5/8
.188	3/16	.688	11/16
.250	1/4	.750	3/4
.313	5/16	.813	13/16
.375	3/8	.875	7/8
.438	7/16	.938	15/16
.500	1/2	1.00	1

SERVICE AND REPLACEMENT PARTS

When ordering replacement parts or making service inquiries, know the Model and Serial numbers of your unit and engine.

Numbers are located on the product registration card in the unit literature package. They are printed on a serial number label, located on the frame of your unit.

- Record Unit Model and Serial numbers here:

- Record Engine Model and Serial numbers here:

UNAUTHORIZED REPLACEMENT PARTS

Use only Ariens replacement parts. The replacement of any part on this vehicle with anything other than an Ariens authorized replacement part may adversely affect the performance, durability, or safety of this unit and may void the warranty. Ariens disclaims liability for any claims or damages, whether warranty, property damage, personal injury or death arising out of the use of unauthorized replacement parts.

PRODUCT REGISTRATION

The Ariens dealer must register the product at the time of purchase. Registering the product will help the company process warranty claims or contact you with the latest service information. All claims meeting requirements during the limited warranty period will be honored, whether or not the product registration card is returned. Keep a proof of purchase if you do not register your unit.

Customer Note: If Dealer does not register your product, please fill out, sign and return the product registration card to Ariens.

YOUR SATISFACTION IS IMPORTANT

Questions? Please follow these helpful steps:

1. Refer to the manuals supplied with your unit.
They will guide you through safe and proper operation and maintenance.
They contain specifications on your unit.
If your questions are not answered in these manuals, go to step number two.
2. Contact Your Dealer.
Our dealers will be happy to supply any service or advice required to keep your unit operating at peak efficiency.
A factory trained staff is available to support your equipment needs. They stock genuine Ariens parts and lubricants manufactured with the same precision and skill as the original.
If your questions are not resolved by the support staff, ask for the manager or owner.
When contacting your Dealer supply your model and serial numbers.

TO SPEED PARTS ORDERING:

1. Know the model and serial numbers of your unit.
2. Know the part number required.
3. Know the quantity required.
4. Know the part description.

MODELS

Domestic

Model 932035 (724)

7 H.P. 24" Sno-Thro
Serial No. 000101 and up

Model 932101 (824)

8 H.P. 24" Sno-Thro
Serial No. 000101 and up

Model 932102 (520)

5 H.P. 20" Sno-Thro
Serial No. 000101 and up

Model 932103 (624)

6 H.P. 24" Sno-Thro
Serial No. 000101 and up

International

Model 932309 (824)

8 H.P. 24" Sno-Thro
Serial No. 000101 and up

Model 932310 (624)

6 H.P. 24" Sno-Thro
Serial No. 000101 and up

Global

Model 932503 (724)

7 H.P. 24" Sno-Thro
Serial No. 000101 and up

TABLE OF CONTENTS

DECALS

Decals 4

ENGINE AND DRIVE

Engine and Belt Drive-824 6

Engine, Belt Drive, Handlebars and
Controls-520/624 8

Engine and Belt Drive-724 10

Friction Drive 12

FRAME AND HOUSING

Handlebar and Controls-724/824 14

Speed Selector and Frame 16

Auger and Chute 17

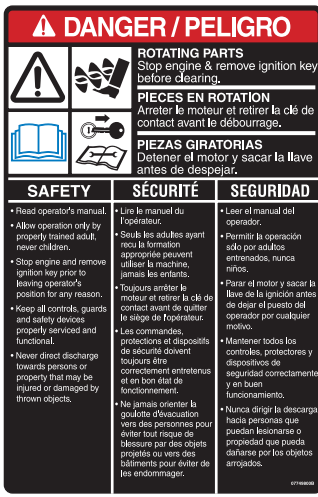
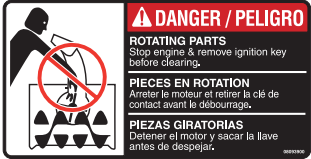
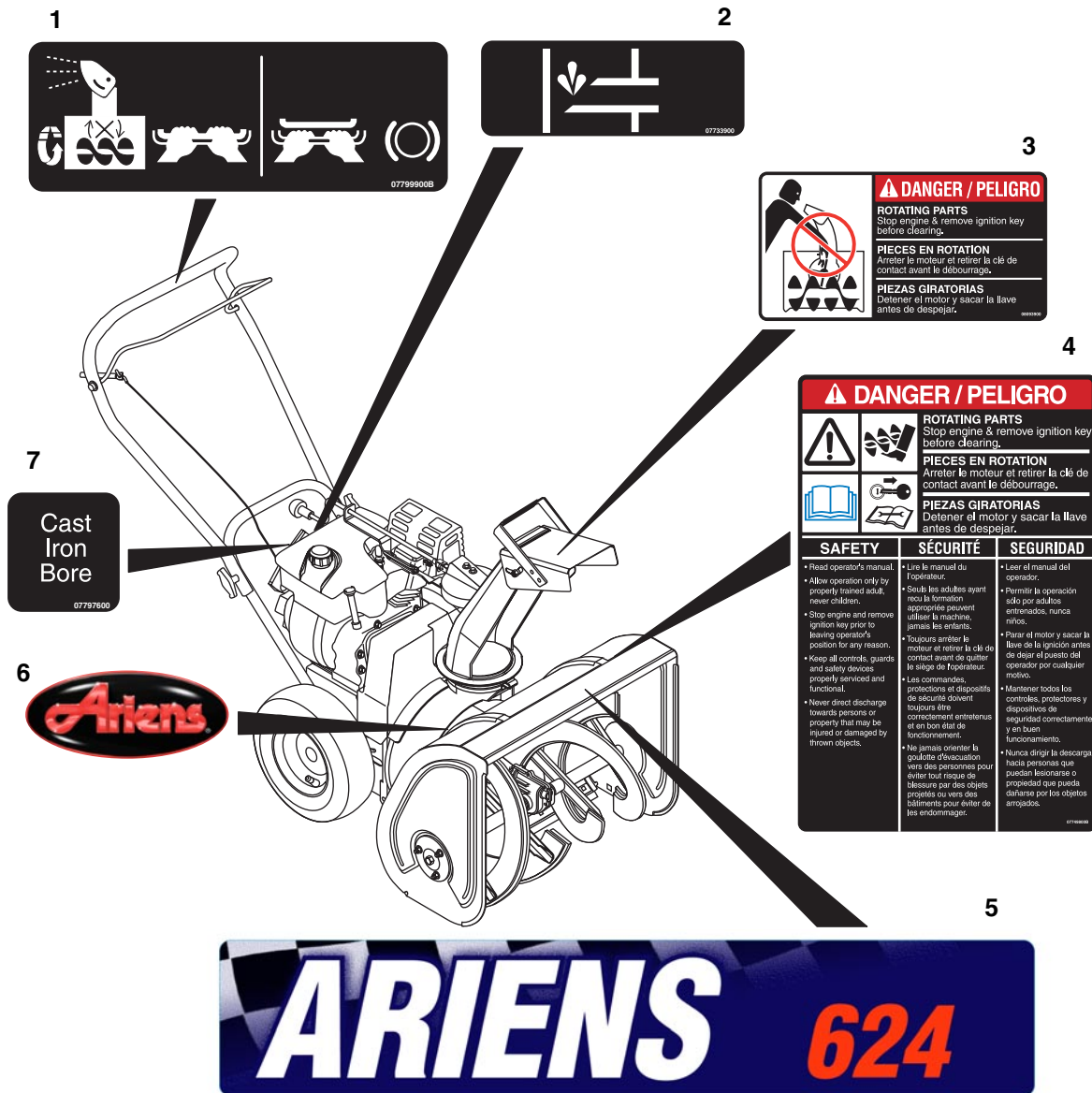
Discharge Chute Crank 20

Gearcase and Impeller 22

Electrical and Wiring Diagram 24

DECALS-520/624

Model 932102, 103, 310

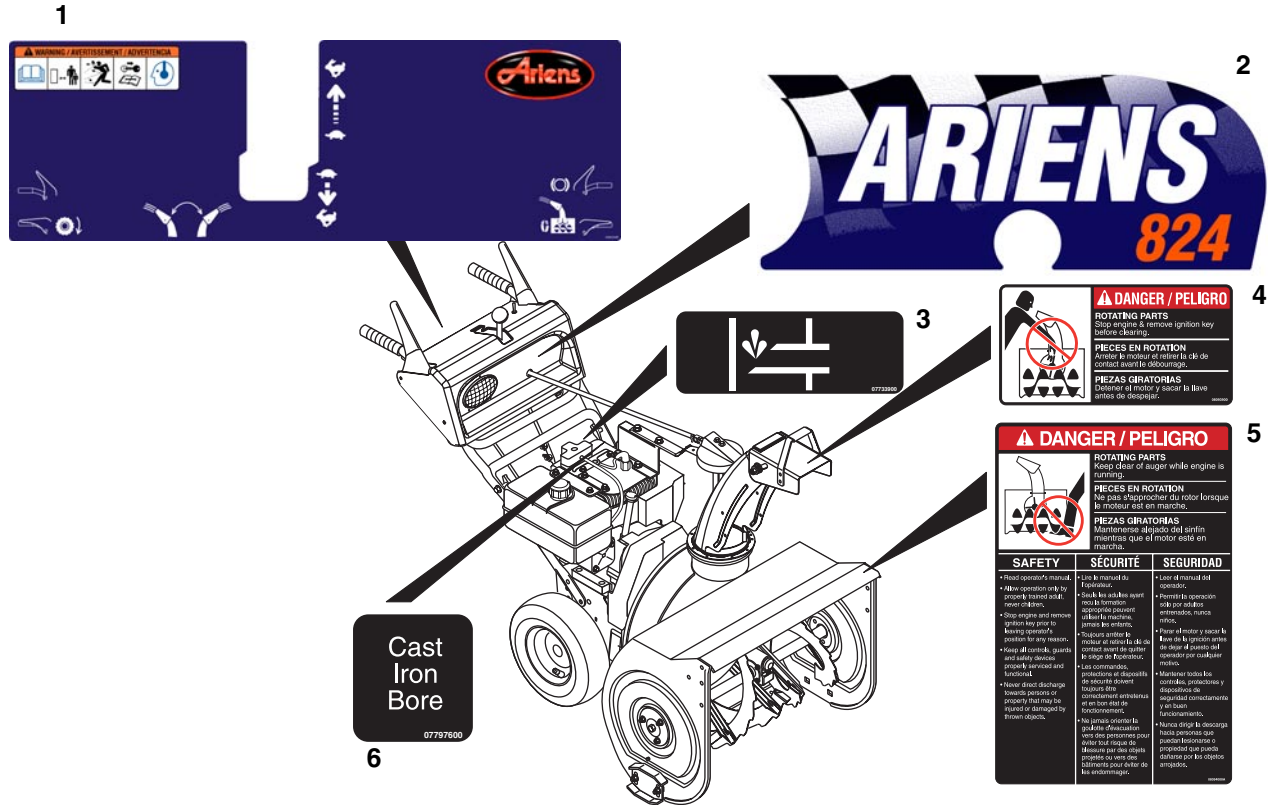


Item	Part No.	Qty.	Description
1	07799900	1	Decal, Handlebar
2	07733900	1	Decal, Primer
3	08093900	1	Decal, Danger- Rotating Parts
4	07749800	1	Decal, Danger
5	08091900	1	Decal, 520 Blower Housing (102)
	08092000	1	Decal, 624 Blower Housing (103, 310)
6	07746400	1	Decal, Ariens Jewel
7	07797600	1	Decal, Cast Iron Bore (103, 310)

PS0315

DECALS-724/824

Model 932035, 101, 309, 503



DANGER / PELIGRO
ROTATING PARTS
 Stop engine & remove ignition key before clearing.
PIECES EN ROTATION
 Arrête le moteur et retire la clé de contact avant le débarrassage.
PIEZAS GIRATORIAS
 Detener el motor y sacar la llave antes de despejar.

DANGER / PELIGRO
ROTATING PARTS
 Keep clear of auger while engine is running.
PIECES EN ROTATION
 Ne pas s'approcher de l'arbre lorsque le moteur est en marche.
PIEZAS GIRATORIAS
 Manténte alejado del patrón mientras que el motor está en marcha.

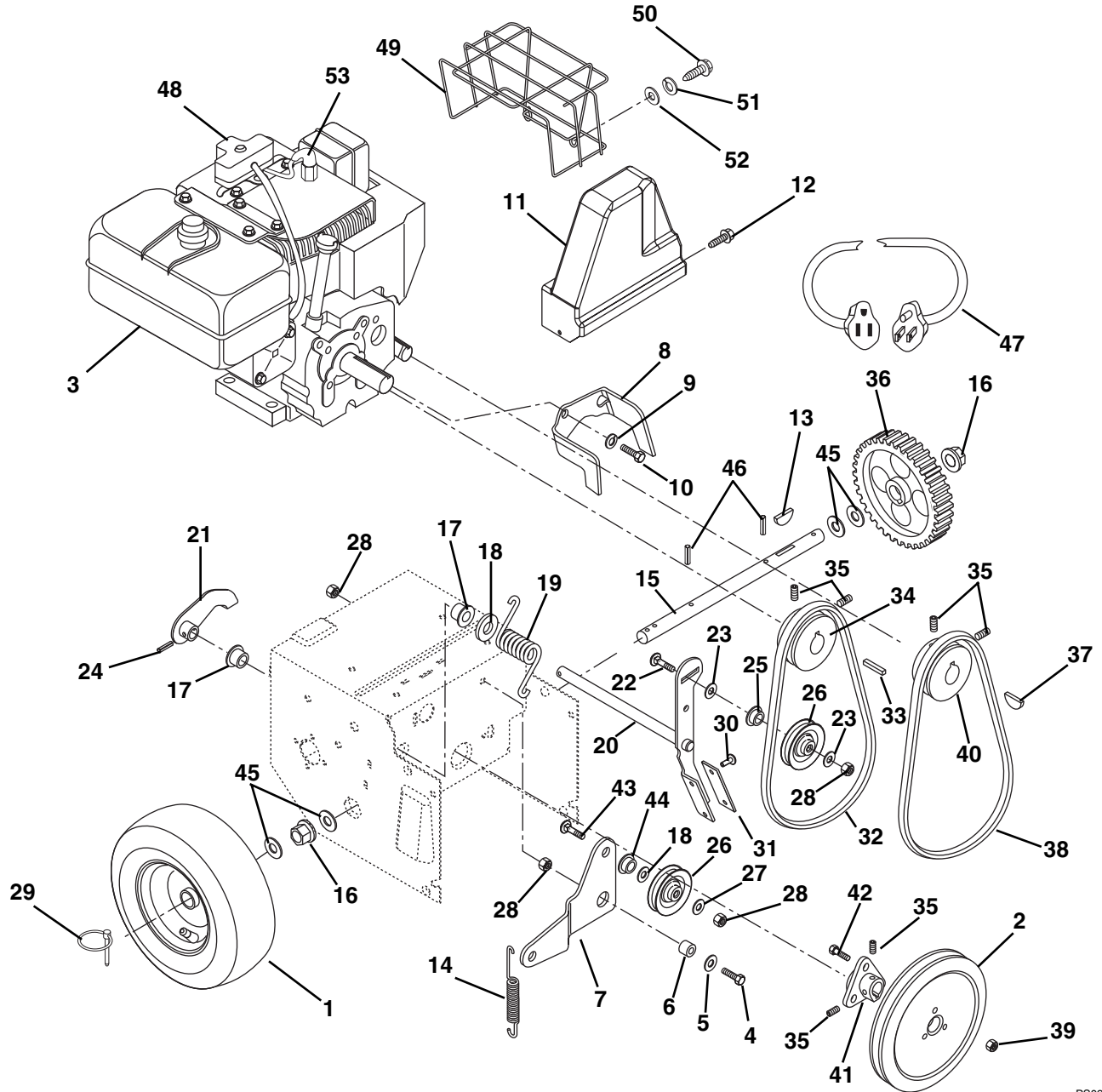
SAFETY	SECURITÉ	SEGURIDAD
<ul style="list-style-type: none"> Read operator's manual. Allow operation only by properly trained adult, never a child. Stop engine and remove ignition key prior to leaving operator's position for any reason. Keep all controls, guards and safety devices properly serviced and functional. Avoid direct discharge towards persons or property that may be injured or damaged by thrown objects. 	<ul style="list-style-type: none"> Lire le manuel de l'opérateur. Ne laissez fonctionner qu'un adulte correctement formé, jamais un enfant. Arrêtez le moteur et retirez la clé de contact avant de quitter le poste de l'opérateur. Les commandes, protections et dispositifs de sécurité doivent toujours être correctement entretenus et en état de fonctionnement. N'ajoutez jamais la pollution d'exhaustion vers des personnes ou objets qui risquent d'être blessés ou endommagés par des objets lancés. 	<ul style="list-style-type: none"> Leer el manual del operador. Permita la operación sólo por adultos capacitados, nunca un niño. Parar el motor y sacar la llave de la posición antes de dejar el puesto del operador por cualquier motivo. Manténte alejado de los controles, protecciones y dispositivos de seguridad correctamente mantenidos y funcionales. Manténte alejado de los escapes de escape hacia personas que pueden lesionarse o propiedad que pueda dañarse por los objetos arrojados.

Item	Part No.	Qty.	Description
1	08093200	1	Decal, Dash 724/824
2	08093300	1	Decal, Front Panel 824 (101, 309)
	08093400	1	Decal, Front Panel 724 (035, 503)
3	07733900	1	Decal, Primer
4	08093900	1	Decal, Danger- Rotating Parts
5	08094000	1	Decal, Danger
6	07797600	1	Decal, Cast Iron Bore

PS0307

ENGINE AND BELT DRIVE-824

Model 932101, 309



PS0255

Item	Part No.	Qty.	Description
1	07155800	2	Wheel 5.00 x 6.00
	07155900	2	Tire 15 x 5.00-6
	07155700	2	Tire/Wheel Assembly 15 x 5.00-6
	07156400	2	Tube 15 x 5.00-6
2	07307400	1	Pulley-V 8.0 x 1.25
3	08262300	1	Engine-8HP-Tecumseh-LH (101)
4	05947000	1	Bolt-Hex .31-18 x .75 Grade 5
5	06435700	1	Washer-Flat-Steel .38 x .88 x .083
6	01035800	1	Spacer Bushing

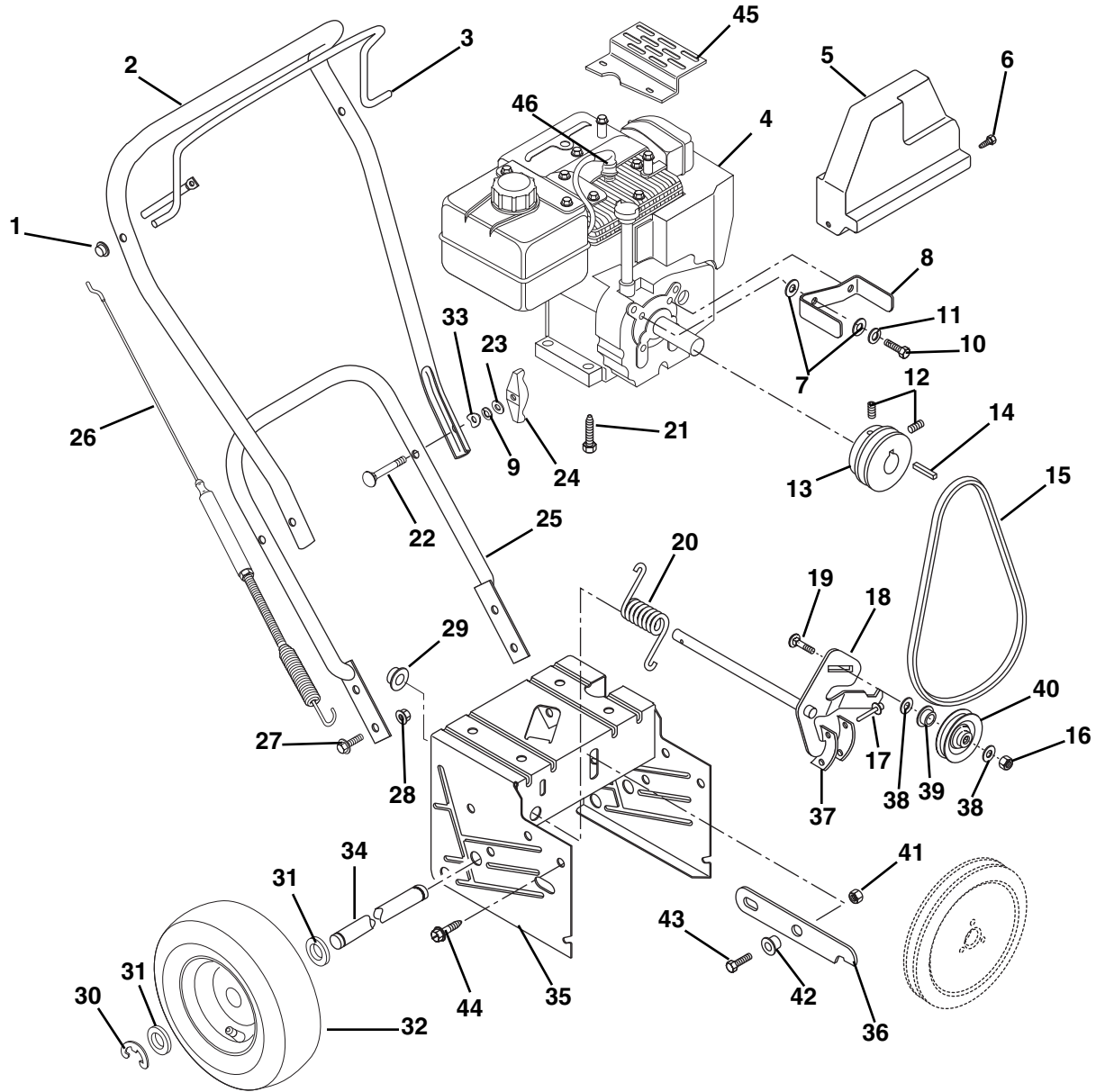
ENGINE AND BELT DRIVE-824

Model 932101, 309

Item	Part No.	Qty.	Description
7	03206900	1	Idler Arm
8	03238151	1	Belt Finger
9	06308600	1	Washer-Locking .31 x .078
10	05947300	1	Bolt-Hex .31-24 x .75 Grade 5
11	03238000	1	Belt Cover
12	07411600	2	Screw-Tapping Hex Washer Head .25-20 x .37
13	06601200	1	Key-Woodruff .25 x .75 x .313 SAE 91
14	08317200	1	Spring-Tension .047 x .44 x 3.37
15	03239800	1	Shaft, Axle
16	05521600	2	Bushing-Flange-Hex .750 x .873 x .53 x 1.18
17	05503700	2	Bushing-Flange .500 x .625 x .312 x .750
18	06439600	2	Washer-Flat-Steel .520 x .810 x .033
19	08322000	1	Spring-Torsion .148 x 1.00 x 1.53
20	53205100	1	Clutch Arm with Brake Pad (Includes items 30 & 31)
21	03231951	1	Arm-Clutch
22	06212100	1	Bolt-Round Head Square Neck .31-18 x 1.50 Grade 5
23	06435700	2	Washer-Flat-Steel .38 x .88 x .083
24	05802600	1	Pin-Roll .16 x .88
25	01213100	1	Bearing Spacer
26	02457400	2	Idler
27	06435700	2	Washer-Flat-Steel .38 x .88 x .083
28	06529800	2	Nut-Locking-Center .31-18
29	07053700	2	Pin-Lock .31 x 1.75
30	06806700	1	Rivet-Tubular .19 x .44
31	03229100	1	Brake Lining
32	07234000	1	V-Belt, Auger Impeller Drive
33	06601800	1	Key-Straight .25 x 1.75 x .25
34	03239700	1	Sheave-Engine-Blower
35	06005500	6	Screw-Set .31-18 x .38
36	01021100	1	Spur Gear
37	06601500	1	Key-Woodruff .13 x .63 x .25
38	07231000	1	V-Belt 3L-Section 36.32 x .38 (Traction Drive)
39	06530400	3	Nut-Locking-Flange .31-18
40	03232700	1	Pulley-Camshaft
41	03205000	1	Hub
42	07005300	3	Bolt-Serrated Round Head Slotted .31-18 x .75
43	06219200	1	Bolt-Round Head Square Neck .31-18 x 1.25 Grade 5
44	01305900	1	Shoulder Spacer
45	06441400	4	Washer-Flat-Steel .75 x 1.13 x .062
46	05800300	2	Pin-Roll .19 x 1.25
47	02483100	1	Cord, Extension 120 V (101)
48	72403600	1	120 V Starter Kit (101)
49	02460200	1	Guard, Muffler (309)
50	07413600	2	Screw-tapping 10-16 x .75 (309)
51	06308100	2	Washer-Locking 10 x .05 (309)
52	06442700	2	Washer-Flat Steel .22 x .50 x .05 (309)
53	21533400	AR	Plug, Spark

ENGINE, BELT DRIVE, HANDLEBARS AND CONTROLS-520/624

Model 932102, 103, 310



PS0533

Item	Part No.	Qty.	Description
1	07008200	2	Nut-Push .31 Diameter
2	03230251	1	Upper Handlebar
3	03215651	1	Bail
4	08264000	1	Engine, 5HP Tecumseh L-Head-Recoil (102)
	08264200	1	Engine, 6HP OHV Tecumseh- Recoil (310)
	08264100	1	Engine, 6HP OHV-120V Tecumseh (103)
5	03238000	1	Cover, Belt
6	07411600	2	Screw-Tapping .25-20 x .37 Hex Washer Head
7	06439100	2	Washer-Flat-Steel .38 x .87 x .18
8	03209251	1	Belt Finger

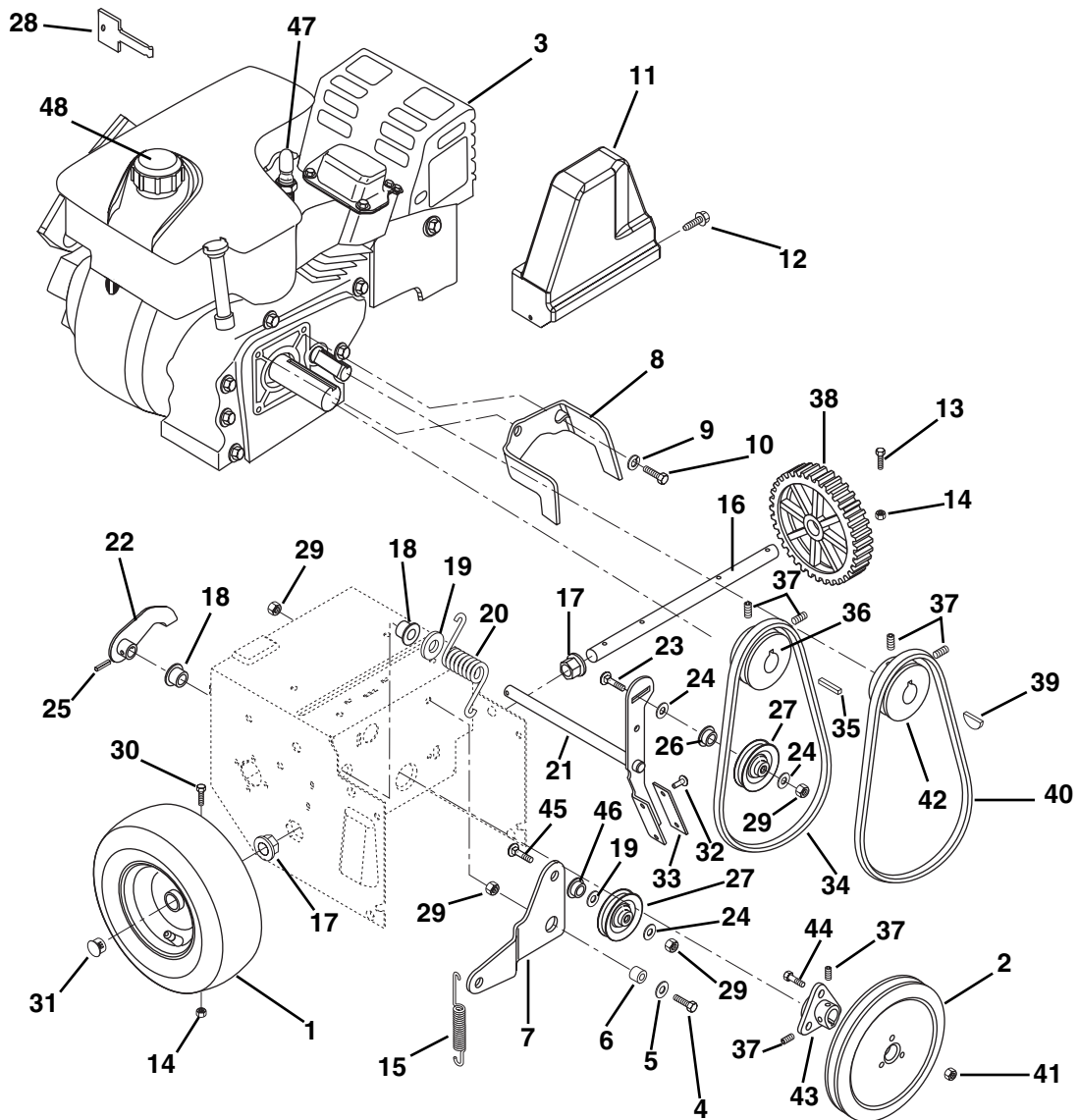
ENGINE, BELT DRIVE, HANDLEBARS AND CONTROLS-520/624

Model 932102, 103, 310

Item	Part No.	Qty.	Description
9	06307400	2	Washer-Locking .31 x .10 Heavy
10	05947300	2	Bolt-Hex .31-24 x .75 Grade 5
11	06300100	2	Washer-Locking .31 x .093 Medium
12	06005500	2	Screw-Set .31-18 x .38
13	03207700	1	Engine Sheave
14	06601300	1	Key-Square .19 x 1.00 x .19 SAE 8630 or SAE 1035
15	07211400	1	V-Belt 4L-Section 34.97 x .53
16	06529800	1	Nut-Locking-Center .31-18
17	06806700	2	Rivet-Tubular .19 x .44 Right Hand Steel
18	53202300	1	Brake Clutch Arm with lining
19	06212100	1	Bolt-Round Head Square Neck .31-18 x 1.50 Grade 5
20	08322000	1	Spring-Torsion .15 x 1.00 x 1.53
21	07414100	4	Screw-Tapping .38-16 x 1.00 Hex Washer Head Thread Rolling
22	06221600	2	Bolt-Round Head Square Neck .31-18 x 2.25
23	06439400	2	Washer-Flat-Steel .33 x .88x .062
24	07531700	2	Knob- Wing .31-18
25	03242051	1	Handlebar, Lower
26	06945800	1	Cable, Auger Drive
27	07047100	4	Bolt Serrated Hex Flange Washer Head .31-18 x .62 Grade 5
28	06530400	4	Nut-Locking-Flange .31-18
29	01208600	1	Cap .50 Rod
30	05707400	2	Ring-Retaining-External .75 x .05
31	06441400	4	Washer-Flat-Steel .75 x 1.13 x .062
32	07156200	2	Wheel
	07121300	2	Tire 4.10/3.50 x 6
	07105000	2	Tube 4.10 x 3.50-6
	07156100	2	Tire/Wheel Assembly
33	06446800	2	Washer, Saddle-.32 x .94 x .062
34	03245800	1	Axle
35	03245951	1	Frame, Main
36	03215151	1	Arm
37	02217800	1	Brake Lining
38	06435700	2	Washer-Flat-Steel .38 x .875 x .083
39	01213100	1	Spacer, Bearing
40	02457400	1	Idler
41	06529700	1	Nut-Locking-Center .25-20
42	05513400	1	Bushing-Flange .27 x .44 x .25 x .75
43	05946800	1	Bolt-Hex .25-20 x .75 Grade 5
44	07412900	4	Screw-Tapping .38-16 x .50 Hex Washer Head
45	03230451	1	Shield, Muffler (102)
46	21533400	AR	Plug, Spark

ENGINE AND BELT DRIVE-724

Model 932035, 503



PS0750

Item	Part No.	Qty.	Description
1	07148500	2	Wheel
	07105000	2	Tube 4.10 x 3.50-6
	07121300	2	Tire 4.10/3.50 x 6
	07148400	2	Tire/Wheel Assembly
2	07307400	1	Pulley-V 8.0 x 1.25
3	08261400	1	Engine, 7 HP OHV Tecumseh (503)
	08264800	1	Engine, 7 HP OHV Tecumseh - 120V (035)
4	05947000	1	Bolt-Hex .31-18 x .75 Grade 5
5	06435700	1	Washer-Flat-Steel .38 x .88 x .083
6	01035800	1	Spacer Bushing
7	03206900	1	Idler Arm
8	03238100	1	Belt Finger
9	06308600	1	Washer-Locking .31 x .078

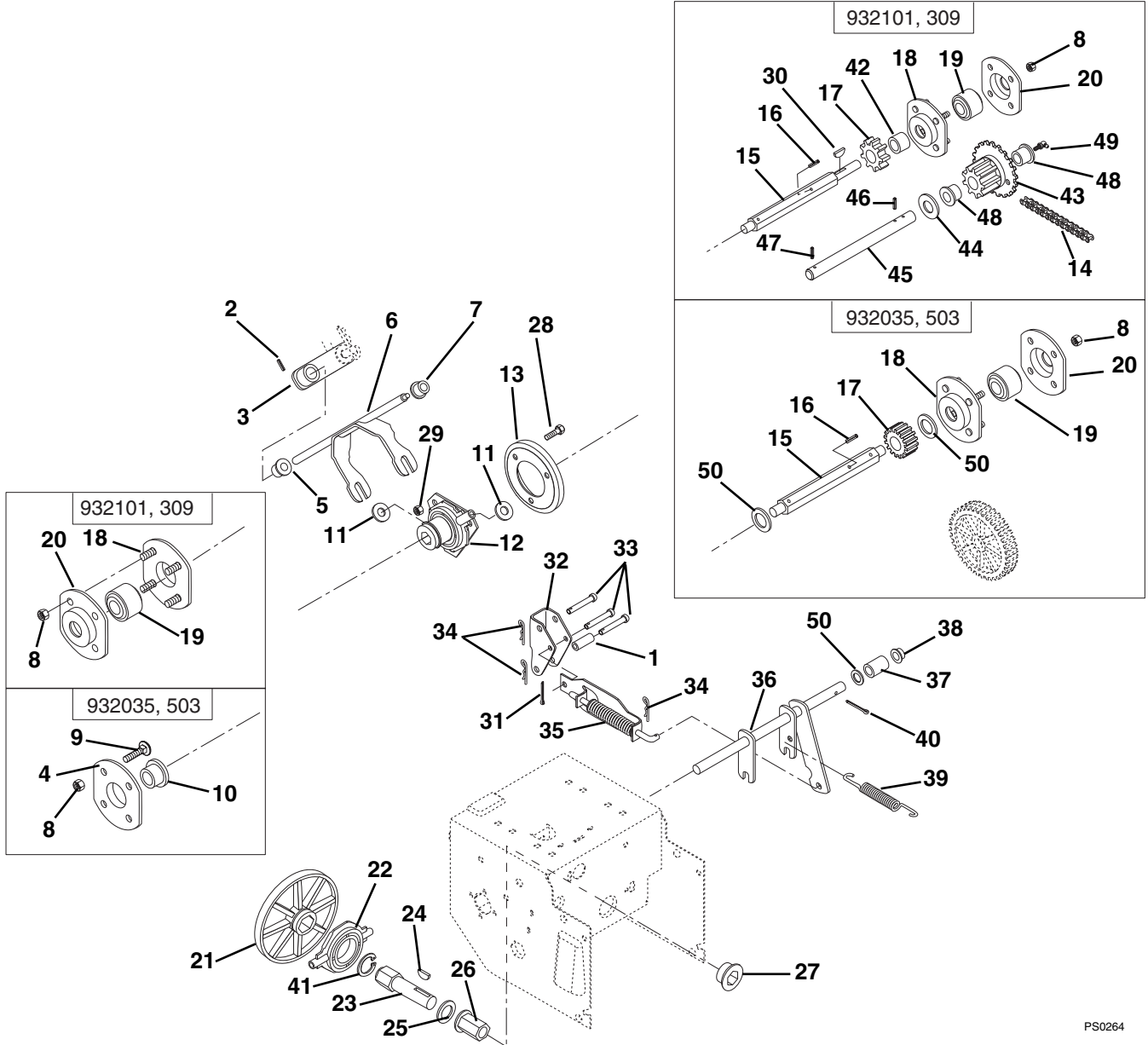
ENGINE AND BELT DRIVE-724

Model 932035, 503

Item	Part No.	Qty.	Description
10	05947300	1	Bolt-Hex .31-24 x .75 Grade 5
11	03238000	1	Belt Cover
12	07411600	2	Screw-Tapping Hex Washer Head .25-20 x .37
13	05953000	1	Bolt-Hex .25-20 x 1.75 Grade 8
14	06529700	1	Nut-Locking-Center .25-20
15	08317200	1	Spring-Tension .05 x .44 x 3.37
16	03235800	1	Shaft, Axle
17	05521600	2	Bushing-Flange-Hex .75 x .87 x .53 x 1.18
18	05503700	2	Bushing-Flange .50 x .63 x .31 x .75
19	06439600	2	Washer-Flat-Steel .52 x .81 x .033
20	08322000	1	Spring-Torsion .15 x 1.00 x 1.53
21	53205100	1	Clutch Arm with Brake Pad (Includes items 32 & 33)
22	03231900	1	Arm-Clutch
23	06219200	1	Bolt-Round Head Square Neck .31-18 x 1.50 Grade 5
24	06435700	3	Washer-Flat-Steel .38 x .88 x .083
25	05802600	1	Pin-Roll .16 x .88
26	01213100	1	Bearing Spacer
27	02457400	2	Idler
28	07532000	AR	Key, Push/Pull- Tecumseh
29	06529800	3	Nut-Locking-Center .31-18
30	05953000	2	Bolt-Hex .25-20 x 1.75 Grade 8
31	07508700	2	Hole Plug
32	06806700	1	Rivet-Tubular .19 x .44
33	03229100	1	Brake Lining
34	07232500	1	V-Belt, Auger Impeller Drive
35	06601300	1	Key-Square .19 x 1.00 x .19 SAE 8630 or SAE 1035
36	03229200	1	Sheave-Engine
37	06005500	6	Screw-Set .31-18 x .38
38	03226000	1	Gear
39	06601500	1	Key-Woodruff .13 x .63 x .250
40	07210700	1	V-Belt 3L-Section 34.50 x .406
41	06530400	3	Nut-Locking-Flange .31-18
42	03228400	1	Pulley-Camshaft
43	03205000	1	Hub
44	07005300	3	Bolt-Serrated Round Head Slotted .31-18 x .75
45	06219200	1	Bolt-Round Head Square Neck .31-18 x 1.25 Grade 5
46	01305900	1	Shoulder Spacer
47	21533500	AR	Plug, Spark
48	07531800	AR	Cap, Fuel-Tecumseh

FRICTION DRIVE

Model 932035, 101, 309, 503



PS0264

Item	Part No.	Qty.	Description
1	03233600	1	Spacer
2	05802600	1	Pin-Roll .16 x .88
3	03240151	1	Arm, Speed Control
4	53211500	1	Flange and Bushing (Includes Item 10) (035, 503)
5	05503700	1	Bushing-Flange .50 x .63 x .31 x .75
6	03231700	1	Fork-Speed
7	05514500	1	Bushing-Flange .33 x .44 x .44 x .56
8	06530600	8	Nut-Locking Dual Face 10-24
9	06214200	4	Bolt-Round Head Square Neck 10-24 x .38 Grade 5 (035, 503)
10	05511000	1	Bushing-Flange .50 x .75 x .63 x .94 (035, 503)
11	06439200	2	Washer-Flat-Steel .51 x 1.00 x .062
12	03235300	1	Shift Carrier

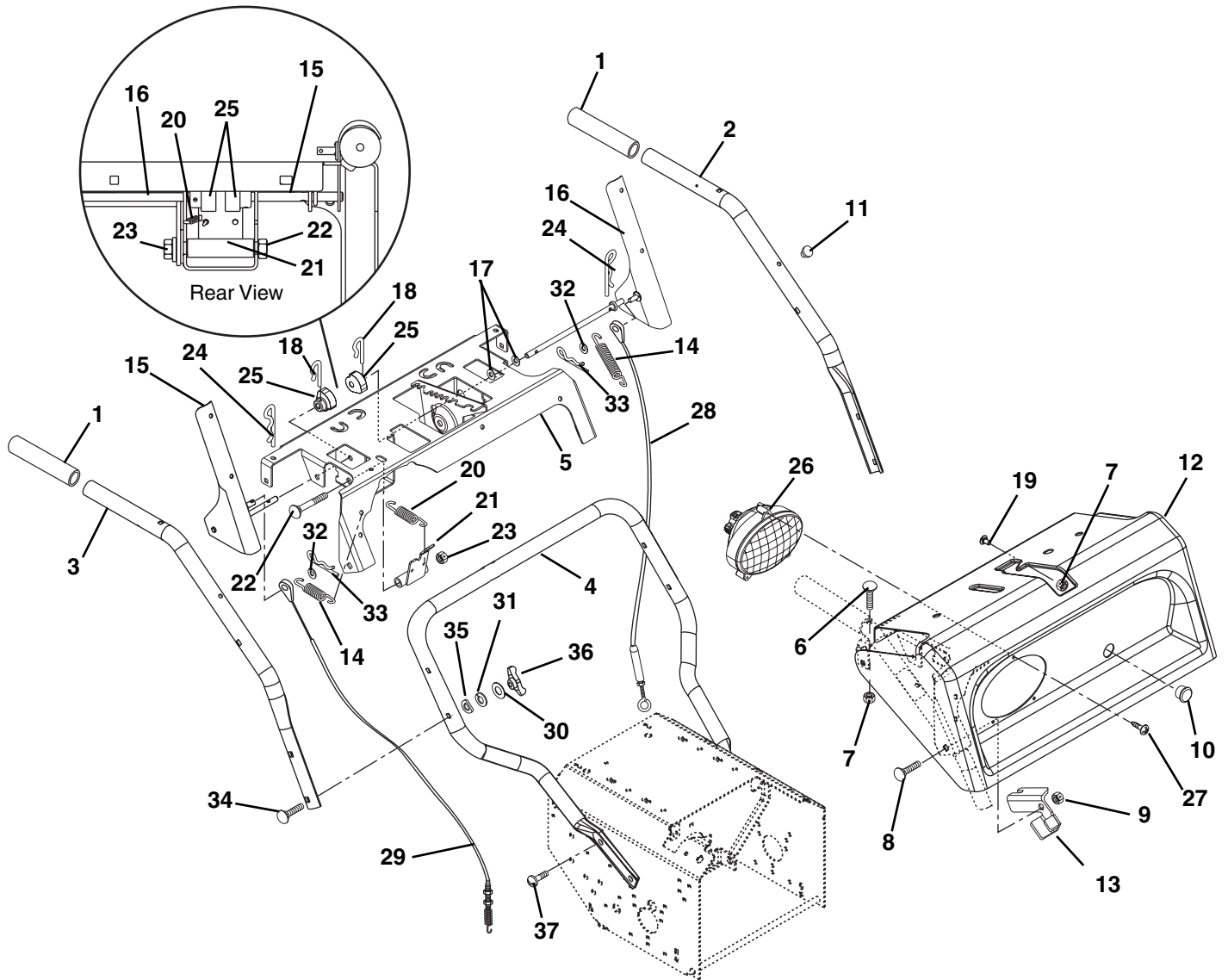
FRICTION DRIVE

Model 932035, 101, 309, 503

Item	Part No.	Qty.	Description
13	03240700	1	Friction Disc
14	03232800	1	Chain-Roller #41 x 26 Pitches (101, 309)
15	03232900	1	Hex Shaft (101, 309)
	03207300	1	Hex Shaft (035, 503)
16	05804700	2	Pin-Roll .125 x .88 (101, 309)
	05804700	3	Pin-Roll .125 x .88 (035, 503)
17	01027600	1	Sprocket-9 Tooth (101, 309)
	02201100	1	Pinion (035, 503)
18	00308500	2	Bearing-Flange
19	05408000	2	Bearing-Ball .50 x 1.38 x .44
20	03226900	2	Bearing-Flange (101, 309)
	03226900	1	Bearing-Flange (035, 503)
21	03201100	1	Friction Plate
22	03225900	1	Bearing Assembly
23	03200700	1	Hex Shaft
24	06600300	1	Key-Woodruff .19 x .75
25	06417300	1	Washer-Flat-Steel .63 x .44 x 1.56
26	05512000	1	Bushing-Flange .63 x .88 x .75 1.19
27	05512100	1	Bushing-Flange .88 x 1.25 x .75 x 1.50
28	05947900	3	Bolt-Hex .25-20 x .50 Grade 5
29	06529700	3	Nut-Locking-Center .25-20
30	06601500	1	Key-Woodruff .13 x .63 x .25 SAE 5 (101, 309)
31	06704100	1	Pin-Cotter .07 x .50
32	03248000	1	Bracket, Traction Arm
33	06714700	3	Pin,Clevis .243/.248 x 1.38
34	06713500	3	Pin-Hair Internal .08 x .18 x 1.18
35	53209100	1	Assembly-Traction Clutch (101, 309)
	53205500	1	Assembly-Traction Clutch (035, 503)
36	03221100	1	Clutch Fork
37	03231500	1	Spacer .50 x .75 x .32
38	01208600	1	Cap .50 Rod
39	08314100	1	Spring-Tension .06 x .44 x 1.56
40	06707100	1	Pin-Cotter .12 x 1.0
41	05704300	1	Ring-Retaining-External 1.25 x .05
42	03233100	1	Spacer .51 x .75 x .62 (101, 309)
43	53205400	1	Assembly-Pinion and Sprocket (Includes Item 48) (101, 309)
44	06436100	1	Washer-Flat-Steel .63 x 1.01 x .062 (101, 309)
45	03232600	1	Pinion Shaft (101, 309)
46	05800900	2	Pin-Roll .13 x 1.00 (101, 309)
47	05802900	1	Pin-Roll .16 x 1.00 (101, 309)
48	05502600	2	Bushing-Flange .63 x .75 x .50 x .88 (101, 309)
49	07029700	1	Drive Fitting, Hydraulic (101, 309)
50	06441900	3	Washer-Flat-Steel .53 x 1.06 x .095 (035, 503)

HANDLEBARS AND CONTROLS-724/824

Model 932035, 101, 309, 503



PS0692

Item	Part No.	Qty.	Description
1	07518700	2	Handle Grip
2	02491951	1	Handlebar, Upper-Right Hand
3	02492051	1	Handlebar, Upper-Left Hand
4	03242951	1	Handlebar, Lower
5	02491651	1	Panel, Sub

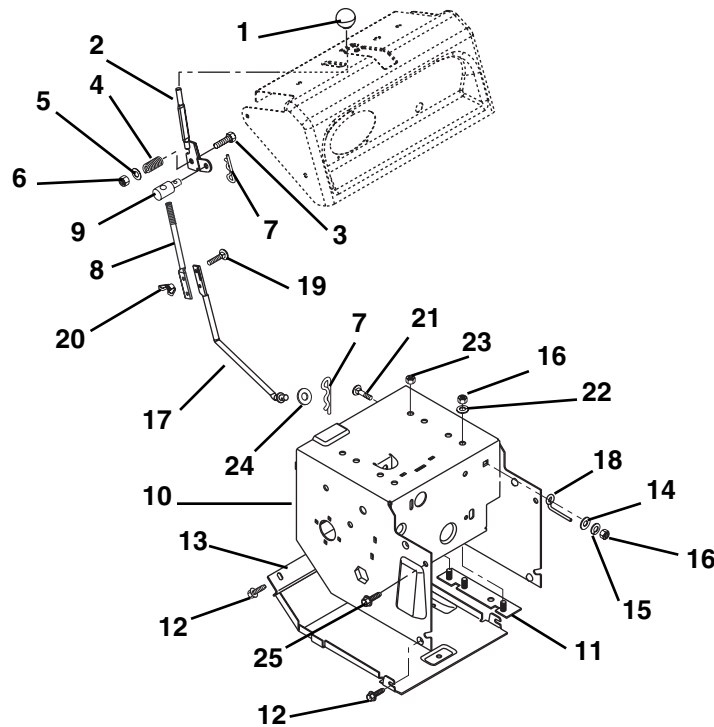
HANDLEBARS AND CONTROLS-724/824

Model 932035, 101, 309, 503

Item	Part No.	Qty.	Description
6	06220100	2	Bolt-Round Head Square Neck .25-20 x 1.25
7	06529700	7	Nut-Locking-Center .25-20
8	06220200	2	Bolt-Round Head Square Neck .31-18 x 1.75 Grade 5
9	06529800	2	Nut-Locking-Center .31-18
10	07511200	1	Bushing-Snap (101, 309)
11	07511800	2	Bumper
12	53210800	AR	Panel with Decal - 824 (101, 309)
	53210900	AR	Panel with Decal - 724 (035, 503)
13	03244951	1	Bracket, Cable Anchor
14	08337100	2	Spring-Tension .06 x .50 x 3.76
15	02493100	1	Lever, Right Hand - Coated
16	02493200	1	Lever, Left Hand - Coated
17	06437200	4	Washer-Flat-Steel .34 x .69 x .065
18	06714500	2	Pin, Spring Clip (101, 309)
19	06214300	5	Bolt-Round Head Square Neck .25-20 x .50
20	08337000	1	Spring-Tension .05 x .44 x 1.45 (101, 309)
21	02492200	1	Arm, Interlock (101, 309)
22	05957800	1	Bolt-Hex .38-16 x 3.00 Grade 5 (101, 309)
23	06529600	1	Nut-Locking-Center .38-16 (101, 309)
24	06714800	2	Pin-Hair
25	02492100	2	Cam, Interlock (101, 309)
26	02485000	1	Headlamp, Oval with 1156 Bulb (101, 309)
27	07416700	3	Screw-Tapping 10-16 x .75 Hi-Lo (101, 309)
28	06948900	1	Cable, Traction
29	06947600	1	Cable, Auger
30	06439400	4	Washer-Flat-Steel .33 x .88 x .062
31	06307400	4	Washer-Locking .31 x .10 Heavy
32	06437300	2	Washer-Flat-Steel .28 x .62 x .065
33	06701900	2	Pin-Hair-Internal .06 x .18 x .77
34	06221600	4	Bolt-Round Head Square Neck .31-18 x 2.25
35	06446800	4	Washer, Saddle-.32 x .94 x .062
36	07531700	4	Knob- Wing .31-18
37	07047100	4	Bolt Serrated Hex Flange Washer Head .31-18 x .62 Grade 5

SPEED SELECTOR AND FRAME

Model 932035, 101, 309, 503

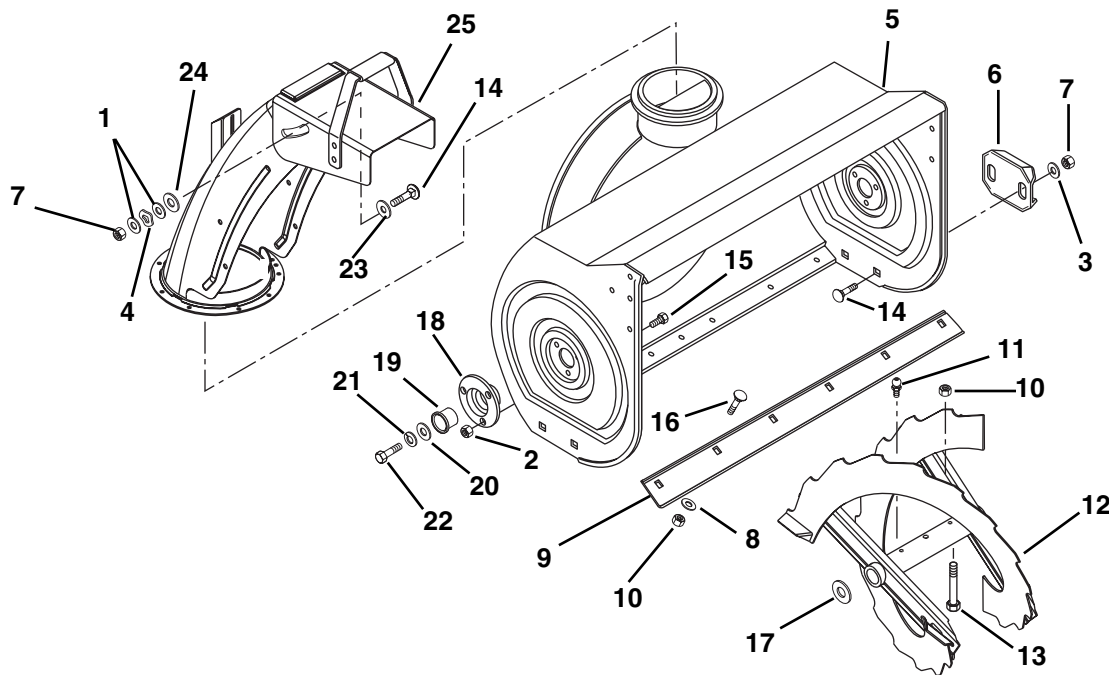


PS0701

Item	Part No.	Qty.	Description
1	07533500	1	Knob, Ball-Black 1-.41, .38-16
2	02492551	1	Lever, Shift
3	05963300	1	Bolt-Hex .38-16 x 2.00 Grade 5
4	08335700	1	Spring-Compression .13 x .78 x 1.25
5	06435900	1	Washer-Flat-Steel .44 x 1.00 x .083
6	06529600	1	Nut-Locking-Center .38-16
7	06713500	2	Pin-Hair Internal .08 x .18 x 1.18
8	02492800	1	Rod, Shift-Upper
9	02493000	1	Pivot, Rod
10	03240559	1	Main Frame
11	03233800	1	Plate-Bolt 5L, 8R
	03233900	1	Plate-Bolt 5R, 8L
12	07411600	4	Screw-Tapping .25-20 x .37 Hex Washer Head
13	03232459	1	Cover Bottom
14	06435700	1	Washer-Flat-Steel .38 x .88 x .08
15	06308600	1	Washer-Locking .31 x .08 Regular
16	06529200	4	Nut-Hex .31-18 (101, 309)
	06529200	5	Nut-Hex .31-18 (035, 503)
	06529800	1	Nut-Locking-Center .31-18 (101, 309)
17	03239500	1	Rod, Shift-Lower
18	03236300	1	Belt Finger Lower
19	06219800	2	Bolt-Round Head Square Neck .25-20 x 1.00 Grade 5
20	06537500	2	Nut-Locking Wing .25-20
21	06216100	1	Bolt-Round Head Square Neck .31-18 x 1.00 Grade 5
22	06307400	3	Washer, Locking .31 x .10 Heavy (101, 309)
	06307400	4	Washer, Locking .31 x .10 Heavy (035, 503)
	06310500	1	Washer, Locking .31 (101, 309)
	06436700	1	Washer-Flat-Steel .323 x .625 x .062 (101, 309)
23	06530200	2	Nut-Locking-Nylon .31-18
24	06441900	1	Washer-Flat-Steel .53 x 1.06 x .095
25	07415400	4	Screw-Tapping .38-16 x .75 Hex Washer Head

AUGER AND CHUTE

Model 932101, 309

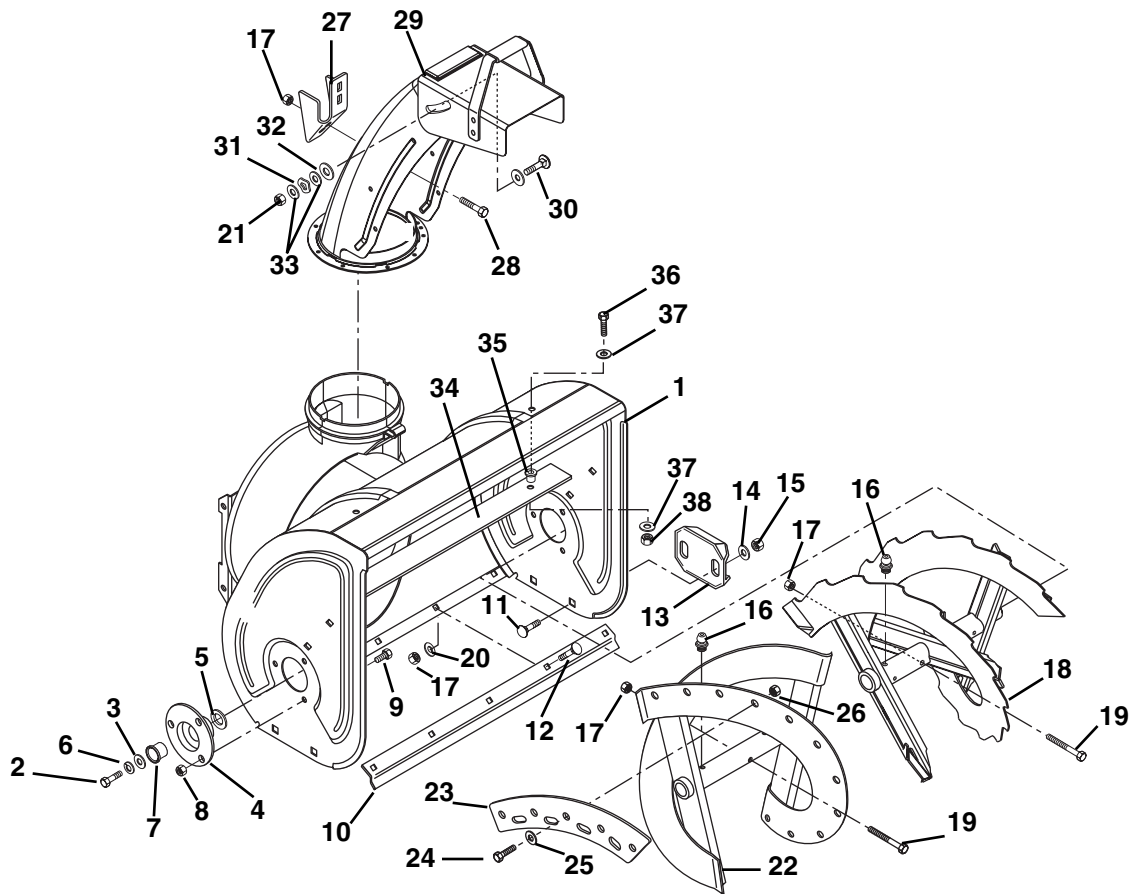


PS0710

Item	Part No.	Qty.	Description
1	06436200	2	Washer-Flat-Steel .41 x .81 x .065
2	06530100	6	Nut-Lock-Flange .25-20
3	06435900	4	Washer-Flat-Steel .44 x 1.00 x .83
4	01320200	1	Wave Washer
5	53208700	1	Housing, 24" Blower
6	02483859	2	Runner, Double Flange
7	06529600	5	Nut-Locking .375-16
8	06435700	5	Washer-Flat-Steel .38 x .88 x .083
9	01016459	1	Scraper Blade 24"
10	06529800	7	Nut-Locking-Center .31-18
11	07012600	4	Fitting-Lube .25-28 x .26
12	52411600	1	Rake, Right Hand - 24" (15" O.D.) (Includes Item 11)
	52411500	1	Rake, Left Hand- 24" (15" O.D.) (Includes Item 11)
13	51001500	2	Shear Bolt Service Assembly (Includes Item 10)
14	06211800	5	Bolt-Round Head Square Neck .38-16 x .75
15	07028600	6	Bolt-Serrated-Neck-Slotted .25-20 x .50
16	06212200	5	Bolt-Round Head Square Neck .312-18 x .62
17	06436300	2	Washer-Flat Steel 1.01 x 1.51 x .062
18	02437451	2	Bearing Support
19	05503500	2	Bushing-Flange 1.00 x 1.12 x .62 x 1.50
20	06436400	2	Washer-Flat-Steel .51 x 1.44 x .125
21	06306600	2	Washer-Lock .50 x .151
22	05947100	2	Bolt-Hex .50-13 x 1.00
23	06441100	1	Washer-Flat-Steel .52 x .83 x .062
24	06416800	1	Washer-Plastic .39 x .88 x .062
25	52410900	1	Chute, Discharge without Remote

AUGER AND CHUTE

Model 932035, 102, 103, 310, 503



PS0770

Item	Part No.	Qty.	Description
1	53209600	1	Housing, 20" Blower (102)
	53209200	1	Housing, 24" Blower (035, 503)
	53210000	1	Housing, 24" Blower (103, 310)
2	05947200	2	Bolt-Hex .31-18 x .50 Grade 5
3	06446900	2	Washer-Flat-Steel .35 x 1.25 x .05
4	53203100	2	Bearing Flange Assembly (Includes Item 7)
5	06439000	2	Washer-Flat-Steel .81 x 1.50 x .14

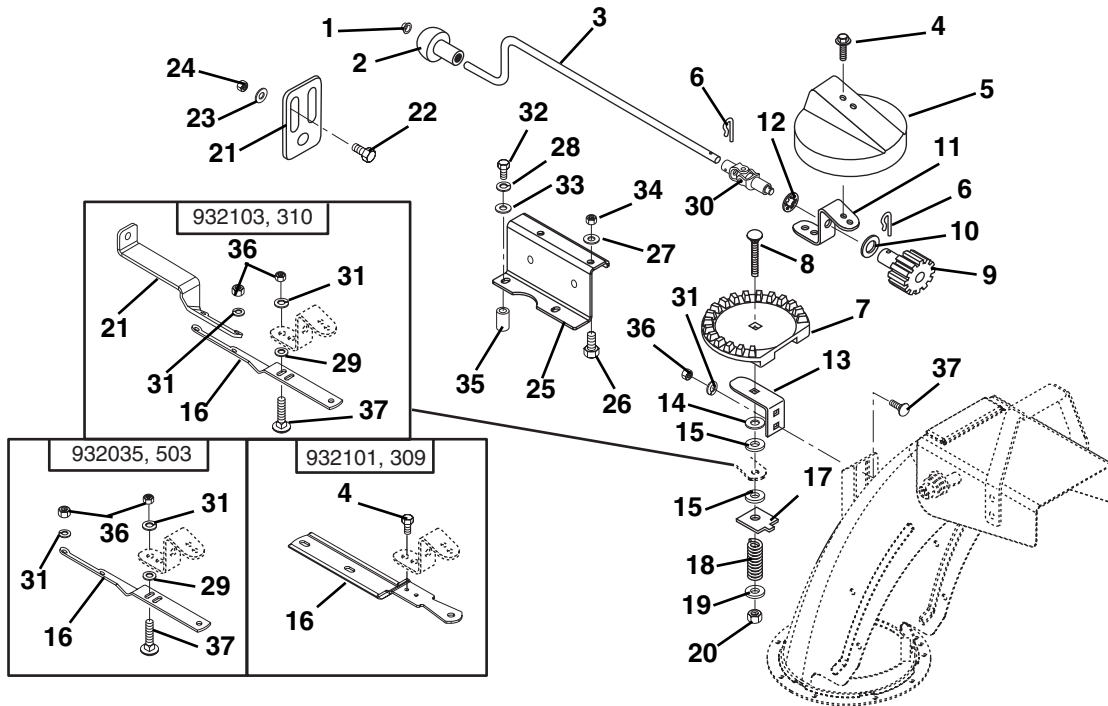
AUGER AND CHUTE

Model 932035, 102, 103, 310, 503

Item	Part No.	Qty.	Description
6	06308600	2	Washer-Locking .31 x .08 Regular
7	05503900	2	Bushing-Flange .75 x 1.00 x .63 x 1.25
8	06530100	6	Nut-Locking-Flange .25-20
9	07028600	6	Bolt-Serrated Neck Slotted .25-20 x .50
10	03243659	1	Scraper Blade 20" (102)
	03208159	1	Scraper Blade 24" (035, 503)
	03243259	1	Scraper Blade 24" (103, 310)
11	06211800	4	Bolt-Round Head Square Neck .38-16 x .75 (035, 503)
12	06214300	5	Bolt-Round Head Square Neck .25-20 x .50 (035, 503)
	06220600	5	Bolt-Round Head Square Neck .25-20 x .50 (102, 103, 310)
13	02483859	2	Runner, Double Flange (035, 503)
14	06435700	4	Washer-Flat-Steel .38 x .88 x .08 (035, 503)
15	06529600	4	Nut-Locking-Center .38-16 (035, 503)
16	07061300	4	Zerk, Fitting .25 x .125
17	06529700	9	Nut-Locking-Center .25-20
18	53207800	1	Rake Right Hand 24" with Zerks(Includes Items 16) (035, 503)
	53207900	1	Rake Left Hand 24" with Zerks(Includes Items 16) (035, 503)
19	53200500	2	Shear Bolt with Nut (Includes Items 17)
20	06437300	5	Washer-Flat-Steel .28 x .62 x .065
21	06529800	1	Nut-Locking-Center .31-18
22	53204100	1	Rake, Right-20 .75 ID x 10.5 OD (102)
	53210600	1	Rake, Right Hand 24" Auger Propel (103, 310)
	53208100	1	Rake, Left-20" .75 I.D. x 10.5 O.D. (102)
	53210500	1	Rake, Left Hand 24" Auger Propel (103, 310)
23	53201800	1	Rake Edge with Hardware (Includes Items 24 - 26) (102)
	53210300	1	Rake Edge with Hardware- 24" (Includes Items 24 - 26) (103, 310)
24	05944800	40	Bolt-Hex 10-24 x .63 (102)
	05944800	48	Bolt-Hex 10-24 x .63 (103, 310)
25	06444400	40	Washer-Flat-Steel .19 x .50 x .05 (102)
	06444400	48	Washer-Flat-Steel .19 x .50 x .05 (103, 310)
26	06504100	40	Nut-Locking Top 10-24 (102)
	06504100	48	Nut-Locking Top 10-24 (103, 310)
27	03237751	1	Chute Strap (035, 103, 310, 503)
28	05947900	2	Bolt-Hex .25-20 x .50 Grade 5 (035, 103, 310, 503)
29	53208400	1	Chute, Discharge with Cap and Decal
30	06220800	1	Bolt-Round Head Square Short Neck .31-18 x .75
31	01320200	1	Wave Washer
32	06416800	1	Washer-Plastic .39 x .88 x .06
33	06437200	2	Washer-Flat-Steel .34 x .69 x .065
34	03245559	1	Bar, Weight-5 Lbs. (035, 503)
35	01305900	2	Shoulder Spacer (035, 503)
36	05946900	2	Bolt-Hex .31-18 x 1.00 Grade 5 (035, 503)
37	06437200	4	Washer-Flat-Steel .344 x .688 x .065 (035, 503)
38	06529800	2	Nut-Locking-Center .31-18 (035, 503)

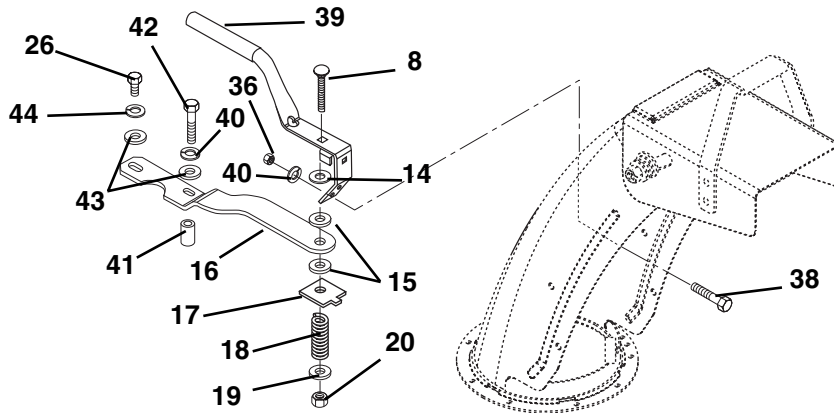
DISCHARGE CHUTE CRANK

Model 932035, 101, 103, 309, 310, 503



PS0723

Model 932102



PS0781

Item	Part No.	Qty.	Description
1	01019800	1	Cap, 3/8 Rod (035, 101, 103, 309, 310, 503)
2	07508300	1	Knob (035, 101, 103, 309, 310, 503)
3	02492900	1	Crank, Chute (101, 309)
	02490700	1	Crank, Chute (035, 503)
	03241200	1	Crank, Chute (103, 310)
4	07412000	4	Screw .25-20 x .50 Hex Washer Head Self Tapping (101, 309)
	07412000	2	Screw .25-20 x .50 Hex Washer Head Self Tapping (035, 103, 310, 503)
5	03223000	1	Cover, Gear (035, 101, 103, 309, 310, 503)
6	06714500	2	Pin-Spring Clip (101, 309)
	06714500	1	Pin-Spring Clip (035, 103, 310, 503)
7	03222900	1	Gear, Chute (035, 101, 103, 309, 310, 503)
8	06224400	1	Bolt-Round Head Square Neck .38-16 x 2.50 Grade 5 (035, 101, 103, 309, 310, 503)
	06213400	1	Bolt-Round Head Square Neck .38-16 x 2.25 (102)

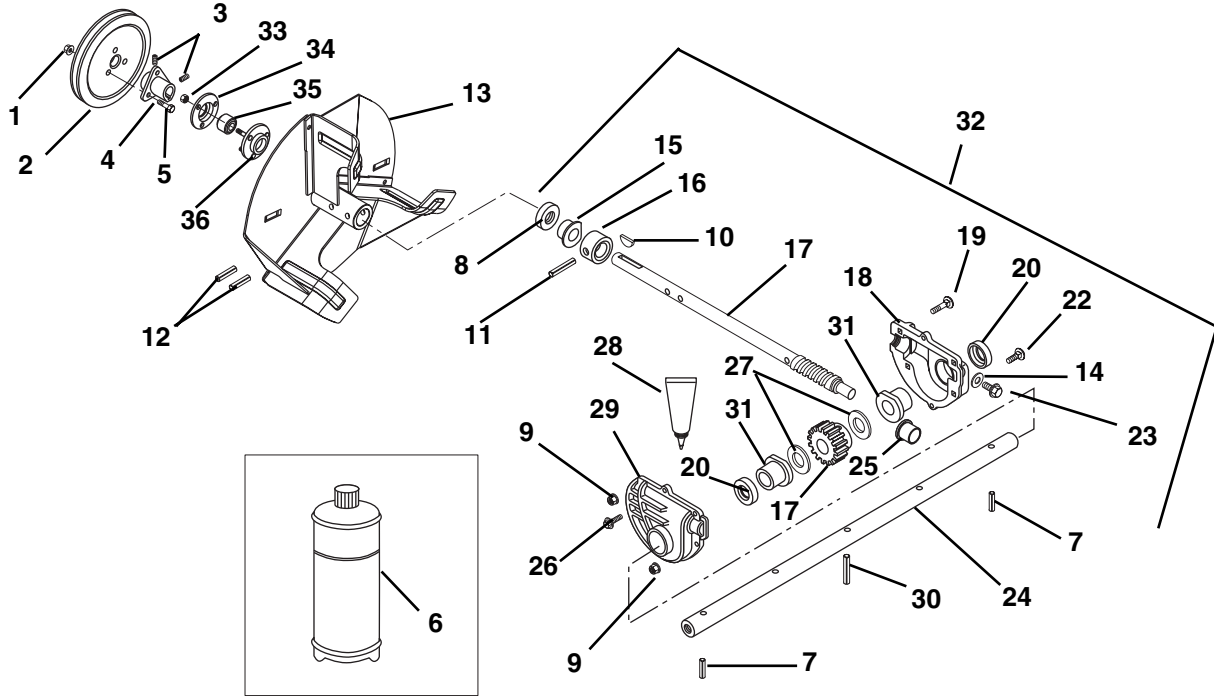
DISCHARGE CHUTE CRANK

Model 932035, 101, 102, 103, 309, 310, 503

Item	Part No.	Qty.	Description
9	53204400	1	Pinion Gear with Bracket (Contains Items10-12) (035, 101, 103, 309, 310, 503)
10	06436100	1	Washer-Flat-Steel .63 x 1.01 x .062 (035, 101, 103, 309, 310, 503)
11	03220551	1	Bracket, Gear (035, 101, 103, 309, 310, 503)
12	03224300	1	Push Nut (035, 101, 103, 309, 310, 503)
13	03220751	1	Gear Strap (035, 101, 103, 309, 310, 503)
14	06439300	1	Washer-Flat-Steel .38 x 1.50 x .062 (035, 101, 103, 309, 310, 503)
	06442000	1	Washer-Flat-Steel .56 x 1.38 x .109 (102)
15	01123800	2	Friction Washer
16	02486651	1	Bracket, Chute Support (101, 309)
	03242751	1	Bracket, Chute Support (035, 103, 310, 503)
	03243051	1	Bracket, Chute Support (102)
17	03219000	1	Friction Plate
18	08320900	1	Spring-Compression .19 x .56 x 1.62
19	06436200	1	Washer-Flat-Steel .41 x .81 x .065
20	06529600	1	Nut-Locking-Center .38-16
21	02492451	1	Bracket, Chute Crank Support (101, 309)
	03245051	1	Bracket, Chute Crank Support (035, 503)
	03241151	1	Bracket, Chute Crank Support (103, 310)
22	05947900	2	Bolt-Hex .25-20 x .50 Grade 5 (035, 101, 309, 503)
23	06437300	2	Washer, Flat Steel .281 x .62 x .065 (035, 101, 309, 503)
24	06529700	2	Nut-Locking-Center .25-20 (035, 101, 309, 503)
25	00646600	1	Bracket, Engine (101, 309)
26	05947000	2	Bolt-Hex .31-18 x .75 Grade 5 (101, 309)
	05947000	1	Bolt-Hex .31-18 x .75 Grade 5 (102)
27	06435800	2	Washer-Flat-Steel .31 x .73 x .065 (101, 309)
28	06308600	2	Washer, Lock .31 x .08 (101, 309)
29	06437300	2	Washer-Flat-Steel .281 x .62 x .065 (035, 103, 310, 503)
30	02495900	1	Universal Joint (101, 309)
31	06308400	1	Washer-Locking .25 x .062 (101, 309)
	06308400	5	Washer-Locking .25 x .062 (035, 103, 310, 503)
32	05947500	2	Bolt-Hex .31-18 x 1.25 Grade 5 (101, 309)
33	06437200	2	Washer-Flat-Steel .34 x .69 x .065 (101, 309)
34	06529800	2	Nut-Locking-Center .31-18 (101, 309)
35	03233600	2	Spacer (101, 309)
36	06533200	1	Nut-Hex .25-20 (101, 309)
	06533200	2	Nut-Hex .25-20 (102)
	06533200	5	Nut-Hex .25-20 (035, 103, 310, 503)
37	06219900	1	Bolt-Round Head Square Neck .25-20 x .75 (101, 309)
	06219900	3	Bolt-Round Head Square Neck .25-20 x .75 (035, 103, 310, 503)
38	05947900	2	Bolt-Hex .25-20 x .50 Grade 5 (102)
39	03244300	1	Handle, Coated Chute (102)
40	06308000	2	Washer-Locking .25 x .08 Heavy (102)
41	03217300	1	Spacer .28 x .63 x .64 (102)
42	05952500	1	Bolt-Hex .25-20 x 1.50 Grade 5 (102)
43	06439400	2	Washer-Flat-Steel .33 x .88 x .062 (102)
44	06307400	1	Washer-Locking .31 x .10 Heavy (102)

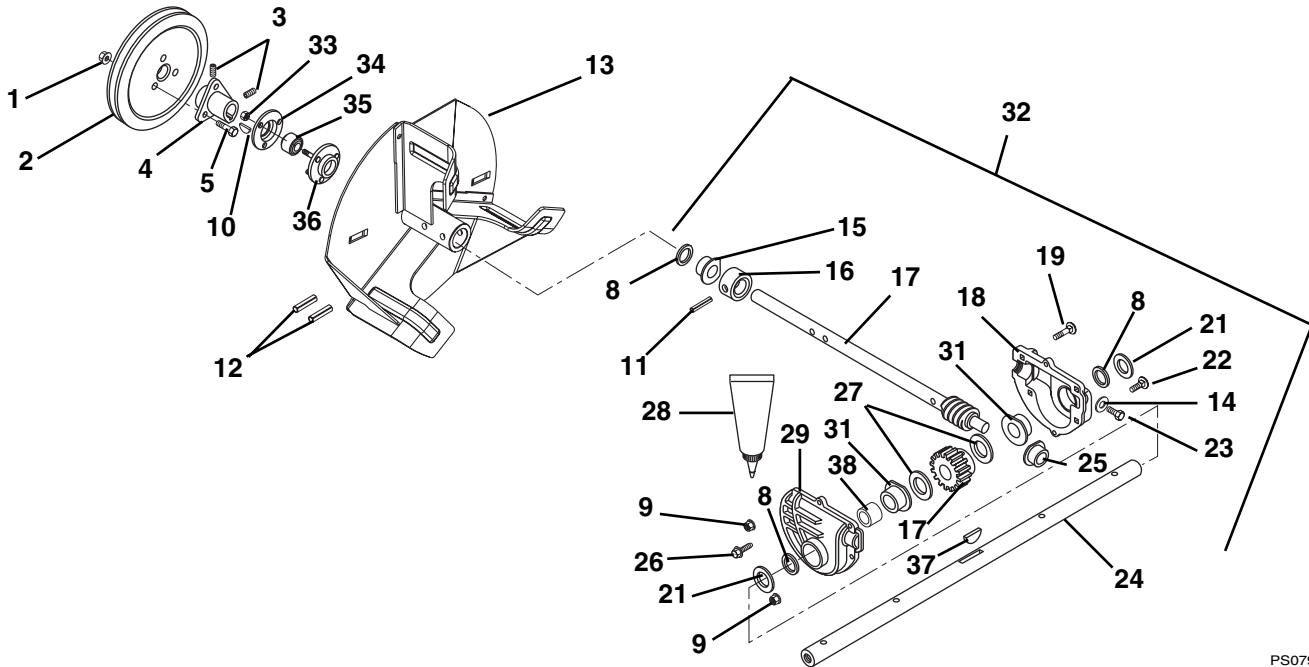
GEAR CASE AND IMPELLER

Model 932101, 309



PS0731

Model 932035, 102, 103, 310, 503



PS0791

Item	Part No.	Qty.	Description
1	06530400	3	Nut-Locking-Flange .31-18
2	07316300	1	Pulley-V 8.50 x 1.25 (035, 101, 309, 503)
	07310300	1	Pulley-V 7.0 x 1.25 (102, 103, 310)
3	06005500	2	Screw-Set .31-18 x .38
4	50202100	1	Hub Assembly (Includes Item 3)
5	07005300	3	Bolt-Serrated Round Head Slotted .31-18 x .75

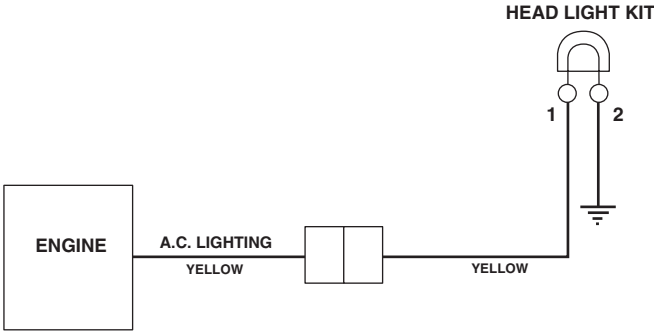
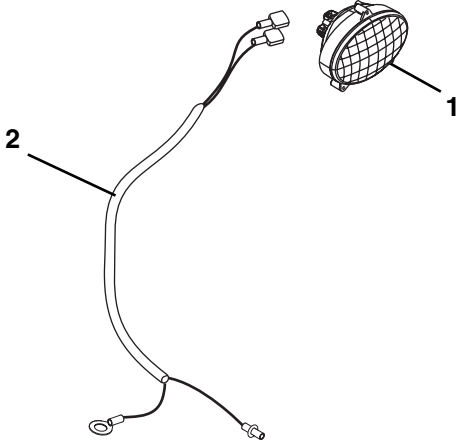
GEAR CASE AND IMPELLER

Model 932035, 101, 102, 103, 309, 310, 503

Item	Part No.	Qty.	Description
6	00008000	1	Ariens 16 oz. Bottle of L2 Lube
7	05803000	2	Pin-Roll .19 x 1.50 (101, 309)
8	05618900	1	Seal-Oil .75 x 1.38 x .31 (101, 309)
	05618900	3	Seal-Oil .75 x 1.38 x .31 (035, 102, 103, 310, 503)
9	06530100	4	Nut-Locking-Flange .25-20
10	06600100	1	Key-Woodruff .19 x .88 x .38
11	05804500	1	Pin-Groove .19 x 1.25
12	05803700	2	Pin-Roll .25 x 1.75 (101, 309)
	05800700	2	Pin-Roll .25 x 1.25 (035, 102, 103, 310, 503)
13	02477251	1	Impeller .75 I.D. x 12" O.D. (101, 309)
	00643051	1	Impeller .75 I.D. x 10" O.D. (035, 102, 103, 310, 503)
14	06442500	1	Washer-Fiber .44 x .67 x .032
15	05511200	1	Bushing-Flange .75 x 1.00 x .75 x 1.25
16	03210300	1	Thrust Collar
17	53208800	1	Shaft & Worm Gear Assembly (101, 309)
	53200100	1	Shaft & Worm Gear Assembly (035, 102, 103, 310, 503)
18	02470600	1	Case-Gear Left Hand Large Bore
19	06219700	2	Bolt-Round Head Square Neck .25-20 x 1.25
20	05618800	2	Seal 1.00 x 1.38 (101, 309)
21	06439000	2	Washer-Flat-Steel .81 x 1.50 x .14 (035, 102, 103, 310, 503)
22	06219800	2	Bolt-Round Head Square Neck .25-20 x 1.00 Grade 5
23	07412900	1	Screw-Tapping .38-16 x .50
24	02438300	1	Shaft, Rake 24" (101, 309)
	03203600	1	Shaft, Rake 20" (102)
	03208200	1	Shaft, Rake 24" (035, 103, 310, 503)
25	05520600	1	Bushing-Flange .50 x 1.00 x .75
26	07413000	2	Screw-Tapping-Hex Washer Head 10-24 x .75
27	06416600	2	Washer-Hard-Thrust 1.01 x 1.54 x .062 (101, 309)
	06416100	2	Washer-Hard-Thrust .76 x 1.40 x .062 (035, 102, 103, 310, 503)
28	00031700	1	Loctite Gasket 518
29	02470700	1	Case-Gear Right Hand Large Bore
30	05806900	1	Pin-Groove .31 x 1.44 Type C
31	05530100	2	Bushing-Flange 1.00 x 1.12 x 1.50 x .50 (101, 309)
	05531100	2	Bushing-Flange .75 x 1.13 x .50 x 1.50 (035, 102, 103, 310, 503)
32	53208900	1	Case-Gear Assembly-24" (101, 309)
	53206900	1	Case-Gear Assembly-20" (102)
	53208200	1	Gear Case Assembly- 24" (035, 103, 310, 503)
33	06529700	3	Nut-Locking-Center .25-20
34	01014200	1	Bearing Flange
35	05406300	1	Bearing-Ball .75 x 1.75 x .50
36	00301700	1	Bearing Flange
37	06601400	1	Key-Woodruff .19 x .63 x .25 SAE 61 (035, 102, 103, 310, 503)
38	05531200	1	Bushing-Sleeve .76 x 1.50 x .44 (035, 102, 103, 310, 503)

ELECTRICAL AND WIRING DIAGRAM

Model 932101, 309



PS0900

Item	Part No.	Qty.	Description
1	02485000	1	Headlamp, Oval with 1156 Bulb
2	03246000	1	Harness, Wire



Ariens Company
655 West Ryan Street
P.O. Box 157
Brillion, WI 54110-0157
920-756-2141
Fax 920-756-2407
www.ariens.com