

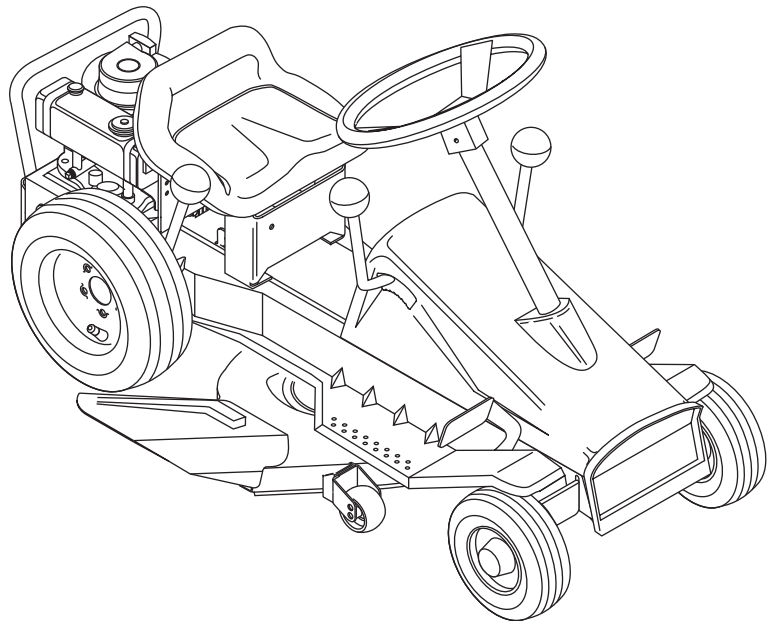


Rear-Engine Riders

Parts Manual

Models

927046 - RM1028
927053 - RM9028
927054 - RM9030
927055 - RM1332
927056 - RM1330
927306 - RM9028
927307 - RM1328
927308 - RM1332
927310 - RM1028



THE MANUAL

Before you operate your unit, carefully and completely read manuals supplied with the unit. The contents will provide you with an understanding of safety instructions and controls during normal operation and maintenance.

For your safety and the safety of others always read, understand, and follow all DANGER, WARNING, and CAUTION messages found in manuals and on safety decals.

Hardware descriptions are given in decimals.

Decimals to Fractions			
.063	1/16	.563	9/16
.125	1/8	.625	5/8
.188	3/16	.688	11/16
.250	1/4	.750	3/4
.313	5/16	.813	13/16
.375	3/8	.875	7/8
.438	7/16	.938	15/16
.500	1/2	1.00	1

SERVICE AND REPLACEMENT PARTS

When ordering replacement parts or making service inquiries, know the Model and Serial numbers of your unit and engine.

Numbers are located on the product registration card in the unit literature package. They are printed on a serial number label, located on the frame of your unit.

- Record Unit Model and Serial numbers here:

- Record Engine Model and Serial numbers here:

UNAUTHORIZED REPLACEMENT PARTS

Use only Ariens replacement parts. The replacement of any part on this vehicle with anything other than an Ariens authorized replacement part may adversely affect the performance, durability, or safety of this unit and may void the warranty. Ariens disclaims liability for any claims or damages, whether warranty, property damage, personal injury or death arising out of the use of unauthorized replacement parts.

PRODUCT REGISTRATION

A warranty registration card must be filled out, signed, and returned at time of purchase. This card activates the warranty. Claims meeting requirements during limited warranty period will be honored.

YOUR SATISFACTION IS IMPORTANT

Questions? Please follow these helpful steps:

1. Refer to the manuals supplied with your unit.
They will guide you through safe and proper operation and maintenance.
They contain specifications on your unit.
If your questions are not answered in these manuals, go to step number two.
2. Contact Your Dealer.
Our dealers will be happy to supply any service or advice required to keep your unit operating at peak efficiency.
A factory trained staff is available to support your equipment needs. They stock genuine Ariens parts and lubricants manufactured with the same precision and skill as the original.
If your questions are not resolved by the support staff, ask for the manager or owner.
When contacting your Dealer supply your model and serial numbers.

TO SPEED PARTS ORDERING:

1. Know the model and serial numbers of your unit.
2. Know the part number required.
3. Know the quantity required.
4. Know the part description.

Contents

Decals2
 Frame and Seat4
 Steering6
 Speed Selector8
 Brake and Clutch10
 Engine and Belts12
 Rear Axle14
 Solenoid15
 Gear Case16
 Electrical17
 Mower Height Linkage18
 Mower Engagement Linkage20
 Mower Pan22
 Mower Spindle24

Models

Model 927046 (RM1028e) - 10.0 HP
 Briggs & Stratton w/28" Mower
 Serial No. 000101 and up

Model 927053 (RM9028) - 9.0 HP
 Briggs & Stratton w/28" Mower
 Serial No. 000101 and up

Model 927054 (RM9030) -9.0 HP
 Briggs & Stratton w/30" Mower
 Serial No. 000101 and up

Model 927055 (RM1332) - 13.0 HP
 Briggs & Stratton w/32" Mower
 Serial No. 000101 and up

Model 927056 (RM1330) - 13.0 HP
 Briggs & Stratton w/30" Mower
 Serial No. 000101 and up

Model 927306 (RM9028) - 9.0 HP
 Briggs & Stratton w/28" Mower
 Serial No. 000101 and up

Model 927307 (RM1328) - 13.0 HP
 Briggs & Stratton w/28" Mower
 Serial No. 000101 and up

Model 927308 (RM1332) - 13.0 HP
 Briggs & Stratton w/32" Mower
 Serial No. 000101 and up

Model 927310 (RM1028) - 10.0 HP
 Briggs & Stratton w/28" Mower
 Serial No. 000101 and up

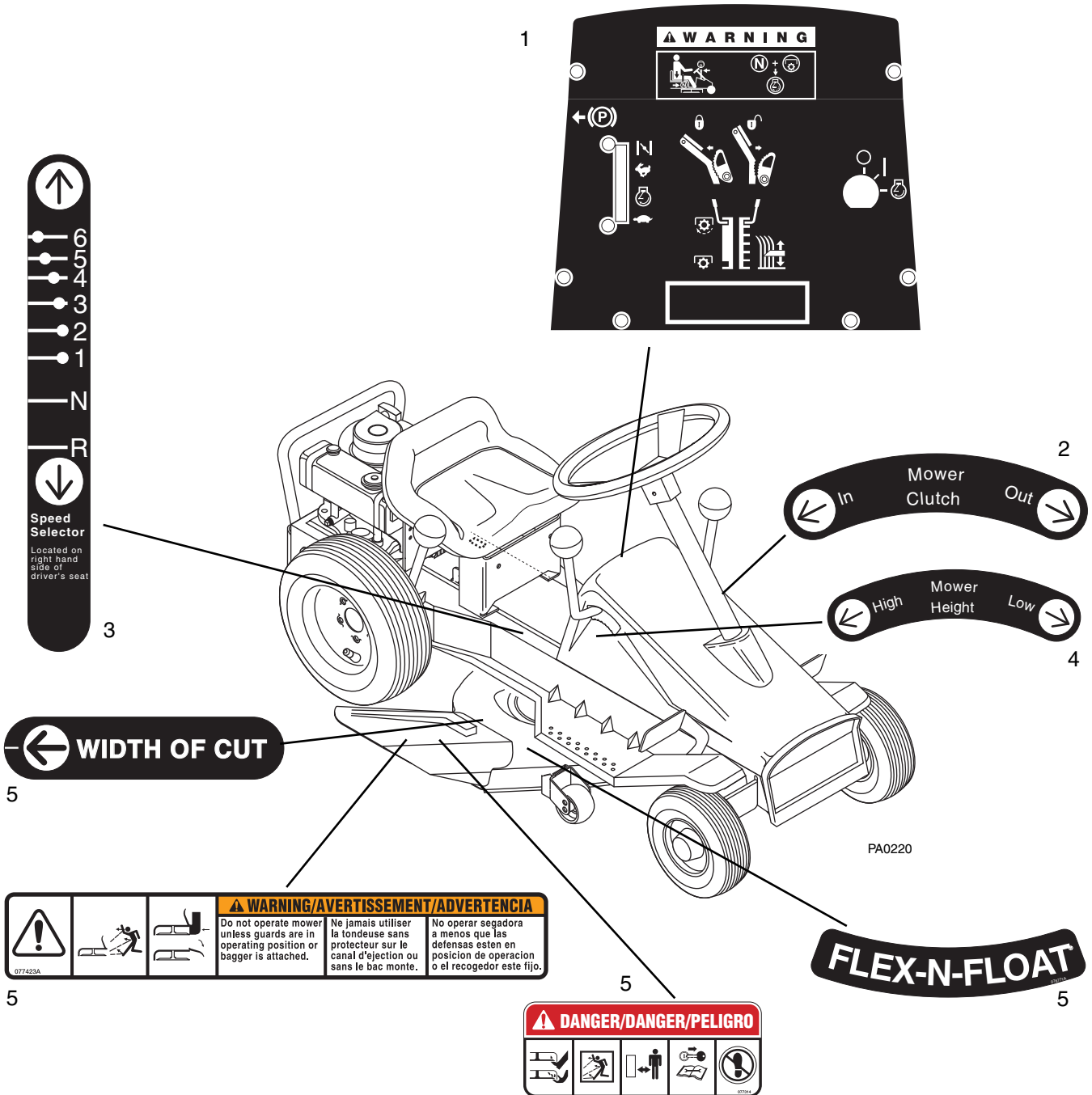
Reference Table

Hardware descriptions are given in decimals.

Decimals to Fractions			
.063	1/16	.563	9/16
.125	1/8	.625	5/8
.188	3/16	.688	11/16
.250	1/4	.750	3/4
.313	5/16	.813	13/16
.375	3/8	.875	7/8
.438	7/16	.938	15/16
.500	1/2	1.00	1

Decals

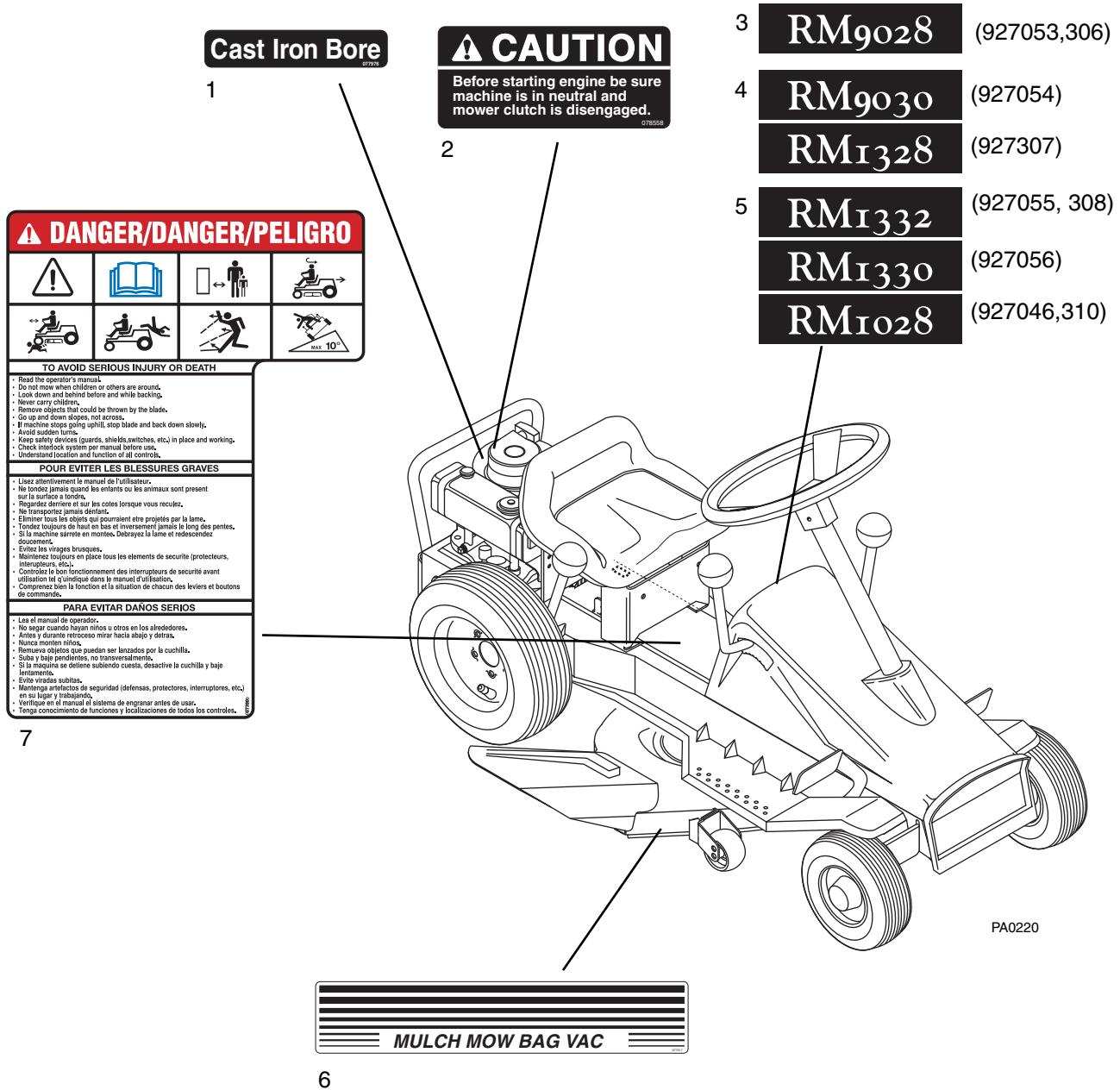
Models 927046,053,054,055,056,306,307,308,310



ITEM NO.	PART NO.	DESCRIPTION	QTY.
1	07732700	Decal Set - RM Dash (053, 054, 306, 307)	1
	05225000	Decal Set - RM Dash (046, 055, 056, 308, 310)	1
2	07855500	Mower Clutch Decal	1
3	07855200	Decal - Speed Selector	1
4	07855400	Mower Height Decal	1
5	63611400	Decal Set - Mower Deck	1

Decals

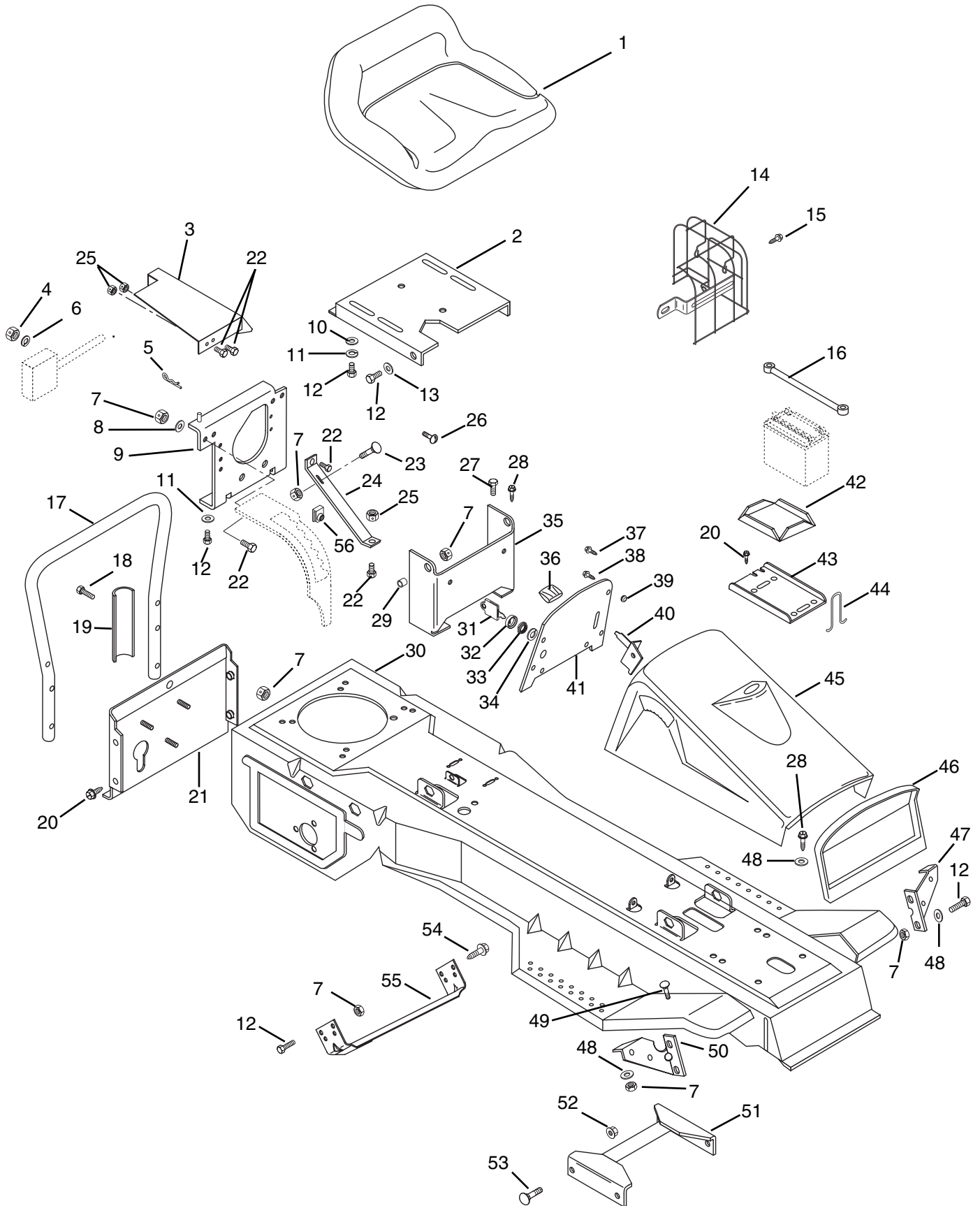
Models 927046,053,054,055,056,306,307,308,310



ITEM NO.	PART NO.	DESCRIPTION	QTY.	ITEM NO.	PART NO.	DESCRIPTION	QTY.
1	07797600	Decal - Cast Iron Bore (054,055,056,307,308)	1	5	05225000	Decal Set - RM Dash (046,055,056,308,310)	1
2	07855800	Caution Decal - Eng. Starting	1	6	07701700	Decal - Mulch-Mow-Bag-Vac (054,055,306,307,308)	1
3	07733200	Decal - 9028 (053, 306)	1	7	07859800	Operating Instructions Decal (053,054,055,056)	1
4	07732700	Decal Set - RM Dash (054, 307)	1				

Frame and Seat

Models 927046,053,054,055,056,306,307,308,310



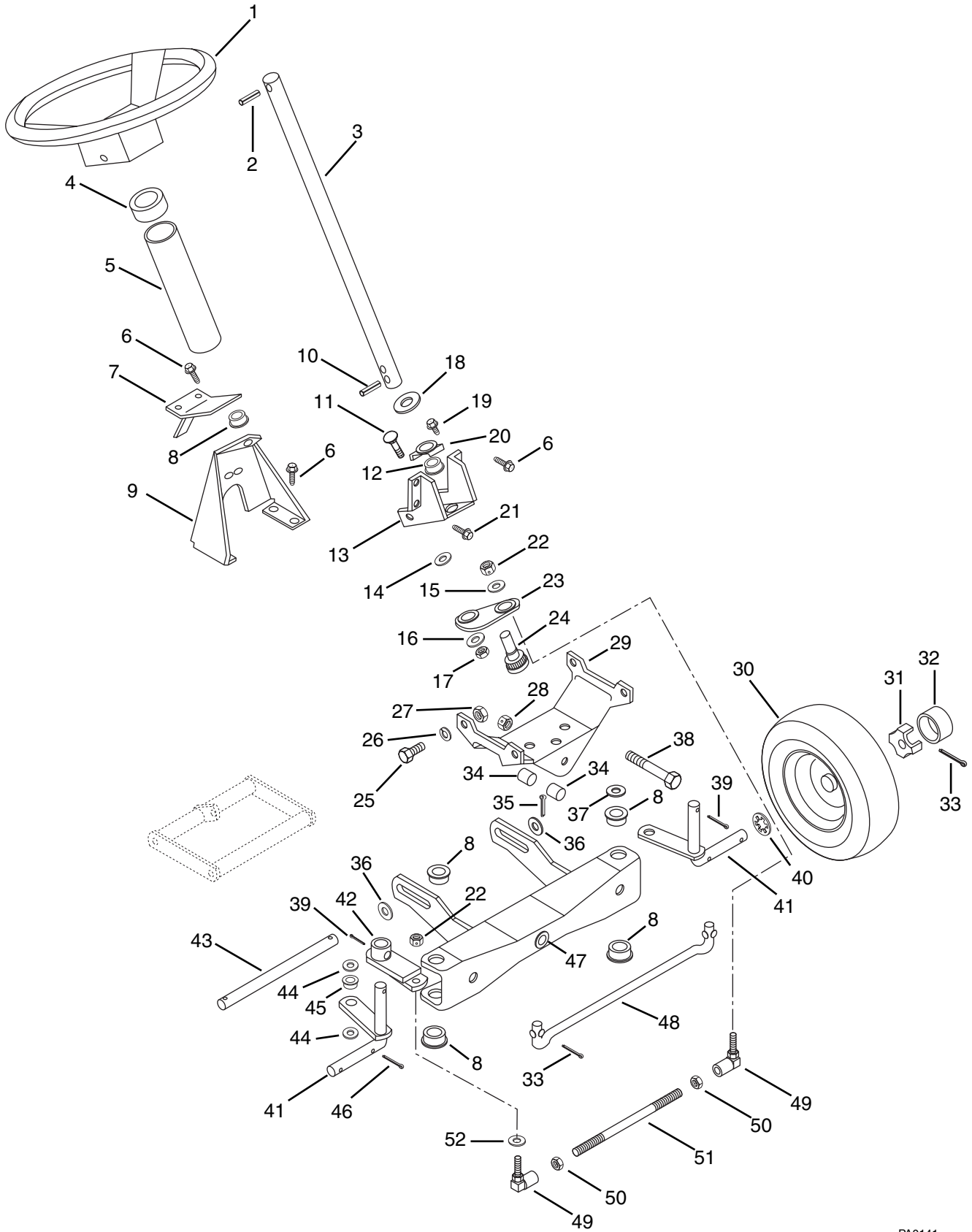
Frame and Seat

Models 927046,053,054,055,056,306,307,308,310

ITEM NO.	PART NO.	DESCRIPTION	QTY.	ITEM NO.	PART NO.	DESCRIPTION	QTY.
1	02756800	Seat V-1400 (055,056,307,308)	1	26	06116900	Screw-Machine 10-24 x .62	2
	02755200	Seat V-1300 (046,053,054,306,310)	1	27	05947200	Bolt-Hex .31-18 x .50	4
2	02743500	Seat Bracket	1	28	07412000	Screw-Tapping .25-20 x .50	4
3	02735100	Baffle (306,310)	1	29	01035800	Spacer Bushing	2
4	06536600	Nut-Hex 10-24	2	30	52700200	Frame with Decals	1
5	06713700	Pin-Hair Internal .09 x .188 x 2.00	2	31	02460900	Key Set	1
6	06310400	Washer-Locking-External .200x.402x.022	1	32	07517700	Cap-Ignition Switch	1
7	06529800	Nut-Locking-Center .31-18	18	33	06517300	Nut-Panel .625-32	1
8	06301800	Washer-Lock Internal .313 x .030	2	34	06306900	Washer-Lock Internal .625 x .045	2
9	02739100	Seat Leg Assembly	1	35	02736400	Seat Pivot Bracket	1
10	06435700	Washer-Flat-Steel .38 x .875 x .083	4	36	07501900	Knob	1
11	06307400	Washer-Lock .312 x .097	4	37	07406400	Screw-Tapping 10-12 x .50	6
12	05947000	Bolt-Hex .31-18 x .75 Grade 5	11	38	07414900	Screw-Tapping 10-24 x .375	2
13	06439400	Washer-Flat-Steel .328 x .875 x .062	2	39	07507600	Plastic Grommet	6
14	02755500	Muffler Guard (307,308)	1	40	06912700	Throttle Control	1
15	02755600	Screw (307,308)	3	41	02734500	Dash Panel - RM	1
16	07507500	Battery Strap	1	42	02530700	Rubber Pad	1
17	02701200	Standup Tube	1	43	02742300	Battery Tray	1
18	05952400	Bolt-Hex .31-18 x 1.50 Gr. 5	4	44	03640900	Hook	2
19	02722700	Service Bar Brace	2	45	02708000	Cowl	1
20	07411500	Screw-Tapping .31-18 x .50	2	46	02739500	Grille Insert & Shell Assembly	1
21	02701100	Back Cover	1	47	02718600	Left Hand Fender Brace	1
22	05947900	Bolt-Hex .25-20 x .50 Gr. 5	3	48	06436700	Washer-Flat-Steel .323 x .625 x .062	4
	05947900	Bolt-Hex .25-20x.50 Gr.5 (306,310)	5	49	06215700	Bolt-Round Head Square Neck .31-18 x .75	2
23	06212200	Bolt-Round Head Square Neck .312-18 x .62	1	50	02718700	Right Hand Fender Brace	1
24	02700400	Brace	1	51	02705200	Frame Brace	1
25	06529700	Nut-Locking-Center .25-20	2	52	06530400	Nut-Locking-Flange .312-18	4
	06529700	Nut-Locking-Center .25-20 (306,310)	4	53	06212200	Bolt-Round Head Square Neck .31-18 x .62	4
				54	07415300	Screw-Tapping .312-18 x 1.50	1
				55	02717700	Frame Brace	1
				56	07009300	Nut-Retainer .25-20	3

Steering

Models 927046,053,054,055,056,306,307,308,310



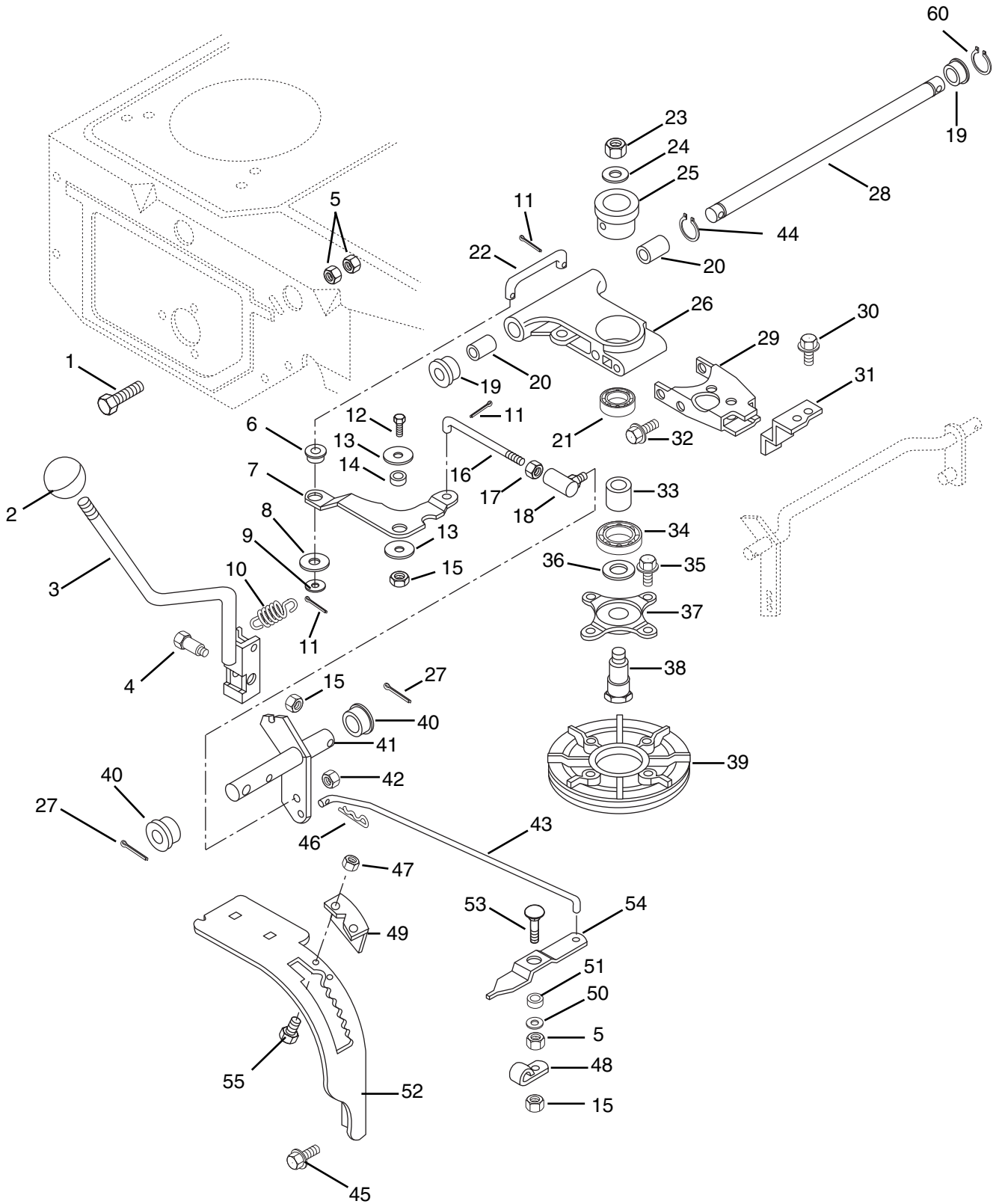
Steering

Models 927046,053,054,055,056,306,307,308,310

ITEM NO.	PART NO.	DESCRIPTION	QTY.	ITEM NO.	PART NO.	DESCRIPTION	QTY.
1	02753700	Steering Wheel 13 Inch	1	30	07126400	Tire/Wheel Assembly	2
2	05803700	Pin-Roll .250 x 1.75	1		07108000	Tire 4.10/3.50 - 4	2
3	02749100	Steering Shaft	1		05505800	Bushing-Flange .750 x 1.380	
4	07503700	Plug	1			x .750 x 1.557	4
5	02753800	Tube	1		07123100	Wheel-Compression	2
6	07411500	Screw-Tapping .31-18 x .50	11	31	01238200	Spindle Cup	2
7	02707600	Brace	1	32	00337700	Hub Cap	2
8	01212800	Flange Bushing	5	33	06707100	Pin-Cotter .12 x 1.0	4
9	02707400	Steering Support	1	34	05516400	Bushing-Sleeve .500 x .750	
10	05801600	Pin-Roll .188 x 1.00	2			x 1.560	2
11	06215500	Bolt-Round Head Square Neck .38-16 x 1.0	1	35	06706900	Pin-Cotter .09 x .75	1
12	05505300	Bushing-Flange .625 x 1.156 x .375	1	36	06436600	Washer-Flat-Steel .505 x .880 x .072	2
13	02705300	Steering Bracket	1	37	06441500	Washer-Flat-Steel .755 x 1.375 x .062	1
14	02506200	Spacer .380 x .750 x .236	1	38	05961900	Bolt-Hex .50-13 x 4.00 Gr. 5	1
15	06445100	Washer-Flat-Steel .630 x 1.250 x .062	1	39	05804000	Pin-Groove .250 x 1.25	1
16	06443400	Washer-Flat-Steel .380 x 1.500 x .125	1	40	02512000	Spindle Washer	2
17	06537200	Nut-Locking-Jam .38-16	1	41	02735300	R.H. Wheel Spindle	1
18	06418100	Washer-Hardened-Steel-Thr .515 x .97 x .062	1		02735400	L.H. Wheel Spindle	1
19	07415500	Screw-Tapping 10-24 x .25	4	42	02706300	Arm	1
20	01310000	Retaining Plate	1	43	02508600	Hanger Pin	1
21	07411500	Screw-Tapping 10-24x.25	1	44	06436000	Washer-Flat-Steel .505 x .875 x .024	4
22	06538800	Nut-Locking-Nylon .375-24	2	45	05503700	Bushing-Flange .500 x .625 x .312 x .750	2
23	02506100	Steering Gear	1	46	06712600	Pin-Cotter .12 x 1.25	3
24	02705400	Pinion	1	47	02729200	Axle	1
25	07005300	Bolt-Serrated Round Head Slotted .31-18 x .75	4	48	02706400	Tie Rod	1
26	06308800	Washer-Lock .38 x .094	4	49	02917100	Ball Joint	2
27	06530400	Nut-Locking-Flange .312-18	4	50	06534700	Nut-Jam .375-24	2
28	06536300	Nut-Locking-Center .50-13	1	51	02705800	Steering Link	1
29	02706600	Axle Bracket	1	52	06436200	Washer-Flat-Steel .406 x .812 x .065	1

Speed Selector

Models 927046,053,054,055,056,306,307,308,310



PA0111

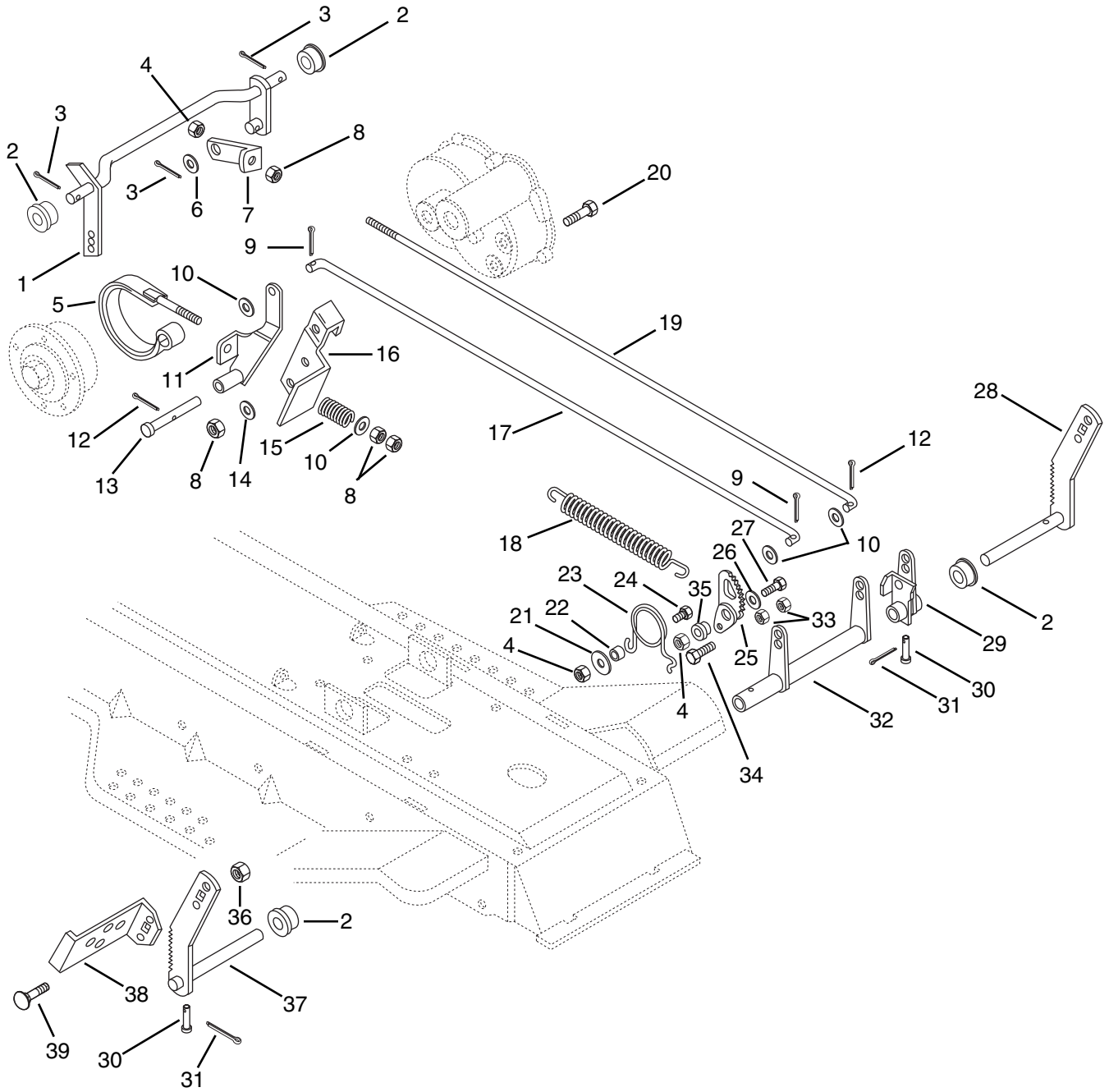
Speed Selector

Models 927046,053,054,055,056,306,307,308,310

ITEM NO.	PART NO.	DESCRIPTION	QTY.	ITEM NO.	PART NO.	DESCRIPTION	QTY.
1	05921500	Bolt-Hex .31-18 x 1.50	1	30	07411500	Screw Tapping .31-18 x .50	5
2	07534300	Knob, 1.4 Dia. .50-13	1	31	02735200	Neutral Stop	1
3	02756700	Shift Lever	1	32	07414400	Screw-Tapping .31-18 x .75	4
4	02712900	Shoulder Bolt	1				
5	06529200	Nut-Hex .31-18	3				
6	05503600	Bushing-Flange .372 x .500 x .312 x .625	1	33	05512800	Bushing-Sleeve .634 x 1.000 x .465	1
7	02700700	Bell Crank	1	34	05412000	Bearing-Ball .750 x 1.781 x .61	1
8	06441900	Washer-Flat-Steel .531 x 1.06 x .095	1	35	07412000	Screw-Tapping .250-20 x .50	4
9	06407800	Washer-Flat-Steel .38 x .626 x .033	1	36	06413400	Washer-Hardened-Thrust .758 x 1.23 x .031	1
10	08309900	Spring-Tension .92 x 69 x 1.75	1	37	02716000	Disc Adapter	1
11	06706900	Pin-Cotter .09 x .75	3	38	02715900	Spindle Bolt	1
12	05947000	Bolt-Hex .31-18 x .75 Grade 5	1	39	02528400	Disc	1
13	06439700	Washer-Flat-Steel .344 x 1.375 x .075	2	40	52709100	Drive Carrier Assembly	1
14	00607100	Spacer Bushing .5 x .32 x .21	1	41	01212800	Flange Bushing	2
15	06529800	Nut-Locking-Center .31-18	3	42	02703800	Shift Arm	1
16	02700800	Shift Rod	1	43	06537000	Nut-Locking-Center .31-24	1
17	06537400	Nut-Jam .375-24	1	44	02703900	Indicator Rod	1
18	03645500	Ball Joint-Snap In	1	45	057019	Ring-Retaining-Extention .625 x .035	2
19	01212900	Flange Bushing	2	46	07412000	Screw-Tapping .25-20 x .50	2
20	05504700	Bushing-Sleeve .625 x .750 x .500	2	47	06700300	Pin-Cotter .06 x .50	1
21	05403900	Bearing Ball .625 x 1.375 x .44	1	48	06529700	Nut-Locking-Center .25-20	4
22	02701700	Shift Link	1	49	06908300	Clip	1
23	06530000	Nut-Locking-Center .50-20	1	50	02754200	Bracket-Neutral	1
24	06418100	Washer-Hardened-Steel-Thr .515 x .97 x .062	1	51	06436700	Washer-Flat-Steel .323 x .625 x .062	1
25	02716100	Bearing Housing	1	52	01035800	Spacer Bushing	1
26	52709000	Carrier Assembly	1	53	02707000	Quadrant	1
27	06707100	Pin-Cotter .12 x 1.0	2	54	06221800	Bolt-Round Head Square Neck .31-18 x 1.0	1
28	02701900	Transfer Shaft	1	55	02704000	Indicator	1
29	02750900	Carrier Yoke	1	55	05947900	Bolt-Hex .25-20 x .50 Gr. 5	6

Brake and Clutch

Models 927046,053,054,055,056,306,307,308,310



PA0121

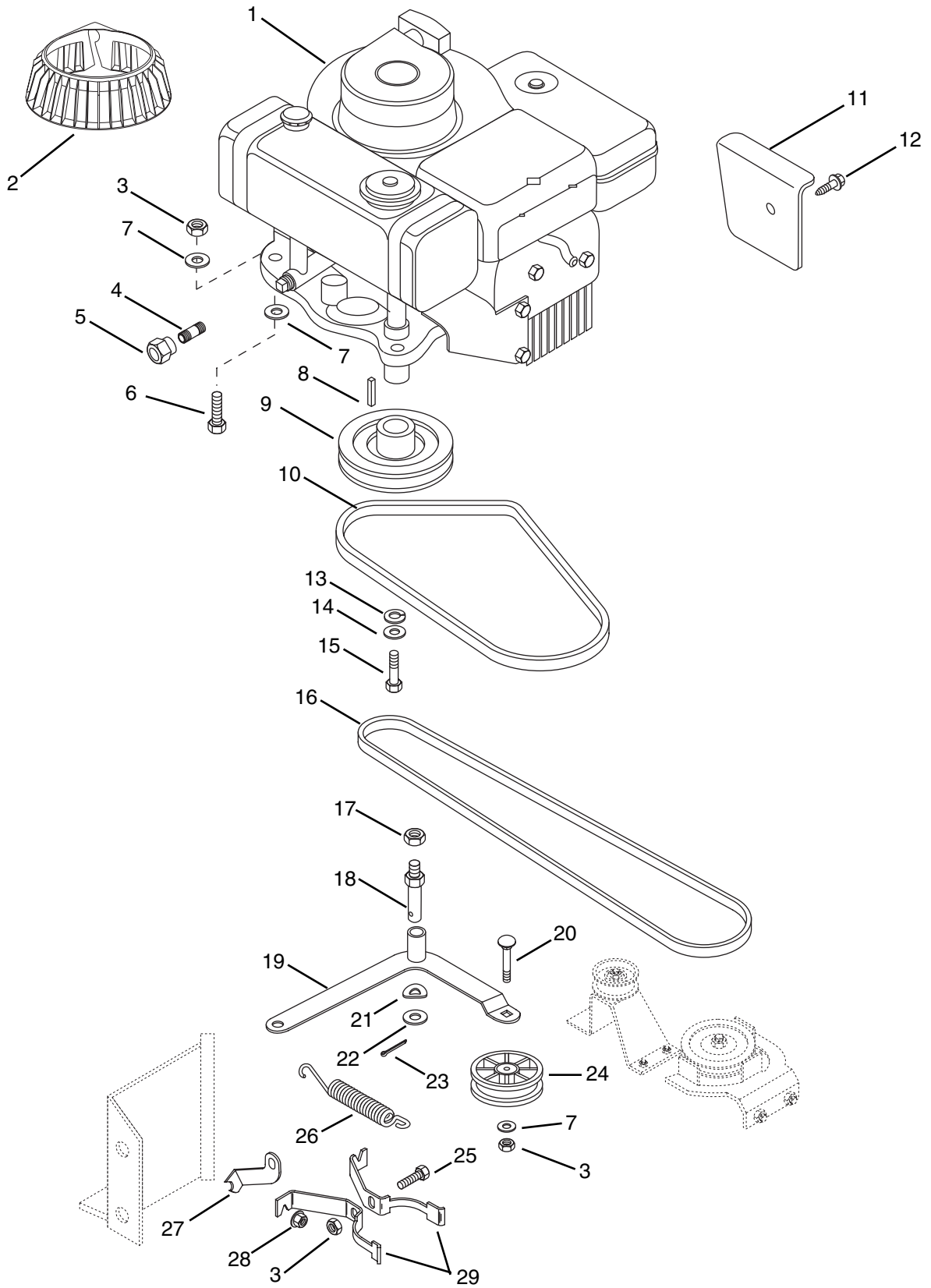
Brake and Clutch

Models 927046,053,054,055,056,306,307,308,310

ITEM NO.	PART NO.	DESCRIPTION	QTY.	ITEM NO.	PART NO.	DESCRIPTION	QTY.
1	02701300	Clutch, Shaft	1	21	06439400	Washer-Flat-Steel .328 x	
2	02505500	Flange Bushing	4			.875 x .062	1
3	06707100	Pin-Cotter .12 x 1.0	3	22	01035800	Spacer Bushing	1
4	06529800	Nut-Locking-Center .31-18	3	23	08317900	Spring-Torsion .125 x 1.0 x	
5	02503300	Brake Band	1			1.75	1
6	06439600	Washer-Flat-Steel .520 x		24	05947000	Bolt-Hex .31-18 x .75 Gr. 5	1
		.810 x .033	1	25	02519400	Brake Latch	1
7	02703500	Clutch Bracket	1	26	06435700	Washer-Flat-Steel .38 x .875	
8	06529200	Nut-Hex .31-18	5			x .083	1
9	06706900	Pin-Cotter .09 x .75	6	27	05946900	Bolt-Hex .31-18 x 1.00 Gr. 5	1
10	06436700	Washer-Flat-Steel .323 x		28	02703200	Clutch Pedal Arm	1
		.625 x .062	4	29	02713800	Clutch Arm	1
11	02702700	Brake Lever	1	30	02740000	Clevis Pin .184/.186 x 1	2
12	06707300	Pin-Cotter .12 x .75	2	31	06700300	Pin-Cotter .06 x .50	2
13	02702800	Clevis Pin .368/.373 x 3-1/4	1	32	02703300	Brake Arm	1
14	06301800	Washer-Lock Internal .313		33	06529900	Nut-Hex 8-32	2
		x .030	2	34	06117800	Screw-Machine 8-32 x 1.00	1
15	08309000	Spring-Compression .105 x		35	02519500	Spacer Shoulder .344 x	1
		.585 x .75	1			.500 x .469 x .750	
16	02702200	Brake Bracket	1	36	06537200	Nut-Locking-Jam .38-16	2
17	02703700	Brake Rod	1	37	02703400	Brake Pedal Arm	1
18	08325200	Spring-Tension .051 x .60 x		38	02706900	Pedal	2
		2.25	1	39	06211800	Bolt-Round Head Square	
19	02703600	Clutch Rod	1			Neck .38-16 x .75	2
20	07005300	Bolt-Serrated Round Head					
		Slotted .31-18 x .75	2				

Engine and Belts

Models 927046,053,054,055,056,306,307,308,310



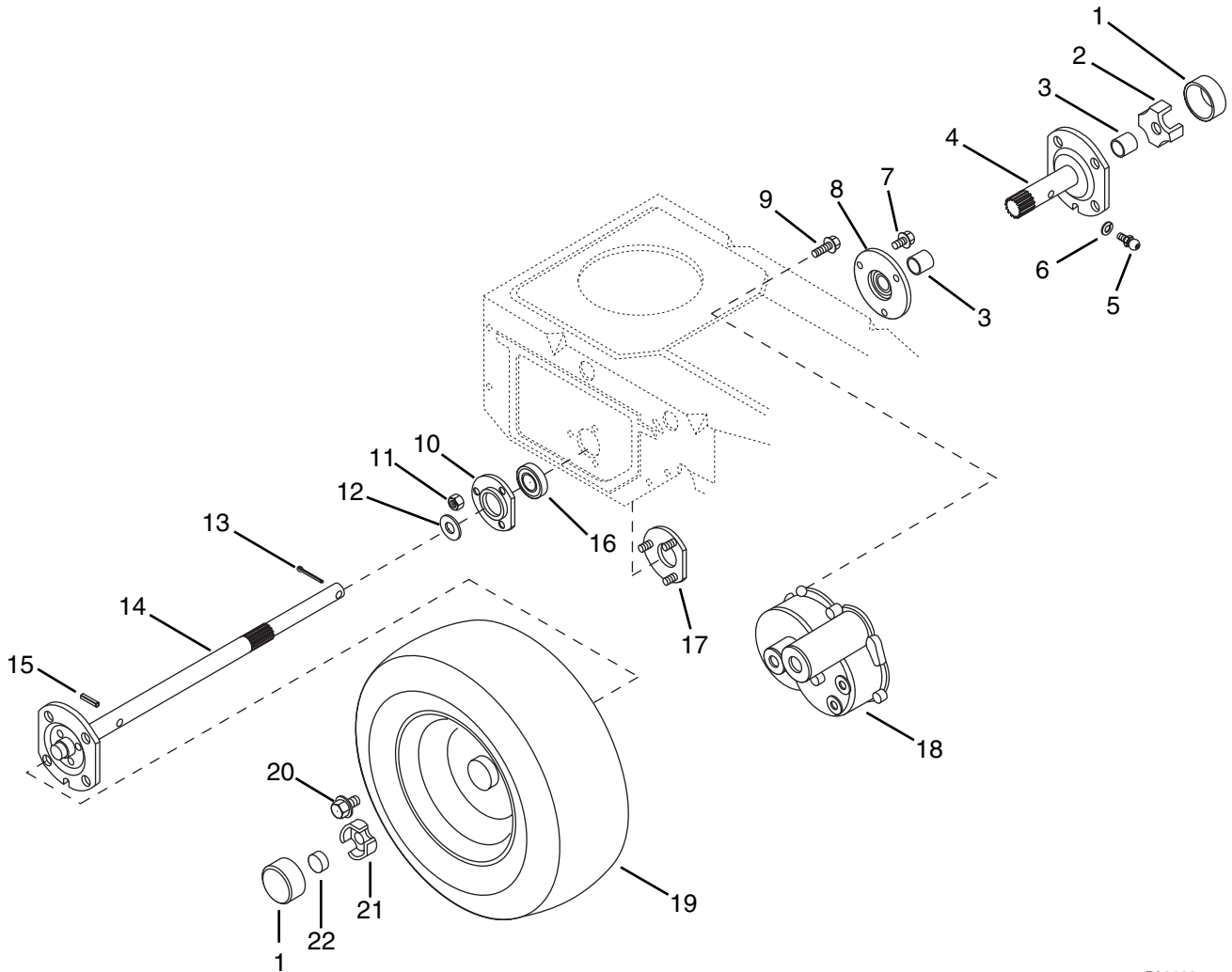
Engine and Belts

Models 927046,053,054,055,056,306,307,308,310

ITEM NO.	PART NO.	DESCRIPTION	QTY.	ITEM NO.	PART NO.	DESCRIPTION	QTY.
1	08251600	Engine - 9.0 HP B & S I/C (053,054,306)	1	15	05964800	Bolt-Hex .44-20 x 1.25 Gr 5	1
	08251700	Engine - 13 HP B & S I/C (055,056,307,308)		16	07216900	V-Belt HA 64.56 x .516 (046,053,054,056,306,307,310)	1
	08260300	Engine - 10 HP B & S non I/C (046,310)			07215500	V-Belt 4L-Section 64-3/4 x 17/32 (055,308)	1
2	02755400	Pre-Guard-Rewind (306,307, 308,310)	1	17	06529600	Nut-Locking-Center .375-16	1
3	06529800	Nut-Locking-Center .31-18	5	18	02714000	Shoulder Stud	1
4	02749600	Nipple	1	19	02700600	Idler Arm	1
5	03563600	Pipe Cap	1	20	06212100	Bolt-Round Head Square Neck .31-18 x 1.50	1
6	05952400	Bolt-Hex .31-18 x 1.50 Gr. 5	4	21	00325400	Wave Washer	1
7	06439400	Washer-Flat-Steel .328 x .875 x .062	9	22	06436000	Washer-Flat-Steel .505 x .875 x .024	1
8	06602100	Key-Straight .25 x 2.0 x .25	1	23	06706900	Pin-Cotter .09 x .75	1
9	02701000	Engine Sheave	1	24	07321600	Idler-Flat 2.75 x .31	1
10	07211200	V-Belt 3L-Section 35-1/2 x 27/64	1	25	05947000	Bolt-Hex .31-18 x .75 Gr. 5	1
11	02755700	Guard (306,310)	1	26	08319200	Spring-Tension .062 x .72 x 6.65	1
12	07412100	Screw-Tapping 10-24 x .375 (306,310)	1	27	02509200	Belt Finger Brace	1
13	06408300	Washer-Flat-Steel .505 x 1.140 x .250	1	28	06530400	Nut-Flange .312-18	3
14	06310700	Washer-Lock .438 x .133	1	29	02504400	Belt Finger	1

Rear Axle

Models 927046,053,054,055,056,306,307,308,310

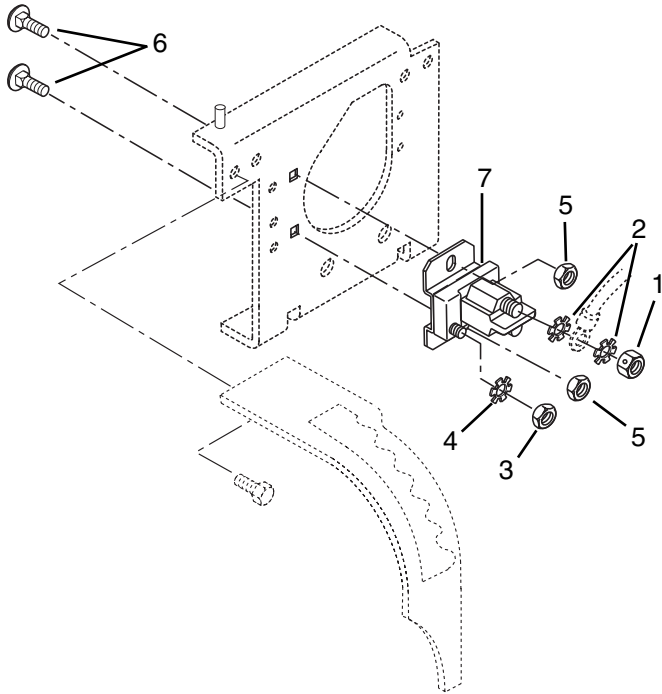


PA0160

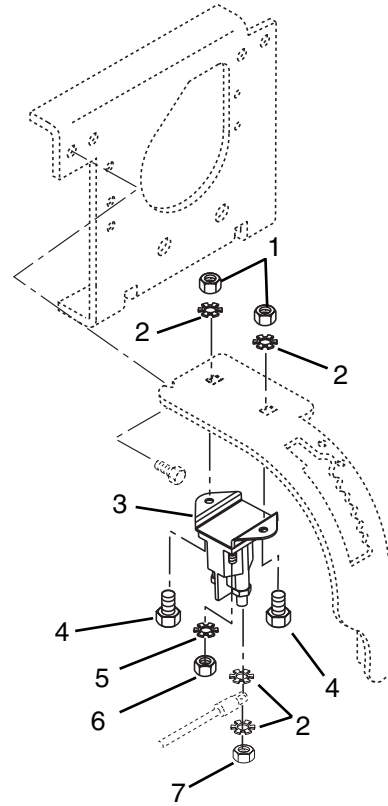
ITEM NO.	PART NO.	DESCRIPTION	QTY.	ITEM NO.	PART NO.	DESCRIPTION	QTY.
1	00337700	Hub Cap	2	14	02718100	Right Hand Axle	1
2	03516900	Spindle Cap	1	15	05800300	Pin-Roll .188 x 1.25	1
3	05511900	Bushing-Sleeve .690 x .814 x 1.000	2	16	05409300	Bearing Ball .75 x .880 x .50	1
4	52709200	L.H. Axle Assembly	1	17	00301700	Bearing Flange	1
5	07012600	Fitting-Lube .25-2 x .256	1	18	52708600	Gear Case Assembly (See Next page for detail)	1
6	06307000	Washer-Lock .250 x .047	1	19	07115200	Tire/Wheel Assembly #35-16 x 6.50-8	2
7	07412000	Screw-Tapping .25-20 x .50	3		07102100	Tire 8 x 6.50	2
8	05607100	Seal 1.125 x 2.496 x .38	1		07107700	Wheel Indus: #213435493	2
9	07415300	Screw-Tapping .312-18 x 1.50	2	20	07412200	Screw-Tapping .500-20 x .62	8
10	01014200	Bearing Flange	1	21	01238200	Spindle Cup	1
11	06530100	Nut-Locking-Flange .250-20	3	22	01036600	Pushnut	1
12	06403600	Washer-Flat-Steel .880 x 1.380 x .062	1				
13	06707100	Pin-Cotter .12 x 1.0	1				

Solenoid

Models 927046,055,056,308,310



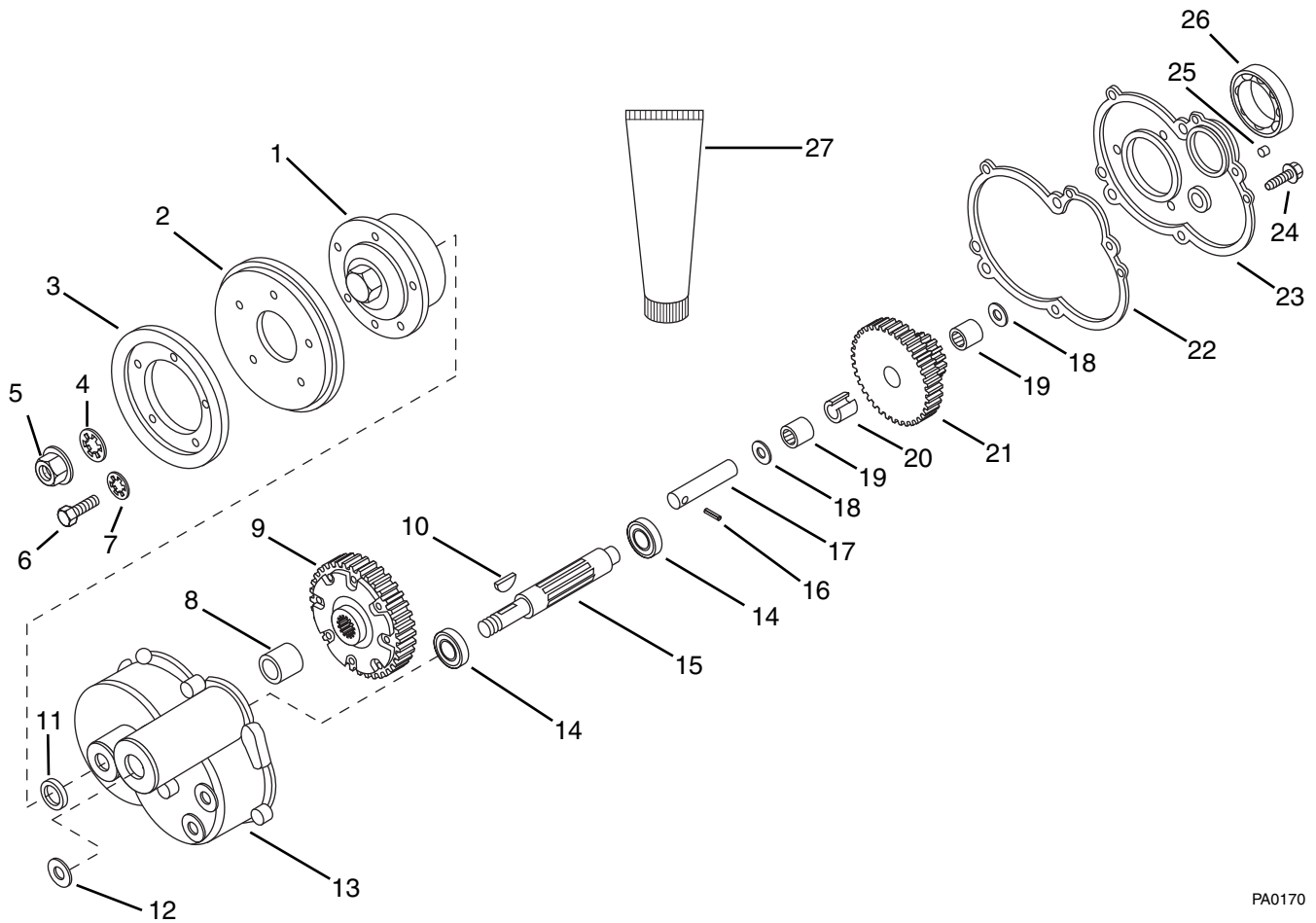
Models 927053,054,306,307



ITEM NO.	PART NO.	DESCRIPTION	QTY.	ITEM NO.	PART NO.	DESCRIPTION	QTY.
1	06536700	Nut-Jam .31-24	2	1	06531000	Nut-Locking-Nylon .250-20	2
2	06306800	Washer-Lock-External .262 x .502 x .026	4	2	06306800	Washer-Lock External .262 x .502 x .026	4
3	06536800	Nut 10-32	1	3	03057700	Solenoid	1
4	06310400	Washer-Lock-External .200 x .402 x .022	1	4	06220600	Bolt-Round Head Square Neck .25-20 x .50	2
5	06531000	Nut-Locking-Nylon .250-20	2	5	06310400	Washer-Lock External .200 x .402 x .022	1
6	06220600	Bolt-Round Head Square Neck .25-20 x .50	2	6	06536800	Nut 10-32	1
7	03057700	Solenoid	1	7	06536700	Nut-Jam .31-24	2

Gear Case

Models 927046,053,054,055,056,306,307,308,310

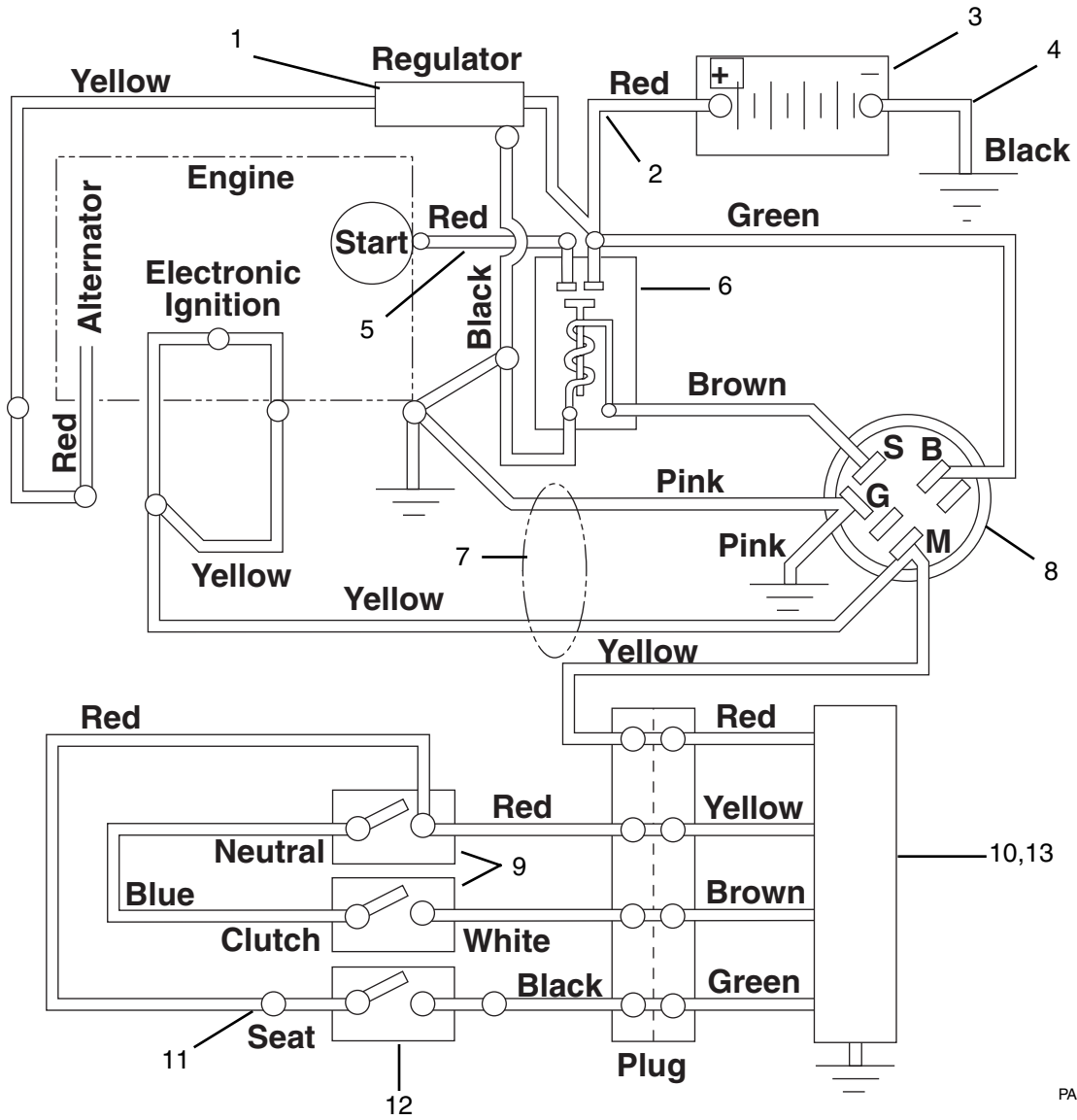


PA0170

ITEM NO.	PART NO.	DESCRIPTION	QTY.	ITEM NO.	PART NO.	DESCRIPTION	QTY.
1	02503400	Friction Disc Hub	1	15	02523400	Pinion Shaft	1
2	00300300	Friction Disc	1	16	05803400	Pin-Roll .125 x .75	1
3	02520600	Guard	1	17	02702300	Idler Shaft	1
4	06306900	Washer-Lock Internal .625 x .045	1	18	06436000	Washer-Flat-Steel .505 x .875 x .024	2
5	06530300	Nut-Locking Nylon .625-18	1	19	05409000	Bearing-Needle .50 x .688 x .625	2
6	05947200	Bolt-Hex .31-18 x .50 Gr. 5	5	20	02737000	Spacer-Cut .640 x .688 x .625	1
7	06301800	Washer-Lock Internal .313 x .030	5	21	52502700	Pinion & Gear w/ Bearing Assembly	1
8	05511800	Bushing Sleeve .875 x 1.125 x 1.046	1	22	02737100	Gasket	1
9	52704200	Differential Assembly	2	23	52700500	Gear Case Cover Assembly	1
10	06600100	Key-Woodruff .188 x .875 x .38	1	24	07415200	Screw-Tapping 10-24 x 1.0	4
11	05605100	Seal .875 x 1.125 x .125	1	25	00200900	Breather	1
12	06408900	Washer-Flat-Steel .627 x .990 x .032	1	26	05409100	Bearing-Ball 1.125 x 2.50 x .63	1
13	52708500	Service Gear Case	1	27	00929100	Grease Sten Mix	1
14	05403900	Bearing-Ball .625 x 1.375 x .44	2				

Electrical

Models 927046,053,054,055,056,306,307,308,310

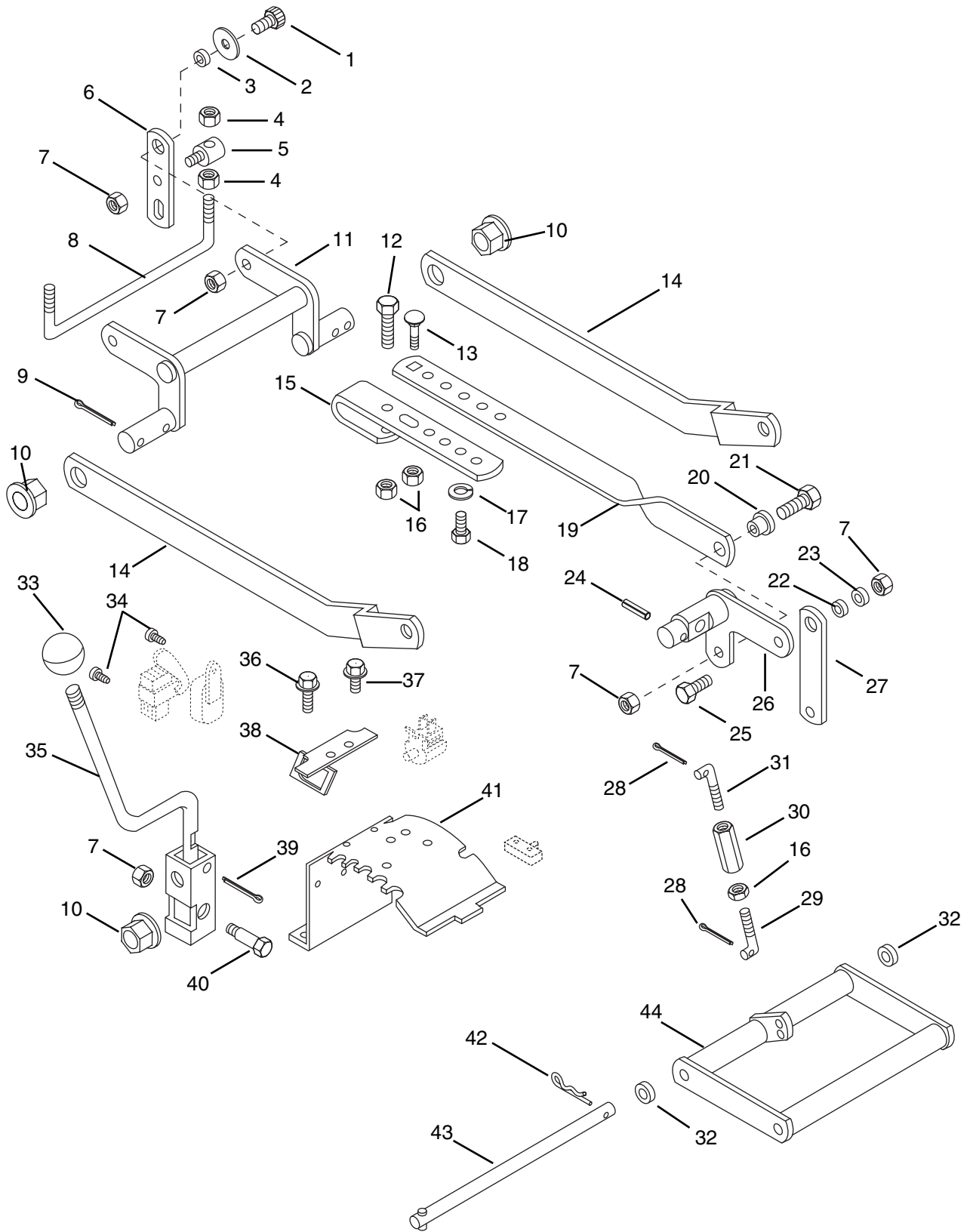


PA0130

ITEM NO.	PART NO.	DESCRIPTION	QTY.	ITEM NO.	PART NO.	DESCRIPTION	QTY.
1	01238500	Regulator	1	7	02753600	Wire Harness RM B & S Engines	1
2	02759300	Starter Cable 18" (046,055, 056,308,310)	1	8	52709300	Switch Assembly	1
	02727900	Starter Cable 16" (053,054, 306,307)	1	9	02754100	Switch-Snap Mounting N.O.	2
3	02749400	Battery	1	10	08885700	Module, Interlock, Recoil	1
4	02518900	Ground Cable	1	11	02739700	Adapter - Seat Switch	1
5	02727200	Starter Cable 13"	2	12	03171600	Switch Seat	1
6	03057700	Solenoid	1	13	02755800	Harness Adapter	1

Mower Height Linkage

Models 927046,053,054,055,056,306,307,308,310



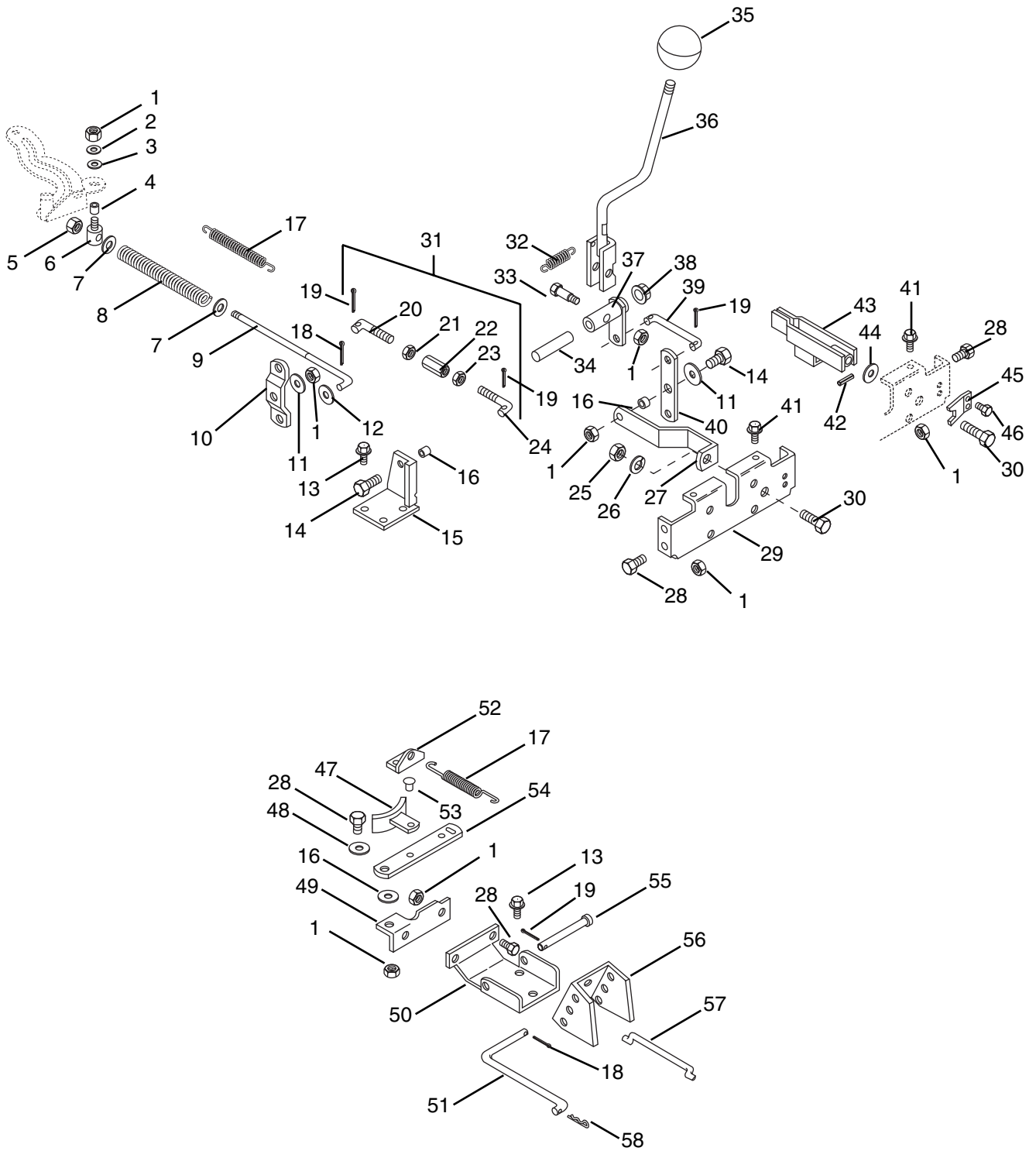
Mower Height Linkage

Models 927046,053,054,055,056,306,307,308,310

ITEM NO.	PART NO.	DESCRIPTION	QTY.	ITEM NO.	PART NO.	DESCRIPTION	QTY.
1	05920900	Screw-Socket Head .31-18 x .75	2	24	05800300	Pin-Roll .188 x 1.25	1
2	06439400	Washer-Flat-Steel .328 x .875 x .062	2	25	05947000	Bolt-Hex .31-18 x .75 Gr. 5	1
3	00607100	Spacer Bushing .5 x .32 x .21	2	26	02715600	Mower Lift Arm	1
4	06537200	Nut-Locking-Jam .38-16	4	27	02705100	Strap	1
5	09267300	Rod Pivot	2	28	06706900	Pin-Cotter .09 x .75	2
6	02728800	Link-Rear Lift	2	29	02728900	Link-Front Lift	1
7	06529800	Nut-Locking-Center .31-18	7	30	06515500	Nut-Cuplg Right Hand & Left Hand Thread .37-16	1
8	02729000	Rod-Rear Lift	1	31	02737800	Link-Front Lift	1
9	06707000	Pin-Cotter .09 x 1.0	4	32	06441100	Washer-Flat-Steel .520 x .827 x .062	4
10	01212800	Flange Bushing	3	33	07534300	Knob, 1.4 Dia. .50-13	1
11	02717600	Rear Mower Hanger	1	34	07411900	Screw-Tapping 12-14 x .50	3
12	05957900	Bolt-Hex .38-16 x 1.50 Gr.5	1	35	02758251	Mower Height Lever	1
13	06211800	Bolt-Round Head Square Neck .38-16 x .75	1	36	07411500	Screw-Tapping .31-18 x .50	2
14	02719400	Positioning Arm (055,308)	2	37	07411600	Screw-Tapping .250-20 x .37	2
15	02722300	Adjustment Strap	1	38	02754300	Reinforcement Stop	1
16	06529600	Nut-Locking-Center .38-16	2	39	06713800	Pin-Cotter .15 x 1.50	1
17	06306500	Washer-Lock .375 x .115	1	40	02712900	Shoulder Bolt	1
18	05959400	Bolt-Hex .38-16 x .75 Gr. 5	1	41	02748800	Quadrant	1
19	02722200	Lift Strap	1	42	06701000	Pin-Hair Internal .08 x .38 x 1.42	2
20	02519500	Spacer-Shoulder .344 x .500 x .469 x .750	1	43	02508600	Hanger Pin	1
21	05947500	Bolt-Hex .31-18 x 1.25 Gr. 5	1	44	02718800	Front Lift Arm	1
22	01035800	Spacer Bushing	2		02719700	Front Lift Arm (046,053,054,056,306,307,310) (055,308)	1
23	06436700	Washer-Flat-Steel .323 x .625 x .062	1				1

Mower Engagement Linkage

Models 927046,053,054,055,056,306,307,308,310



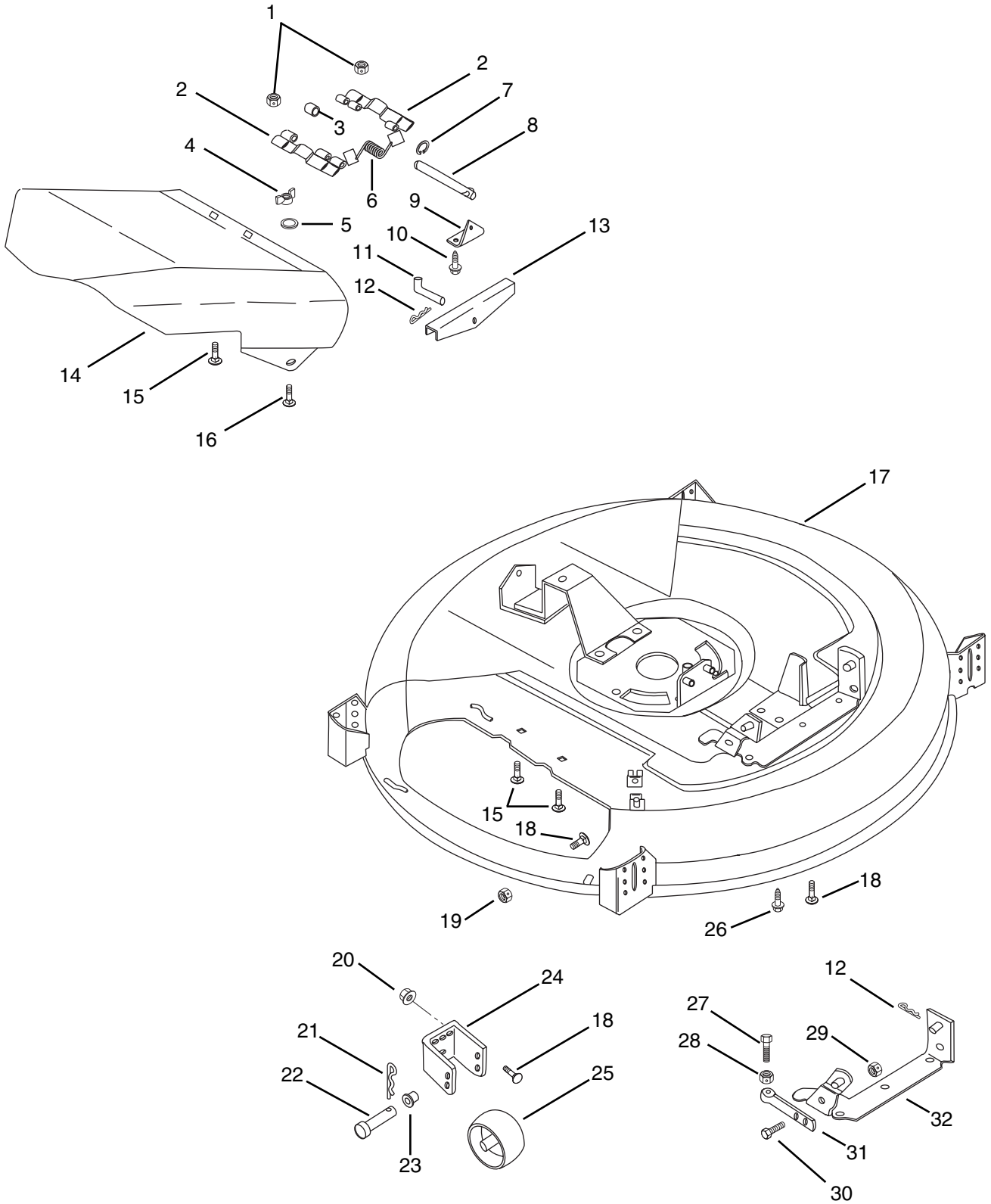
Mower Engagement Linkage

Models 927046,053,054,055,056,306,307,308,310

ITEM NO.	PART NO.	DESCRIPTION	QTY.	ITEM NO.	PART NO.	DESCRIPTION	QTY.
1	06529800	Nut-Locking-Center .31-18	11	32	08309900	Spring-Tension .92 x 69 x 1.75	1
2	06436700	Washer-Flat-Steel .323 x .625 x .062	1	33	02712900	Shoulder Bolt	1
3	00325400	Wave Washer (055,308)	1	34	02715700	Shaft	1
4	00607100	Spacer Bushing .5 x .32 x .21	1	35	07534300	Knob, 1.4 Dia. .50-13	1
5	06529600	Nut-Locking-Center .38-16	1	36	02758351	Mower Clutch Lever	1
6	02720600	Rod Pivot (051,305)	1	37	02704400	Clutch Arm	1
7	06435700	Washer-Flat-Steel .38 x .875 x .083	2	38	01212800	Flange Bushing	1
8	08319100	Spring-Compression .148 x .68 x 6.5 (055,308)	1	39	02706800	Link	1
9	02727100	Clutch Rod (055,308)	1	40	02705700	Clutch Link (046,053,054,056,306,307,310)	1
10	02721000	Arm (055,308)	1		02719600	Clutch Link (055,308)	1
11	06439400	Washer-Flat-Steel .328 x .875 x .062	2	41	07412000	Screw-Tapping .25-20 x .50	2
12	06437200	Washer-Flat-Steel .344 x .688 x .065 (55,308)	1	42	05801600	Pin-Roll .188 x 1.00	1
13	07411500	Screw-Tapping .31-18 x .50	3	43	02716300	Adjustment Yoke (046,053,054,056,306,307,310)	1
14	05947800	Bolt-Hex .31-18 x .875	2	44	06439200	Washer-Flat-Steel .505 x 1.000 x .062	1
15	02720400	Deck Pivot Bracket (055,308)	1	45	02507200	Lock Spring (046,053,054,056,306,307,310)	1
16	01035800	Spacer Bushing	1	46	07412100	Screw-Tapping 10-24 x .375	2
17	08301000	Spring-Tension .072 x .51 x 5.31	1	47	01206300	Blade Brake	1
18	06707300	Pin-Cotter .12 x .75	1	48	06437500	Washer .328 x 1.0 x .094	1
19	06706900	Pin-Cotter .09 x .75	3	49	02708800	Brake Bracket (046,053,054,056,306,307,310)	1
20	02751100	Clutch Rod Right Hand (055,308)	1	50	02705500	Pivot Bracket (054,056)	1
21	06529400	Nut-Jam .38-16	1	51	02709400	Mower Engagement Link (046,053,054,056,306,307,310)	1
22	06515500	Nut-Cuplg Right Hand & Left Hand Thread .37-16 (055,308)	1	52	02509400	Brake Clip (054,056)	1
23	06539000	Nut Left Hand Thread Gr. 2 .375-16 (055,308)	1	53	06801600	Rivet .25 x .50 (046,053,054,056,306,307,310)	1
24	02751200	Clutch Rod Left Hand (055,308)	1	54	02708900	Mower Brake Lever (046,053,054,056,306,307,310)	1
25	06537300	Nut .50-13 (055,308)	1	55	02709300	Clevis Pin .306/.311 x 3-1/2 (046,053,054,056,306,307,310)	1
26	06306600	Washer-Lock .500 x .151 (055,308)	1	56	02709200	Mower Engaging Arm (046,053,054,056,306,307,310)	1
27	02719500	Front Anchor (055,308)	1	57	02709100	Mower Brake Link (046,053,054,056,306,307,310)	1
28	05947000	Bolt-Hex .31-18 x .75 Gr. 5	7		52708900	Mower Brake Link Service Assembly (046,053,054,056,306,307,310)	1
29	02709700	Mower Adjustment Bracket	1				
30	02507400	Cap Screw (046,053,054,056,306,308,310)	1	58	06701000	Pin-Hair Internal .08 x .38 x 1.42	1
	05958900	Bolt-Hex .50-13 x 1.25 (055,308)	1				
31	52709500	Clutch Rod Service Assembly (055,308)	1				

Mower Pan

Models 927046,053,054,055,056,306,307,308,310



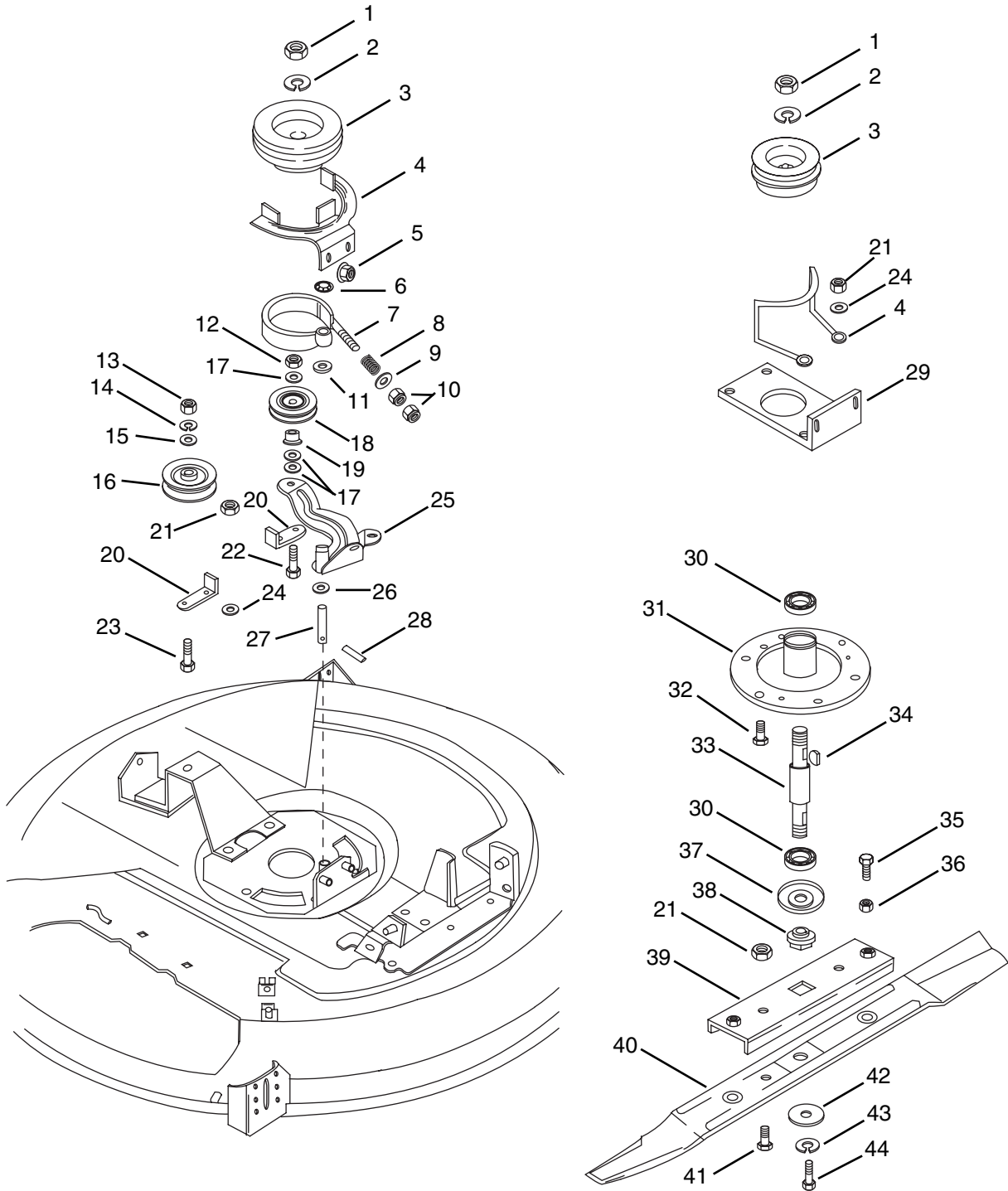
Mower Pan

Models 927046,053,054,055,056,306,307,308,310

ITEM NO.	PART NO.	DESCRIPTION	QTY.	ITEM NO.	PART NO.	DESCRIPTION	QTY.
1	06529700	Nut-Locking-Center .250-20	4		52708800	28" Mower Pan Head Service	
2	02709500	Hinge Plate	2			Assembly (046,053,306,	1
3	02202900	Bushing (054,056)	1			307,310)	
4	06537100	Nut-Nylon-LockingWing .312-18	1		52702200	30" Mower Pan Head with Deflector & Decals	
5	06439400	Washer-Flat-Steel .328 x .875 x .062	1		52709400	30" Mower Pan Head Assembly (054,056)	1
6	08307200	Spring-Tension .095 x .50 x 1.0 (054,056)	1		52709600	32" Mower Pan Head with Deflector & Decals	1
	08318500	Spring-Tension .090 x .37 x .63 (046,053,306,307,310)	1			(055,308)	1
	08314500	Spring-Tension .090 x .37 x .63 (055,308)	1		52709700	32" Mower Pan Head Assembly Retrofit	
7	05706300	Ring-Retaining-External .313 x .025	1	18	06212200	Bolt-Round Head Square Neck .31-18 x .62	1
8	03624200	Pin	1				7
9	02509700	Rear Mounting Bracket (054,056)	2	19	06529800	Nut-Locking-Center .31-18	2
10	07411500	Screw-Tapping .31-18 x .50 (54,56)	4	20	06530400	Nut-Flange .312-18	4
11	00212300	Clevis Pin 3/8 x 2	1	21	06713500	Pin-Hair .088 x .18 x 1.18	4
12	06701000	Pin-Hair Internal .08 x .38 x 1.42	1	22	02747500	Clevis Pin .368 x .373 x 3.25	4
13	02708300	Swivel Bracket	1	23	05503600	Bushing-Flange .372 x .500 x .312 x .750	8
14	02520400	Pan Head Chute Extension (054,056)	1	24	02747600	Roller Clevis (046,053,055, 306,307,308,310)	4
	52707000	28" Deflector with Decals (046,053,306,307,310)	1	25	02745400	Roller (046,053,055,306, 307,308,310)	4
	53508200	32" Deflector with Decals (055,308)	1	26	07412900	Screw-Tapping .38-16 x .50	3
15	06219900	Bolt Round Head Square Neck .25-20 x .75 Gr. 5	4	27	05958000	Bolt-Hex .38-16 x 1.25 Gr. 5	1
16	06219800	Bolt Round Head Square Neck .25-20 x 1.00	1	28	06535900	Nut-Hex-Jam .375-16	1
17	52708700	28" Mower Pan Head with Deflector & Decals (046,053,306,307,310)	1	29	06529600	Nut-Locking-Center .38-16	1
				30	05948700	Bolt-Hex .38-16 x 1.00 Gr. 5	1
				31	02736600	Adjusting Arm	1
				32	02736800	Front Bracket 30" (054,056)	1

Mower Spindle

Models 927046,053,054,055,056,306,307,308,310



Mower Spindle

Models 927046,053,054,055,056,306,307,308,310

ITEM NO.	PART NO.	DESCRIPTION	QTY.	ITEM NO.	PART NO.	DESCRIPTION	QTY.
1	06539900	Nut-Center-Locking-Jam .75-16	1	26	06437100	Washer-Flat-Steel .382 x .812 x .062	1
2	06310300	Washer-Lock .750 x .188	1	27	02752900	Pin (055,308)	1
3	02719000	Mower Sheave (054,056)	1	28	05804800	Pin Roll .125 x .63 (055,308)	1
	02750200	Mower Sheave (046,053, 306,307,310)	1	29	02527600	Plate (054,056)	
	02747800	Mower Sheave (055,308)	1	30	05412000	Bearing Ball .750 x 1.78 x .61	2
4	01206100	Mower Belt Finger (046,053,054,306,310)	1	31	02746700	Spindle Housing (046,053,055,306,307,308,310)	1
	02721100	Belt-Finger (055,308)	1		00317200	Spindle Housing (054,056)	1
5	06530400	Nut-Flange .312-18	2	32	05948700	Bolt-Hex .38-16 x 1.00 Gr. 5	6
6	01019900	Fastener (055,308)	1	33	03526700	Spindle Shaft (054,056)	1
7	02740300	Brake Band (055,308)	1		02746800	Spindle Shaft (046,053, 055,306,307,308,310)	1
8	08312000	Spring-Compression .072 x .687 x .75	1	34	06600300	Key Woodruff .188 x .75	2
9	06437200	Washer-Flat-Steel .344 x .688 x .065	1	35	05960700	Bolt-Hex .38-24 x 1.25 Gr. 5	2
10	06529200	Nut-Hex .31-18	2	36	06534700	Nut-Jam .375-24	2
11	06436100	Washer-Flat-Steel .630 x 1.005 x .062	1	37	00341900	Bearing Slinger	1
12	06529800	Nut-Locking-Center .31-18	1	38	00316900	Retainer Hub (054,056)	1
13	06529400	Nut-Hex .38-16	1		02746900	Hub (046,053,055,306, 307,308,310)	1
14	06308800	Washer-Lock .38 x .094	1	39	00317000	Blade Tray (054,056)	1
15	06444300	Washer-Flat-Steel .390 x .750 x .125	1		02747100	Blade Tray Weldment (046, 053 ,055,306,307,308,310)	1
16	07310900	Idler 3.06 x .38 (055,308)	1	40	02749300	28" Mower Blade (046,053,306,307,310)	1
17	06435700	Washer-Flat-Steel .38 x .875 x .083	3		02728700	Mower Blade 30 Inches (054,056)	1
18	01213200	Idler (055,308)	1		02747000	32" Blade (055,308)	1
19	01213100	Bearing Spacer (055,308)	1	41	05948700	Bolt-Hex .38-16 x 1.00 Gr. 5	2
20	02720700	Belt Finger (055,308)	2	42	06408300	Washer-Flat-Steel .505 x 1.140 x .250	1
21	06529600	Nut-Locking-Center .375-16	5	43	06310700	Washer-Lock .438 x .133	1
22	05952400	Bolt-Hex .31-18 x 1.50 Gr. 5	1	44	05967500	Bolt-Hex .44-20 x 1.75 Gr. 5	1
23	05958500	Bolt-Hex .38-16 x 1.75 Gr. 5	1				
24	06436200	Washer-Flat-Steel .406 x .812 x .065	4				
	0644400	Washer-Flat-Steel .406 x 1.000 x 1.88	2				
25	02740400	Idler Arm (055,308)	1				



GRAVELY

A Division of Ariens Company

655 West Ryan Street

P.O. Box 157

Brillion, WI 54110-0157

920-756-2141

Fax 920-756-2407

www.gravelly.com