

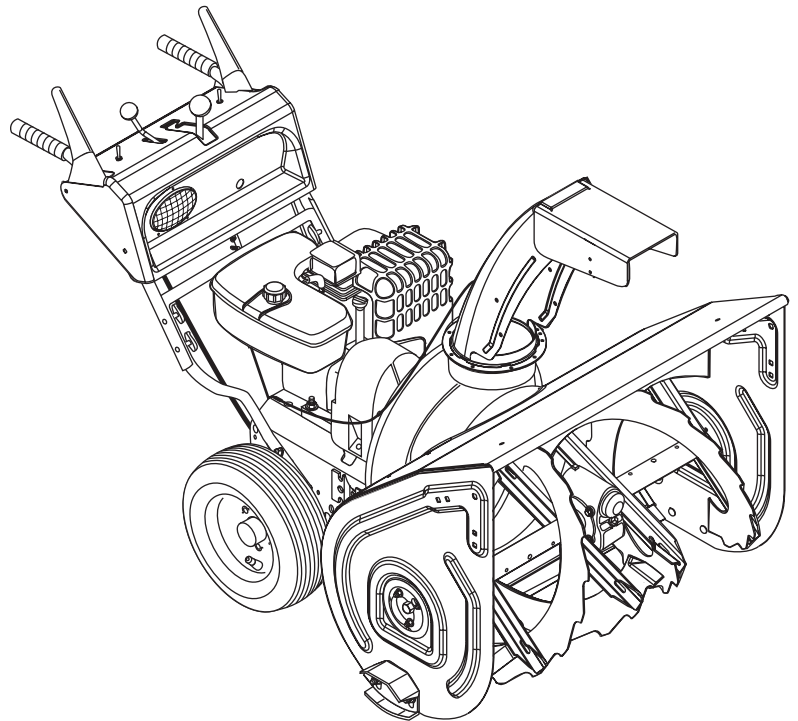


# Sno-Thro®

## Parts Manual

### Models

924118 - 8524  
924121 - 1128  
924122 - 1124  
924332 - 1124  
924505 - 1332  
924506 - 1336  
924507 - 936  
924508 - 1128  
924551 - 8524



## THE MANUAL

---

Before you operate your unit, carefully and completely read manuals supplied with the unit. The contents will provide you with an understanding of safety instructions and controls during normal operation and maintenance.

For your safety and the safety of others always read, understand, and follow all DANGER, WARNING, and CAUTION messages found in manuals and on safety decals.

Hardware descriptions are given in decimals.

Decimals to Fractions			
.063	1/16	.563	9/16
.125	1/8	.625	5/8
.188	3/16	.688	11/16
.250	1/4	.750	3/4
.313	5/16	.813	13/16
.375	3/8	.875	7/8
.438	7/16	.938	15/16
.500	1/2	1.00	1

## SERVICE AND REPLACEMENT PARTS

---

When ordering replacement parts or making service inquiries, know the Model and Serial numbers of your unit and engine.

Numbers are located on the product registration card in the unit literature package. They are printed on a serial number label, located on the frame of your unit.

- Record Unit Model and Serial numbers here:

- Record Engine Model and Serial numbers here:

## UNAUTHORIZED REPLACEMENT PARTS

Use only Ariens replacement parts. The replacement of any part on this vehicle with anything other than an Ariens authorized replacement part may adversely affect the performance, durability, or safety of this unit and may void the warranty. disclaims liability for any claims or damages, whether warranty, property damage, personal injury or death arising out of the use of unauthorized replacement parts.

## PRODUCT REGISTRATION

---

The Ariens dealer must register the product at the time of purchase. Registering the product will help the company process warranty claims or contact you with the latest service information. All claims meeting requirements during the limited warranty period will be honored, whether or not the product registration card is returned. Keep a proof of purchase if you do not register your unit.

**Customer Note:** If Dealer does not register your product, please fill out, sign and return the product registration card to Ariens or go to [www.ariens.com](http://www.ariens.com).

## YOUR SATISFACTION IS IMPORTANT

---

**Questions? Please follow these helpful steps:**

1. Refer to the manuals supplied with your unit.  
They will guide you through safe and proper operation and maintenance.  
They contain specifications on your unit.  
If your questions are not answered in these manuals, go to step number two.
2. Contact Your Dealer.  
Our dealers will be happy to supply any service or advice required to keep your unit operating at peak efficiency.  
A factory trained staff is available to support your equipment needs. They stock genuine Ariens parts and lubricants manufactured with the same precision and skill as the original.  
If your questions are not resolved by the support staff, ask for the manager or owner.  
When contacting your Dealer supply your model and serial numbers.

## TO SPEED PARTS ORDERING:

1. Know the model and serial numbers of your unit.
2. Know the part number required.
3. Know the quantity required.
4. Know the part description.

# MODELS

---

## Domestic

### Model 924118 (8524)

8.5H.P. 24" Sno-Thro  
Serial No. 000101 and up

### Model 924121 (1128)

11.5H.P. 28" Sno-Thro  
Serial No. 000101 and up

### Model 924122 (1124)

11.5H.P. 24" Sno-Thro  
Serial No. 000101 and up

## International

### Model 924332 (1124)

11.5H.P. 24" Sno-Thro  
Serial No. 000101 and up

## Global

### Model 924505 (1332)

13H.P. 32" Sno-Thro  
Serial No. 003250 and up

### Model 924506 (1336)

13H.P. 36" Sno-Thro  
Serial No. 002400 and up

### Model 924507 (936)

9H.P. 36" Sno-Brush  
Serial No. 000800 and up

### Model 924508 (1128)

11.5H.P. 28" Sno-Thro  
Serial No. 004000 and up

### Model 924551 (8524)

8.5H.P. 24" Sno-Thro  
Serial No. 000101 and up

# TABLE OF CONTENTS

---

## DECALS

---

Decals .....	4
--------------	---

## ENGINE AND DRIVE

---

Engine and Belt Drive .....	6
-----------------------------	---

## MAIN FRAME

---

Speed Selector and Frame .....	8
Wheels and Axle .....	10
Reduction Drive .....	12
Friction Wheel Drive .....	13

## OPERATORS CONTROLS

---

Handlebars Lever Controls, Panel and Dash .....	14
Cables and Controls .....	16

## BLOWER

---

Chute, Auger and Battery .....	18
Gear Case-Aluminum .....	21
Gear Case-Cast Iron .....	22
Discharge Chute - Manual and Electric .....	24

## BRUSH

---

Brush Head .....	26
Brush Drive Unit .....	28

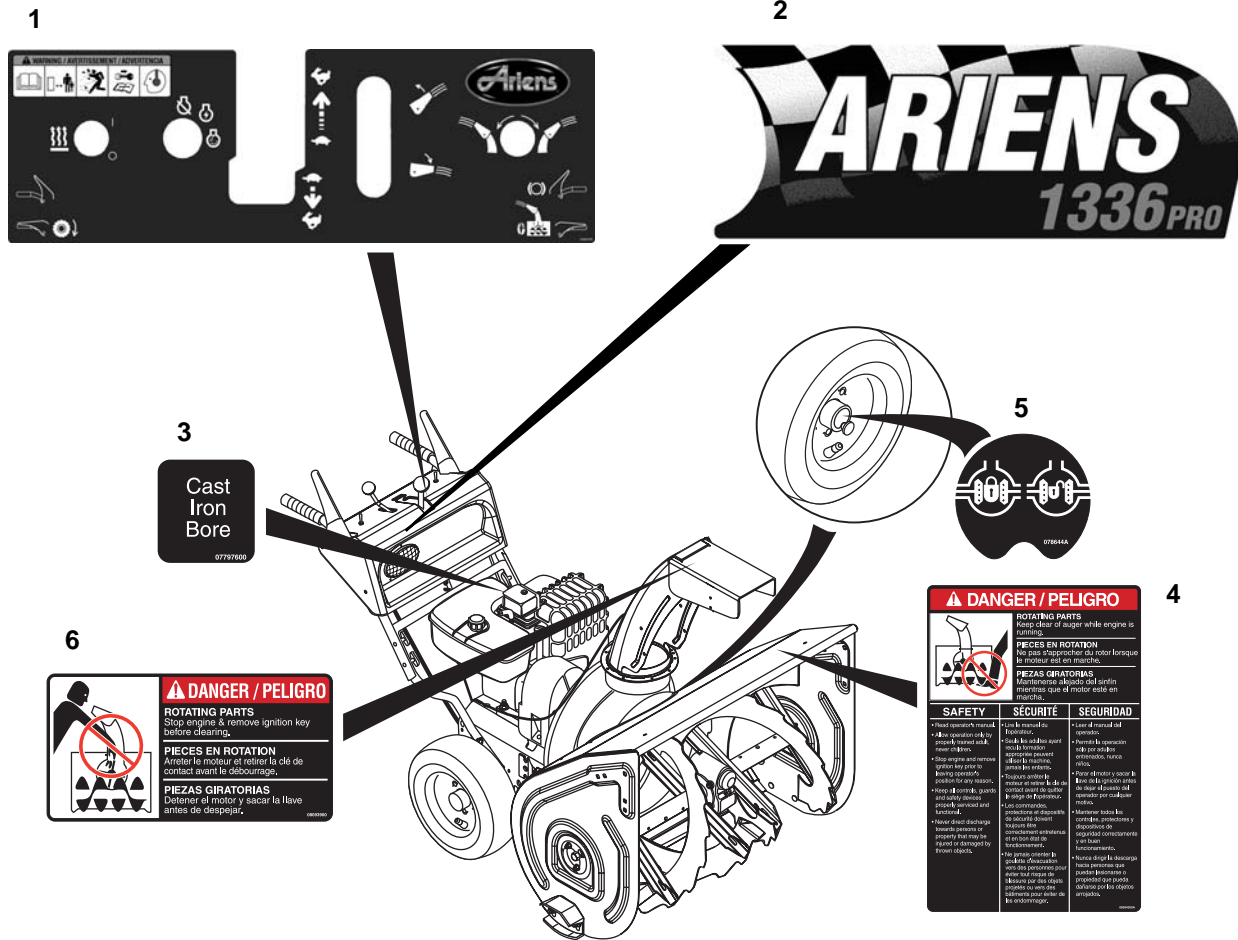
## ELECTRICAL SYSTEMS

---

Electrical .....	30
Continuity Diagrams .....	32
Wiring Diagrams .....	34

# DECALS

Model 924118 121, 122, 332, 505, 506, 508, 551

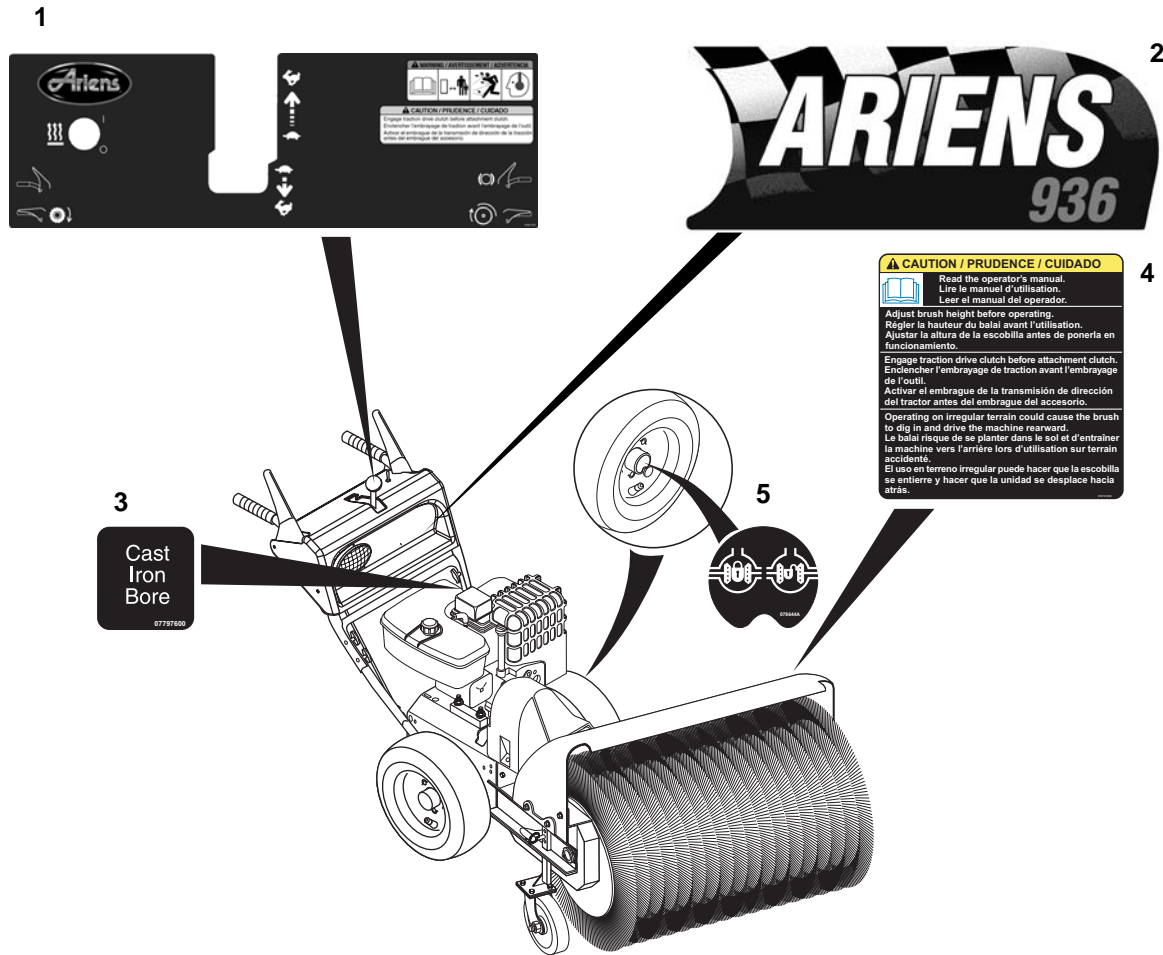


PS0416

Item	Part No.	Qty.	Description
1	08092200	1	Decal, 1332/1336 Control (505, 506)
	08096900	1	Decal, 1124/1128 Control (332, 508)
	08092500	1	Decal, Control 1128 (121, 122)
	08093200	1	Decal, Control 8524 (118, 551)
2	08092700	1	Decal, Front Panel - 1336 (506)
	08092800	1	Decal, Front Panel - 1332 (505)
	08092900	1	Decal, Front Panel - 1128 (508)
	00163200	1	Decal, Front Panel - 1124 (122, 332)
	00163300	1	Decal, Front Panel - 1128 (121)
	00163400	1	Decal, Front Panel - 8524 (118, 551)
3	07797600	1	Decal, Cast Iron Bore
4	08094000	1	Decal, Danger
5	07864400	1	Decal, Differential Lock (118, 122, 332, 505, 507, 508, 551)
6	08093900	1	Decal, Danger - Rotating Parts

# DECALS

Model 924507

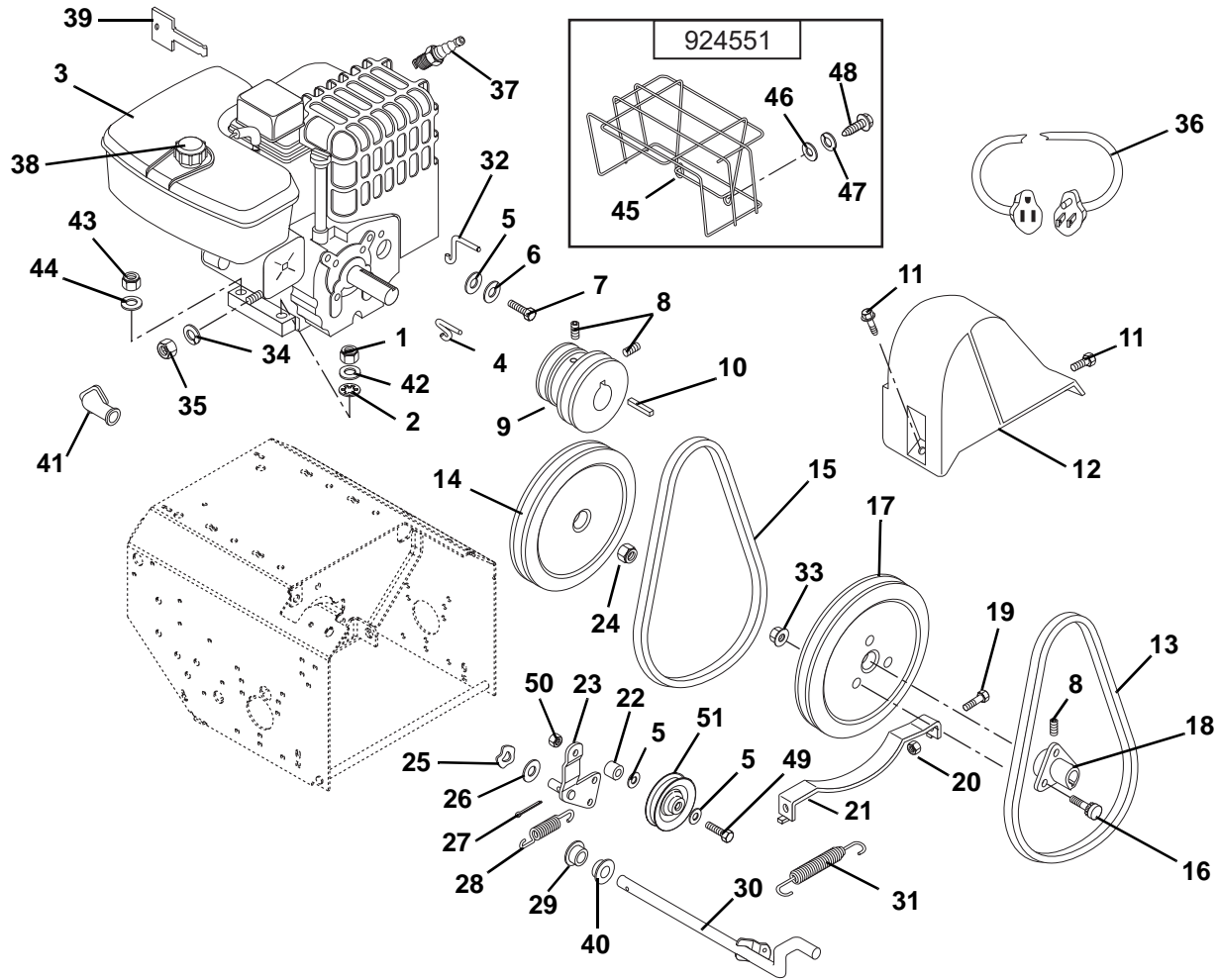


Item	Part No.	Qty.	Description
1	08092100	1	Decal, 936 Control
2	08092600	1	Decal, 936 Dash
3	07797600	1	Decal, Cast Iron Bore
4	07873100	1	Decal, Caution
5	07864400	1	Decal, Differential Lock

PS0871

# ENGINE AND BELT DRIVE

Model 924118, 121, 122, 332, 505, 506, 507, 508, 551



PS1080

Item	Part No.	Qty.	Description
1	06529800	1	Nut, Locking Center .31-18
2	06310500	1	Washer, Lock Internal .31
3	08260001	1	Engine, 11.5HP OHV Tecumseh - 120 Volt (121, 122)
	08260003	1	Engine, 8.5HP with 120 Volt and 18W (118)
	08261000	1	Engine, 11.5HP Tecumseh OHV 12 Volt (332, 508)
	08261100	1	Engine, 13HP Tecumseh OHV 12 Volt (505, 506)
	08261200	1	Engine, 9HP Tecumseh OHV (507)
	08260002	1	Engine, 8.5HP Recoil 18W (551)
4	02410900	1	Belt Finger (506)
	02410900	2	Belt Finger (118, 121, 122, 332, 505, 507, 508, 551)
5	06435700	4	Washer, Flat Steel .38 x .88 x .083
6	06308600	2	Washer, Locking .31 x .078
7	05947300	2	Bolt, Hex .31-24 x .75 Grade 5
8	06005500	4	Screw, Set .31-18 x .38
9	02489100	1	Engine Sheave (118, 121, 122, 332, 505, 507, 508, 551)
	02435700	1	Engine Sheave (506)

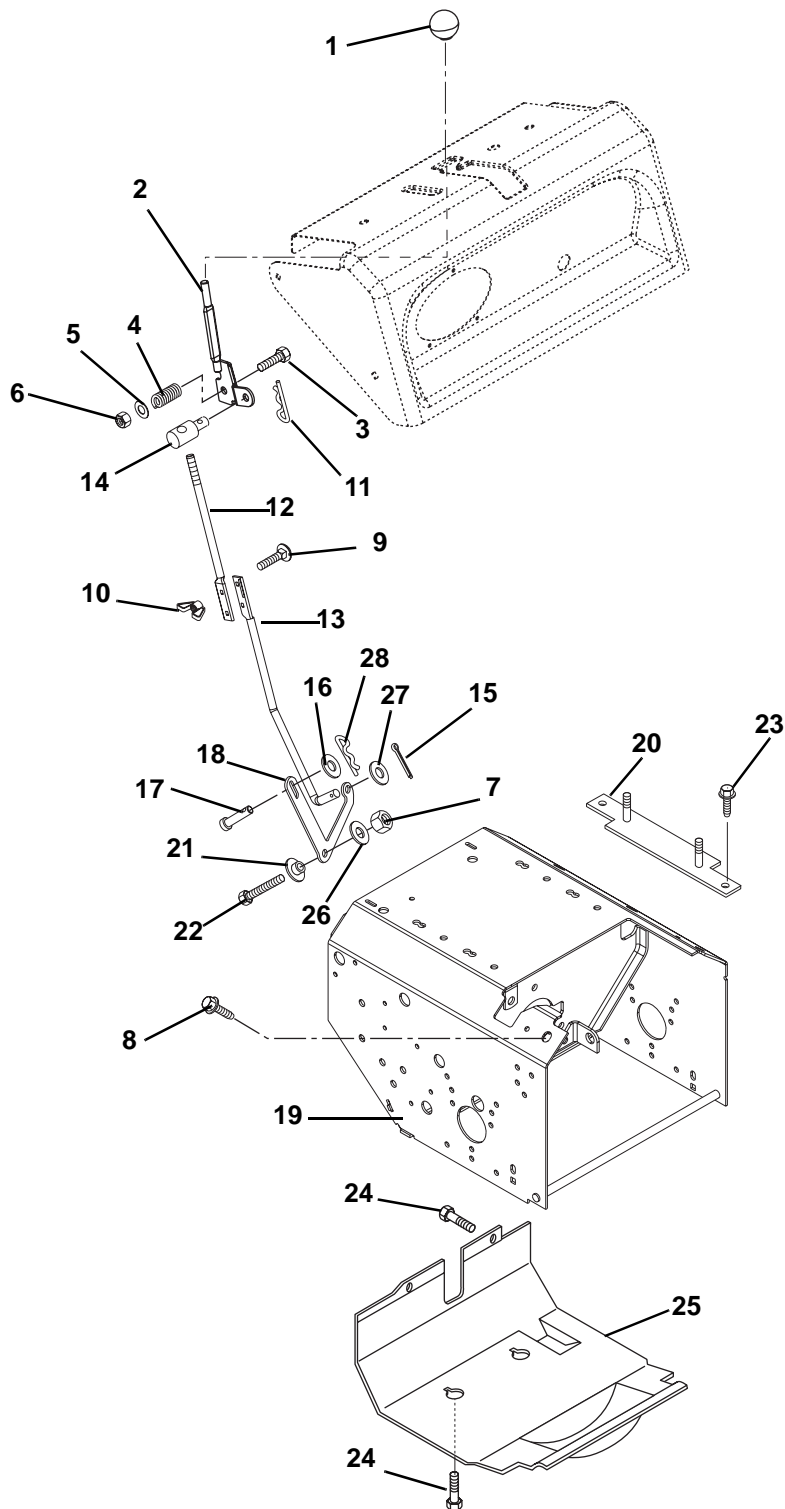
# ENGINE AND BELT DRIVE

Model 924118, 121, 122, 332, 505, 506, 507, 508, 551

Item	Part No.	Qty.	Description
10	06601800	1	Key, Straight .25 x 1.75 x .25
11	07412000	2	Screw, Tap .25-20 x .50
12	02489000	1	Belt Cover
13	07238500	1	V-Belt (118, 121, 551)
	07238400	1	V-Belt (122, 332, 507, 508)
	07238300	1	V-Belt (505)
	07236200	1	V-Belt (506)
14	07325700	1	Pulley-V 8.40 x 1.00 with Key
15	07211200	1	V-Belt, Traction Drive (118, 121, 122, 332, 507, 508, 551)
	07236100	1	V-Belt, Traction Drive (505, 506)
16	07005300	3	Bolt, Serrated Round Head Slotted .31-18 x .75
17	07307000	1	Pulley-V 9.0 x 1.25
18	02438900	1	Hub (118, 121, 122, 332, 505, 506, 508, 551)
19	05947900	2	Bolt, Hex .25-20 x .50 Grade 5 (122, 332, 505, 506, 507, 508)
20	06529700	2	Nut, Locking Center .25-20 (122, 332, 505, 506, 507, 508)
21	02423651	1	Belt Retainer (122, 332, 505, 506, 507, 508)
22	01103100	1	Spacer
23	02453751	1	Idler Arm
24	06530300	1	Nut, Locking Nylon .63-18
25	01026000	1	Wave Washer
26	06436500	1	Washer, Flat Steel .38 x .81 x .023
27	06707000	1	Pin, Cotter .09 x 1.00
28	08309400	1	Spring, Tension .80 x .73 x 3.06
29	05503700	1	Bushing, Flange Nylon .50 x .63 x .31 x .75
30	02498600	1	Shaft, Activating
31	08317200	1	Spring, Tension .05 x .44 x 3.37
32	02411000	1	Belt Finger (506)
33	06530400	3	Nut, Locking Flange .31-18 (118, 121, 122, 332, 506, 507, 508, 551)
34	06306800	1	Washer, Lock External .26 x .50 x .026 (332, 505, 506, 508)
35	06533200	1	Nut, Hex .25-20 (332, 505, 506, 508)
36	02483100	1	Cord, Extension 110V (118, 121, 122)
37	21533500	1	Plug, Spark (121, 122, 332, 505, 506, 507, 508)
	21533400	1	Plug, Spark (118, 551)
38	07531800	1	Fuel Cap
39	07532000	1	Key, Push/Pull Tecumseh (118, 121, 122, 551)
40	05502100	1	Bushing, Flange .50 x .63 x .50 x .75
41	07533200	1	Boot, Eyelet Terminal (332, 505, 506, 508)
42	06437200	1	Washer, Flat Steel .344 x .688 x .065
43	06529200	3	Nut, Hex .31-18
44	06307400	3	Washer, Locking .31 x .097 Heavy
45	02460200	1	Muffler Guard 8 and 10 HP Tecumseh (551)
46	06442700	2	Washer, Flat Steel .219 x .50 x .049 (551)
47	06308100	2	Washer, Locking #10X.047 Regular (551)
48	07413600	2	Screw, Tapping 10-16 x .75 (551)
49	05947500	1	Bolt, Hex .31-18 x 1.25 Grade 5
50	06529800	1	Nut, Locking Center .31-18
51	02457400	1	Idler

# SPEED SELECTOR AND FRAME

Model 924118, 121, 122, 332, 505, 506, 507, 508, 551



PS0486



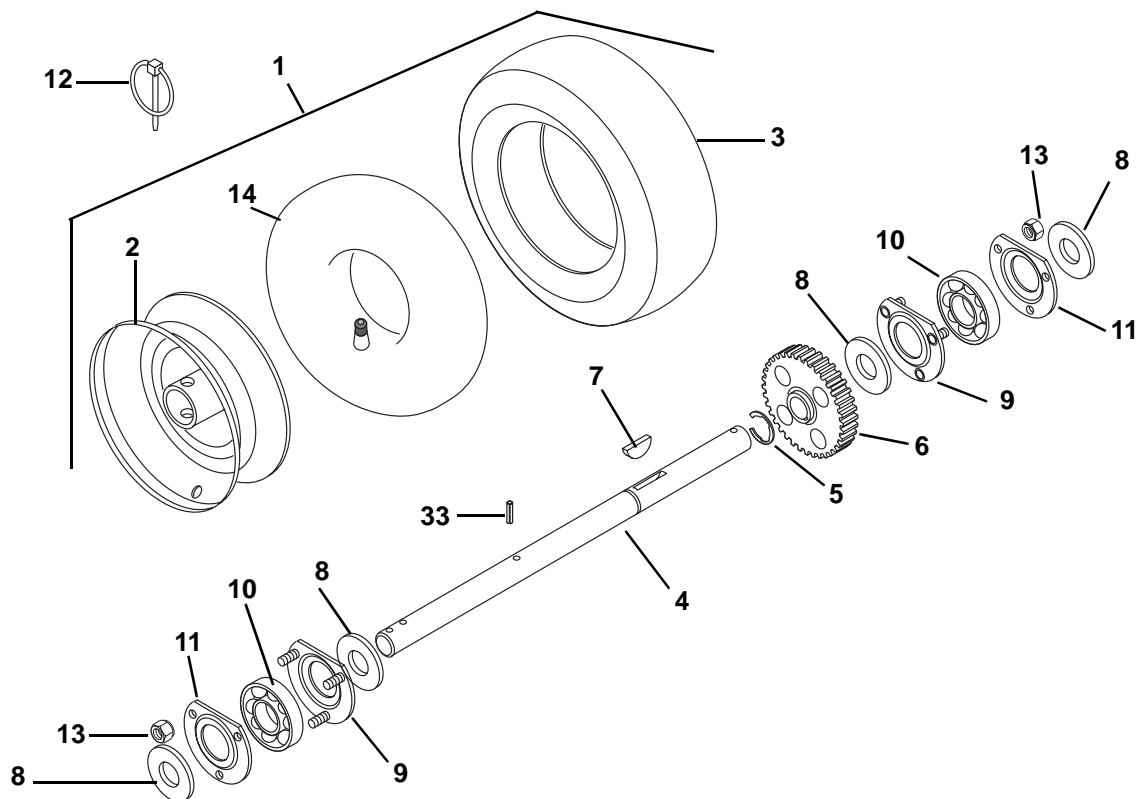
# SPEED SELECTOR AND FRAME

Model 924118, 121, 122, 332, 505, 506, 507, 508, 551

Item	Part No.	Qty.	Description
1	07533500	1	Knob, Ball Black 1-.41, .38-16
2	03247900	1	Lever, Shift Weldment
3	05962900	1	Bolt, Hex .38-16 x 2.25 Grade 5
4	08335700	1	Spring, Compression .13 x .78 x 1.25
5	06435900	1	Washer, Flat Steel .44 x 1.00 x .083
6	06529600	1	Nut, Locking Center .38-16
7	06529800	1	Nut, Locking Center .31-18
8	07028500	2	Bolt, Hex Flanged Whiz Lock Head .38-16 x .75
9	06219800	2	Bolt, Round Head Square Neck .25-20 x 1.00 Grade 5
10	06537500	2	Nut, Locking Wing .25-20
11	06713500	1	Pin, Hair Internal .08 x .18 x 1.18
12	02492800	1	Rod, Shift-Upper
13	02487700	1	Rod, Shift-Lower
14	02493000	1	Pivot, Rod
15	06706900	1	Pin, Cotter .09 x .75
16	06436500	1	Washer, Flat Steel .38 x .81 x .023
17	01215100	1	Clevis Pin .37/.38 x .69
18	02498700	1	Arm, Shift
19	02498559	1	Main Frame
20	02401800	2	Bolt Strap (118, 121, 122, 507, 551)
	02483500	2	Bolt Strap (332, 505, 506, 508)
21	05534600	1	Bushing, Flange .325 x .500 x .327 x .875
22	05946900	1	Bolt, Hex .31-18 x 1.00 Grade 5
23	07411600	2	Screw, Tapping .25-20 x .37 Hex Washer Head
24	07415900	4	Screw, Tapping .312-12 x .375 Hex Washer
25	02477159	1	Cover, Bottom
26	06439400	1	Washer, Flat Steel .328 x .875 x .062
27	06441900	1	Washer, Flat-Steel .53 x 1.06 x .095
28	06714800	1	Pin, Hair

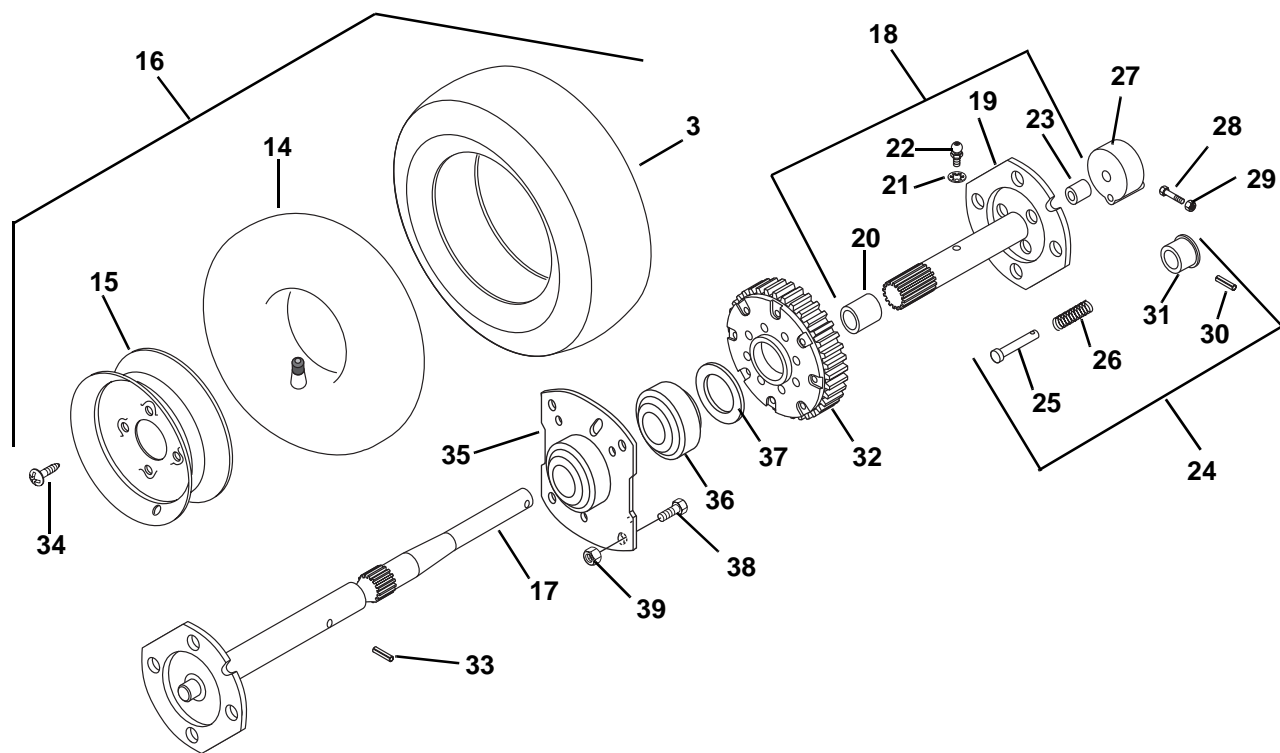
# WHEELS AND AXLE

Model 924121



PS0800

Model 924118, 122, 332, 505, 506, 507, 508, 551



PS0790

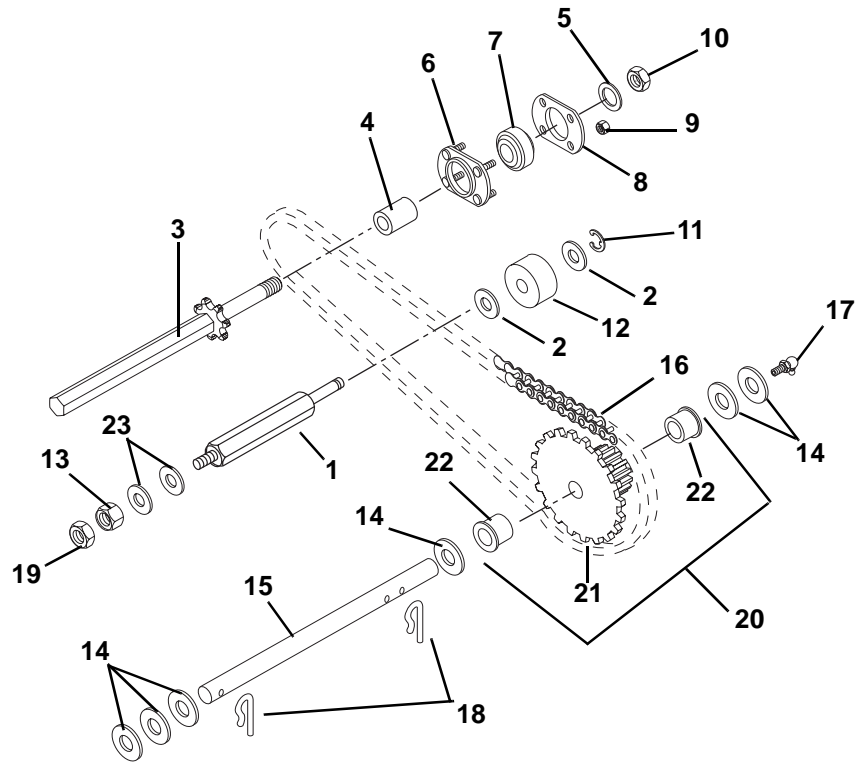
# WHEELS AND AXLE

Model 924118, 121, 122, 332, 505, 506, 507, 508, 551

Item	Part No.	Qty.	Description
1	07150300	2	Tire/Wheel Assembly 16 x 6.50 - 8 (121)
2	07150500	2	Wheel 6.50 x 8.00 (121)
3	07121800	2	Tire 4.80-8 (118, 122, 332, 551)
	07121600	2	Tire 16 x 6.50-8 (121, 505, 506, 507, 508)
4	02483200	1	Shaft, Axle (121)
5	05718400	1	Ring, Retaining .88 x .05 (121)
6	02439600	1	Spur Gear (121)
7	06600800	1	Woodruff Key .25 x .88 x .38 (121)
8	06436900	4	Washer, Flat Steel .88 x 1.25 x .062 (121)
9	00301700	2	Bearing Flange (121)
10	05409300	2	Bearing, Ball .88 x 1.75 x .50 (121)
11	01014200	2	Flange, Bearing (121)
12	07053700	2	Pin, Lock .31 x 1.75 (121)
13	06529700	6	Nut, Locking Center .25-20 (121)
14	07103700	2	Tube 4.00 x 8 (118, 122, 332, 551)
	07108700	2	Tube 6.50 x 8 (121, 505, 506, 507, 508)
15	07107600	2	Wheel 4.80-8 (118, 122, 332, 551)
	07107700	2	Wheel 6.50-8 (505, 506, 507, 508)
16	07121900	2	Tire/Wheel Assembly #34-4.80/4.00 x 8 (118, 122, 332, 551)
	07121700	2	Tire/Wheel Assembly #35-16 x 6.50 (505, 506, 507, 508)
17	02475700	1	Axle, Right Hand (505, 506)
	02475800	1	Axle, Right Hand (122, 332, 507, 508)
18	52405400	AR	Axle Assembly Left Hand (Contains Items 19-23) (505, 506)
	52405500	AR	Axle Assembly Left Hand (Contains Items 19-23) (122, 332, 507, 508)
19	02437051	1	Axle, Left Hand (505, 506)
	02441051	1	Axle, Left Hand (122, 332, 507, 508)
20	05505700	1	Bushing, Sleeve .75 x .81 x .75 (118, 122, 332, 505, 506, 507, 508, 551)
21	06307000	1	Washer, Locking .25 x .05 (118, 122, 332, 505, 506, 507, 508, 551)
22	07012600	1	Fitting, Lube .25-28 x .26 (118, 122, 332, 505, 506, 507, 508, 551)
23	05502900	1	Bushing, Sleeve .56 x .63 x .63 (118, 122, 332, 505, 506, 507, 508, 551)
24	52405900	1	Lockout Hub Assembly (Contains Items 25-27, 30, 31) (118, 122, 332, 505, 506, 507, 508, 551)
25	01037400	1	Pin (118, 122, 332, 505, 506, 507, 508, 551)
26	08300700	1	Spring, Compression .03 x .34 x 1.06 (118, 122, 332, 505, 506, 507, 508, 551)
27	01037200	1	Lockout Hub (118, 122, 332, 505, 506, 507, 508, 551)
28	05948100	1	Screw, Cap .25-20 x 2.00 Grade 8 (118, 122, 332, 505, 506, 507, 508, 551)
29	06530900	1	Nut, Jam Nylon .25-20 (118, 122, 332, 505, 506, 507, 508, 551)
30	05803200	1	Pin, Roll .09 x 1.00 (118, 122, 332, 505, 506, 507, 508, 551)
31	01037500	1	Knob (118, 122, 332, 505, 506, 507, 508, 551)
32	52405300	1	Differential Assembly (118, 122, 332, 505, 506, 507, 508, 551)
33	05803000	1	Pin Roll .19 x 1.50
34	07416900	8	Screw, Tapping .50-20 x .62 Hex Head (118, 122, 332, 505, 506, 507, 508, 551)
35	02457859	2	Bearing Retainer (122, 332, 505, 506, 507, 508)
36	05417700	2	Bearing, Ball 1.13 x 2.19 x .63 (122, 332, 505, 506, 507, 508)
37	06437400	2	Washer, Flat Steel 1.14 x 1.72 x .13
38	07028600	8	Bolt Serrated Neck Slotted .25-20 x .50
39	06530100	8	Nut, Locking Flange .25-20

# REDUCTION DRIVE

Model 924118, 121, 122, 332, 505, 506, 507, 508, 551

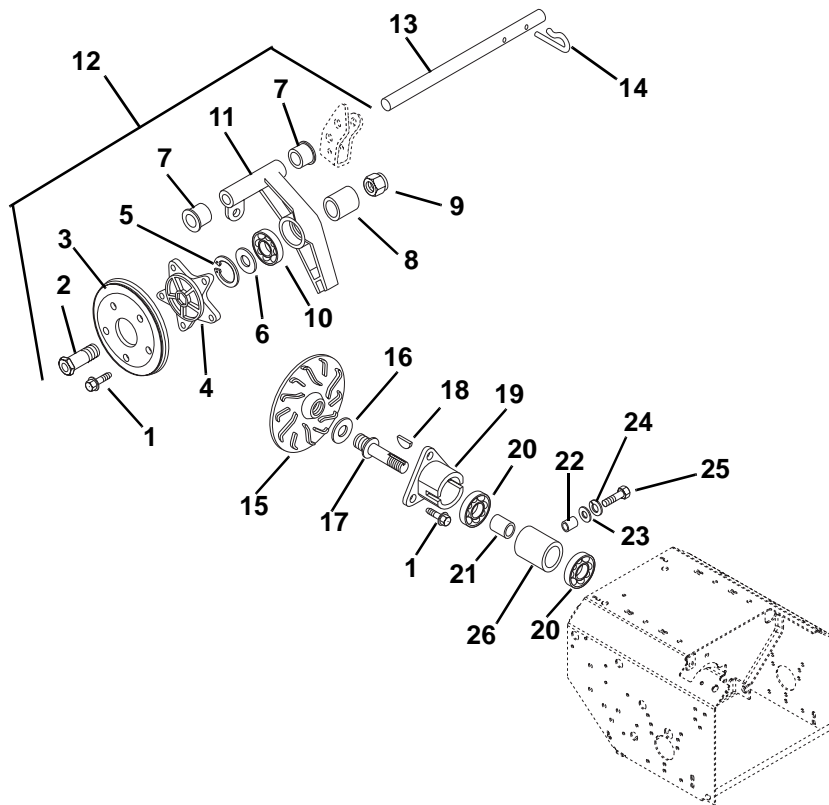


PS0463

Item	Part No.	Qty.	Description
1	02477300	1	Hex Shaft
2	06437200	2	Washer, Flat Steel .34 x .69 x .065
3	02498900	1	Shaft, Hex with Sprocket
4	05531600	1	Spacer .45 x .75 x 1.60
5	06436600	1	Washer, Flat Steel .51 x .88 x .072
6	00308500	1	Bearing Flange
7	05435200	1	Bearing, Ball .44 x 1.38 x .44
8	02414100	1	Bearing Flange
9	06530600	4	Nut, Locking Dual Face 10-24
10	06536400	1	Nut, Locking Center .44-14
11	05718300	1	Ring, Retaining External .31 x .025
12	07530500	1	Idler
13	06529800	1	Nut, Locking Center .31-18
14	06436100	6	Washer, Flat Steel .630 x 1.01 x .062
15	02496900	1	Shaft, Pinion
16	02477700	1	Roller Chain #41-34 Pitches
17	07029700	1	Fitting, Hydraulic Drive
18	06714500	2	Pin, Spring Clip
19	06536100	1	Nut, Jam .31-18
20	52403200	1	Pinion and Sprocket Assembly (Contains Items 21, 22)
21	02436800	1	Pinion and Sprocket
22	05502600	2	Bushing, Flange .63 x .75 x .50 x .88
23	06435700	2	Washer, Flat Steel .38 x .88 x .083

# FRICTION WHEEL DRIVE

Model 924118, 121, 122, 332, 505, 506, 507, 508, 551

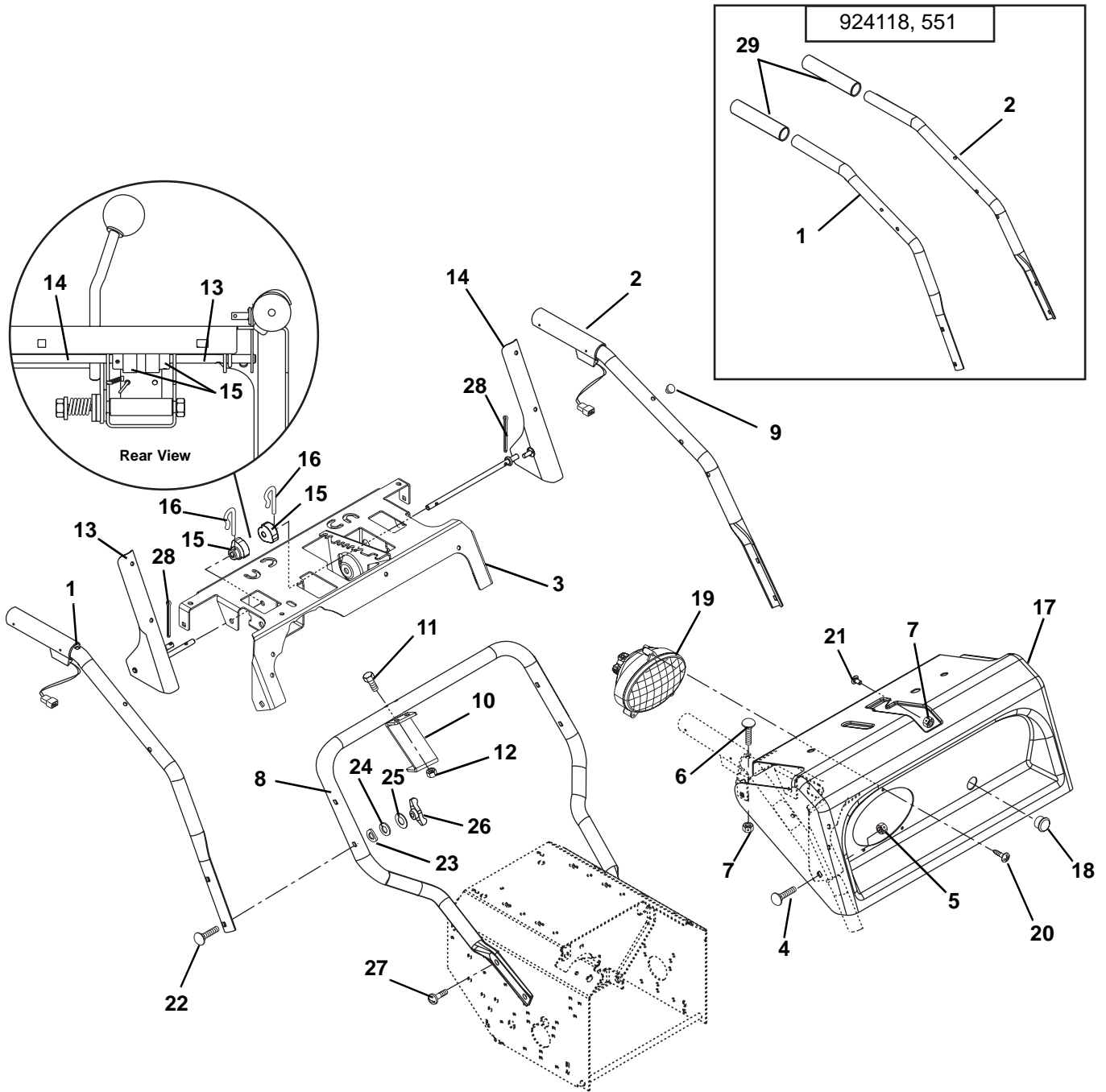


PS0452

Item	Part No.	Qty.	Description
1	07411500	8	Screw, Tapping .31-18 x .50
2	02445500	1	Spindle Hub
3	00170800	1	Disc, Friction
4	02445400	1	Disc Hub
5	05702100	1	Ring, Retaining Internal 1.75 x .062
6	06436900	1	Washer, Flat Steel .88 x 1.25 x .062
7	05502600	2	Bushing, Flange .63 x .750 x .50 x .88
8	05512600	1	Bushing, Sleeve .88 x 1.25 x .53
9	06530500	1	Nut, Locking Nylon .88-14
10	05409300	1	Bearing, Ball .88 x 1.75 x .50
11	02444500	1	Carrier
12	52404600	AR	Friction Wheel Assembly (Contains 1-11)
13	02477000	1	Carrier Shaft
14	06714500	2	Pin, Spring Clip
15	01054600	1	Drive Plate
16	02407100	1	Drive Disc Spacer 1.30 x .76 x .19
17	02407600	1	Spindle
18	06611000	1	Key, Feather .125 x .50 x .194
19	02458200	1	Housing Mount
20	05435100	2	Bearing .63 x 1.38 x .43
21	02415500	1	Bearing Spacer
22	00303400	1	Roller
23	06437200	1	Washer, Flat Steel .34 x .69 x .065
24	06308600	1	Washer, Lock .31 x .078
25	05946900	1	Bolt, Hex .31-18 x 1.00 Grade 5
26	02458100	1	Spindle Housing

# HANDLEBARS, LEVER CONTROLS, PANEL AND DASH

Model 924118, 121, 122, 332, 505, 506, 507, 508, 551



PS0813

# HANDLEBARS, LEVER CONTROLS, PANEL AND DASH

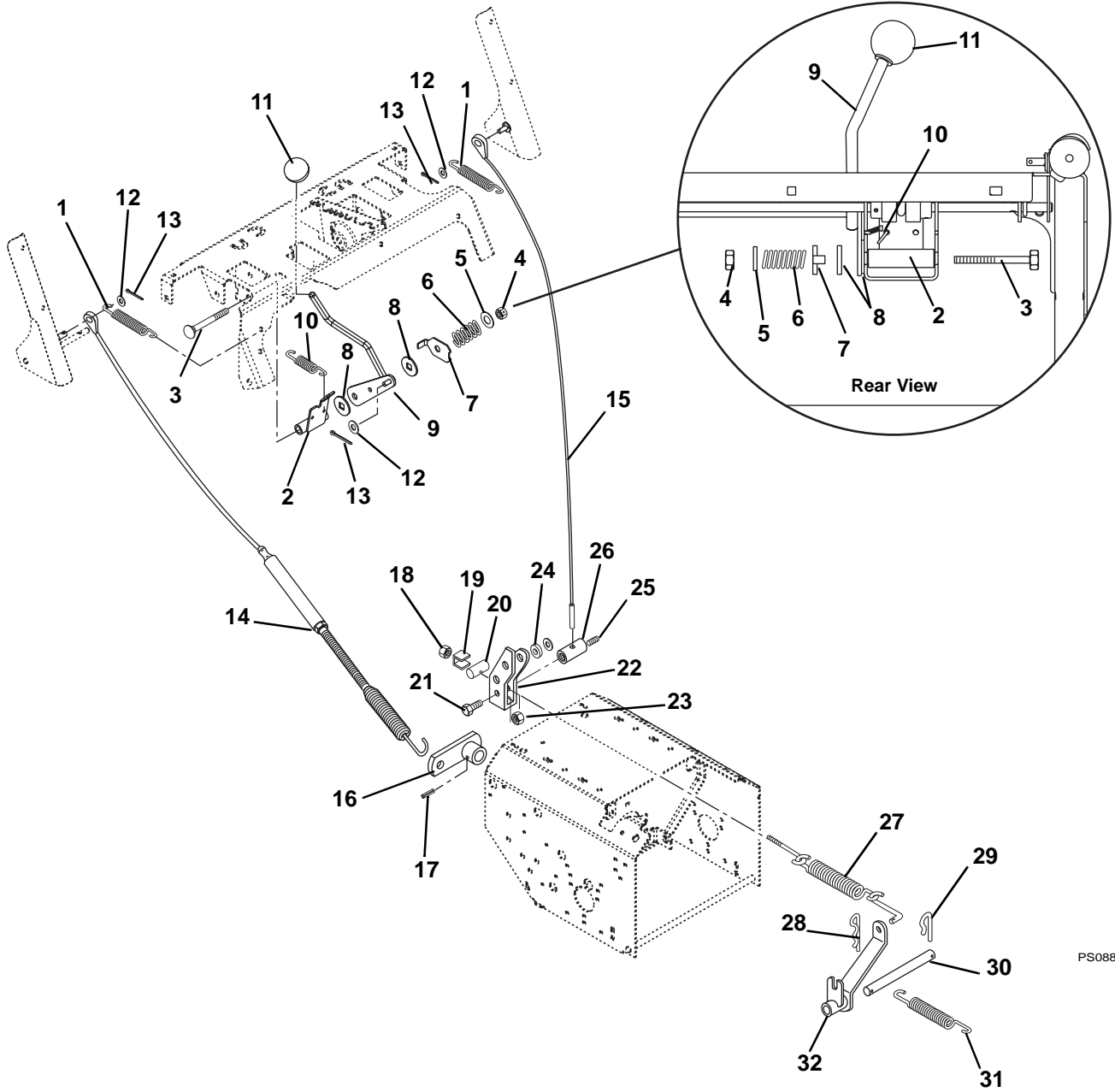
---

Model 924118, 121, 122, 332, 505, 506, 507, 508, 551

Item	Part No.	Qty.	Description
1	52415100	1	Handlebar, Upper Right Hand (Includes Hand Warmer) (121, 122, 332, 505, 506, 507, 508)
	02491951	1	Handlebar, Upper Right Hand (118, 551)
2	52415200	1	Handlebar, Upper Left Hand (Includes Hand Warmer) (121, 122, 332, 505, 506, 507, 508)
	02492051	1	Handlebar, Upper Left Hand (118, 551)
3	02491651	1	Panel, Sub Weldment
4	06212100	2	Bolt, Round Head Square Neck .31-18 x 1.50 Grade 5
5	06529800	2	Nut, Locking Center .31-18
6	06220100	2	Bolt, Round Head Square Neck .25-20 x 1.25
7	06529700	7	Nut, Locking Center .25-20
8	02491851	1	Handlebar, Lower
9	07511800	2	Bumper
10	02486451	1	Bracket, Cable Support (121, 505, 506)
11	05952500	2	Bolt, Hex .25-20 x 1.50 Grade 5 (121, 505, 506)
12	06529700	2	Nut, Locking Center .25-20 (121, 505, 506)
13	52416600	1	Kit, Right Hand Lever with Grip
14	52416700	1	Kit, Left Hand Lever with Grip
15	02492100	2	Cam, Interlock
16	06714500	2	Pin, Spring Clip
17	52415300	AR	Panel with Decal, 936 (507)
	52416800	AR	Panel with Decal, 1124 (332, 508)
	52417000	AR	Panel with Decal, 1128 (121, 122)
	52418600	AR	Panel with Decal, 1332 (505, 506)
	52418700	AR	Panel with Decal, 8524 (118, 551)
18	07511200	1	Bushing, Snap (121, 122, 332, 508)
19	02485000	1	Headlamp, Oval with 1156 Bulb
20	07416700	3	Screw, Tapping 10-16 x .75 Hi-Lo
21	06214300	5	Bolt, Round Head Square Short Neck .25-20 x .50
22	06221600	4	Bolt, Round Head Square Neck .31-18 x 2.25
23	06446800	4	Washer, Saddle .32 x .94 x .062
24	06307400	4	Washer, Locking .31 x .097 Heavy
25	06439400	4	Washer, Flat Steel .33 x .88 x .062
26	07531700	4	Knob, Wing .31-18
27	07028500	4	Bolt, Screw Hex Flanged Whiz Lock Head .38-16 x .75
28	06706900	2	Pin, Cotter .09 x .75 Extended Prong Square Cut
29	07518700	2	Handle Grip (118, 508)

# CABLES AND CONTROLS

Model 924118, 121, 122, 332, 505, 506, 507, 508, 551



PS0880



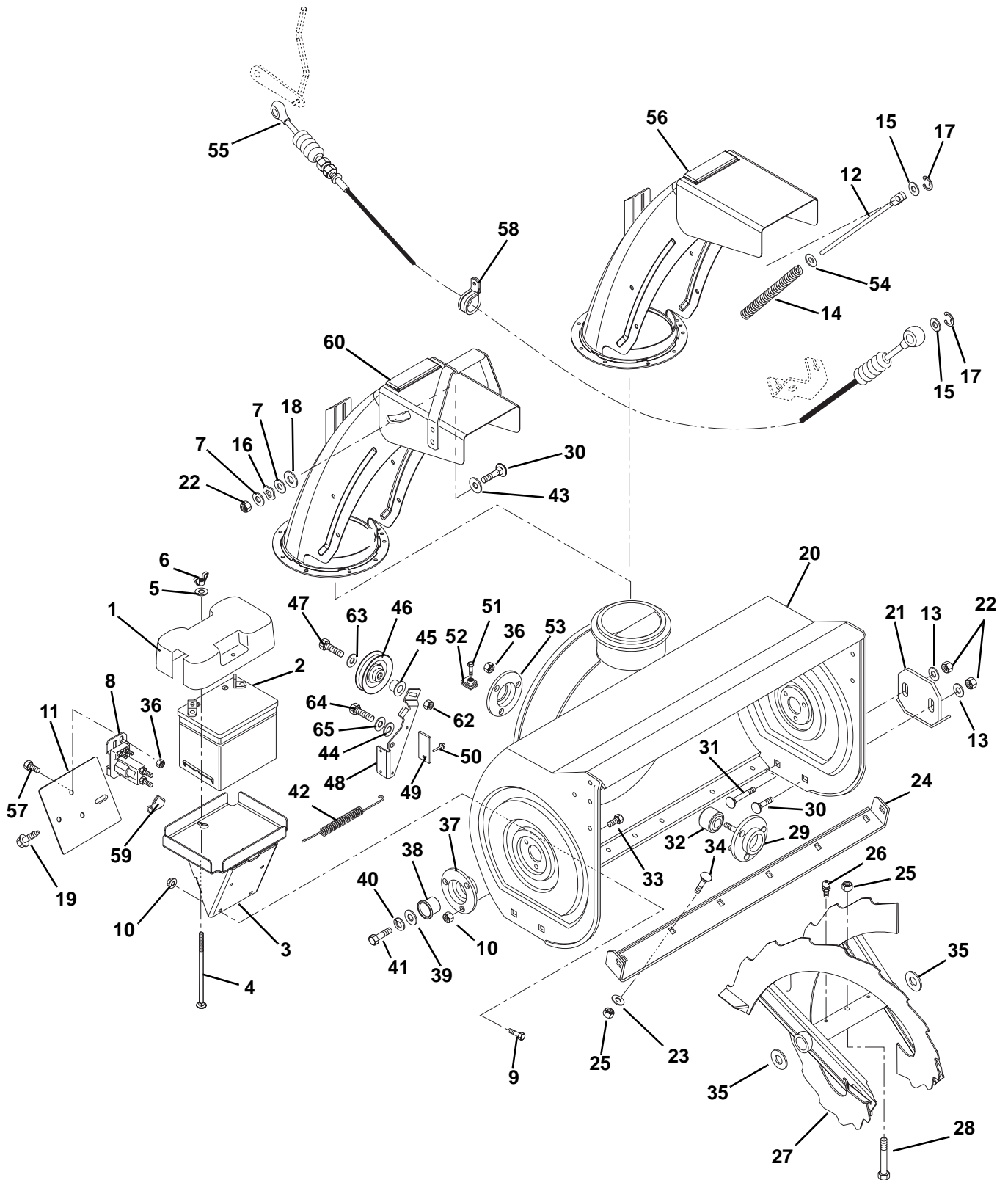
# CABLES AND CONTROLS

Model 924118, 121, 122, 332, 505, 506, 507, 508, 551

Item	Part No.	Qty.	Description
1	08337100	2	Spring, Tension .056 x .50 x 3.76
2	02492200	1	Arm, Interlock
3	05970400	1	Bolt, Hex .38-16 x 4.50 Grade 5 (121, 122, 332, 505, 506, 508)
	05957800	1	Bolt, Hex .38-16 x 3.00 Grade 5 (118, 507, 551)
4	06529600	1	Nut, Locking Center .38-16
5	06436200	1	Washer, Flat Steel .41 x .81 x .065 (121, 122, 332, 505, 506, 508)
6	08320900	1	Spring, Compression .19 x .56 x 1.62 (121, 122, 332, 505, 506, 508)
7	02463900	1	Pressure Flange (121, 122, 332, 505, 506, 508)
8	01123800	2	Washer, Friction (121, 122, 332, 505, 506, 508)
9	02492300	1	Lever, Deflector (121, 122, 332, 505, 506, 508)
10	08337000	1	Spring, Tension .05 x .44 x 38 x 1.45
11	07533500	1	Knob, Ball Black 1-.41, .38-16 (121, 122, 332, 505, 506, 508)
12	06437300	2	Washer, Flat Steel .28 x .62 x .065 (118, 507, 551)
	06437300	3	Washer, Flat Steel .28 x .62 x .065 (121, 122, 332, 505, 506, 508)
13	06707400	2	Pin, Cotter .09 x .50 (118, 507, 551)
	06707400	3	Pin, Cotter .09 x .50 (121, 122, 332, 505, 506, 508)
14	06947500	1	Cable, Auger
15	06947400	1	Cable, Traction
16	02485551	1	Lever, Clutch
17	05802600	1	Pin, Roll .16 x .88
18	06530200	1	Nut, Locking Nylon .31-18
19	01054200	1	Spacer, Adapter
20	02422700	1	Adapter
21	05947000	1	Bolt, Hex .31-18 x .75 Grade 5
22	02422800	1	Yoke, Clutch Engagement
23	06529800	3	Nut, Locking Center .31-18
24	02408600	1	Spacer 1.00 x .64 x .38
25	06005500	1	Screw, Set .31-18 x .38 Socket Head
26	02213500	1	Rod Adapter
27	52404700	1	Spring Assembly
28	06701900	1	Pin, Hair Internal .06 x .18 x .77
29	06944800	2	Clip, Spring
30	02406900	1	Rod, Fork Pivot
31	08309400	1	Spring, Tension .08 x .73 x 3.06
32	02427200	1	Clutch Fork

# CHUTE, AUGER AND BATTERY

Model 924118, 121, 122, 332, 505, 506, 508, 551



PS0438

# CHUTE, AUGER AND BATTERY

Model 924118, 121, 122, 332, 505, 506, 508, 551

Item	Part No.	Qty.	Description
1	04912900	1	Cover, Battery (332, 505, 506, 508)
2		A/R	Battery Recommend 340 to 350 CCA at 0° F. Size U1R or U1L (332, 505, 506, 508)
3	02484559	1	Battery Tray (506)
	02488659	1	Battery Tray (332, 505, 508)
4	06220400	2	Bolt, Round Head Square Neck .25-20 x 7.00 (332, 505, 506, 508)
5	06437300	6	Washer, Flat Steel .28 x .62 x .065 (332, 505, 506, 508)
6	06537500	2	Wing Nut, Locking .25-20 (332, 505, 506, 508)
7	06436200	2	Washer, Flat Steel .41 x .81 x .065 (332, 505, 506, 508)
8	03679000	1	Solenoid (332, 505, 506, 508)
9	05946800	4	Bolt, Hex .25-20 x .75 Grade 5 (332, 505, 506, 508)
10	06530100	6	Nut, Lock Flange .25-20 (118, 121, 122, 551)
	06530100	10	Nut, Lock Flange .25-20 (332, 505, 506, 508)
11	02484459	1	Cover, Solenoid (332, 505, 506, 508)
12	02479800	1	Rod, Chute (118, 121, 122, 332, 505, 506, 508, 551)
13	06435900	4	Washer, Flat Steel .44 x 1.00 x .083
14	08335200	1	Spring, Compression (121, 122, 332, 505, 506, 508)
15	06437300	2	Washer, Flat Steel .28 x .62 x .065 (121, 122, 332, 505, 506, 508)
16	01320200	1	Wave Washer (118, 551)
17	05718500	2	Ring, Retaining External .22 x .035 (121, 122, 332, 505, 506, 508)
18	06416800	1	Washer, Plastic .39 x .88 x .062 (118, 551)
19	07412000	2	Screw, Tapping .25-20 x .50 Hex Washer Head (332, 505, 506, 508)
20	52417600	1	Blower Housing with Decal 28" (121)
	52417800	1	Blower Housing with Decal 24" (122)
	52417700	1	Blower Housing with Decal 24" (332)
	52417900	1	Blower Housing with Decal 28" (508)
	52418000	1	Blower Housing with Decal 32" (505)
	52418100	1	Blower Housing with Decal 36" (506)
	52417500	1	Blower Housing with Decal 24" (118, 551)
21	02483059	2	Runner, Skid Shoe 1/2" Flange (122, 332, 505, 506, 508)
	02483859	2	Runner, Double Flange (118, 121, 551)
22	06529600	4	Nut, Locking .38-16 (121, 122, 332, 505, 506, 508)
	06529600	5	Nut, Locking .38-16 (118, 551)
23	06435700	5	Washer, Flat Steel .38 x .88 x .083 (118, 121, 122, 332, 508, 551)
	06435700	7	Washer, Flat Steel .38 x .88 x .083 (505)
	06435700	6	Washer, Flat Steel .38 x .88 x .083 (506)
24	02479159	1	Scraper Blade 28" (121)
	01016459	1	Scraper Blade 24" (118, 122, 332, 551)
	00175059	1	Scraper Blade 28" (508)
	00174959	1	Scraper Blade 32" (505)
	03519259	1	Scraper Blade 36" (506)
25	06529800	7	Nut, Locking Center .31-18 (118, 121, 122, 332, 508, 551)
	06529800	9	Nut, Locking Center .31-18 (505)
	06529800	8	Nut, Locking Center .31-18 (506)
26	07012600	4	Fitting, Lube .25-28 x .256
27	52410700	1	Rake, Left Hand - 28" (16" O.D.) (508) (Includes Item 26)
	52410800	1	Rake, Right Hand - 28" (16" O.D.) (508) (Includes Item 26)
	52413600	1	Rake, Right Hand - 24" (16" O.D.) (122, 332) (Includes Item 26)
	52413500	1	Rake, Left Hand - 24" (16" O.D.) (122, 332) (Includes Item 26)
	52411800	1	Rake, Left Hand - 28" (15" O.D.) (121) (Includes Item 26)
	52411900	1	Rake, Right Hand - 28" (15" O.D.) (121) (Includes Item 26)
	52412200	1	Rake, Left Hand - 32" (16" O.D.) (505) (Includes Item 26)
	52412300	1	Rake, Right Hand - 32" (16" O.D.) (505) (Includes Item 26)
	52412500	1	Rake, Left Hand - 36" (16" O.D.) (506) (Includes Item 26)
	52412600	1	Rake, Right Hand - 36" (16" O.D.) (506) (Includes Item 26)
	52411500	1	Rake, Left Hand - 24" (14.75 O.D.) (118, 551) (Includes Item 26)
	52411600	1	Rake, Right Hand - 24" (14.75 O.D.) (118, 551) (Includes Item 26)
28	51001500	2	Shear Bolt Service Assembly (Includes Item 25)
29	00301700	1	Bearing Flange (118, 121, 122, 332, 508, 505, 551)
	03086200	1	Bearing Flange (506)

# CHUTE, AUGER AND BATTERY

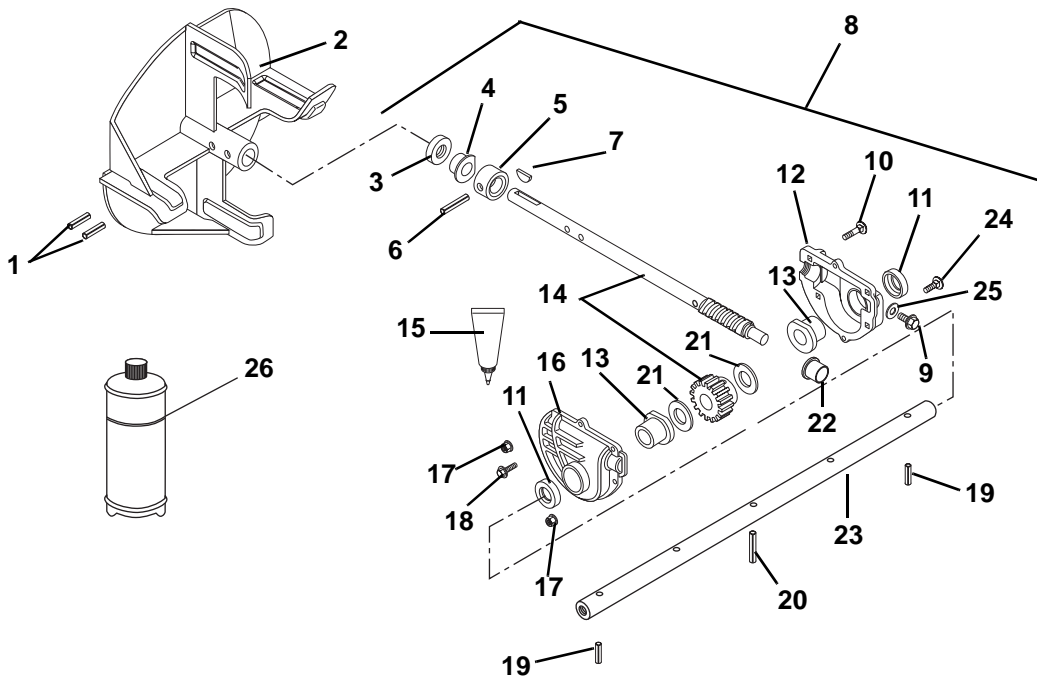
---

## Model 924118, 121, 122, 332, 505, 506, 508, 551

Item	Part No.	Qty.	Description
30	06211800	2	Bolt, Round Head Square Neck .38-16 x .75 (121, 505, 506)
	06211800	3	Bolt, Round Head Square Neck .38-16 x .75 (508)
	06211800	5	Bolt, Round Head Square Neck .38-16 x .75 (118, 122, 332, 551)
31	06212000	2	Bolt, Round Head Square Neck .38-16 x 1.00 (121, 505, 506, 508)
32	05418200	1	Bearing, Ball 1.0 x 2.0 x .56 (506)
	05406300	1	Bearing, Ball .75 x 1.75 x .50 (118, 121, 122, 332, 505, 508, 551)
33	07028600	6	Bolt, Serrated Neck Slotted .25-20 x .50
34	06212200	5	Bolt, Round Head Square Neck .312-18 x .62 (118, 121, 122, 332, 505, 508, 551)
	06212200	7	Bolt, Round Head Square Neck .312-18 x .62 (505)
	06212200	6	Bolt, Round Head Square Neck .312-18 x .62 (506)
35	06436300	4	Washer, Flat Steel 1.01 x 1.51 x .062
36	06529700	6	Nut, Locking Center .25-20 (121, 332, 505, 506, 508)
	06529700	4	Nut, Locking Center .25-20 (118, 122, 551)
37	02437451	2	Bearing Support
38	05503500	2	Bushing, Flange 1.00 x 1.12 x .62 x 1.50
39	06436400	2	Washer, Flat Steel .51 x 1.44 x .13
40	06306600	2	Washer, Lock .50 x .151
41	05947100	2	Bolt, Hex .50-13 x 1.00 Grade 5
42	08300001	1	Spring, Tension .080 x .687 x 5.16
43	06441100	1	Washer, Flat Steel .52 x .83 x .062 (118, 551)
44	06437500	1	Washer, Flat Steel .328 x 1.00 x .094
45	01213100	1	Bearing Spacer
46	02457400	1	Idler
47	06435700	1	Washer, Flat Steel .38 x .875 x .083
48	52418200	1	Brake Arm Assembly (Contains Items 49, 50) (122, 332, 505, 506, 507, 508)
	52418300	1	Brake Arm Assembly (Contains Items 49, 50) (118, 121, 551)
49	03229100	1	Brake Lining
50	06806700	2	Rivet, Tubular .19 x .44
51	07028500	2	Bolt, Hex Flanged Whizloc Head .38-16 x .75
52	07002600	2	Nut, Retainer .38-16
53	01014200	1	Bearing Flange (118, 121, 122, 332, 505, 508, 551)
	03086100	1	Bearing Flange (506)
54	06437200	1	Washer, Flat Steel .34 x .69 x .065 (121, 122, 332, 505, 506, 508)
55	06945400	1	Cable, Control (121, 122, 332, 505, 506, 508)
56	52417200	1	Chute, Remote Discharge (121, 122, 332, 508)
	52417300	1	Chute, Electric Discharge (505, 506)
57	05947900	2	Bolt, Hex .25-20 x .50 Grade 5
58	06908200	1	Clamp, Cushioned (121, 122, 332, 505, 506, 508)
59	07533200	2	Boot, Eyelet Terminal (332, 505, 506, 508)
60	52417400	1	Chute, Manual Discharge (118, 551)
61	06308400	2	Washer, Locking .25 x .06 Regular
62	06543100	1	Nut, Locking Top Flange .31-18
63	05947500	1	Bolt, Hex .31-18 x 1.25 Grade 5
64	05947000	1	Bolt, Hex .31-18 x .75 Grade 5
65	06307400	1	Washer, Locking .312 x .097 Heavy

# GEAR CASE-ALUMINUM

Model 924118, 121, 551

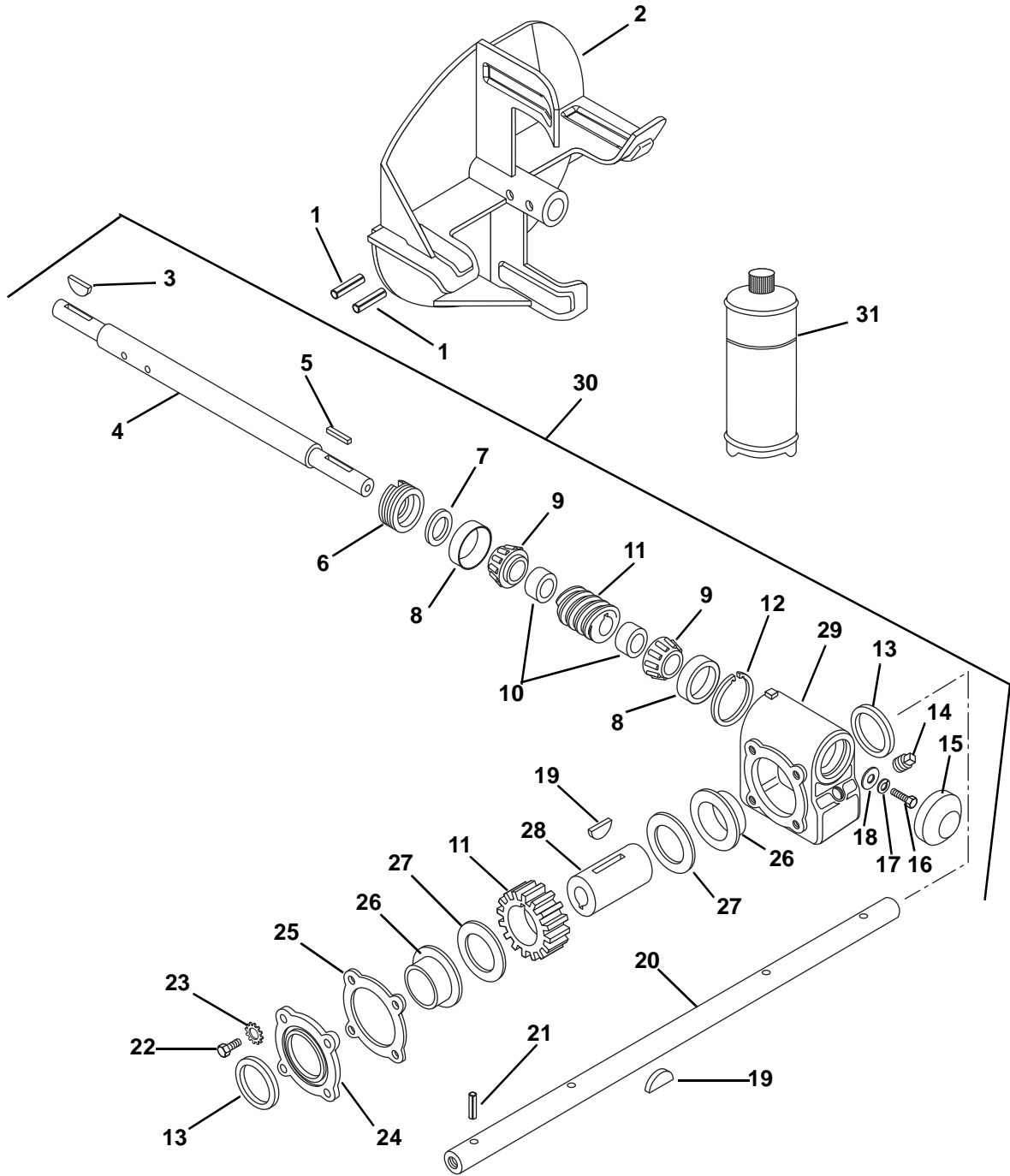


PS0692

Item	Part No.	Qty.	Description
1	05803700	2	Pin, Roll .25 x 1.75
2	02423751	1	Impeller 12" O.D.
3	05618900	1	Seal, Oil .75 x 1.38 x .31
4	05511200	1	Bushing, Flange .75 x 1.00 x .75 x 1.25
5	03210300	1	Thrust Collar
6	05804500	1	Pin, Groove .19 x 1.25
7	06600100	1	Key, Woodruff .19 x .88 x .38
8	52413400	AR	Case, Gear-Large Bore-28" (Contains Items 3-6, 9-18, 20-25) (121)
	52408100	AR	Gear Case-Large Bore-Aluminum- 24" (Contains Items 3-6, 9-18, 20-25) (118, 551)
9	07412900	1	Screw, Tapping .38-16 x .50
10	06219700	2	Bolt, Round Head Square Neck .25-20 x 1.25 Grade 5
11	05618800	2	Seal 1.00 x 1.38
12	02470600	1	LS Case Half Left Hand Large Bore
13	05530100	2	Bushing, Flanged 1.00 x 1.12 x 1.50 x .50
14	52402600	1	Worm Shaft and Gear Assembly
15	00925700	1	Loctite Gasket 518 850 cc Cartridge
16	02470700	1	LS Case Half Right Hand Large Bore
17	06530100	4	Nut, Locking Flange .25-20
18	07413000	2	Screw, Tapping 10-24 x .75
19	05803000	2	Pin, Roll .19 x 1.50
20	05806900	1	Pin, Groove .31 x 1.44
21	06416600	2	Washer, Flat Steel 1.01 x 1.54 x .062
22	05520600	1	Bushing, Flange .50 x 1 x .75
23	02479300	1	Rake Shaft 28" (121)
	02438300	1	Rake Shaft 24" (118, 551)
24	06219800	2	Bolt, Round Head Square Neck .25-20 x 1.00
25	06442500	1	Washer, Fiber .44 x .66 x .032
26	00008000	1	Ariens 16 Oz. Bottle of L2 Lube (2.5 oz. capacity)

# GEAR CASE-CAST IRON

Model 924122, 332, 505, 506, 508



PS0472

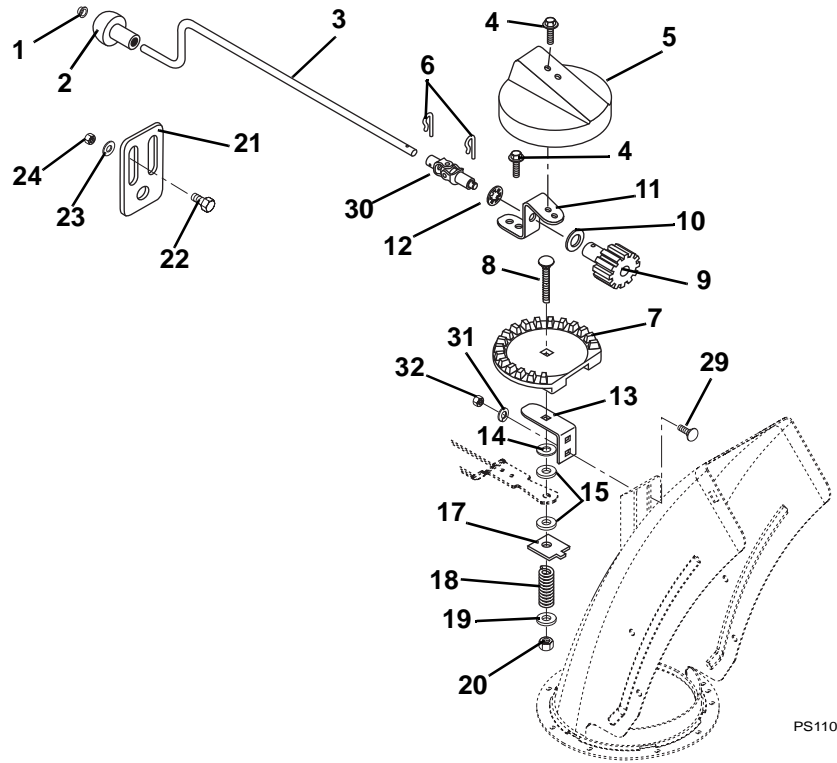
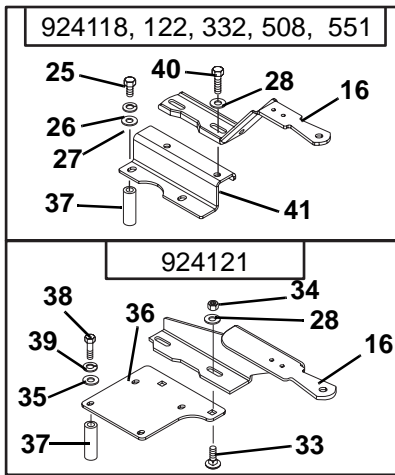
# GEAR CASE-CAST IRON

Model 924122, 332, 505, 506, 508

Item	Part No.	Qty.	Description
1	05801500	2	Pin, Roll .31 x 1.75
2	02437651	1	Impeller (506)
	02418551	1	Impeller (122, 332, 505, 508)
3	06600100	1	Key, Woodruff .19 x .88 x .38
4	02437500	1	Worm Shaft, 1.00" Diameter (506)
	02406200	1	Worm Shaft, 1.00" Diameter (122, 332, 505, 508)
5	06601300	1	Key, Square .19 x 1.00 x .19
6	02401500	1	Adjustment Plug
7	05606100	1	Seal 1.00 x 1.31 x .15
8	05404400	2	Bearing, Cup 1.78 x .48
9	05404500	2	Bearing, Cone .75 x .61
10	00200500	2	Bearing Spacer 1.12 x 1.52 x .5
11	52400900	1	Worm and Gear Service Assembly
12	05707500	1	Ring, Retaining Internal 1.78 x .062
13	05607000	2	Seal 1.63 x 2.13 x .25
14	00150900	1	Pipe Plug
15	00403700	1	Dust Cap
16	05947000	1	Bolt, Hex .31-18 x .75 Grade 5
17	06307400	1	Washer, Lock .31 x .10
18	06437500	1	Washer, Flat Steel .33 x 1.00 x .09
19	06600800	2	Key, Woodruff .25 x .88 x .38
20	02472100	1	Rake Shaft 24" 1.00 Diameter (118, 122, 332, 551)
	02459600	1	Rake Shaft 28" 1.00 Diameter (508)
	02406500	1	Rake Shaft 32" 1.00 Diameter (505)
	03519500	1	Rake Shaft 36" 1.00 Diameter (506)
21	05803000	2	Pin, Roll .19 x 1.50
22	05946800	4	Bolt, Hex .25-20 x .75 Grade 5
23	06306800	4	Washer, Lock External .26 x .50 x .026
24	02401300	1	Gear Case Cover
25	00200800	1	Gasket
26	05505900	2	Bushing, Flange 1.63 x 1.87 x 1.68 x 2.25
27	06408700	2	Washer, Flat Steel 1.63 x 2.50 x .01
28	02406400	1	Gear Case Shaft
29	02400200	1	Gear Case, Cast Iron
30	52408000	AR	Gear Case, Cast Iron (122, 332, 505, 508)
	52403500	AR	Gear Case, 32"- Cast Iron (506)
31	00008000	1	Ariens 16 oz. Bottle of L2 Lube (5 oz. capacity)

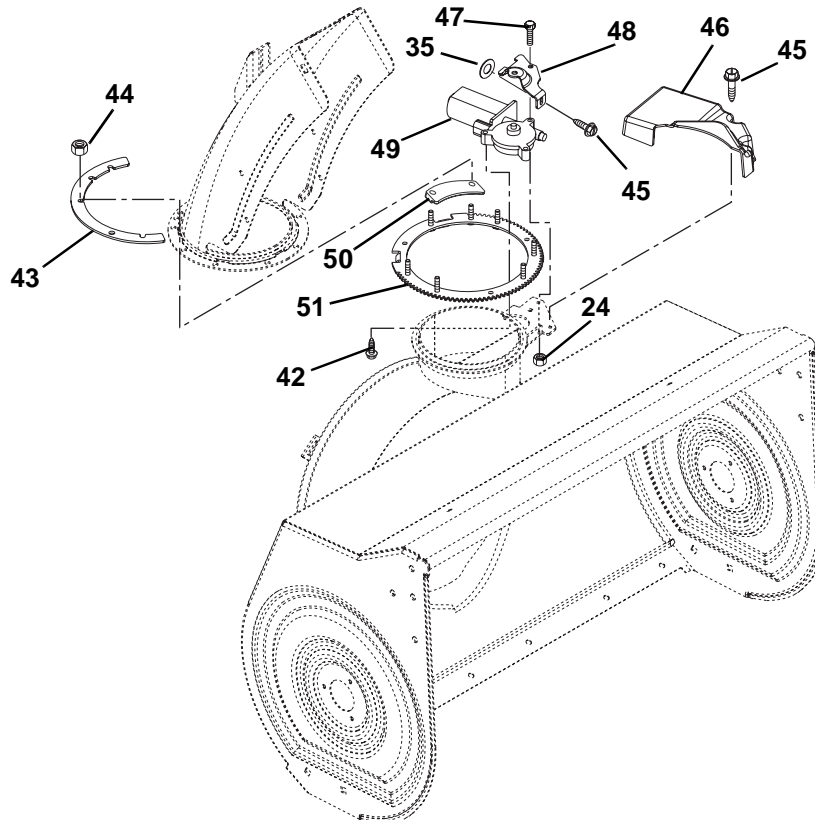
# DISCHARGE CHUTE - MANUAL AND ELECTRIC

Model 924118, 121, 122, 332, 508, 551



PS1100

Model 924505, 506



PS0861



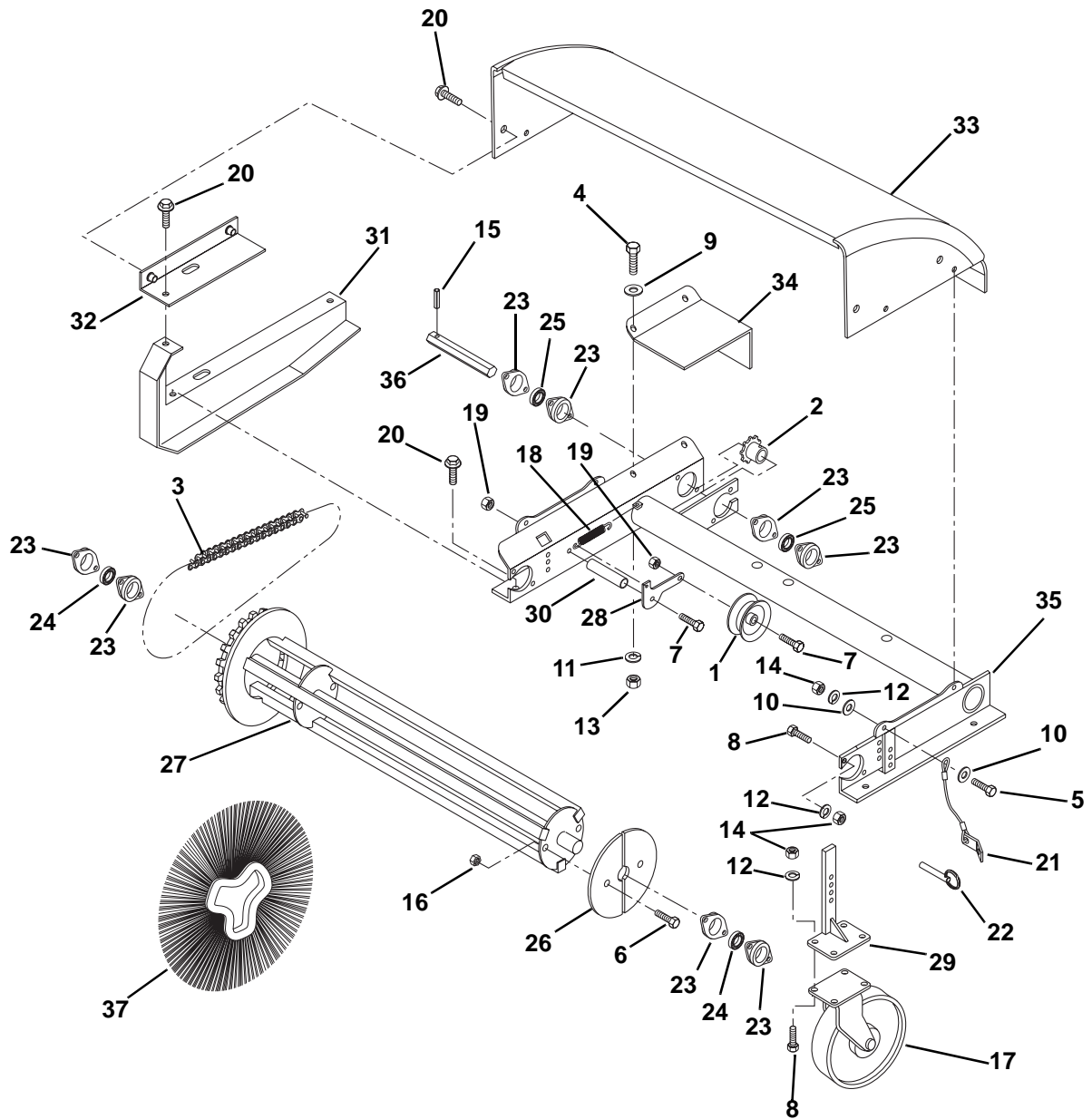
# DISCHARGE CHUTE - MANUAL AND ELECTRIC

Model 924118, 121, 122, 332, 505, 506, 508, 551

Item	Part No.	Qty.	Description
1	01019800	1	Cap, .38 Rod
2	07508300	1	Knob
3	02492900	1	Crank, Chute
4	07412000	4	Screw .25-20 x .50 Hex Washer Head Self Tapping
5	03223000	1	Cover, Gear
6	06714500	2	Pin, Spring Clip
7	03222900	1	Gear, Chute
8	06224400	1	Bolt, Round Head Square Neck .38-16 x 2.50 Grade 5
9	53204400	1	Pinion Gear w/Bracket (Contains Items 10-12)
10	06436100	1	Washer, Flat Steel .63 x 1.01 x .062
11	03220551	1	Bracket, Gear
12	03224300	1	Push Nut
13	03220751	1	Gear Strap
14	06439300	1	Washer, Flat Steel .38 x 1.50 x .062
15	01123800	2	Friction Washer
16	02497551	1	Bracket, Chute Support (118, 122, 332, 508, 551)
	00164151	1	Bracket, Chute Support (121)
17	03219000	1	Friction Plate
18	08320900	1	Spring, Compression .19 x .56 x 1.62
19	06436200	1	Washer, Flat Steel .41 x .81 x .065
20	06529600	1	Nut, Locking Center .38-16
21	03245051	1	Bracket, Chute Crank Support
22	05947900	2	Bolt, Hex .25-20 x .50 Grade 5
23	06437300	2	Washer, Flat Steel .281 x .62 x .065
24	06529700	2	Nut, Locking Center .25-20 (118, 121, 122, 332, 508, 551)
	06529700	1	Nut, Locking Center .25-20 (505, 506)
25	05947500	2	Bolt, Hex .31-18 x 1.25 Grade 5 (118, 551)
26	06307400	2	Washer, Locking .31 x .08 Regular (118, 551)
27	06437200	2	Washer, Flat Steel .34 x .69 x .065 (118, 551)
28	06435800	2	Washer, Flat Steel .31 x .73 x .065
29	06219900	1	Bolt, Round Head Square Neck .25-20 x .75 Grade 5
30	02495900	1	Assembly, Universal with Pin End
31	06308400	1	Washer, Locking .25 x .062
32	06533200	1	Nut, Hex .25-20
33	06215700	2	Bolt, Round Head Square Neck .31-18 x .75 (121, 122, 332, 508)
34	06529800	2	Nut, Locking Center .31-18 (121, 122, 332, 508)
35	06437300	4	Washer, Flat Steel .28 x .62 x .065 (121, 122, 332, 508)
	06437300	1	Washer, Flat Steel .28 x .62 x .065 (505, 506)
36	02480751	1	Bracket, Engine (121, 122, 332, 508)
37	02480900	4	Spacer, Tube (121, 122, 332, 508)
	03233600	2	Spacer, Tube (118, 551)
38	05946800	4	Bolt, Hex .25-20 x .75 Grade 5 (121, 122, 332, 508)
39	06308400	4	Washer, Locking .25 x .06 x .065 (121, 122, 332, 508)
40	05947000	2	Bolt, Hex .31-18 x .75 Grade 5 (118, 551)
41	02496351	1	Bracket, 8.5 HP Engine (118, 551)
42	07414400	2	Screw, Tapping .31-18 x .75 Hex Washer Head (505, 506)
43	02486959	2	Ring, Cover (505, 506)
44	06530100	6	Nut, Locking Flange .25-20 (505, 506)
45	07411900	3	Screw, Tapping 12-24 x .50 Hex Washer Head (505, 506)
46	02487100	1	Cover, Motor (505, 506)
47	05947400	1	Bolt, Hex .25-20 x 1.25 Grade 5 (505, 506)
48	02488251	1	Bracket, Electric Motor (505, 506)
49	52418400	1	Motor, Electric Right Hand Chute (505, 506)
50	02487000	3	Clamp, Chute (505, 506)
51	02486800	1	Gear, Chute (505, 506)

# BRUSH HEAD

Model 924507



PS0592

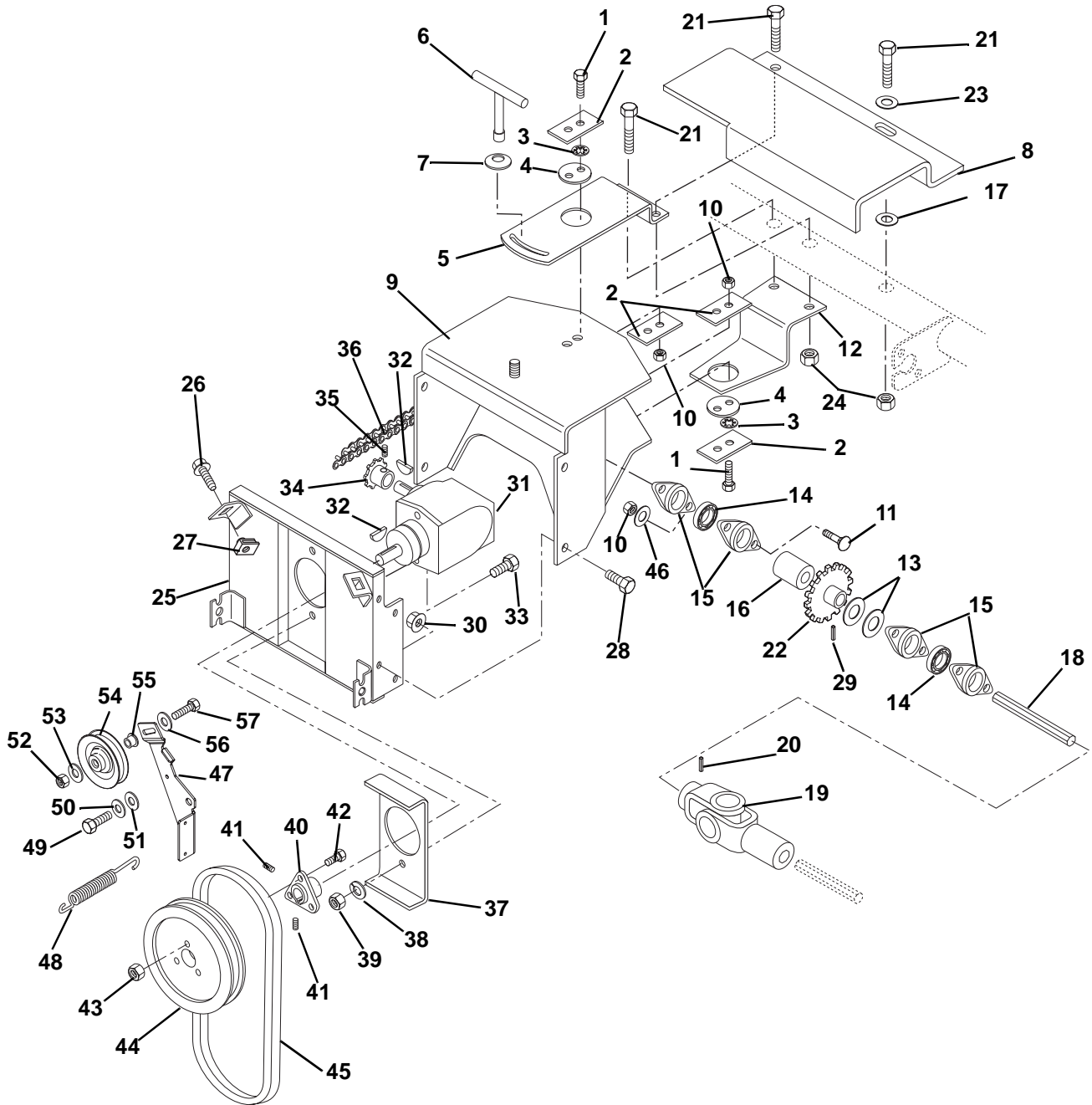
# BRUSH HEAD

Model 924507

Item	Part No.	Qty.	Description
1	01061300	1	Chain Tightener
2	01060900	1	Sprocket
3	02468300	1	Chain, Assembly #40 x 106
4	05946800	2	Bolt, Hex .25-20 x .75 Grade 5
5	05946900	4	Bolt, Hex .31-18 x 1.00 Grade 5
6	05963700	2	Bolt, Hex .31-18 x 2.25 Grade 5
7	05957900	2	Bolt, Hex .38-16 x 1.50 Grade 5
8	05947000	16	Bolt, Hex .31-18 x .75 Grade 5
9	06437300	2	Washer, Flat Steel .28 x .62 x .065
10	06435800	8	Washer, Flat Steel .31 x .73 x .065
11	06308400	2	Washer, Lock .25 x .062 Regular
12	06308600	20	Washer, Lock .31 x .078 Regular
13	06533200	2	Nut, Hex .25-20
14	06529200	20	Nut, Hex .31-18
15	02468400	1	Pin, Spring Lok .19 x 1.25
16	02468500	2	Nut, Lok Stamped .31-18
17	07109400	2	Wheel, 5 inch Diameter
18	02468600	1	Spring, Tension .50 x 3.00
19	06529600	2	Nut, Locking Center .38-16
20	02468700	5	Screw, Gear 10.9 M6 x 1-20
21	02468800	2	Lanyard .06 Cable 1.25 x 6
22	00547800	2	Pin, Hitch .38 x 2
23	02411300	8	Flange, Spherical 2 inch
24	05423400	2	Bearing 1.00 Bore, Spherical
25	05409700	2	Bearing, Ball .84 Hex x 52 MM x 1.07
26	01062900	1	Retainer Plate
27	02469000	1	Weldment, Core
28	02469100	1	Arm, Idler
29	02469200	2	Weldment, Caster Leg
30	02469300	1	Bushing .62 x 12 Gauge x .75
31	02469400	1	Shield, Chain
32	02469500	1	Shield Chain Top
33	02469600	1	Weldment, Head
34	02469700	1	Shield, Input
35	02469800	1	Weldment, Broom Frame
36	02469900	1	Shaft, Hex 20.5 with Hole
37	02470000	1	Set, 24 Section

# BRUSH DRIVE UNIT

Model 924507



PS1110

Item	Part No.	Qty.	Description
1	05947500	4	Bolt, Hex .31-18 x 1.25 Grade 5
2	02404800	4	Retainer
3	06307200	4	Washer, Locking Internal .313 x .030
4	02404900	2	Pivot, Center
5	02471751	1	Plate, Top Mount
6	02470900	1	T-Lock Handle
7	00597000	1	Washer, Cupped Serrated .38

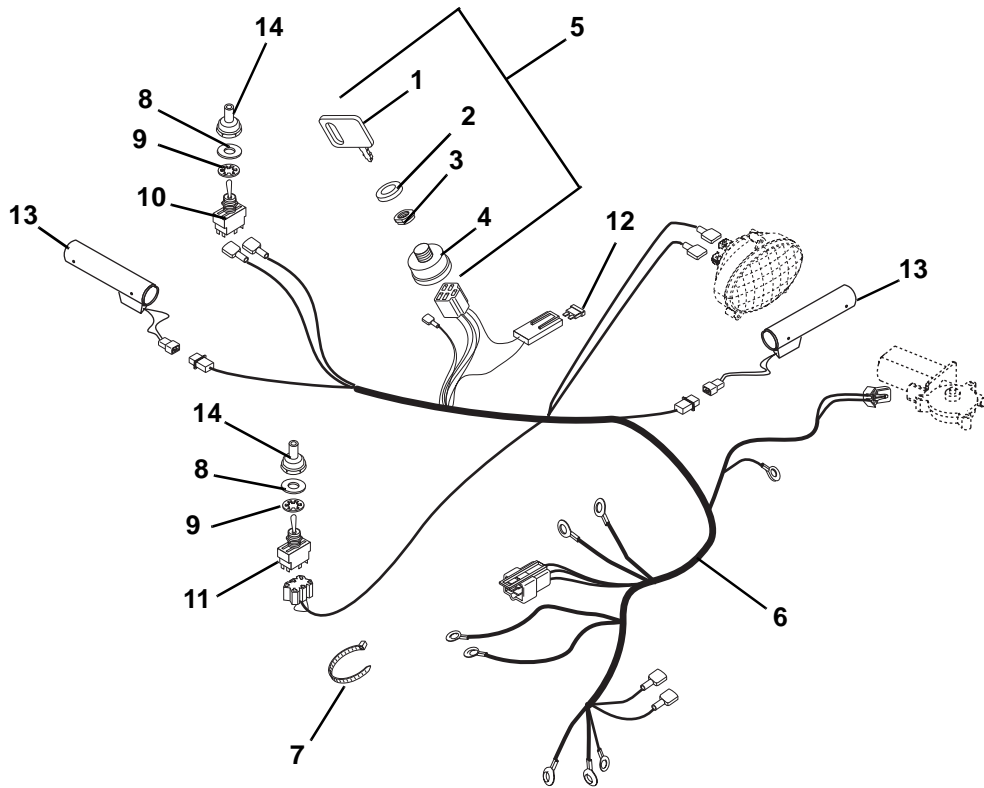
# BRUSH DRIVE UNIT

Model 924507

Item	Part No.	Qty.	Description
8	02470151	1	Guard, Shaft
9	02405051	1	Frame, Adapter
10	06529800	4	Nut, Locking Top .31-18
11	06215700	4	Bolt, Round Head Square Neck .31-18 x .75 Grade 5
12	02471851	1	Plate, Bottom Mount
13	06418500	2	Washer, Flat Steel 1.015 x 1.500 x .125
14	05409700	2	Bearing, Ball
15	02429600	4	Flange, Bearing
16	02447600	1	Spacer 1.006 x 1.307 x .500
17	06436800	1	Washer, Flat Steel .390 x .88 x .18
18	02429100	1	Shaft
19	02495500	1	Universal Joint
20	05803000	1	Pin, Roll .188 x 1.50
21	05961100	3	Bolt, Hex .38-16 x 3.25 Grade 5
22	01062000	1	Sprocket
23	06436200	1	Washer, Flat Steel .406 x .812 x .065
24	06529600	3	Nut, Locking Center .38-16
25	02498851	1	Plate, Mounting Broom
26	07028500	2	Bolt, Hex Flanged Whizloc Head .38-16 x .75
27	07002600	2	Nut, Retainer .38-16
28	05959400	4	Bolt, Hex .38-16 x .75 Grade 5
29	05805600	1	Pin, Roll .188 x 1.75
30	06529600	4	Nut, Locking Center .38-16
31	02400400	1	Gear Box Assembly
32	06600300	2	Key, Woodruff .188 x .75 x .313 SAE 9
33	05958000	2	Bolt, Hex .38-16 x 1.25 Grade 5
34	02429800	1	Sprocket
35	06001100	2	Screw, Set .25-20 x .25 Socket Head Cup Point
36	01207800	1	Chain
37	02429551	1	Plate, Stiffener
38	06308800	2	Washer, Lock .38 x .094
39	06529400	2	Nut, Hex .38-16
40	50202100	1	Hub Assembly
41	06005500	2	Screw, Set .31-18 x .38 Socket Head Cup Point
42	07005300	3	Bolt, Serrated Round Head Slotted .31-18 x .75
43	06530400	3	Nut, Locking Flanged .31-18
44	07307000	1	Pulley-V 9.00 x 1.25
45	07210800	1	V-Belt 4L-Section 36.813 x .531
	07238400	1	V-Belt 4L 37.30
46	06435700	4	Washer, Flat Steel .38 x .875 x .083
47	52418200	1	Arm, Auger/Brake-High with Lining
48	08316400	1	Spring, Tension .062 x .56 x 8.00
49	05947000	1	Bolt, Hex .31-18 x .75 Grade 5
50	06307400	1	Washer, Locking .312 x .097 Heavy
51	06437500	1	Washer, Flat Steel .328 x 1.00 x .094
52	06529800	1	Nut, Locking Center .31-18
53	06437200	1	Washer, Flat Steel .344 x .688 x .065
54	02457400	1	Idler
55	01213100	1	Spacer, Bearing
56	06435700	1	Washer, Flat Steel .38 x .875 x .083
57	05947500	1	Bolt, Hex .31-18 x 1.25 Grade 5

# ELECTRICAL

Model 924121, 122, 332, 505, 506, 507, 508

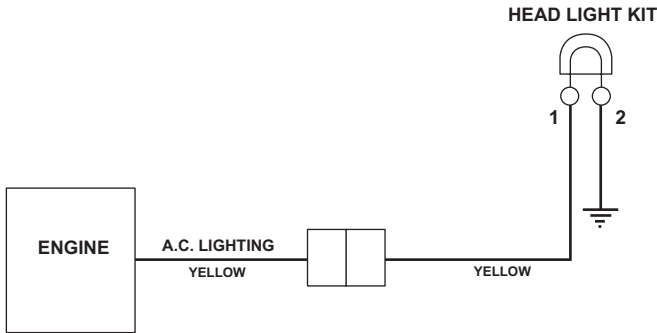
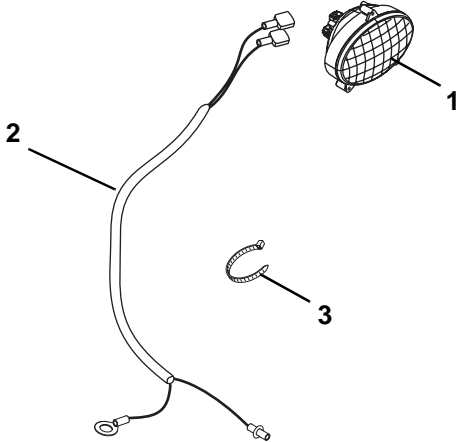


PS0891

tem	Part No.	Qty.	Description
1	02460700	1	Key with Cap (332, 505, 506, 508)
2	07517700	1	Cap, Ignition Switch (332, 505, 506, 508)
3	06517300	1	Nut, Panel .63-32 (332, 505, 506, 508)
4	02739600	1	Ignition Switch Assembly (332, 505, 506, 508)
5	52709300	1	Switch Assembly (Includes Items 1 thru 4) (332, 505, 506, 508)
6	00162900	AR	Harness, Wiring-Light and Hand Warmer (121, 122, 507)
	00163100	AR	Harness, Wiring-Light and Hand Warmer (332, 508)
	00163000	AR	Harness, Wiring-Light, Hand Warmer and Chute (505, 506)
7	07517300	3	Cable Tie (332, 505, 506, 508)
	07517300	1	Cable Tie (121, 122, 507)
8	06403800	2	Washer, Flat Steel .51 x .88 x .024 (505, 506)
	06403800	1	Washer, Flat Steel .51 x .88 x .024 (121, 122, 332, 507, 508)
9	06310900	2	Washer, Locking Internal .56 x .04 (505, 506)
	06310900	1	Washer, Locking Internal .56 x .04 (121, 122, 332, 507, 508)
10	02485700	1	Switch, On/Off Hand Warmer
11	02485600	1	Switch, Chute Rotation (505, 506)
12	00524700	1	15 AMP Fuse
13	07532900	2	Hand Warmer with Terminal (Recommend Fast Drying Epoxy for Installation)
14	09207600	AR	Boot, Switch (Optional)

# ELECTRICAL AND WIRING DIAGRAM

Model 924118, 551



PS0900

Item	Part No.	Qty.	Description
1	02485000	1	Headlamp, Oval with 1156 Bulb
2	03246000	1	Harness, Wire
3	07517300	1	Cable Tie

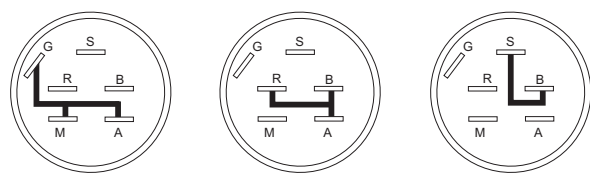
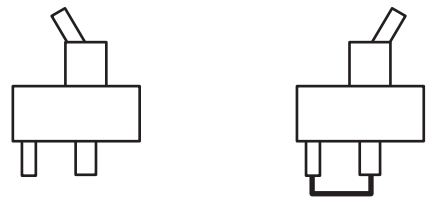
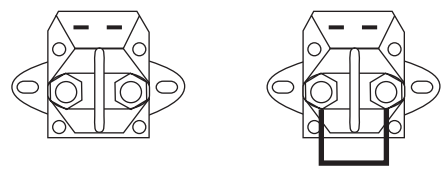
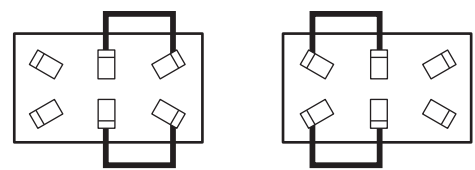
# CONTINUITY DIAGRAM

## Model 924332, 505, 506, 508

The diagrams below show the various states of connection for electrical components.

The solid lines on switches show continuity.

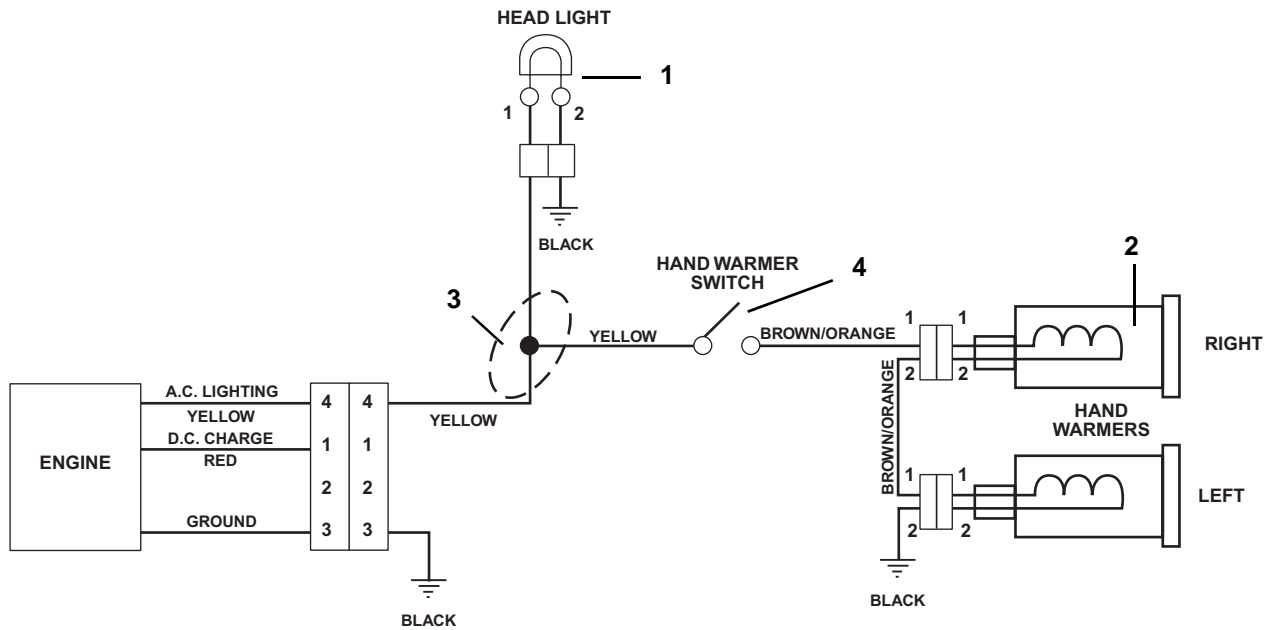
**NOTE:** All switches are viewed from the rear.

<p><b>Key Switch</b> (02739600)</p>  <div style="display: flex; justify-content: space-around; margin-top: 10px;"> <span>OFF</span> <span>RUN</span> <span>START</span> </div>	<p><b>Hand Warmer Switch</b> (02485700)</p>  <div style="display: flex; justify-content: space-around; margin-top: 10px;"> <span>HAND WARMER OFF</span> <span>HAND WARMER ON</span> </div>
<p><b>Solenoid (Top View)</b> (03679000)</p>  <div style="display: flex; justify-content: space-around; margin-top: 10px;"> <span>NOT ENERGIZED</span> <span>ENERGIZED</span> </div>	<p><b>Chute Motor Switch (Models 505, 506)</b> (02486500)</p>  <div style="display: flex; justify-content: space-around; margin-top: 10px;"> <span>LEVER LEFT CHUTE LEFT</span> <span>LEVER RIGHT CHUTE RIGHT</span> </div>



# CONTINUITY AND WIRING DIAGRAMS

Model 924121, 122, 507



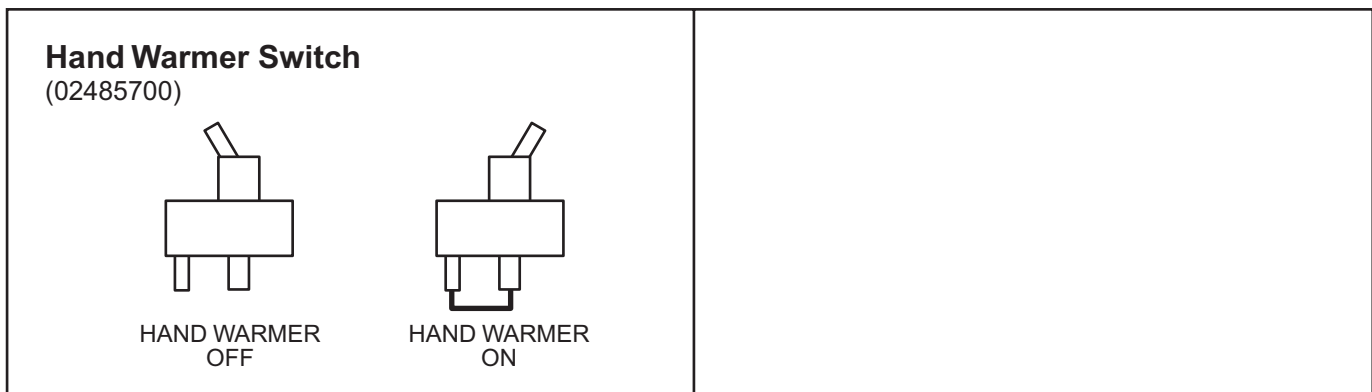
PS0830

Item	Part No.	Qty.	Description
1	02485000	1	Headlamp, Oval with 1156 Bulb
2	07532900	2	Warmer, Hand with Terminal (Recommend Fast Drying Epoxy for Installation)
3	00162900	1	Wire Harness-Hand Warmers and Light
4	02485700	1	Switch, On/Off Hand Warmer

The diagrams below show the various states of connection for electrical components.

The solid lines on switches show continuity.

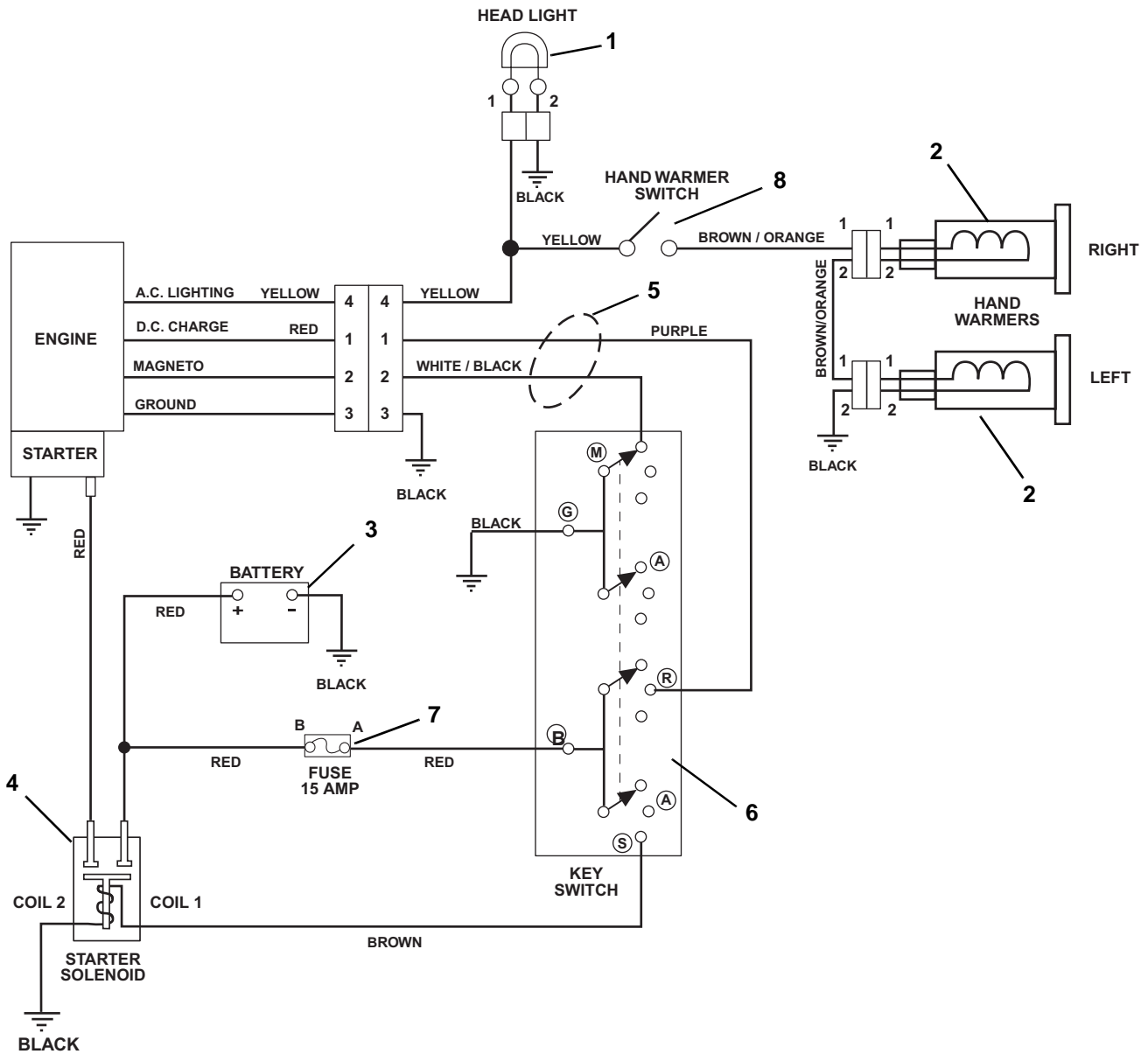
**NOTE:** All switches are viewed from the rear.



PS0820

# WIRING DIAGRAM

Model 924332, 508

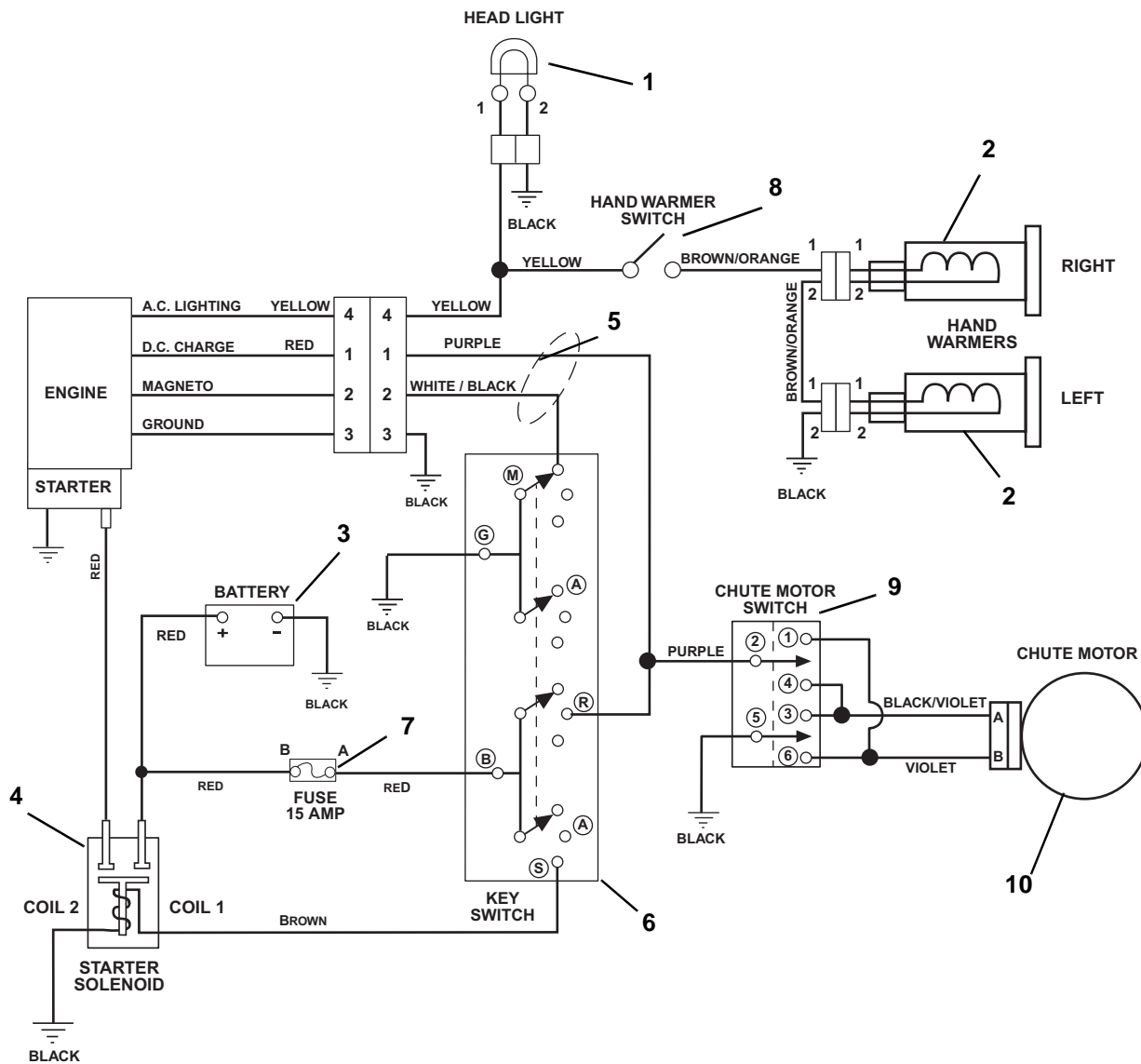


PS0672

Item	Part No.	Qty.	Description
1	02485000	AR	Headlamp, Oval with 1156 Bulb
2	07532900	2	Warmer, Hand - with Terminal (Recommend Fast Drying Epoxy for Installation)
3		AR	Battery Recommend 340 to 350 CCA at 0° F. Size U1R or U1L
4	03679000	1	Solenoid
5	00163100	1	Wire Harness 12 Volt
6	52709300	1	Switch Assembly
7	00524700	1	15 AMP Fuse
8	02485700	1	Switch, On/Off Hand Warmer

# WIRING DIAGRAM

Model 924505, 506



PS0850

Item	Part No.	Qty.	Description
1	02485000	AR	Headlamp, Oval with 1156 Bulb
2	07532900	2	Warmer, Hand - with Terminal Recommend Fast Drying Epoxy for Installation
3		AR	Battery Recommend 340 to 350 CCA at 0° F. Size U1R or U1L
4	03679000	1	Solenoid
5	00163000	1	Wire Harness 12 Volt
6	52709300	1	Switch Assembly
7	00524700	1	15 AMP Fuse
8	02485700	1	Switch, Hand Warmer
9	02485600	1	Switch, Chute Motor
10	52416500	1	Motor, Electric Right Hand- Chute



Ariens Company  
655 West Ryan Street  
P.O. Box 157  
Brillion, WI 54110-0157  
920-756-2141  
Fax 920-756-2407  
[www.ariens.com](http://www.ariens.com)