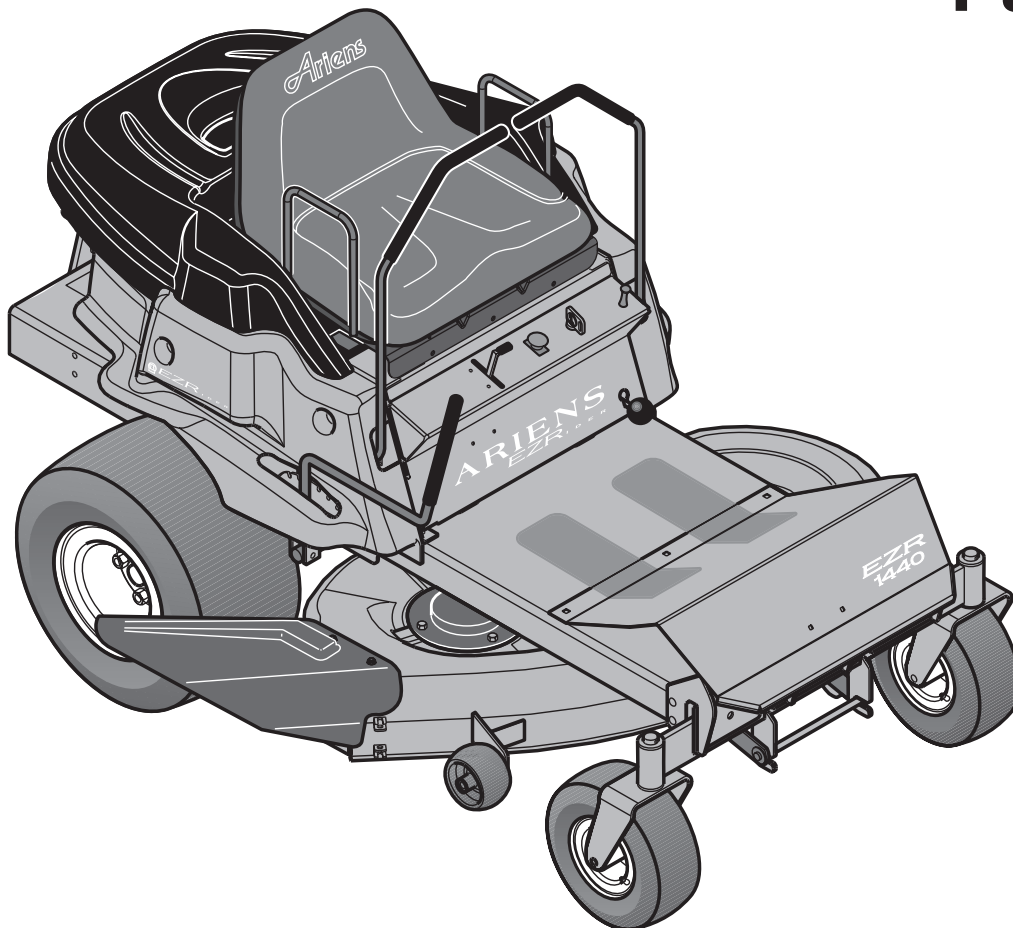


Ariens®

EZRider™

Parts Manual

915
SERIES



MODELS

008 - 1540

009 - 1648

010 - 1540

304 - 1540

305 - 1648

TABLE OF CONTENTS

MODELS

Model 915008 (EZR 1540)

15 HP Briggs & Stratton Van Guard
Serial No. 000101 and up

Model 915009 (EZR 1648)

16 HP Briggs & Stratton Van Guard
Serial No. 000101 and up

Model 915010 (EZR 1540)

15HP Kohler
Serial No. 000101 and up

Model 915304 (EZR 1540 - International)

15 HP Briggs & Stratton Van Guard
Serial No. 000101 and up

Model 915305 (EZR 1648 - International)

16 HP Briggs & Stratton Van Guard
Serial No. 000101 and up

SECTION 1: DECALS

Decals 2

SECTION 2: POWER PLANT

Clutch Shaft 4

Transaxles and Wheels 6

Parking Brake and Dump Valves 8

Engine & Exhaust 10

Belt Idlers 12

SECTION 3: MAIN FRAME

Frame 14

Seat, Support & Fuel Tank 16

Front Axle 18

Cover Assembly 20

SECTION 4: OPERATOR CONTROLS

Controls 22

Attachment Lift 24

Hanger Arm 26

SECTION 5: MOWER DECKS

40" Mower Deck 28

48" Mower Spindle 30

48" Mower Pan 32

SECTION 6: ELECTRICAL SYSTEM

Continuity Diagrams 35

15 HP Briggs & Stratton 36

16 HP Briggs & Stratton 37

15 HP Kohler 38

REFERENCE TABLE

Hardware descriptions are given in decimals.

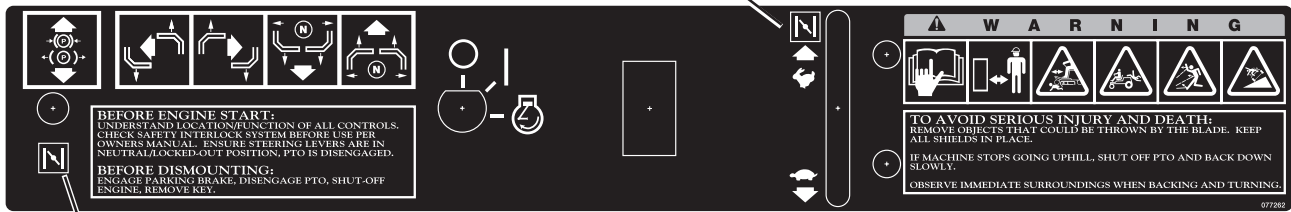
Decimals to Fractions			
.063	1/16	.563	9/16
.125	1/8	.625	5/8
.188	3/16	.688	11/16
.250	1/4	.750	3/4
.313	5/16	.813	13/16
.375	3/8	.875	7/8
.438	7/16	.938	15/16
.500	1/2	1.00	1

DECALS

Models 915008,009,010,304,305

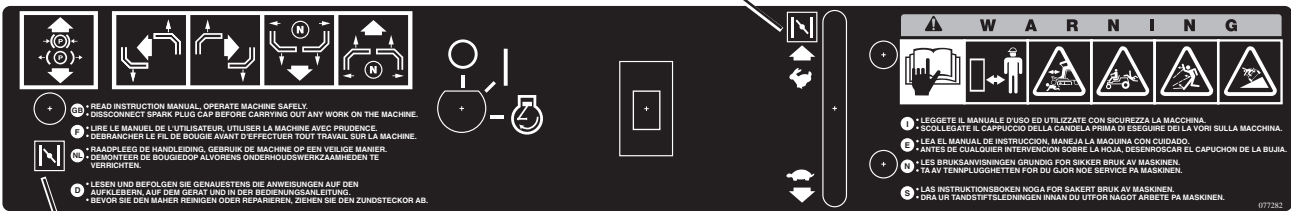
Models 008,010

1

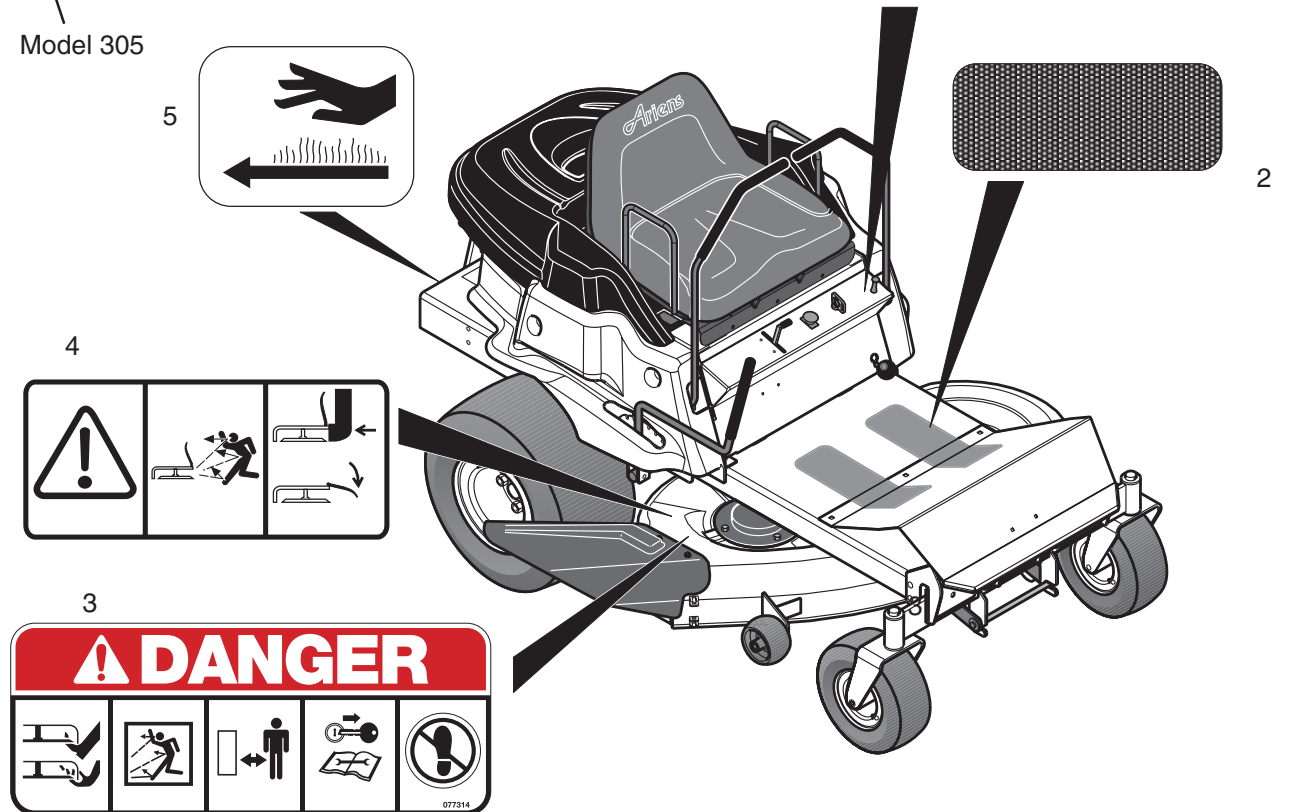


Model 009

Model 304



Model 305

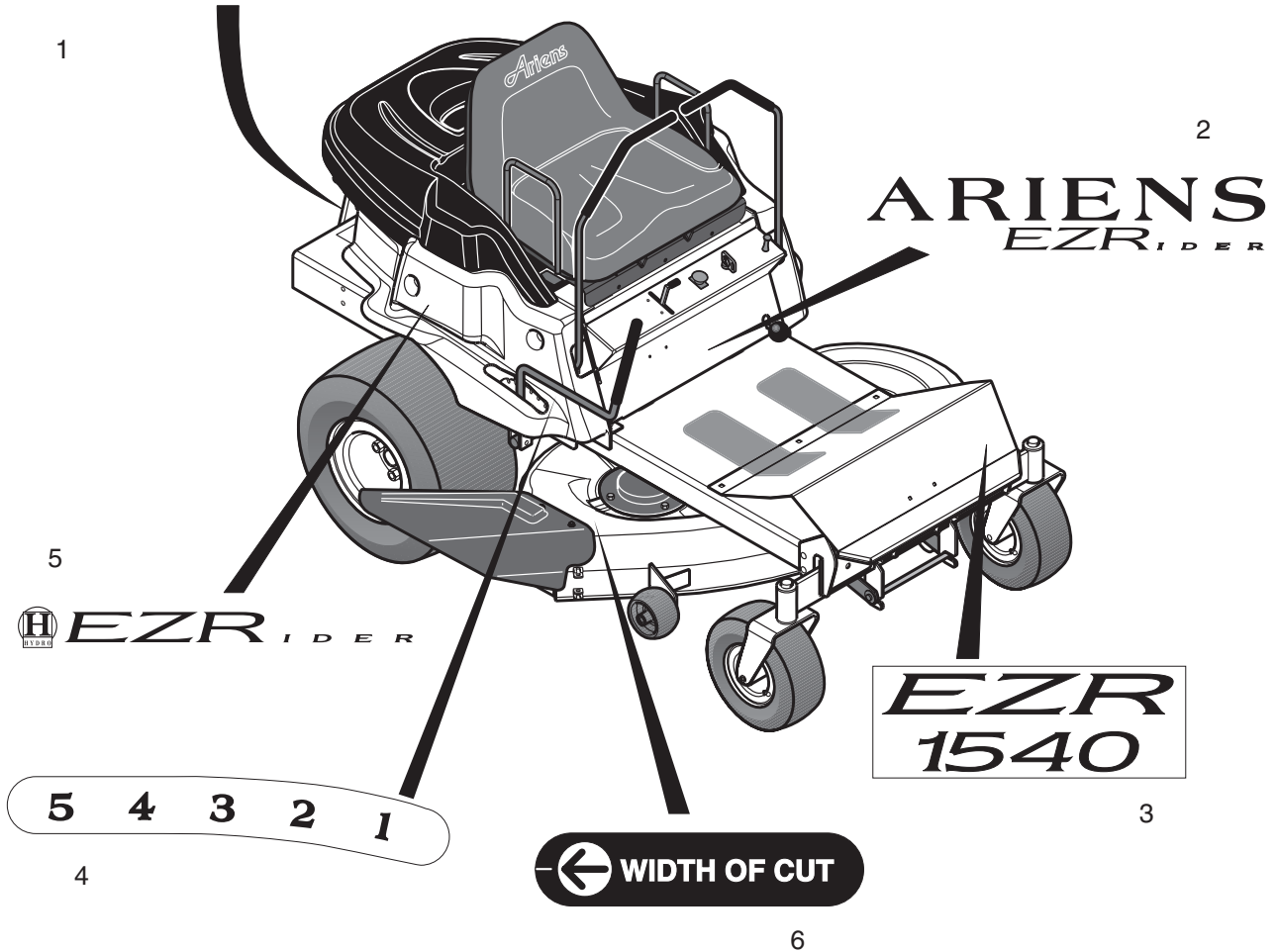


PE0162

Item No.	Part No.	Qty.	Description
1	07726200	1	Decal - EZR - Control (008,009,019)
	07728200	1	Decal, EZR Control (304,305)
2	01528000	2	Nonskid Cover
3	07731400	2	Decal, Mower Pan
4	07730700	1	Decal, Discharge
5	07843200	1	Decal, Hot Surface

DECALS

Models 915008,009,010,304,305

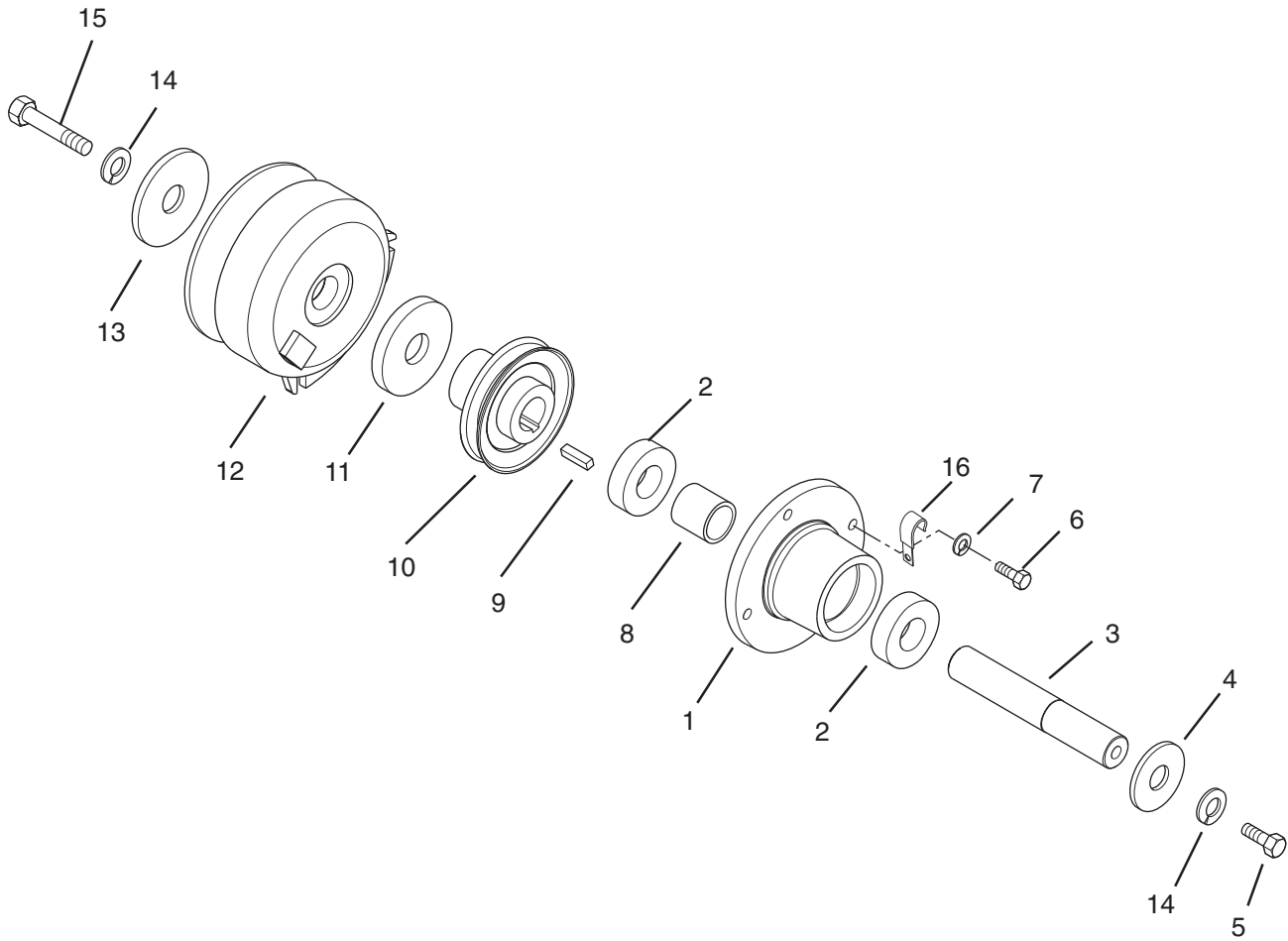


PE0172

Item No.	Part No.	Qty.	Description
1	07721400	1	Decal - Ariens Est. 1933
2	07726800	1	Decal - EZRider
3	07726500	1	Decal - EZR 1540 (008,010,304)
	07726600	1	Decal - EZR 1648 (009,305)
4	07729100	1	Decal - Deck Lift
5	07726300	2	Decal - EZR Rider
6	07825100	1	Decal - Width of Cut (009,305)
	Set 61506800	1	Decal Set EZR

CLUTCH SHAFT- HYDRO

Models 915008,009,010,304,305



PE0013

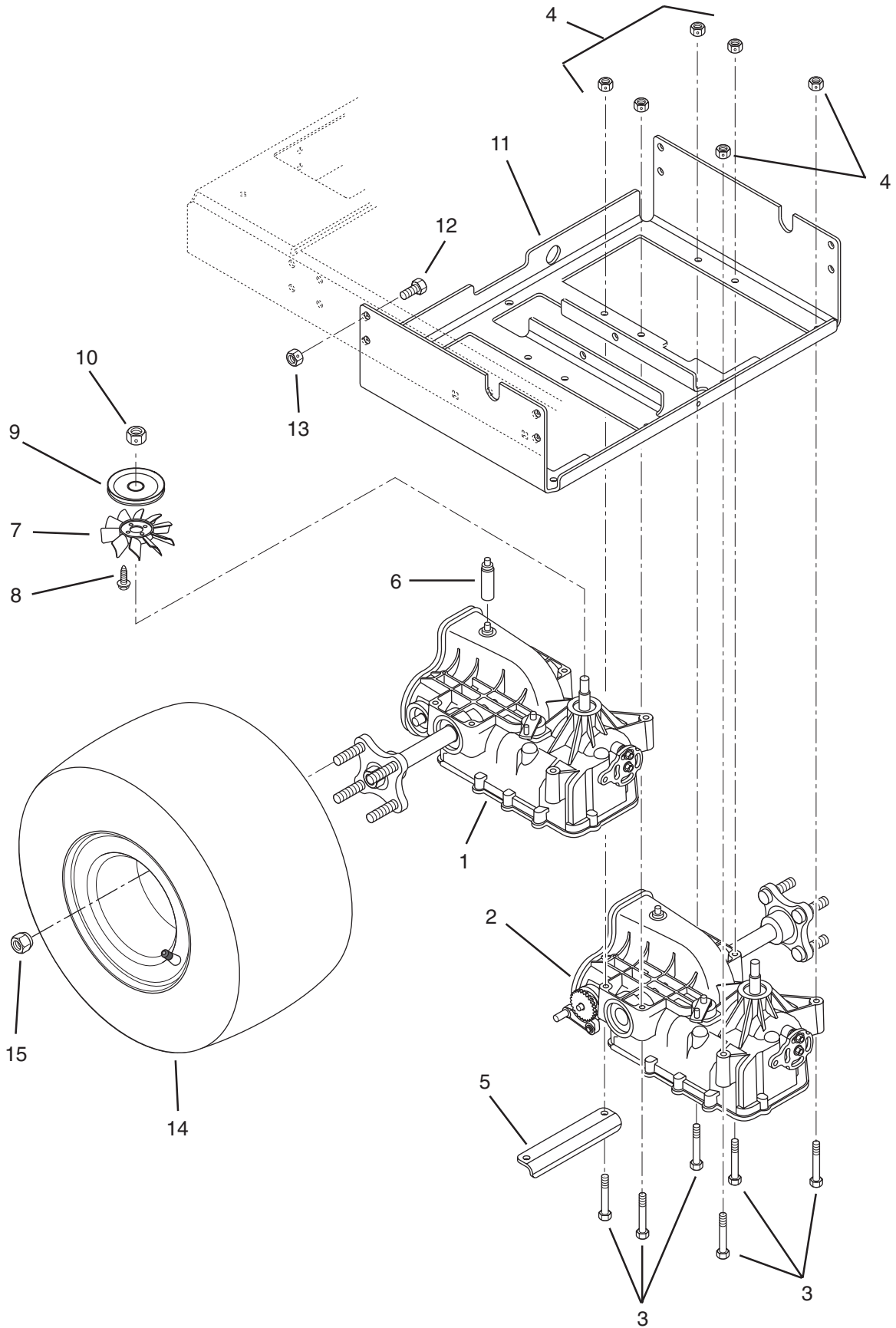
CLUTCH SHAFT - HYDRO

Models 915008,009,010,304,305

Item No.	Part No.	Qty.	Description
1	00506700	1	Housing, Transmission Spindle
2	05421500	2	Bearing, Ball .984 x 2.04 x .59
3	01531300	1	Jackshaft (008,010,304)
	01532100	1	Jackshaft 1540/1648 (009,305)
4	06443500	1	Washer-Flat-Steel .436 x 1.375 x .250
5	05964500	1	Bolt, Hex .44-20 x 1.00 Grade 5
6	05947000	4	Bolt-Hex .31-18 x .75 Grade 5
7	06308600	4	Washer-Lock .313 x .078
8	00506800	1	Spacer, 1.25 OD x 1.0 ID x 1.26
9	06602200	1	Key-Square .25 x 1.00 x .25
10	07323600	1	Sheave, Jackshaft
11	01531400	1	Spacer (008,010,304)
	01543700	1	Spacer (009,305)
12	03601800	1	Electric Clutch/Brake (008,304,)
	03357900	1	Clutch/Brake, Electric (009,305)
	03643100	1	Clutch/Brake, Electric (010)
13	06443600	1	Washer-Flat-Steel .469 x 2.000 x .250
14	06310700	2	Washer-Lock .438 x .133
15	05964600	1	Bolt-Hex .44-20 x 2.50 (008,010,304)
	05958800	1	Bolt-Hex .44-20 x 1.50 (009,305)
16	06909400	1	J-Clamp

TRANSAXLES AND WHEELS

Models 915008,009,010,304,305



PE0220

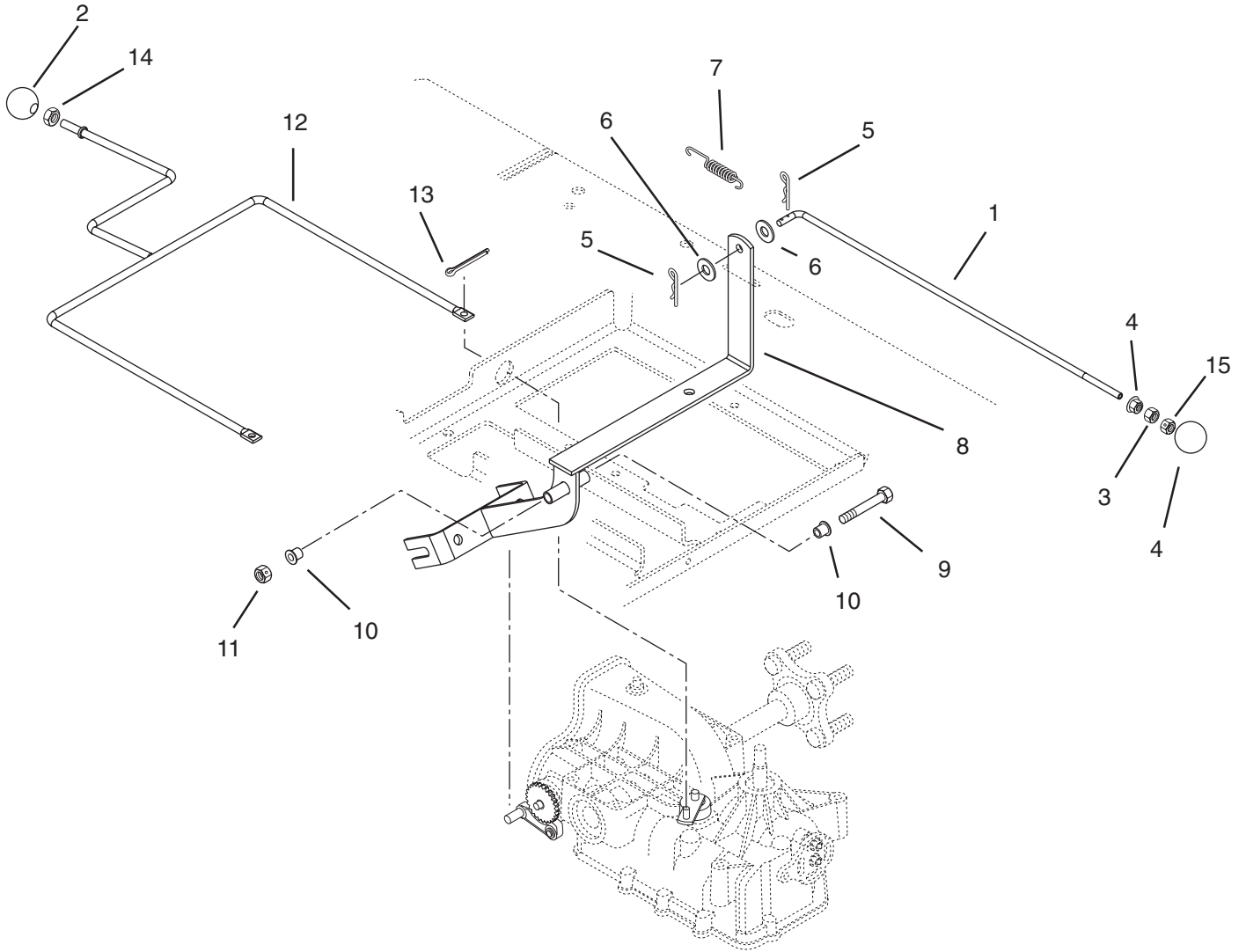
TRANSAXLES AND WHEELS

Models 915008,009,010,304,305

Item No.	Part No.	Qty.	Description
1	01540300	1	Transaxle Hydro-Gear Right Hand
2	01540400	1	Transaxle Hydro-Gear Left Hand
3	05952600	12	Bolt-Hex .31-18 x 2.50 Grade 5
4	06529800	12	Nut-Locking-Center .31-18
5	01543900	1	Transaxle Bracket
6	01543100	2	Hose-Vent
7	03570000	2	Fan
8	07413000	4	Screw-Tapping 10-24 x .75 Hex Washer Head
9	07321400	2	Sheave-Transaxle
10	06530000	2	Nut-Locking-Center .50-20
11	01540900	1	Transaxle Cradle
12	05959400	8	Bolt-Hex .38-16 x .75 Grade 5
13	06529600	8	Nut-Locking-Center .38-16
14	07144600	2	Tire/Wheel 18 x 8.50-8
	07144900	AR	Rim for 18 x 8.50-8 Tire
	07145100	AR	Tire 18 x 8.50-8
15	06525400	4	Nut, Hex .50-20

PARKING BRAKE AND DUMP VALVES

Models 915008,009,010,304,305



PE0241

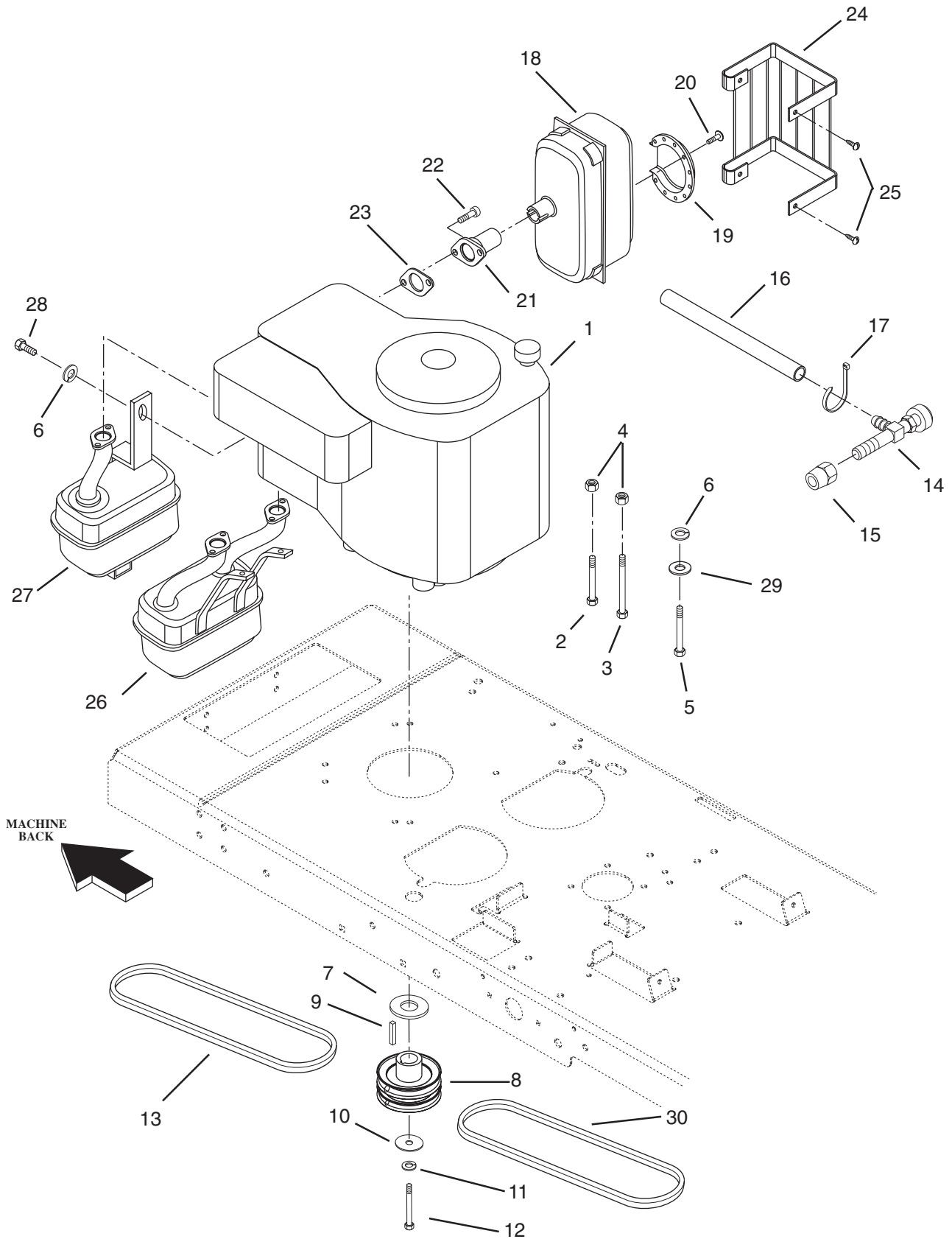
PARKING BRAKE AND DUMP VALVES

Models 915008,009,010,304,305

Item No.	Part No.	Qty.	Description
1	01540200	1	Brake Rod
2	07515900	2	Knob
3	06529200	1	Nut-Hex .31-18
4	06530400	1	Nut-Locking-Flange .312-18
5	06713500	2	Pin-Hair-Internal .08 x .18 x 1.18
6	06437200	2	Washer-Flat-Steel .344 x .688 x .065
7	08325200	1	Spring-Tension .051 x .60 x 2.25 Weldment 7.0
8	01541300	1	Brake Arm Weldment
9	05966300	1	Bolt-Hex .25-20 x 3.00
10	05521000	2	Bushing-Flange .257 x .38 x 1.080
11	06529700	1	Nut-Locking-Center .25-20
12	01540100	1	Dump Valve Weldment
13	06713500	2	Pin-Cotter .09 x .75
14	06536100	1	Nut-Jam .312-18
15	06529800	1	Nut-Locking-Center .312-18

ENGINE & EXHAUST

Models 915008,009,010,304,305



PE0123

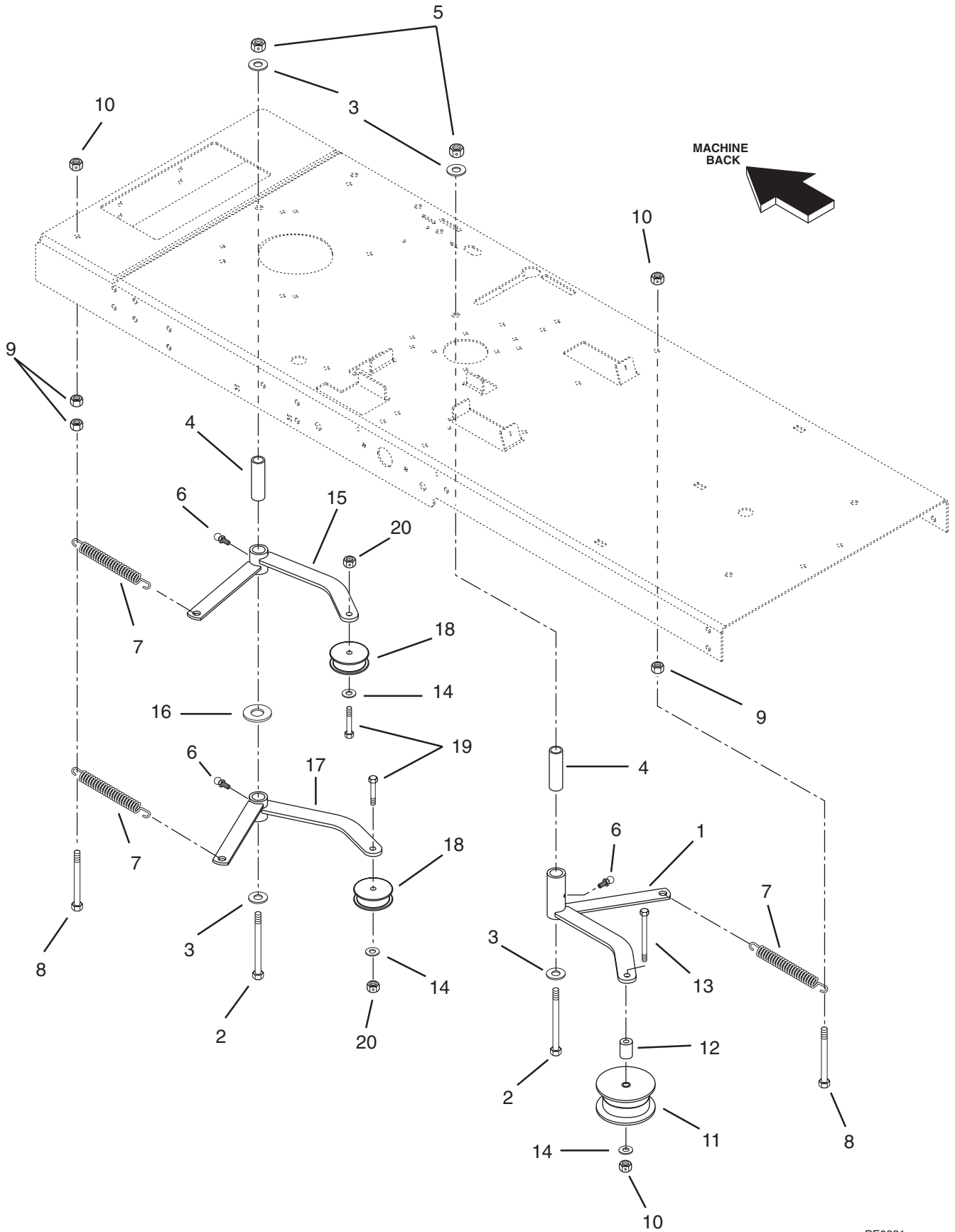
ENGINE & EXHAUST

Models 915008,009,010,304,305

Item No.	Part No.	Qty.	Description
1	08254000	1	Engine - 15.0 B & S Vanguard (008,304)
	08245200	1	Engine - 15.0 Kohler OHV (010)
	08241500	1	Engine - 16.0 B & S Vanguard (009,305)
2	05947500	1	Bolt-Hex .31-18 x 1.25 Grade 5 (008,304)
	05947500	3	Bolt-Hex .31-18 x 1.25 Grade 5 (009,305)
3	05952400	3	Bolt-Hex .31-18 x 1.50 Grade 5 (008,304)
	05952400	1	Bolt-Hex .31-18 x 1.50 Grade 5 (009,305)
4	06529800	4	Nut-Locking .312-18 (008,009,304,305)
5	05964900	4	Bolt-Hex Metric 8MM-1.25 x 25MM Grade 5 (010)
6	06308600	5	Washer-Lock .313 x .078 (010)
7	06430000	1	Washer-Flat-Steel 1.062 x 2.000 x .134
8	07323500	1	Pulley 3.75 w/1.00 Key
9	06602600	1	Key-Square .25 x 2.50 x .25
10	06443600	1	Washer-Special .469 x 2.000 x .250
11	06310700	1	Washer-Lock .438 x .133
12	05965700	1	Bolt-Hex .44-20 x 3.00 Grade 5
13	07212300	1	V-Belt, Transmission Drive
14	03493200	1	Cock, Oil Drain
15	03493100	1	Adapter, Oil Drain
16	01523400	1	Tube Oil Drain
17	07517300	1	Cable Tie
18	01523000	1	Muffler B & S 496652 (008,304)
19	01523200	1	Deflector B & S 222573 (008,304)
20	01523300	4	Screw B & S 93705 (008,304)
21	01523100	1	Muffler Adaptor Pipe (008,304)
22	05933100	2	Screw-Cap .31-18 x .75 (008,304)
23	03652700	1	Gasket (008,304)
24	01528200	1	Muffler Guard (304)
25	07411600	2	Screw-Tapping .250-20 x .37 (304)
26	01523600	1	Muffler Assembly (009,305)
NS	01538300	1	Muffler Guard (305)
27	01523500	1	Muffler Kohler (010)
28	05947200	1	Bolt-Hex .31-18 x .50 Grade 5 (010)
29	06437200	3	Washer-Flat-Steel .344 x .688 x .065
30	07233900	1	Belt, Engine to Jackshaft

BELT IDLERS

Models 915008,009,010,304,305



PE0231

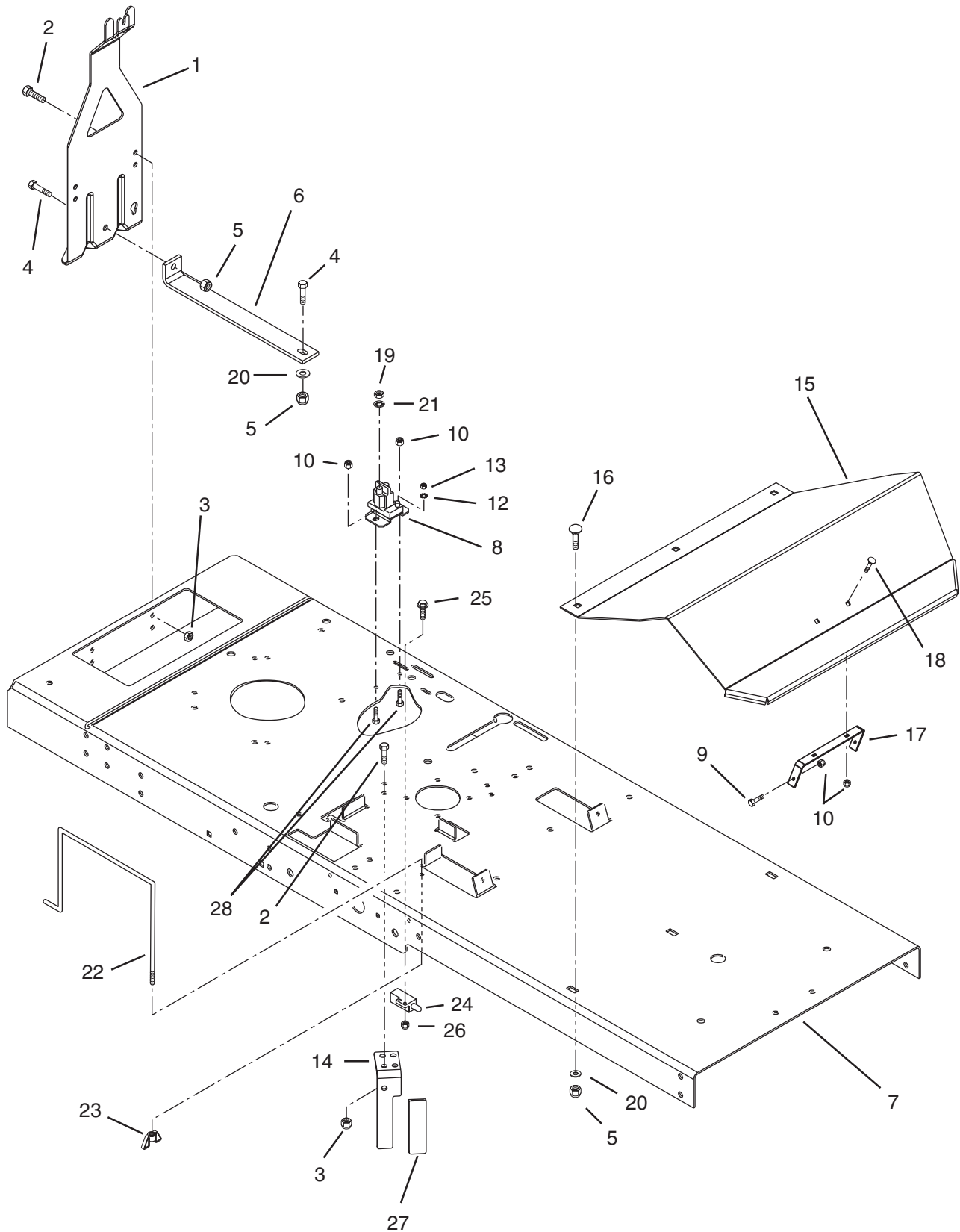
BELT IDLERS

Models 915008,009,010,304,305

Item No.	Part No.	Qty.	Description
1	01544900	1	Idler Arm, Clutch
2	05962300	2	Bolt-Hex .50-13 x 4.25 Grade 5
3	06442000	4	Washer-Flat-Steel .563 x 1.38 x .109
4	01544500	2	Idler Arm Spacer
5	06536300	2	Nut-Locking-Center .50-13
6	07012600	3	Fitting-Lube .25-20 x .256
7	08334700	3	Spring, Extension
8	05957800	2	Bolt-Hex .38-16 x 3.00 Grade 5
9	06529400	3	Nut-Hex .38-16
10	06529600	2	Nut-Locking-Center .38-16
11	07324700	1	Idler 4.0" Diameter
12	01544000	1	Spacer, Idler 40" (models with 40" decks)
	01544100	1	Spacer, Idler 48" (models with 48" decks)
13	05958400	1	Bolt-Hex .38-16 x 2.50
14	06436200	3	Washer-Flat-Steel .406 x .812 x .065
15	01543500	1	Idler Arm Weldment - Engine to Clutch
16	06445500	1	Washer-Hardened
17	01543400	1	Idler Arm Weldment Transaxle
18	07324600	2	Idler 3.5" Diameter
19	05957900	2	Bolt-Hex .38-16 x 1.50 Grade 5
20	06537200	2	Nut-Jam Lock .38-16

FRAME

Models 915008,009,010,304,305



PE0033

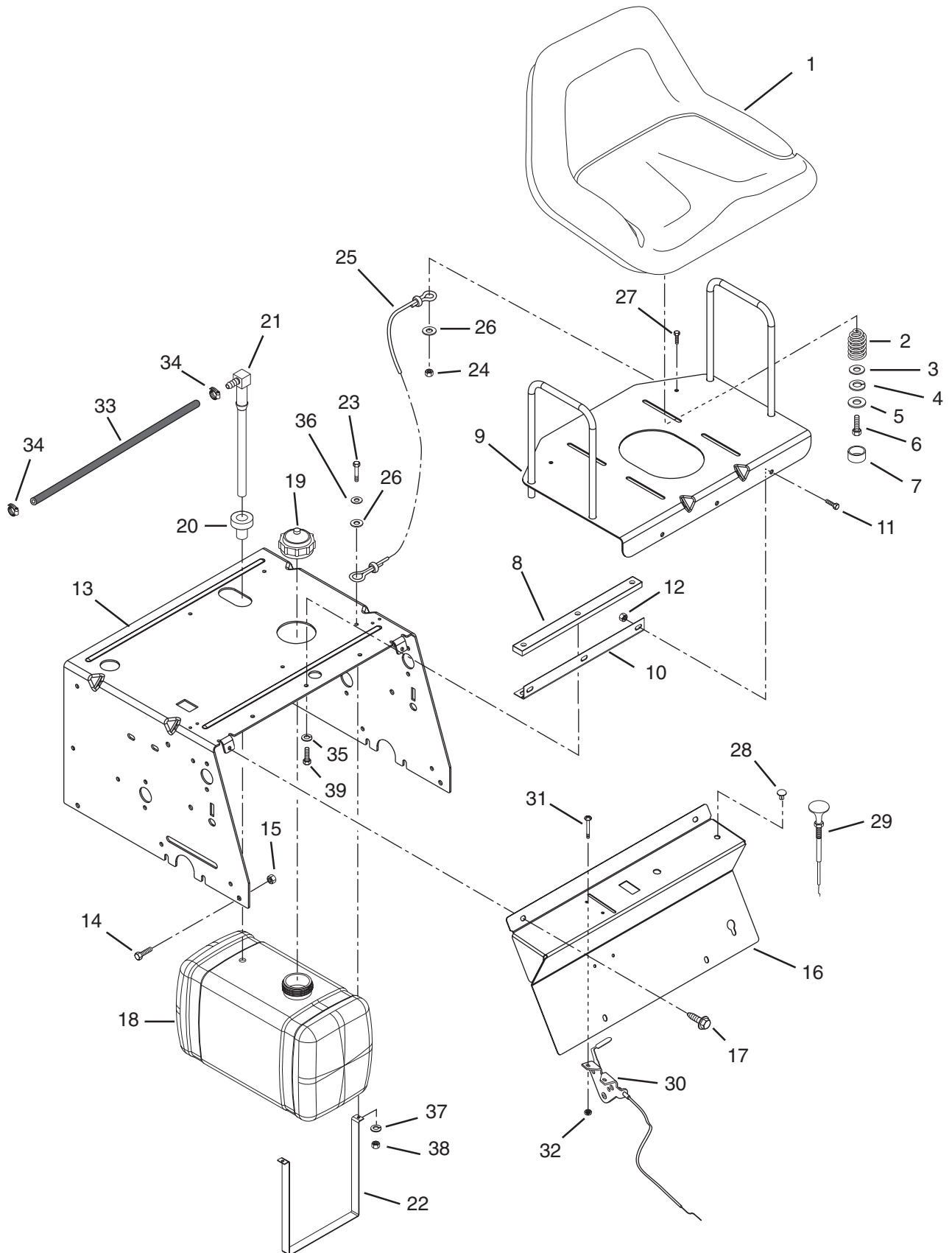
FRAME

Models 915008,009,010,304,305

Item No.	Part No.	Qty.	Description
1	01539600	1	Hitch, Trailer
2	05947000	6	Bolt-Hex .31-18 x .75 Grade 5
3	06529800	6	Nut-Locking-Center .312-18
4	05948700	2	Bolt-Hex .38-16 x 1.00 Grade 5
5	06529600	5	Nut-Locking-Center .38-16
6	01541200	1	Brace
7	01540700	1	Frame
8	03057700	1	Solenoid
9	05946800	2	Bolt-Hex .25-20 x .75 Grade 5
10	06529700	6	Nut-Locking-Center .250-20 Grade 2
11	05963300	1	Bolt-Hex .38-16 x 2.00 Grade 5
12	06310400	1	Washer-Lock-External #10 ID x .022
13	06536800	1	Nut 10-32
14	01543800	1	Clutch Stop
15	01538000	1	Foot Rest
16	06219600	3	Bolt-Round Head Square Neck .38-16 x 1.75 Grade 5
17	01526700	1	Bracket, Footrest
18	06220600	2	Bolt-Round Head Square Neck .25-20 x .50 Grade 5
19	06536700	2	Nut-Jam .312-24
20	06436200	4	Washer-Flat-Steel .406 x .812 x .065
21	06310500	2	Washer-Lock-Internal .31
22	01534400	1	Battery Rod
23	06537500	1	Nut-Locking-Wing .250-20
24	03657100	1	Switch-Single Pole N.O.
25	07049200	2	Bolt-Hex #10-24 Flat Washer Head
26	06536000	2	Nut-Locking-Nylon 10-24 with Insert
27	07509400	1	Grip
28	05947900	2	Bolt-Hex .25-20 x .50

SEAT, SUPPORT & FUEL TANK

Models 915008,009,010,304,305



PE0043

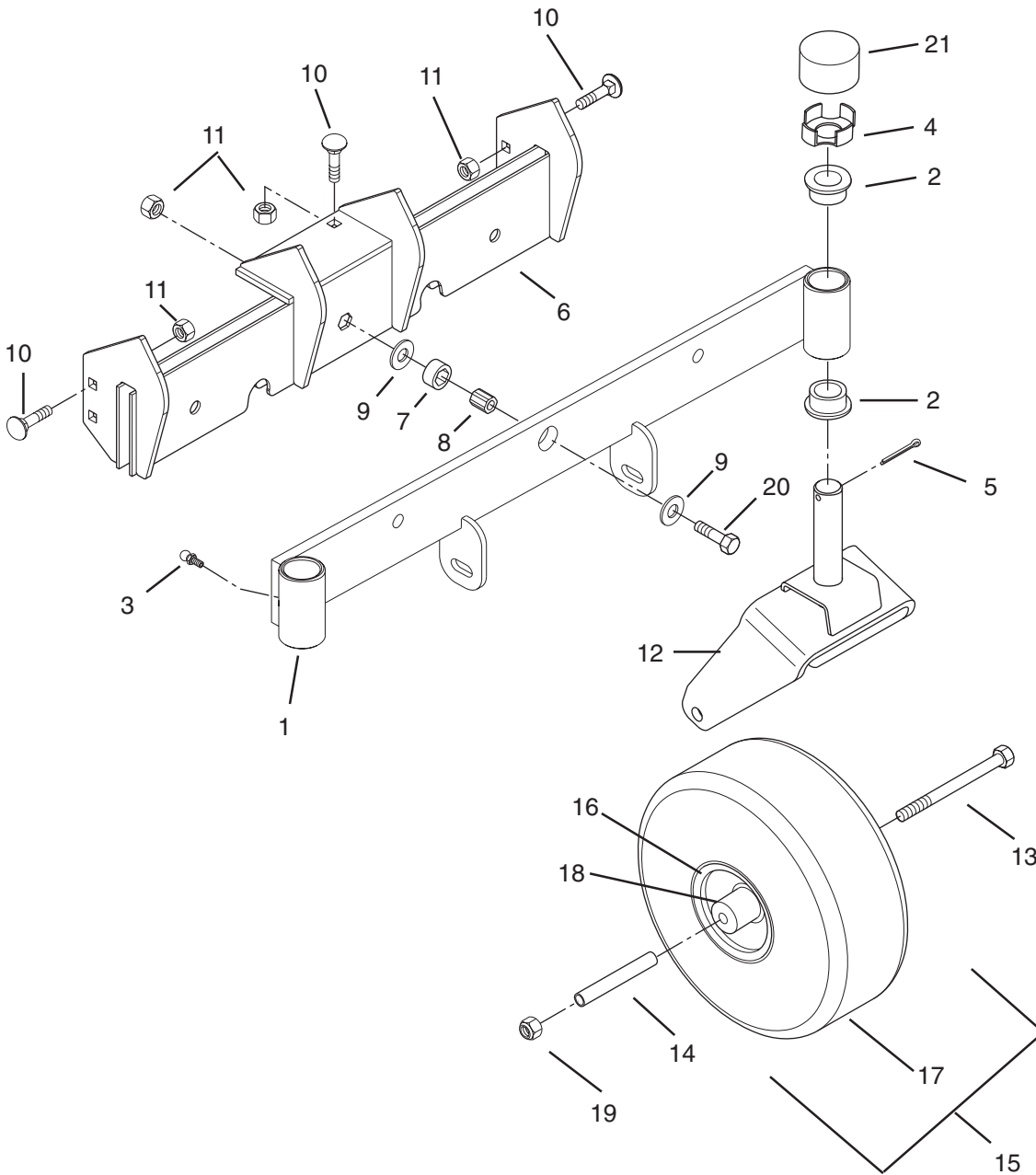
SEAT, SUPPORT & FUEL TANK

Models 915008,009,010,304,305

Item No.	Part No.	Qty.	Description
1	01522900	1	Seat
2	08328200	2	Spring-Compression .148 x 1.23 x 2.41
3	06437200	2	Washer-Flat-Steel .344 x .688 x .065
4	06308600	2	Washer-Lock .313 x .078
5	06439100	2	Washer-Flat-Steel .38 x .875 x .179
6	05946900	2	Bolt-Hex .31-18 x 1.00 Grade 5
7	07521600	2	Tube Cap
8	01539100	1	Plate, Clamping
9	01530500	1	Seat Plate
10	03102800	1	Hinge
11	05947000	3	Bolt-Hex .31-18 x .75 Grade 5
12	06529800	6	Nut-Locking-Center .312-18
13	01540800	1	Seat Support
14	05948700	4	Bolt-Hex .38-16 x 1.00 Grade 5
15	06529600	4	Nut-Locking .375-16 Grade A
16	01531200	1	Control Panel
17	07414400	4	Screw-Tapping .31-18 x .75
18	01522100	1	Fuel Tank
19	01538400	1	Fuel Cap
20	07511400	1	Bushing
21	08893600	1	Fitting, Tank
22	08835900	2	Strap, Fuel Tank
23	05967100	4	Bolt-Hex .25-20 x 2.00 Grade 5
24	06529700	1	Nut-Locking-Center .250-20
25	01537300	1	Seat Cable
26	06443700	2	Washer-Flat-Steel .328 x 1.0 x .094
27	05946800	1	Bolt-Hex .25-20 x .75 Grade 5
28	00529900	1	Hole Plug, Plastic .44 Hole (008,010,304)
29	06926100	1	Choke Control (009,305)
30	06937600	1	Cable, Throttle Control
31	06116700	2	Screw, Machine 10-24 x .50
32	06536000	2	Nut-Locking 10-24 Nylon
33	01525600	1	Hose, Fuel 22" Long (008,304)
	01528600	1	Hose, Fuel 6" Long (009,305)
	01525700	1	Hose, Fuel 14" Long (010)
34	06939100	2	Hose Clamp
35	06307400	3	Washer-Locking .312 x .097
36	06437300	4	Washer-Flat-Steel .281 x .62 x .065
37	06308400	4	Washer-Locking .25 x .062
38	06533200	4	Nut-Hex .25-20
39	05947200	3	Bolt-Hex .31-18 x .50

FRONT AXLE

Models 915008,009,010,304,305



PE0022

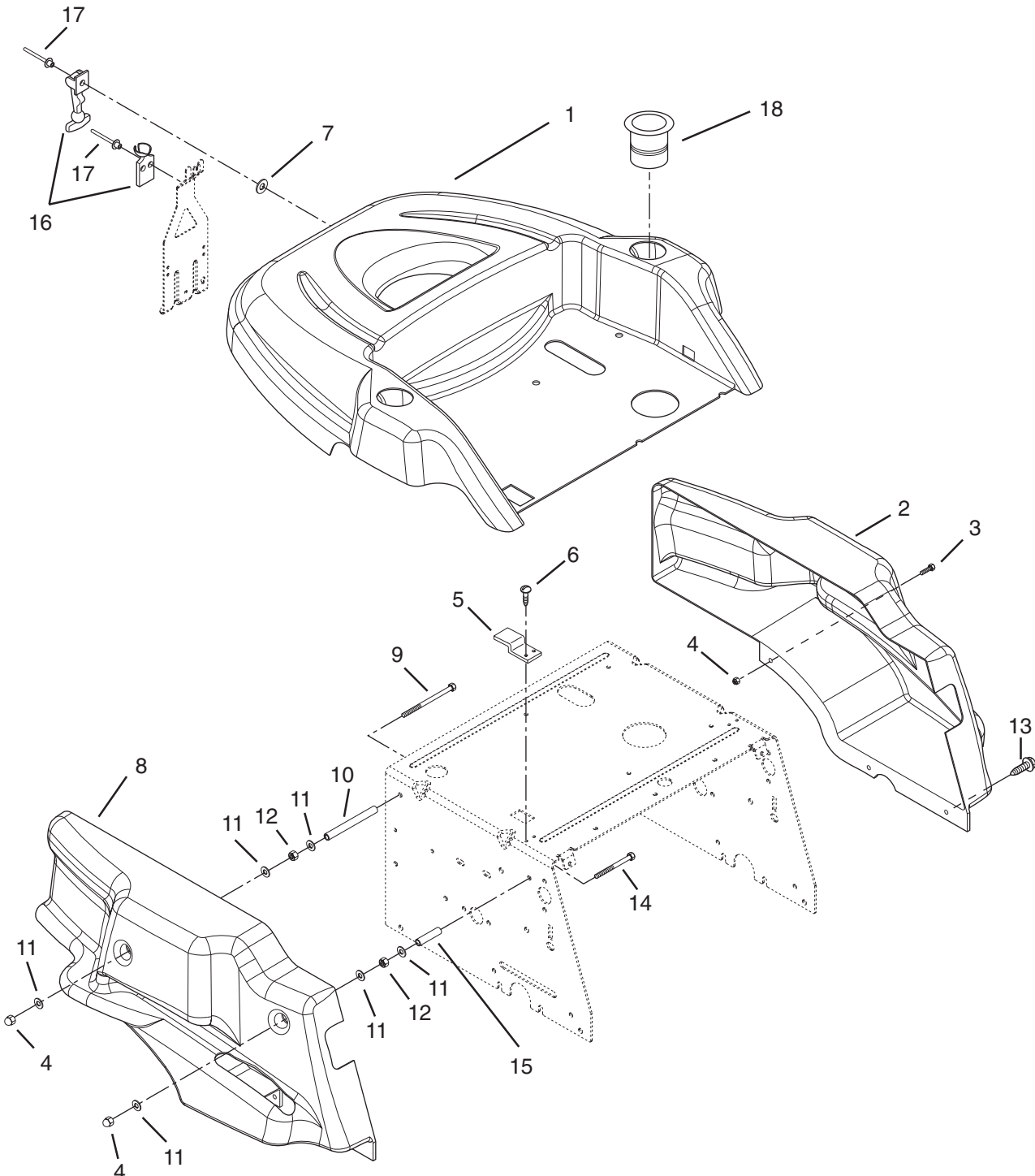
FRONT AXLE

Models 915008,009,010,304,305

Item No.	Part No.	Qty.	Description
1	01542900	1	Axle Weldment
2	05520100	4	Bushing-Flange 1.020 x 1.385 x .75 x 1.75
3	07012600	2	Fitting-Lube .25-28 x .256
4	01535100	2	Spindle Cup
5	06712800	5	Pin-Cotter .188 x 1.50
6	01538100	1	Axle Frame Weldment
7	05522000	1	Bushing-Sleeve .626 x 1.000 x .524
8	05522700	1	Bushing-Sleeve .377 x .623 x .775
9	06443400	2	Washer-Flat-Steel .38 x 1.50 x .125
10	06219600	6	Bolt-Round Head Square Neck .38-16 x .75 Grade 5
11	06529600	7	Nut-Locking-Center .375-16
12	01543000	2	Weldment, Caster Fork
13	05964400	2	Bolt-Hex .50-13 x 6.50
14	09105200	2	Bushing, Caster Fork
15	07144100	2	Wheel & Tire 11 x 4.00-5 (Contains Items 16-18)
16	07145200	1	Rim Assembly
17	07145300	1	Tire
18	07145400	1	Bearing
19	06536300	2	Nut-Locking-Center .50-13 Grade 5
20	05957900	1	Bolt-Hex .38-16 x 1.75 Grade 5
21	00337700	2	Hub Cap

COVER ASSEMBLY

Models 915008,009,010,304,305



PE0051

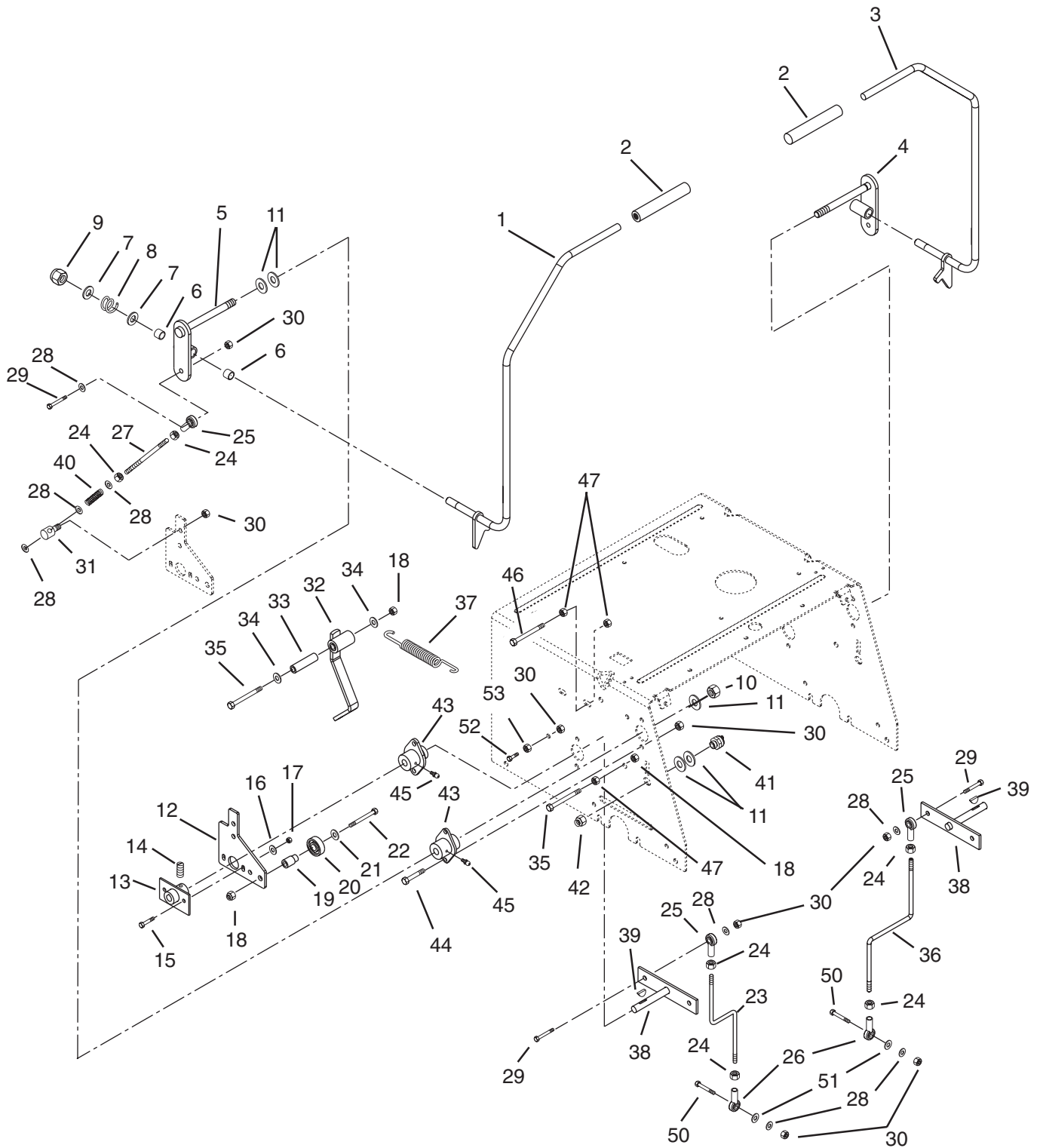
COVER ASSEMBLY

Models 915008,009,010,304,305

Item No.	Part No.	Qty.	Description
1	01537200	1	Shroud, Top
2	01537000	1	Shroud, Side Left Hand
3	05946900	2	Bolt-Hex .31-18 x 1.00 Grade 5
4	06530200	6	Nut-Locking-Nylock.312-18
5	01539400	2	Clip
6	07412000	4	Screw-Tapping .25-20 x .50
7	07010500	2	Rivet-Burr .125 x .505 x .048
8	01537100	1	Shroud, Side Right Hand
9	05957600	2	Bolt-Hex .31-18 x 5.50 Grade 5
10	01539200	2	Spacer
11	06437200	12	Washer-Flat-Steel .344 x .688 x .065
12	06529200	4	Nut-Hex .312-18
13	07414400	4	Screw-Tapping .312-18 x .75 Hex Washer Head
14	05962500	2	Bolt-Hex .31-18 x 3.00 Grade 5
15	01539300	2	Spacer
16	08704700	1	Latch, Flexible
17	06813700	3	Blind Rivet
18	01528500	2	Cupholder

CONTROLS

Models 915008,009,010,304,305



PE0103

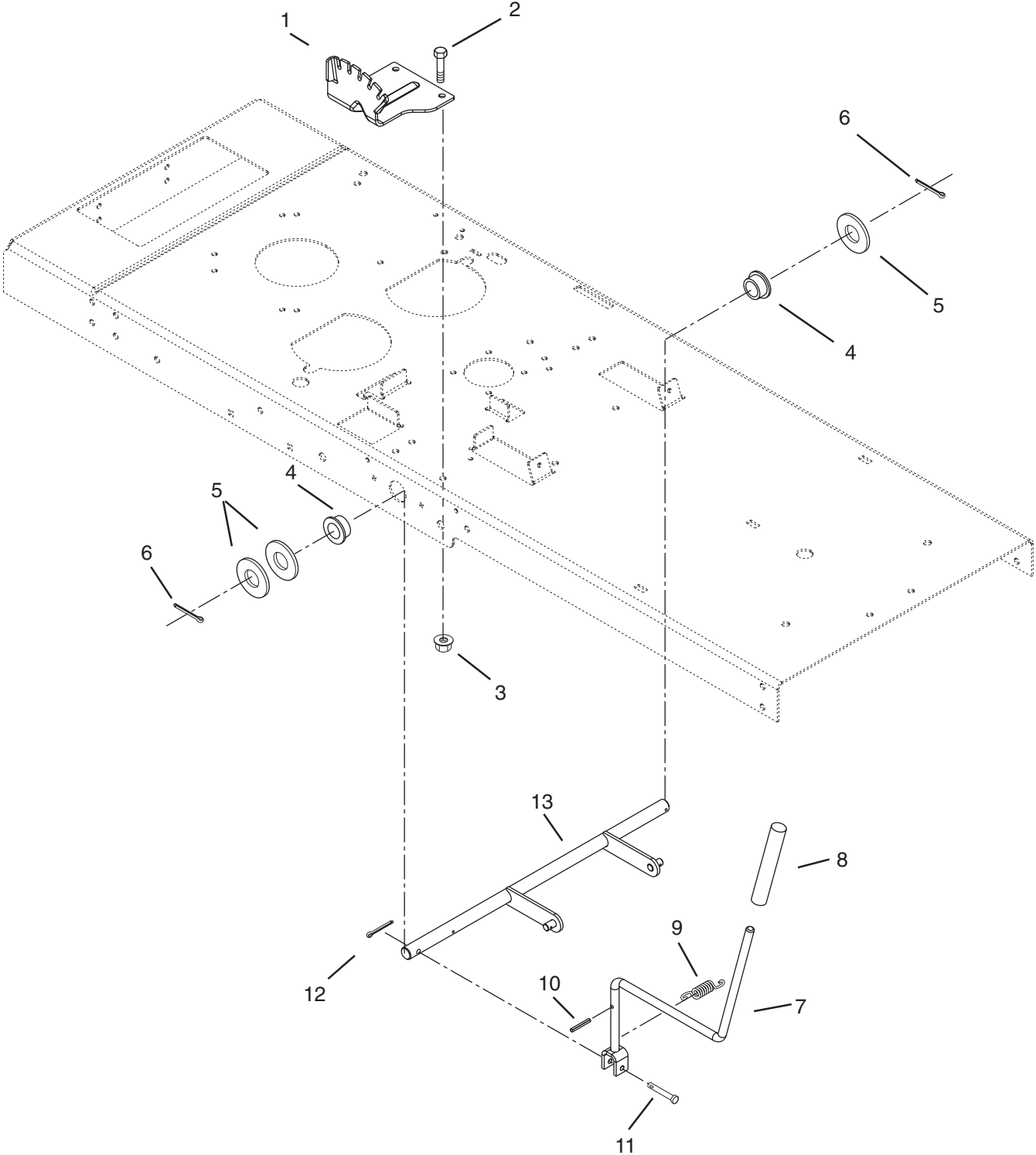
CONTROLS

Models 915008,009,010,304,305

Item No.	Part No.	Qty.	Description
1	01520800	1	Right Hand Steer-Control Lever
2	01522200	2	Grip
3	01520900	1	Weldment, Lever Left Hand
4	01538900	1	Weldment, Rod Left Hand
5	01538800	1	Weldment, Tube Right Hand
6	00510500	4	Bushing, Nylon .5 x .625 x .5
7	00515700	4	Washer, Plastic .12 x .53 x 1.12
8	00516200	2	Spring, Compression
9	06536300	3	Nut-Locking-Center .500-13
10	06530000	2	Nut-Locking .50-20
11	06442000	10	Washer-Flat-Steel .563 x 1.375 x .109
12	01539700	2	Arm, Speed Control
13	01525500	2	Arm, Speed Control
14	06000800	2	Screw-Set .25-20 x .38
15	05946800	4	Bolt-Hex .25-20 x .75 Grade 5
16	06437300	4	Washer-Flat-Steel .281 x .620 x .065
17	06529700	4	Nut-Locking .250-20
18	06535500	6	Nut-Locking .375-16
19	09107200	2	Hub, Bearing Mount
20	05407900	2	Bearing-Ball .500 x 1.375 x .437
21	06436200	2	Washer-Flat-Steel .406 x .812 x .065
22	05963300	2	Bolt-Hex .38-16 x 2.00 Grade 5
23	01539900	1	Rod, Transaxle Right Hand
24	06536700	8	Nut .312-24
25	08960700	4	Rod End, 5/16" Female
26	09107800	2	Rod End, 5/16-24 Left Hand, Female
27	01536000	2	Rod
28	06437200	12	Washer-Flat-Steel .344 x .688 x .065
29	05946900	2	Bolt-Hex .31-18 x 1.00 Grade 5
30	06529800	18	Nut-Locking-Center .312-18
31	01536100	2	Rod Pivot
32	09107400	2	Weldment, Neutral Detent
33	08831500	2	Bushing, Sleeve .385 x .610 x 1.80
34	06436200	4	Washer-Flat-Steel .406 x .812 x .065
35	05961400	4	Bolt-Hex .38-16 x 2.75 Grade 5
36	01539800	1	Rod, Transaxle Left Hand
37	08320200	2	Spring-Tension .085 x .60 x 5.13
38	01541100	2	Pump Weldment
39	06608600	2	Key-Woodruff .13 x .75
40	08333400	2	Spring
41	01526100	2	Switch, Neutral
42	07015100	2	Nut-Stamped .56-18
43	01522000	4	Bushing, Flanged
44	05947000	4	Bolt-Hex .31-18 x .75 Grade 5
45	07012600	4	Fitting-Lube .25-28 x .256
46	05935200	2	Bolt-Hex .38-16 x 3.00
47	06529400	6	Nut-Hex .375-16 Grade 2
48	01542800	AR	Rod Assembly, Transaxle Right Hand (Contains Item 23 and two each of Items 24,25)
49	01542700	AR	Rod Assembly, Transaxle Left Hand (Contains Item 36 and two each of Items 24,25)
50	05947500	2	Bolt-Hex .31-18 x 1.25 Grade 5
51	06439700	2	Washer-Flat-Steel .344 x 1.375 x .075
52	05957400	2	Bolt-Hex .31-18 x .75
53	06529200	2	Nut-Hex .31-18

ATTACHMENT LIFT

Models 915008,009,010,304,305



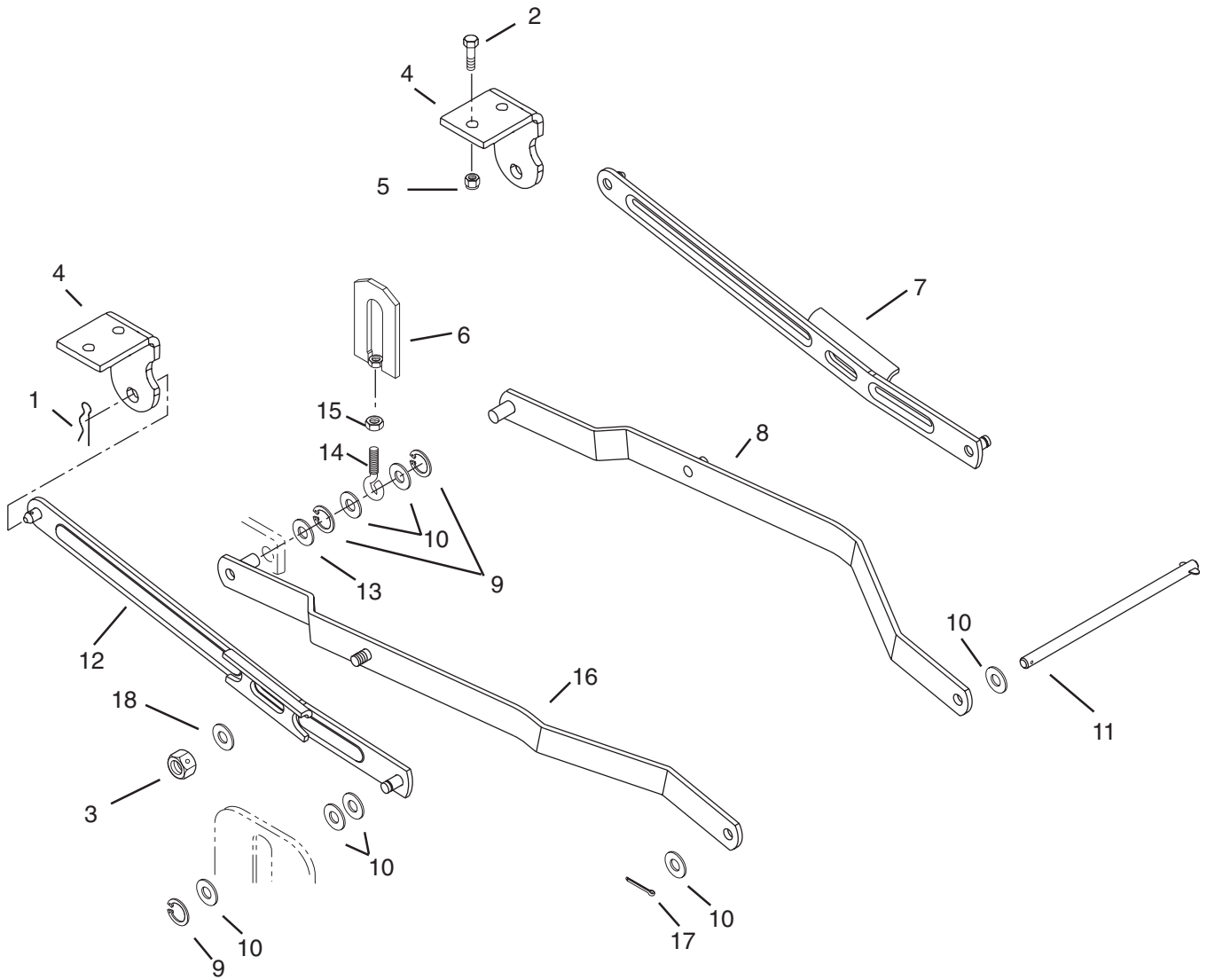
ATTACHMENT LIFT

Models 915008,009,010,304,305

Item No.	Part No.	Qty.	Description
1	01530800	1	Detent Plate
2	05948700	2	Bolt-Hex .38-16 x 1.00 Grade 5
3	06529600	2	Nut-Locking-Center .375-16
4	05520100	2	Bushing-Flange 1.020 x 1.385 x .75 x 1.75
5	06430000	3	Washer-Flat-Steel 1.062 x 2.000 x .134
6	06712800	2	Pin-Cotter .188 x 1.50
7	01532000	1	Lift Lever Weldment
8	07527500	1	Grip
9	08322900	1	Spring-Tension .120 x 1.0 x 4.46
10	05800600	1	Pin-Roll .250 x 1.00
11	06813300	1	Clevis Pin
12	06707100	1	Pin-Cotter .12 x 1.0
13	015275 00	1	Lift Shaft Weldment

HANGER ARM

Models 915008,009,010,304,305



PE0111

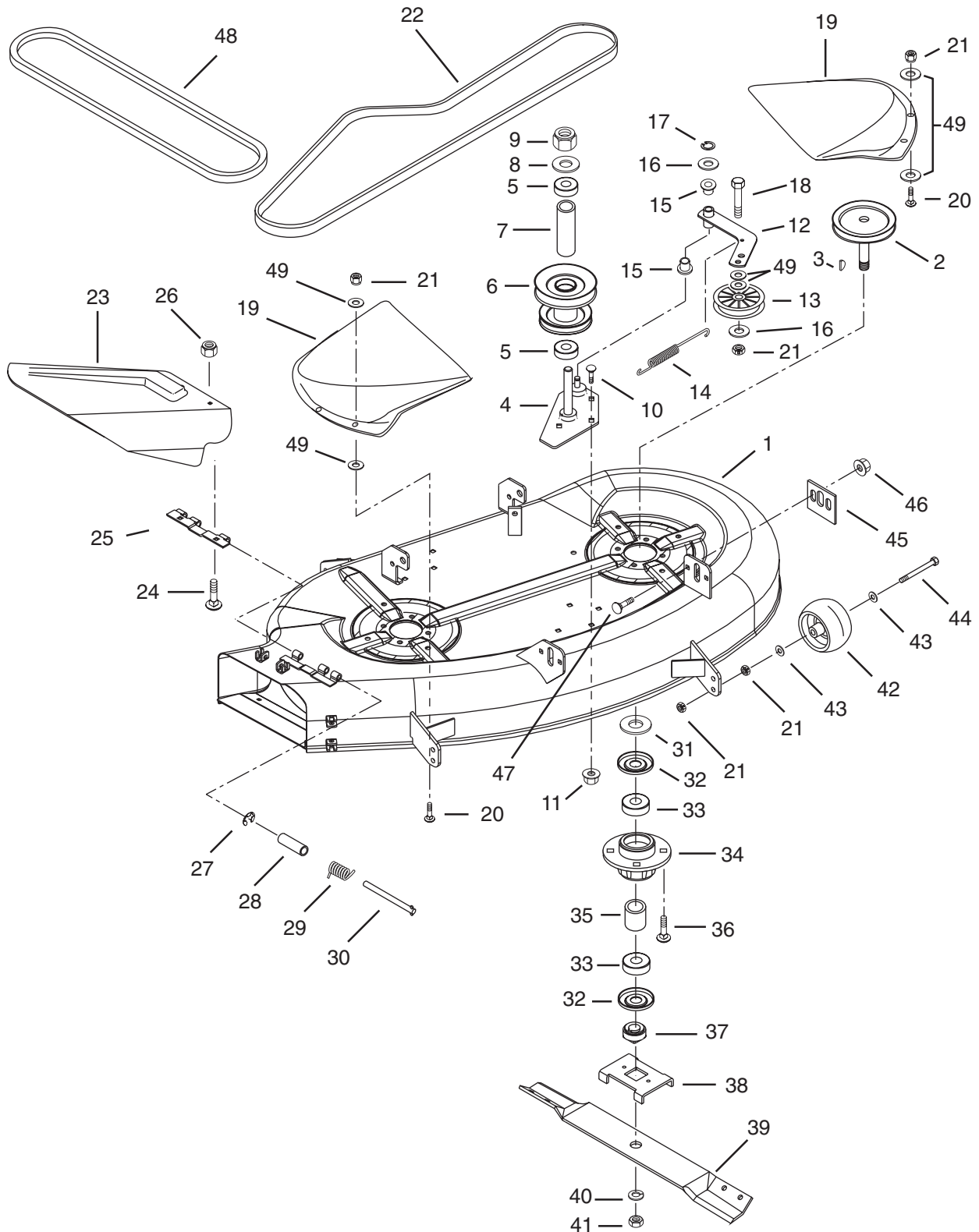
HANGER ARM

Models 915008,009,010,304,305

Item No.	Part No.	Qty.	Description
1	06711900	2	Pin-Hair External .12 x .31 x 2.37
2	05959400	4	Bolt-Hex .38-16 x .75 Grade 5
3	06535300	2	Nut-Locking-Center .625-11
4	01519500	2	Rear Hanger
5	06535500	4	Nut-Locking-Center .375-16
6	03486400	2	Adjuster Link
7	01534900	1	Rear Hanger, Left Hand
8	01534700	1	Left Hand Lift Arm
9	05717100	6	Ring-Retaining-External .500 x .050
10	06442800	12	Washer-Flat-Steel .656 x .312 x .095
11	01535900	1	Pin
12	01535000	1	Rear Hanger, Right Hand
13	06441900	2	Washer-Flat-Steel .531 x 1.06 x .095
14	01538700	2	Hanger (008,010,304)
	07030000	2	Hanger (009,305)
15	06535900	2	Nut-Jam .375-16
16	01534800	1	Right Hand Lift Arm
17	06707100	1	Pin-Cotter .12 x 1.0
18	06442800	2	Washer-Flat-Steel .656 x 1.31 x .095

40" ROTARY MOWER

Models 915008,010,304



PE0134

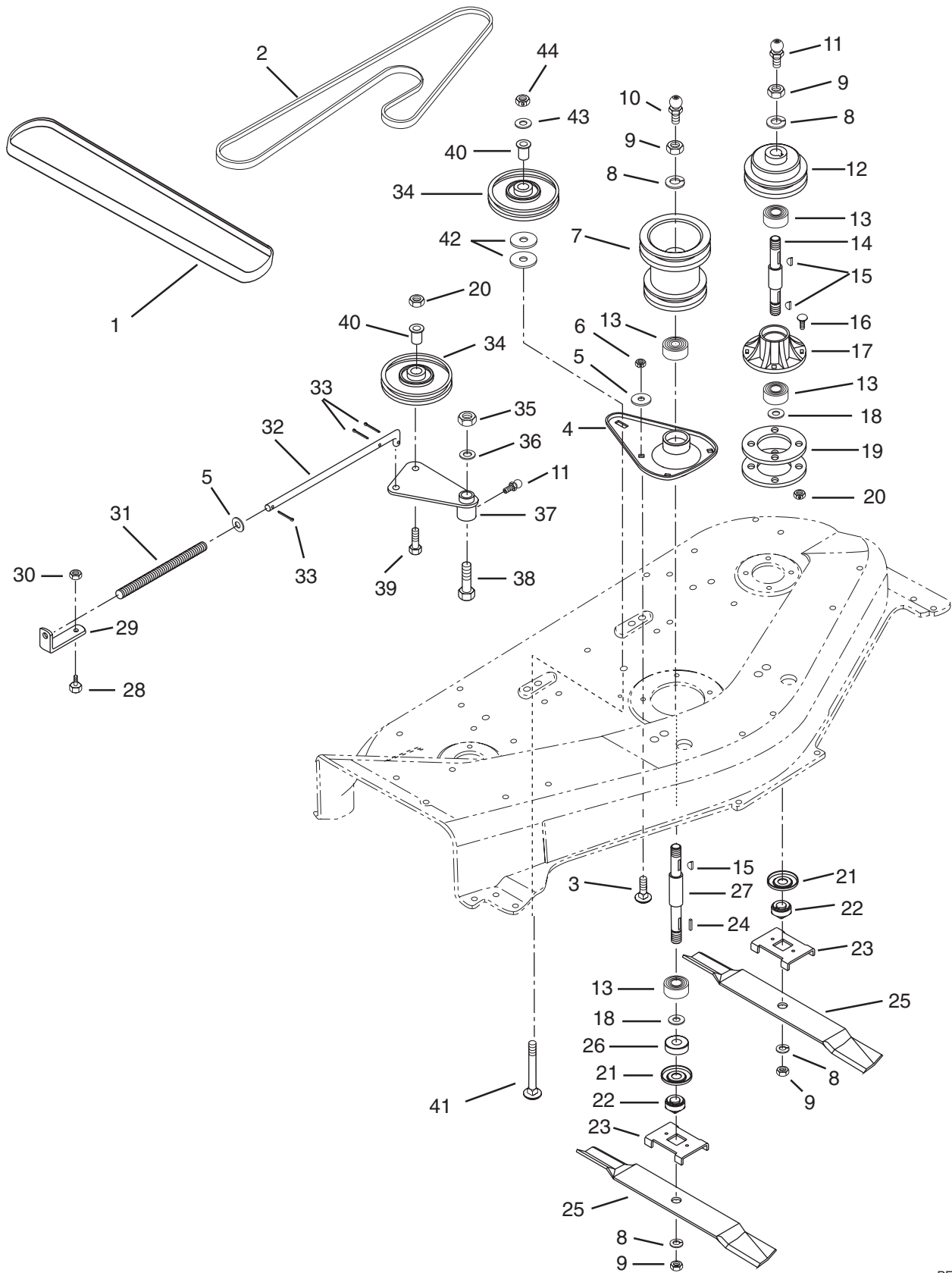
40" ROTARY MOWER

Models 915008,010,304

Item No.	Part No.	Qty.	Description
1	51500100	1	40" Mower Deck w/Decals
	51500200	1	40" Mower Deck Assembly Complete
2	01543200	2	Spindle Sheave
3	06604200	2	Key-Woodruff .188 x .625 x .31
4	03624900	1	Mount Plate 40"
5	05403900	2	Bearing-Ball .625 x 1.375 x .44
6	03602200	1	Jackshaft Pulley
7	03615500	1	Spacer .640 x .880 x 2.768
8	06436100	1	Washer-Flat-Steel .640 x 1.005 x .062
9	06530300	1	Nut-Locking-Nylon .625-18
10	06212200	4	Bolt-Round Head Square Neck .31-18 x .62-Short Neck
11	06530400	4	Nut-Locking-Flange .312-18
12	01535200	1	Idler Arm
13	07324600	1	Idler
14	08329000	1	Spring-Tension .113 x .812 x 7.000
15	05503700	2	Bushing-Flange .500 x .625 x .312 x .750
16	06436600	2	Washer-Flat-Steel .505 x .880 x .072
17	05710200	1	Ring-Retaining-External .500 x .042
18	05958500	1	Bolt-Hex .38-16 x 1.75 Grade 5
19	01520100	2	Cover
20	05948700	4	Bolt-Hex .38-16 x 1.0 Grade 5
21	06529600	18	Nut-Locking-Center .375-16
22	07234200	1	Belt, 40" Deck
23	03609800	1	40 In Deflector
24	06214300	2	Bolt-Round Head Square Neck .25-20 x .50
25	02709500	1	Hinge Plate
26	06530100	2	Nut-Locking-Flange .250-20
27	05706300	1	Ring-Retaining-External .313 x .025
28	02202900	1	Bushing
29	08307200	1	Spring-Torsion .095 x .50 x 1.0
30	03624200	1	Pin
31	06444200	2	Washer-Flat-Steel .755 x 1.250 x .125
32	00341900	4	Bearing Slinger
33	05412000	4	Bearing-Ball .750 x 1.781 x .61
34	03625000	2	Spindle Housing
35	02526400	2	Spacer .751 x 1.000 x 1.140
36	06215500	8	Bolt-Round Head Square Neck .38-16 x 1.00
37	03037500	2	Retainer Hub
38	03485500	2	Blade Tray 48
39	03624700	2	Blade (008,010)
	03611100	2	Blade (304)
40	06310300	2	Washer-Lock .750 x .188
41	06537700	2	Nut-Jam .75-10
42	02745400	4	Roller
43	06435700	8	Washer-Flat-Steel .38 x .875 x .083
44	05960900	4	Bolt-Hex .38-16 x 3.50 Grade 5
45	01528700	2	Mower Adjustment Tab
46	06530400	4	Nut-Locking-Flange .312-18
47	06214100	4	Bolt-Round Head Square Neck .31-18 x .75
48	07234300	1	Belt 40" Clutch to Deck
49	06436200	11	Washer-Flat-Steel .406 x .812 x .065

48" MOWER SPINDLE

Models 915009,305



PE0181

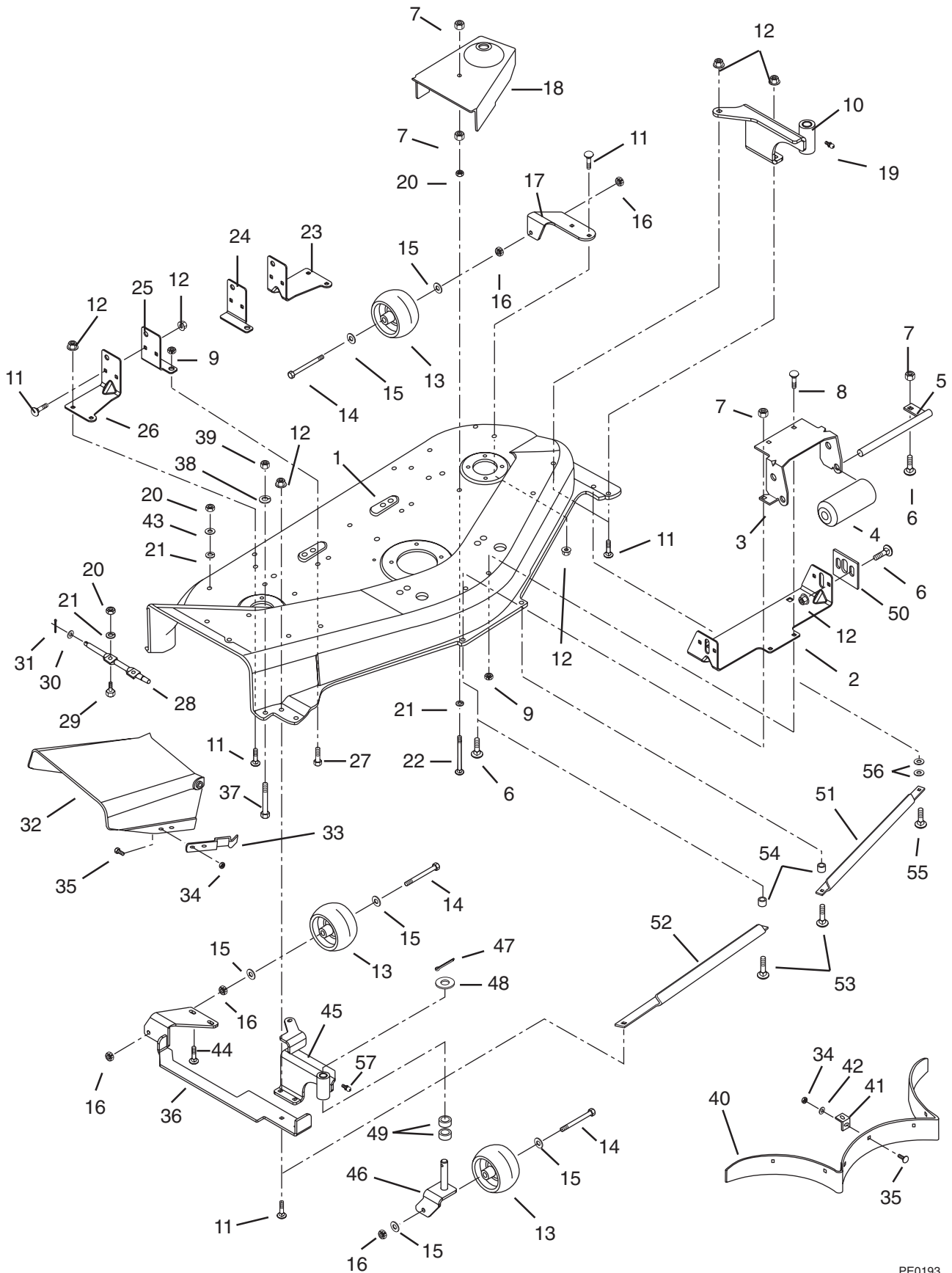
48" MOWER SPINDLE

Model 915009,305

Item No.	Part No.	Qty.	Description
1	07234500	1	Belt, 48" Clutch to Deck
2	07234400	1	Belt, 48" EZR Deck
3	06219600	5	Bolt-Round Head Square Neck .38-16 x .75
4	03434900	1	Housing, Spindle
5	06436200	2	Washer-Flat-Steel .406 x .812 x .065
6	06529600	5	Nut-Locking-Center .375-16
7	01543300	1	Sheave, 48" Deck
8	06310300	6	Washer-Lock .750 x .188
9	06537700	6	Nut-Jam .75-10
10	07012500	1	Fitting, Lube .125
11	07012600	3	Fitting, Lube .25-28 x .256
12	03401800	2	Sheave
13	05412000	6	Bearing-Ball .750 x 1.781 x .61
14	53115100	2	Spindle Shaft w/Zerk
15	06601400	5	Key-Woodruff .188 x .62 x .25
16	06219600	8	Bolt-Round Head Square Neck .38-16 x .75
17	03433500	2	Spindle Housing
18	06444100	5	Washer-Flat-Steel .754 x 1.000 x .032
19	03433600	4	Spacer, Spindle
20	06537200	9	Nut-Locking-Jam- .375-16
21	00341900	3	Bearing Slinger
22	03037500	3	Retainer Hub
23	03485500	3	Blade Tray 48
24	06601700	1	Key-Square .188 x .625 x .188
25	03123759	3	Blade
26	06444200	1	Washer-Flat-Steel .755 x 1.250 x .125
27	53402400	1	Spindle Shaft w/Zerk & Key
28	05947200	1	Bolt-Hex .31-18 x .50 Grade 5
29	03418800	1	Bracket
30	06529800	1	Nut-Locking-Center .312-18
31	08301800	1	Spring-Compression .106 x .63 x 12.0
32	03433900	1	Rod-Idler Spring
33	06706900	3	Pin-Cotter .09 x .75
34	00542700	2	Idler-Plastic 4.75 OD x .50 ID
35	06536300	1	Nut-Locking-Center .50-13
36	06436600	1	Washer-Flat-Steel .505 x .880 x .072
37	53401000	1	Idler Arm w/Zerk
38	05962000	1	Bolt-Hex .50-13 x 1.50
39	07006300	1	Bolt-Button Head .38-16 x 1.25 Grade 5
40	03114500	2	Spacer-Flanged .390 x .500 x .781 x .875
41	06220500	1	Bolt-Round Head Square Neck .38-16 x 2.00
42	06441700	2	Washer-Hardened-Throttle .390 x 1.50 x 1.25
43	06435700	1	Washer-Flat-Steel .38 x .875 x .083
44	06535500	1	Nut-Locking-Center .375-16

48" MOWER PAN

Models 915009,305



PE0193

48" MOWER PAN

Model 915009,305

Item No.	Part No.	Qty.	Description
1	53401700	1	Mower Pan Head w/Decals 48"
2	01521200	1	Front Hanger
3	03435100	1	Bracket, Roller
4	03114100	1	Roller
5	03435200	1	Roller Shaft
6	06215700	6	Bolt-Round Head Square Neck .31-18 x .75 Grade 5
7	06529800	9	Nut-Locking-Center .312-18
8	06208300	2	Bolt-Round Head Square Neck .50-13 x .75 - Short Neck
9	06536300	3	Nut-Locking-Center .50-13 Grade 5
10	01535600	1	Weldment-Left Front
11	06214100	10	Bolt-Round Head Square Neck .31-18 x .75
	06214100	9	Bolt-Round Head Square Neck .31-18 x .75
12	06530400	14	Nut-Locking-Flange .312-18
13	02745400	4	Roller
14	05960900	4	Bolt-Hex .38-16 x 3.50 Grade 5
15	06435700	8	Washer-Flat-Steel .38 x .875 x .083
16	06529600	6	Nut-Locking-Center .375-16
17	01535300	1	Bracket-Left Rear
18	03095800	1	Belt Cover Right Hand 48"
	03095900	1	Belt Cover Left Hand 48"
19	07012600	2	Fitting-Lube .25-20 x .256
20	06529200	6	Nut-Locking .312-18
21	06307400	6	Washer-Lock .312 x .097
22	06208700	2	Bolt-Round Head Square Neck .31-18 x 3.25 - Short Neck
23	01535800	1	Left Hand Rear Hanger
24	01521600	1	Left Hand Rear Hanger Support
25	01521400	1	Right Hand Rear Hanger Support
26	01535700	1	Right Hand Rear Hanger
27	05947100	1	Bolt-Hex .50-13 x 1.00 Grade 5
28	03405800	1	Hinge Pin
29	05947000	2	Bolt-Hex .31 x .75 Grade 5
30	06436200	1	Washer-Flat-Steel .406 x .812 x .065
31	06706900	1	Pin-Cotter .09 x .75
32	03034900	1	Chute Extension
33	00318500	1	Flat Spring
34	06529700	9	Nut-Locking-Center .250-20
35	06214300	9	Bolt-Round Head Square Neck .25-20 x .50
36	01535400	1	Weldment-Right Rear
37	05958400	1	Bolt-Hex .38-16 x 2.50 Grade 5
38	06306500	1	Washer-Lock .375 x .155
39	06529400	1	Nut-Hex .375-16
40	03434259	1	Baffle
41	03434300	7	Baffle Tab
42	06437300	7	Washer-Flat-Steel .281 x .620 x .065
43	06435800	2	Washer-Flat-Steel .312 x .734 x .065
44	06216100	2	Bolt-Round Head Square Neck .312-18 x 1.00 Grade 5
45	01535500	1	Weldment-Right Front
46	01534600	2	Caster Fork Weldment
47	06712700	2	Pin-Cotter .18 x 1.25
48	06436100	2	Washer-Flat-Steel .630 x 1.005 x .062
49	05504700	4	Bushing-Sleeve .625 x .750 x .500
50	01528700	2	Mower Adjustment Tab

48" MOWER PAN

Model 915009,305

Item No.	Part No.	Qty.	Description
51	03667200	1	Guard-Foot-Left Hand (305)
52	03667300	1	Guard-Foot-Right Hand (305)
53	06212100	2	Bolt-Round Head Square Neck .31-18 x 1.50 Grade 5
54	01529600	2	Spacer .375 x .688 x .500 (302)
55	06219200	1	Bolt-Round Head Square Neck .31-18 x 1.25 (305)
56	06444300	2	Washer-Flat-Steel .390 x .750 x .125 (305)

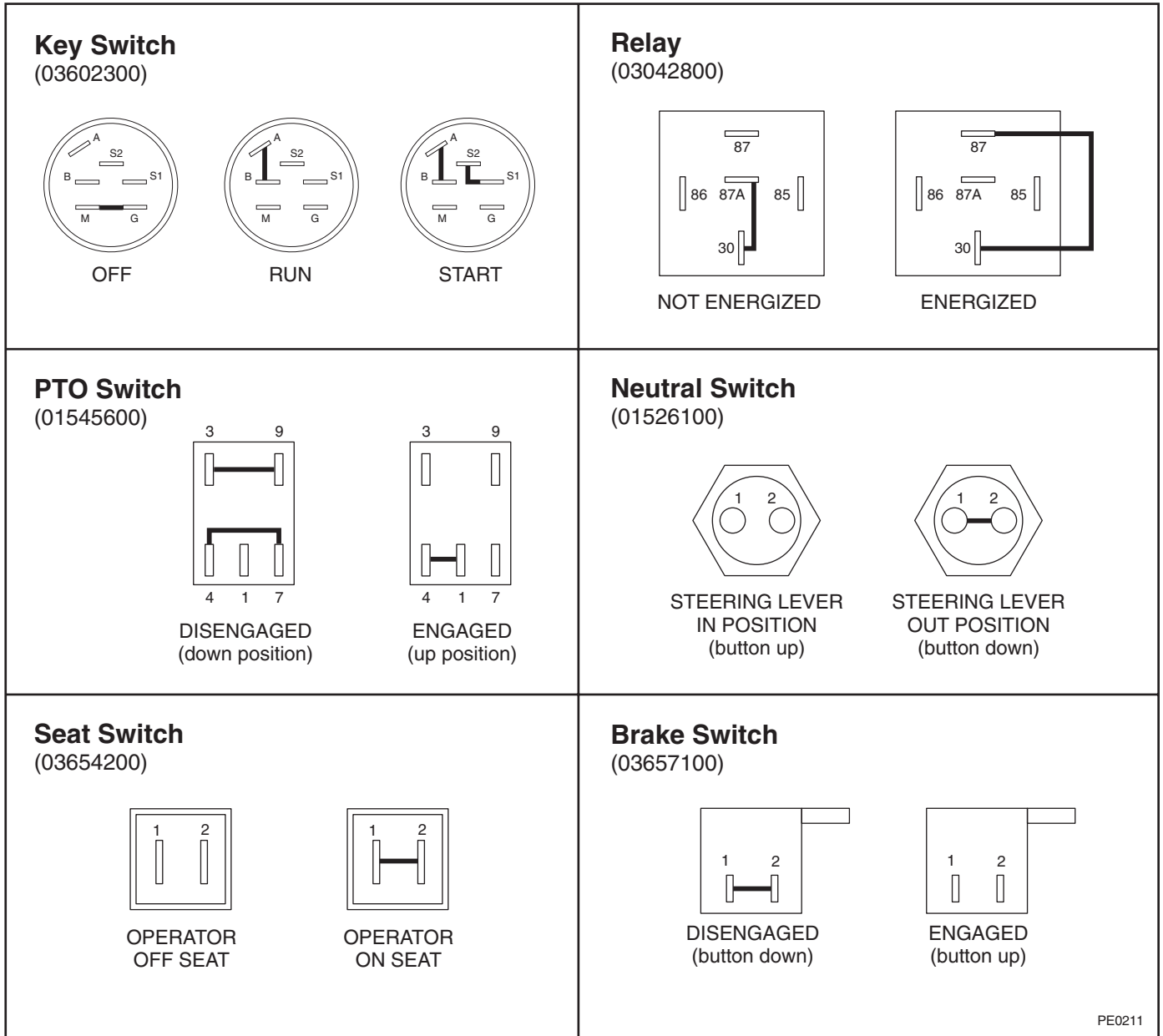
CONTINUITY DIAGRAMS

Models 915008,009,010,304,305

The diagrams below show the various states of connection for electrical components.

The solid lines on switches show continuity.

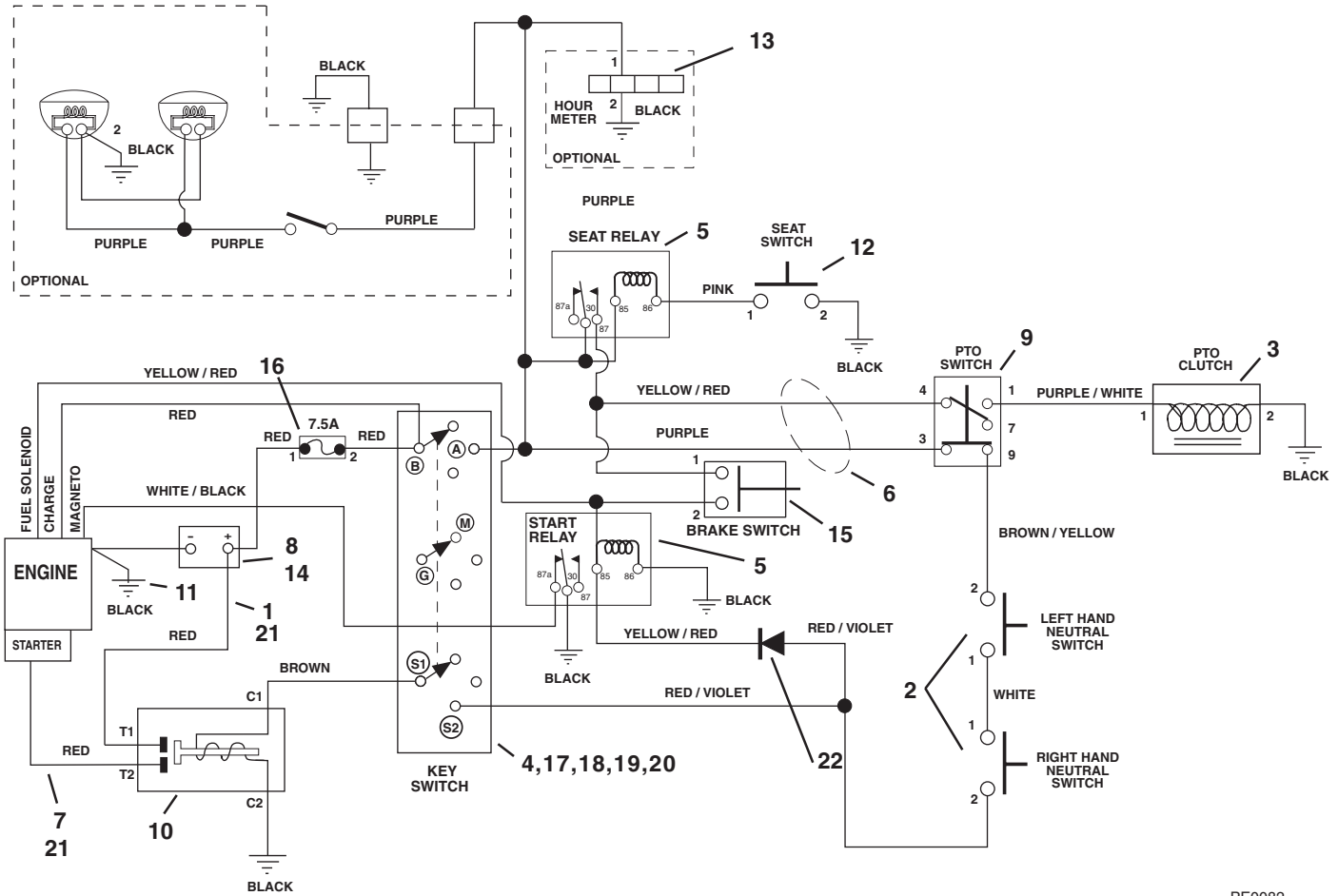
NOTE: All switches are viewed from the rear.



PE0211

ELECTRICAL - 15 HP BRIGGS & STRATTON

Models 915008,304

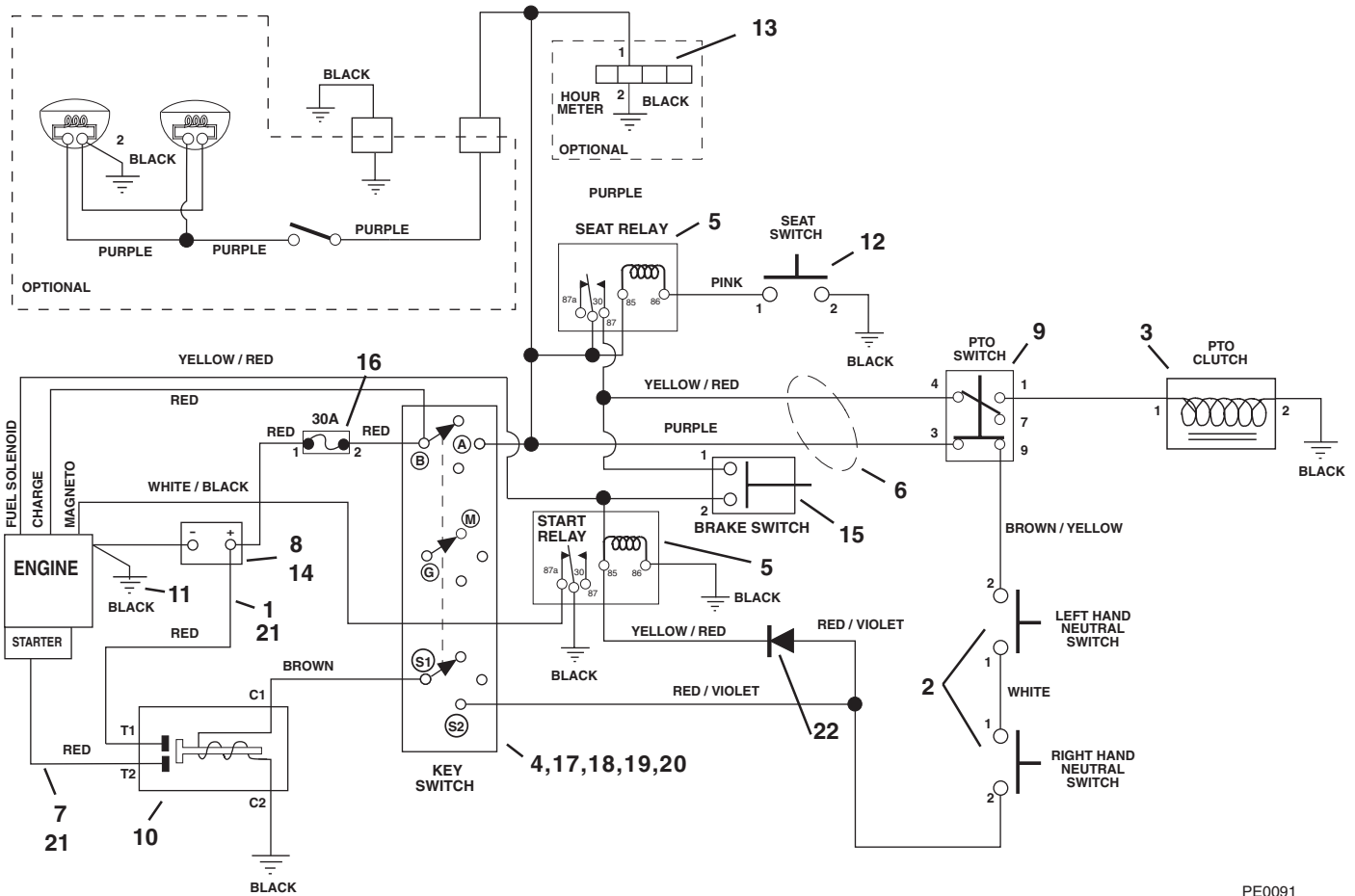


PE0082

Item No.	Part No.	Qty.	Description
1	08987000	1	Cable, Battery to Solenoid
2	01526100	2	Switch, Neutral
3	03601800	1	Electric Clutch/Brake
4	03602300	1	Key Switch
5	03042800	2	Relay
6	01536500	1	Wire Harness - 1540
7	00145900	1	Start Cable 6.75"
8	03621100	1	Battery w/Tube
9	01545600	1	Switch, Clutch With Retainer Ring
10	03057700	1	Solenoid
11	03111100	1	Ground Cable
12	03654200	1	Switch-Seat
13	03492700	1	Hour Meter (Optional)
15	03657100	1	Switch, Brake
14	02530700	1	Rubber Pad
15	03657100	1	Switch, Brake
16		1	30 AMP Fuse
17	02460700	1	Key-w/Cap
18	07517700	1	Cap - Ignition Switch
19	06517400	1	Nut-Panel .562-24
20	06302900	1	Washer-Lock Internal .563 x .040
21	03384700	4	Boot, Insulator
22	03081700	1	Molded Diode, Plug

ELECTRICAL - 16 HP BRIGGS & STRATTON

Models 915009,305

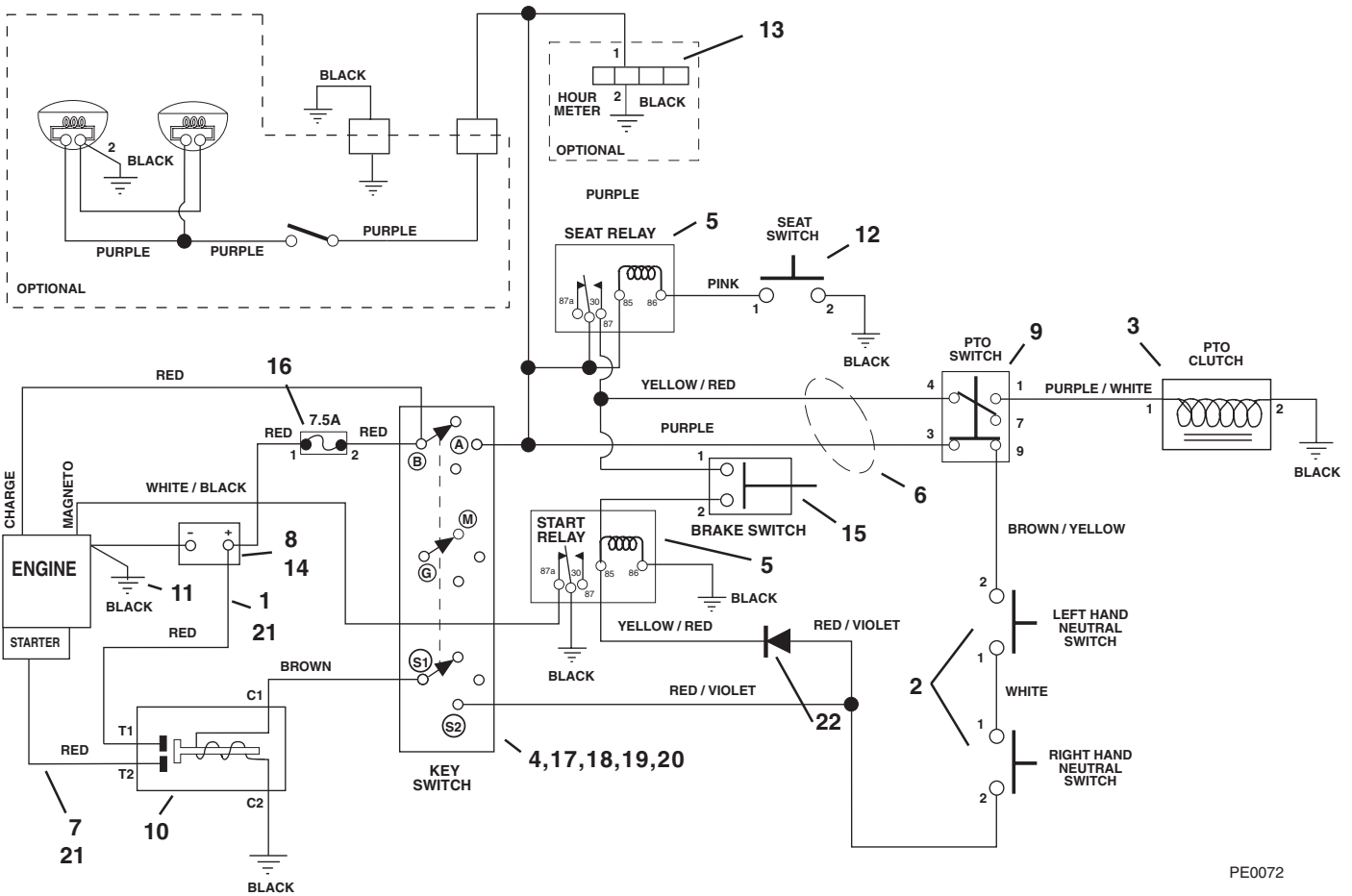


PE0091

Item No.	Part No.	Qty.	Description
1	08987000	1	Cable, Battery to Solenoid
2	01526100	2	Switch, Neutral
3	03357900	1	Clutch, Electric
4	03602300	1	Key Switch
5	03042800	2	Relay
6	01536800	1	Wire Harness 1648
7	02743300	1	Start Cable 22"
8	03621100	1	Battery w/Tube
9	01545600	1	Switch, Clutch With Retainer Ring
10	03057700	1	Solenoid
11	03111100	1	Ground Cable
12	03654200	1	Switch-Seat
13	03492700	1	Hour Meter (Optional)
14	02530700	1	Rubber Pad
15	03657100	1	Switch, Brake
16		1	30 AMP Fuse
17	02460700	1	Key-w/Cap
18	07517700	1	Cap - Ignition Switch
19	06517400	1	Nut-Panel .562 x .040
20	06302900	1	Washer-Lock Internal .563 x .040
21	03384700	4	Boot, Insulator
22	03081700	1	Molded Diode, Plug

ELECTRICAL - 15 HP KOHLER

Model 915010



PE0072

Item No.	Part No.	Qty.	Description
1	08987000	1	Cable, Battery to Solenoid
2	01526100	2	Switch, Neutral
3	03357900	1	Clutch, Electric
4	03602300	1	Key Switch
5	03042800	2	Relay
6	01536600	1	Wire Harness 1540
7	02743300	1	Start Cable 22"
8	03621100	1	Battery w/Tube
9	01545600	1	Switch, Clutch With Retainer Ring
10	03057700	1	Solenoid
11	03111100	1	Ground Cable
12	03654200	1	Switch-Seat
13	03492700	1	Hour Meter (Optional)
14	02530700	1	Rubber Pad
15	03657100	1	Switch, Brake
16		1	30 AMP Fuse
17	02460700	1	Key-w/Cap
18	07517700	1	Cap - Ignition Switch
19	06517400	1	Nut-Panel .562-24
20	06302900	1	Washer-Lock Internal .563 x .040
21	03384700	4	Boot, Insulator
22	03081700	1	Molded Diode, Plug

Ariens®

655 West Ryan Street • P.O. Box 157 • Brillion, WI 54110-0157 • 920-756-2141 • Fax 920-756-4421



***Ask Your Dealer For Information On
These Other Fine Ariens Products***

- **Front and Rear Tine Tillers**
- **Walk-Behind Lawn Mowers**
- **Zero-Turning Radius Mowers**
- **Rear Engine Riding Mowers**
- **Yard and Garden Tractors**
- **Commercial Walk-Behind and Riding Mowers**
- **Sno-Thros**